

ELECTRICAL SYSTEM

SECTION **EL**

When you read wiring diagrams:

- Read GI section, “HOW TO READ WIRING DIAGRAMS”.

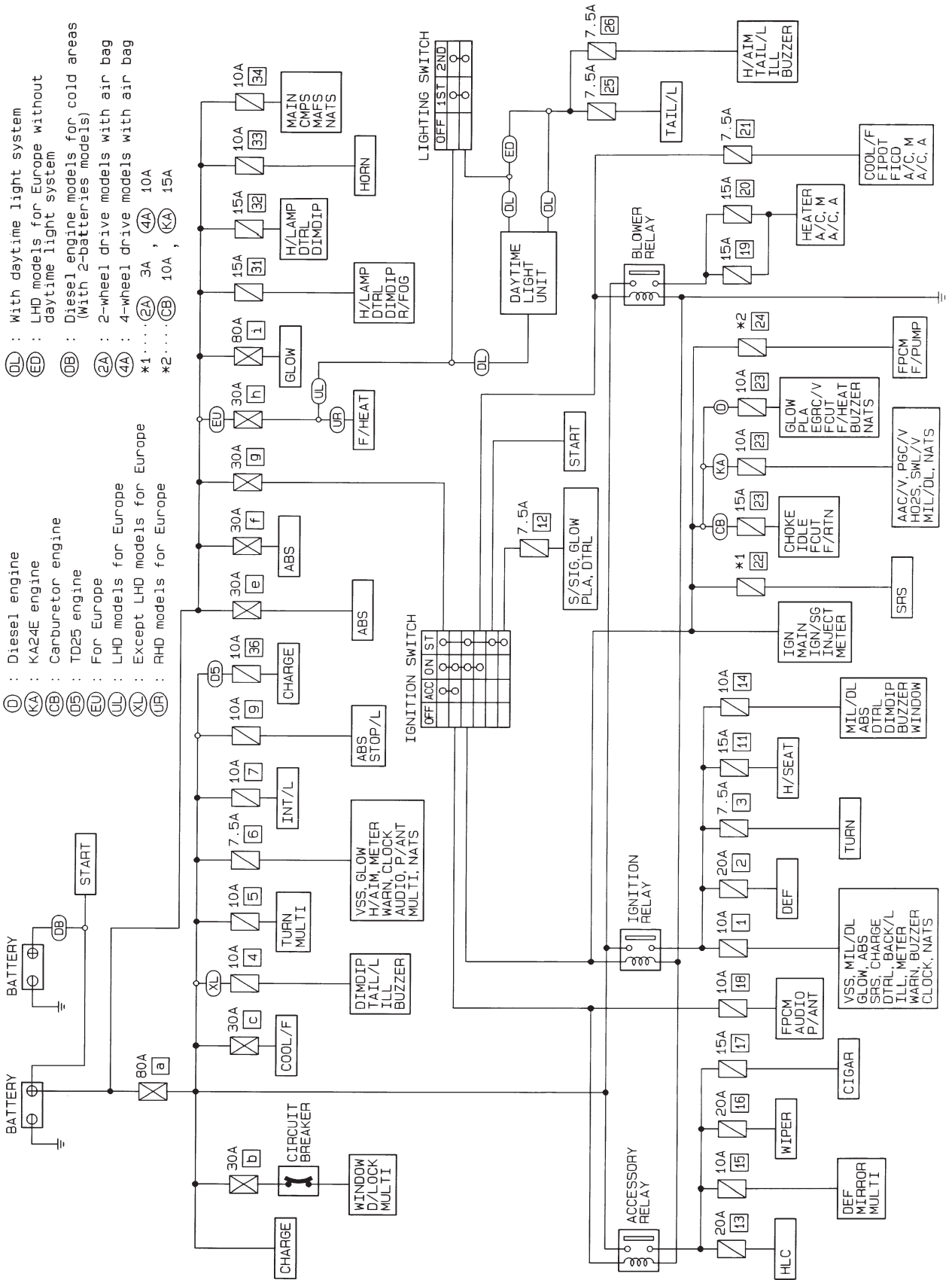
When you perform trouble diagnoses, read GI section, “HOW TO FOLLOW FLOW CHART IN TROUBLE DIAGNOSES” and “HOW TO PERFORM EFFICIENT DIAGNOSIS FOR AN ELECTRICAL INCIDENT”.

CONTENTS

POWER SUPPLY ROUTING	1002	Wiring Diagram - DEF -	1031
Schematic	1002	AUDIO	1032
Wiring Diagram - POWER -	1003	Wiring Diagram - AUDIO -/RHD Models	1032
BATTERY	1010	POWER WINDOW	1033
Service Data and Specifications (SDS).....	1010	Wiring Diagram - WINDOW -/LHD Models	1033
STARTING SYSTEM	1011	Wiring Diagram - WINDOW -/RHD Models.....	1037
Construction	1011	POWER DOOR LOCK	1041
Service Data and Specifications (SDS).....	1011	Wiring Diagram - D/LOCK -	1041
CHARGING SYSTEM	1012	MULTI-REMOTE CONTROL SYSTEM/FOR	
Construction	1012	EUROPE	1043
Service Data and Specifications (SDS).....	1012	Wiring Diagram - MULTI -/LHD Models	1043
HEAD LAMP - Dim-dip Lamp System -	1013	Wiring Diagram - MULTI -/RHD Models.....	1047
Wiring Diagram - DIMDIP -	1013	LOCATION OF ELECTRICAL UNITS	1051
TURN SIGNAL AND HAZARD WARNING		Engine Compartment.....	1051
LAMPS	1016	Passenger Compartment.....	1052
Wiring Diagram - TURN -/LHD 4WD		HARNESS LAYOUT	1054
Models for Europe	1016	Main Harness.....	1054
Wiring Diagram - TURN -/RHD 4WD		Engine Room Harness.....	1060
Models for Europe	1019	Alternator Harness	1062
ILLUMINATION	1022	Instrument Harness.....	1063
Wiring Diagram - ILL -/LHD Models	1022	Room Lamp Harness/Double Cab Models.....	1064
INTERIOR AND SPOT LAMPS	1024	Front Door Harness (LH side)	1065
Wiring Diagram - INT/L -	1024	Front Door Harness (RH side).....	1066
WARNING LAMPS	1026	WIRING DIAGRAM CODES (CELL CODES)	1067
Wiring Diagram -WARN -/RHD Models.....	1026		
REAR WINDOW DEFOGGER & MIRROR			
DEFOGGER	1031		

POWER SUPPLY ROUTING

Schematic

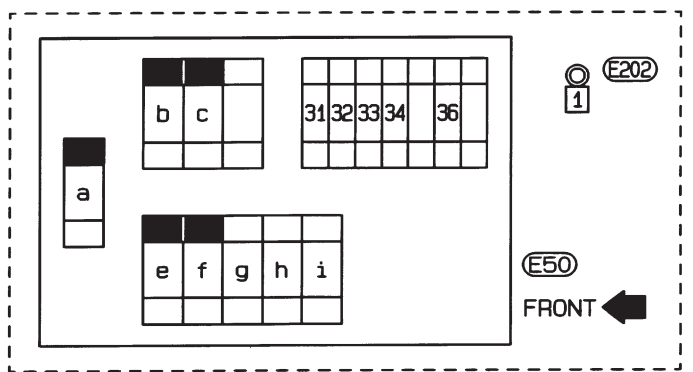
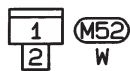
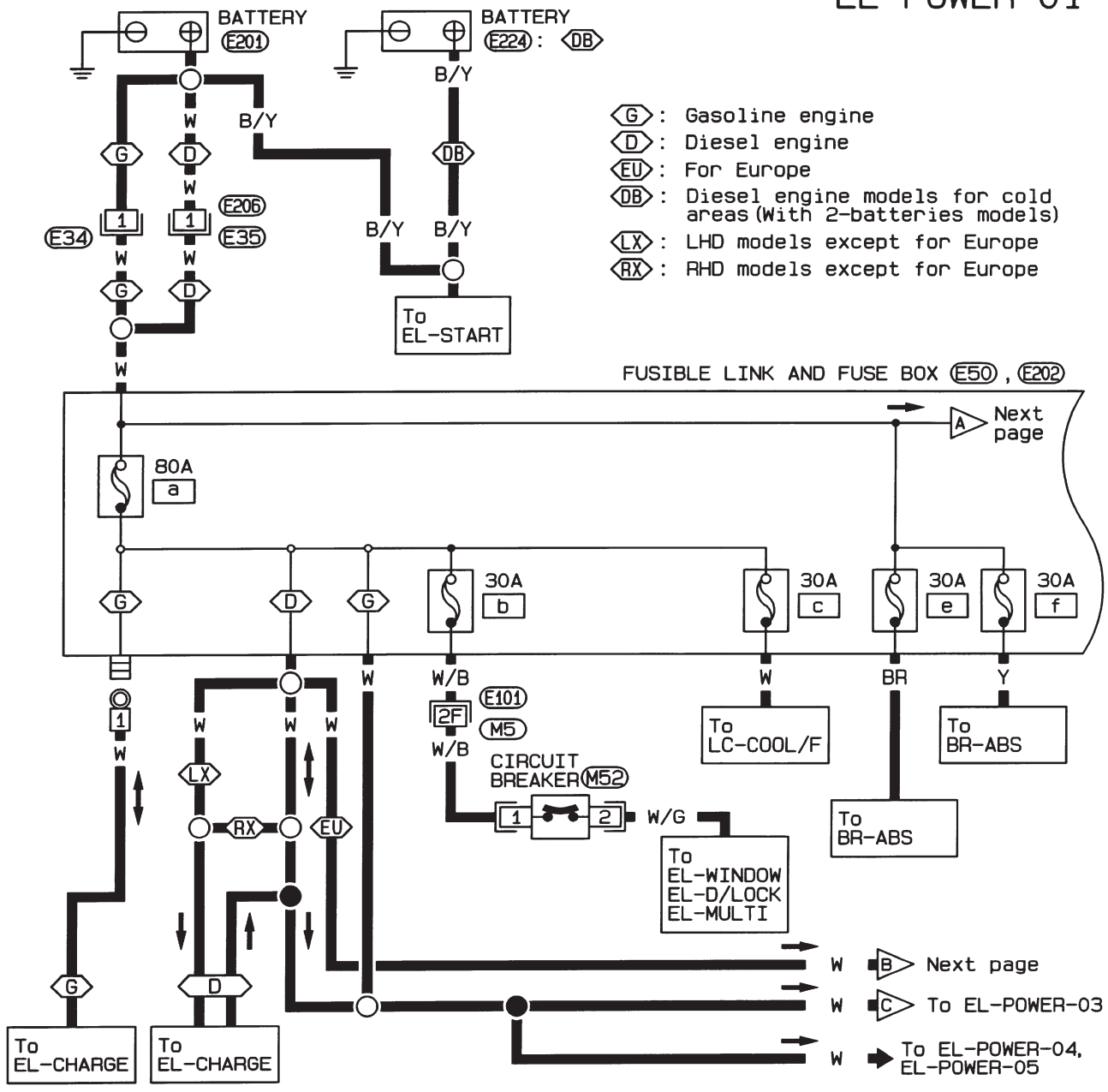


POWER SUPPLY ROUTING

Wiring Diagram — POWER —

BATTERY POWER SUPPLY — IGNITION SWITCH IN ANY POSITION

EL-POWER-01



Refer to last page (Foldout page).

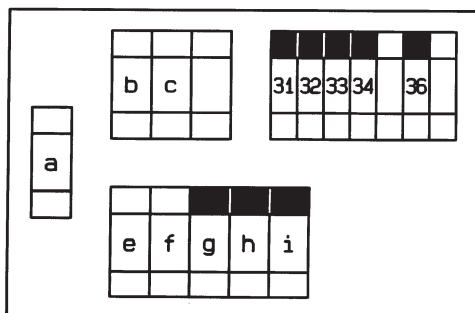
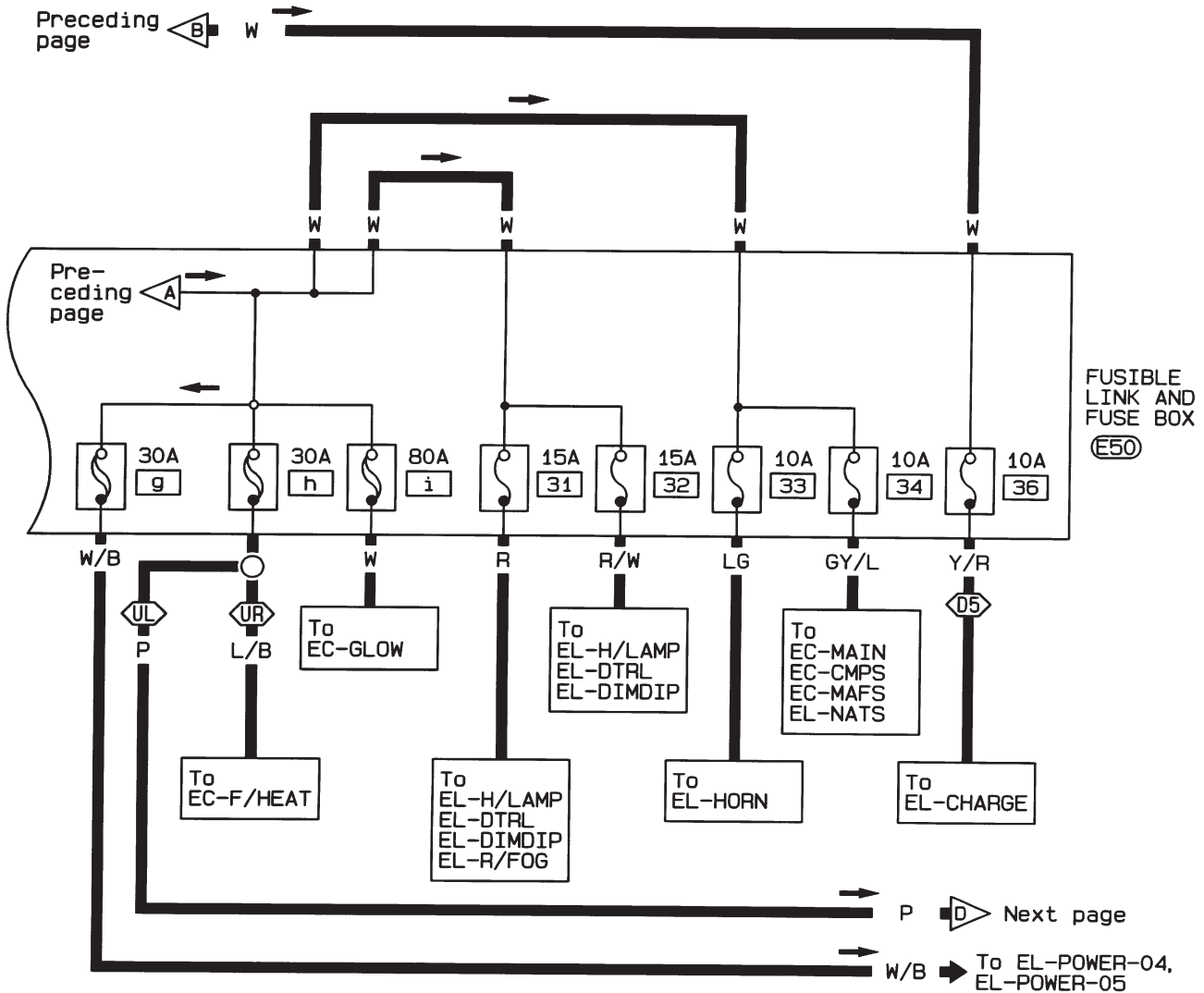
(M5), (E101)

POWER SUPPLY ROUTING

Wiring Diagram — POWER — (Cont'd)

EL-POWER-02

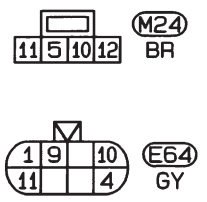
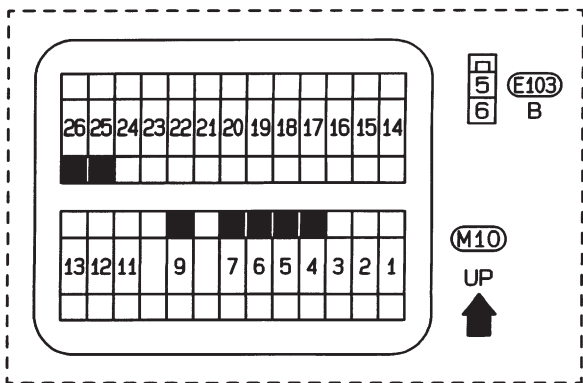
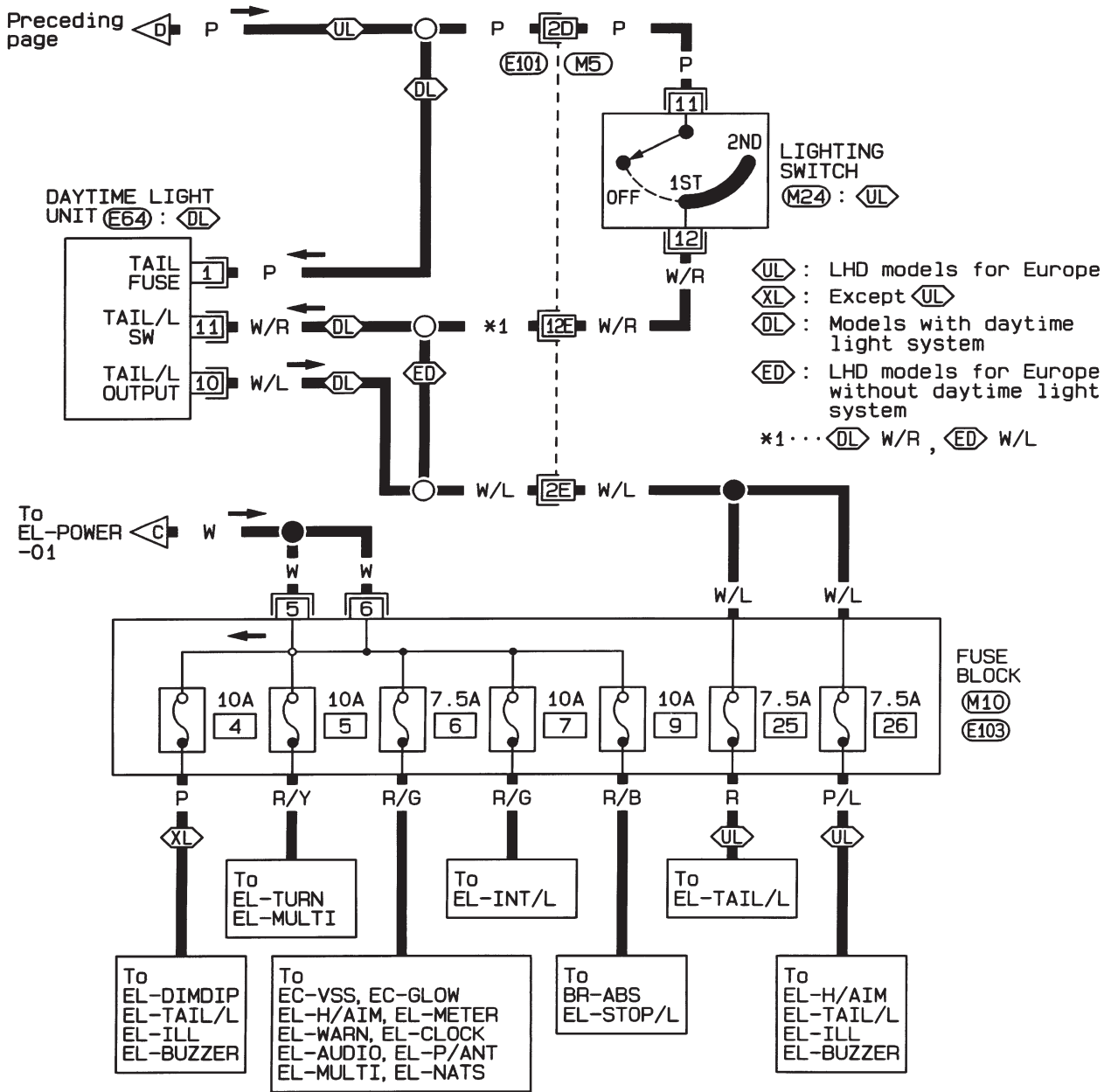
- UL : LHD models for Europe
- UR : RHD models for Europe
- 05 : TD25 engine



POWER SUPPLY ROUTING

Wiring Diagram — POWER — (Cont'd)

EL-POWER-03



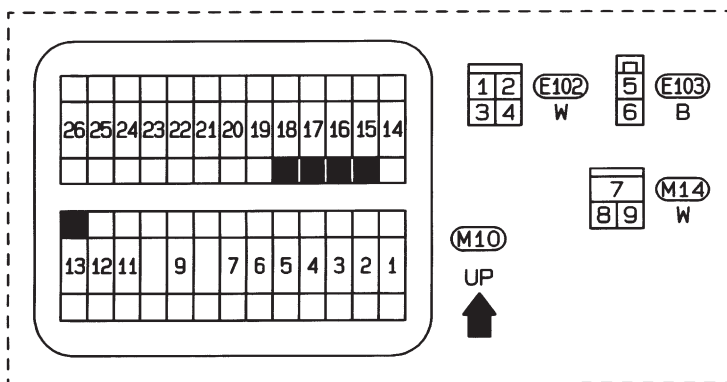
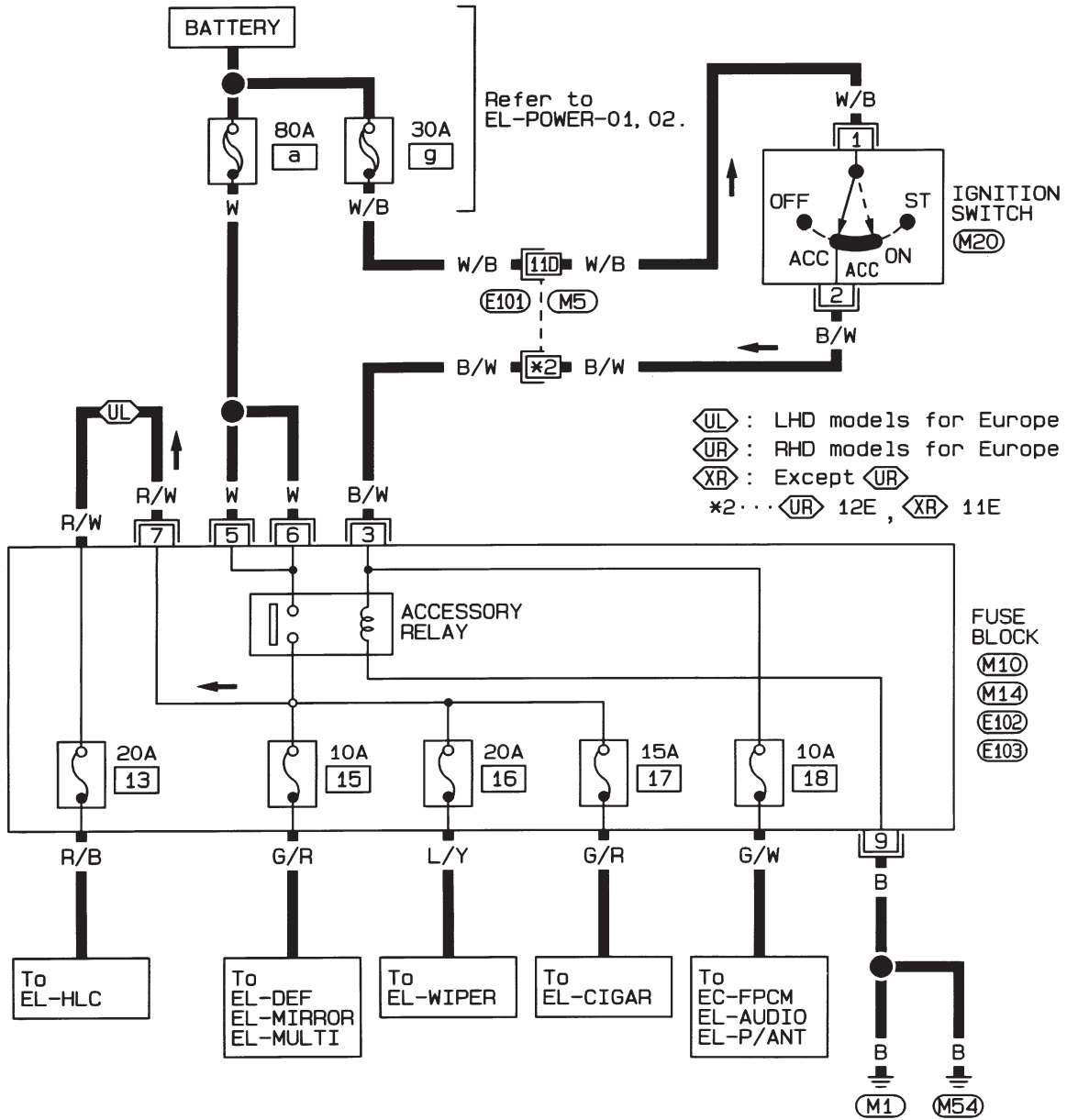
Refer to last page (Foldout page).
M5, E101

POWER SUPPLY ROUTING

Wiring Diagram — POWER — (Cont'd)

ACCESSORY POWER SUPPLY — IGNITION SW. IN "ACC" OR "ON"

EL-POWER-04



Refer to last page (Foldout page).

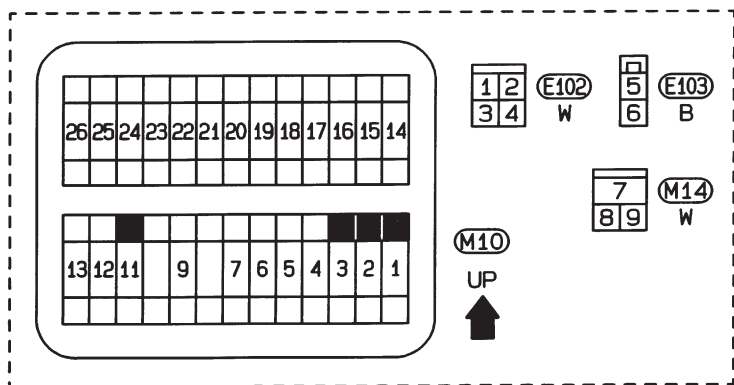
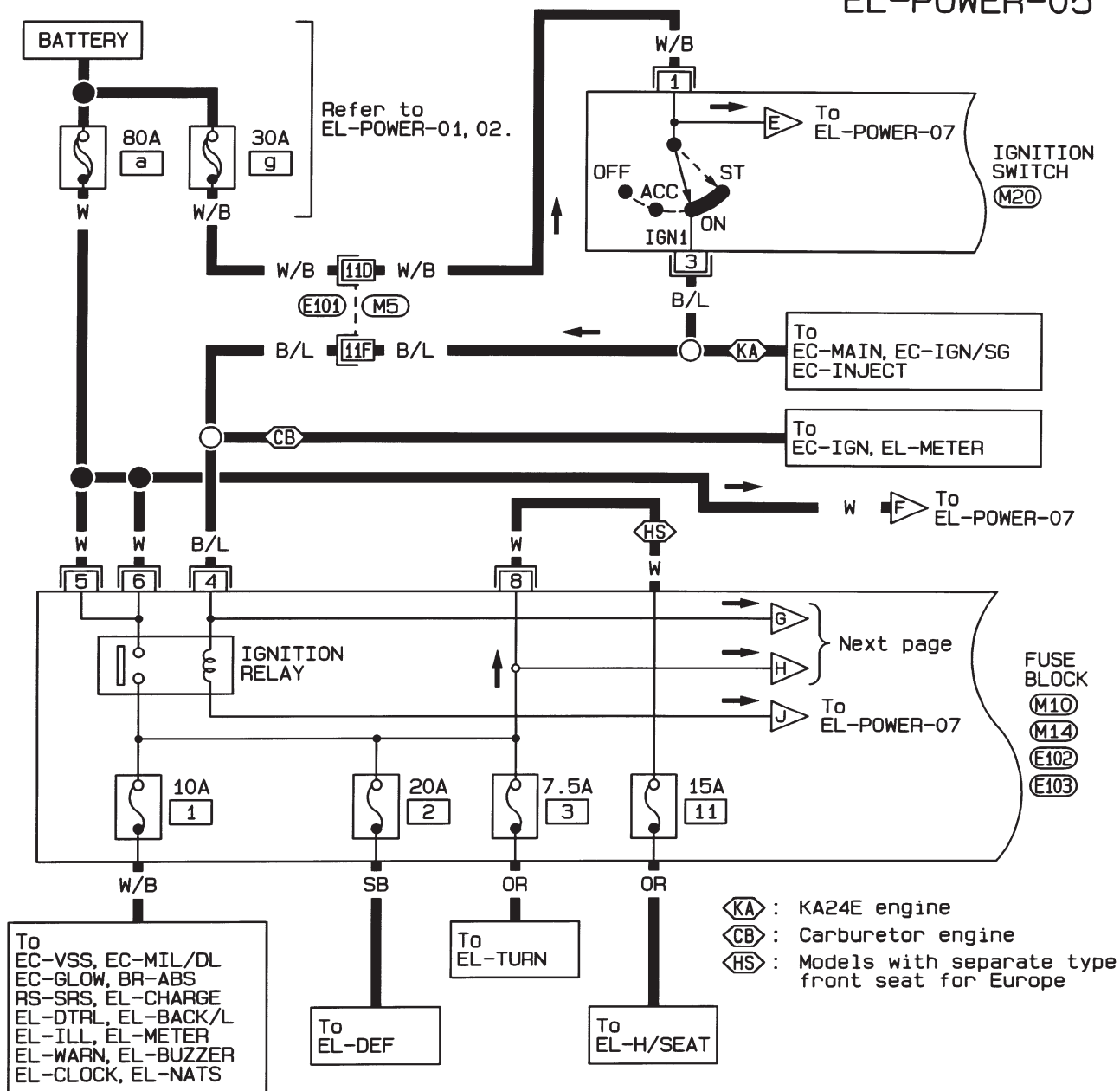
M5, E101

POWER SUPPLY ROUTING

Wiring Diagram — POWER — (Cont'd)

IGNITION POWER SUPPLY — IGNITION SW. IN "ON" AND/OR "START"

EL-POWER-05



Refer to last page (Foldout page).

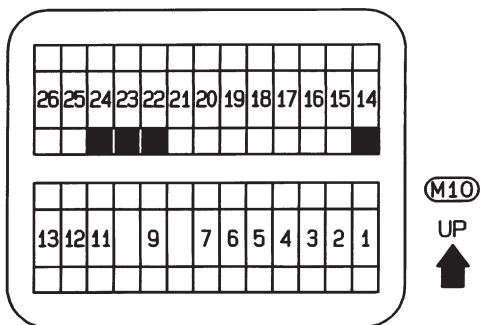
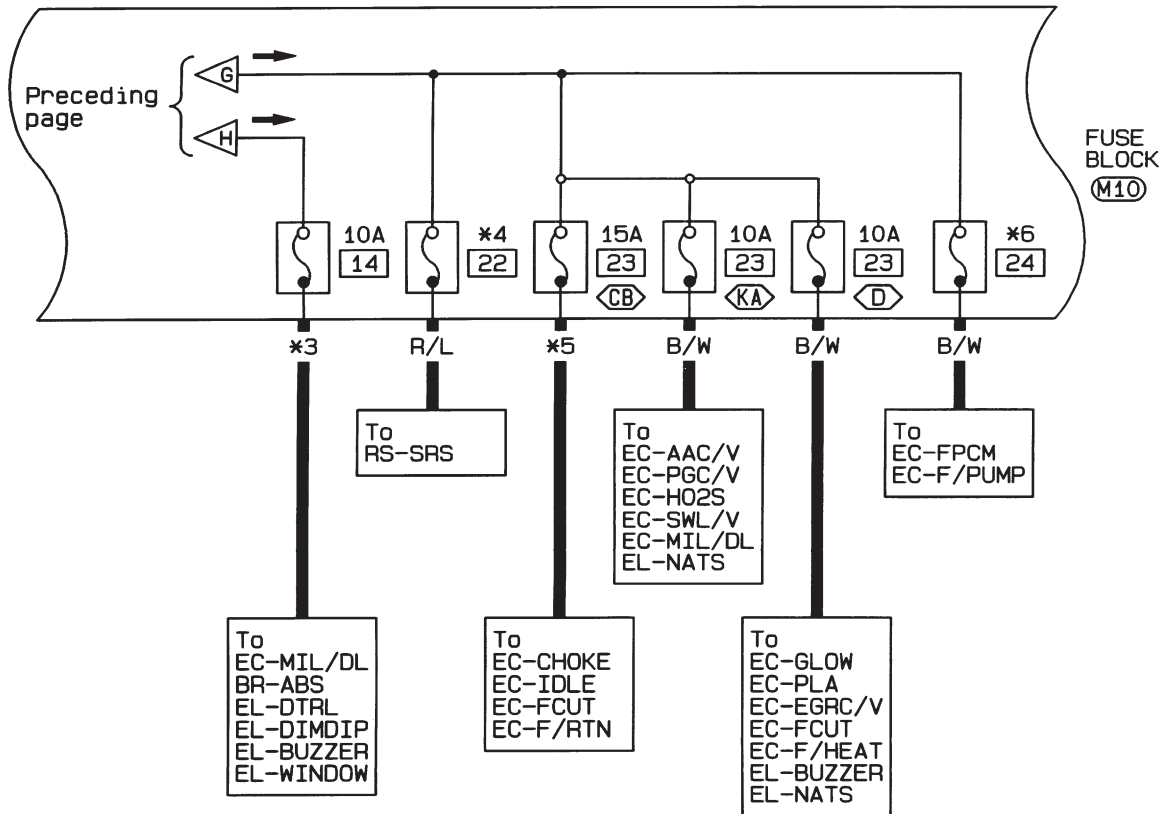
(M5), (E101)

POWER SUPPLY ROUTING

Wiring Diagram — POWER — (Cont'd)

EL-POWER-06

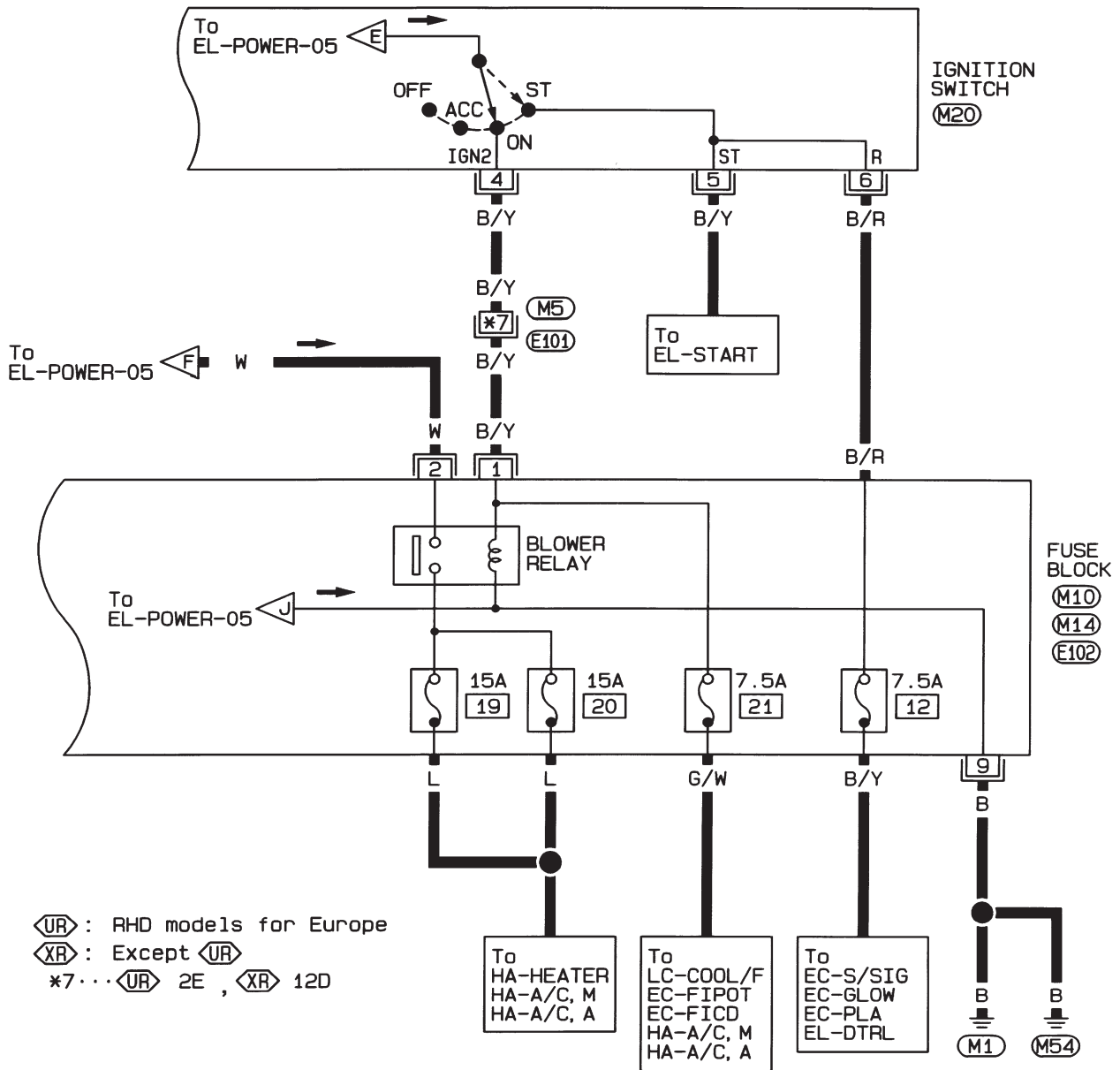
- D**: Diesel engine
- NA**: NA20S engine
- Z**: Z24S engine
- KA**: KA24E engine
- CB**: Carburetor engine
- AS**: Models with ABS
- PW**: Models with power window without ABS
- PN**: Models without ABS and power window
- 2A**: 2-wheel drive models with air bag
- 4A**: 4-wheel drive models with air bag
- *3: For Europe..... OR
Except for Europe... **AS** OR , **PW** W/B , **PN** B/W
- *4... **2A** 3A , **4A** 10A
- *5... **NA** W/G , **Z** W/L
- *6... **CB** 10A , **KA** 15A



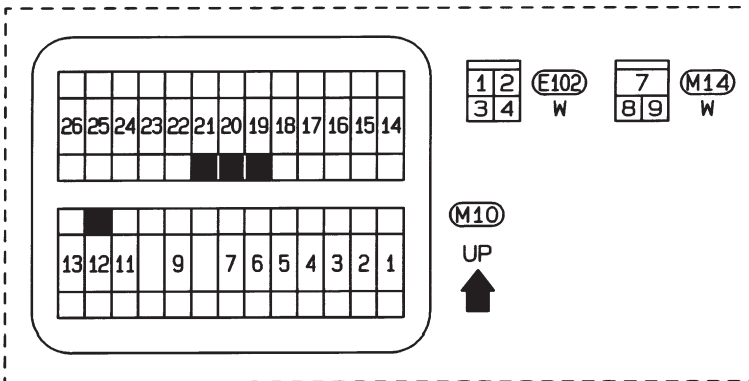
POWER SUPPLY ROUTING

Wiring Diagram — POWER — (Cont'd)

EL-POWER-07



UR : RHD models for Europe
 XR : Except UR
 *7...UR 2E , XR 12D



Refer to last page (Foldout page).

M5 , E101

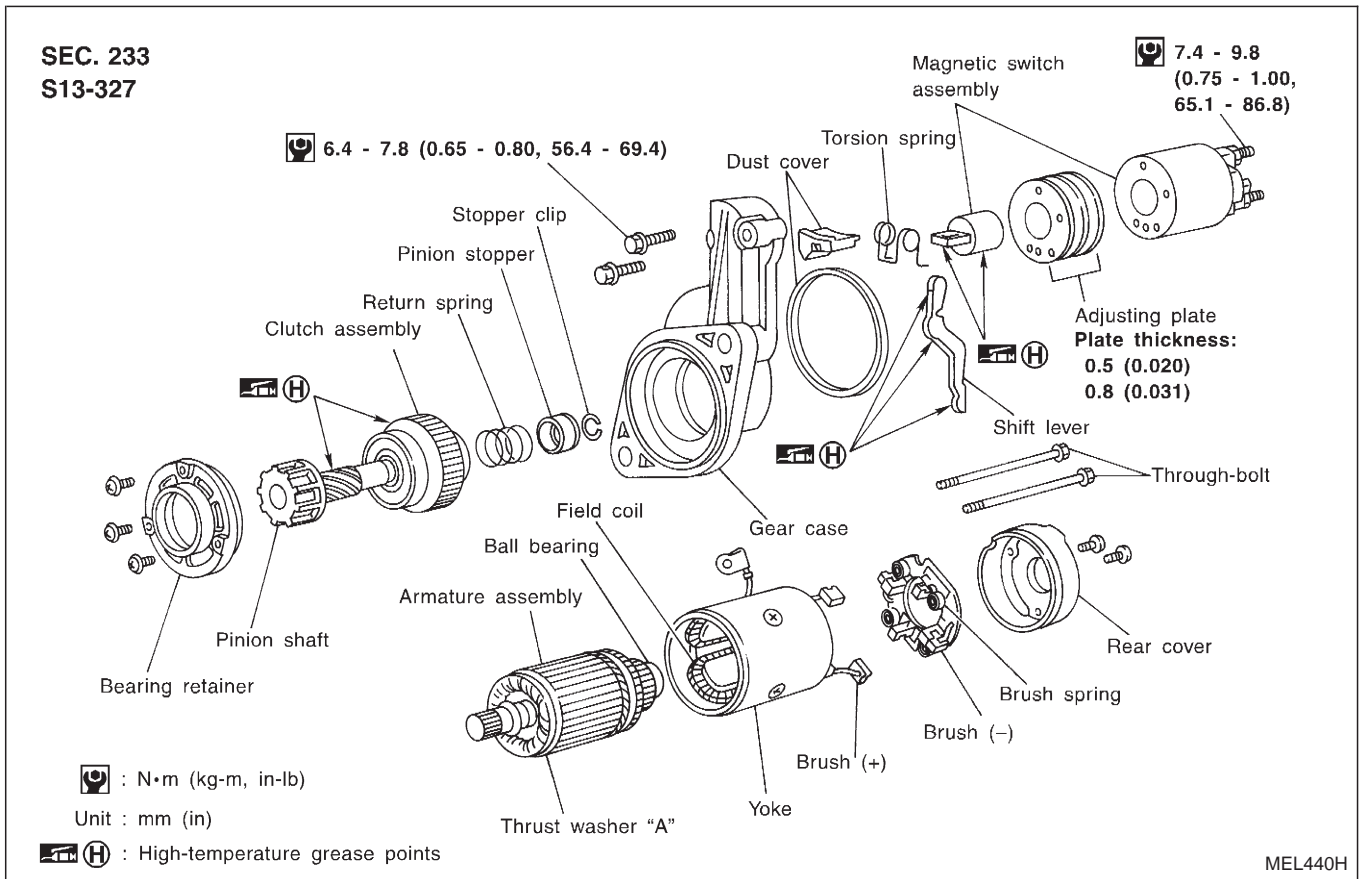
BATTERY

Service Data and Specifications (SDS)

Applied model		Europe	
		TD25, TD25T	
		Standard	Option
Type		95D31R	80D26L, 80D26R
Capacity	V-AH	12-64	12-55

STARTING SYSTEM

Construction



Service Data and Specifications (SDS)

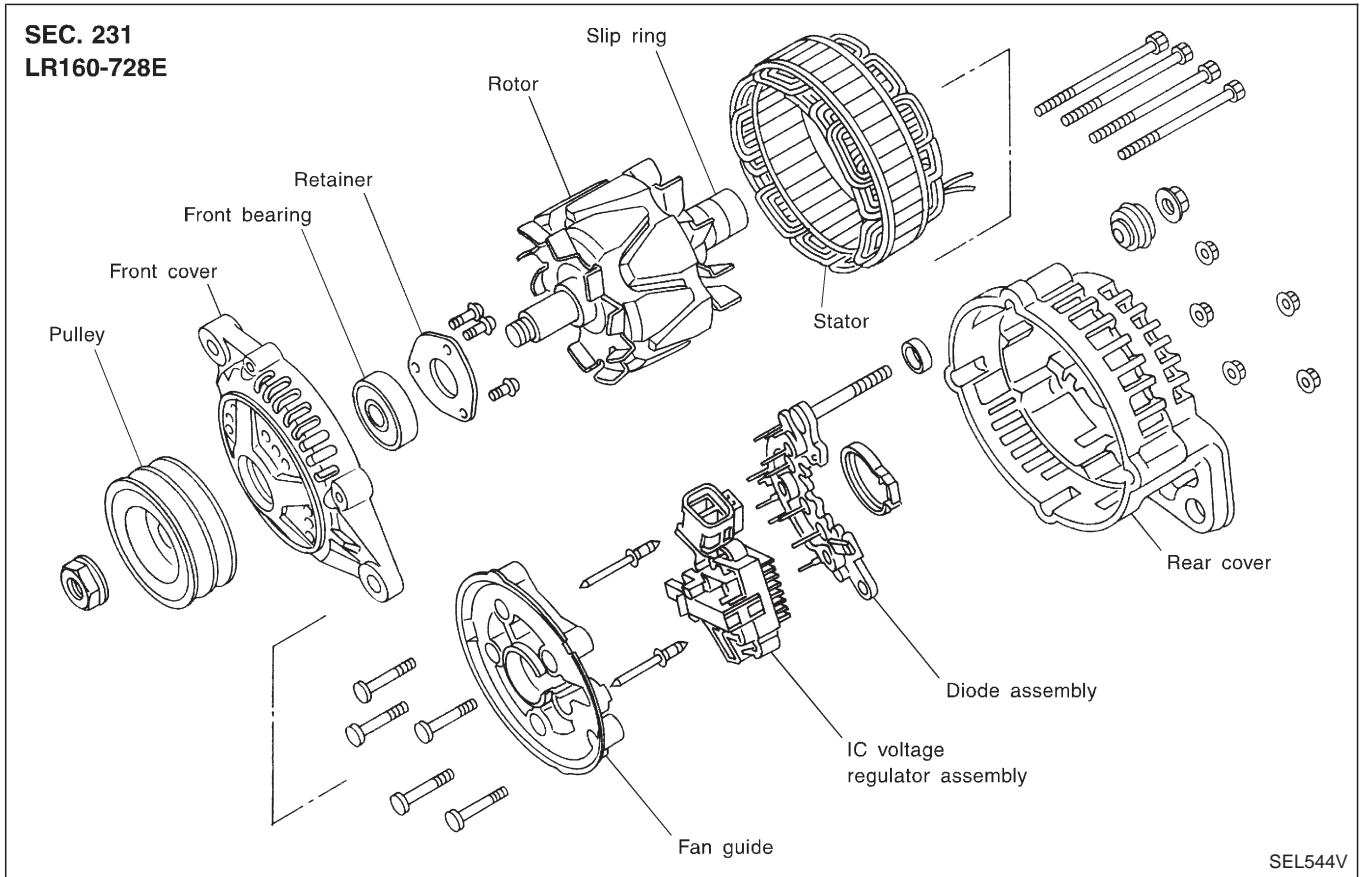
STARTER

Type	S13-327	
	HITACHI	
Applied model	Reduction	
	2WD	
	TD25, TD25T, TD27	
System voltage	V	12
No-load		
Terminal voltage	V	11.0
Current	A	Less than 160
Revolution	rpm	More than 4,000
Minimum diameter of commutator	mm (in)	35.5 (1.398)
Minimum length of brush	mm (in)	9.0 (0.354)
Brush spring tension	N (kg, lb)	—
Movement "ℓ" in height of pinion assembly	mm (in)	0.3 - 1.5 (0.012 - 0.059)

*: Not include the current of the magnet switch circuit

CHARGING SYSTEM

Construction



Service Data and Specifications (SDS)

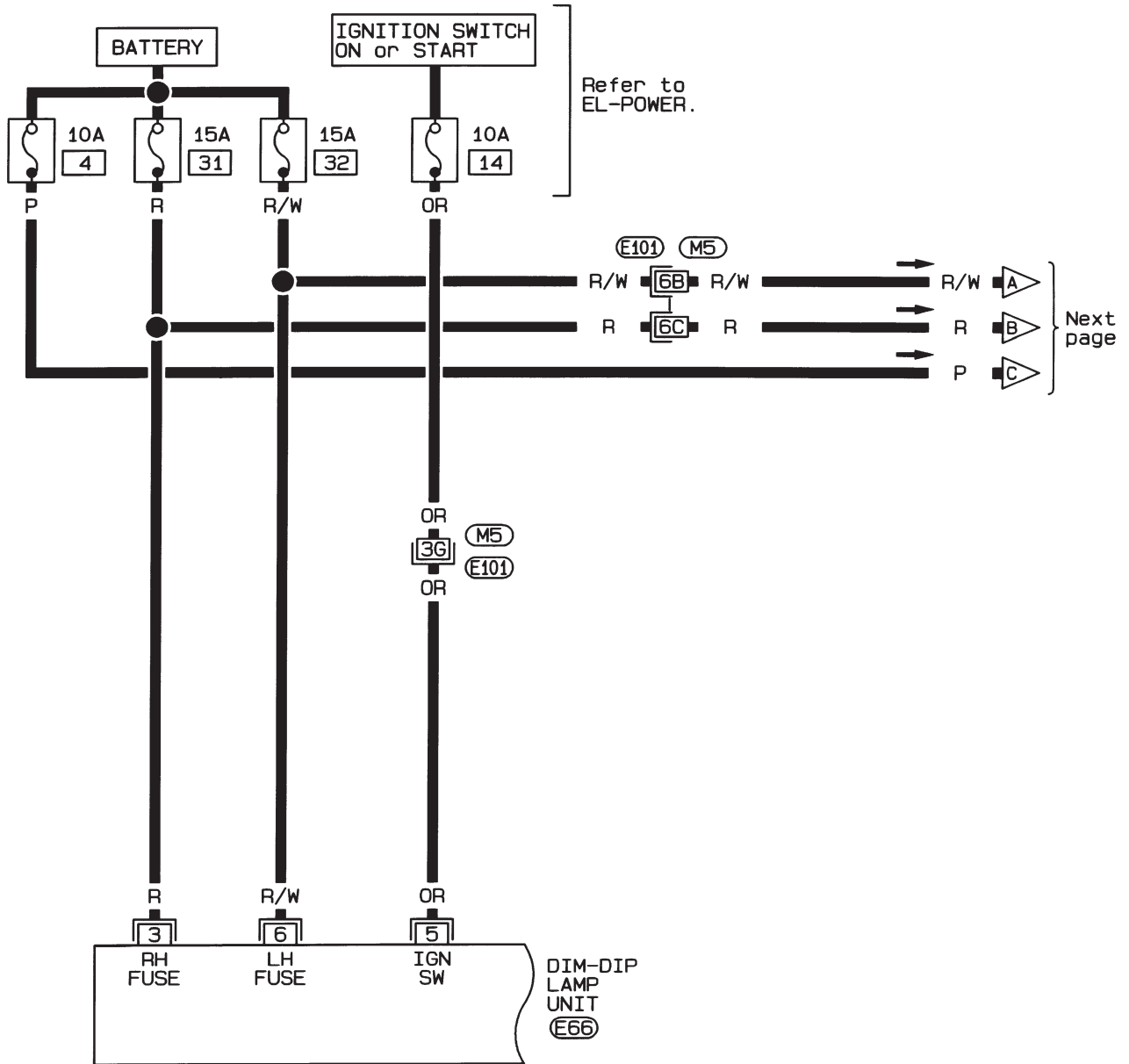
ALTERNATOR

Type		LR160-728E
		HITACHI
Applied model		TD25, TD25T, TD27, QD32
		Standard
Nominal rating	V-A	12-60
Ground polarity		Negative
Minimum revolution under no-load (When 13.5V is applied)	rpm	Less than 1,300
Hot output current	A/rpm	More than 17/1,300 More than 48/2,500 More than 57/5,000
Regulated output voltage	V	14.1 - 14.7
Minimum length of brush	mm (in)	6.0 (0.236)
Brush spring pressure	N (g, oz)	1.00 - 3.43 (102 - 350, 3.60 - 12.34)
Slip ring minimum outer diameter	mm (in)	26.0 (1.024)
Rotor (Field coil) resistance	Ω	2.58

HEAD LAMP — Dim-dip Lamp System —

Wiring Diagram — DIMDIP —

EL-DIMDIP-01



8	7	6	(E66)
2	5	3	GY

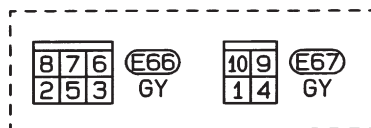
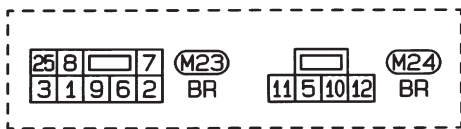
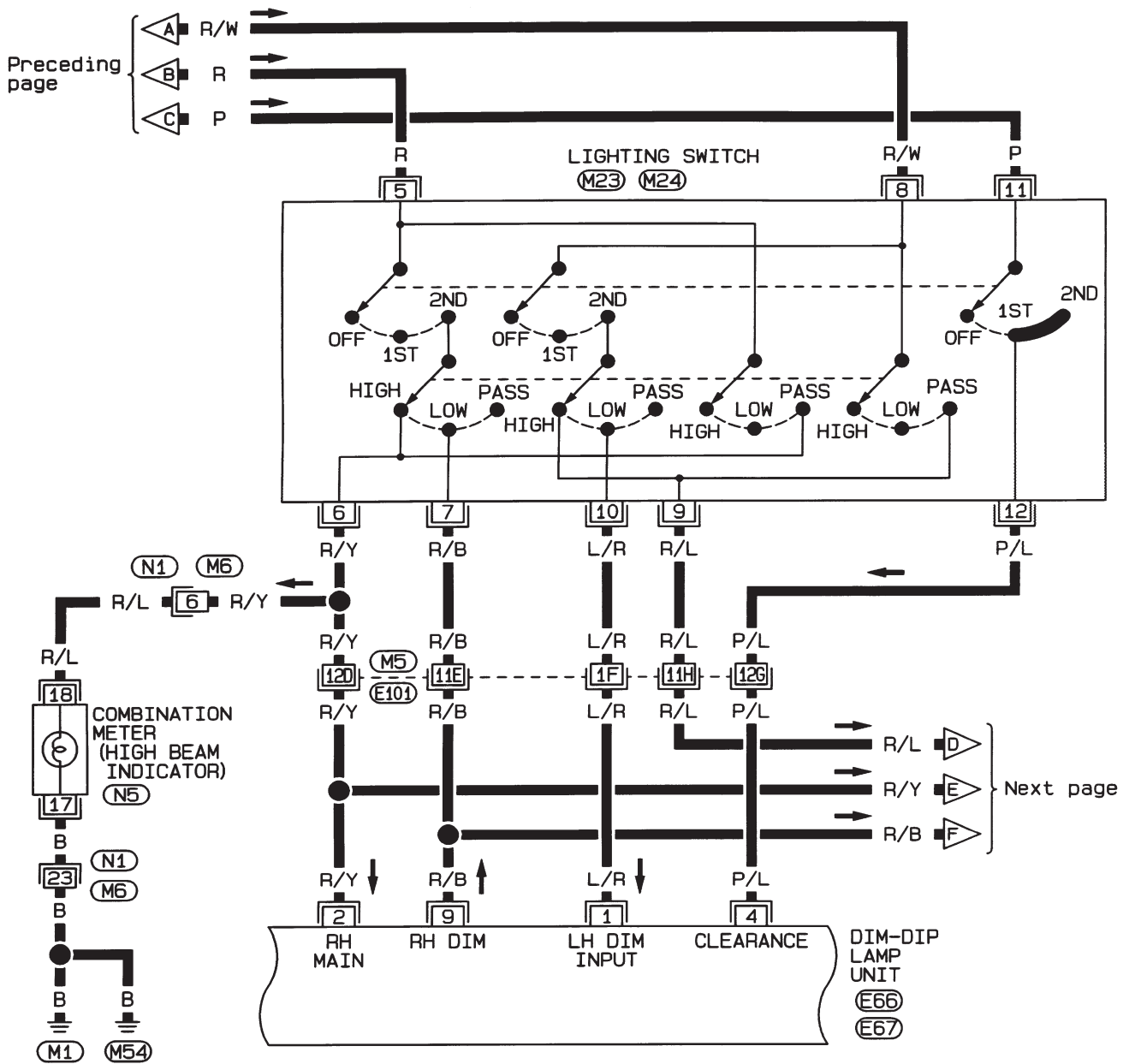
Refer to last page (Foldout page).

(M5), (E101)

HEAD LAMP — Dim-dip Lamp System —

Wiring Diagram — DIMDIP — (Cont'd)

EL-DIMDIP-02



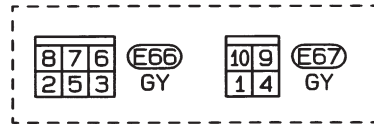
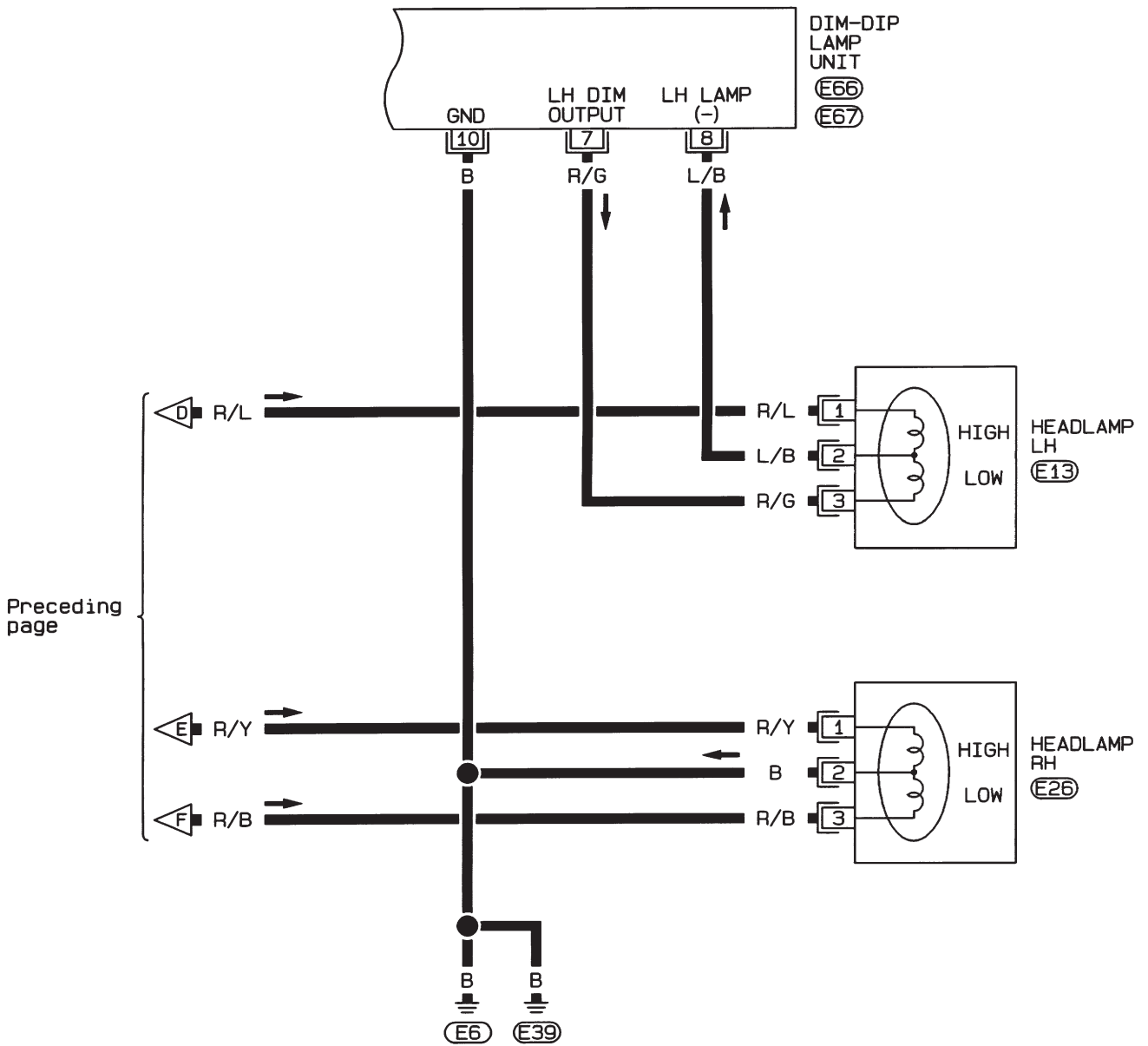
Refer to last page (Foldout page).

(M5), (E101)

HEAD LAMP — Dim-dip Lamp System —

Wiring Diagram — DIMDIP — (Cont'd)

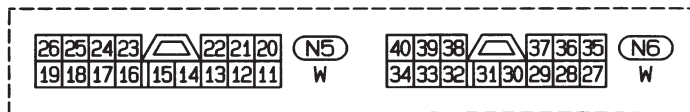
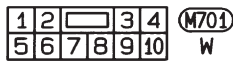
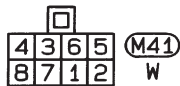
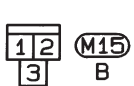
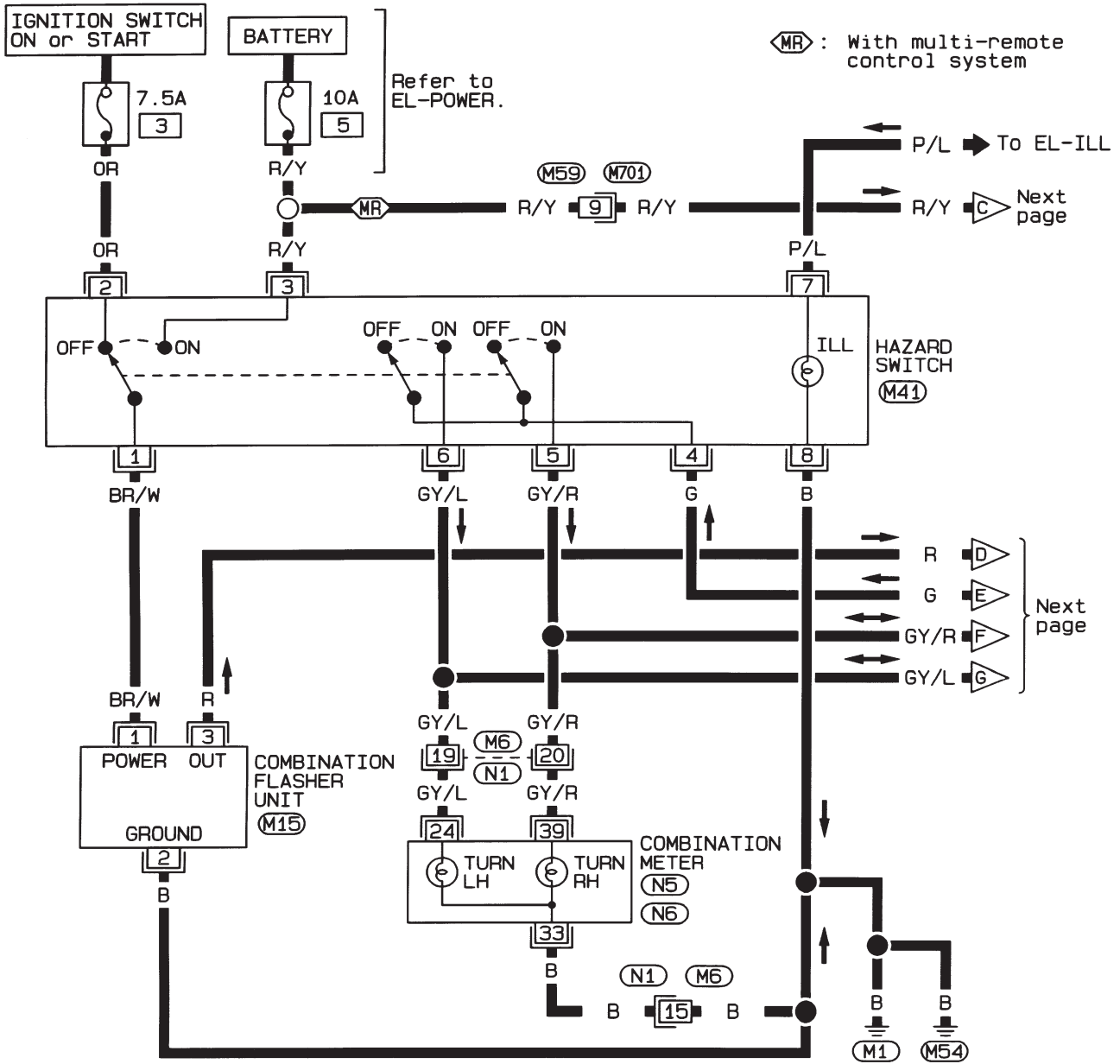
EL-DIMDIP-03



TURN SIGNAL AND HAZARD WARNING LAMPS

Wiring Diagram — TURN —/LHD 4WD Models for Europe

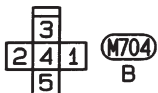
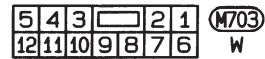
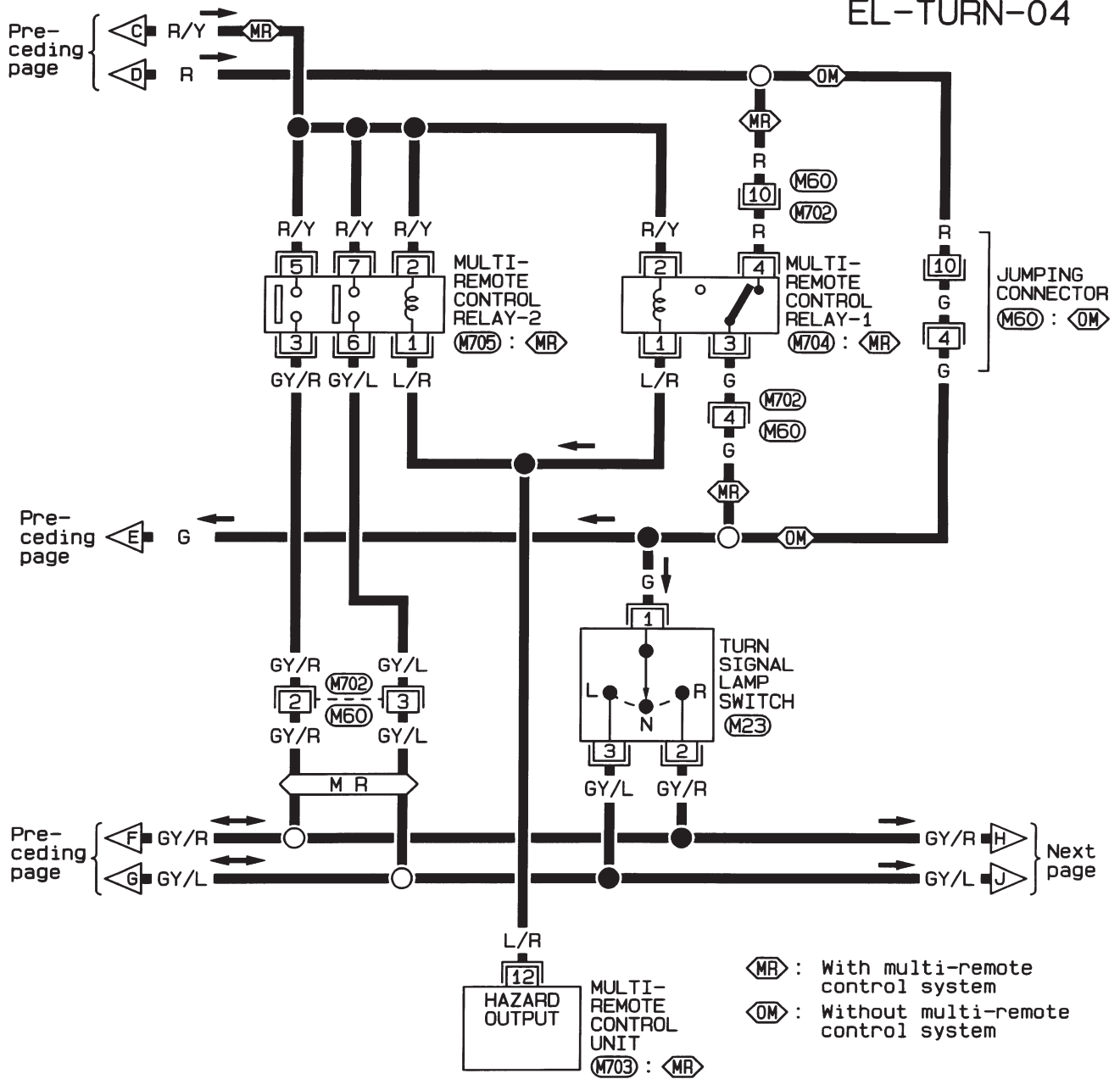
EL-TURN-03



TURN SIGNAL AND HAZARD WARNING LAMPS

Wiring Diagram — TURN —/LHD 4WD Models for Europe (Cont'd)

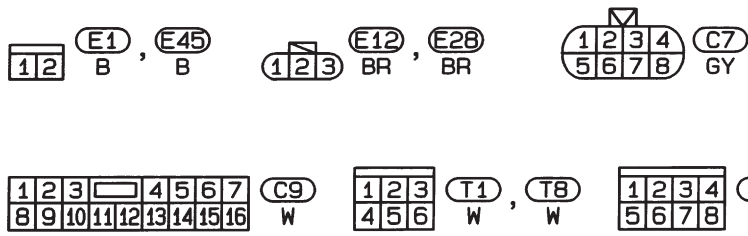
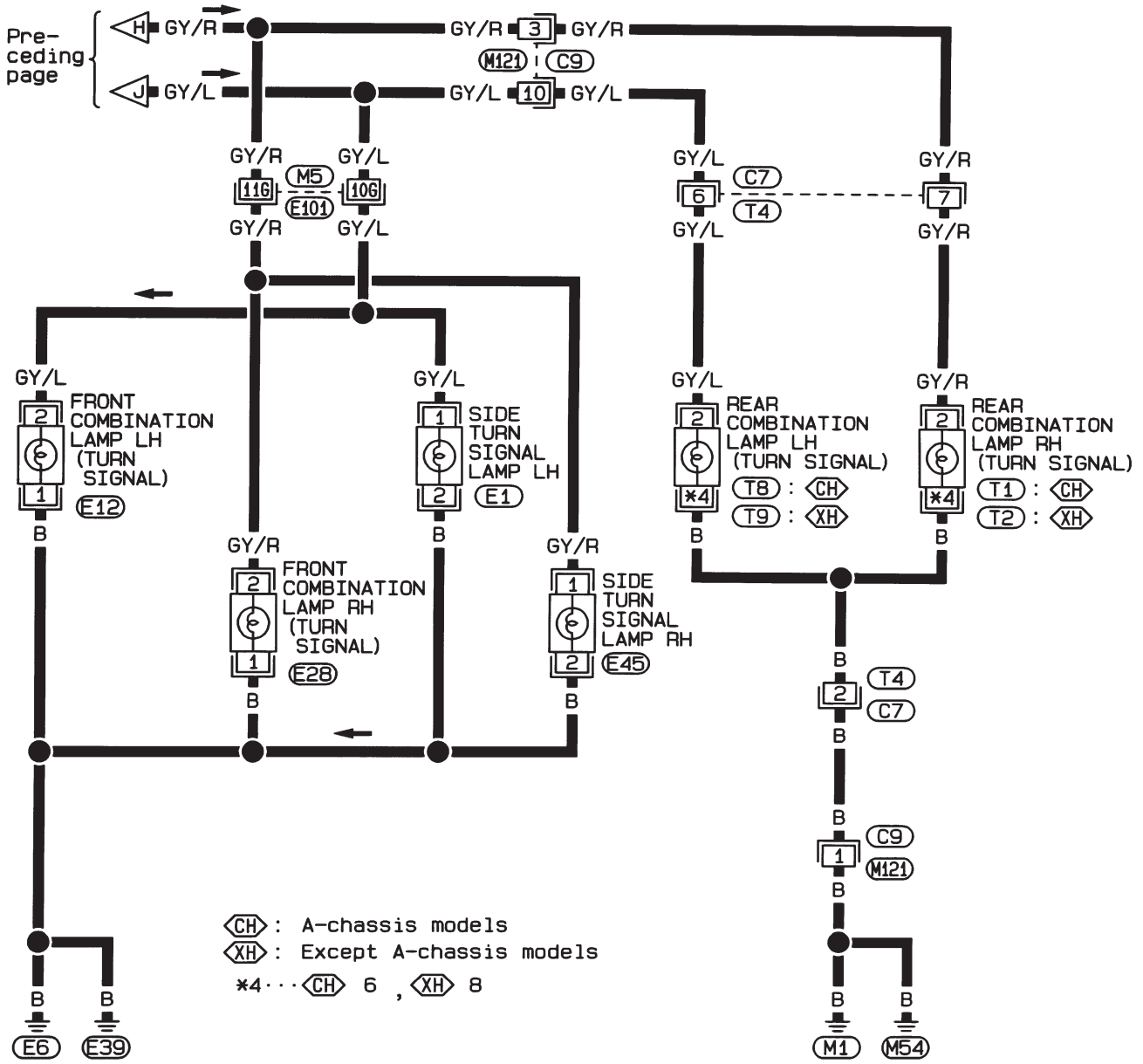
EL-TURN-04



TURN SIGNAL AND HAZARD WARNING LAMPS

Wiring Diagram — TURN —/LHD 4WD Models for Europe (Cont'd)

EL-TURN-05



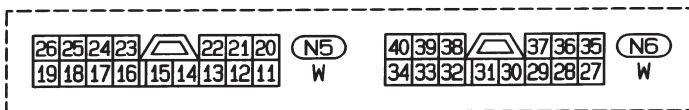
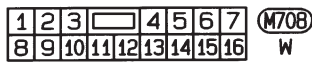
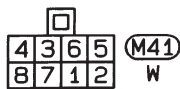
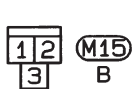
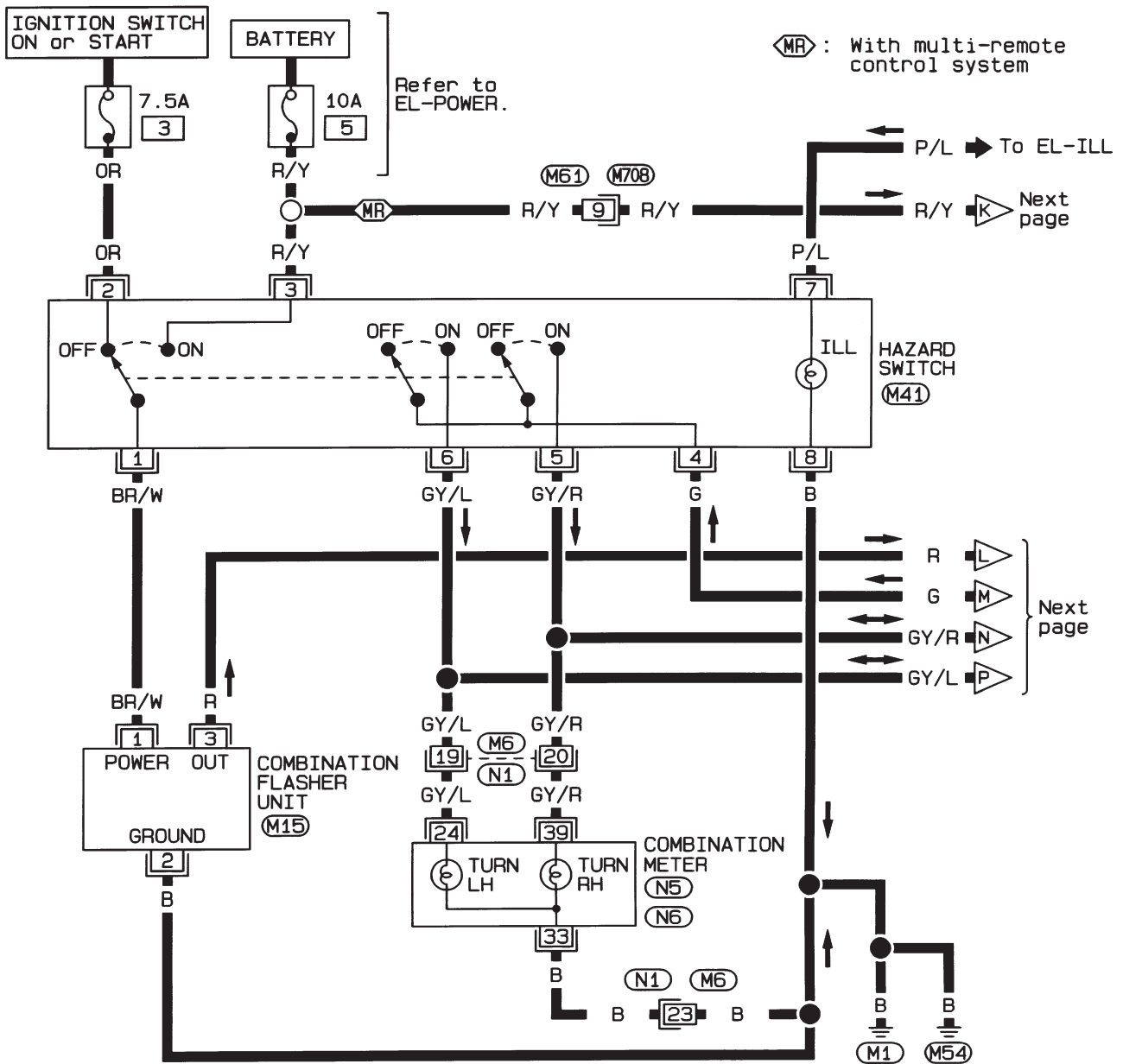
Refer to last page (Foldout page).
M5, E101

HEL343A

TURN SIGNAL AND HAZARD WARNING LAMPS

Wiring Diagram — TURN —/RHD 4WD Models for Europe

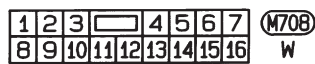
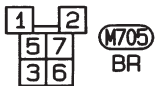
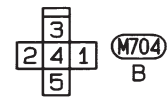
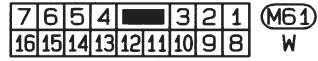
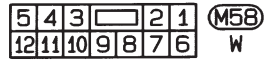
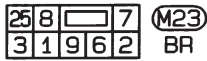
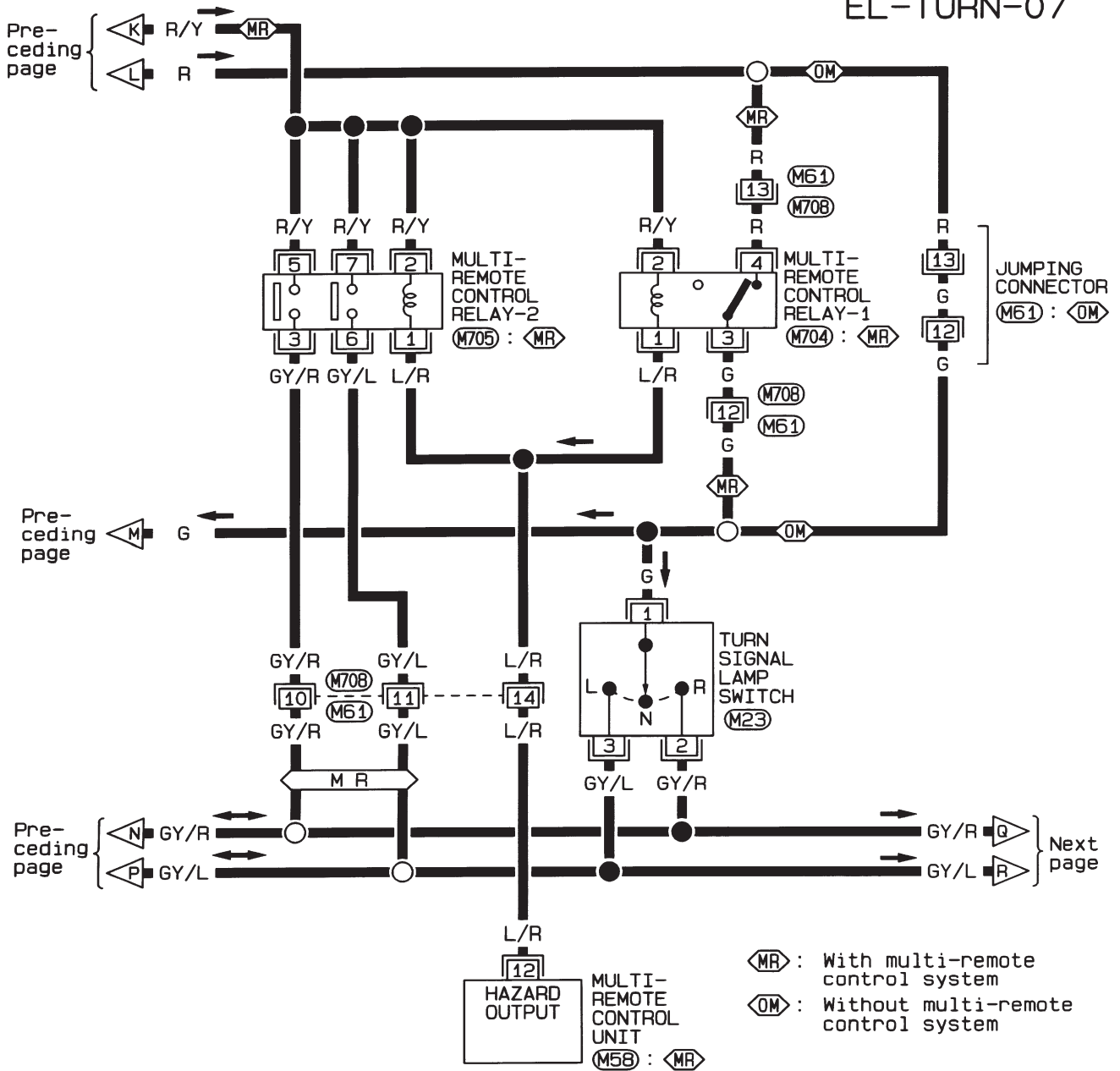
EL-TURN-06



TURN SIGNAL AND HAZARD WARNING LAMPS

Wiring Diagram — TURN —/RHD 4WD Models for Europe (Cont'd)

EL-TURN-07

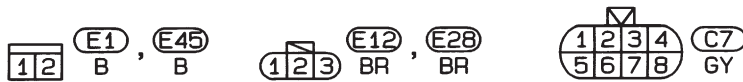
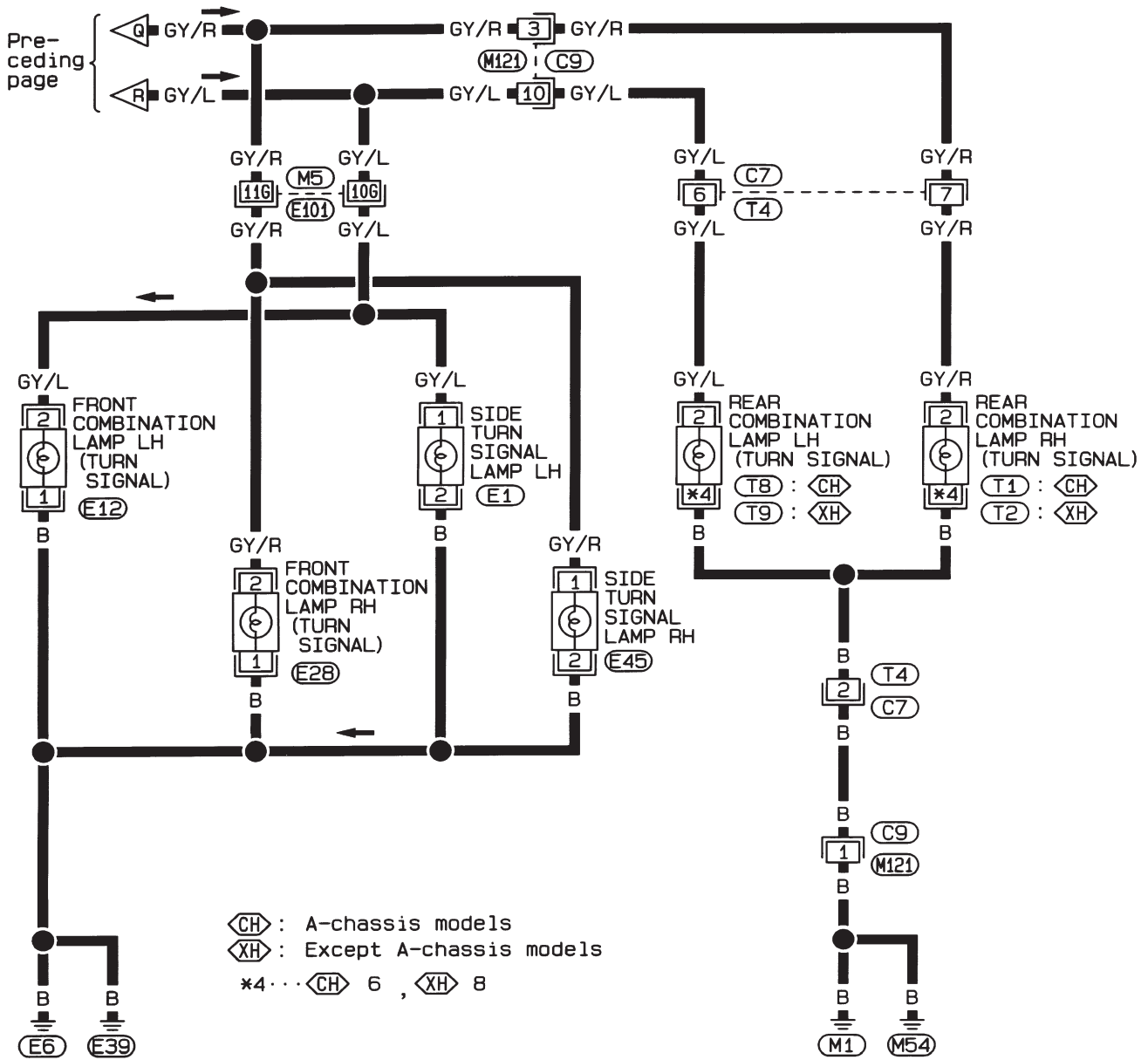


HEL467A

TURN SIGNAL AND HAZARD WARNING LAMPS

Wiring Diagram — TURN —/RHD 4WD Models for Europe (Cont'd)

EL-TURN-08



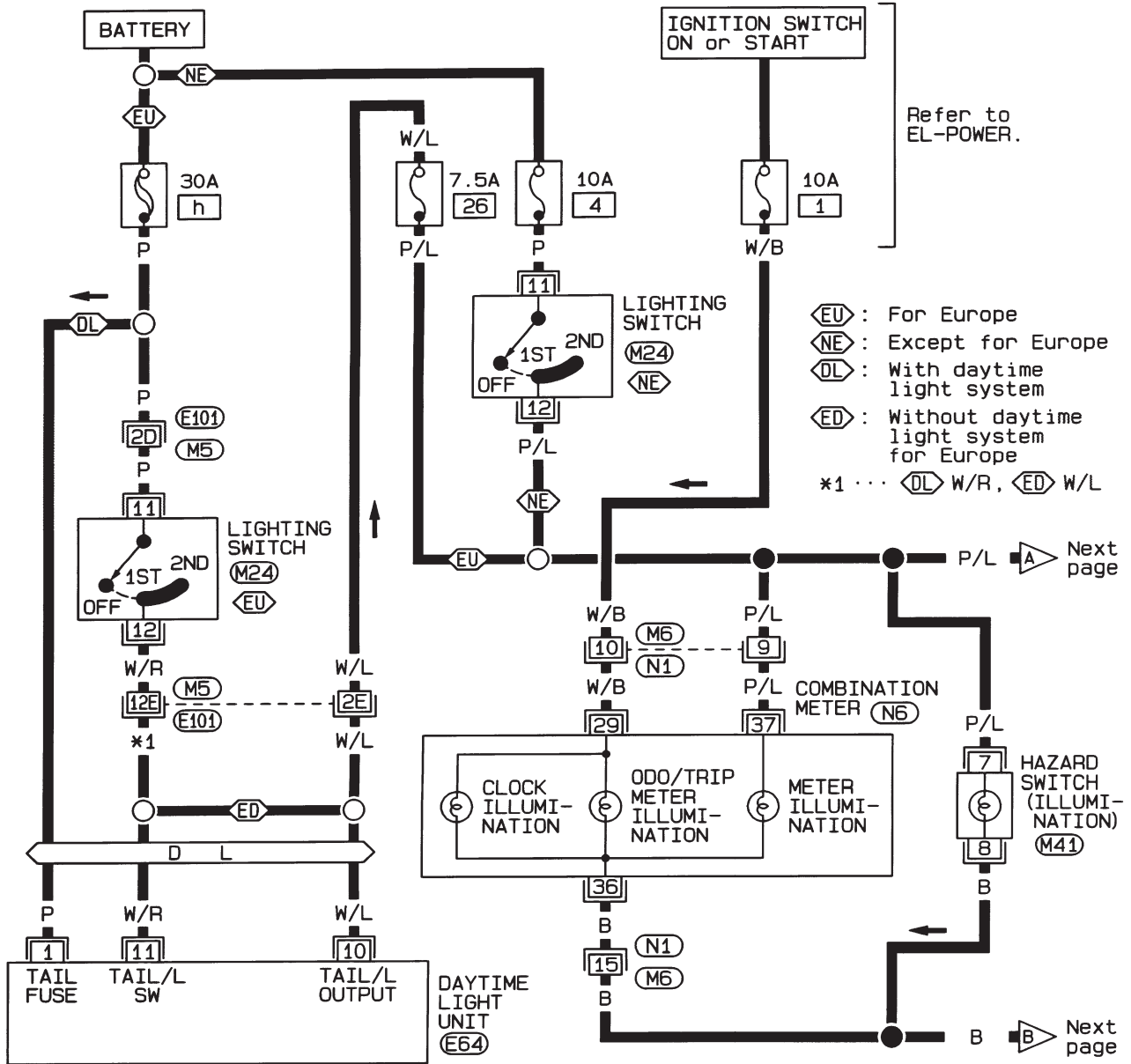
Refer to last page
(Foldout page).

M5, E101

ILLUMINATION

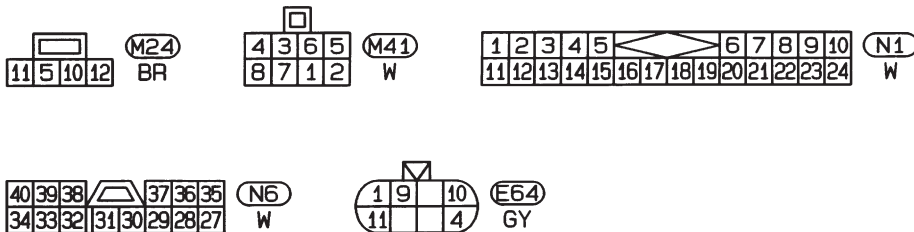
Wiring Diagram — ILL —/LHD Models

EL-ILL-01



Refer to EL-POWER.

- ⊗EU : For Europe
 - ⊗NE : Except for Europe
 - ⊗DL : With daytime light system
 - ⊗ED : Without daytime light system for Europe
- *1 ... ⊗DL W/R, ⊗ED W/L



Refer to last page (Foldout page).

M5, E101

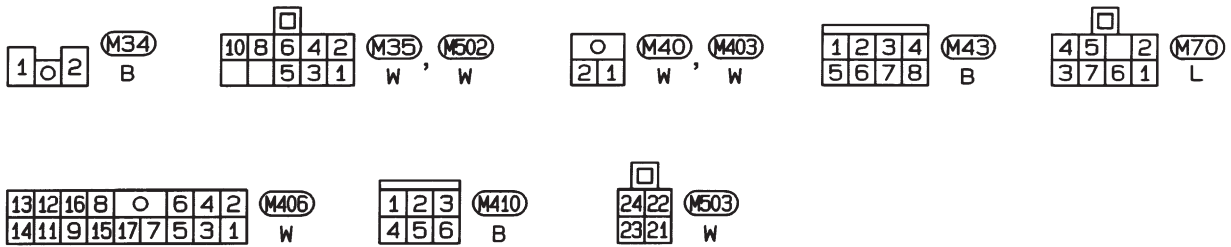
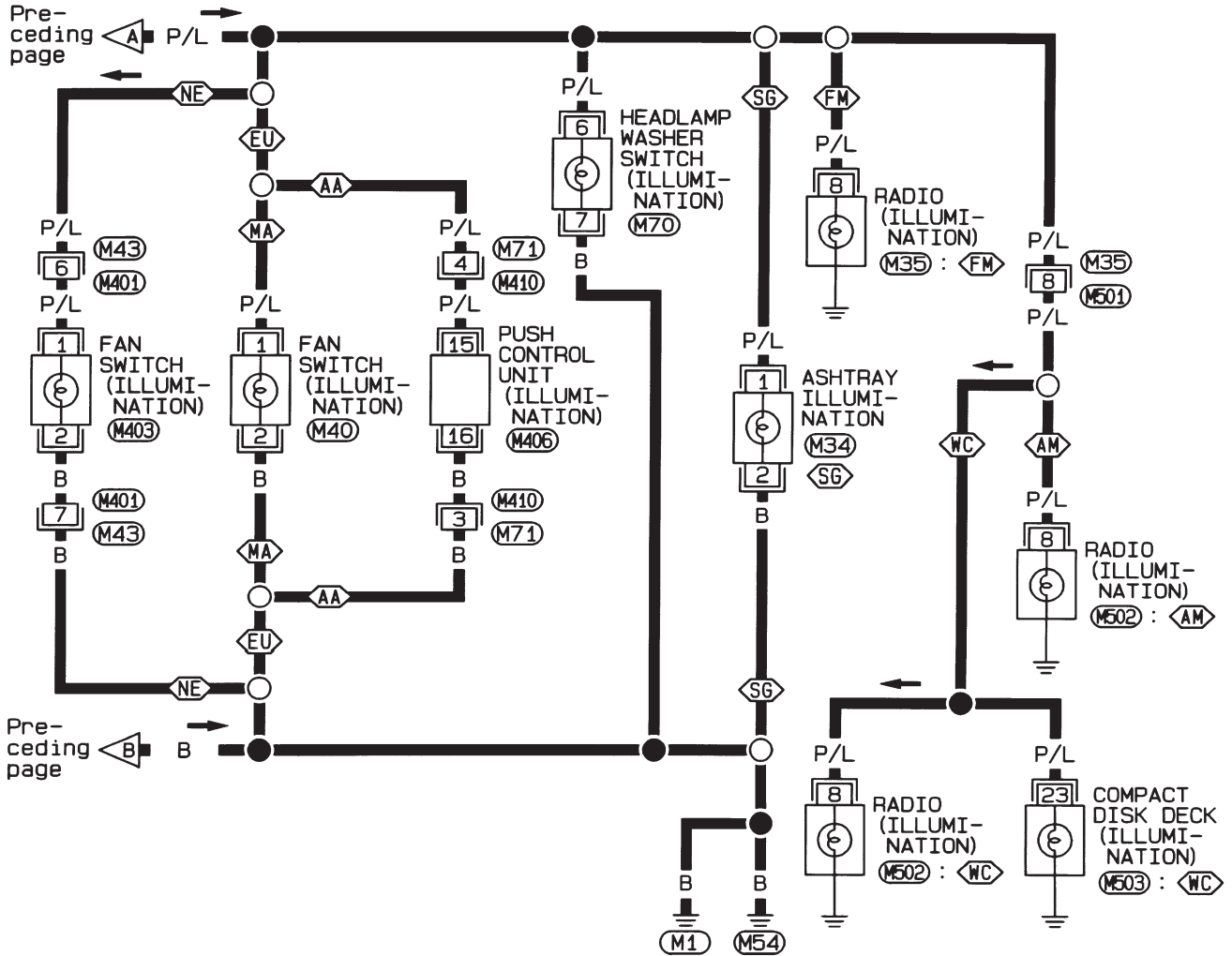
HEL344A

ILLUMINATION

Wiring Diagram — ILL —/LHD Models (Cont'd)

EL-ILL-02

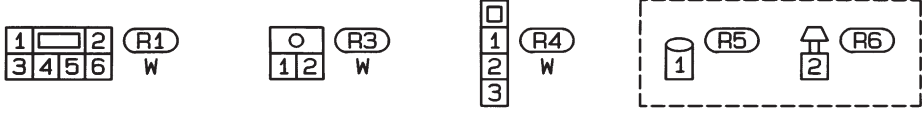
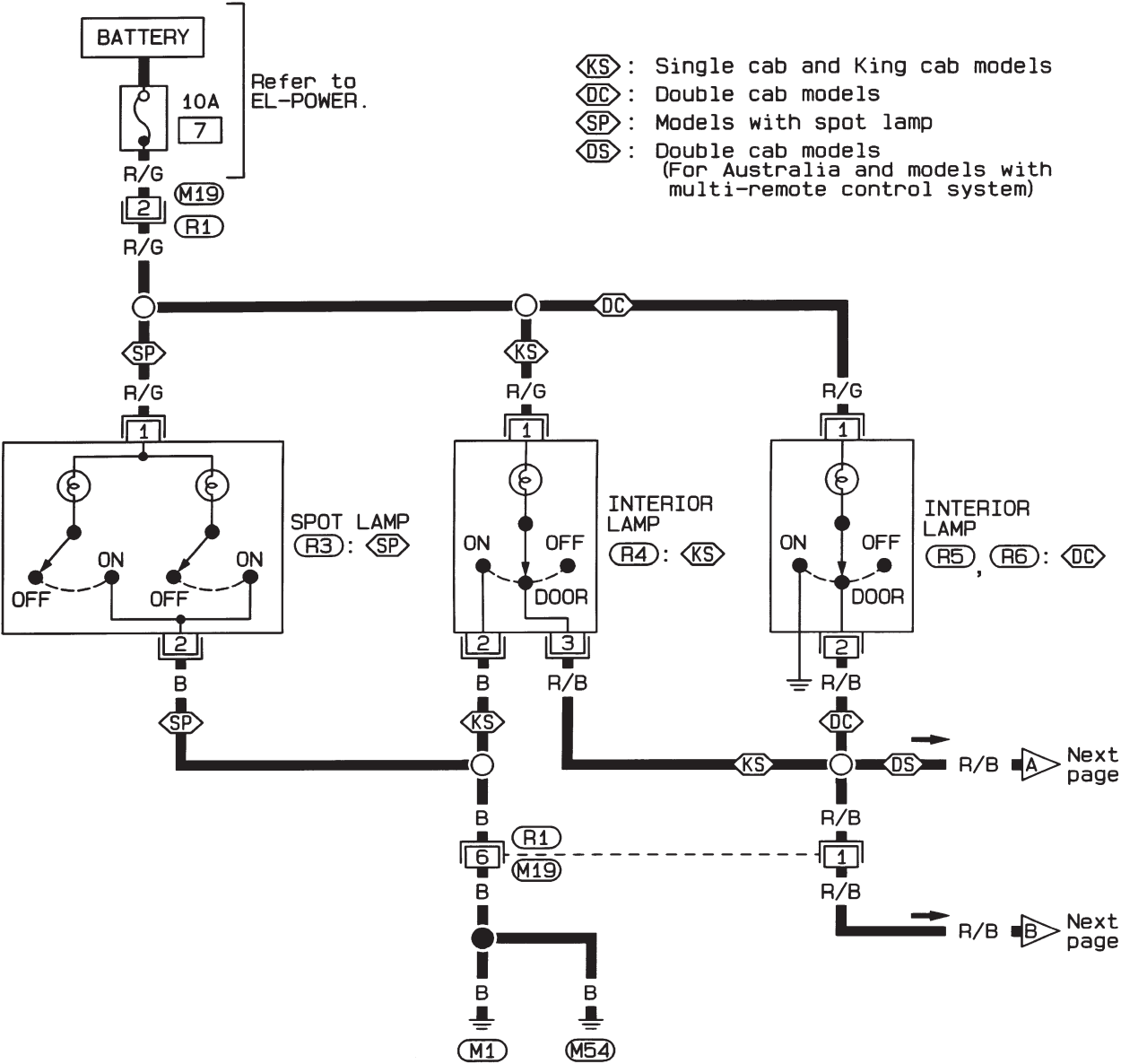
- EU: For Europe
- NE: Except for Europe
- AA: Models with auto A/C
- MA: Models with manual A/C
- WC: Models with CD deck
- AM: Models without CD deck
(1-speaker radio except for Europe)
- FM: Models without CD deck
(For Europe and with 2 or 4-speakers
radio except for Europe)
- SG: GL and S-GL grade for the Middle East



INTERIOR AND SPOT LAMPS

Wiring Diagram — INT/L —

EL-INT/L-01

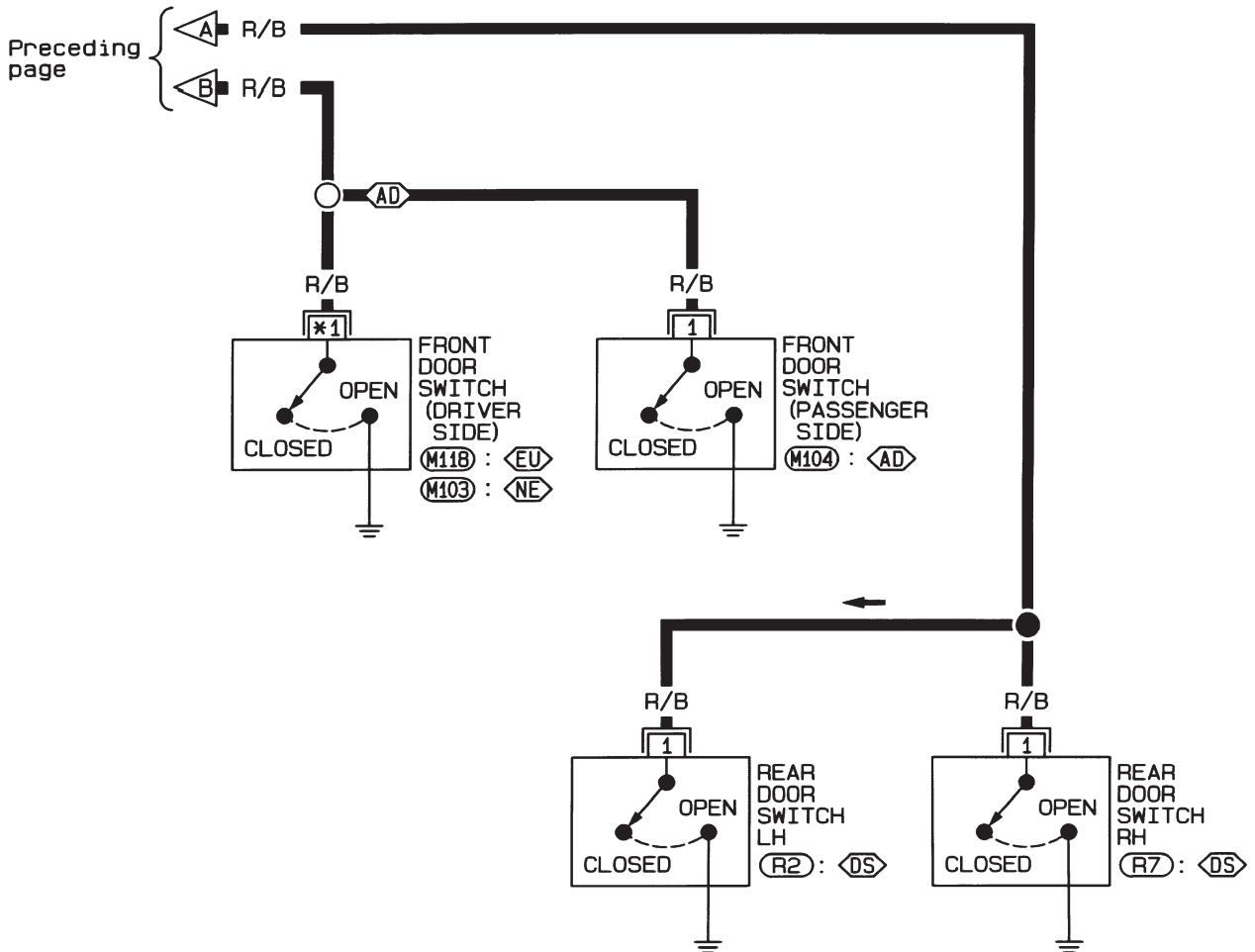


INTERIOR AND SPOT LAMPS

Wiring Diagram — INT/L — (Cont'd)

EL-INT/L-02

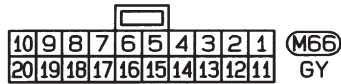
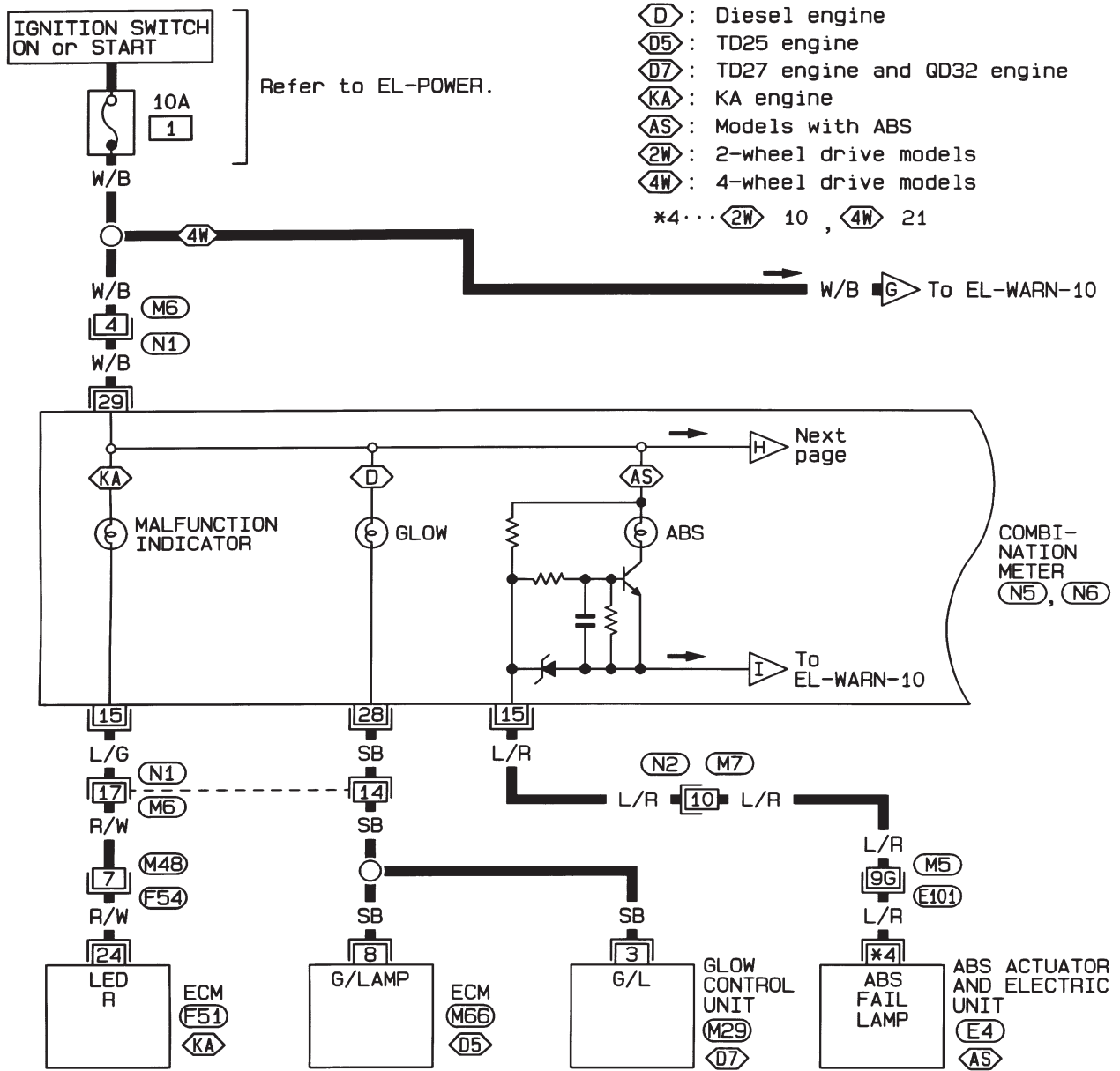
- ⊠EU : For Europe
 - ⊠NE : Except for Europe
 - ⊠AD : For Australia and models with multi-remote control system
 - ⊠DS : Double cab models
(For Australia and models with multi-remote control system)
- *1... ⊠EU 2 , ⊠NE 1



WARNING LAMPS

Wiring Diagram —WARN —/RHD Models

EL—WARN—06



Refer to last page (Foldout page).

M5, E101

F51

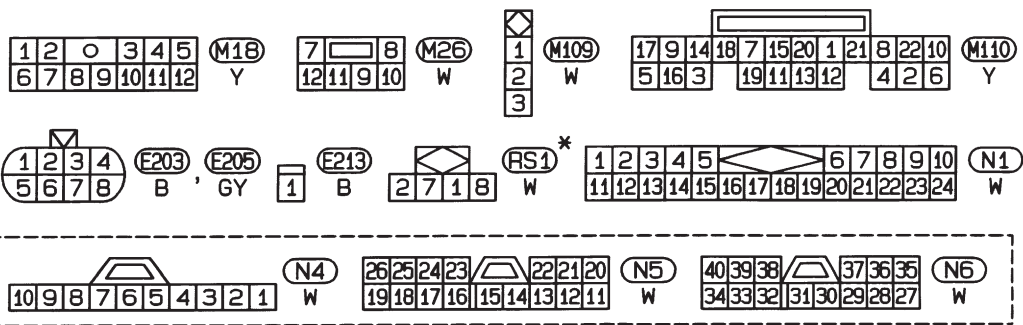
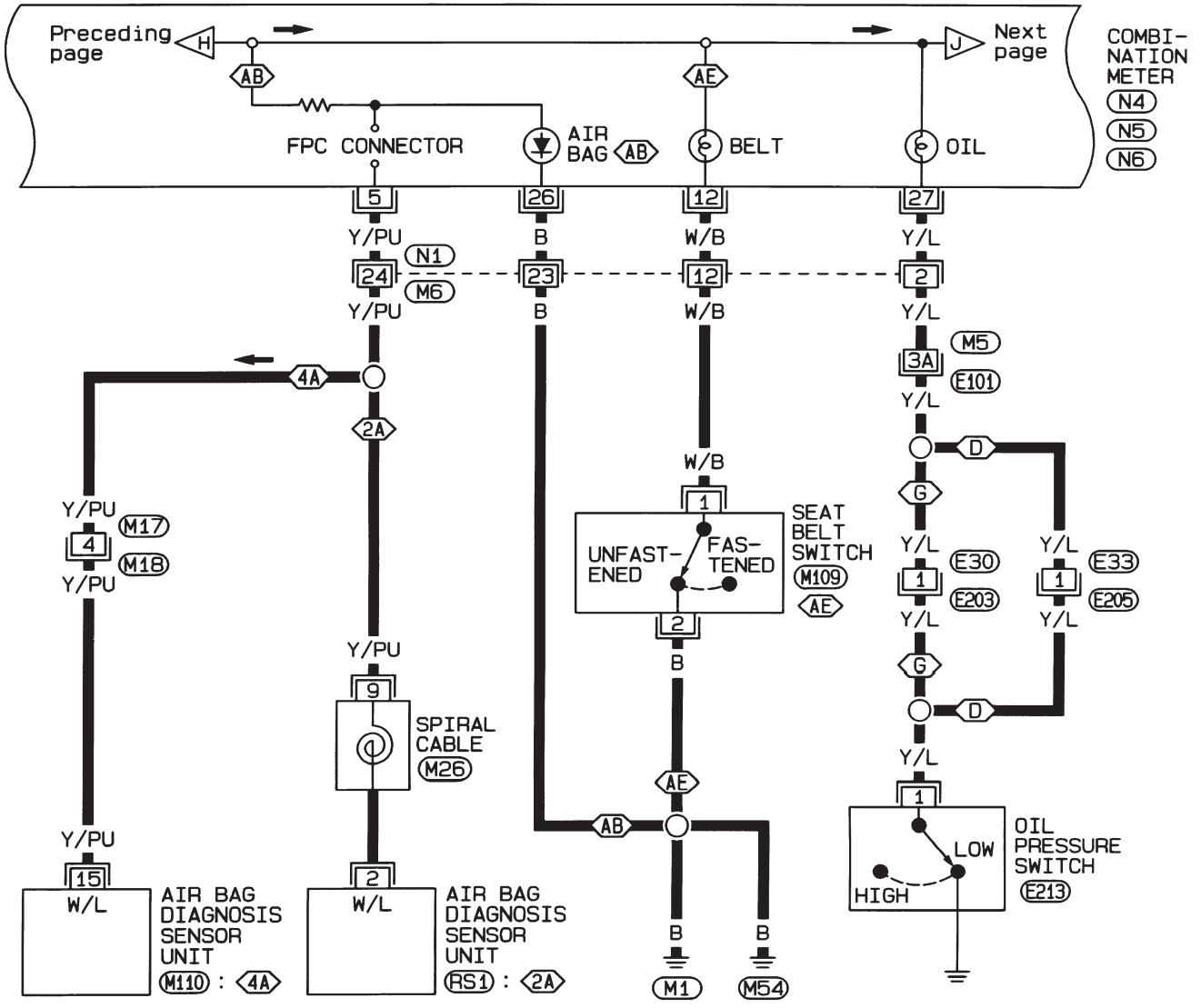
E4

WARNING LAMPS

Wiring Diagram —WARN —/RHD Models (Cont'd)

EL-WARN-07

- G : Gasoline engine
- D : Diesel engine
- AE : For Europe and Australia
- AB : Models with air bag system
- 2A : 2WD models with air bag system
- 4A : 4WD models with air bag system



Refer to last page (Foldout page).

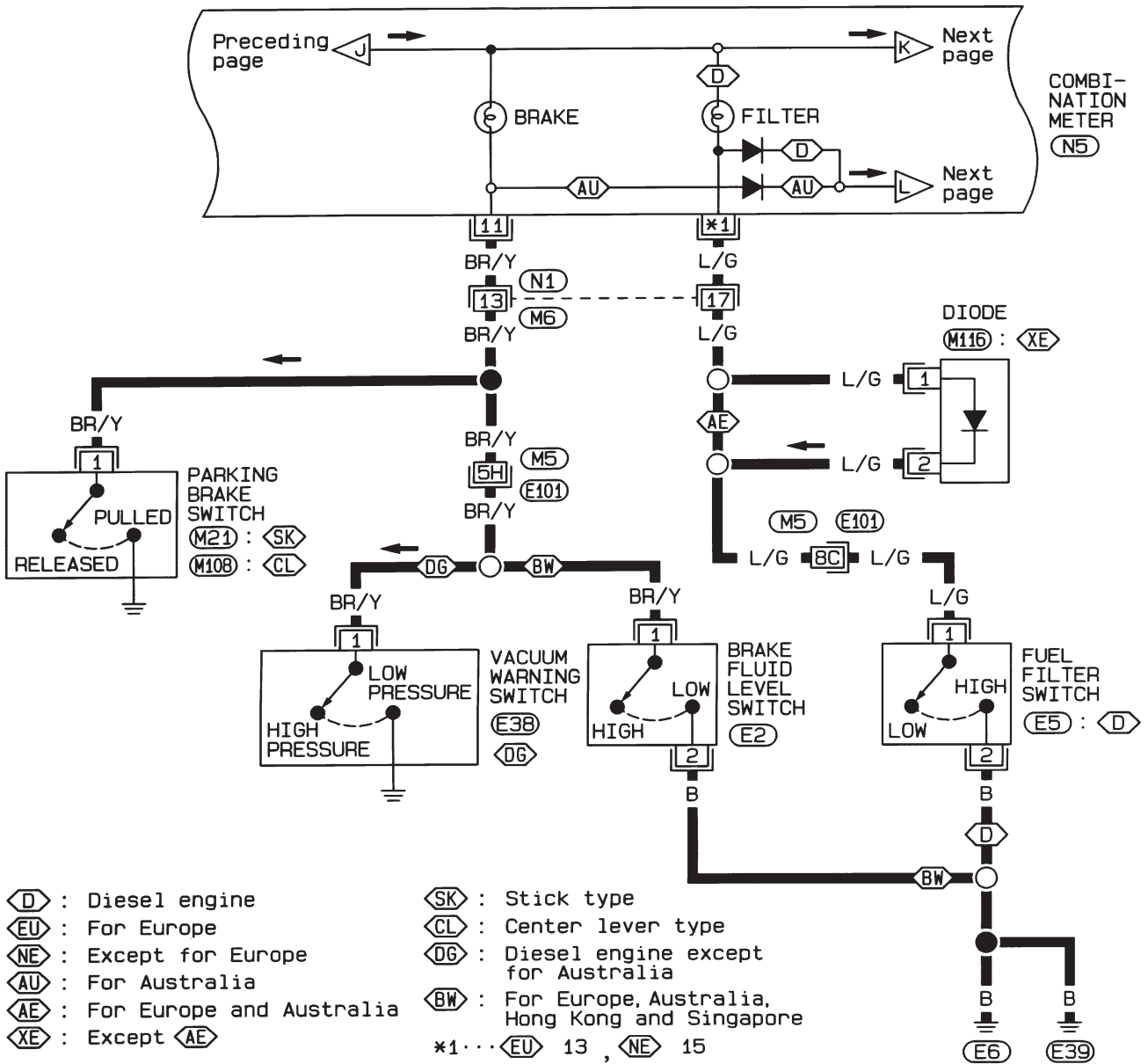
M5, E101

* : This connector is not shown in "HARNES LAYOUT".

WARNING LAMPS

Wiring Diagram —WARN —/RHD Models (Cont'd)

EL-WARN-08



Refer to last page (Foldout page).

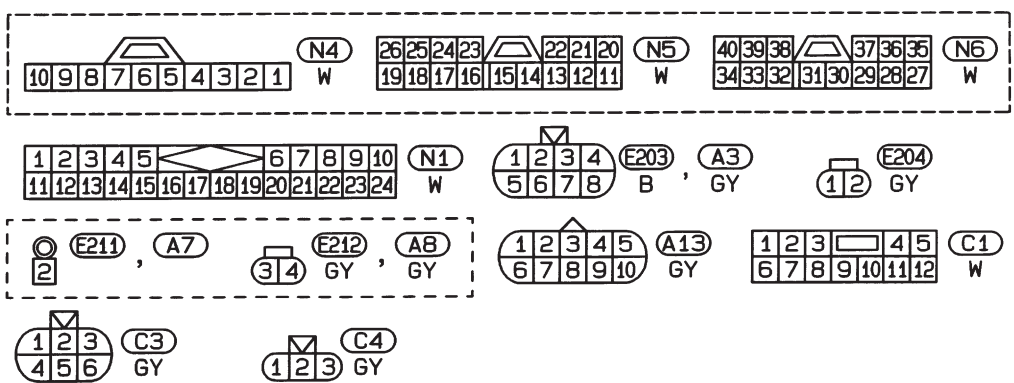
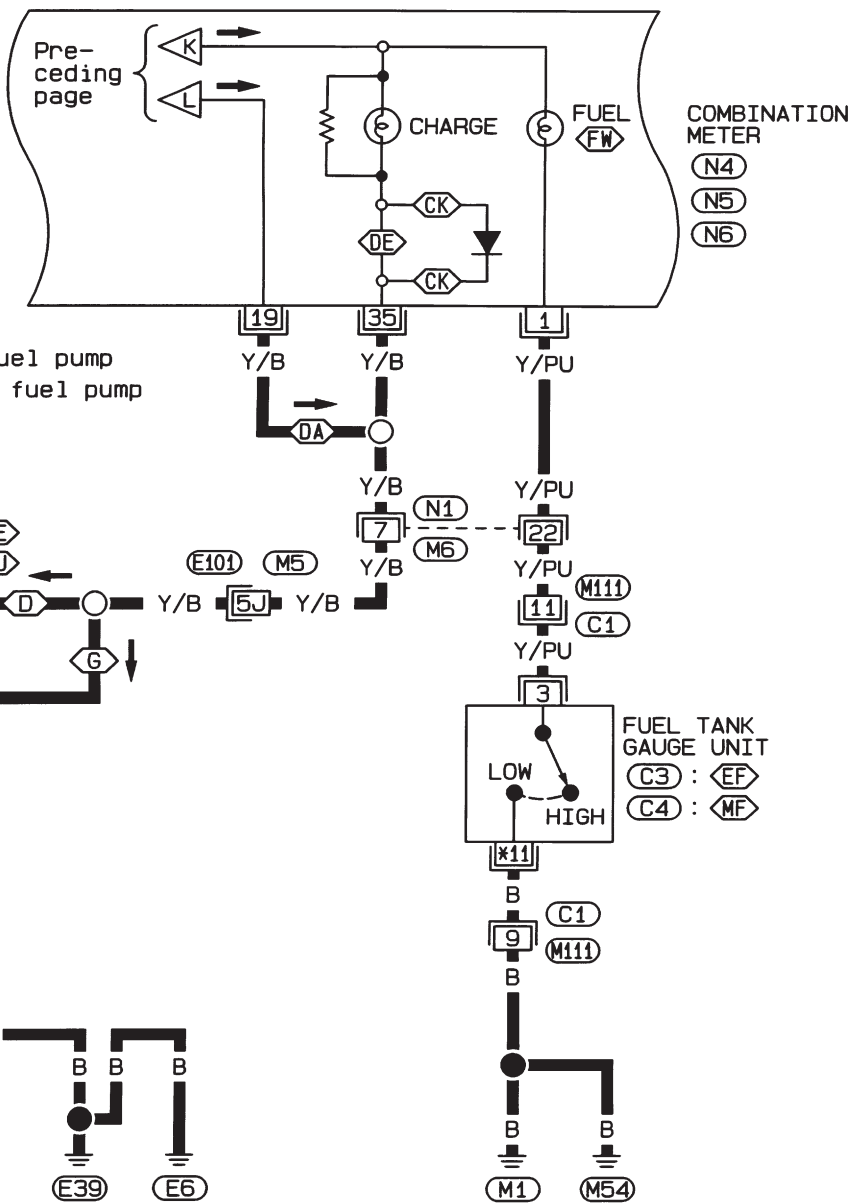
(M5), (E101)

WARNING LAMPS

Wiring Diagram —WARN —/RHD Models (Cont'd)

EL-WARN-09

- G** : Gasoline engine
- D** : Diesel engine
- EU** : For Europe
- NE** : Except for Europe
- DA** : Diesel engine or for Australia
- CK** : KA engine without tachometer and carburetor engine
- DE** : Except **CK**
- FW** : KA engine except STD grade and QD engine single cab DX grade for Australia
- EF** : Models with electric fuel pump
- MF** : Models with mechanical fuel pump
- *7... **EU** 8 , **NE** 6
- *11... **EF** 4 , **MF** 2



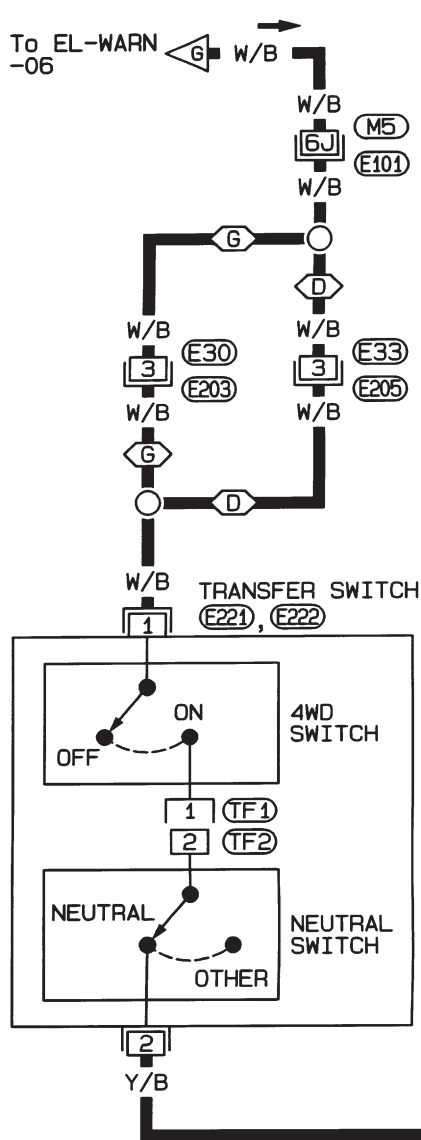
Refer to last page (Foldout page).

M5 , **E101**

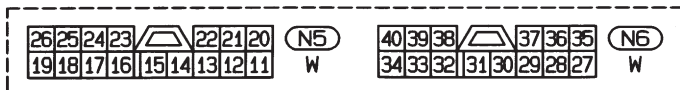
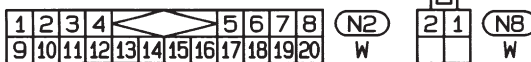
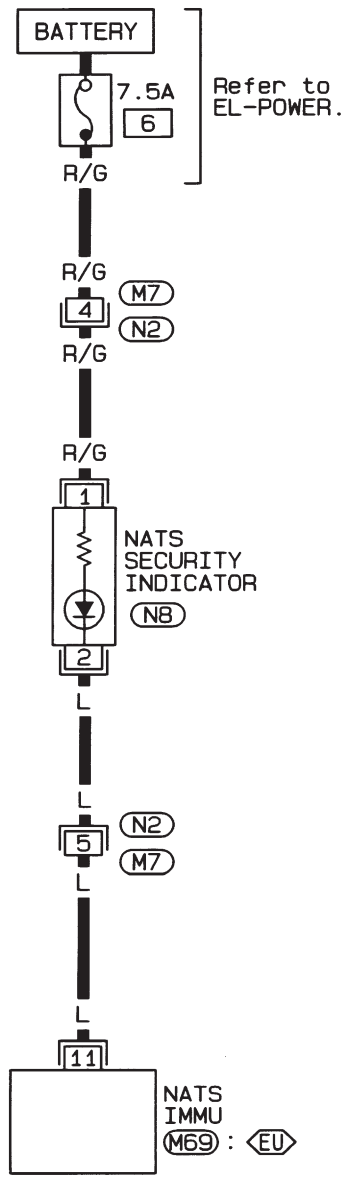
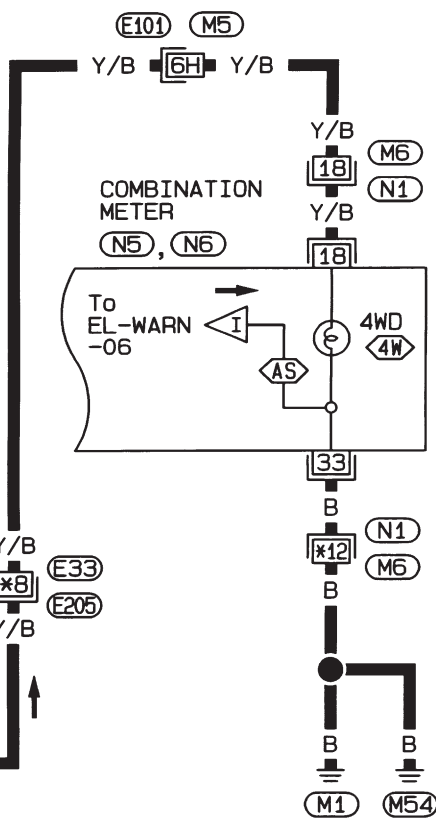
WARNING LAMPS

Wiring Diagram —WARN —/RHD Models (Cont'd)

EL-WARN-10



- ⊠G : Gasoline engine
- ⊠D : Diesel engine
- ⊠EU : For Europe
- ⊠NE : Except for Europe
- ⊠4W : 4-wheel drive models
- ⊠AS : Model with ABS
- *8... ⊠G 4 , ⊠D 7
- *12... ⊠EU 23 , ⊠NE 15



* : This connector is not shown in "HARNES LAYOUT".

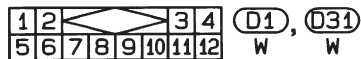
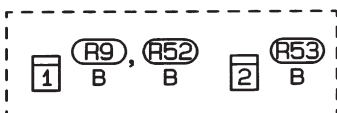
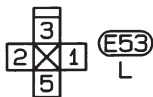
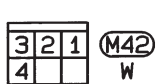
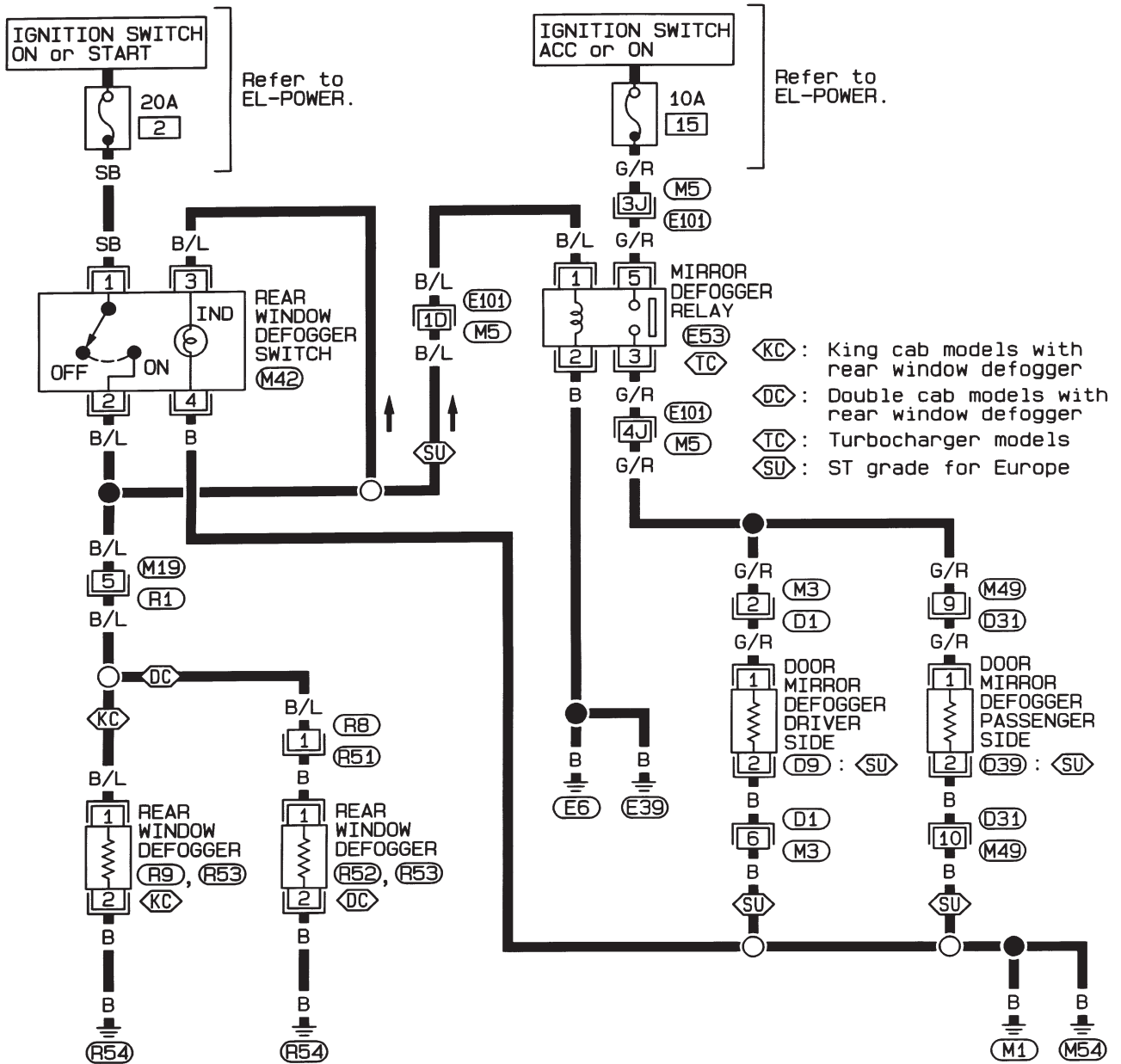
Refer to last page
(Foldout page).

M5 , E101

REAR WINDOW DEFOGGER & MIRROR DEFOGGER

Wiring Diagram — DEF —

EL-DEF-01



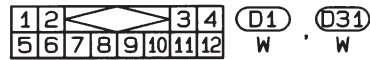
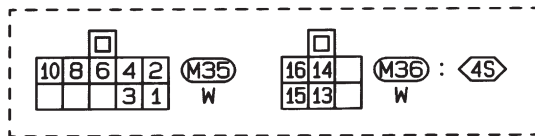
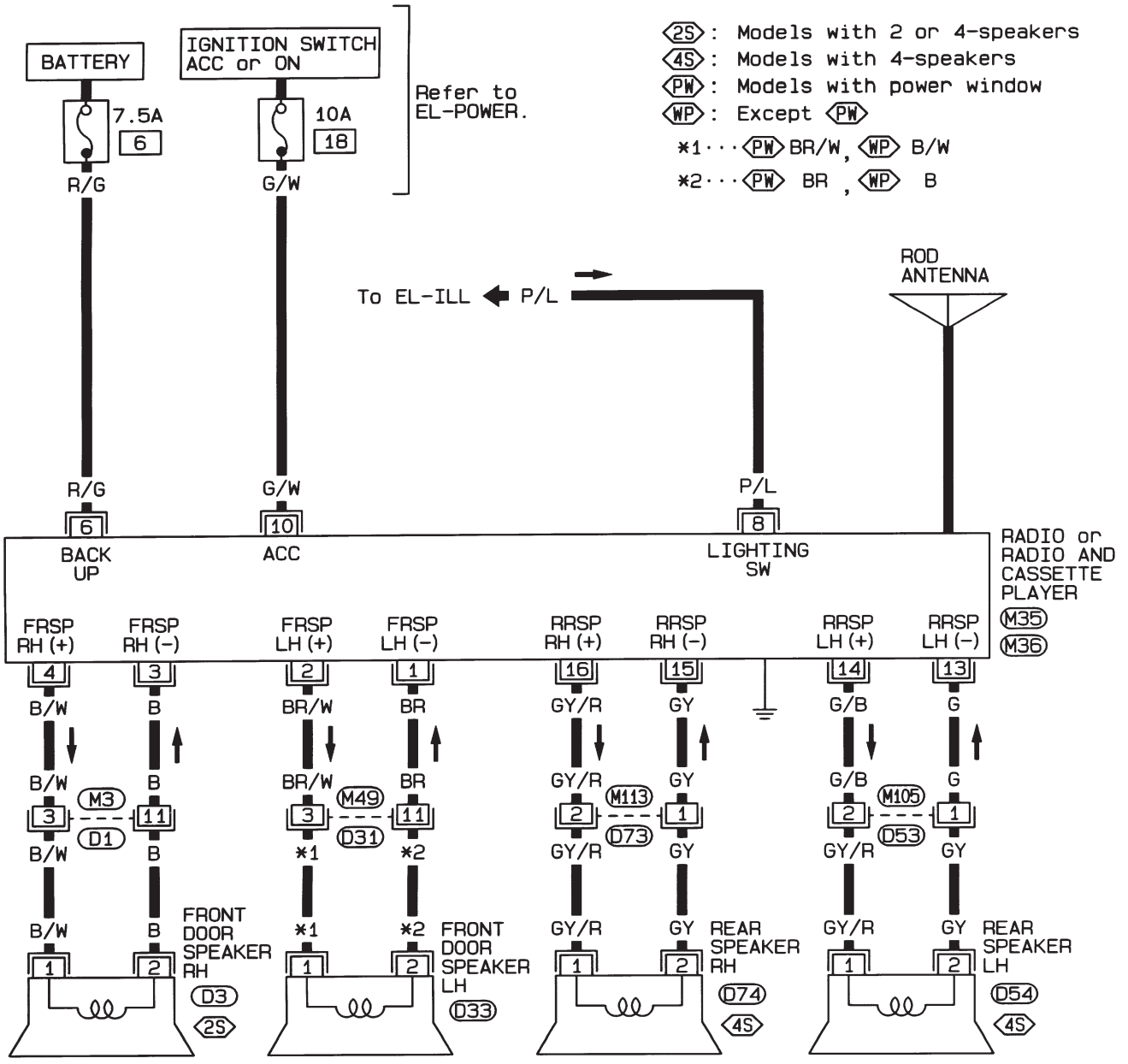
Refer to last page (Foldout page).

M5, E101

AUDIO

Wiring Diagram — AUDIO —/RHD Models

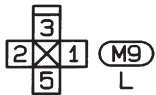
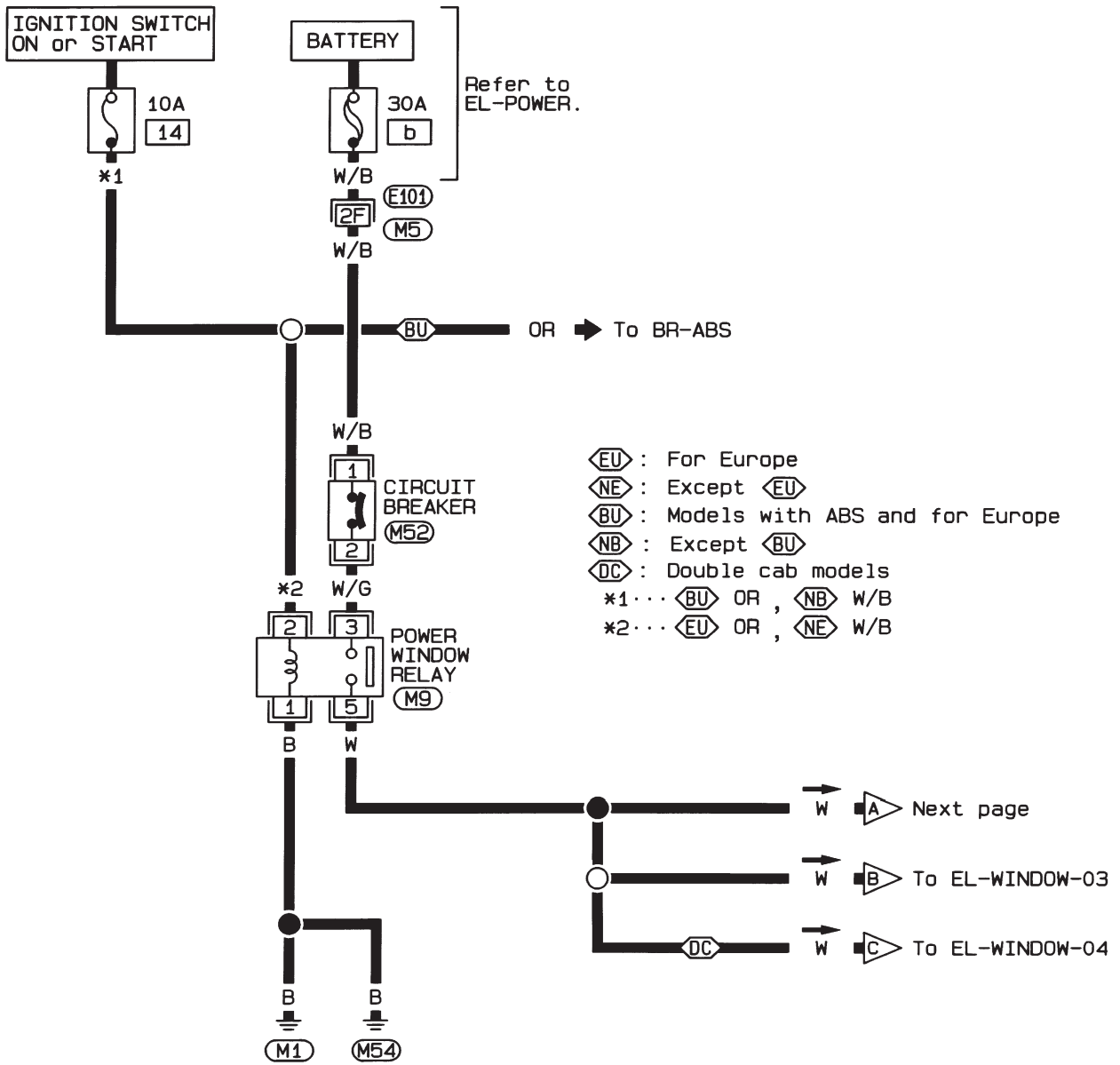
EL-AUDIO-05



POWER WINDOW

Wiring Diagram — WINDOW —/LHD Models

EL-WINDOW-01



Refer to last page (Foldout page).

(M5), (E101)

POWER WINDOW

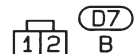
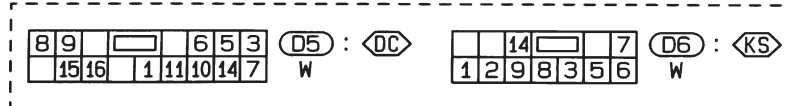
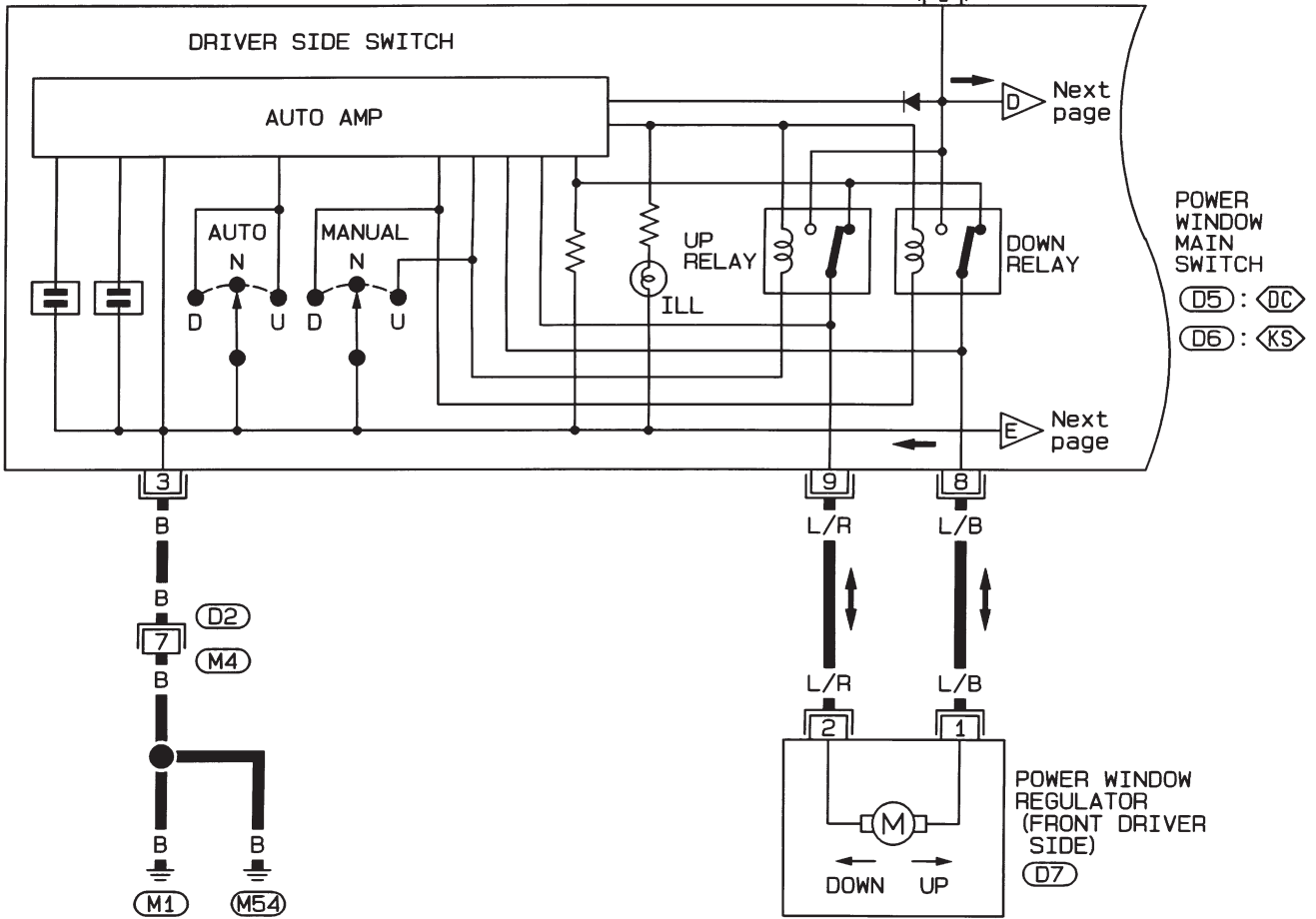
Wiring Diagram — WINDOW —/LHD Models (Cont'd)

EL-WINDOW-02

Preceding page



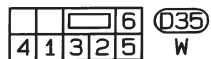
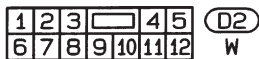
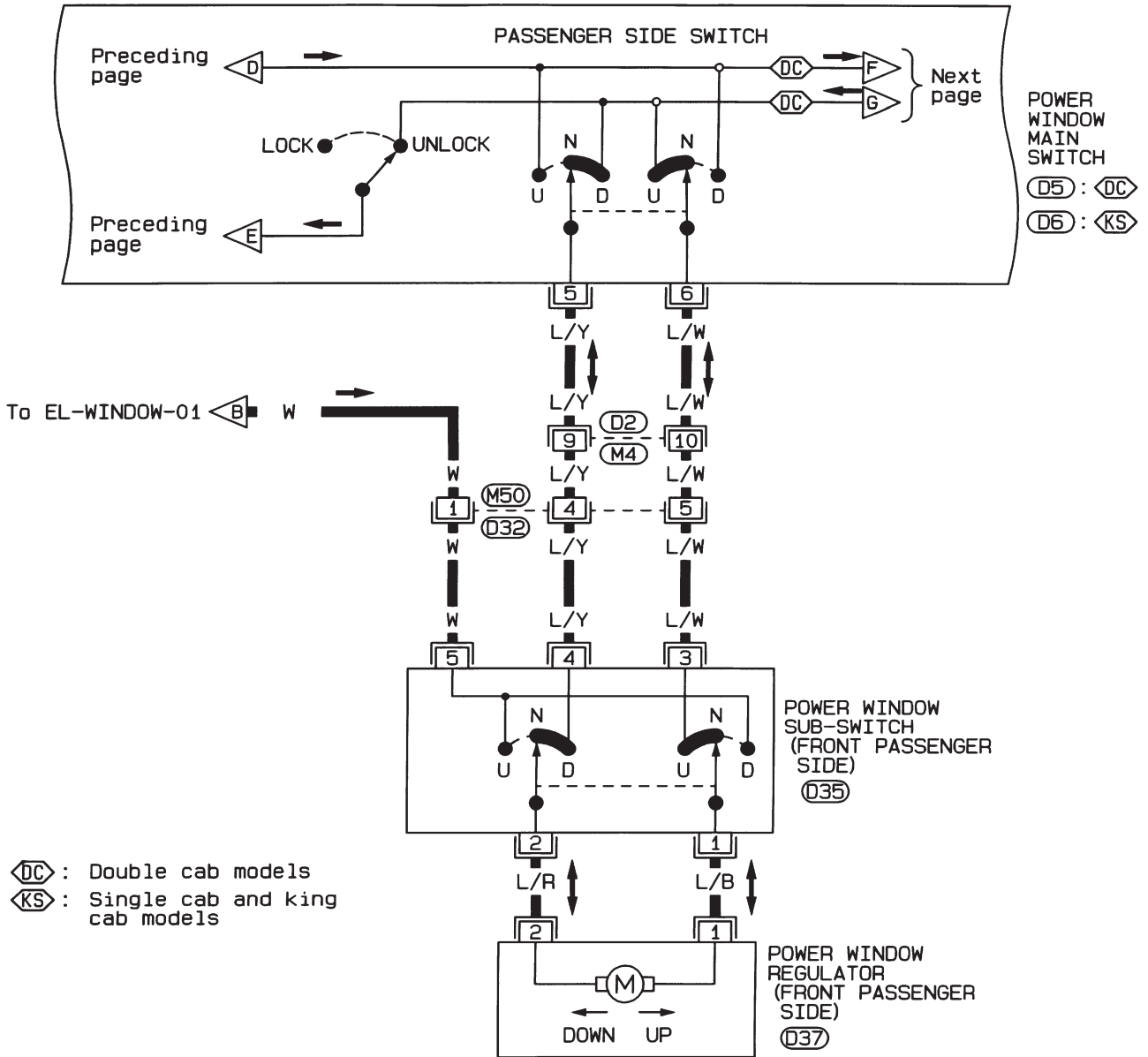
ⓀC : Double cab models
ⓀS : Single cab and king cab models



POWER WINDOW

Wiring Diagram — WINDOW —/LHD Models (Cont'd)

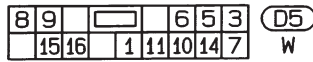
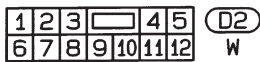
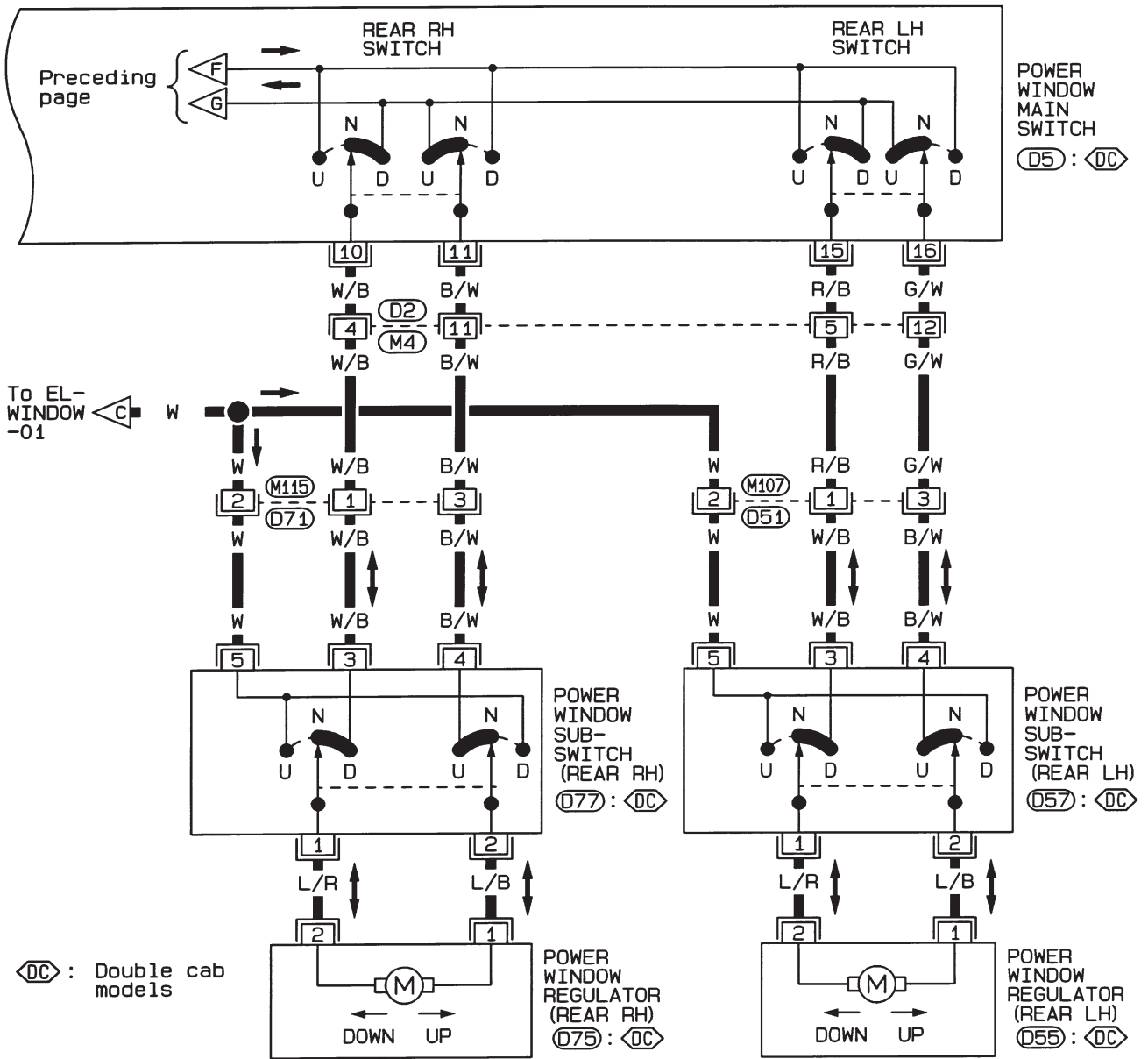
EL-WINDOW-03



POWER WINDOW

Wiring Diagram — WINDOW —/LHD Models (Cont'd)

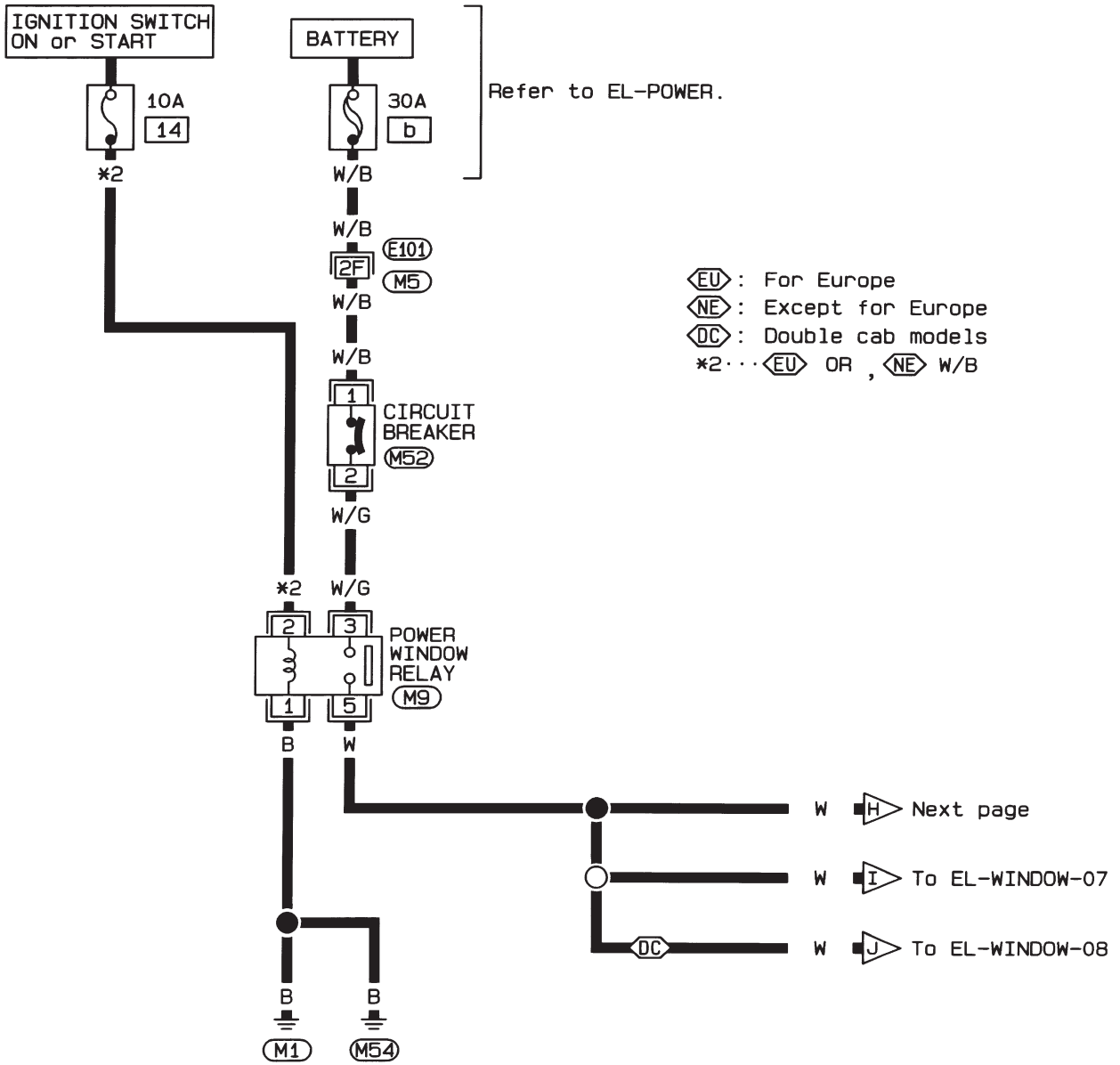
EL-WINDOW-04



POWER WINDOW

Wiring Diagram — WINDOW —/RHD Models

EL-WINDOW-05



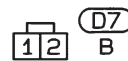
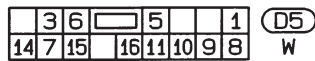
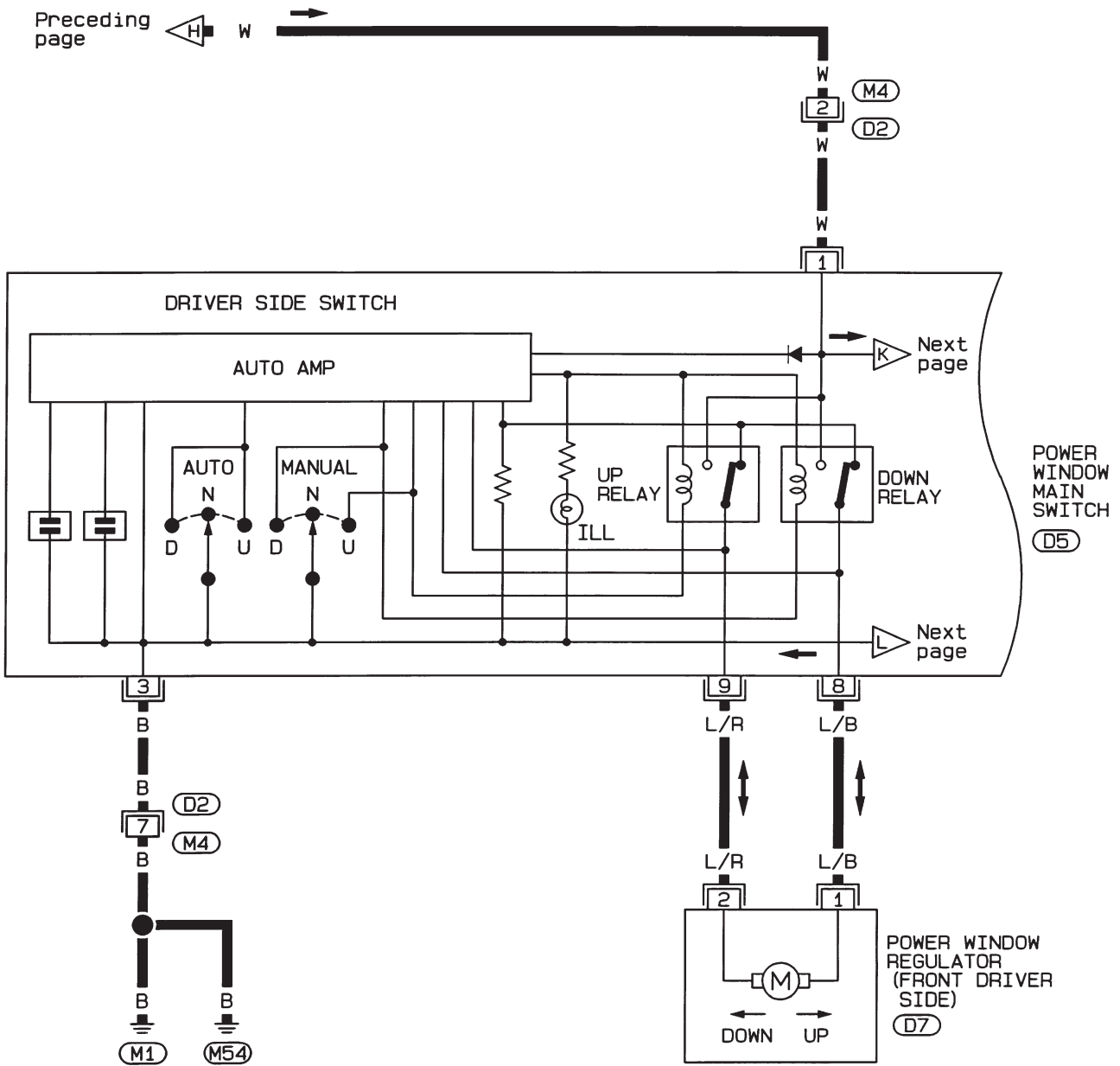
Refer to last page (Foldout page).

(M5) , (E101)

POWER WINDOW

Wiring Diagram — WINDOW —/RHD Models (Cont'd)

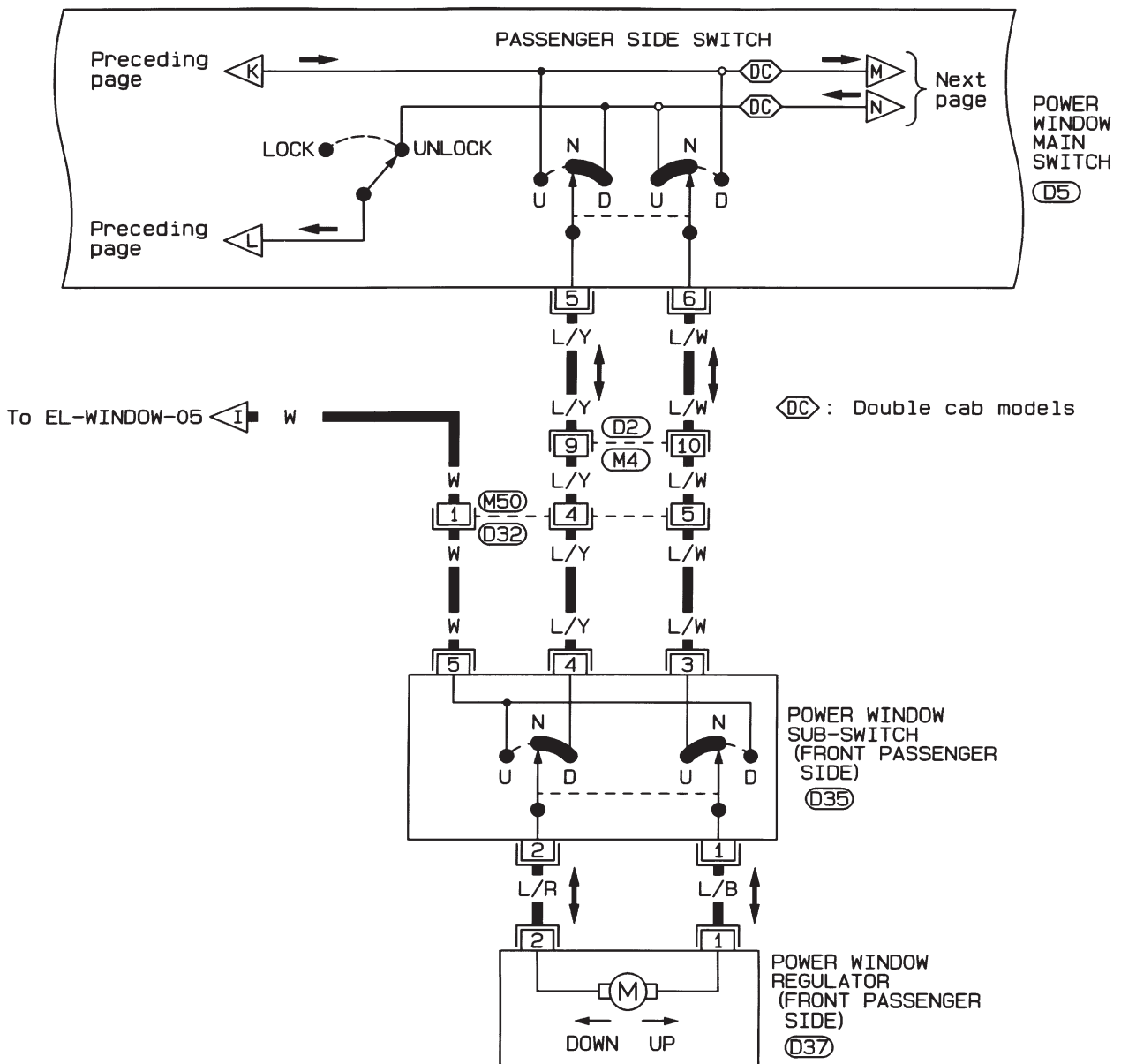
EL-WINDOW-06



POWER WINDOW

Wiring Diagram — WINDOW —/RHD Models (Cont'd)

EL-WINDOW-07



1	2	3	4	5	(D2)		
6	7	8	9	10	11	12	W

3	6	5	1	(D5)				
14	7	15	16	11	10	9	8	W

1	2	(D32)		
3	4	5	6	W

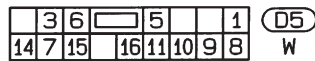
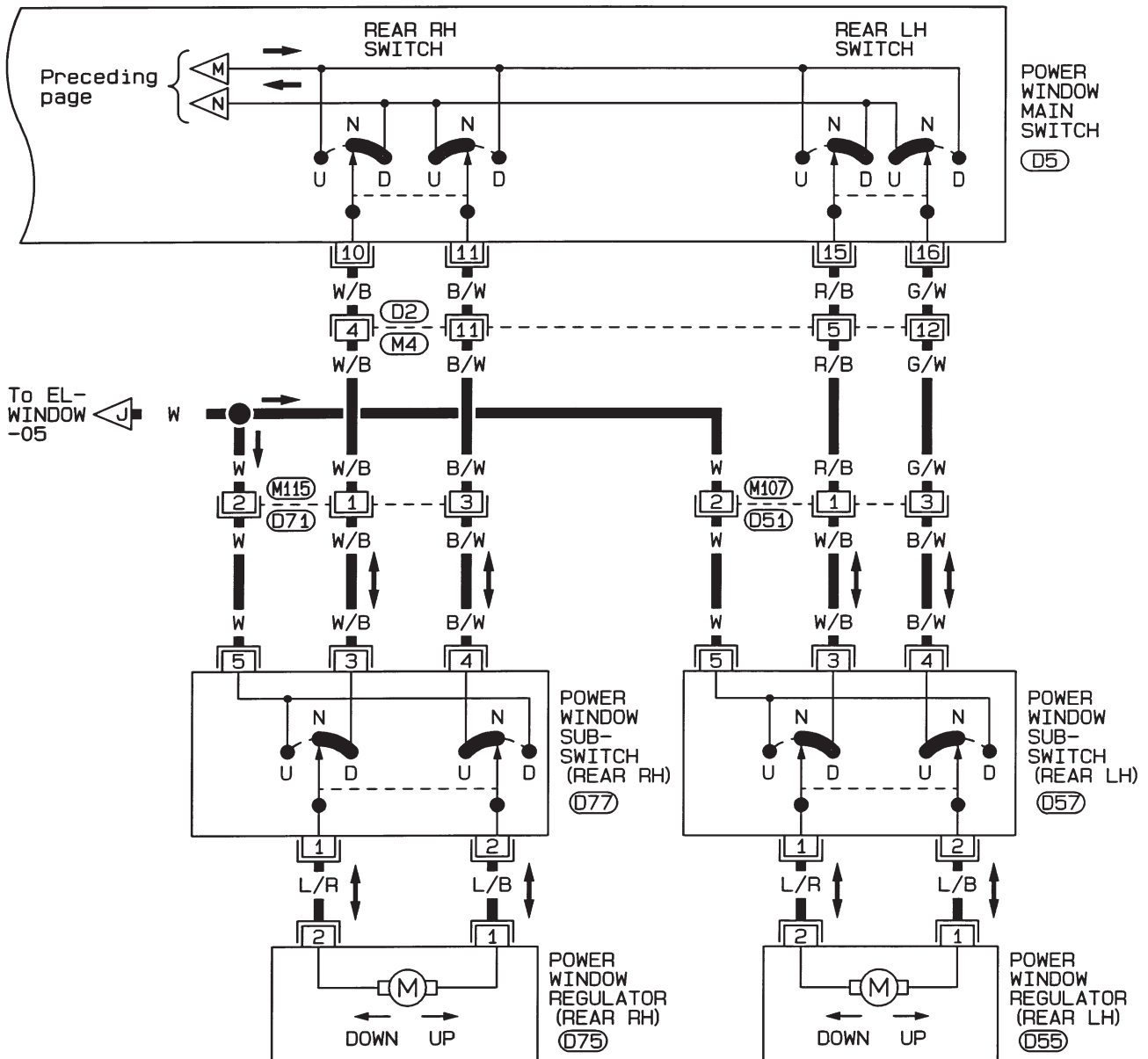
6	(D35)				
4	1	3	2	5	W

1	2	(D37)
1	2	B

POWER WINDOW

Wiring Diagram — WINDOW —/RHD Models (Cont'd)

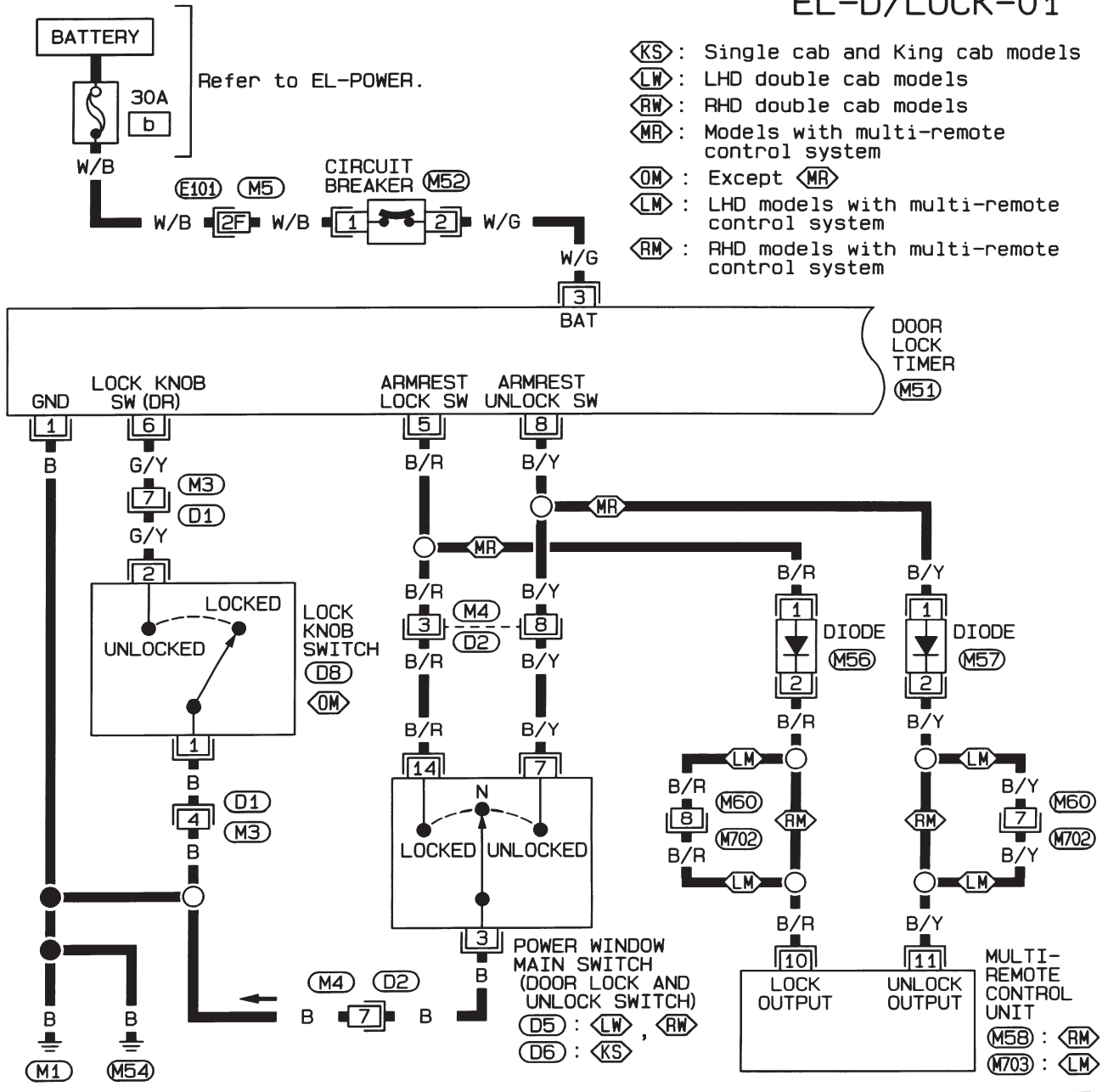
EL-WINDOW-08



POWER DOOR LOCK

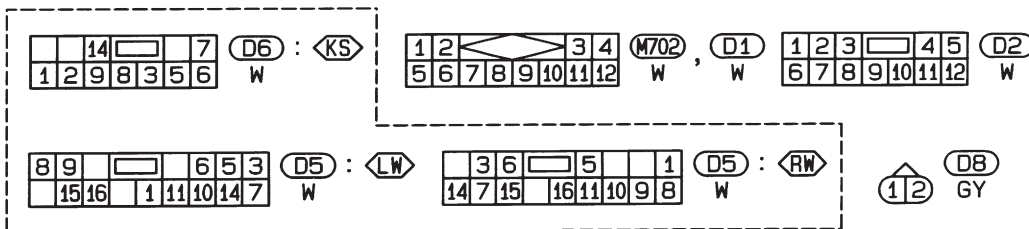
Wiring Diagram — D/LOCK —

EL-D/LOCK-01



Refer to last page (Foldout page).

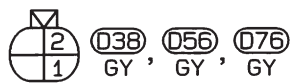
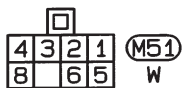
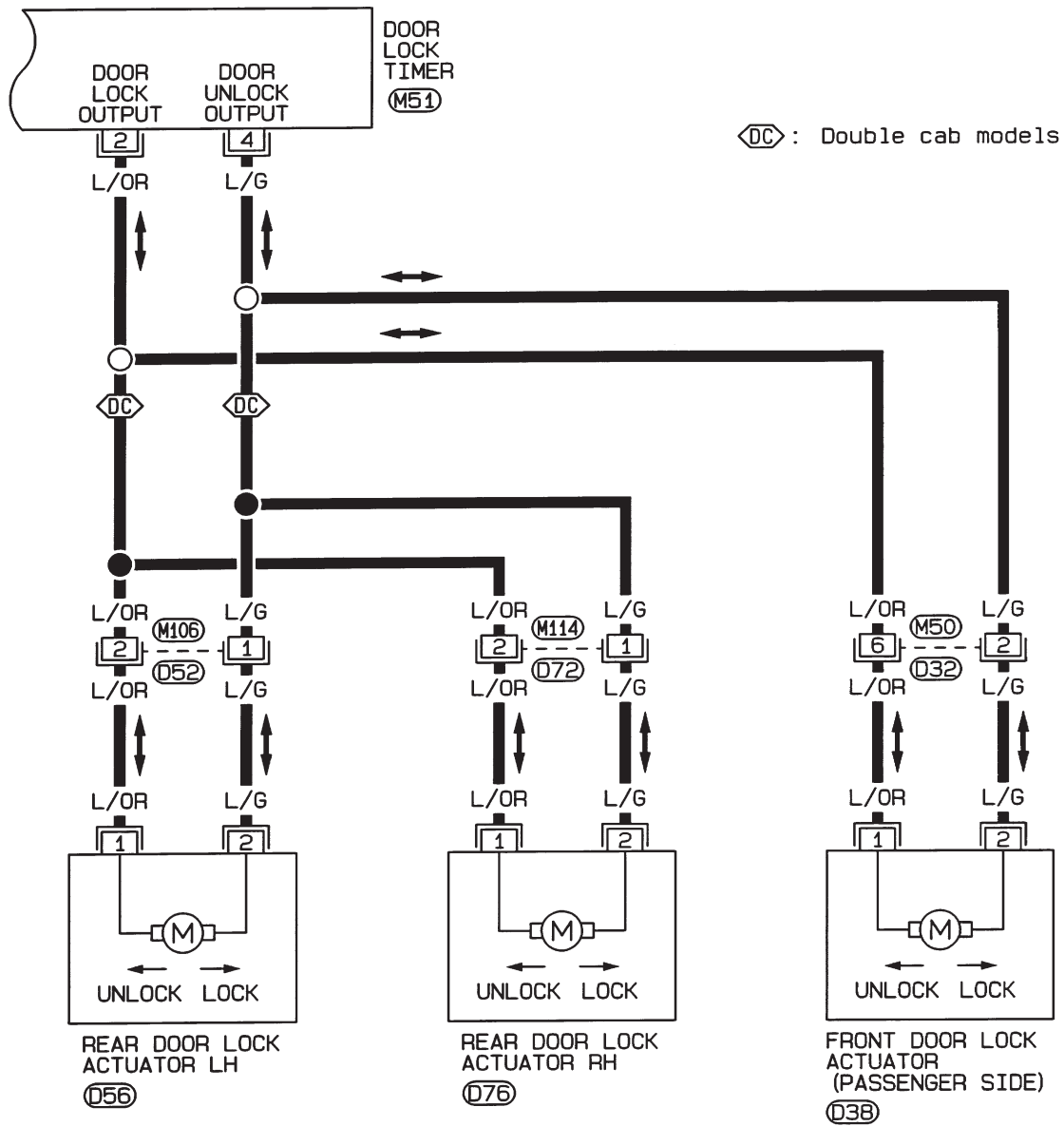
M5, E101



POWER DOOR LOCK

Wiring Diagram — D/LOCK — (Cont'd)

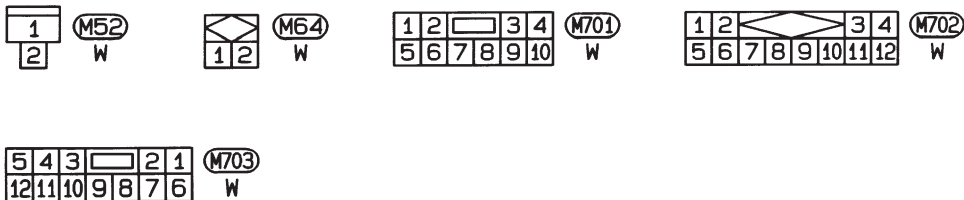
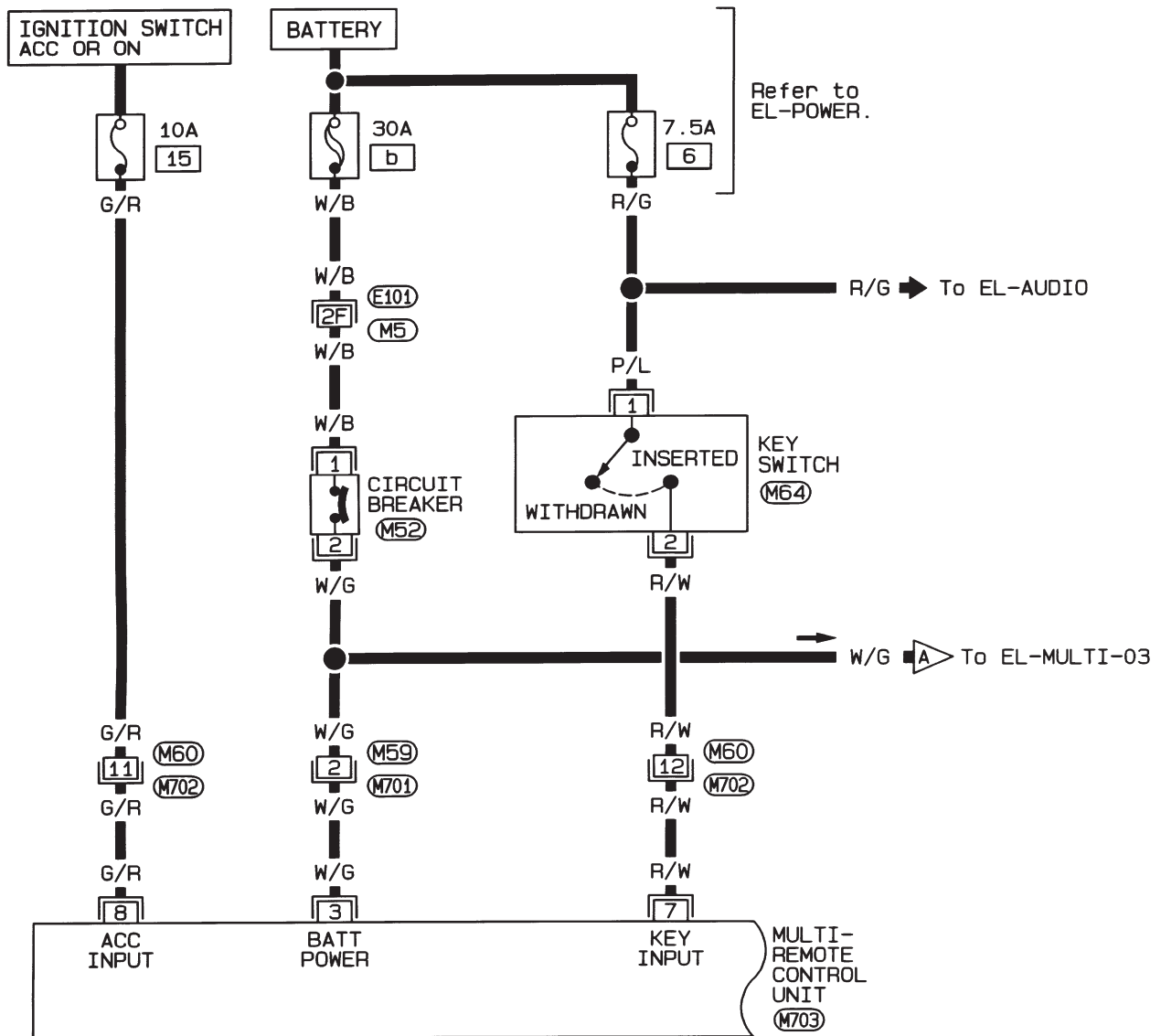
EL-D/LOCK-02



MULTI-REMOTE CONTROL SYSTEM/FOR EUROPE

Wiring Diagram — MULTI —/LHD Models

EL-MULTI-01



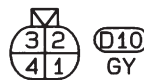
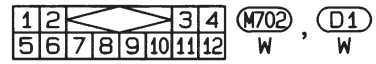
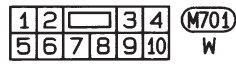
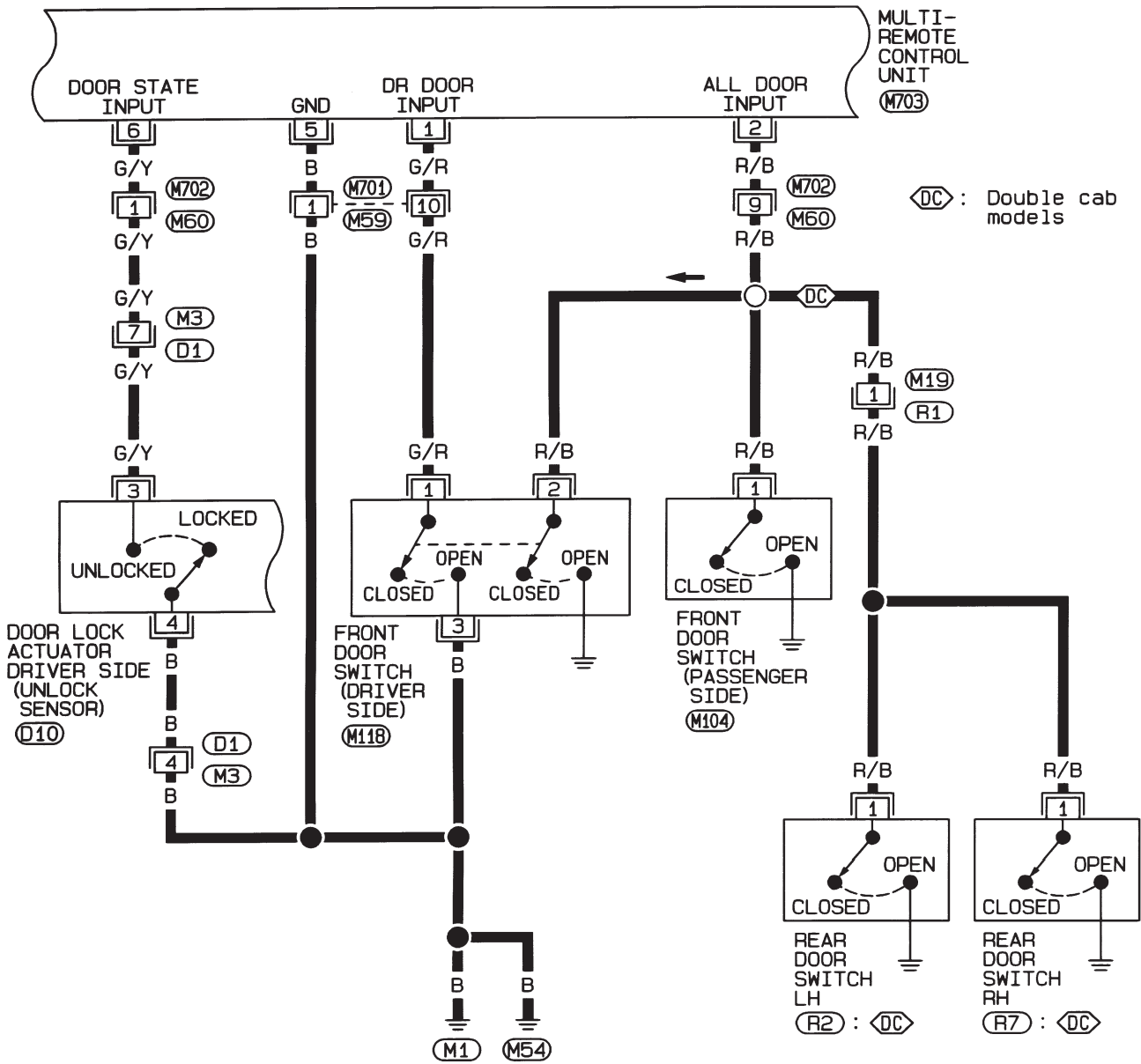
Refer to last page (Foldout page).

(M5), (E101)

MULTI-REMOTE CONTROL SYSTEM/FOR EUROPE

Wiring Diagram — MULTI —/LHD Models (Cont'd)

EL-MULTI-02

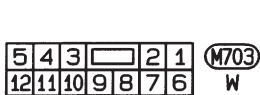
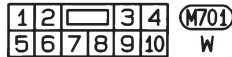
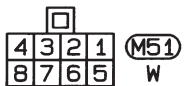
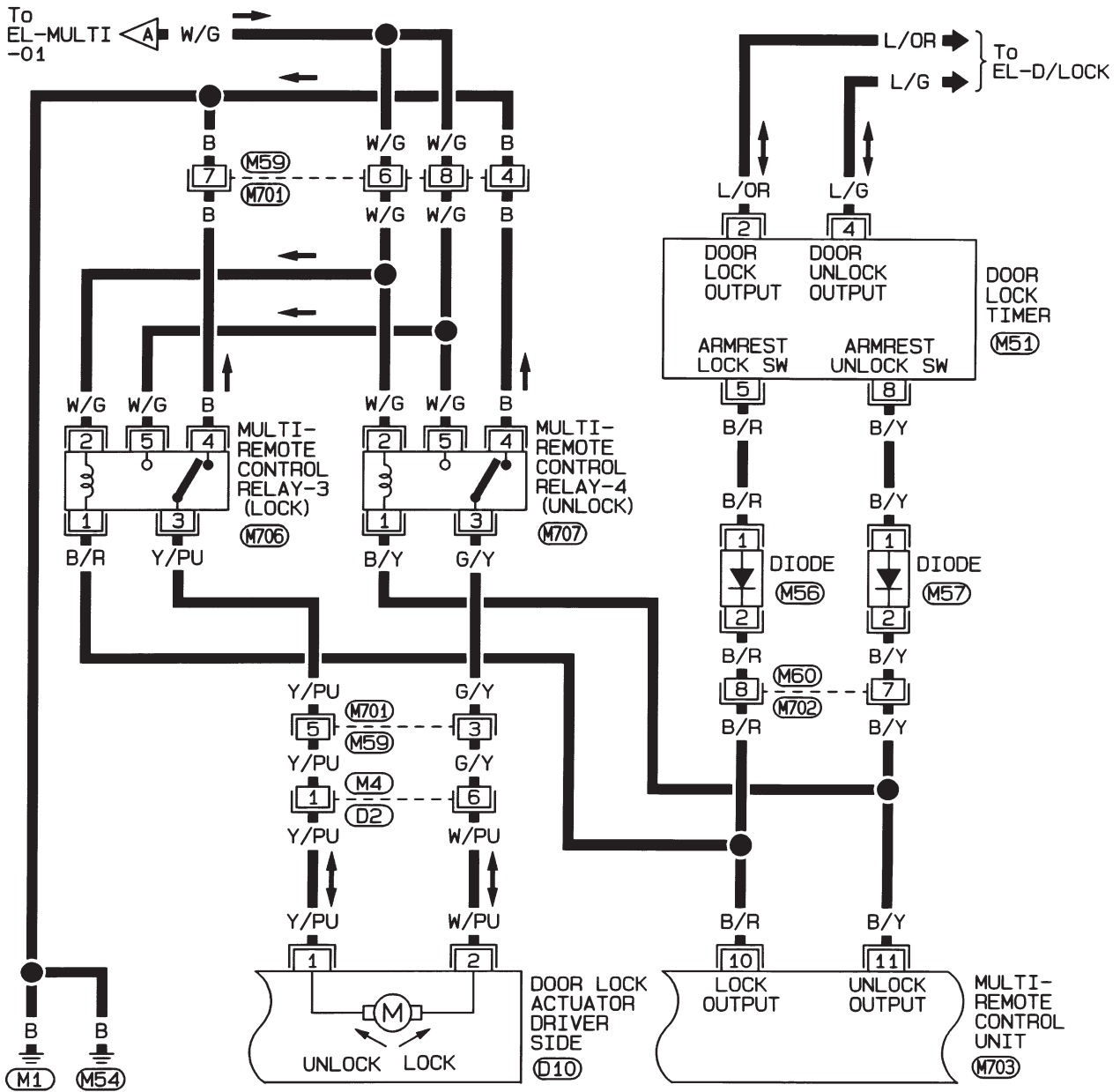


HEL488A

MULTI-REMOTE CONTROL SYSTEM/FOR EUROPE

Wiring Diagram — MULTI —/LHD Models (Cont'd)

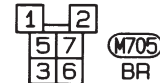
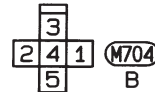
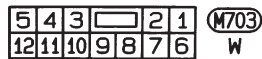
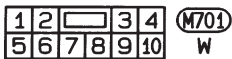
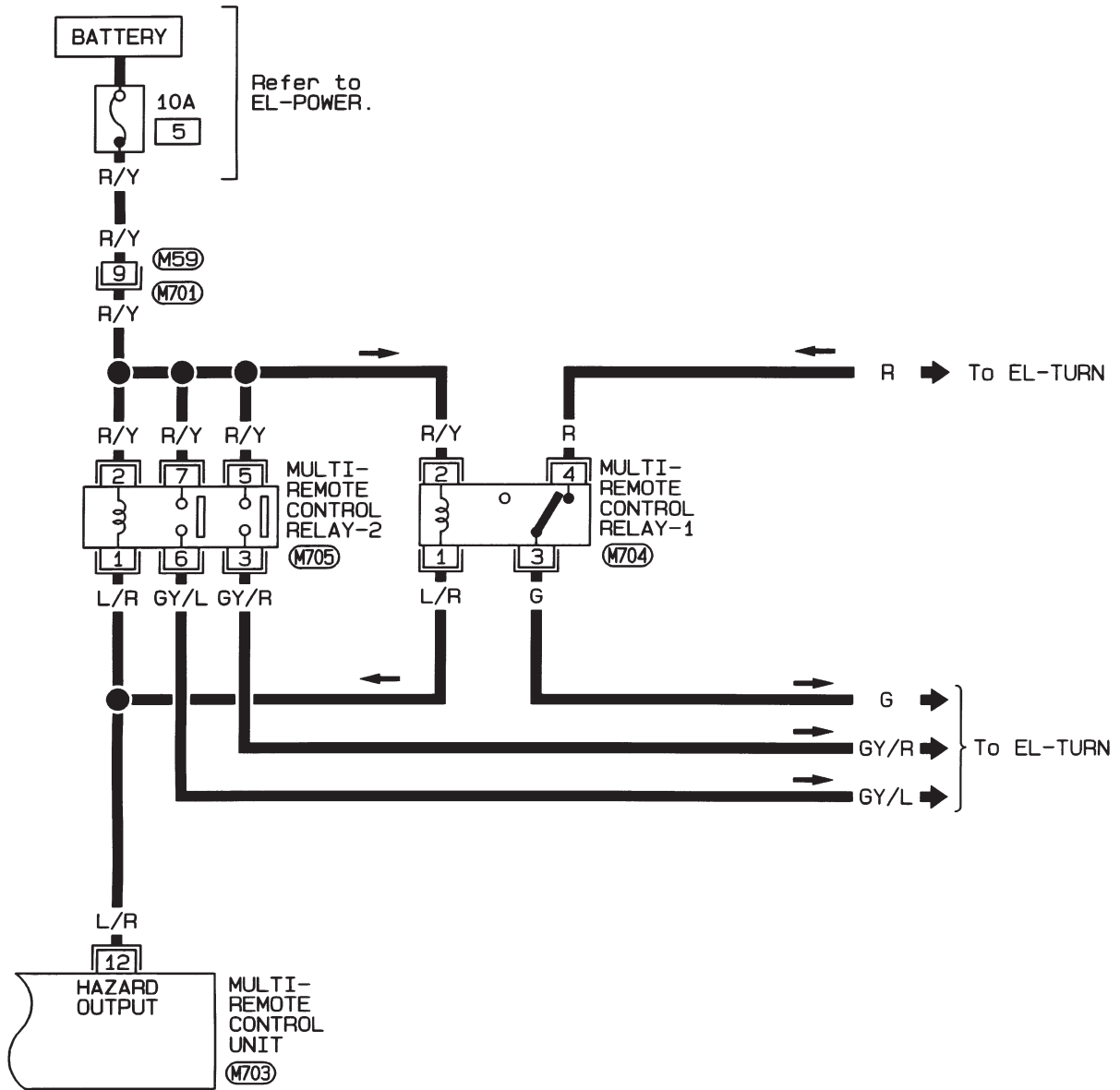
EL-MULTI-03



MULTI-REMOTE CONTROL SYSTEM/FOR EUROPE

Wiring Diagram — MULTI —/LHD Models (Cont'd)

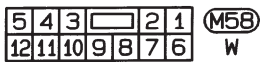
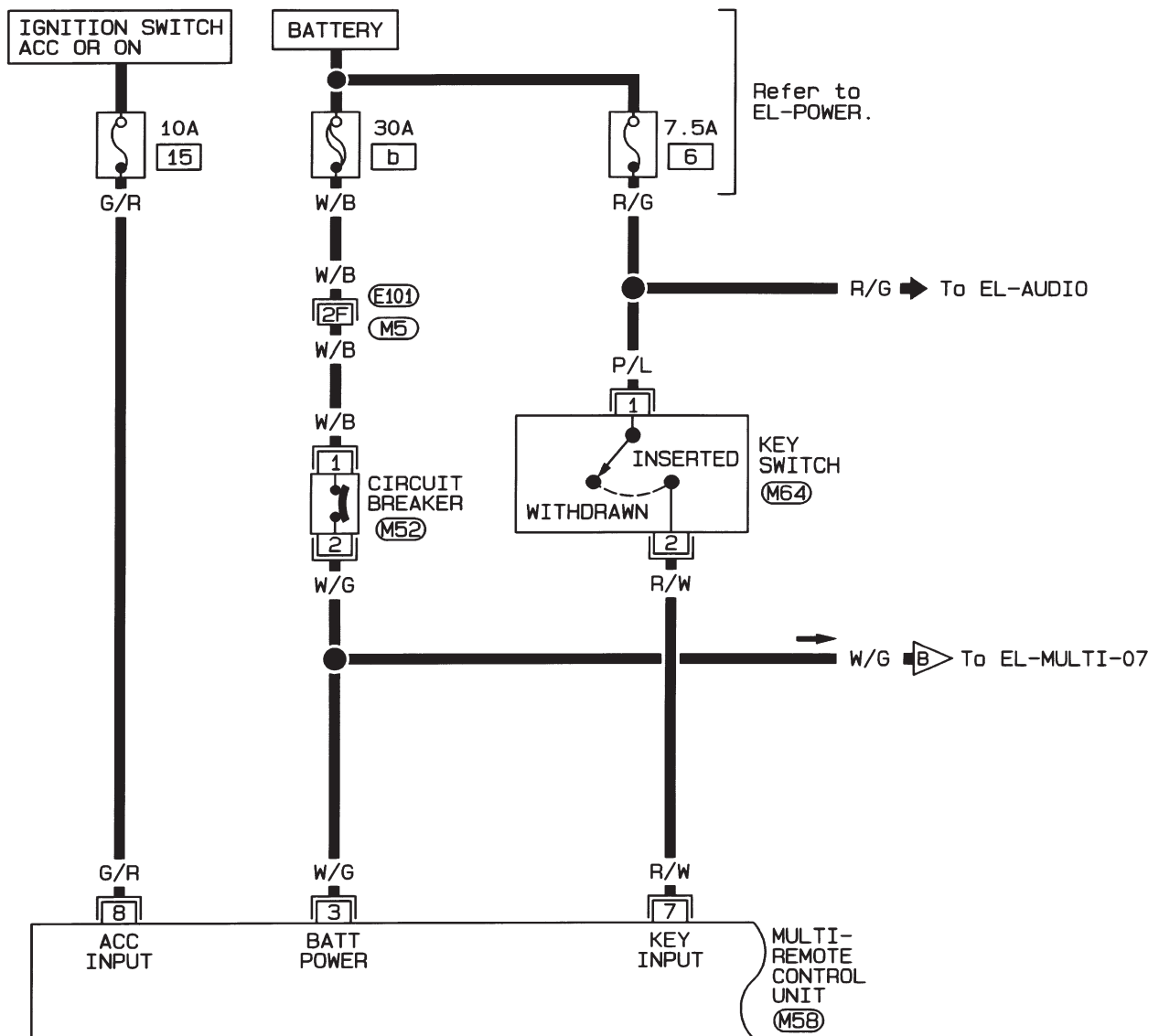
EL-MULTI-04



MULTI-REMOTE CONTROL SYSTEM/FOR EUROPE

Wiring Diagram — MULTI —/RHD Models

EL-MULTI-05



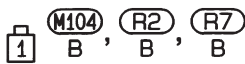
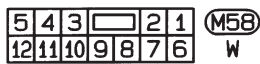
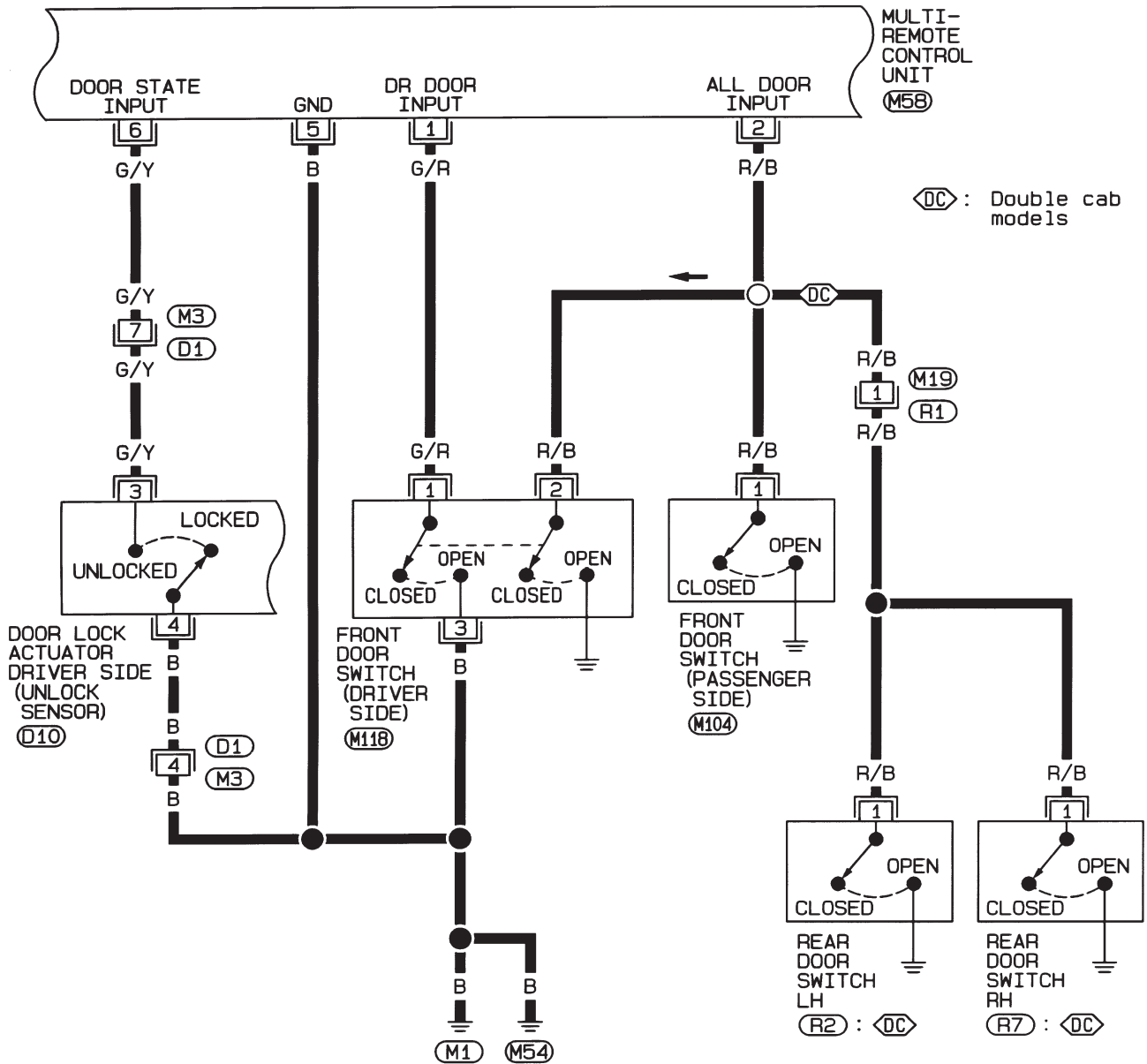
Refer to last page (Foldout page).

(M5), (E101)

MULTI-REMOTE CONTROL SYSTEM/FOR EUROPE

Wiring Diagram — MULTI —/RHD Models (Cont'd)

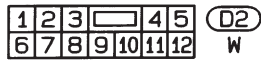
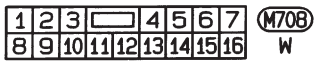
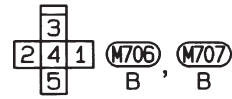
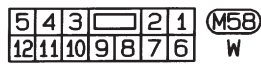
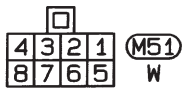
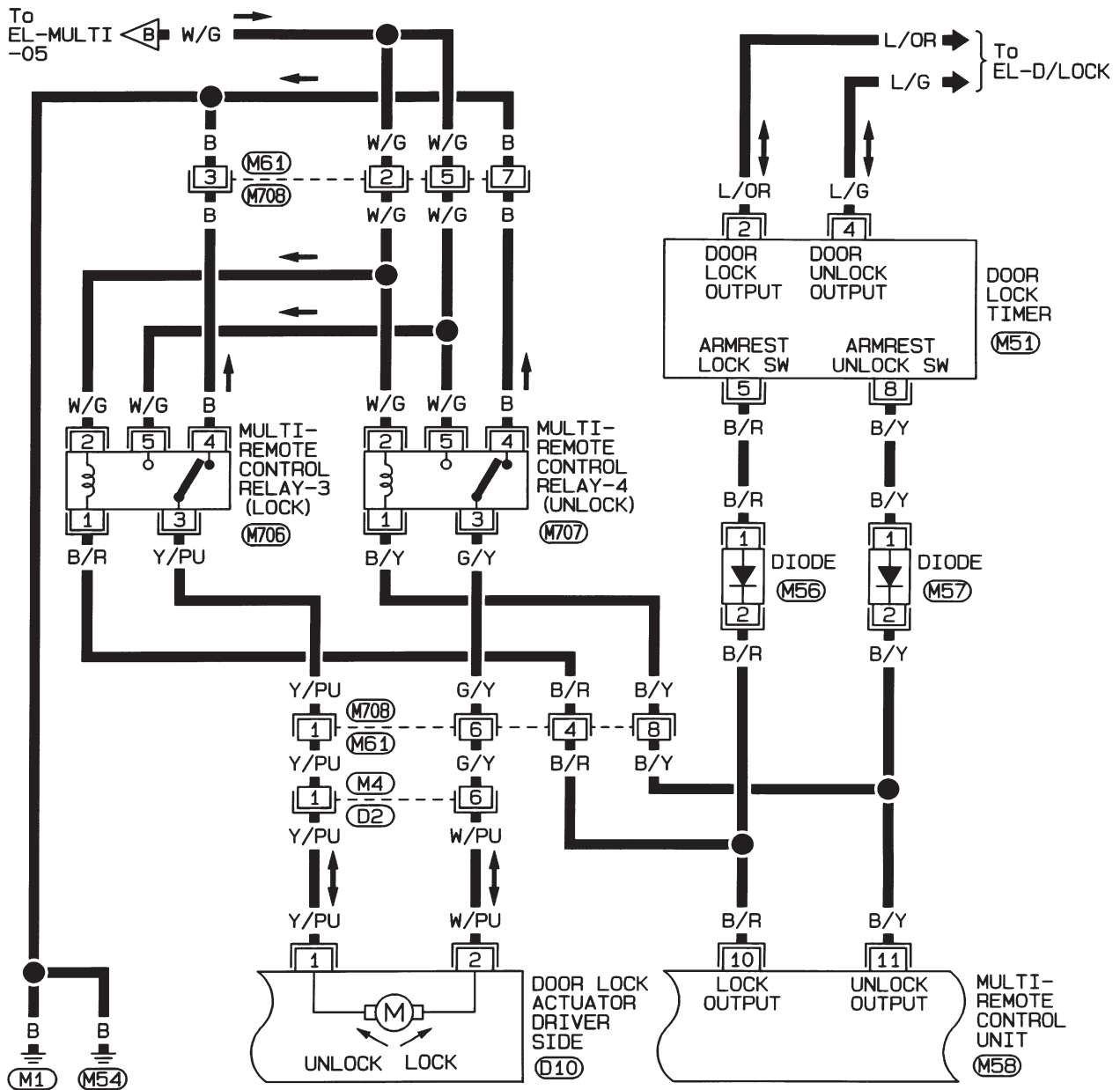
EL-MULTI-06



MULTI-REMOTE CONTROL SYSTEM/FOR EUROPE

Wiring Diagram — MULTI —/RHD Models (Cont'd)

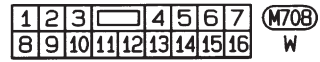
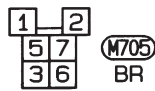
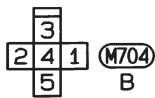
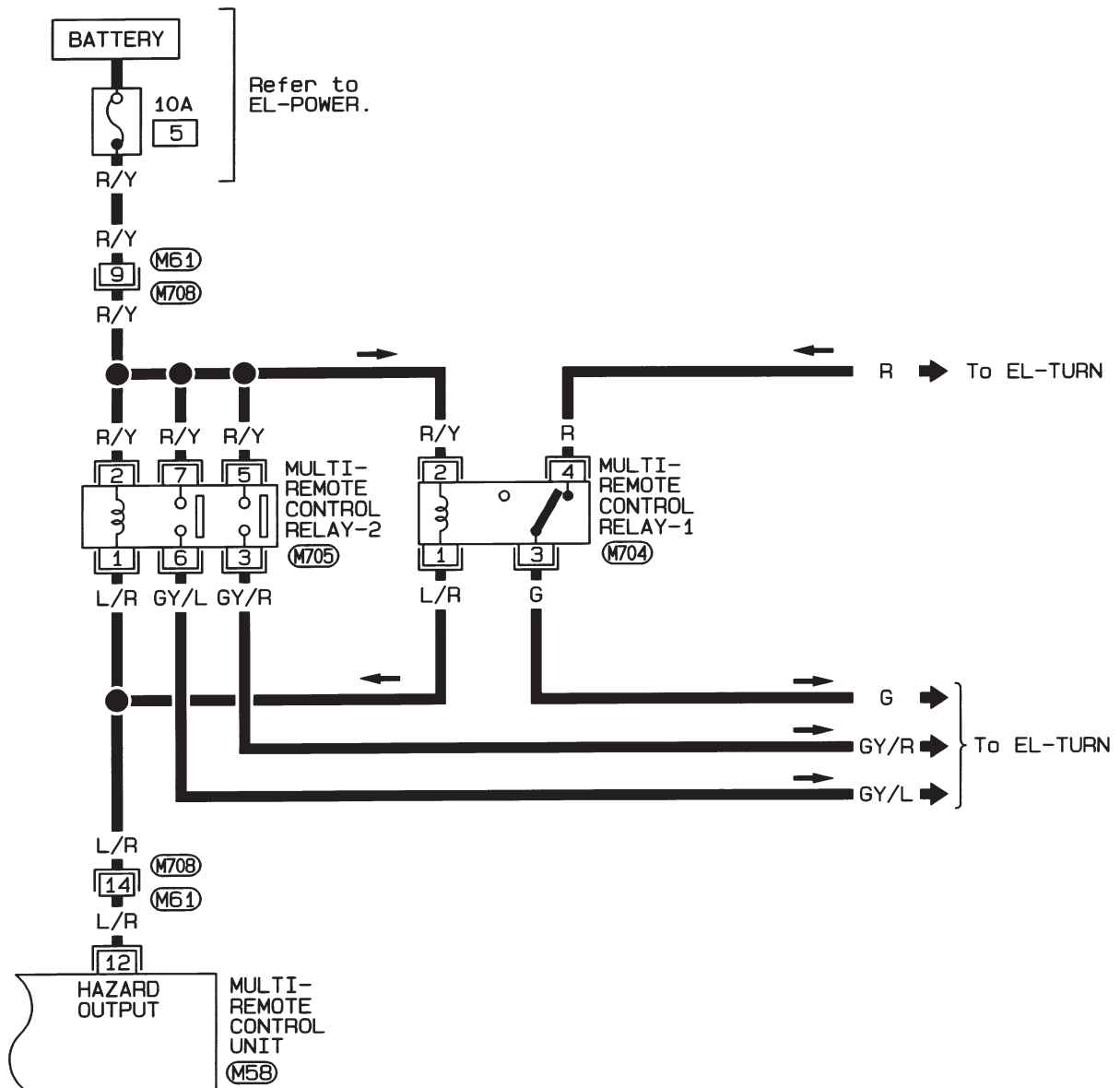
EL-MULTI-07



MULTI-REMOTE CONTROL SYSTEM/FOR EUROPE

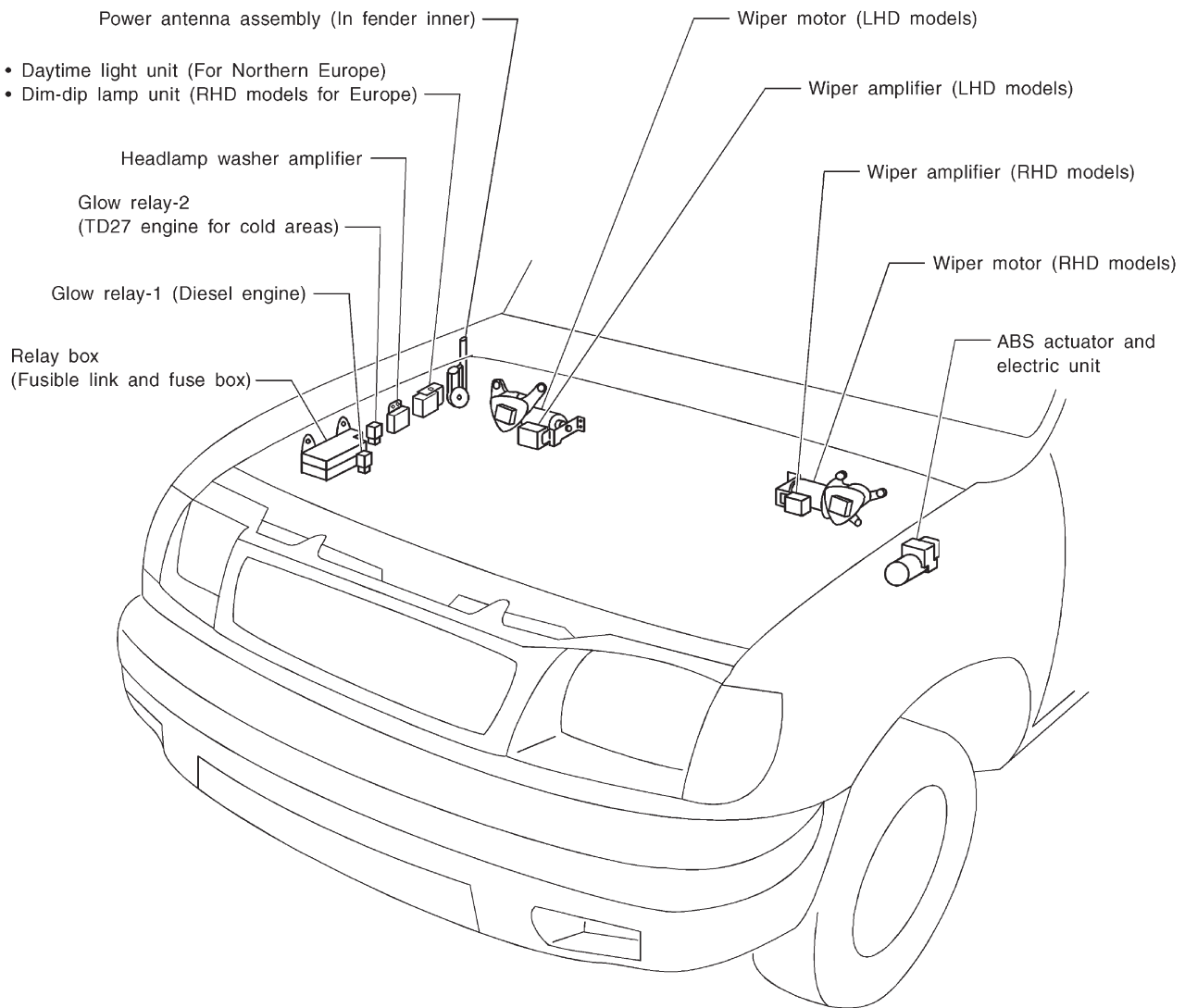
Wiring Diagram — MULTI —/RHD Models (Cont'd)

EL-MULTI-08

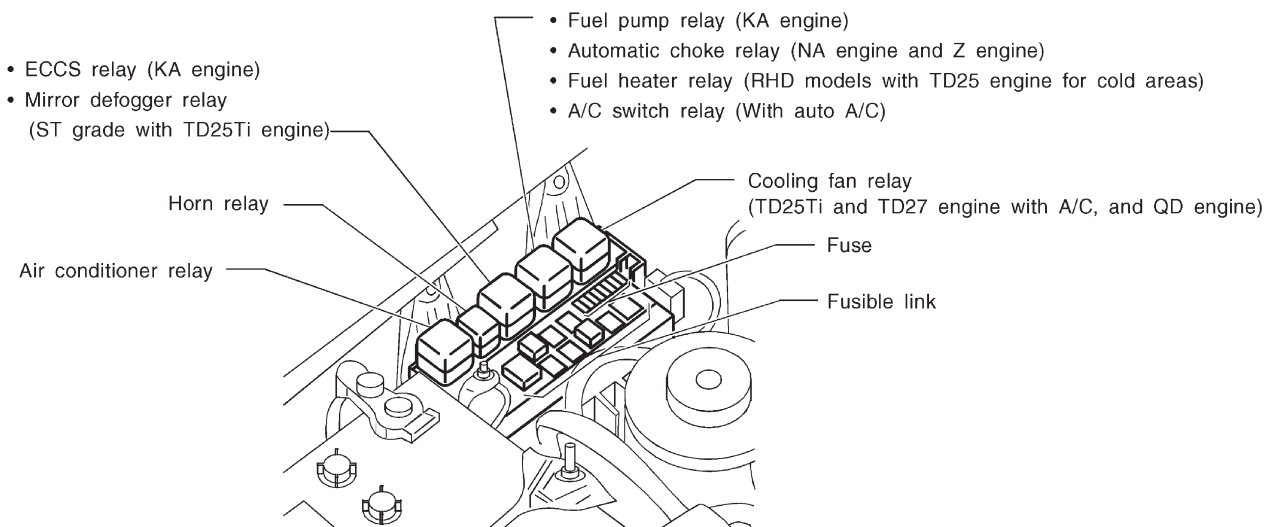


LOCATION OF ELECTRICAL UNITS

Engine Compartment



RELAY BOX

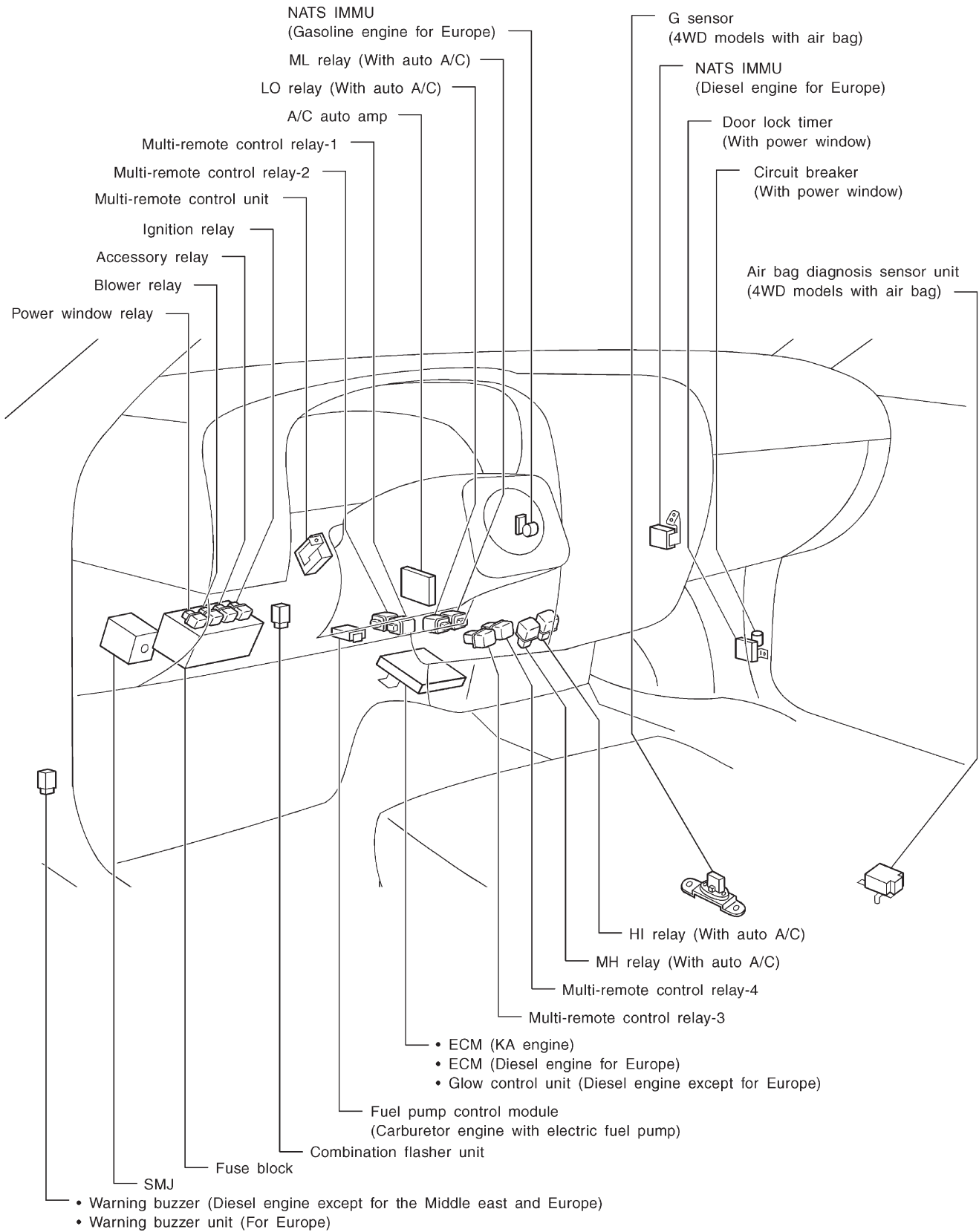


HEL491A

LOCATION OF ELECTRICAL UNITS

Passenger Compartment

LHD MODELS

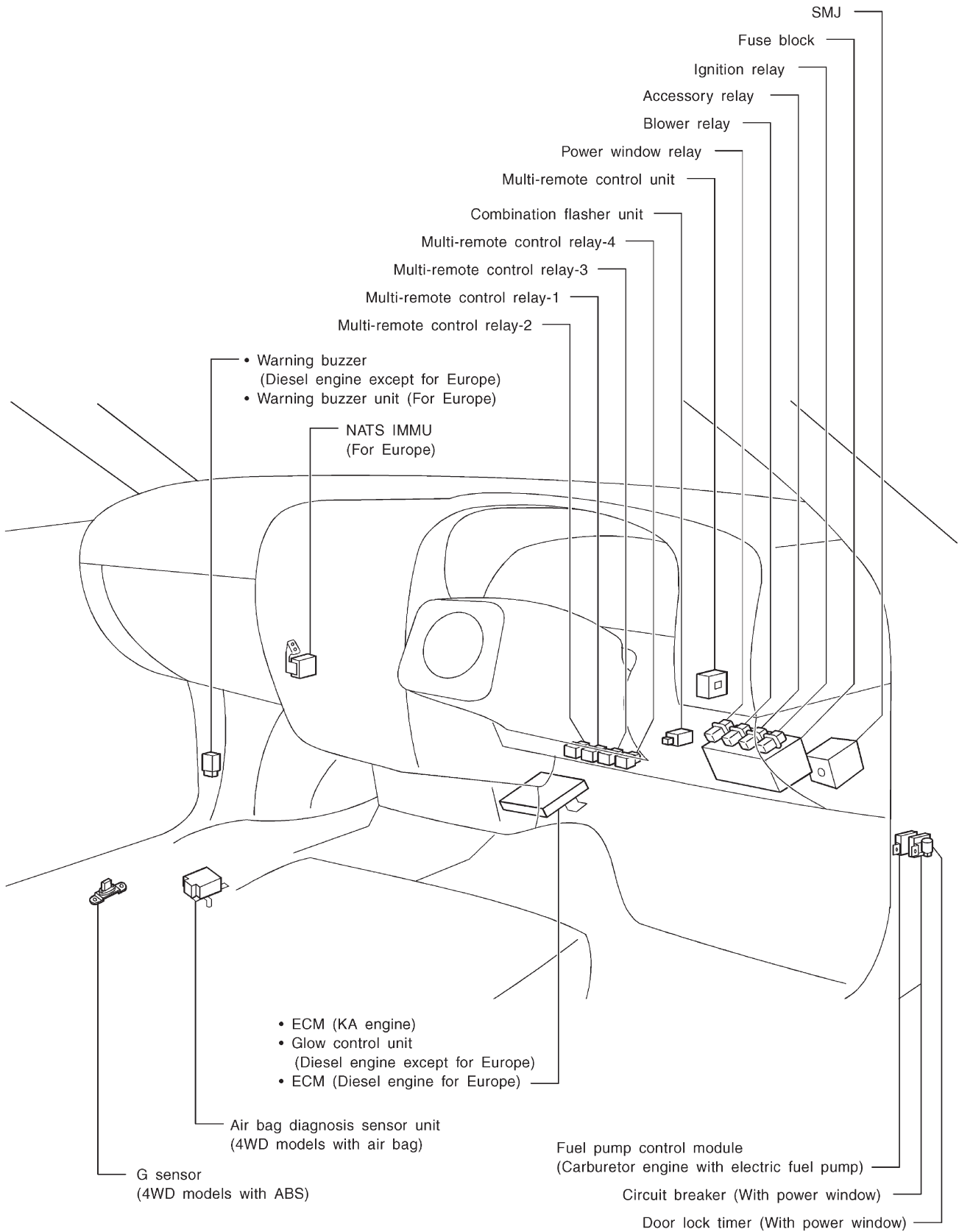


HEL492A

LOCATION OF ELECTRICAL UNITS

Passenger Compartment (Cont'd)

RHD MODELS



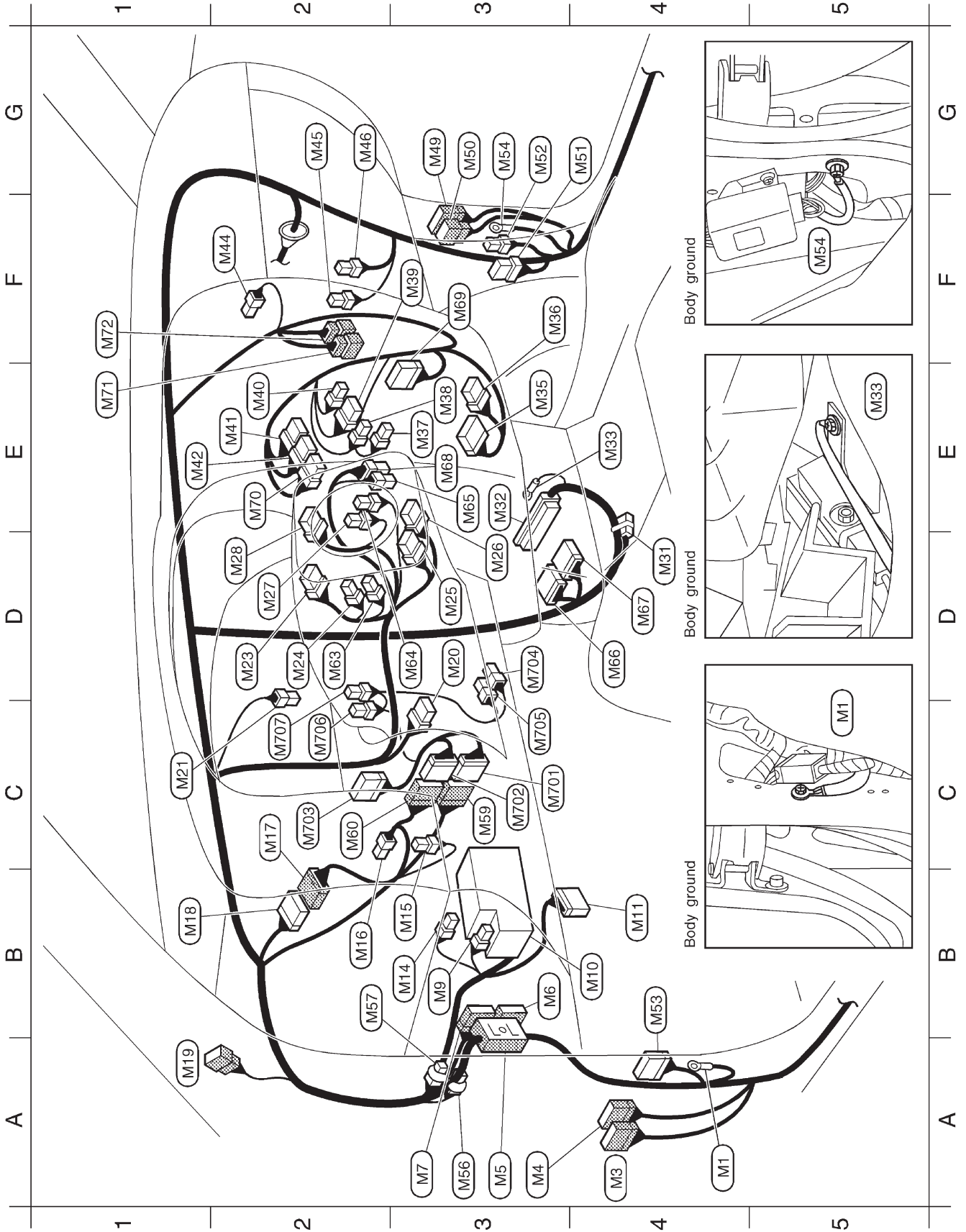
HEL493A

HARNESS LAYOUT

Main Harness

INSTRUMENT PANEL — LHD MODELS FOR EUROPE

NOTE: For harness related to auto air conditioner, refer to EL-1058.



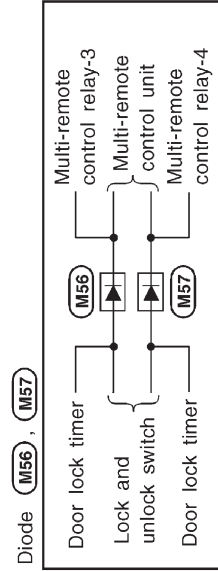
HARNESS LAYOUT

Main Harness (Cont'd)

G3	(M52)	W/2	: Circuit breaker
B4	(M53)	B/12	: Warning buzzer unit
G3	(M54)	—	: Body ground
A3	(M56)	-/2	: Diode (For multi-remote control system)
B2	(M57)	-/2	: Diode (For multi-remote control system)
C3	(M59)	W/10	: To (M701) (4WD models)
C2	(M60)	W/12	: To (M702) or jumping connector (4WD models)
D2	(M63)	W/3	: Rear fog lamp switch
D3	(M64)	W/2	: Key switch (4WD models)
E3	(M65)	W/4	: NATS antenna amp. (TD engine)
D4	(M66)	GY/20	: ECM (TD engine)
D4	(M67)	GY/16	: ECM (TD engine)
E3	(M68)	W/8	: NATS IMM (KA engine)
F3	(M69)	W/12	: NATS IMM (TD engine)
E2	(M70)	L/8	: Headlamp washer switch
E1	(M71)	B/6	: To (M410) (For auto A/C)
F1	(M72)	W/6	: To (M411) (For auto A/C)

Sub-harness (For multi-remote control system)

C3	(M701)	W/10	: To (M59)
C3	(M702)	W/12	: To (M60)
C2	(M703)	W/12	: Multi-remote control unit
D3	(M704)	B/5	: Multi-remote control relay-1
C3	(M705)	BR/6	: Multi-remote control relay-2
C2	(M706)	B/5	: Multi-remote control relay-3
C2	(M707)	B/5	: Multi-remote control relay-4

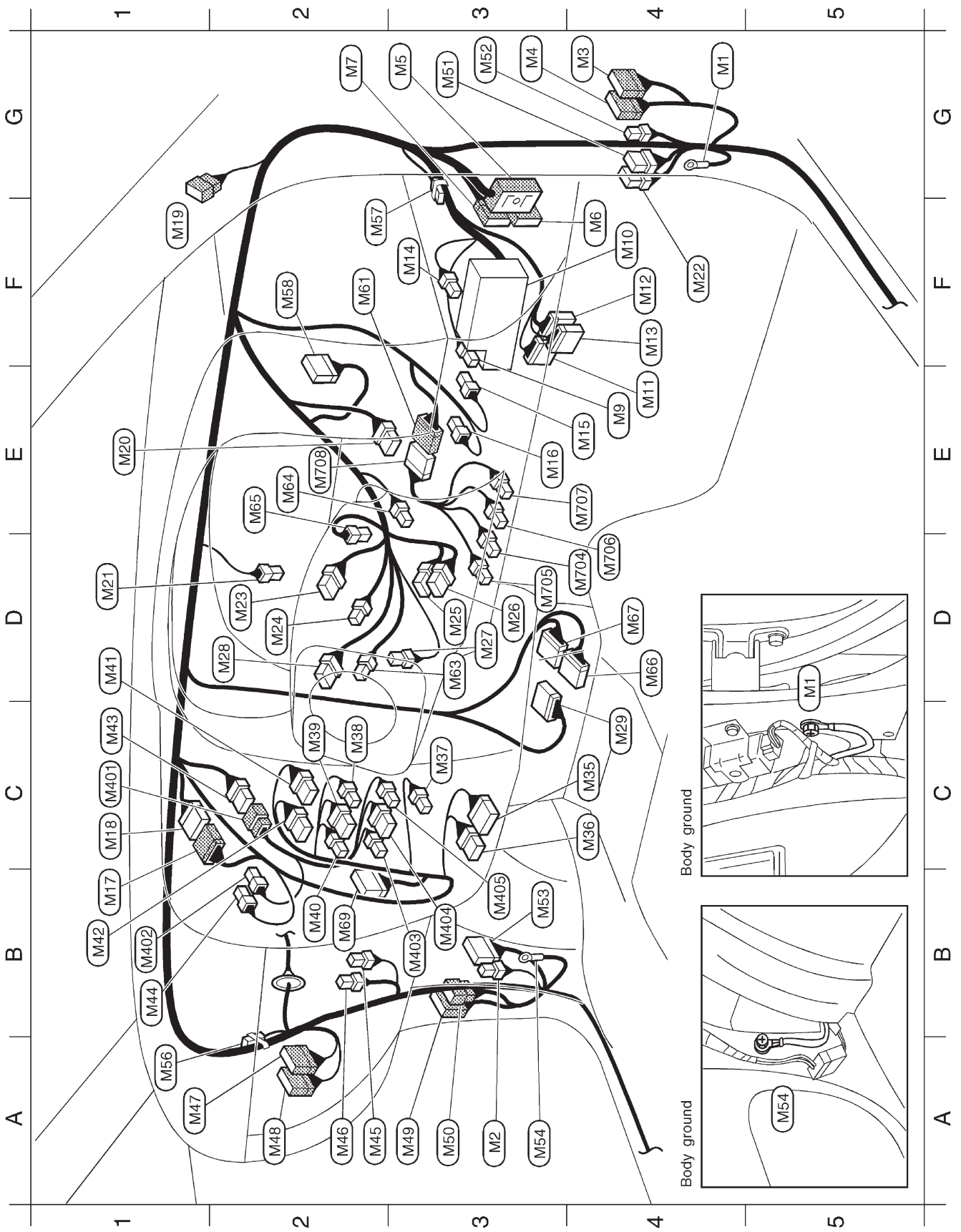


A4	(M1)	—	: Body ground
A4	(M3)	W/12	: To (D1)
A3	(M4)	W/12	: To (D2) (4WD models)
A3	(M5)	SMJ	: To (E101)
B3	(M6)	W/24	: To (N1)
A3	(M7)	W/20	: To (N2)
B3	(M9)	L/4	: Power window relay (4WD models)
B4	(M10)	—	: Fuse block
B4	(M11)	GY/14	: Data link connector for CONSULT
B3	(M14)	W/3	: Fuse block
B3	(M15)	B/3	: Combination flasher unit
B2	(M16)	B/2	: Stop lamp switch
C2	(M17)	Y/12	: To (M18) (4WD models with air bag)
B1	(M18)	Y/12	: To (M17) (4WD models with air bag)
A1	(M19)	W/6	: To (RT)
D3	(M20)	W/6	: Ignition switch
C1	(M21)	W/1	: Parking brake switch (Stick type)
D2	(M23)	BR/8	: Lighting switch • Turn signal lamp switch
D2	(M24)	BR/4	: Lighting switch
D3	(M25)	Y/6	: Spiral cable (4WD models with air bag)
D3	(M26)	W/6	: Spiral cable (2WD models with air bag)
D2	(M27)	B/1	: Horn switch
D2	(M28)	GY/8	: Wiper and washer switch
D4	(M31)	GY/6	: Joint connector (KA engine)
E3	(M32)	W/64	: ECM (KA engine)
E4	(M33)	—	: Body ground (KA engine)
E3	(M35)	W/10	: Radio
F3	(M36)	W/6	: Radio (Models with 4-speakers and KA engine)
E3	(M37)	B/2	: Cigarette lighter
E3	(M38)	W/3	: A/C switch (Without auto A/C)
F3	(M39)	W/6	: Fan switch (Without auto A/C)
E2	(M40)	W/2	: Fan switch illumination (Without auto A/C)
E2	(M41)	W/8	: Hazard switch
E1	(M42)	W/6	: Rear window defogger switch
F2	(M44)	BR/4	: Thermo control amplifier
G2	(M45)	BR/4	: Fan resistor
G2	(M46)	W/2	: Blower motor
G3	(M49)	W/12	: To (D31)
G3	(M50)	W/6	: To (D32) (4WD models)
G4	(M51)	W/8	: Door lock timer

HARNESS LAYOUT

Main Harness (Cont'd)

INSTRUMENT PANEL — RHD MODELS

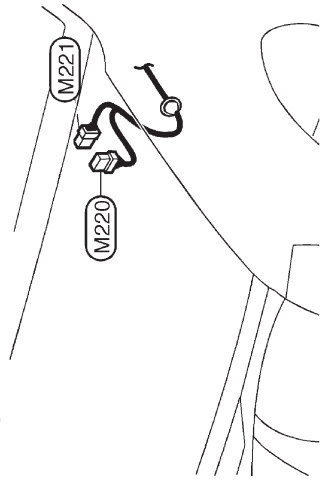


HEL496A

HARNESS LAYOUT

Main Harness (Cont'd)

Engine compartment



(M220) GY/8 : Wiper amplifier or jumping connector (Diesel engine models for Europe and Australia)
 (M221) W/6 : Wiper motor (Except KA engine)

(M1)	—	: Body ground	(M39)	W/6	: Fan switch (For Europe and Australia)	
A3	W/2	: Warning buzzer (Diesel engine except for Europe and Australia)	B2	W/2	: Fan switch illumination (For Europe and Australia)	
G4	W/12	: To (D1)	D1	W/8	: Hazard switch	
G3	W/12	: To (D2) (With power window)	B1	W/6	: Rear window defogger switch (For Europe and double cab for Australia)	
G3	SMJ	: To (E101)	C1	B/8	: To (M401)	
F4	W/24	: To (N1)	B1	BR/4	: Thermo control amplifier (Except for Europe and Australia)	
G2	W/20	: To (N2) (For Europe)	A2	BR/4	: Fan resistor	
E4	M/9	: Power window relay	A2	W/2	: Blower motor	
F4	M/10	: Fuse block	A1	W/10	: To (F55) (KA engine)	
E4	GY/14	: Data link connector for CONSULT (KA engine and for Europe)	A2	W/24	: To (F54) (KA engine)	
F4	M/12	: Check connector (NA engine)	A3	W/12	: To (D31)	
F4	M/10	: Check connector (Z engine)	A3	W/6	: To (D32) (With power window)	
F3	M/14	: Fuse block	G3	W/8	: Door lock timer (4WD models for Europe and double cab ST grade for Australia)	
E4	M/15	: Combination flasher unit	G3	W/2	: Circuit breaker (4WD models for Europe and double cab ST grade for Australia)	
E3	M/16	: Stop lamp switch	B3	M/53	B/12	: Warning buzzer unit (For Europe)
B1	M/17	: To (M18) (4WD models with air bag)	A3	M/54	—	: Body ground
C1	M/18	: To (M17) (4WD models with air bag)	A1	M/56	-/2	: Diode (For multi-remote control system)
F1	M/19	: To (R1)	F2	M/57	-/2	: Diode (For multi-remote control system)
E1	M/20	: Ignition switch	F2	M/58	W/12	: Multi-remote control unit (4WD models for Europe)
D1	M/21	: Parking brake switch (Stick type)	F2	M/61	W/16	: To (M708) or jumping connector (4WD models for Europe)
F4	M/22	: Fuel pump control module (NA engine and Z engine)	D3	M/63	W/3	: Rear fog lamp switch (For Europe)
D2	M/23	: Lighting switch	E2	M/64	W/2	: Key switch (4WD models for Europe)
D2	M/24	: Turn signal lamp switch	E2	M/65	W/4	: NATS antenna amp. (For Europe)
D2	M/24	: Lighting switch	D4	M/66	GY/20	: ECM (Diesel engine for Europe)
D3	M/25	: Spiral cable	D4	M/67	GY/16	: ECM (Diesel engine for Europe)
D3	M/26	: Spiral cable	B2	M/69	W/12	: NATS IMMU (For Europe)
D3	M/27	: Horn switch				
D2	M/28	: Wiper and washer switch				
C4	M/29	: Glow control unit (Diesel engine except for Europe)				
C4	M/35	: Radio				
C4	M/36	: Radio				
C3	M/37	: Cigarette lighter				
C2	M/38	: A/C switch (For Europe and Australia)				

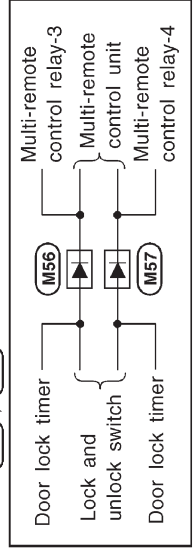
Sub-harness (Except for Europe and Australia)

C1 (M401) B/8 : To (M43)
 B1 (M402) BR/4 : Thermo control amplifier (Models with A/C)
 B3 (M403) W/2 : Fan switch illumination
 B3 (M404) W/6 : Fan switch
 B3 (M405) W/3 : A/C switch (Models with A/C)

Sub-harness (For multi-remote control system)

D4 (M704) B/5 : Multi-remote control relay-1
 D3 (M705) BR/6 : Multi-remote control relay-2
 D4 (M706) B/5 : Multi-remote control relay-3
 E4 (M707) B/5 : Multi-remote control relay-4
 E2 (M708) W/16 : To (M61)

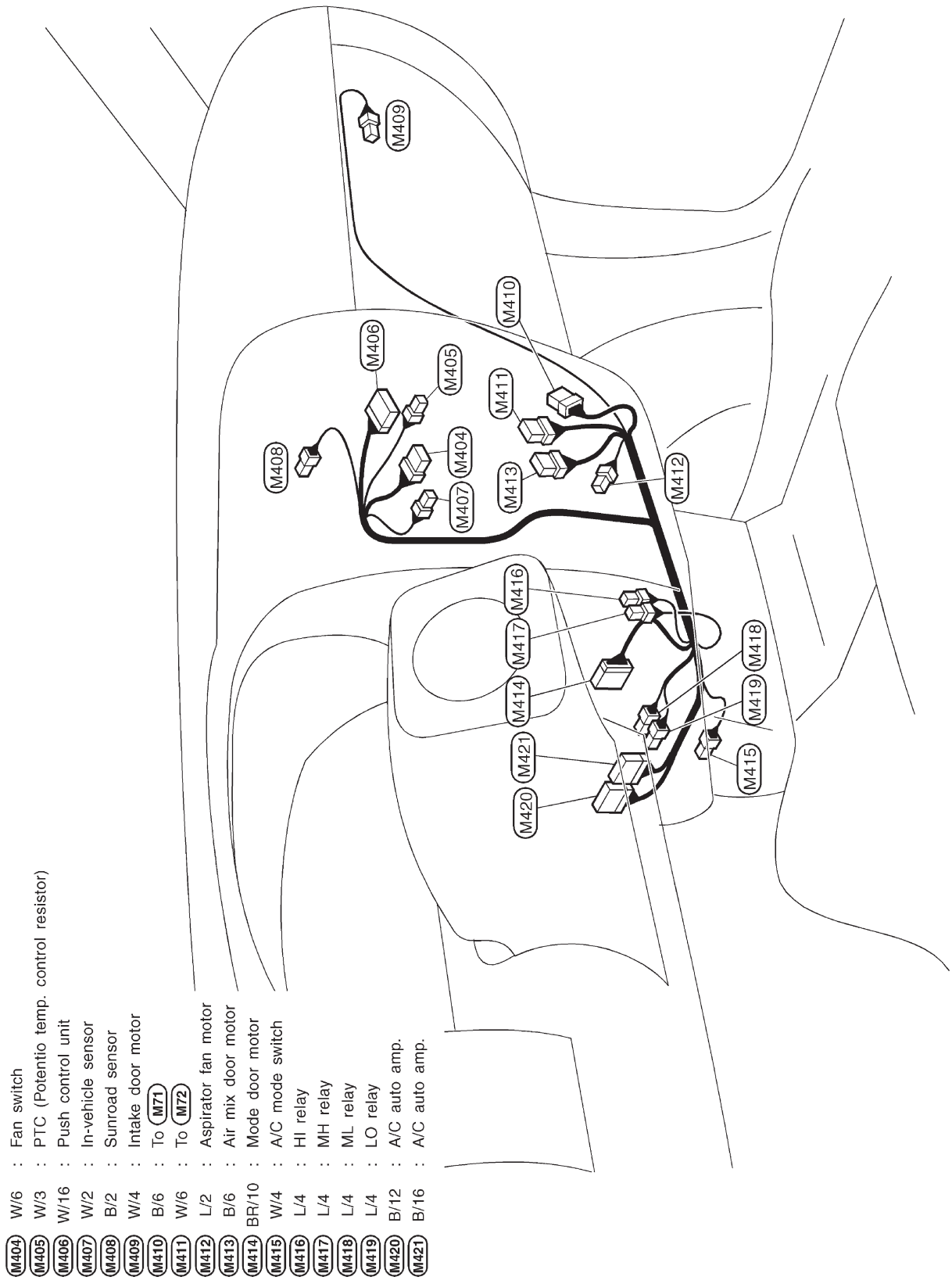
Diode (M56), (M57)



HARNESS LAYOUT

Main Harness (Cont'd)

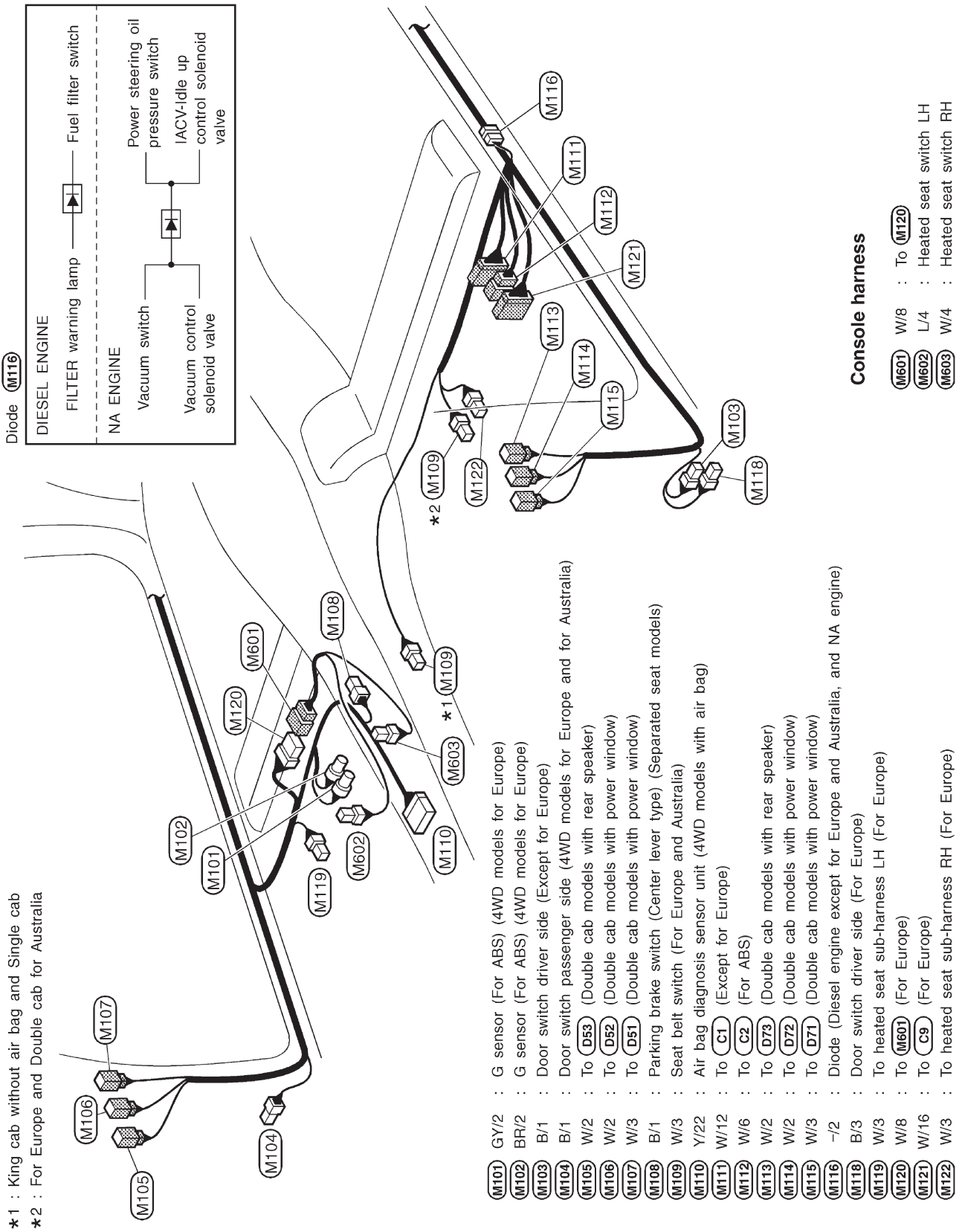
AUTO AIR CONDITIONER



HARNESS LAYOUT

Main Harness (Cont'd)

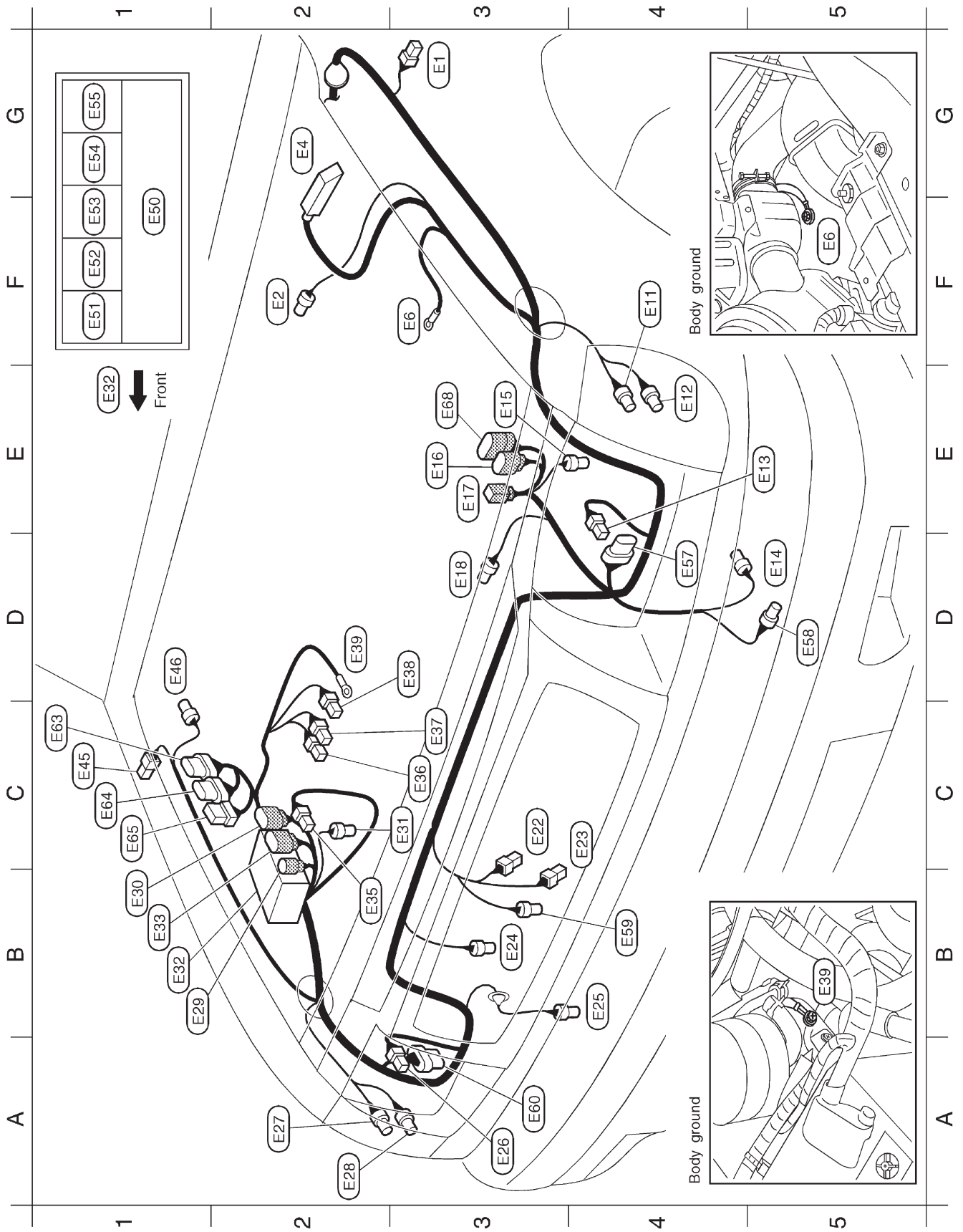
BODY SIDE — RHD MODELS



HARNESS LAYOUT

Engine Room Harness

LHD MODELS — DIESEL ENGINE

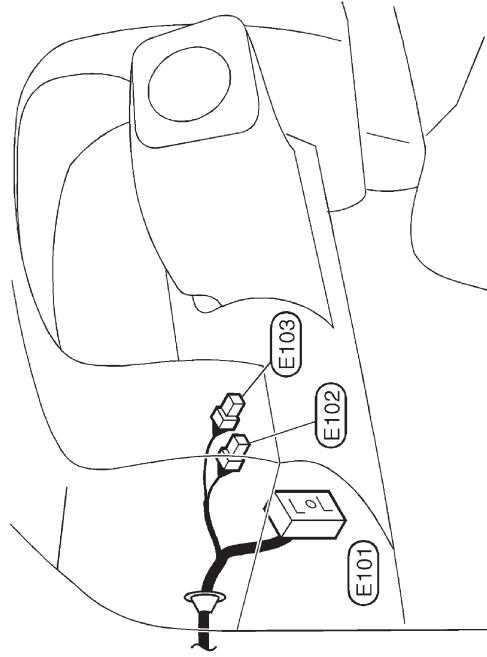


HARNESS LAYOUT

Engine Room Harness (Cont'd)

- D4 (E57) GY/6 : Headlamp aiming motor LH (For Europe)
- D5 (E58) GY/2 : Headlamp washer motor (For Europe)
- B4 (E59) BR/2 : Ambient sensor (For auto A/C)
(For Europe except 2WD models with ABS)
- A3 (E60) GY/6 : Headlamp aiming motor RH (For Europe)
- C1 (E63) GY/6 : Daytime light unit (With daytime light system)
- C1 (E64) GY/8 : Daytime light unit (With daytime light system)
- C1 (E65) W/6 : Headlamp washer amplifier (For Europe)
- E3 (E68) GY/10 : To (A13) (For Europe)

PASSENGER COMPARTMENT

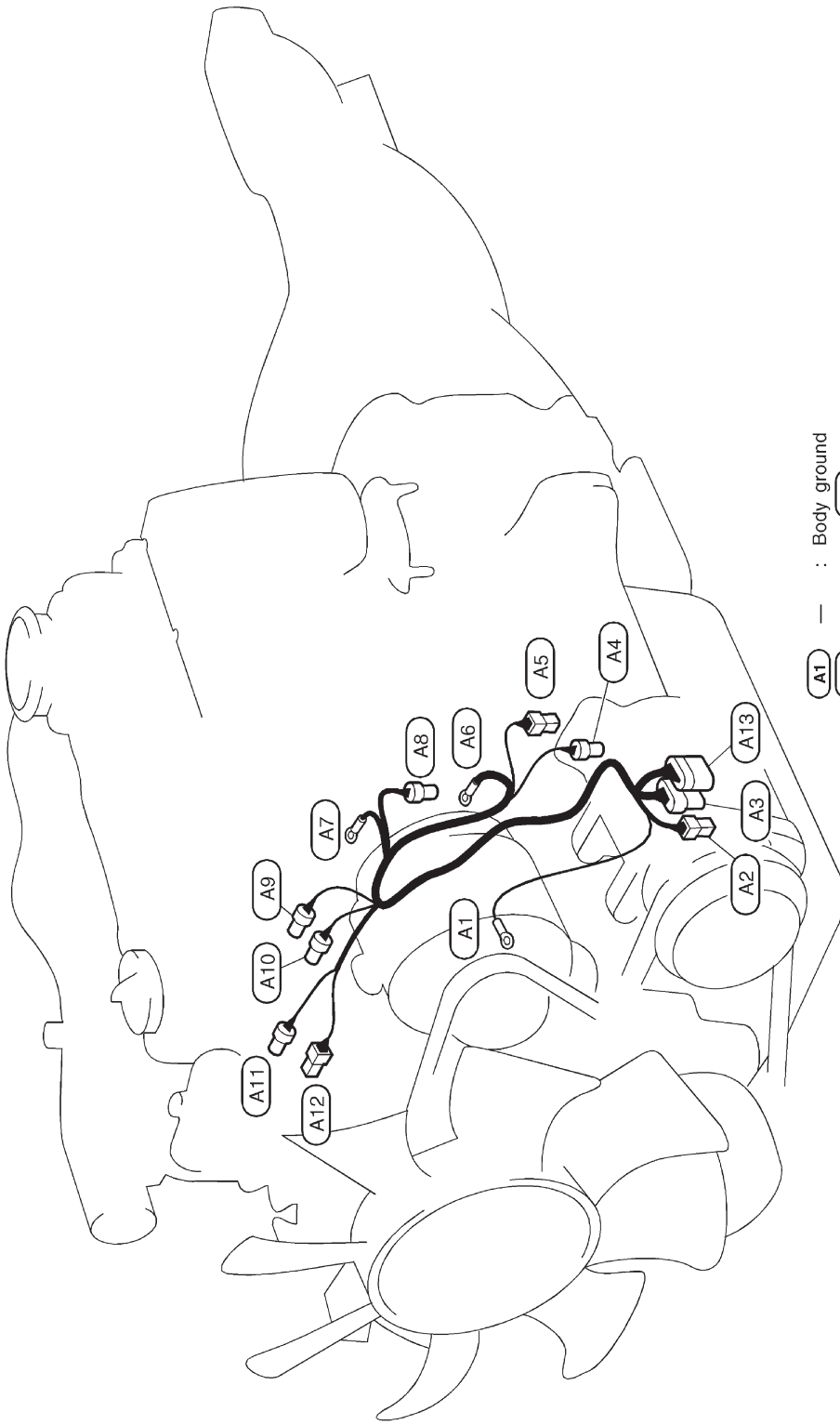


- (E101) SMJ : To (M5)
- (E102) W/4 : Fuse block
- (E103) B/2 : Fuse block

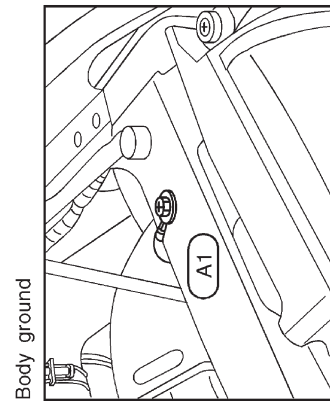
- G3 (E1) B/2 : Side turn signal lamp LH (For Europe)
- F2 (E2) GY/2 : Brake fluid level switch
- G2 (E4) B/31 : ABS actuator and electric unit (For ABS)
- F3 (E6) — : Body ground
- F4 (E11) GY/3 : Front combination lamp LH (Except for Europe)
- E4 (E12) BR/3 : Front combination lamp LH (For Europe)
- E5 (E13) B/3 : Headlamp LH
- D5 (E14) GY/2 : Washer motor
- E3 (E15) BR/2 : Front wheel sensor LH (For ABS)
- E3 (E16) GY/8 : To (A3) (Except for Europe)
- E3 (E17) B/2 : To (A2)
- D3 (E18) GY/2 : Thermostat (Except TD27 engine for cold areas and TD engine 2WD models with ABS for Europe)
- C3 (E22) B/1 : Horn low
- C4 (E23) B/1 : Horn high (Except TD27 engine for cold areas)
- B3 (E24) GY/2 : Cooling fan motor (Except TD27 engine for cold areas and TD engine 2WD models with ABS for Europe)
- B4 (E25) B/4 : Triple-pressure switch
- A3 (E26) B/3 : Headlamp RH
- A2 (E27) GY/3 : Front combination lamp RH (Except for Europe)
- A2 (E28) BR/3 : Front combination lamp RH (For Europe)
- B2 (E29) GY/2 : To (E204)
- B1 (E30) B/8 : To (E203) (For Europe)
- C3 (E31) GY/2 : Front wheel sensor RH (For ABS)
- B1 (E32) — : Relay box (Fusible link and fuse box)
- B1 (E33) GY/8 : To (E205)
- B2 (E35) B/1 : To (E206)
- C3 (E36) B/1 : IACV-FICD solenoid valve
- C3 (E37) B/1 : IACV-FICD solenoid valve
- D3 (E38) GY/1 : Vacuum warning switch
- D2 (E39) — : Body ground
- C1 (E45) B/2 : Side turn signal lamp RH (For Europe)
- D1 (E46) GY/3 : Power antenna (For Europe except 2WD models with ABS)
- F1 (E50) — : Fusible link and fuse box
- F1 (E51) L/4 : Air conditioner relay
- F1 (E52) W/3 : Horn relay
- F1 (E53) L/4 : Mirror defogger relay (For Europe except 2WD models with ABS)
- G1 (E54) L/4 : A/C switch relay (For Europe except 2WD models with ABS)
- G1 (E55) L/4 : Cooling fan relay (Except TD27 engine for cold areas and TD engine 2WD models with ABS for Europe)

HARNESS LAYOUT

Alternator Harness



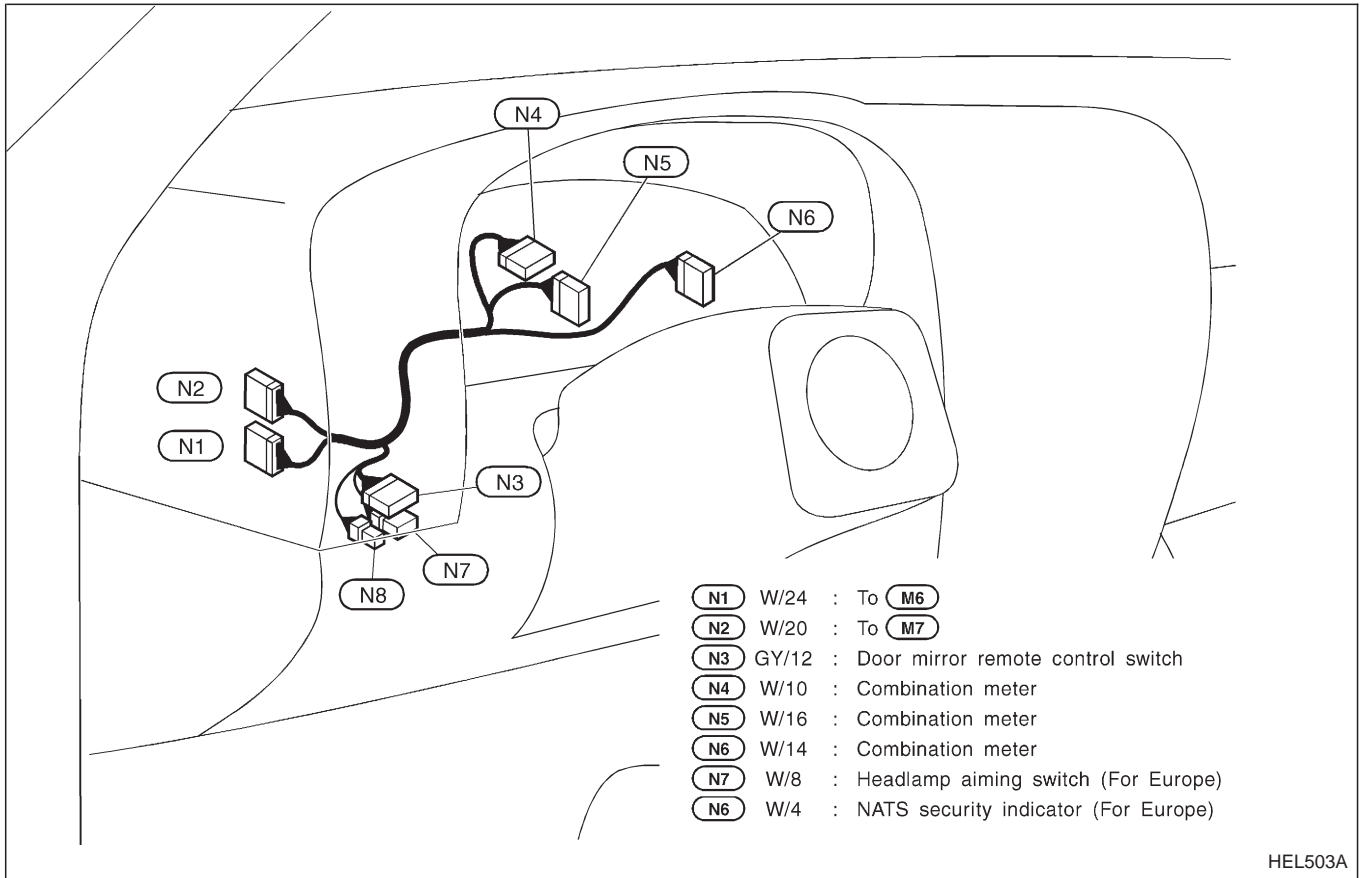
A1	—	: Body ground
A2	B/2	: To (E17)
A3	GY/8	: To (E16) (Except for Europe)
A4	B/1	: Compressor
A5	B/1	: Oil pressure switch (For fuel heater)
A6	—	: Alternator (B)
A7	—	: Alternator (E)
A8	GY/2	: Alternator (S,L)
A9	GY/2	: Thermoswitch (Turbocharger models and except for Europe)
A10	BR/2	: Revolution sensor
A11	GY/2	: Engine coolant temperature sensor
A12	B/1	: Thermal transmitter
A13	GY/10	: To (E68) (For Europe)



HARNESS LAYOUT

Instrument Harness

LHD MODELS

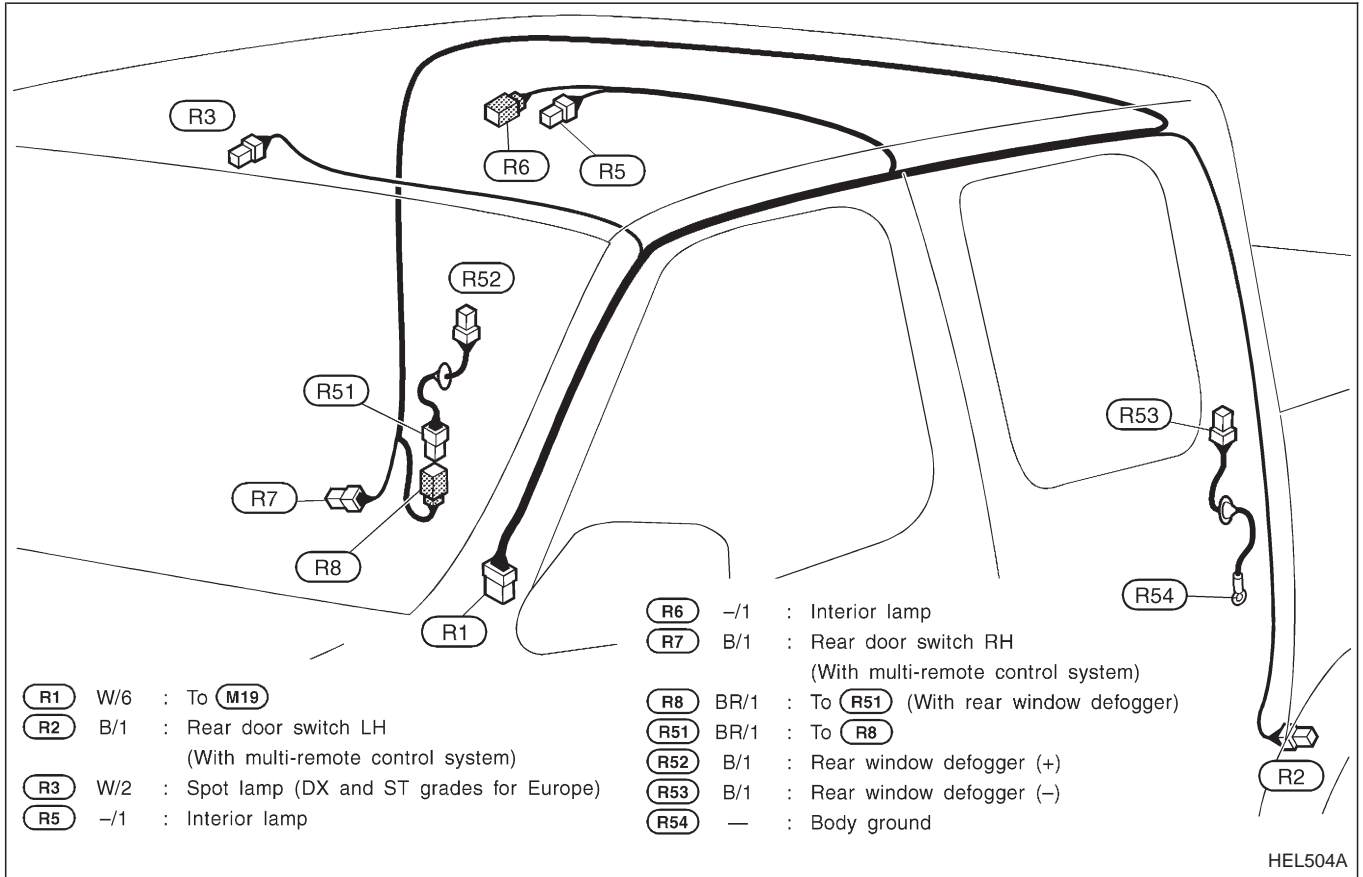


HEL503A

HARNESS LAYOUT

LHD MODELS

Room Lamp Harness/Double Cab Models



HEL504A

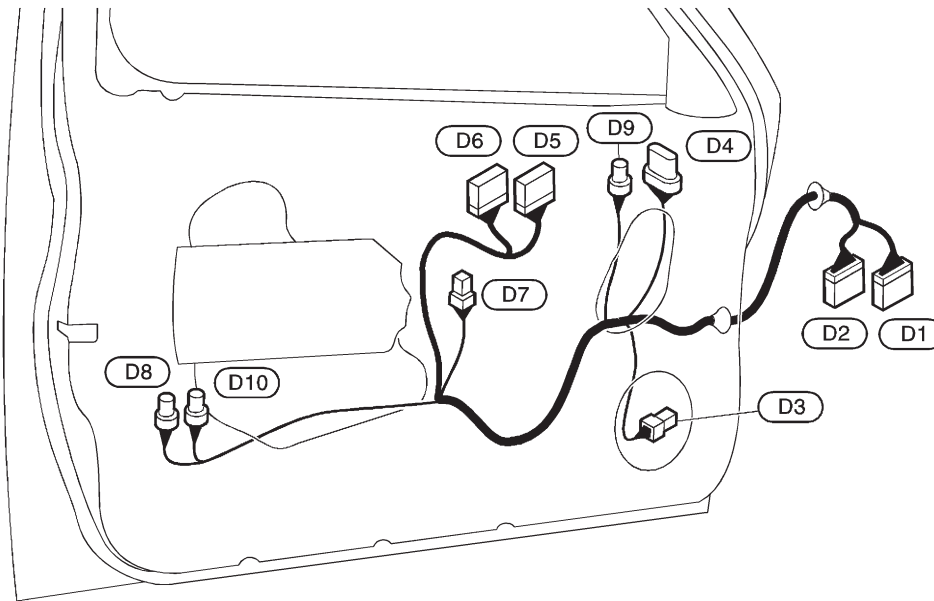
RHD MODELS

HARNESS LAYOUT

Front Door Harness (LH side)

LHD MODELS

- | | |
|--|--|
| (D1) W/12 : To (M3) | (D6) W/12 : Power window main switch
(With front power window only) |
| (D2) W/12 : To (M4) (With power window) | (D7) B/2 : Power window regulator (With power window) |
| (D3) BR/2 : Front speaker | (D8) GY/2 : Lock knob switch (With power door lock
without multi-remote control system) |
| (D4) GY/5 : Door mirror actuator (Double cab and
King cab models with power window) | (D9) BR/3 : Door mirror defogger (With multi-remote control system) |
| (D5) W/16 : Power window main switch
(With front and rear power window) | (D10) GY/4 : Door lock actuator (With multi-remote control system) |



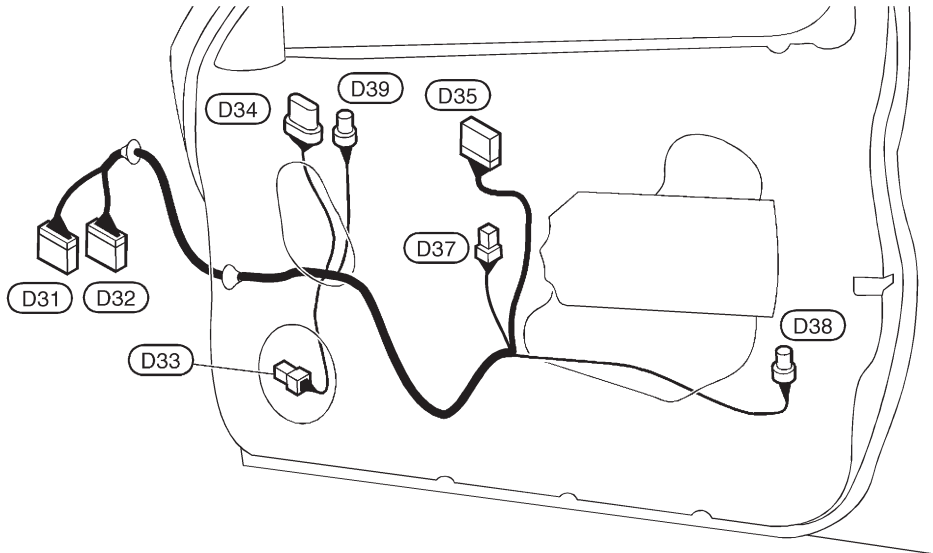
HEL506A

HARNESS LAYOUT

LHD MODELS

Front Door Harness (RH side)

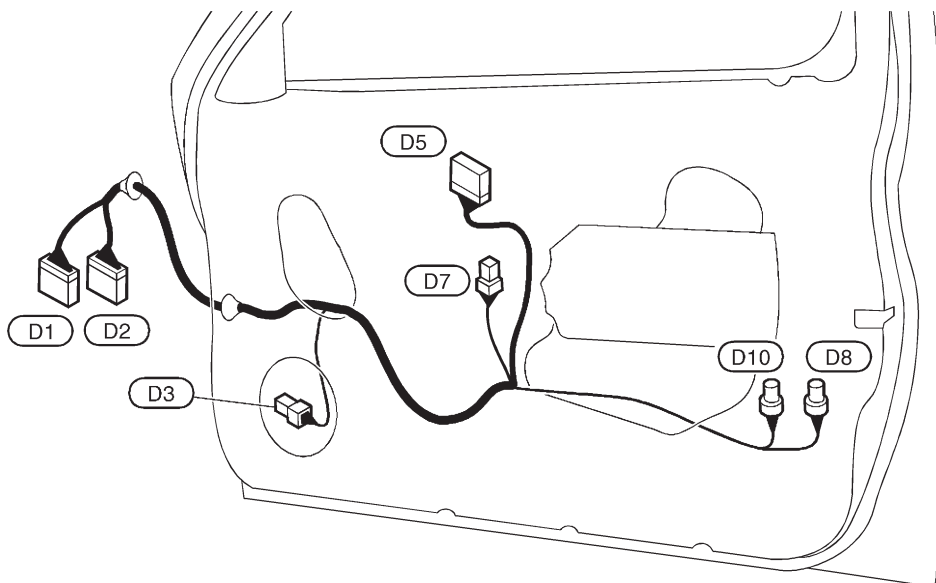
- (D31) W/12 : To (M49)
- (D32) W/6 : To (M50) (With power window)
- (D33) BR/2 : Front speaker
- (D34) GY/5 : Door mirror actuator (ST grade for Europe and with power window for the Middle East)
- (D35) W/8 : Power window sub-switch (With power window)
- (D37) B/2 : Power window regulator (With power window)
- (D38) GY/4 : Door lock actuator (With power door lock)
- (D39) BR/3 : Door mirror defogger (ST grade for Europe)



HEL507A

RHD MODELS

- (D1) W/12 : To (M3)
- (D2) W/12 : To (M4) (With power window)
- (D3) BR/2 : Front speaker
- (D5) W/16 : Power window main switch (With power window)
- (D7) B/2 : Power window regulator (With power window)
- (D8) GY/2 : Lock knob switch (With power door lock without multi-remote control system)
- (D10) GY/4 : Door lock actuator (With multi-remote control system)



HEL508A

WIRING DIAGRAM CODES (CELL CODES)

Use the chart below to find out what each wiring diagram code stands for.

Refer to the wiring diagram code in the alphabetical index to find the location (page number) of each wiring diagram.

Code	Section	Wiring Diagram Name
ABS	BR	Anti-lock Brake System
A/C, A	HA	Auto Air Conditioner
A/C, M	HA	Manual Air Conditioner
AUDIO	EL	Audio
DEF	EL	Rear Window Defogger and Door Mirror Defogger
DIMDIP	EL	Headlamp — With Dim-dip Lamp System
D/LOCK	EL	Power Door Lock
FICD	EC	IACV-FICD Solenoid Valve

Code	Section	Wiring Diagram Name
GLOW	EC	Quick-glow System
ILL	EL	Illumination
INT/L	EL	Interior and Spot Lamps
MULTI	EL	Multi-remote Control System
POWER	EL	Power Supply Routing
SRS	RS	Supplemental Restraint System
TURN	EL	Turn Signal and Hazard Warning Lamps
WARN	EL	Warning Lamps
WINDOW	EL	Power Window