

MODIFICATION NOTICE:

- The body front end has been changed.
- Exterior has been changed.

CONTENTS

BODY END	3002	EXTERIOR	3006
Body Front End.....	3002		

BODY END

Body Front End

- When removing or installing hood, place a cloth or other padding on hood. This prevents vehicle body from being scratched.
- Bumper fascia is made of plastic. Do not use excessive force and be sure to keep oil away from it.
- Hood adjustment: Adjust at hinge portion.
- Hood lock adjustment: After adjusting, check hood lock control operation. Apply a coat of grease to hood locks engaging mechanism.
- Hood opener: Do not attempt to bend cable forcibly. Doing so increases effort required to unlock hood.

REMOVAL — Front bumper assembly

- ① Remove clips securing front grille and remove the front grille. **A**
- ② Remove bolts securing left and right bumper stays. **B**
- ③ Remove bolts securing left and right bumper fascia (lower). **C**
- ④ Remove bolts securing left and right bumper side brackets. **D**
- ⑤ Remove bolts securing left and right bumper side stays. **E**
- ⑥ Extract bumper assembly.

BODY END

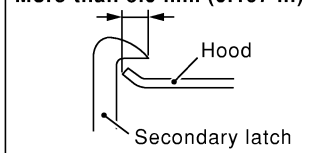
Body Front End (Cont'd)

Hood lock adjustment

- Adjust hood so that hood primary lock meshes at a position 1 to 1.5 mm (0.039 to 0.059 in) lower than fender.
- After hood lock adjustment, adjust bumper rubber.
- When securing hood lock, ensure it does not tilt. Striker must be positioned at the center of hood primary lock.
- After adjustment, ensure that hood primary and secondary lock operate properly.

Hood lock secondary latch hooking length

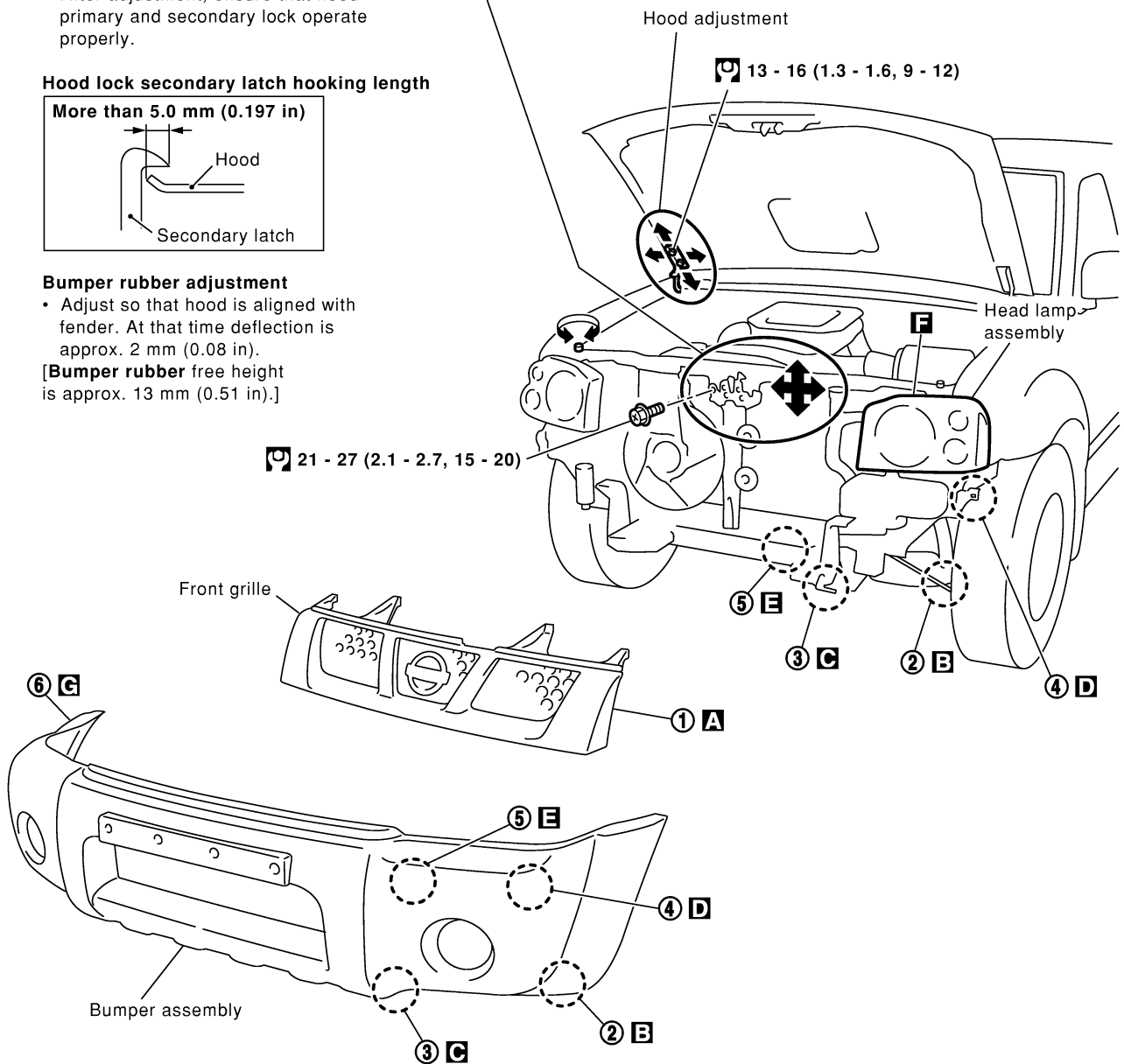
More than 5.0 mm (0.197 in)



Bumper rubber adjustment

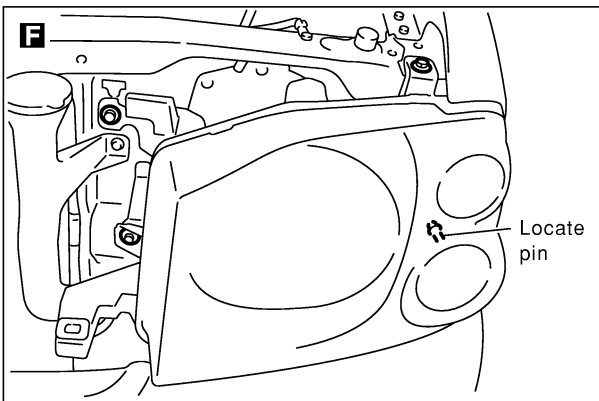
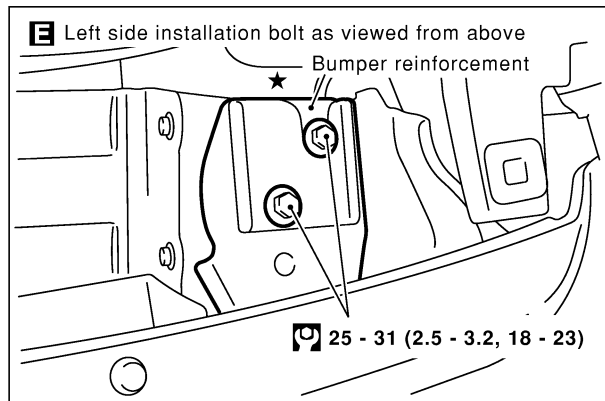
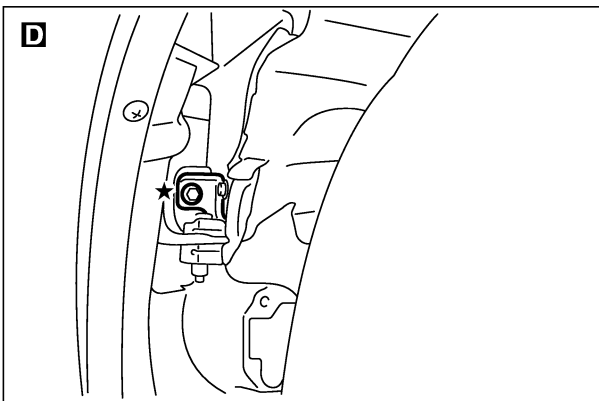
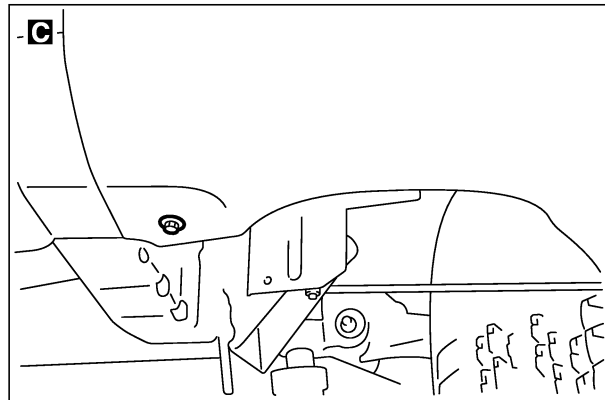
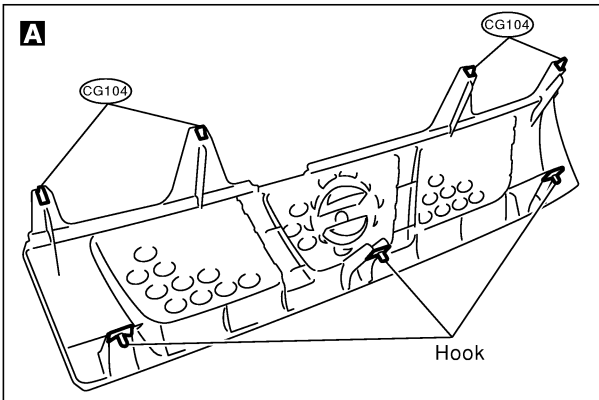
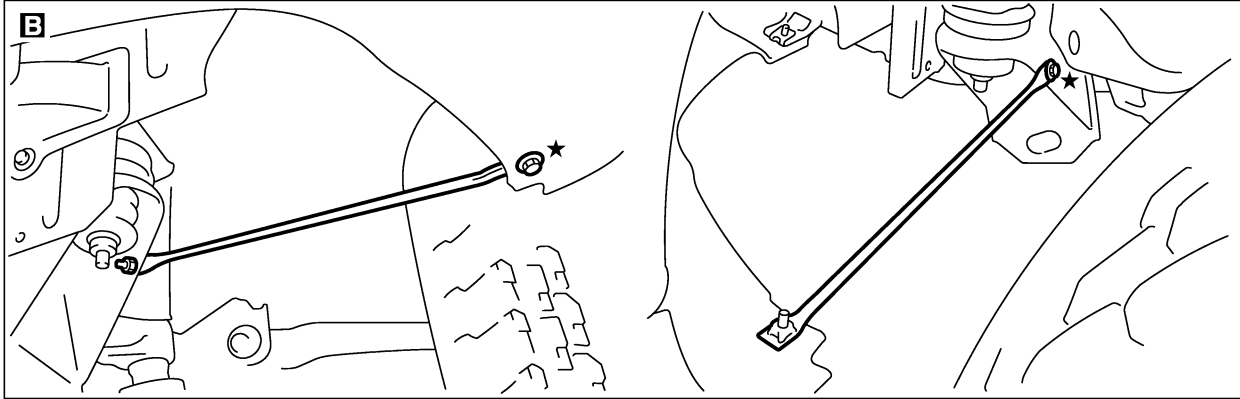
- Adjust so that hood is aligned with fender. At that time deflection is approx. 2 mm (0.08 in).


[Bumper rubber free height is approx. 13 mm (0.51 in).]



BODY END

Body Front End (Cont'd)



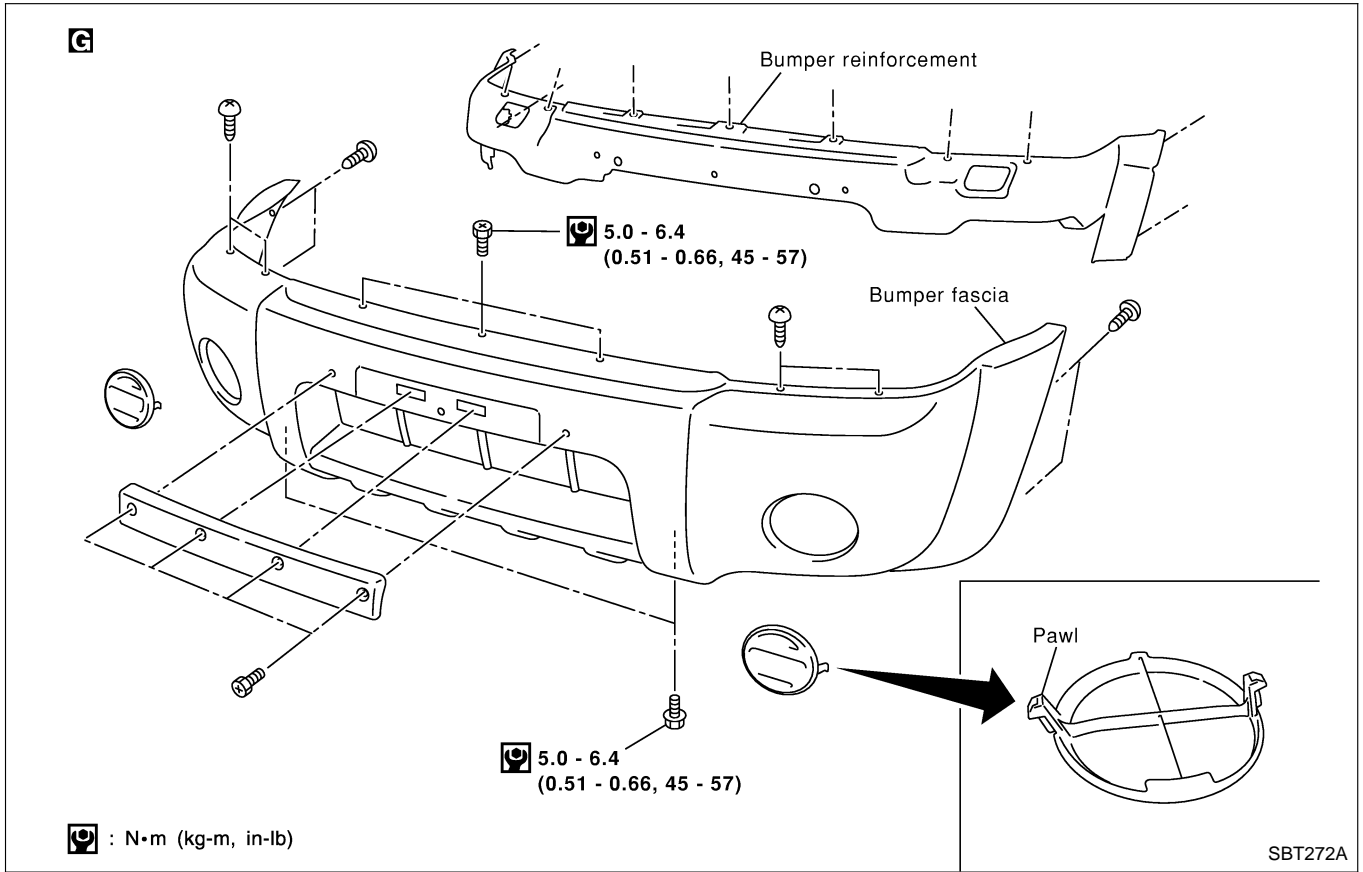
 : N•m (kg-m, ft-lb)

★ : Bumper assembly mounting bolts

SBT271A

BODY END

Body Front End (Cont'd)



EXTERIOR

Over fender

