

SECTION BT

CONTENTS

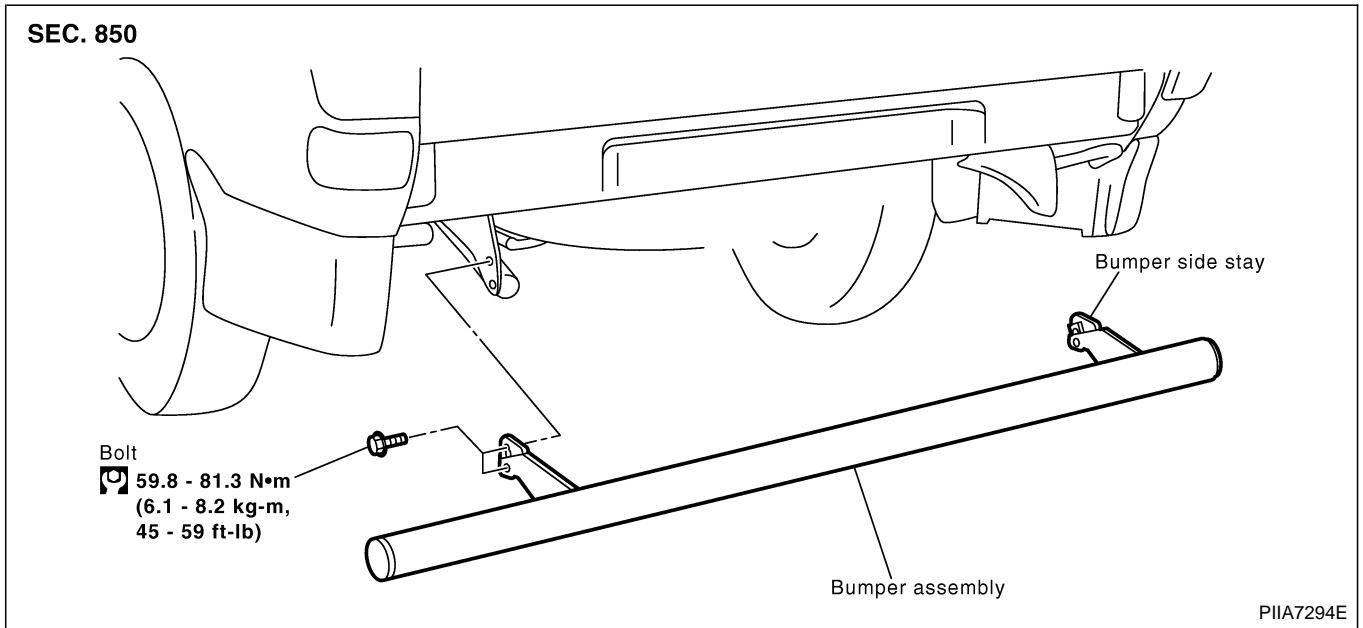
BODY END	4002	Stylish Guard Bar.....	4004
Body Rear End	4002	Side Step	4005
EXTERIOR	4003	INTERIOR TRIM	4006
Roof Rail	4003	Door Trim	4006

BODY END

Body Rear End

REMOVAL — Rear bumper assembly

- ① Remove bolts securing bumper side stay.
- ② Extract bumper assembly.

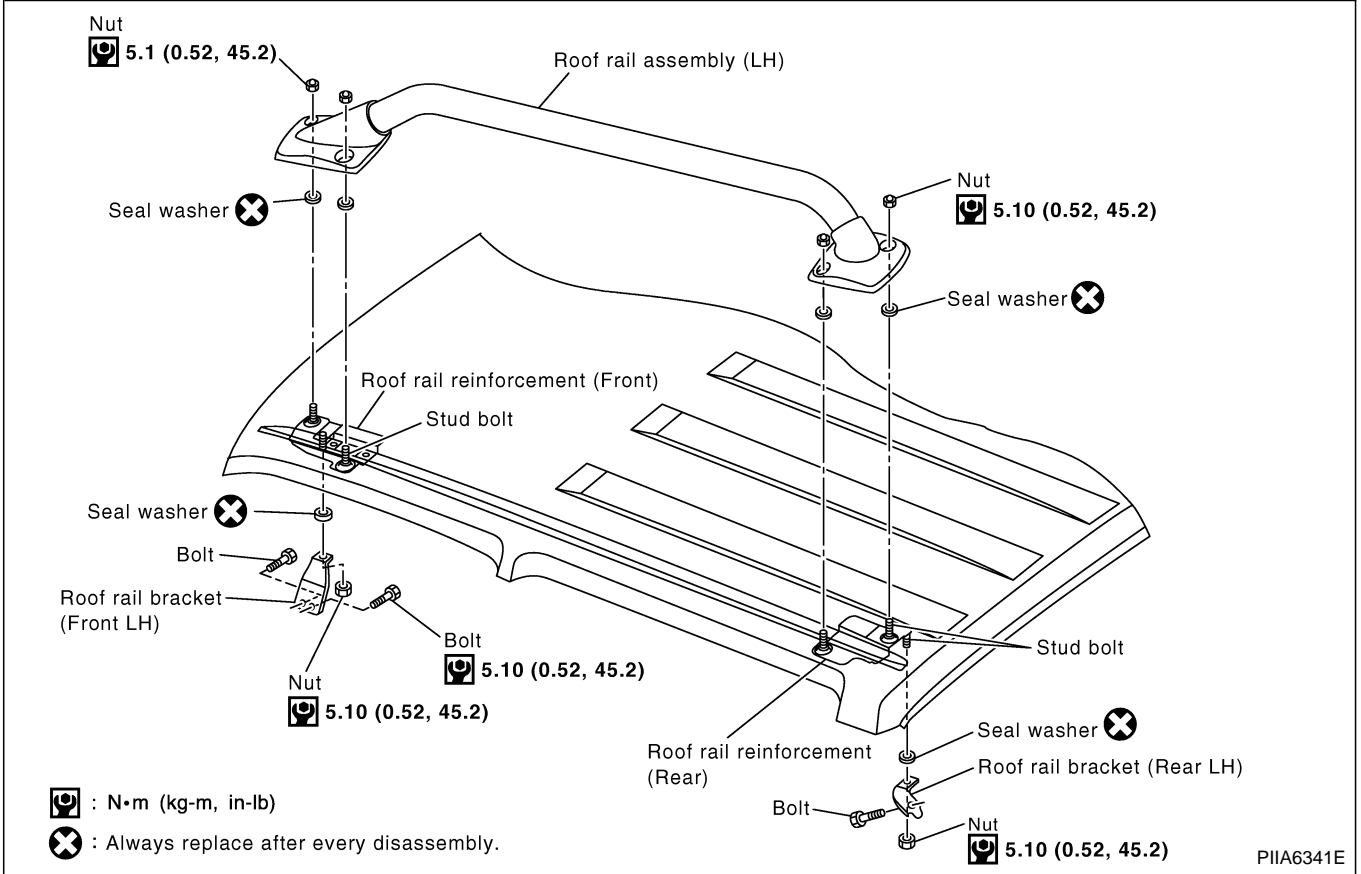


EXTERIOR

Roof Rail

REMOVAL — Roof rail assembly

- ① Remove nuts of roof rail (front).
- ② Remove nuts of roof rail (rear).
- ③ Remove roof rail assembly.

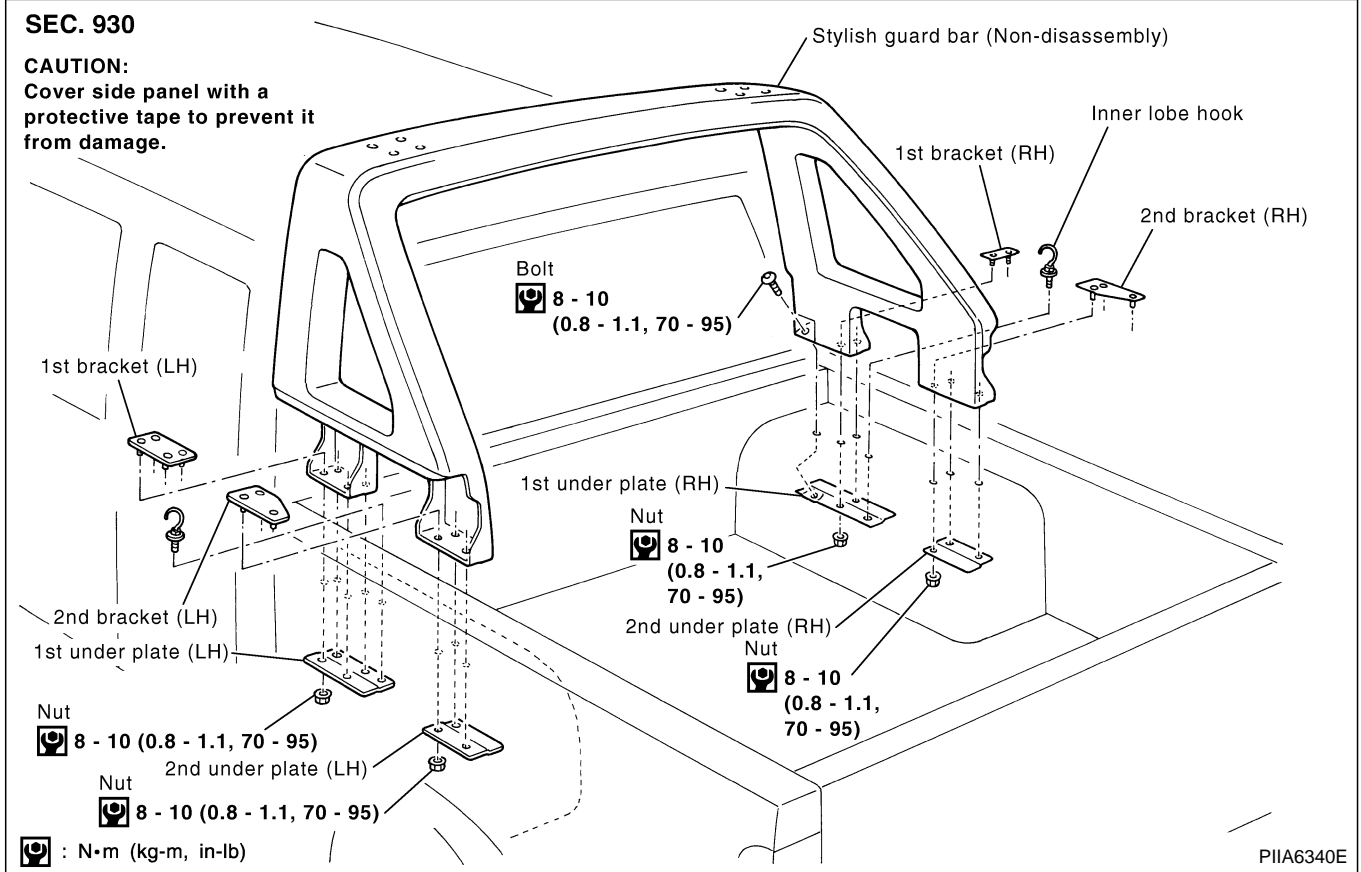


EXTERIOR

Stylish Guard Bar

REMOVAL — Stylish guard bar assembly

- ① Remove nuts of guard bar (left).
- ② Remove nuts of guard bar (right).
- ③ Remove bolt of guard bar (right).
- ④ Remove stylish guard bar assembly.

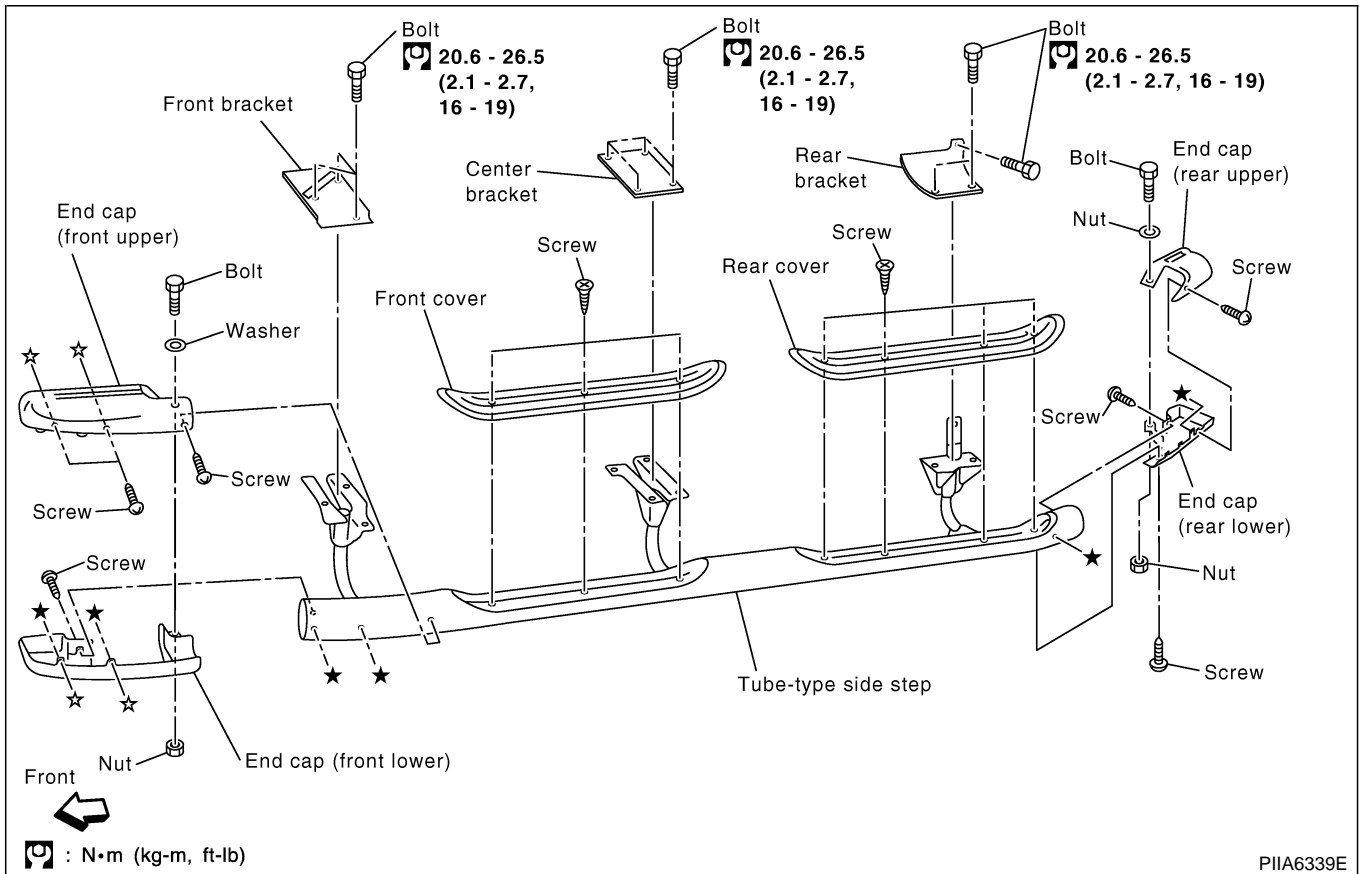


EXTERIOR

Side Step

REMOVAL — Side step assembly

- ① Remove front kicking plate (left/right).
- ② Remove rear kicking plate (left/right).
- ③ Remove dash side finisher (left/right).
- ④ Remove front seat (left/right).
- ⑤ Disconnect front seat belt harness connector (right).
- ⑥ Remove bolts of side step (front).
- ⑦ Remove bolts of side step (rear).
- ⑧ Remove bolts of side step (center).
- ⑨ Remove side step assembly.



INTERIOR TRIM

Door Trim

REMOVAL — Door trim

Front door trim

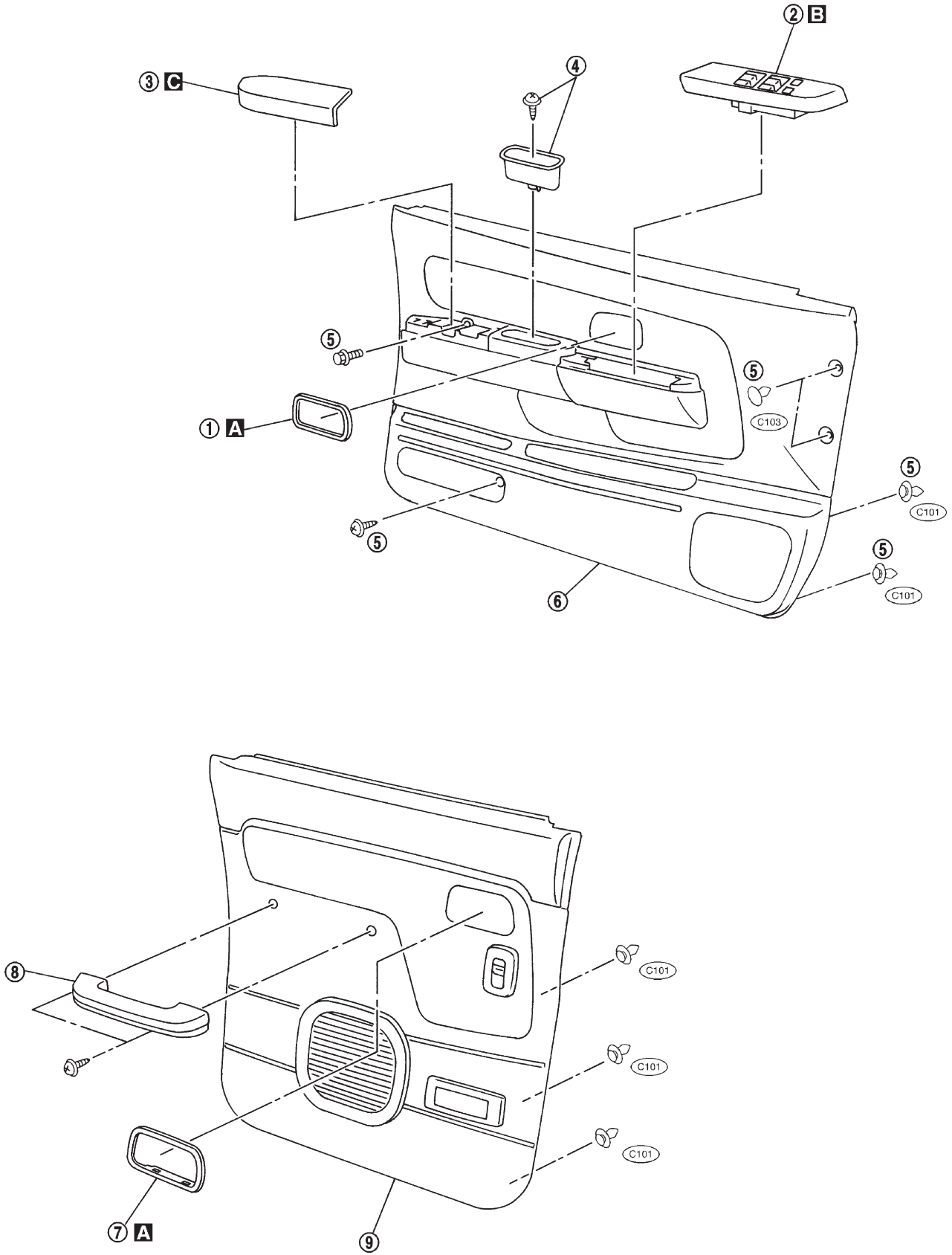
- ① Remove inside handle escutcheon. **A**
- ② Remove power window switch, then disconnect the connector. **B**
- ③ Remove door armrest. **C**
- ④ Remove screw securing pull handle and remove pull handle.
- ⑤ Remove bolt, screw and clip securing door finisher.
- ⑥ Lift out door finisher.

Rear door trim

- ⑦ Remove inside handle escutcheon. **A**
- ⑧ Remove screws securing door handle and remove door handle.
- ⑨ Lift out door finisher, then disconnect power window switch connector.

INTERIOR TRIM

Door Trim (Cont'd)



BT-4007

SBT437

INTERIOR TRIM

Door Trim (Cont'd)

