

<SUPPLEMENT-V>

## BODY & TRIM

# SECTION **BT**

### MODIFICATION NOTICE:

Stylish guard bar has been added.

## CONTENTS

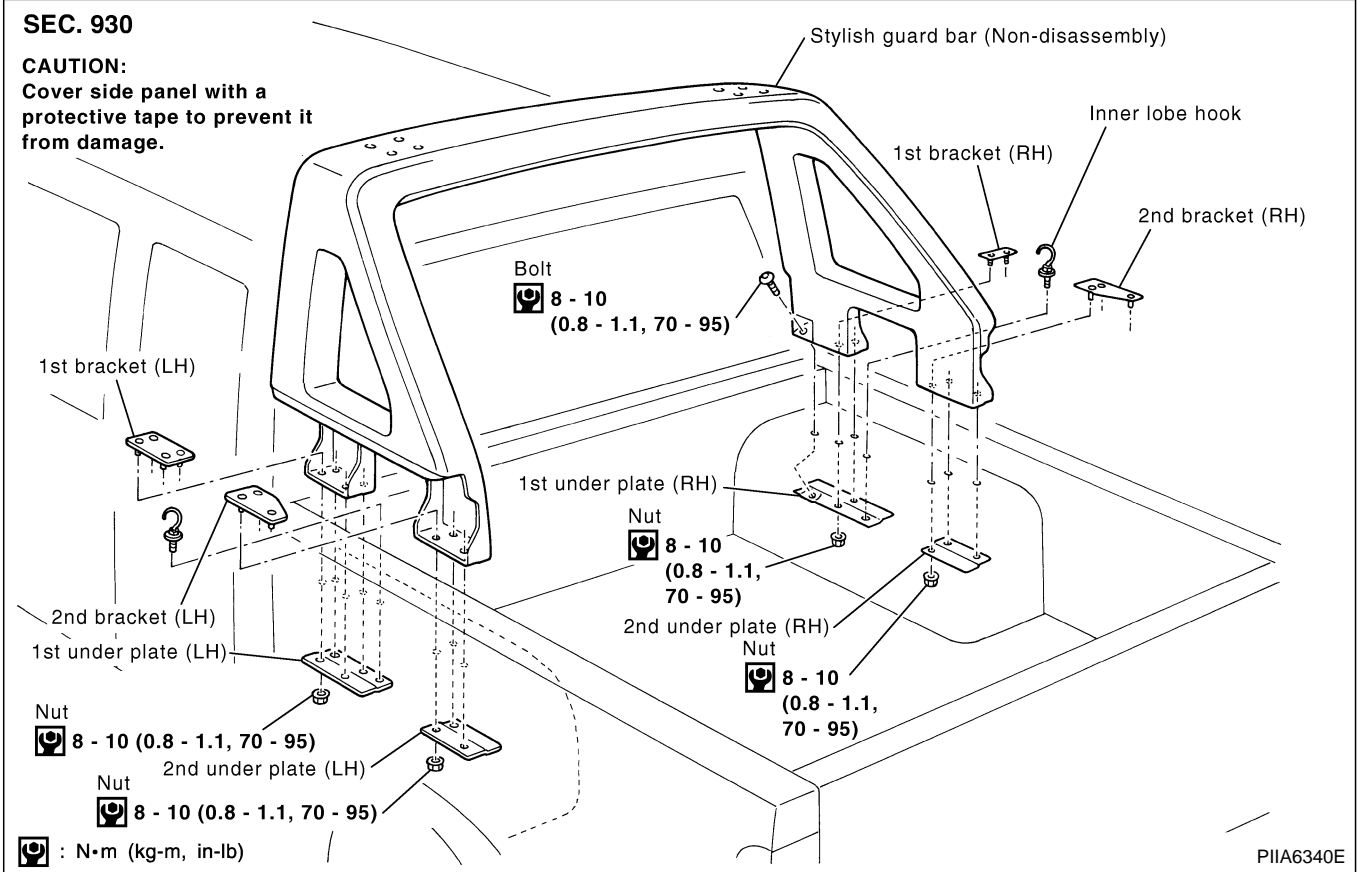
<b>EXTERIOR</b> .....	5002	Front Seat .....	5003
Stylish Guard Bar.....	5002	Rear Seat.....	5004

# EXTERIOR

## Stylish Guard Bar

### REMOVAL — Stylish guard bar assembly

- ① Remove nuts of guard bar (left).
- ② Remove nuts of guard bar (right).
- ③ Remove bolt of guard bar (right).
- ④ Remove stylish guard bar assembly.

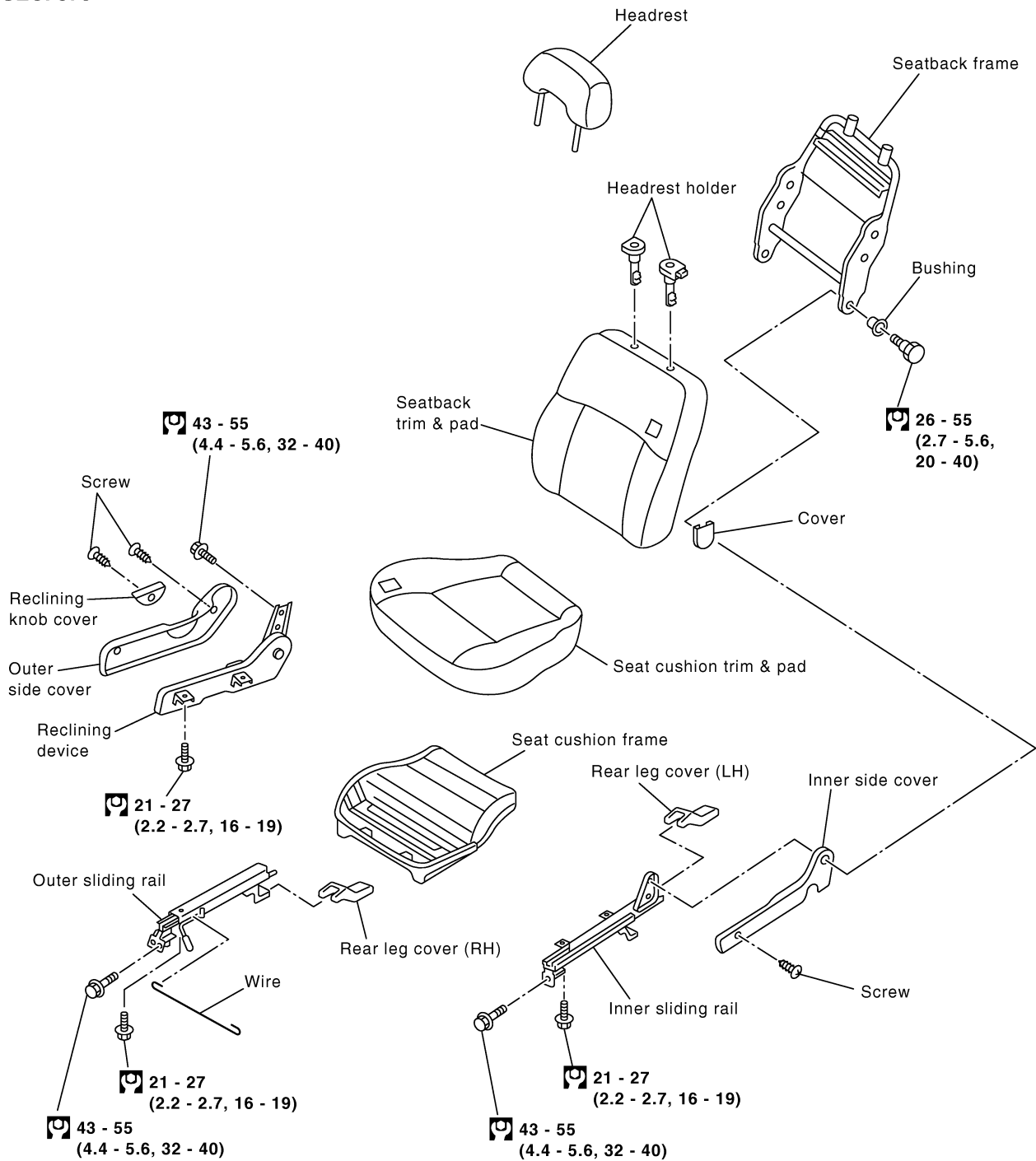


# EXTERIOR

- When removing or installing the seat trim, carefully handle it to keep dirt out and avoid damage.

## Front Seat

SEC. 870



: N•m (kg-m, ft-lb)

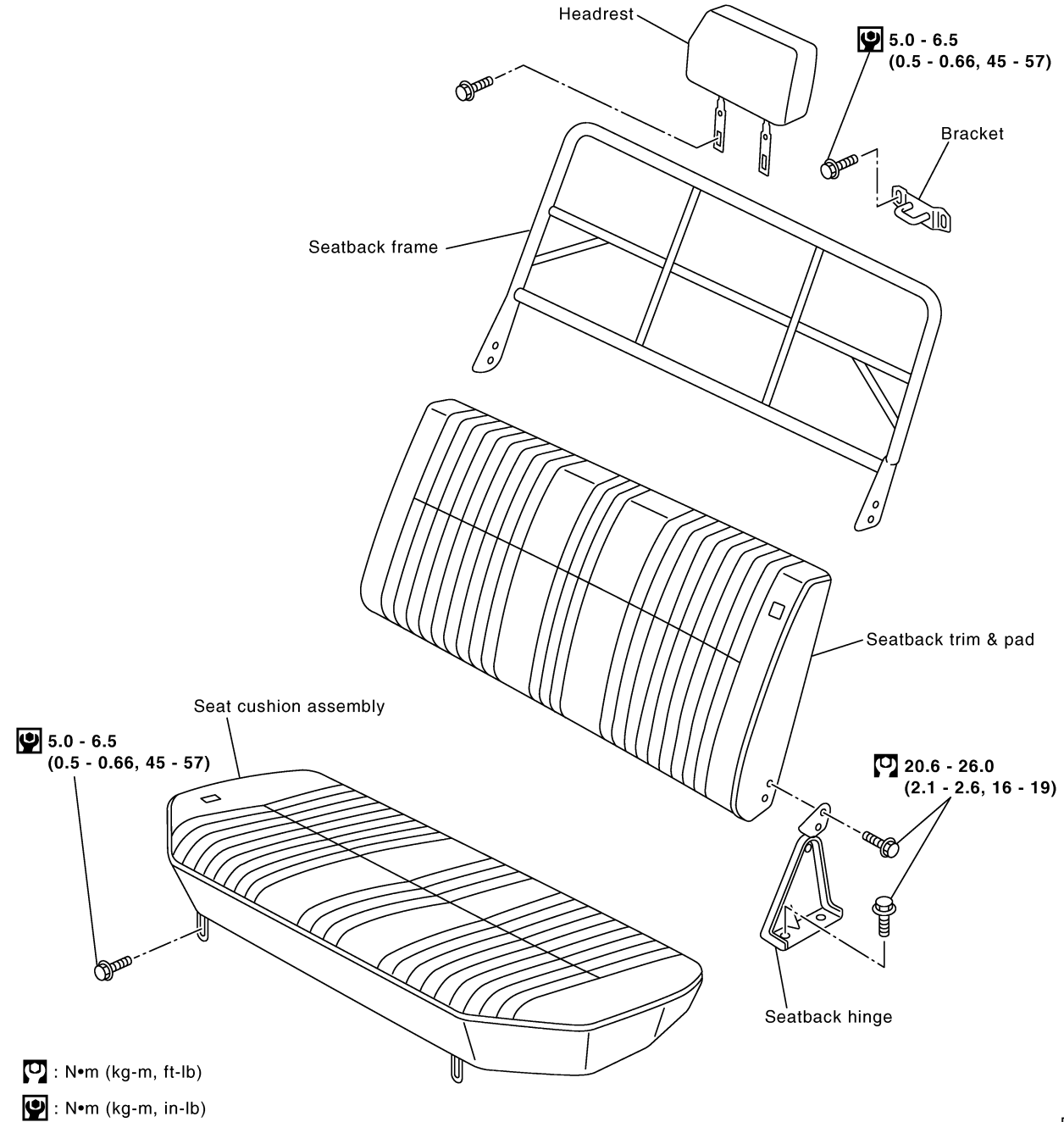
PIIB0901E

BT-5003

# EXTERIOR

## Rear Seat

SEC. 880



PIIB0902E

BT-5004