

SECTION **RS**

**MODIFICATION NOTICE:**

Air bag system wiring diagram has been changed.

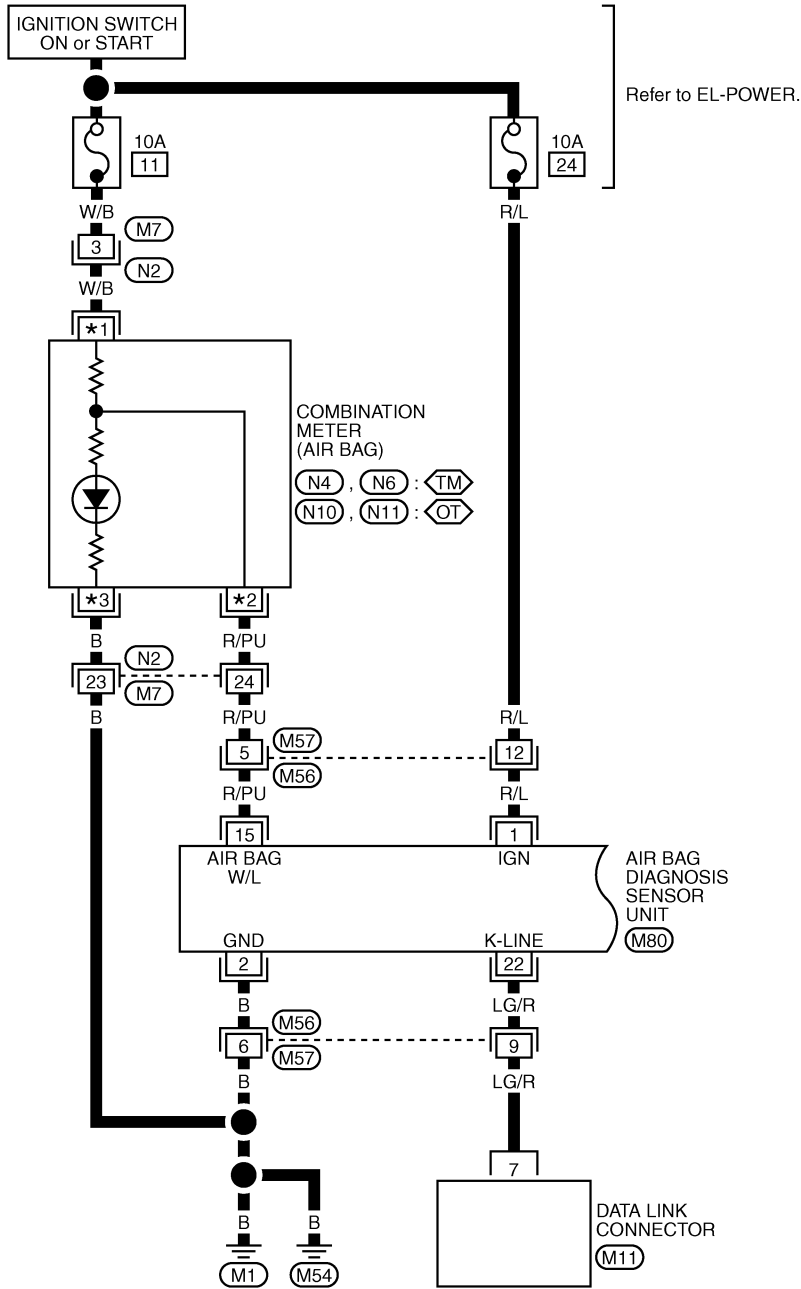
**CONTENTS**

<b>TROUBLE DIAGNOSES — Supplemental Restraint System (SRS)</b> .....2	<b>Wiring Diagram — SRS —</b> .....2
---	--------------------------------------

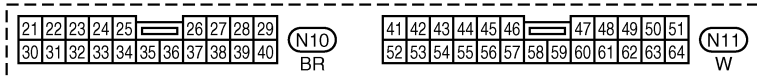
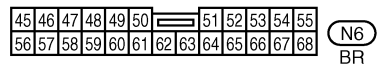
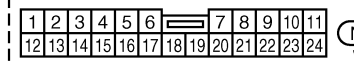
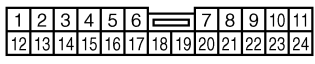
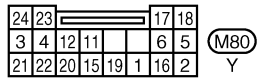
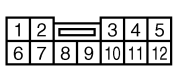
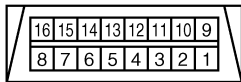
- GI
- MA
- EM
- LC
- EC
- FE
- CL
- MT
- AT
- TF
- PD
- FA
- RA
- BR
- ST
- RS**
- BT
- HA
- EL
- IDX

## Wiring Diagram — SRS —

RS-SRS-01



- TM : With tachometer
- OT : Without tachometer
- \*1 17 : TM
- 22 : OT
- \*2 45 : TM
- 48 : OT
- \*3 24 : TM
- 23 : OT

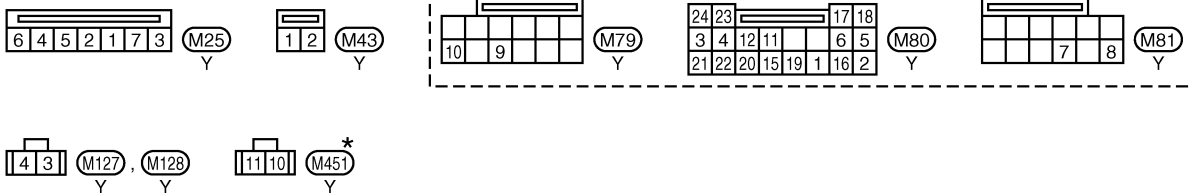
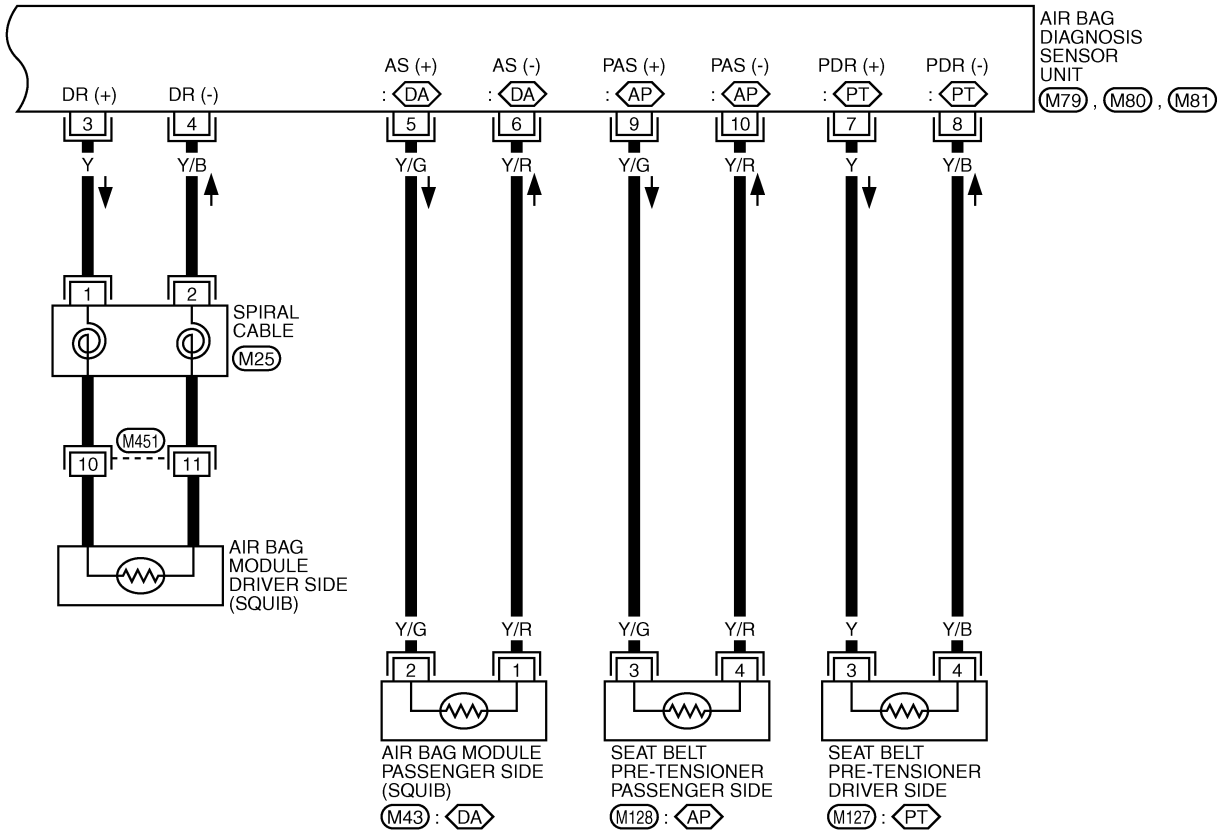


# TROUBLE DIAGNOSES — Supplemental Restraint System (SRS)

## Wiring Diagram — SRS — (Cont'd)

RS-SRS-02

- DA : With dual air bag
- PT : With seat belt pre-tensioner
- AP : With seat belt pre-tensioner (Driver and passenger side)



\*: This connector is not shown in "HARNES LAYOUT", EL section.

GRS026A

GI  
 MA  
 EM  
 LC  
 EC  
 FE  
 CL  
 MT  
 AT  
 TF  
 PD  
 FA  
 RA  
 BR  
 ST  
**RS**  
 BT  
 HA  
 EL  
 IDX