

**SECTION BT**

**CONTENTS**

<b>PRECAUTIONS AND PREPARATION</b> .....2	⑧ Door weatherstrip.....24
Service Notice.....2	⑨ Door outside molding.....24
Supplemental Restraint System (SRS)	⑩ Drafter duct.....25
“AIR BAG”.....2	⑪ Over fender.....25
<b>GENERAL SERVICING</b> .....3	⑫ Rear combination lamp.....25
Clip and Fastener.....3	<b>SEAT</b> .....26
<b>BODY END</b> .....5	Front Seat.....26
Body Front End.....5	Jump Seat — King Cab Model.....29
Removal — Front bumper assembly.....5	<b>SUNROOF</b> .....30
Body Rear End.....8	<b>WINDSHIELD AND WINDOWS</b> .....31
Removal — Rear bumper assembly.....8	Windshield.....32
<b>DOOR</b> .....10	Side Window.....32
Front Door.....10	Back Window.....33
<b>INSTRUMENT PANEL</b> .....11	Rearview Mirror.....34
Removal — Instrument panel assembly.....11	<b>MIRROR</b> .....35
<b>INTERIOR TRIM</b> .....14	Door Mirror.....35
Side and Floor Trim.....14	Removal — Door mirror.....35
Removal — Body side trim.....14	<b>CAB AND REAR BODY</b> .....36
King cab model.....14	Body Mounting.....36
Standard cab model.....14	<b>BODY ALIGNMENT</b> .....37
Door Trim.....17	Engine Compartment.....38
Removal.....17	Measurement.....38
Door trim (Formed type).....17	Measurement Points.....39
Roof Trim.....20	Underbody.....40
Removal — Headlining.....20	Measurement.....40
<b>EXTERIOR</b> .....22	2WD-4WD (Short wheelbase) models.....40
① Hood front sealing rubber.....23	Measurement Points.....41
② Cowl top seal and cowl top grille.....23	2WD-4WD (Short wheelbase) models.....41
③ Windshield side molding.....23	Measurement.....42
④ Windshield upper molding.....23	2WD-4WD (Long wheelbase) models.....42
⑤ Sunroof weatherstrip and lid protector.....23	Measurement Points.....43
⑥ Drip weatherstrip.....24	2WD-4WD (Long wheelbase) models.....43
⑦ Body side welt.....24	

- ★ For seat belt, refer to MA and RS section.
- ★ For wiring diagrams of body electrical systems, refer to EL section.

GI  
MA  
EM  
LC  
EC  
FE  
CL  
MT  
AT  
TF  
PD  
FA  
RA  
BR  
ST  
RS  
BT  
HA  
EL  
IDX

## PRECAUTIONS AND PREPARATION

---

### Service Notice

- When removing or installing various parts, place a cloth or padding onto the vehicle body to prevent scratches.
- Handle trim, molding, instruments, grille, etc. carefully during removing or installing. Be careful not to soil or damage them.
- Apply sealing compound where necessary when installing parts.
- When applying sealing compound, be careful that the sealing compound does not protrude from parts.
- When replacing any metal parts (for example body outer panel, members, etc.), be sure to take rust prevention measures.

### Supplemental Restraint System (SRS) “AIR BAG”

The Supplemental Restraint System “AIR BAG”, used along with a seat belt, helps to reduce the risk or severity of injury to the driver and front passenger in a frontal collision. The Supplemental Restraint System consists of air bag modules (located in the center of the steering wheel and in the instrument panel on the passenger side), a diagnosis sensor unit, a crash zone sensor (4WD models), warning lamp, wiring harness and spiral cable.

The vehicle is equipped with a passenger air bag deactivation switch. Because no rear seat exists where a rear-facing child restraint can be placed, the switch is designed to turn off the passenger air bag so that a rear-facing child restraint can be used in the front passenger seat. The switch is located in the center of the instrument panel, near the ashtray. When the switch is turned to the ON position, the passenger air bag is enabled and could inflate in a frontal collision. When the switch is turned to the OFF position, the passenger air bag is disabled and will not inflate in a frontal collision. A passenger air bag OFF indicator on the instrument panel lights up when the passenger air bag is switched OFF. The driver air bag always remains enabled and is not affected by the passenger air bag deactivation switch.

Information necessary to service the system safely is included in the **RS section** of this Service Manual.


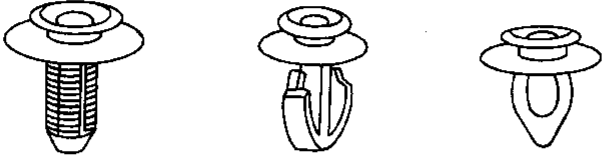
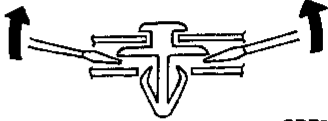

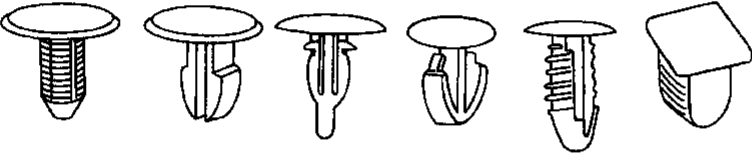
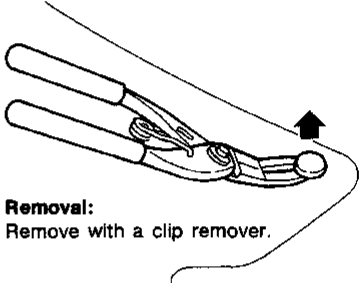

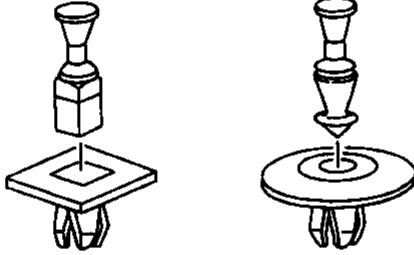
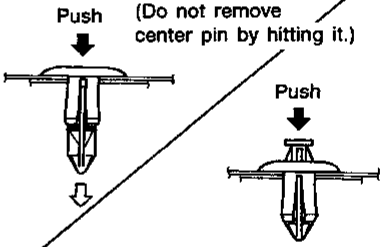

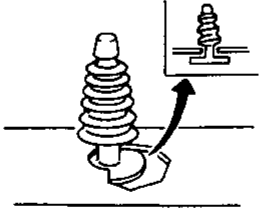
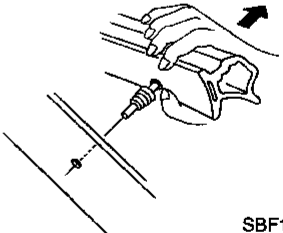
#### **WARNING:**

- **To avoid rendering the SRS inoperative, which could increase the risk of personal injury or death in the event of a collision which would result in air bag inflation, all maintenance should be performed by an authorized NISSAN dealer.**
- **Improper maintenance, including incorrect removal and installation of the SRS, can lead to personal injury caused by unintentional activation of the system.**
- **Do not use electrical test equipment on any circuit related to the SRS unless instructed to in this Service Manual. SRS wiring harnesses are covered with yellow insulation either just before the harness connectors or on the complete harness, for easy identification.**
- **The vehicle is equipped with a passenger air bag deactivation switch which can be operated by the customer. When the passenger air bag is switched OFF, the passenger air bag is disabled and will not inflate in a frontal collision. When the passenger air bag is switched ON, the passenger air bag is enabled and could inflate in a frontal collision. After SRS maintenance or repair, make sure the passenger air bag deactivation switch is in the same position (ON or OFF) as when the vehicle arrived for service.**

# GENERAL SERVICING

## Clip and Fastener


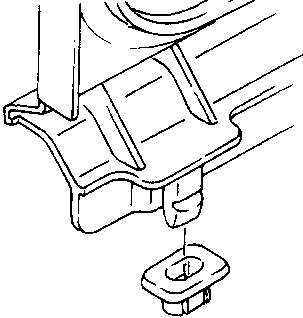
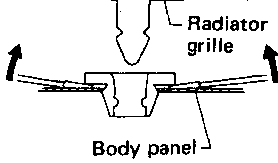

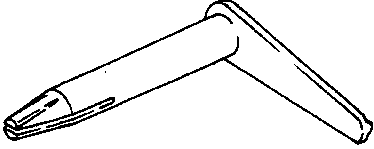


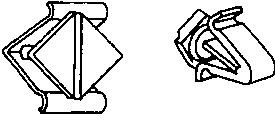


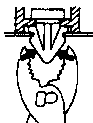


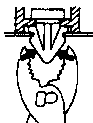


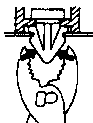

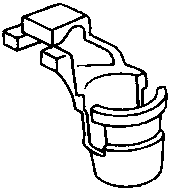
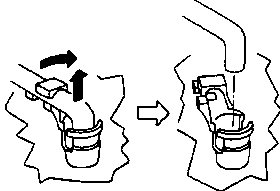

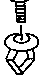
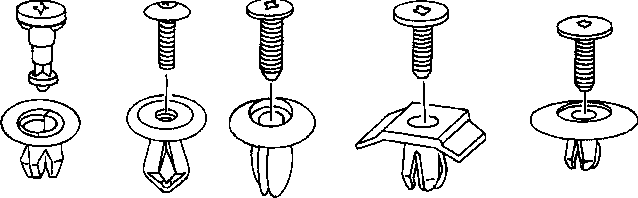
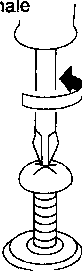
- Clips and fasteners in BT section correspond to the following numbers and symbols.
- Replace any clips and/or fasteners which are damaged during removal or installation.

Symbol No.	Shapes	Removal & Installation
	 <p style="text-align: right;">SBF302H</p>	<p><b>Removal:</b> Remove by bending up with flat-bladed screwdrivers or clip remover.</p>  <p style="text-align: right;">SBF367BA</p>
	 <p style="text-align: right;">SBT095</p>	 <p><b>Removal:</b> Remove with a clip remover.</p> <p style="text-align: right;">SBF423H</p>
	 <p style="text-align: right;">SBF258G</p>	<p>Push center pin to catching position. (Do not remove center pin by hitting it.)</p>  <p><b>Installation:</b></p> <p style="text-align: right;">SBF708E</p>
	 <p style="text-align: right;">SBF104B</p>	<p><b>Removal:</b></p>  <p style="text-align: right;">SBF147B</p>

GI  
MA  
EM  
LC  
EC  
FE  
CL  
MT  
AT  
TF  
PD  
FA  
RA  
BR  
ST  
RS  
BT  
HA  
EL  
IDX

# GENERAL SERVICING

## Clip and Fastener (Cont'd)

Symbol No.	Shapes	Removal & Installation				
	 <p style="text-align: right;">SBF351C</p>	<p><b>Removal:</b> Remove by bending up with flat-bladed screwdrivers.</p>  <p style="text-align: right;">SBF352C</p>				
	 <p style="text-align: right;">SBF353C</p>	<p style="text-align: center;">—</p>				
 	 <p style="text-align: right;">SBF145B</p>	<table border="0" style="width: 100%;"> <tr> <td style="width: 50%; vertical-align: top;"> <p><b>Removal:</b></p>  <p>Rotate 45° to remove.</p> </td> <td style="width: 50%; vertical-align: top;"> <p><b>Installation:</b></p>  </td> </tr> <tr> <td colspan="2" style="text-align: center;"> <p><b>Removal:</b></p>  </td> </tr> </table> <p style="text-align: right;">SBF085B</p>	<p><b>Removal:</b></p>  <p>Rotate 45° to remove.</p>	<p><b>Installation:</b></p> 	<p><b>Removal:</b></p> 	
<p><b>Removal:</b></p>  <p>Rotate 45° to remove.</p>	<p><b>Installation:</b></p> 					
<p><b>Removal:</b></p> 						
	 <p style="text-align: right;">SBF766B</p>	<p><b>Removal:</b> Holder portion of clip must be spread out to remove rod.</p>  <p style="text-align: right;">SBF770B</p>				
 	 <p style="text-align: right;">SBF078B</p>	<p><b>Removal:</b></p> <ol style="list-style-type: none"> <li>1. Screw out with a Phillips screwdriver.</li> <li>2. Remove female portion with flat-bladed screwdriver.</li> </ol>  <p style="text-align: right;">SBF992G</p>				

## Body Front End

- When removing or installing hood, place a cloth or other padding on hood. This prevents vehicle body from being scratched.
- Bumper fascia is made of plastic. Do not use excessive force and be sure to keep oil away from it.
- Hood adjustment: Adjust at hinge portion.
- Hood lock adjustment: After adjusting, check hood lock control operation. Apply a coat of grease to hood locks engaging mechanism.
- Hood opener: Do not attempt to bend cable forcibly. Doing so increases effort required to unlock hood.

### REMOVAL — Front bumper assembly

- ① Remove screws securing left and right combination lamps and remove the lamps. **A**
- ② Remove clips securing front grille and remove the front grille. **B**
- ③ Remove bolts securing left and right bumper stays. **C**
- ④ Remove bolts securing left and right bumper side brackets. **D**
- ⑤ Remove bolts securing left and right bumper side stays. **E**
- ⑥ Remove bumper assembly.  
Separate bumper assembly.

GI

MA

EM

LC

EC

FE

CL

MT

AT

TF

PD

FA

RA

BR

ST

RS

**BT**

HA

EL

IDX

# BODY END

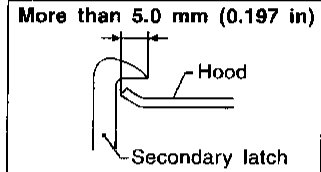
## Body Front End (Cont'd)

SEC. 261 • 620 • 650

### Hood lock adjustment

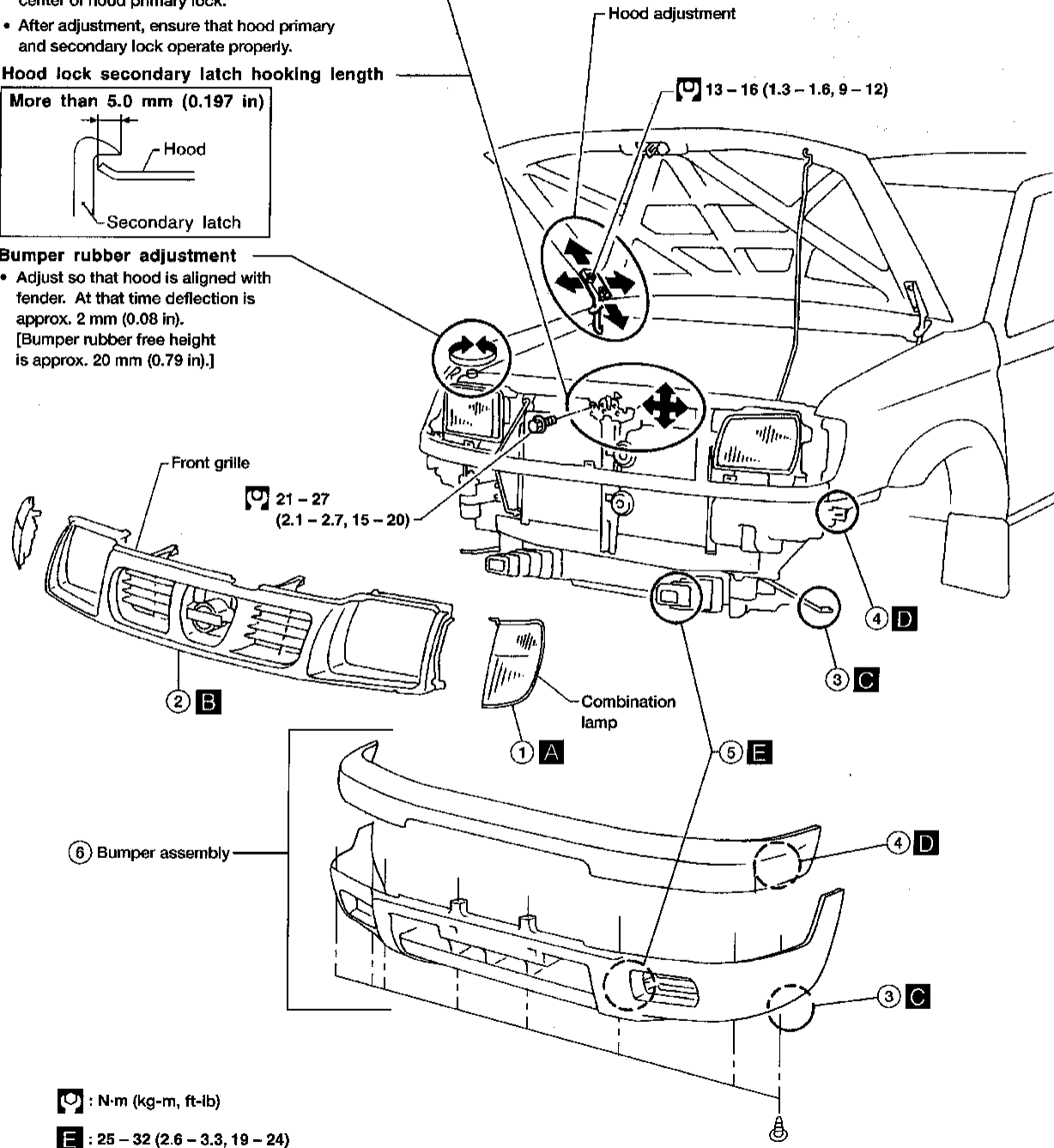
- Adjust hood so that hood primary lock meshes at a position 1 to 1.5 mm (0.039 to 0.059 in) lower than fender.
- After hood lock adjustment, adjust bumper rubber.
- When securing hood lock, ensure it does not tilt. Striker must be positioned at the center of hood primary lock.
- After adjustment, ensure that hood primary and secondary lock operate properly.

### Hood lock secondary latch hooking length



### Bumper rubber adjustment

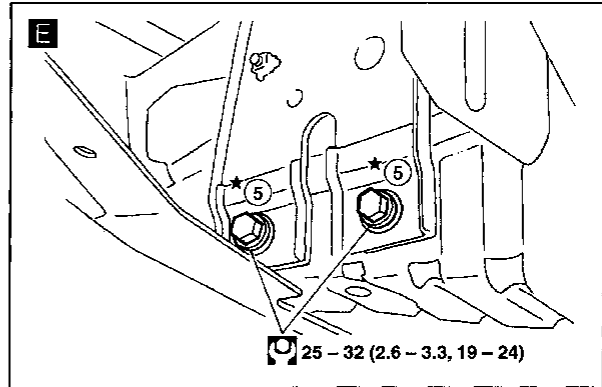
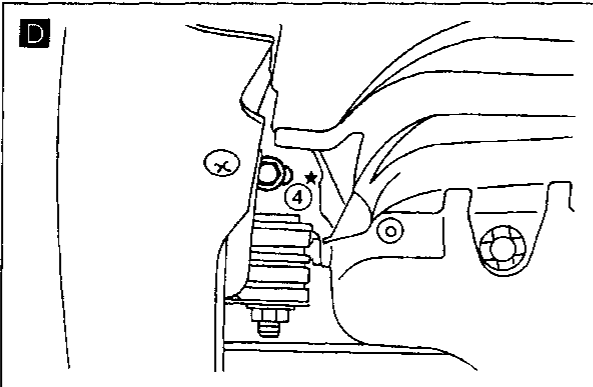
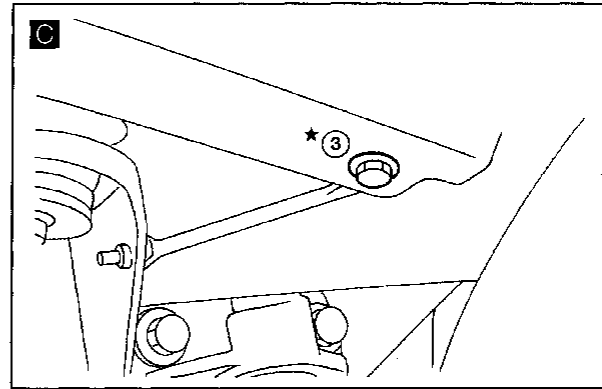
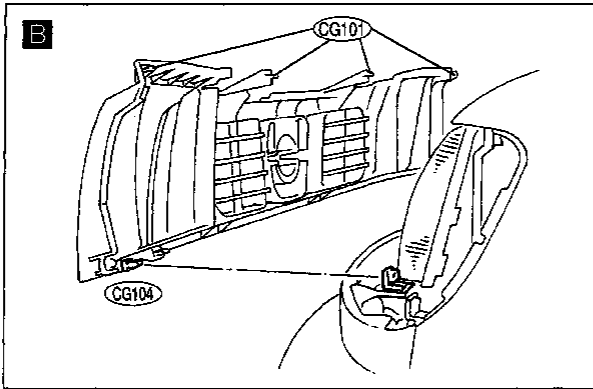
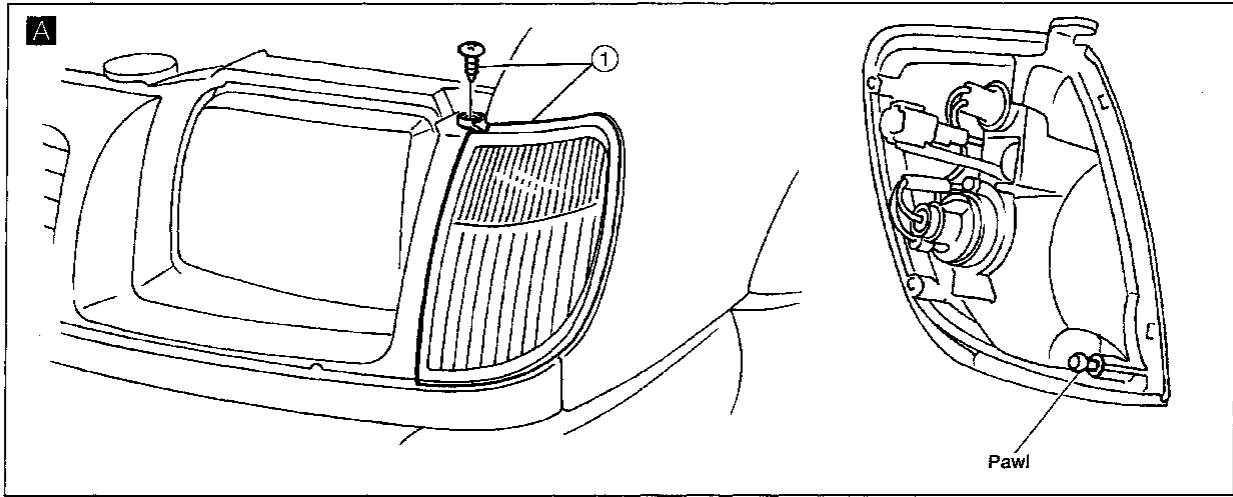
- Adjust so that hood is aligned with fender. At that time deflection is approx. 2 mm (0.08 in). [Bumper rubber free height is approx. 20 mm (0.79 in).]



ABT419

# BODY END

## Body Front End (Cont'd)



 : N·m (kg-m, ft-lb)

★ : Bumper assembly mounting bolts

GI  
MA  
EM  
LC  
EC  
FE  
CL  
MT  
AT  
TF  
PD  
FA  
RA  
BR  
ST  
RS  
BT  
HA  
EL  
IDX

# BODY END

## Body Rear End

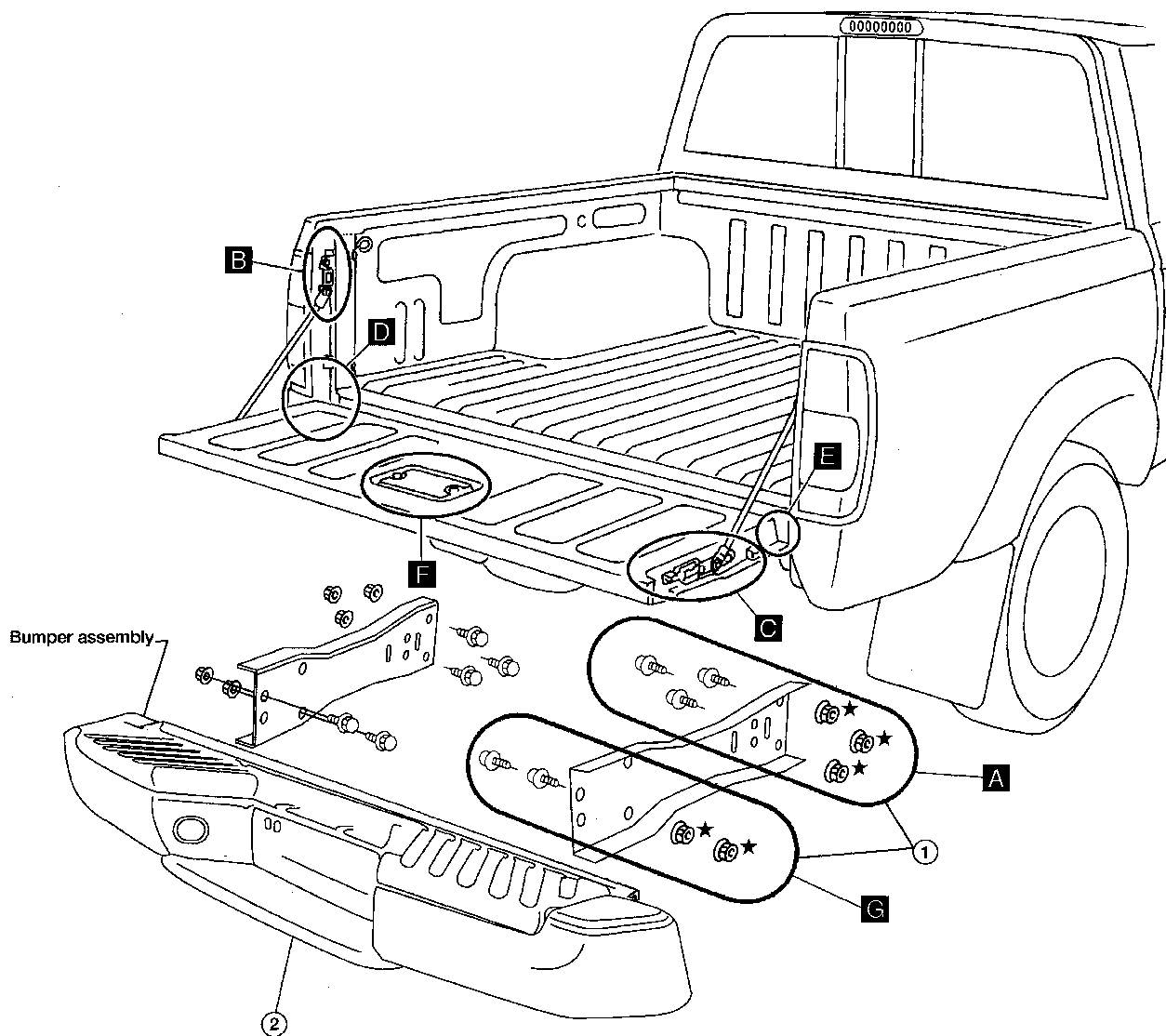
- Adjustment: Adjust at hinge portion for proper fit.
- Lock system adjustment: Adjust striker so that it is in the center of the lock. After adjustment, check trunk lid lock operation.
- After installation, make sure that rear gate opens smoothly.

### REMOVAL — Rear bumper assembly

Remove connectors securing license plate lamps.

- ① Remove nuts securing bumper side stay. **A** or **G**
- ② Remove bumper assembly.

SEC. 930A • 940A



: N·m (kg·m, ft·lb)

**A** : 68 - 78 (6.9 - 8.0, 50 - 58)

**B** : 13 - 16 (1.3 - 1.6, 9 - 12)  
21 - 26 (2.1 - 2.7, 15 - 20)

**C** : 13 - 16 (1.3 - 1.6, 9 - 12)

**D** : 21 - 26 (2.1 - 2.7, 15 - 20)

**E** : 21 - 26 (2.1 - 2.7, 15 - 20)

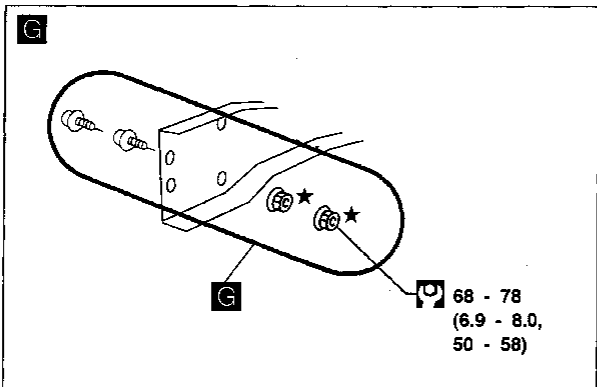
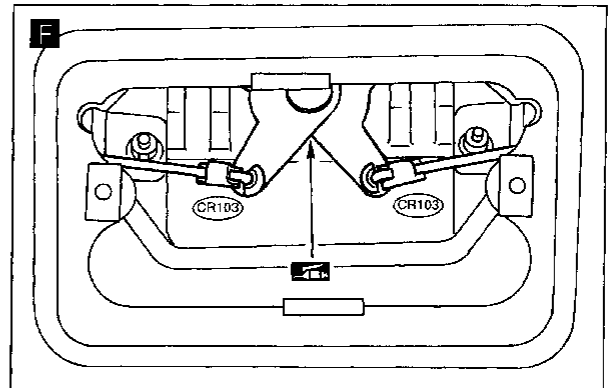
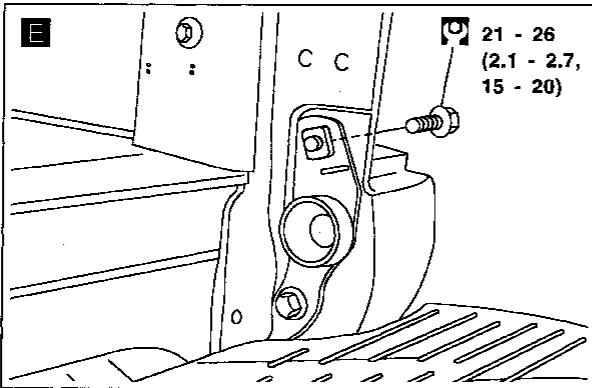
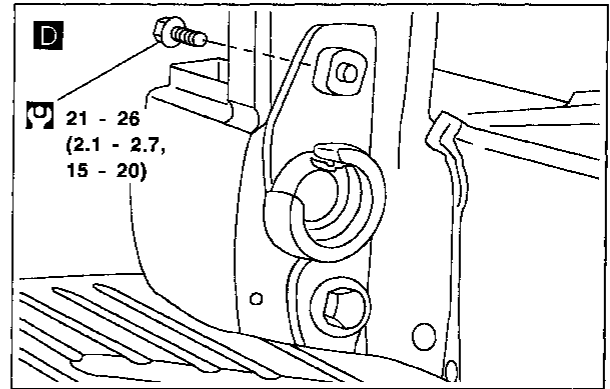
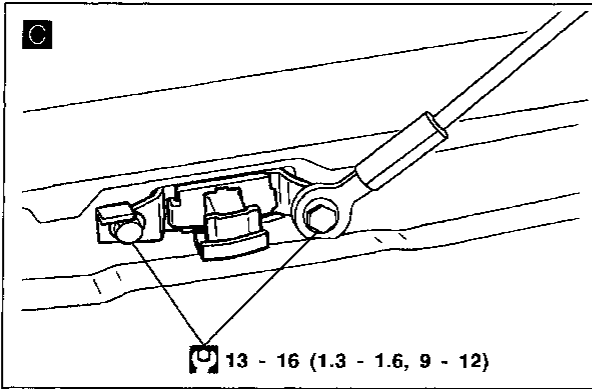
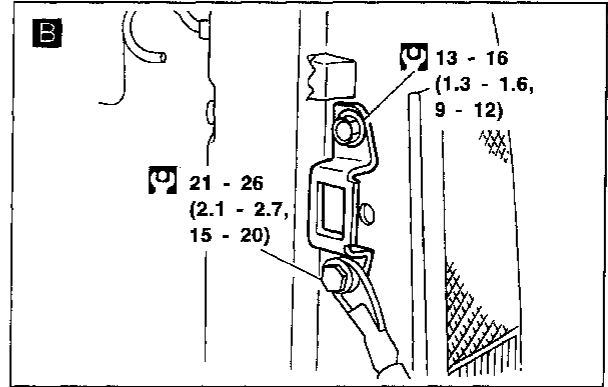
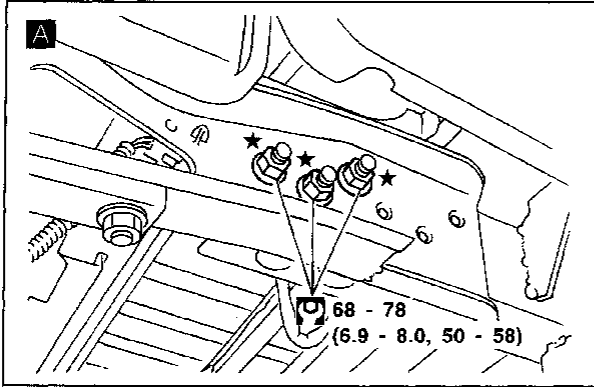
**G** : 68 - 78 (6.9, 8.0, 5.0 - 58)

★ : Bumper assembly mounting nuts



# BODY END

## Body Rear End (Cont'd)



**Q** : N·m (kg·m, ft·lb)

★ : Bumper assembly mounting bolts and nuts

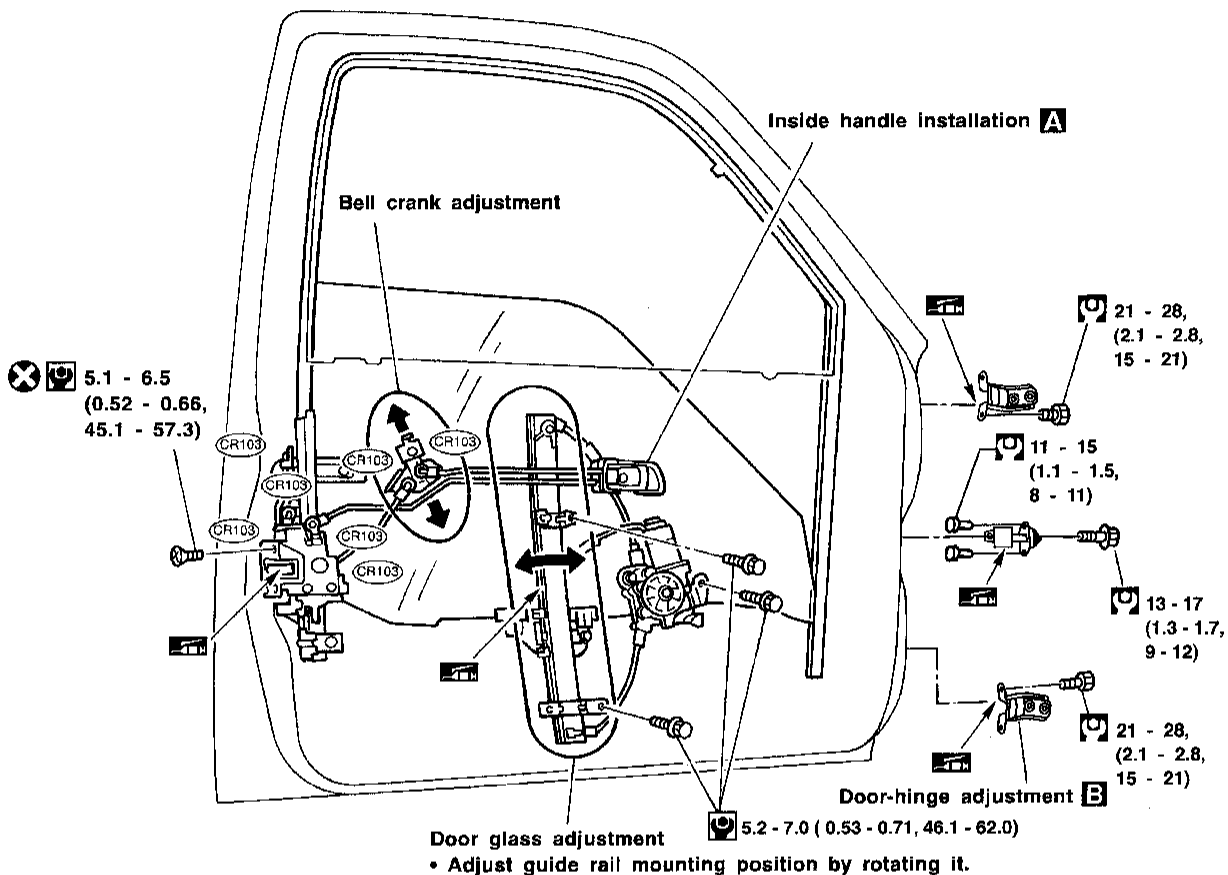
GI  
MA  
EM  
LC  
EC  
FE  
CL  
MT  
AT  
TF  
PD  
FA  
RA  
BR  
ST  
RS  
BT  
HA  
EL  
IDX

# DOOR

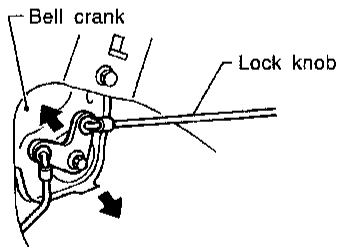
## Front Door

- For removal of door trim, refer to "Door Trim" in "INTERIOR TRIM" for details, BT-17.
- After adjusting door or door lock, check door lock operation.

SEC. 800•803•805

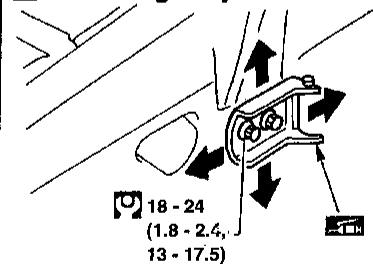


### A Bell crank adjustment

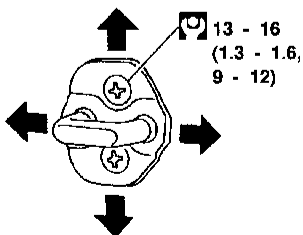


Lock door after setting door lock assembly and inside handle in position. Move bell crank in direction of arrow (shown in figure at left) to take up knob free play, and secure with bolts.

### B Door-hinge adjustment



### Striker adjustment



: N•m (kg-m, in-lb)

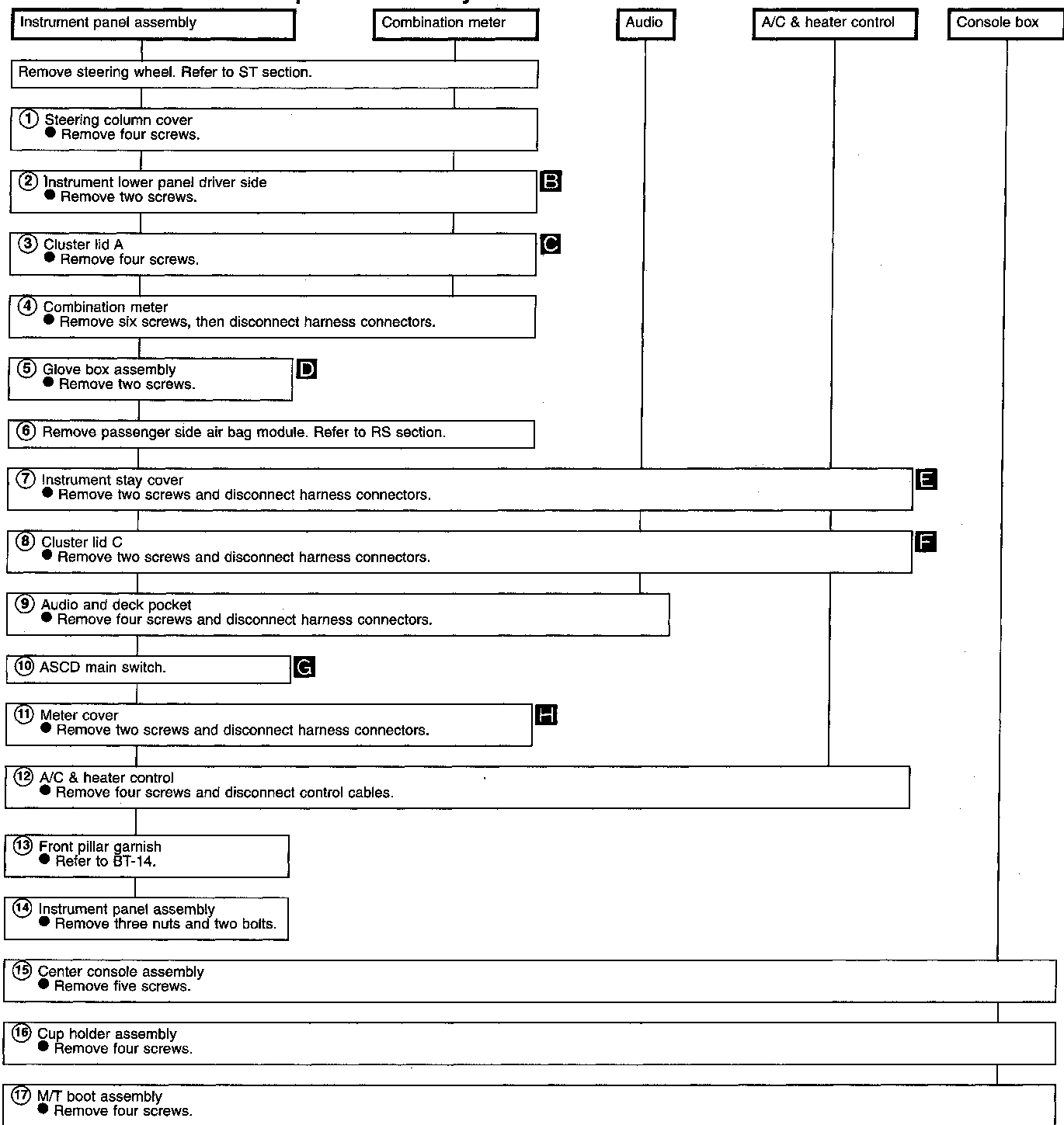
: N•m (kg-m, ft-lb)

# INSTRUMENT PANEL

## CAUTION:

- Disconnect both terminals from battery in advance.
- Disconnect air bag module connectors in advance.
- Be careful not to scratch finishers and other parts.
- Never tamper with or force air bag lid open, as this may adversely affect air bag performance.

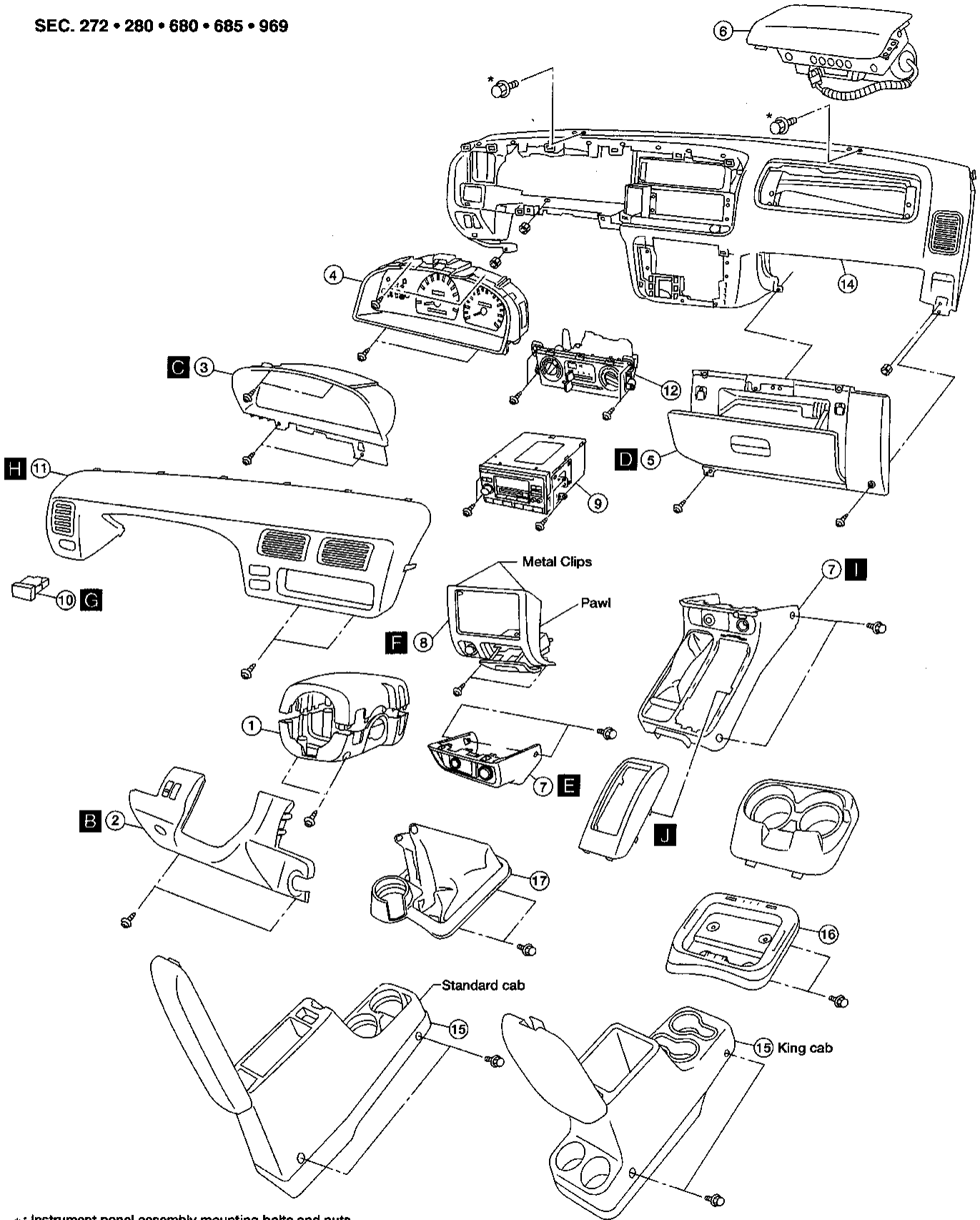
## REMOVAL — Instrument panel assembly



GI  
 MA  
 EM  
 LC  
 EC  
 FE  
 CL  
 MT  
 AT  
 TF  
 PD  
 FA  
 RA  
 BR  
 ST  
 RS  
**BT**  
 HA  
 EL  
 IDX

# INSTRUMENT PANEL

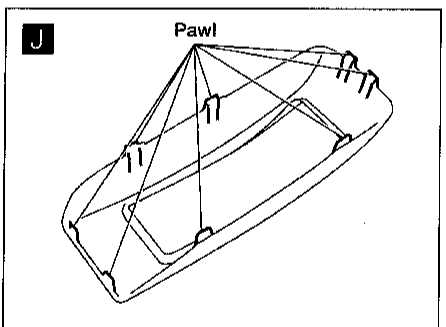
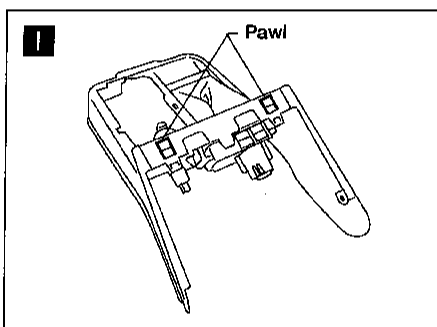
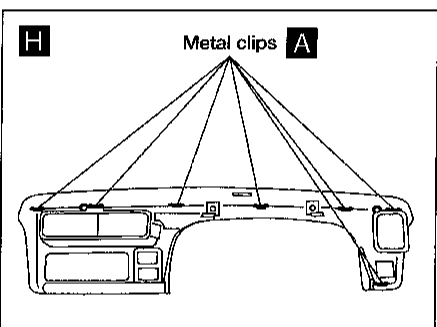
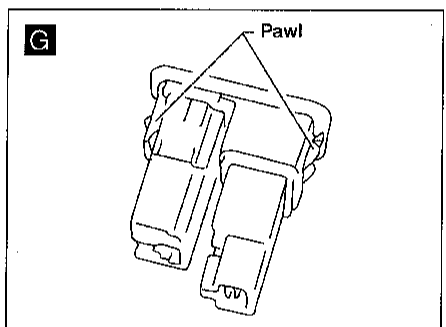
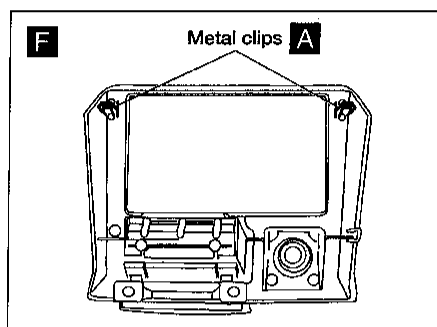
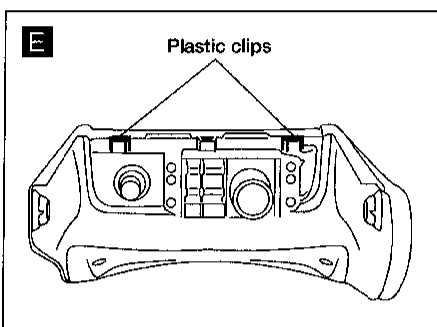
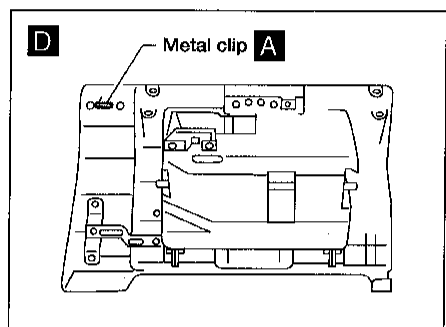
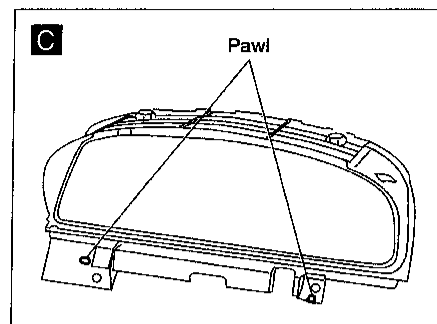
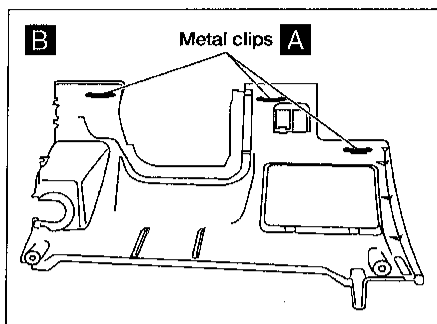
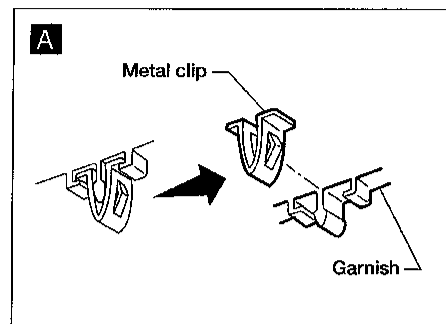
SEC. 272 • 280 • 680 • 685 • 969



\*: Instrument panel assembly mounting bolts and nuts.

ABT403

# INSTRUMENT PANEL



GI  
MA  
EM  
LC  
EC  
FE  
CL  
MT  
AT  
TF  
PD  
FA  
RA  
BR  
ST  
RS  
BT  
HA  
EL  
IDX

# INTERIOR TRIM

---

## Side and Floor Trim

### CAUTION:

Wrap the tip of flat-bladed screwdriver with a cloth when removing metal clips from garnishes.

### REMOVAL — Body side trim

#### King cab model

- ① Remove front and jump seats. Refer to "SEAT" for details, BT-24, 27.
- ② Remove kicking plates.
- ③ Remove dash side lower finishers.
- ④ Remove body side welts.
- ⑤ Remove front pillar garnishes.
- ⑥ Remove jack cover.
- ⑦ Remove lower rear pillar garnishes.
- ⑧ Remove seat belt upper guide loop. Refer to "SEAT BELTS" in RS section.
- ⑨ Remove upper rear pillar garnishes.

#### Standard cab model

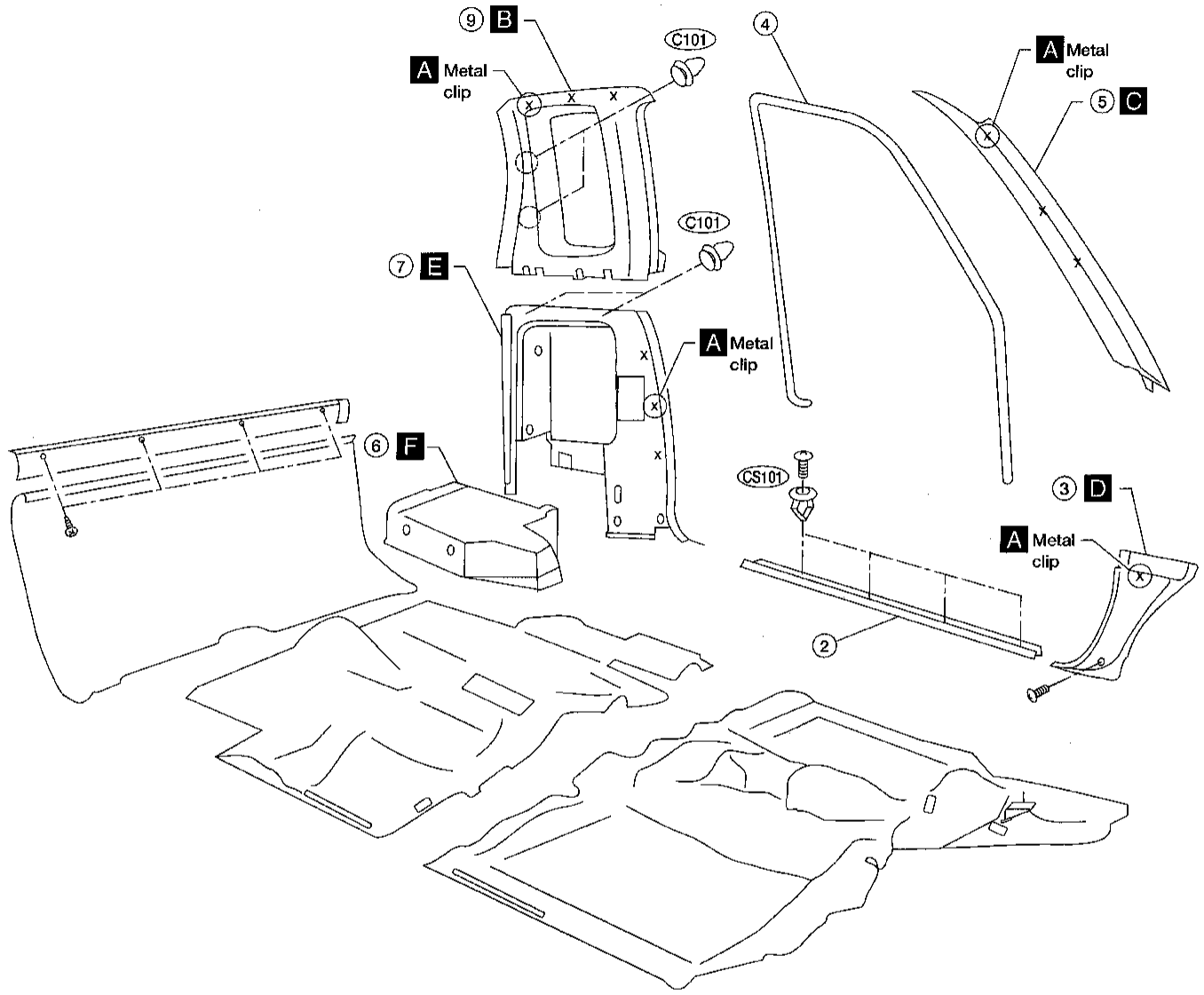
- ① Remove front seats. Refer to "SEAT" for details, BT-24.
- ② Remove kicking plates.
- ③ Remove dash side lower finishers.
- ④ Remove body side welts.
- ⑤ Remove front pillar garnishes.
- ⑥ Remove seat belt upper guide loop. Refer to "SEAT BELT" in RS section.
- ⑦ Remove upper rear garnishes.

# INTERIOR TRIM

## Side and Floor Trim (Cont'd)

SEC. 745 • 769 • 799

King Cab shown Standard Cab similar

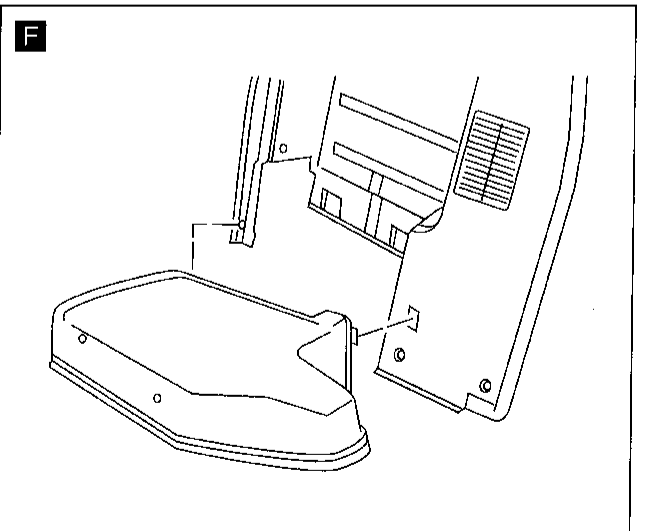
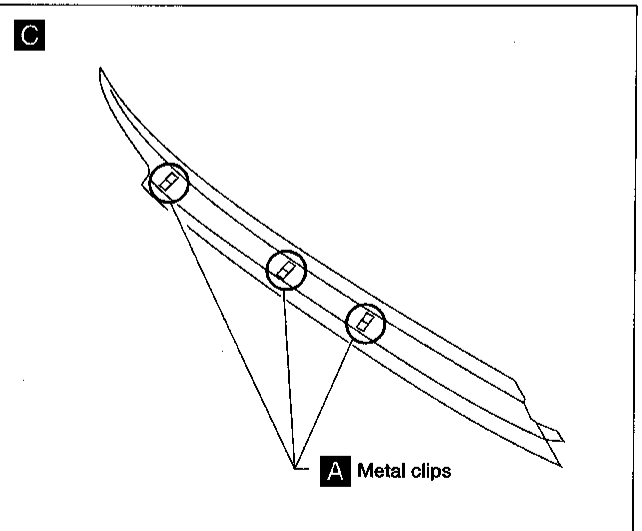
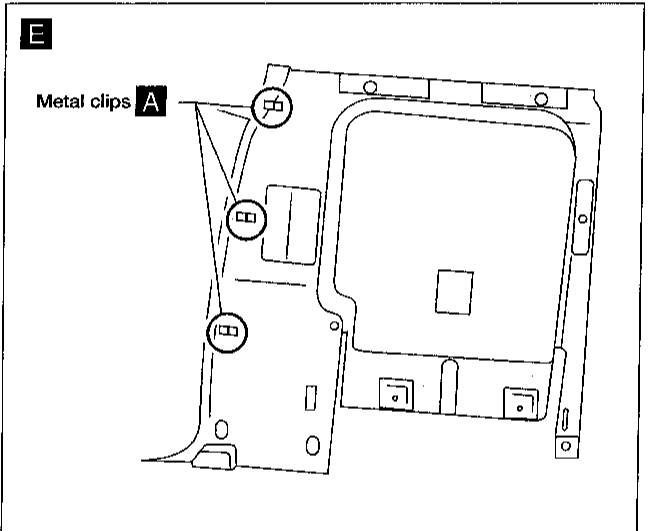
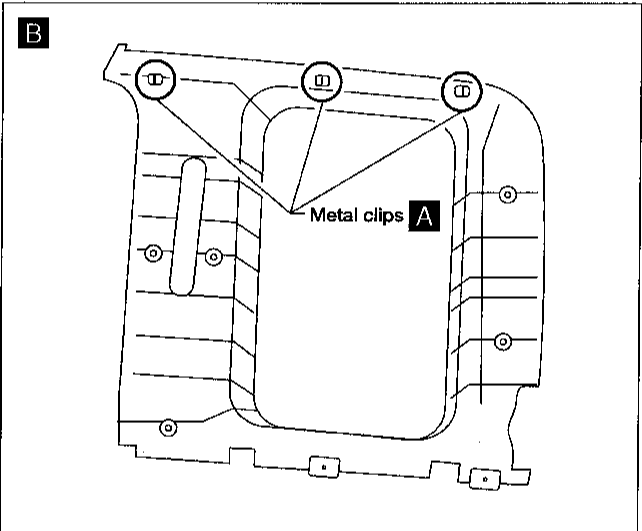
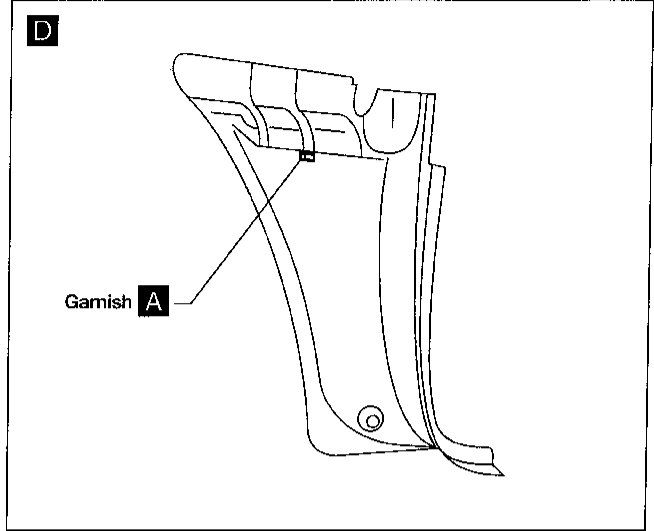
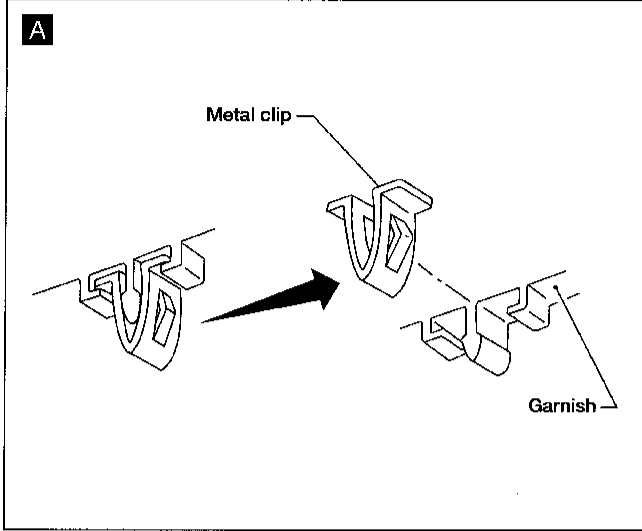


- GI
- MA
- EM
- LC
- EC
- FE
- CL
- MT
- AT
- TF
- PD
- FA
- RA
- BR
- ST
- RS
- BT**
- HA
- EL
- IDX

# INTERIOR TRIM

## Side and Floor Trim (Cont'd)

King Cab shown Standard Cab similar





# INTERIOR TRIM

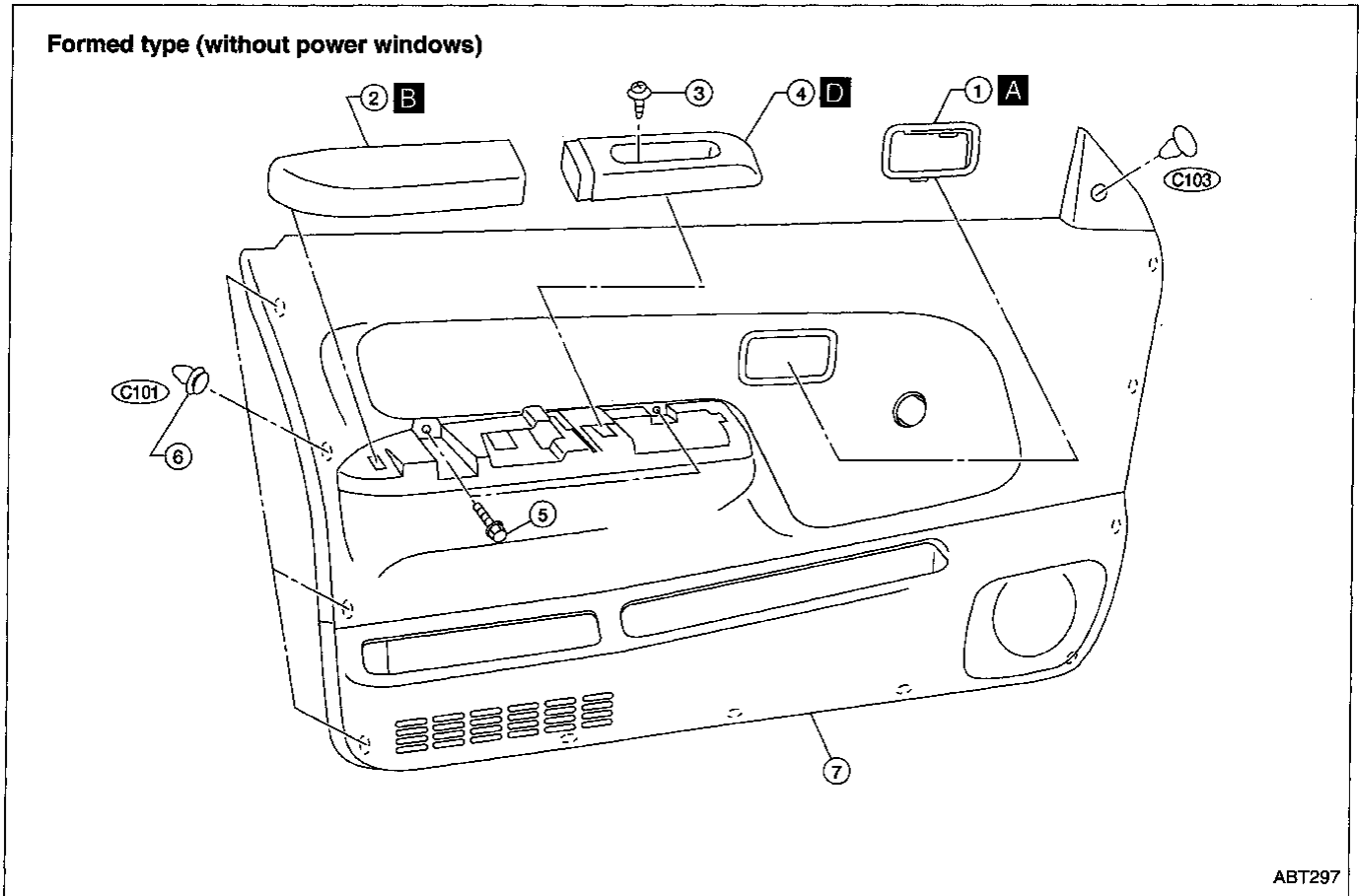
## Door Trim

### REMOVAL

#### Door trim (Formed type)

Remove manual window regulator handle, if equipped.

- ① Remove inside handle escutcheon. **A**
- ② Remove door armrest. **B**
- ③ Remove screw securing door pull handle.
- ④ Remove power window switch, then disconnect the connector. **C D**
- ⑤ Remove two screws.
- ⑥ Remove clips securing door finisher.
- ⑦ Lift out door finisher.



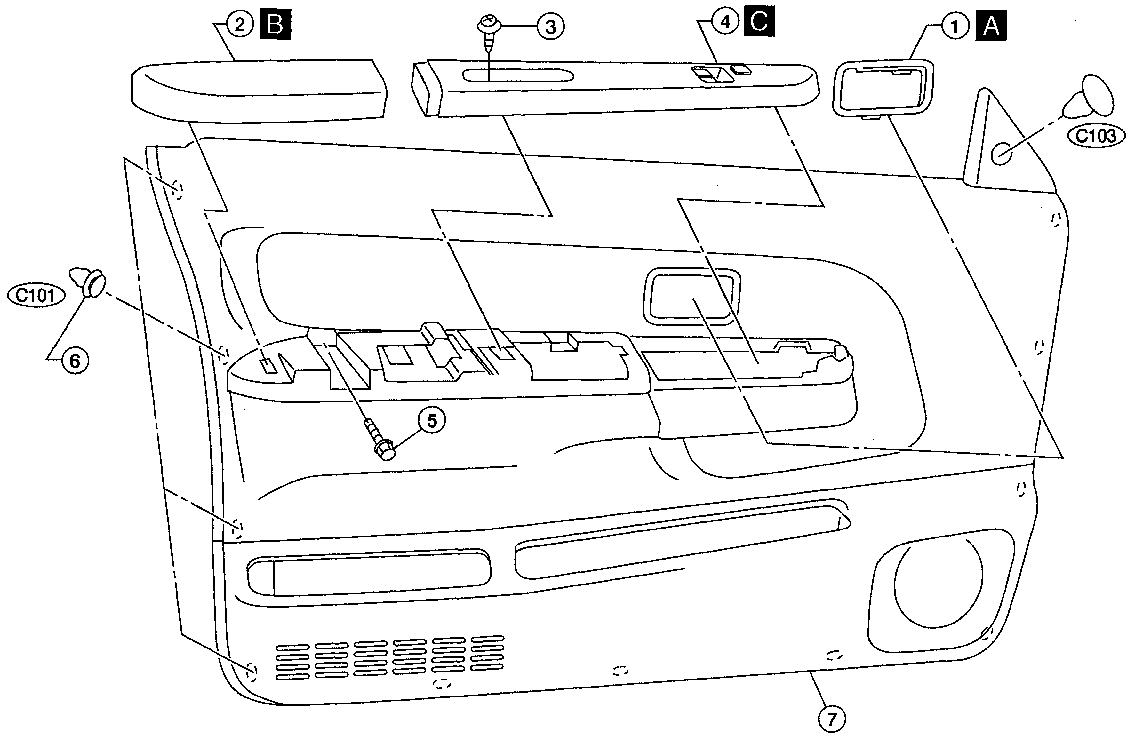
ABT297

GI  
MA  
EM  
LC  
EC  
FE  
CL  
MT  
AT  
TF  
PD  
FA  
RA  
BR  
ST  
RS  
BT  
HA  
EL  
IDX

# INTERIOR TRIM

## Door Trim (Cont'd)

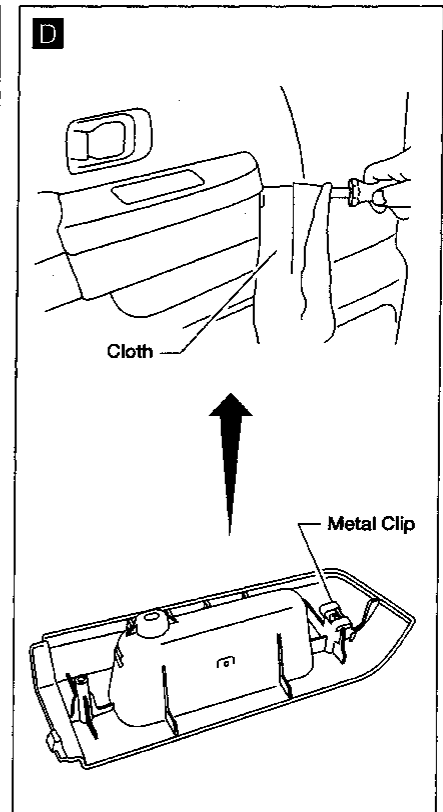
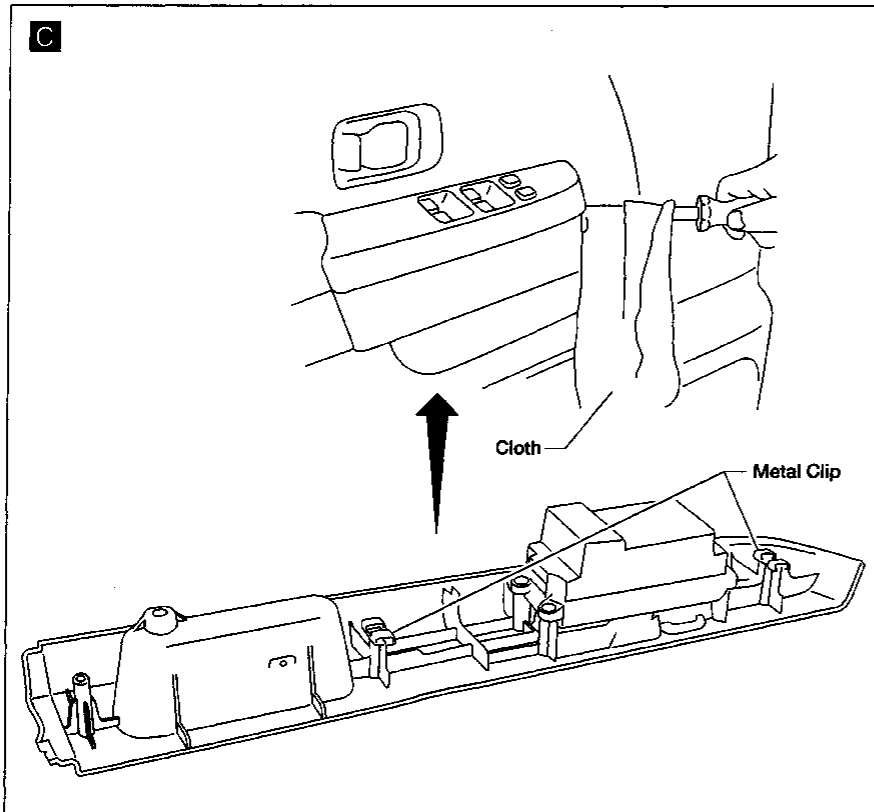
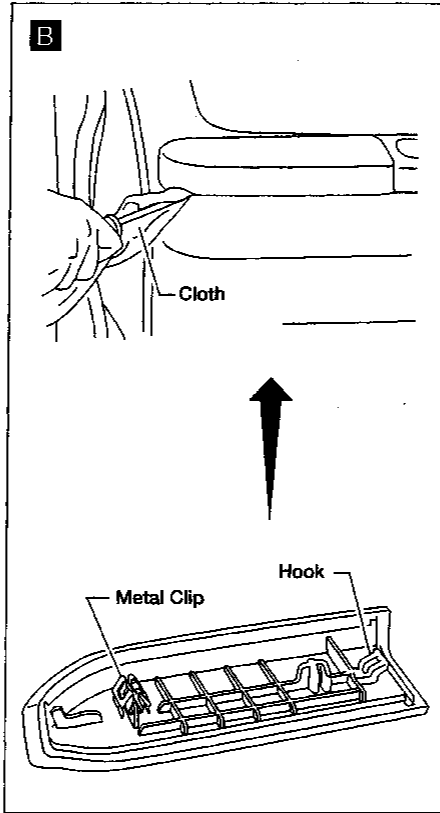
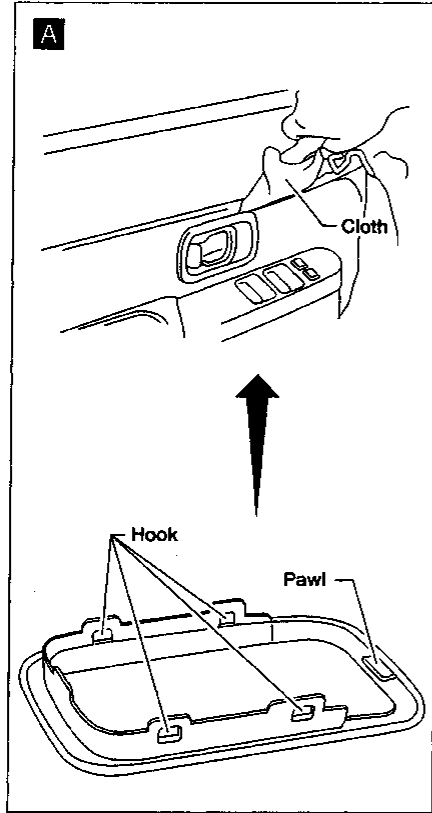
Formed type (with power windows)



ABT298

# INTERIOR TRIM

## Door Trim (Cont'd)



GI  
MA  
EM  
LC  
EC  
FE  
CL  
MT  
AT  
TF  
PD  
FA  
RA  
BR  
ST  
RS  
**BT**  
HA  
EL  
IDX

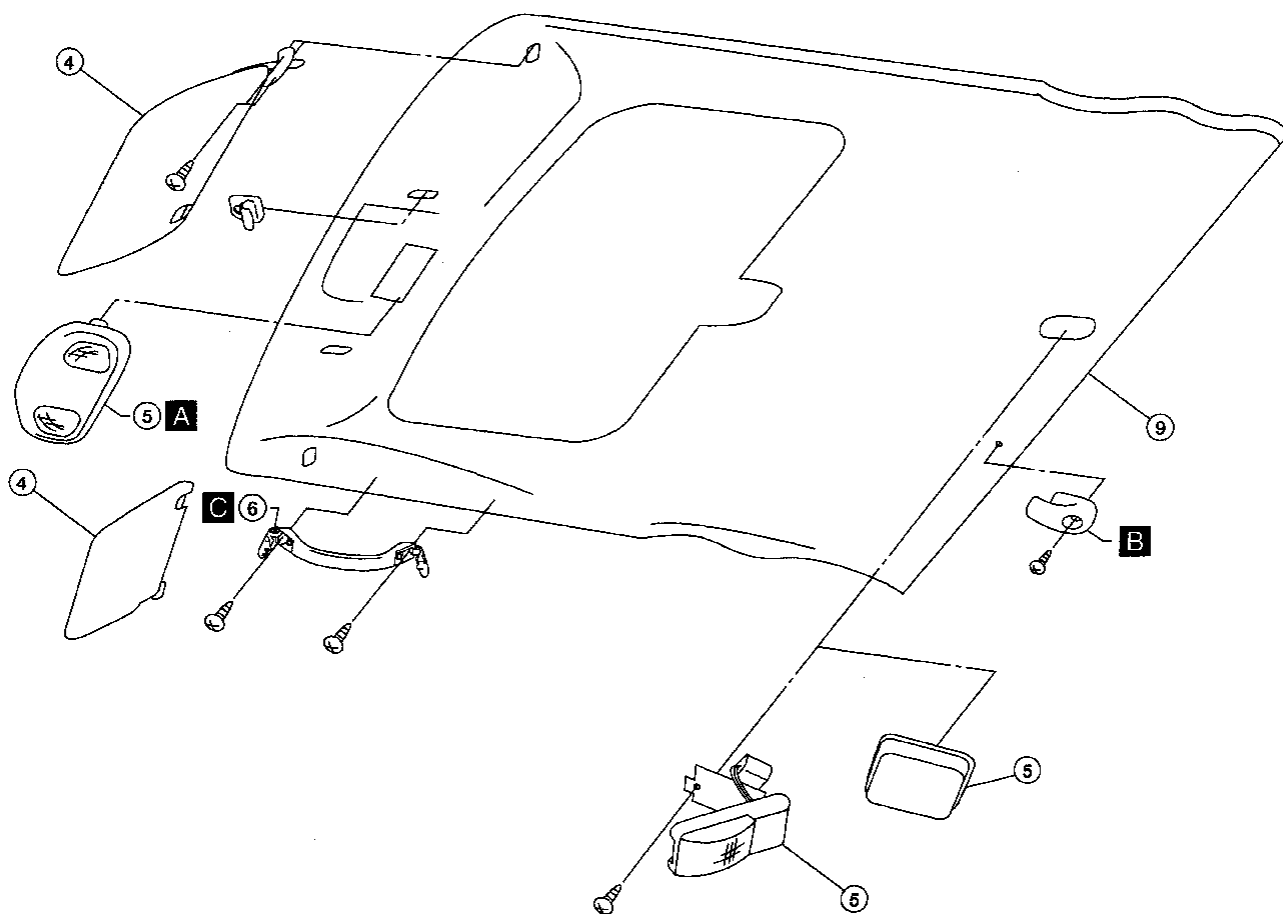
# INTERIOR TRIM

## Roof Trim

### REMOVAL — Headlining

- ① Remove front and jump seats if equipped. Refer to "SEAT" for details, BT-26, 29.
- ② Remove front seat belt. Refer to "SEAT BELTS" in RS section for details.
- ③ Remove body side trim. Refer to "Side and Floor Trim" for details, BT-14.
- ④ Remove sun visors.
- ⑤ Remove interior lamp assembly. **A**
- ⑥ Remove coat hook. **B**
- ⑦ Remove assist grip if equipped. **C**
- ⑧ Remove sunroof if equipped, refer to "SUNROOF" for details, BT-30.
- ⑨ Remove clips securing headlining.
- ⑩ Remove headlining.

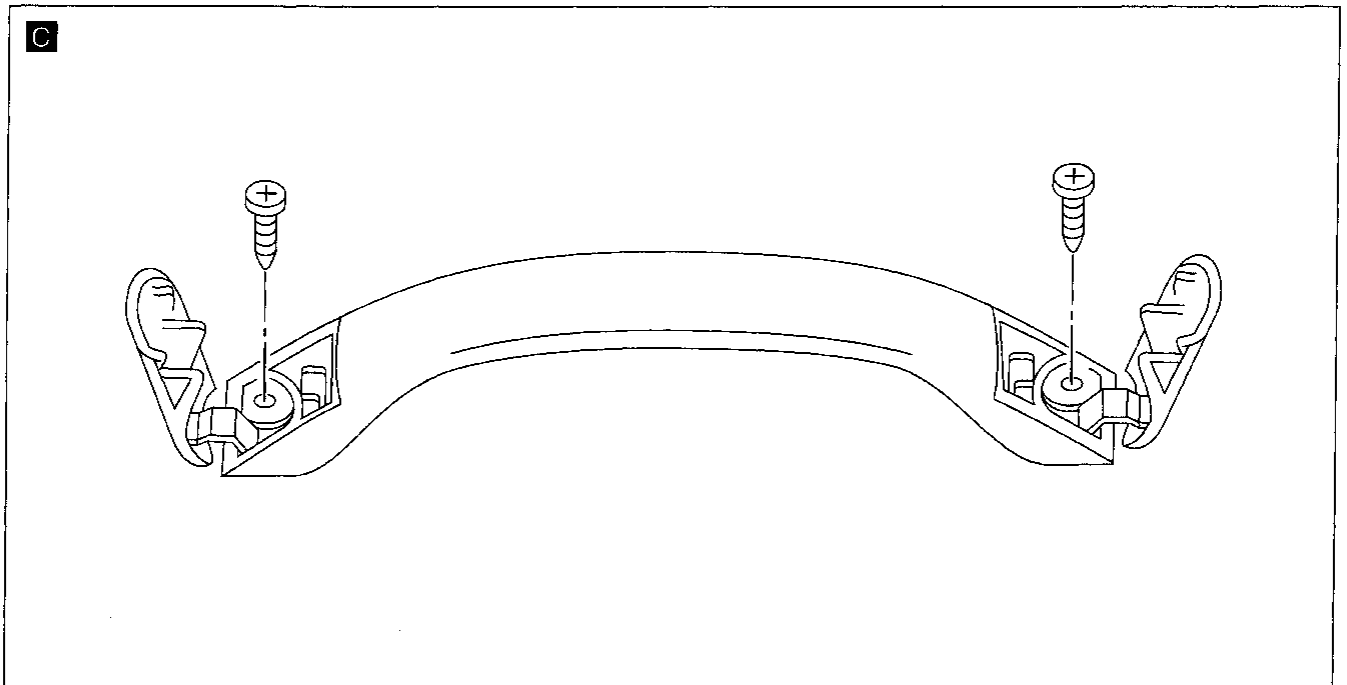
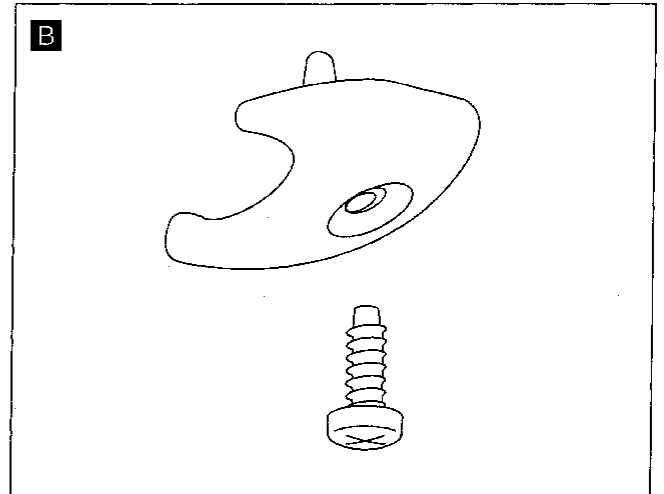
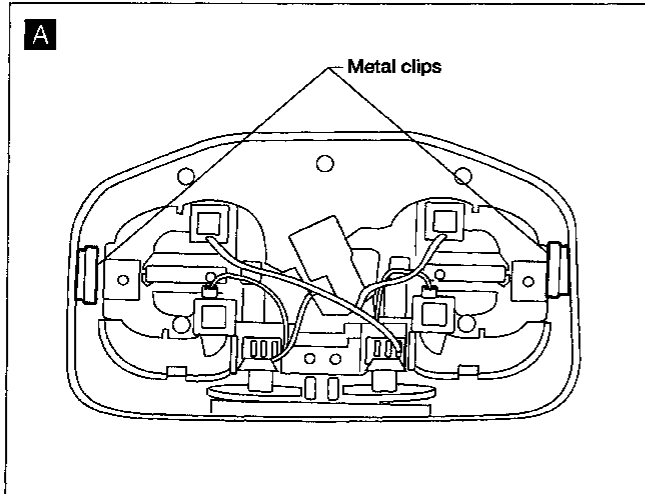
SEC. 264 • 738 • 964



ABT401

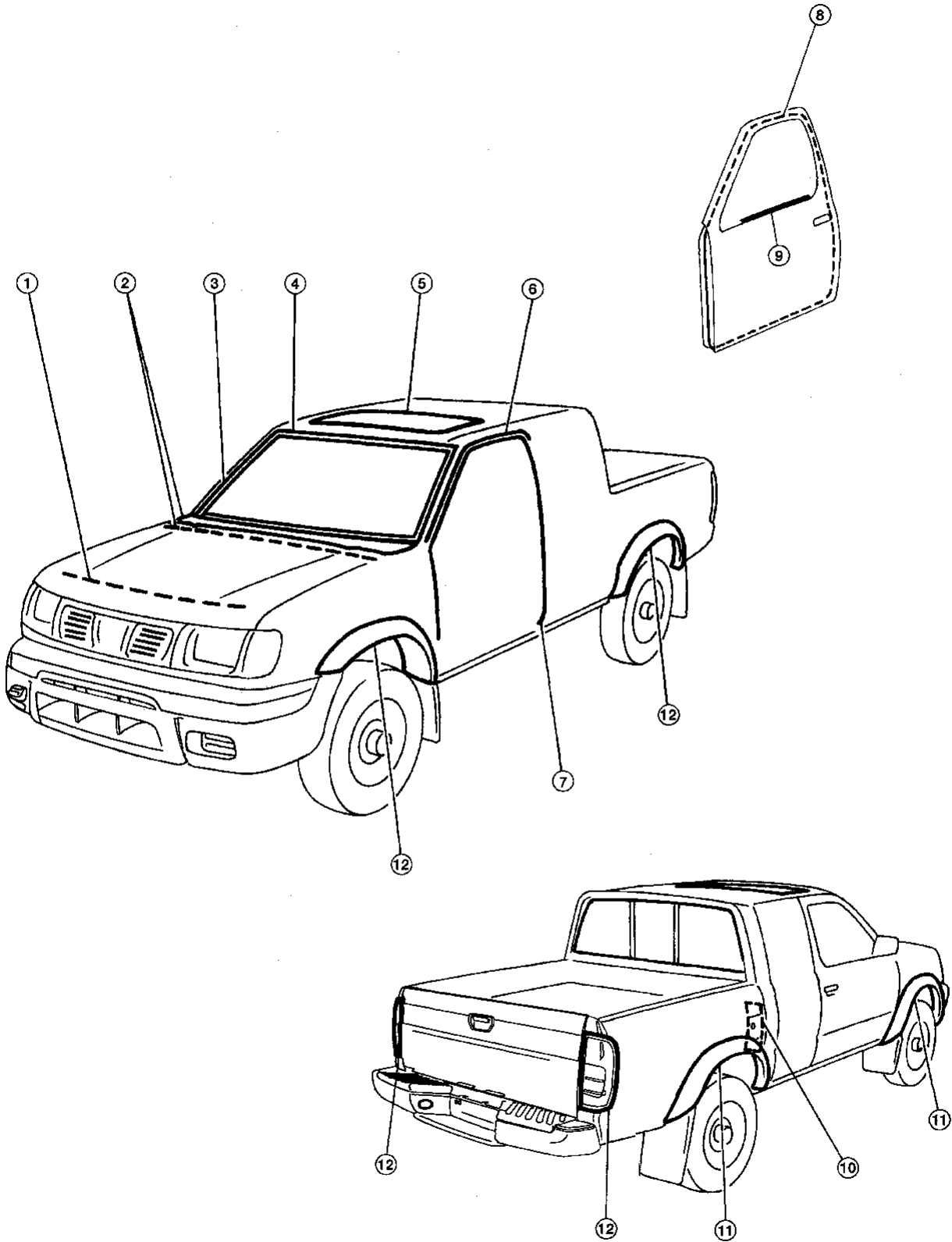
# INTERIOR TRIM

## Roof Trim (Cont'd)



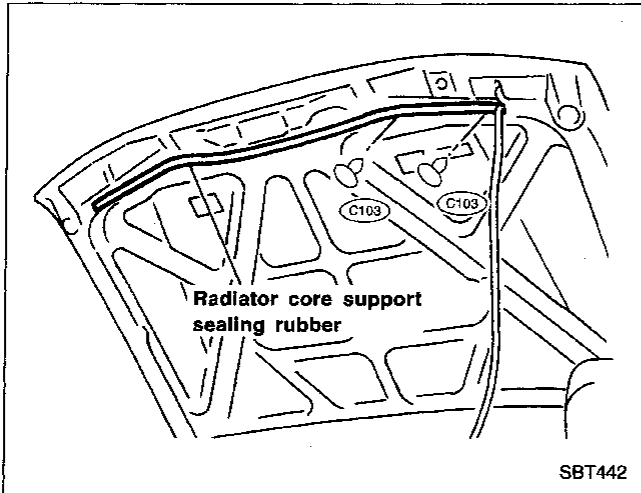
GI  
MA  
EM  
LC  
EC  
FE  
CL  
MT  
AT  
TF  
PD  
FA  
RA  
BR  
ST  
RS  
**BT**  
HA  
EL  
IDX

# EXTERIOR

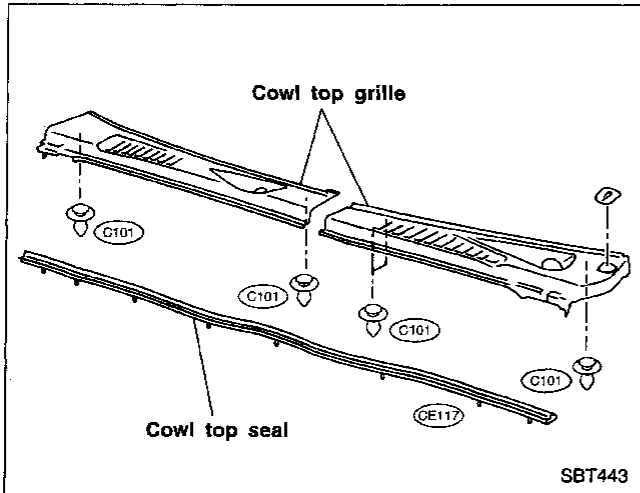


GI  
MA  
EM  
LC  
EC  
FE  
CL  
MT  
AT  
TF  
PD  
FA  
RA  
BR  
ST  
RS  
BT  
HA  
EL  
IDX

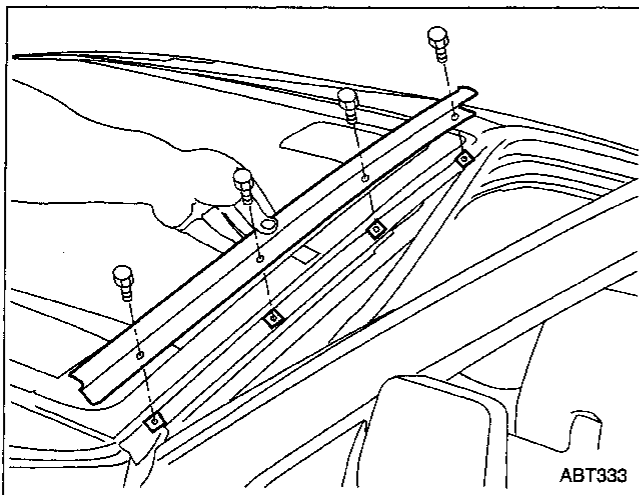
① Hood front sealing rubber



② Cowl top seal and cowl top grille



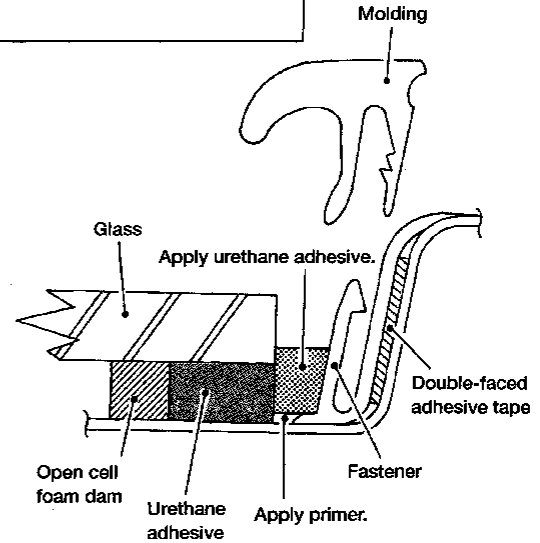
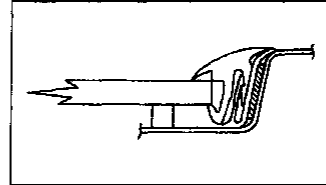
③ Windshield side molding



④ Windshield upper molding

SEC. 720

1. Cut off urethane adhesive at glass end.
2. Remove old urethane adhesive from panel surface.
3. Set molding fastener and apply primer to body panel, and apply urethane adhesive to body.

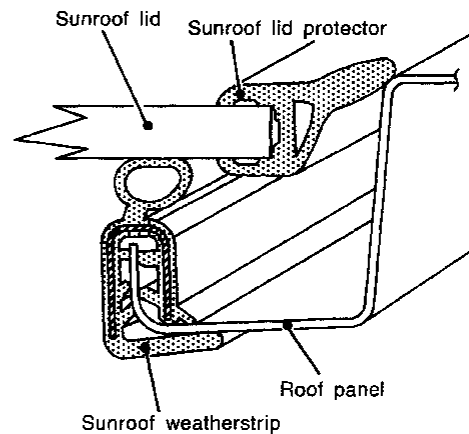


4. Install molding by aligning the molding mark located on center with vehicle center. Be sure to install tightly so that there is no gap around the corner.

ABT332

⑤ Sunroof weatherstrip and lid protector

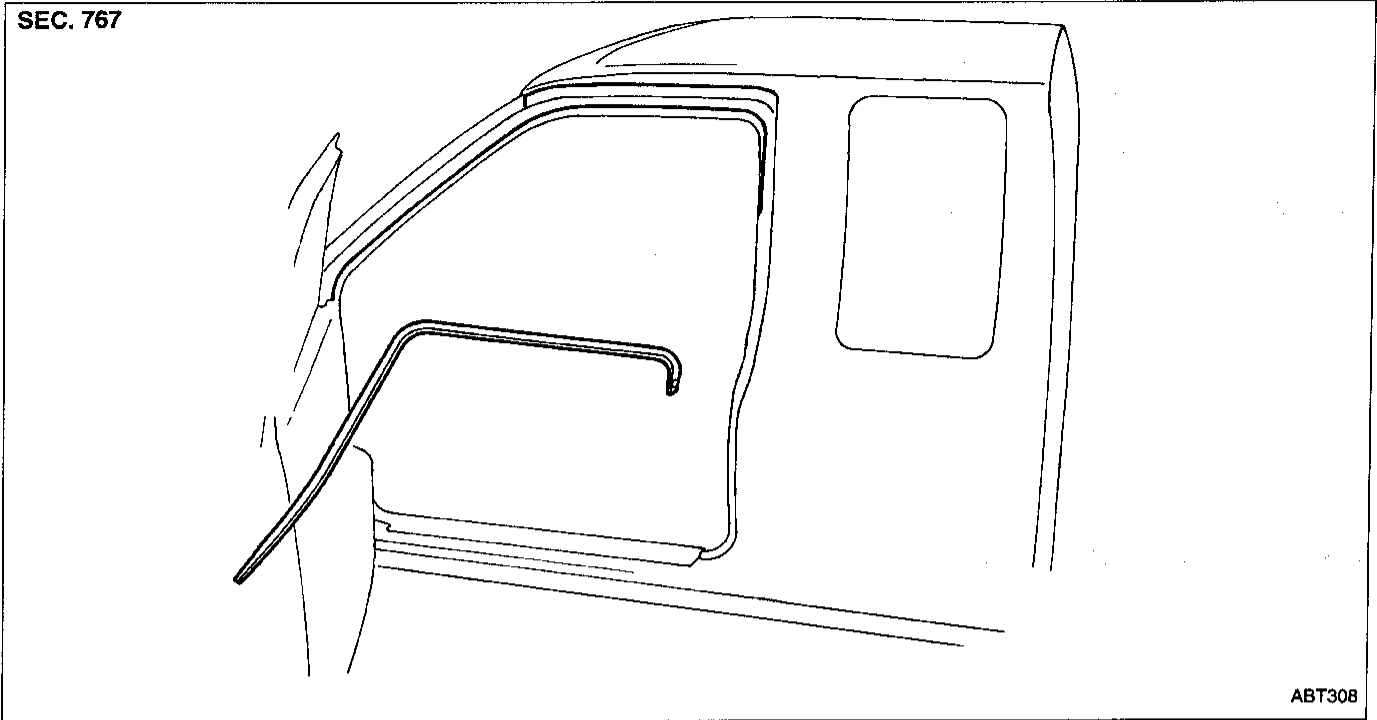
SEC. 736



SBT445

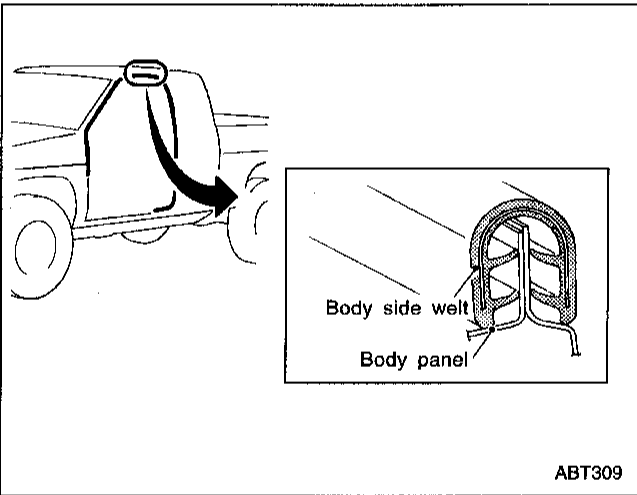
⑥ Drip weatherstrip

SEC. 767



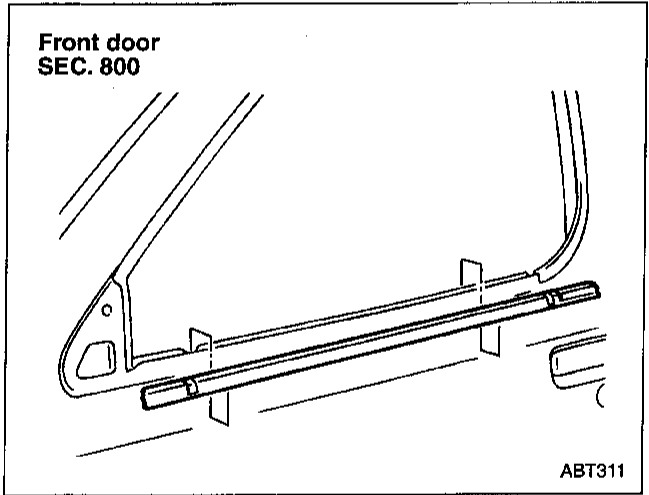
ABT308

⑦ Body side welt



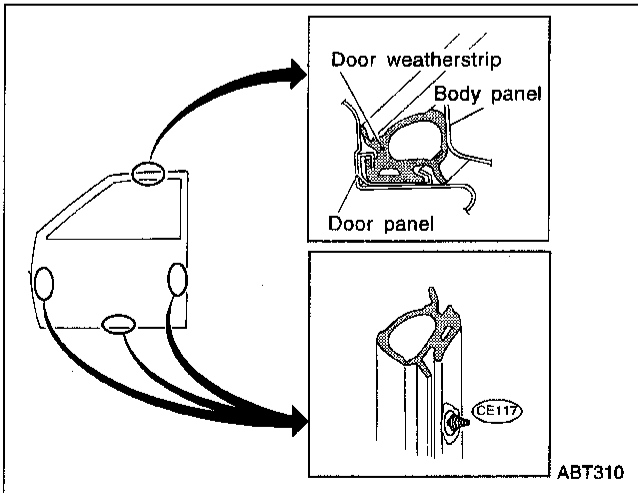
ABT309

⑨ Door outside molding



ABT311

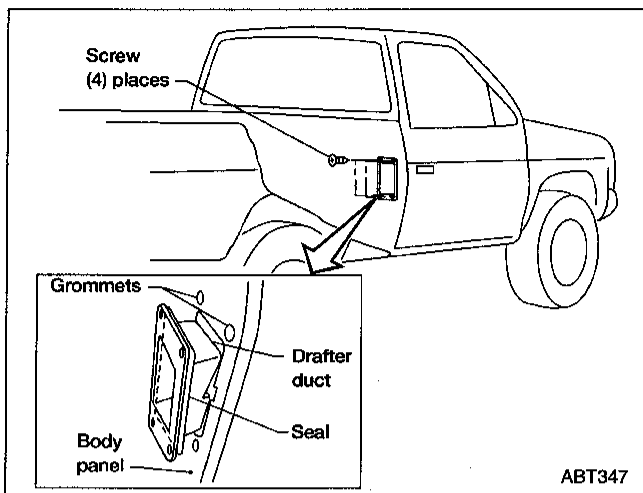
⑧ Door weatherstrip



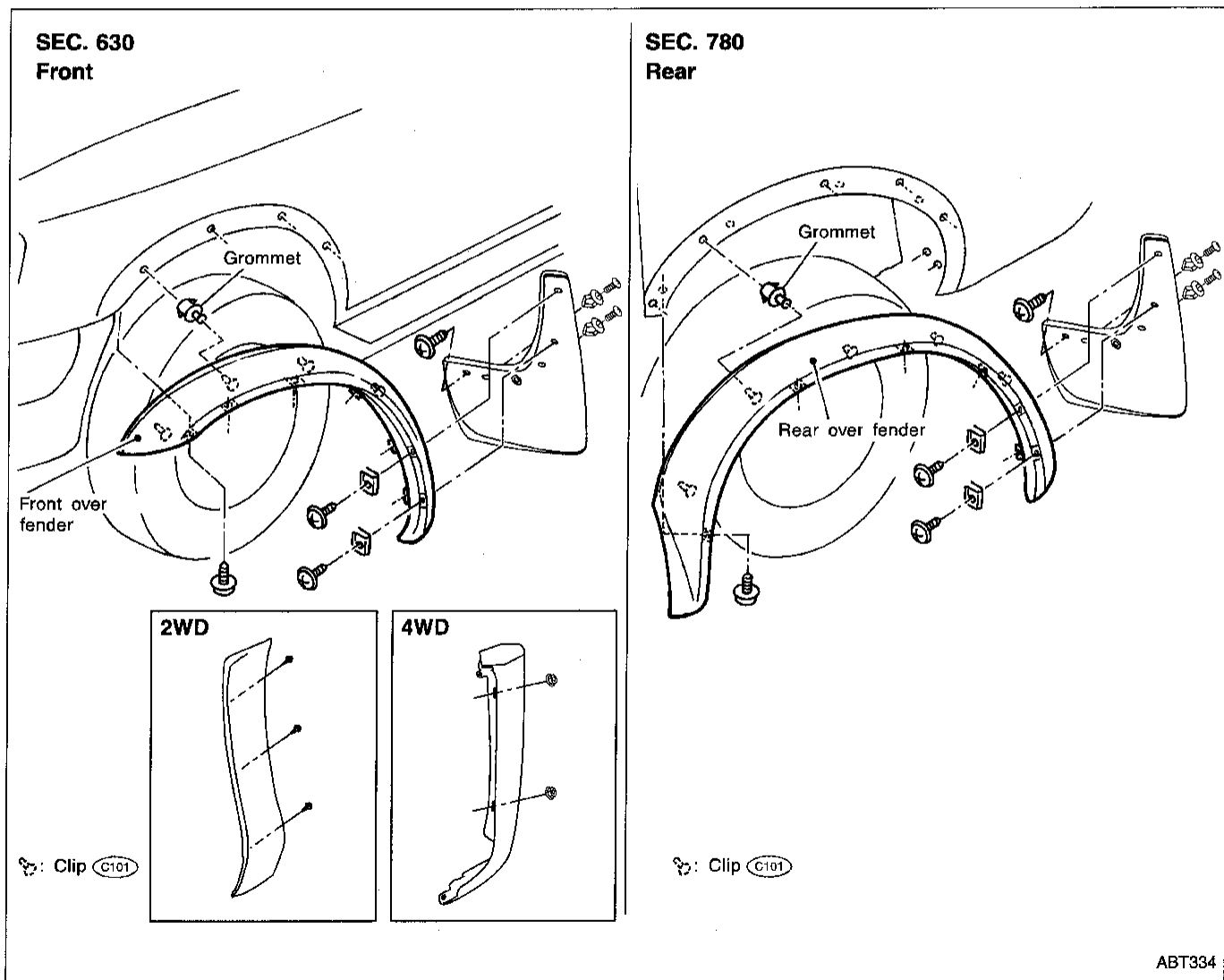
ABT310



⑩ Drafter duct



⑪ Over fender



⑫ Rear combination lamp

Mounted with bolts.

GI

MA

EM

LC

EC

FE

CL

MT

AT

TF

PD

FA

RA

BR

ST

RS

**BT**

HA

EL

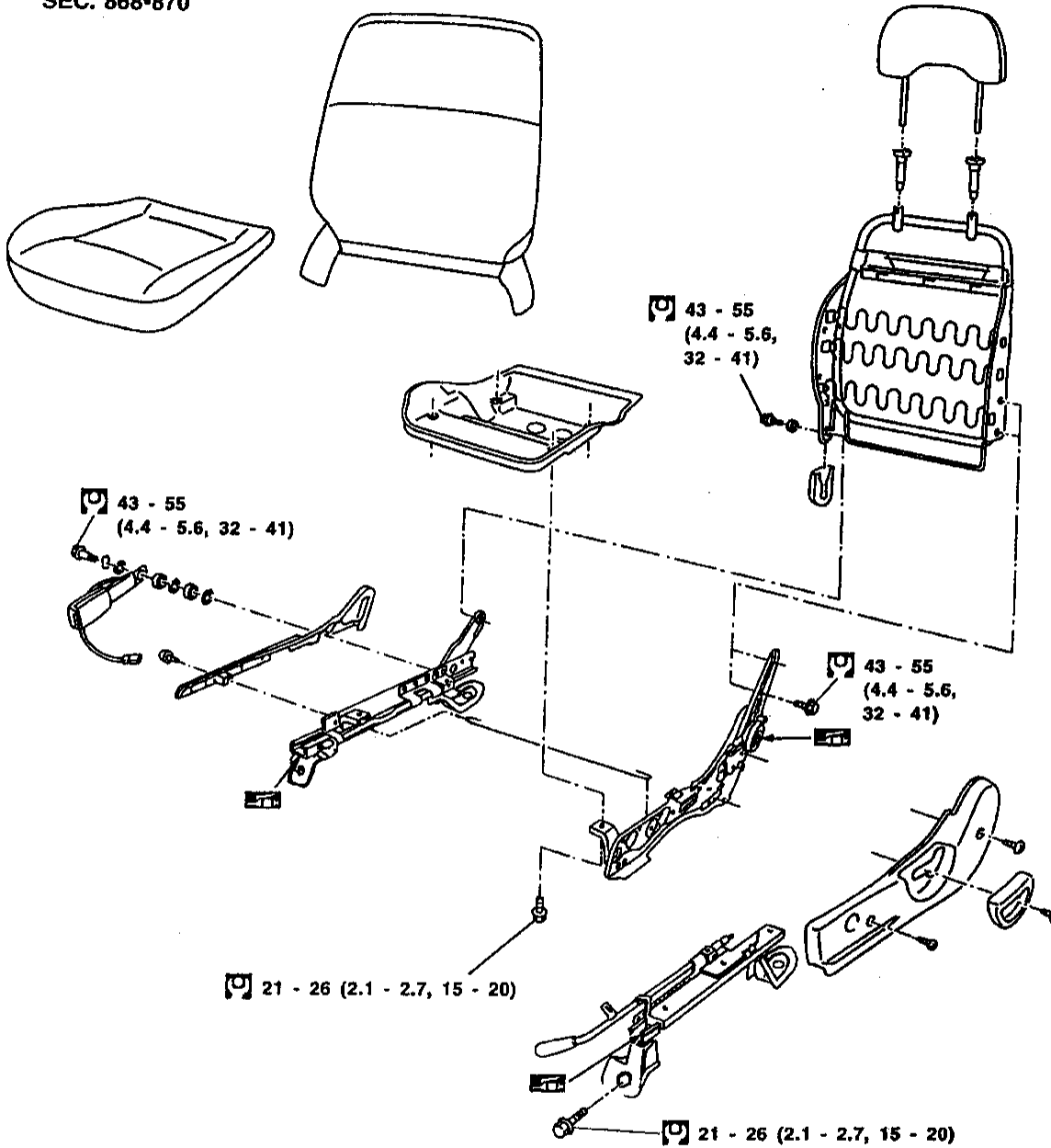
IDX

# SEAT

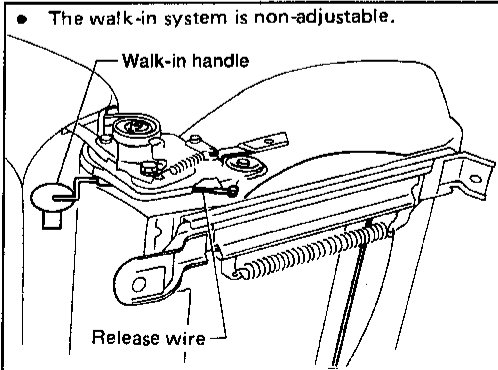
- When removing and installing the seat trim, carefully handle it to keep dirt out and avoid damage.

## Front Seat

SEC. 868-870



### Walk-in mechanism

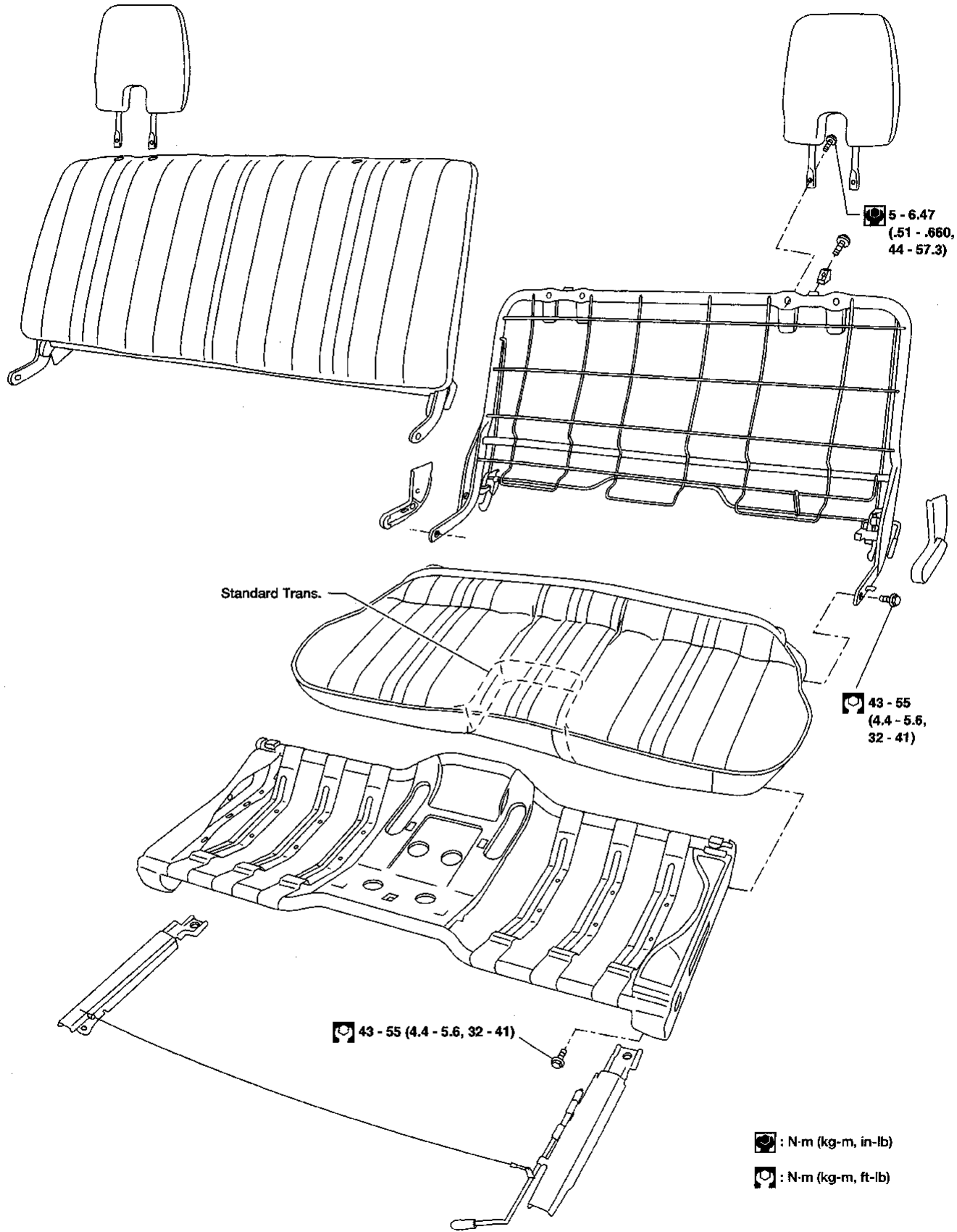


- : N·m (kg·m, ft·lb)
- : Grease-up point  
(Do not apply too much grease as it will drip.)

ABT324

# SEAT

## Front Seat (Cont'd)

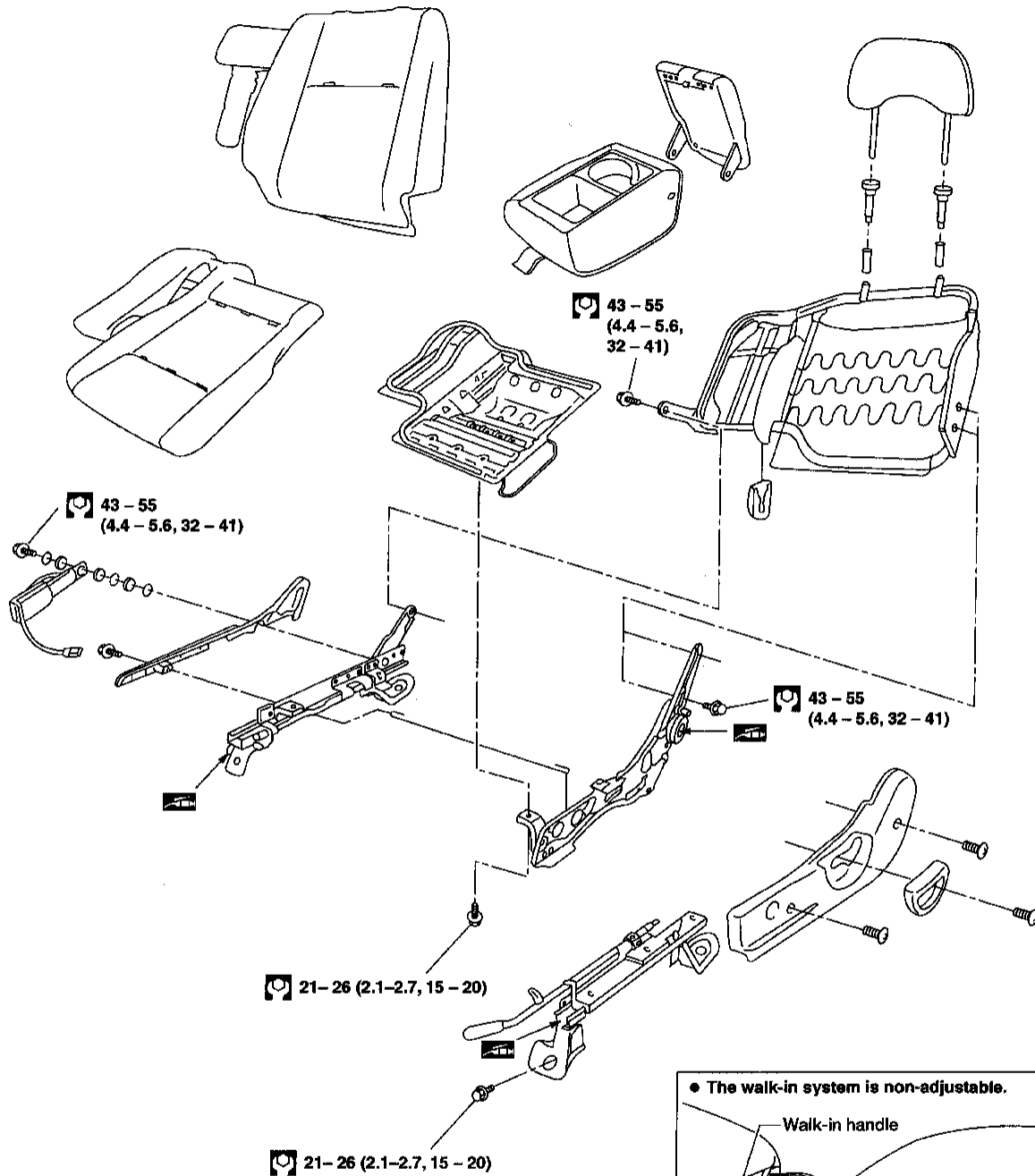


GI  
MA  
EM  
LC  
EC  
FE  
CL  
MT  
AT  
TF  
PD  
FA  
RA  
BR  
ST  
RS  
**BT**  
HA  
EL  
IDX

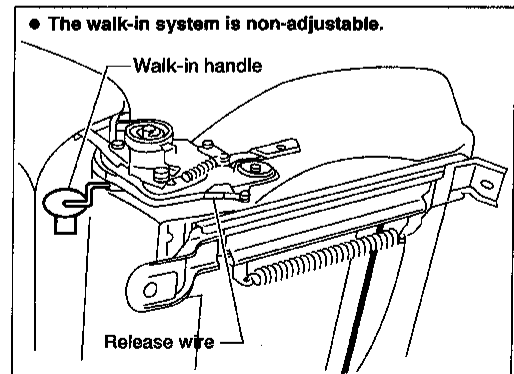
# SEAT

## Front Seat (Cont'd)

SEC. 868 • 870



: N·m (kg·m, ft·lb)  
 : Grease-up point  
 (Do not apply too much grease as it will drip.)

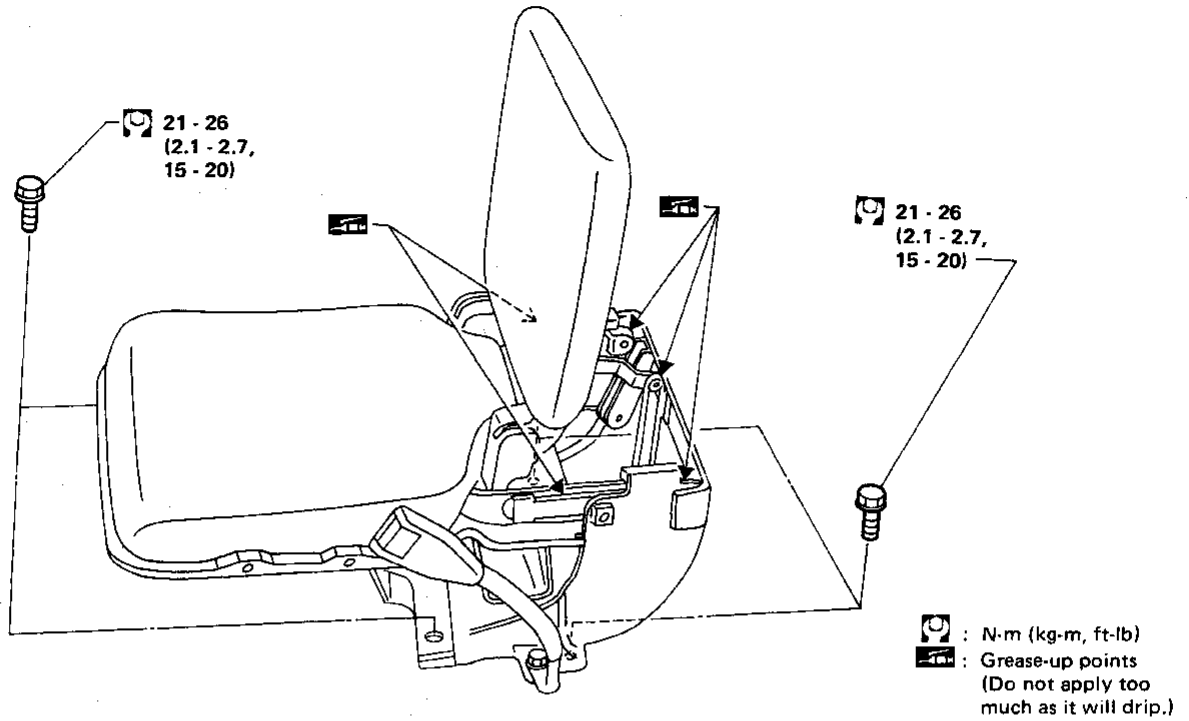


ABT422

# SEAT

## Jump Seat — King Cab Model

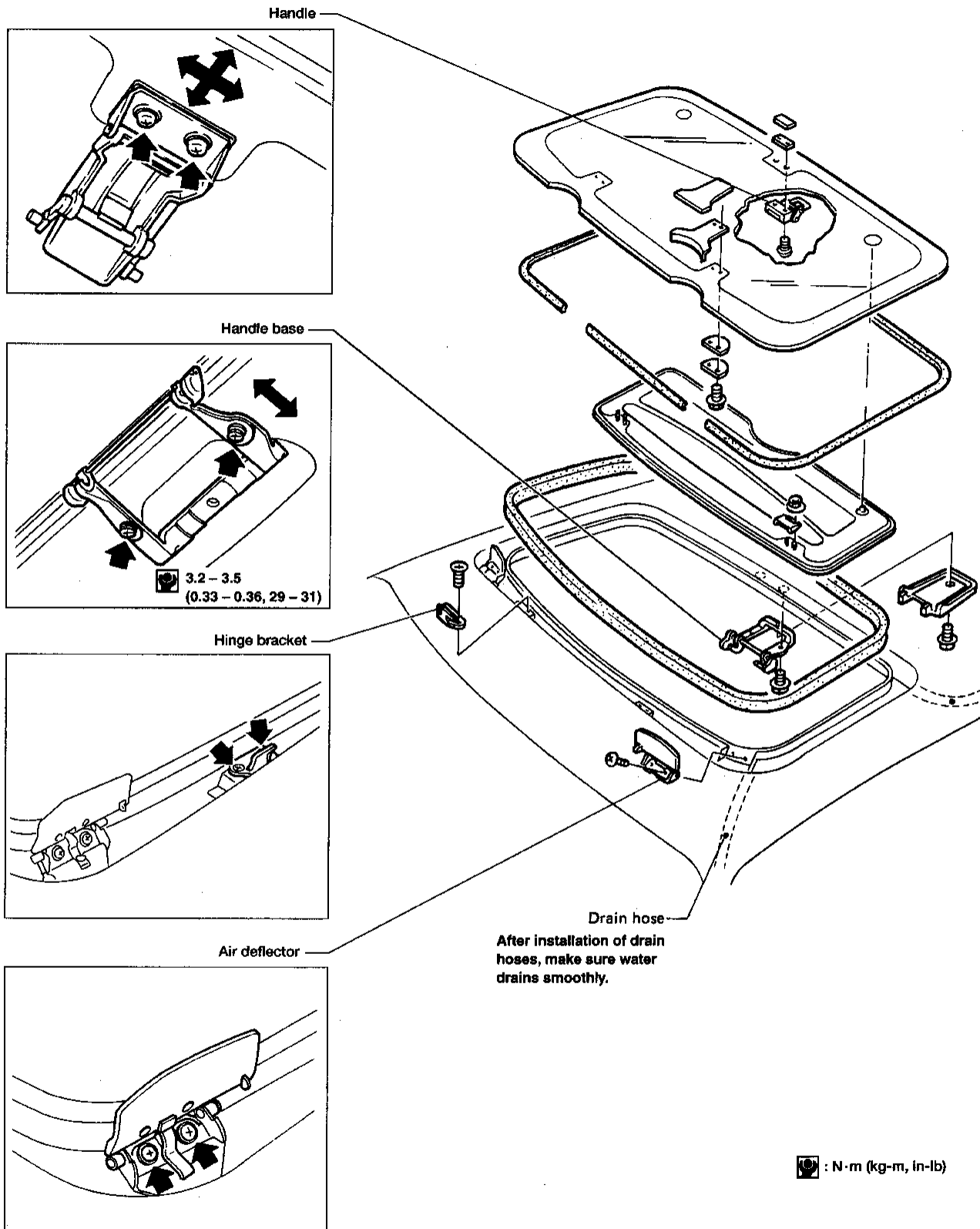
SEC. 880



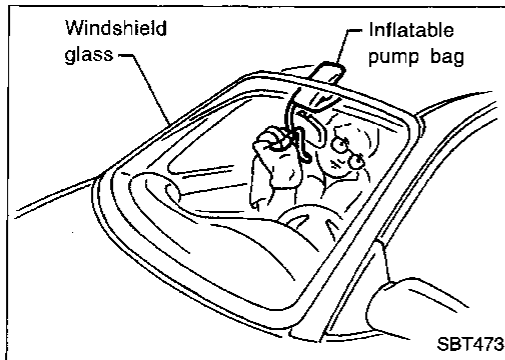
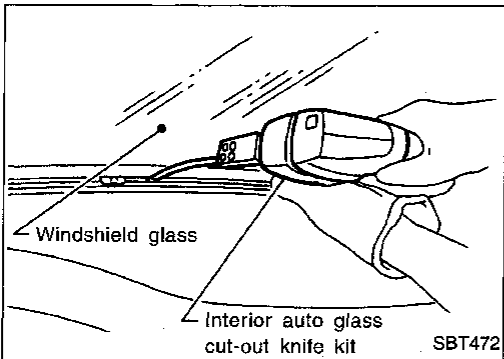
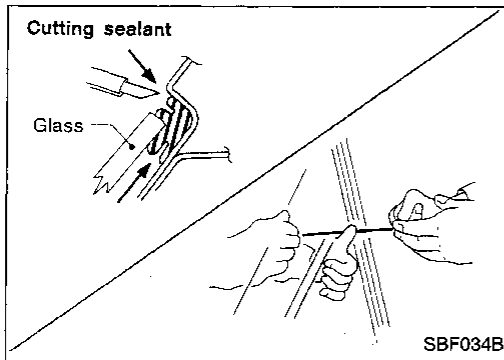
GI  
MA  
EM  
LC  
EC  
FE  
CL  
MT  
AT  
TF  
PD  
FA  
RA  
BR  
ST  
RS  
BT  
HA  
EL  
IDX

# SUNROOF

## SEC. 736



# WINDSHIELD AND WINDOWS



## REMOVAL

After removing moldings, remove glass using piano wire or power cutting tool and an inflatable pump bag.

### WARNING:

When cutting the glass from the vehicle, always wear safety glasses and heavy gloves to help prevent glass splinters from entering your eyes or cutting your hands.

### CAUTION:

- Be careful not to scratch the glass when removing.
- Do not set or stand the glass on its edge. Small chips may develop into cracks.

## INSTALLATION

- Use genuine Nissan Urethane Adhesive Kit or equivalent and follow the instructions furnished with it.
- While the urethane adhesive is curing, open a door window. This will prevent the glass from being forced out by passenger compartment air pressure when a door is closed.
- The molding must be installed securely so that it is in position and leaves no gap.
- Inform the customer that the vehicle should remain stationary until the urethane adhesive has completely cured (preferably 24 hours). Curing time varies with temperature and humidity.

### WARNING:

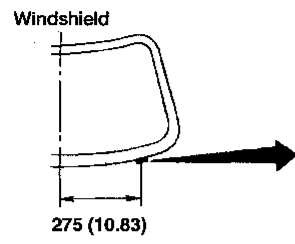
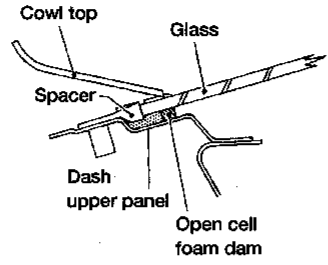
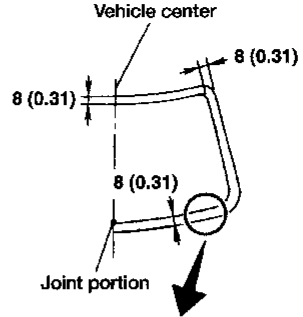
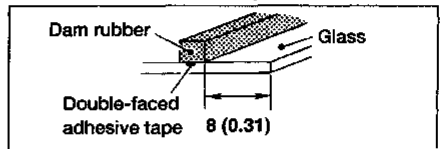

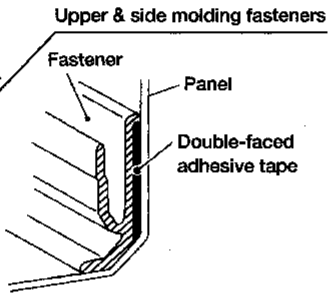
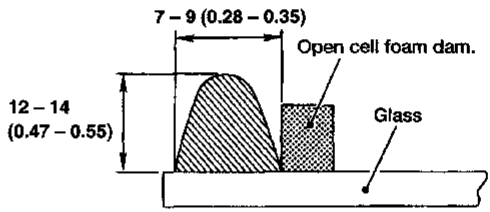
- Keep heat and open flames away as primers and adhesive are flammable.
- The materials contained in the kit are harmful if swallowed, and may irritate skin and eyes. Avoid contact with the skin and eyes.
- Use in an open, well ventilated location. Avoid breathing the vapors. They can be harmful if inhaled. If affected by vapor inhalation, immediately move to an area with fresh air.
- Driving the vehicle before the urethane adhesive has completely cured may affect the performance of the windshield in case of an accident.

### CAUTION:

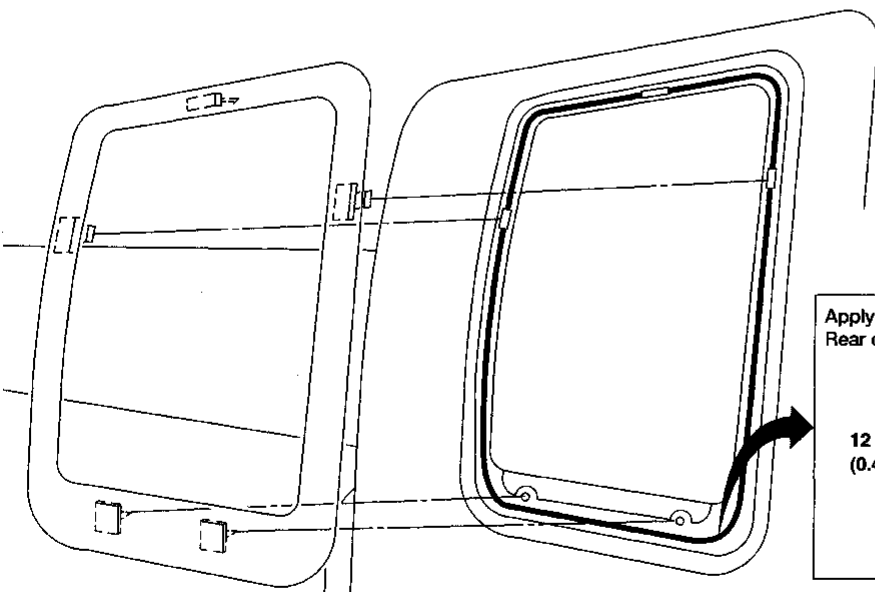
- Do not use an adhesive which is past its usable term. Shelf life of this product is limited to six months after the date of manufacture. Carefully adhere to the expiration or manufacture date printed on the box.
- Keep primers and adhesive in a cool, dry place. Ideally, they should be stored in a refrigerator.
- Do not leave primers or adhesive cartridge unattended with their caps open or off.
- The vehicle should not be driven for at least 24 hours or until the urethane adhesive has completely cured. Curing time varies depending on temperature and humidities. The curing time will increase under higher temperatures and lower humidities.

# WINDSHIELD AND WINDOWS

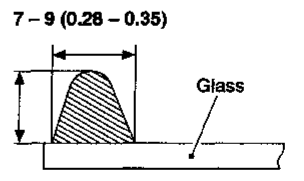
## Windshield

<p><b>Body side</b> Install spacer to panel.</p> 		<p><b>Glass side</b> Install open cell foam dam. Windshield</p>  
<p><b>Install molding fastener.</b> When installing it, heat body panel and fastener to approx. 30 to 40°C (86 to 104°F).</p> 	<p>Upper &amp; side molding fasteners</p> 	<p><b>Apply urethane adhesive evenly.</b> Windshield and rear window</p>  <p style="text-align: right;">Unit: mm (in)      ABT331</p>

## Side Window



**Apply urethane adhesive.**  
Rear quarter window.



Unit: mm (in)

ABT345

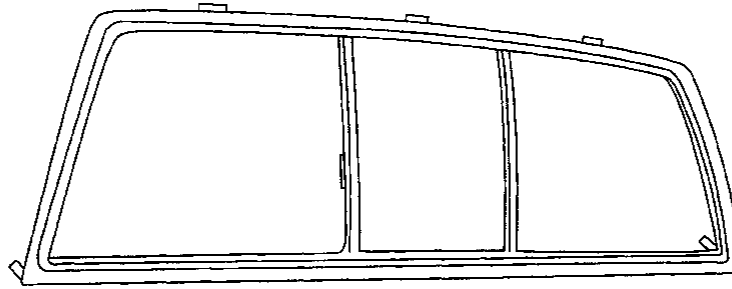


# WINDSHIELD AND WINDOWS

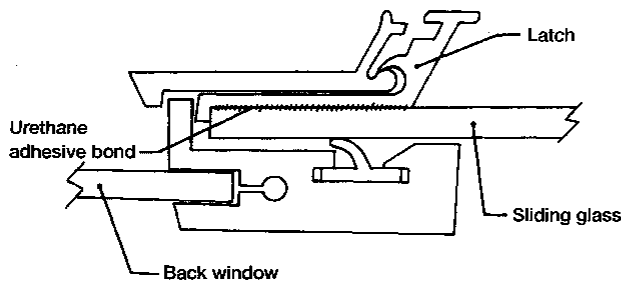
## Back Window

- Window glass is held in place by urethane adhesive.

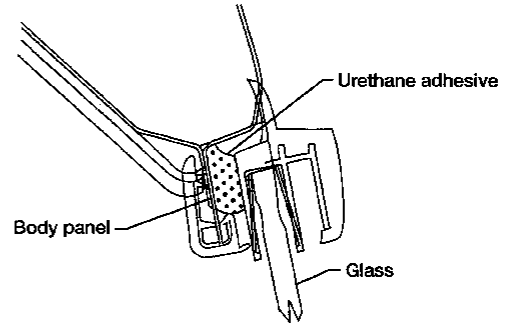
SEC. 797



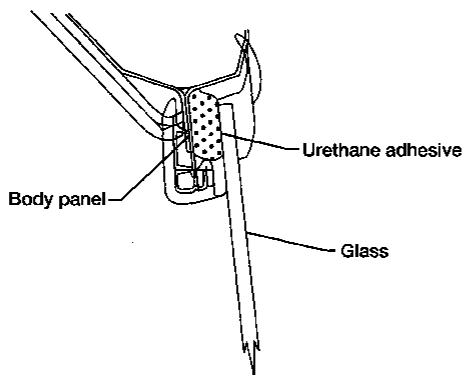
Latch



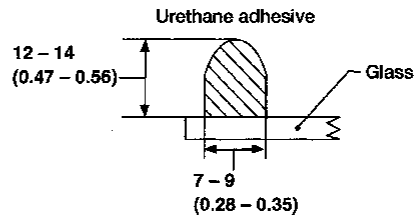
Sliding glass



Fixed glass



Apply urethane adhesive evenly.



Unit: mm (in)

ABT335

## REPAIRING WATER LEAKS FOR WINDSHIELD, SIDE WINDOW AND BACK WINDOW

Leaks can be repaired without removing and reinstalling glass.

If water is leaking between urethane adhesive material and body or glass, determine the extent of leakage. This can be done by applying water to the windshield or side window area while pushing glass outward.

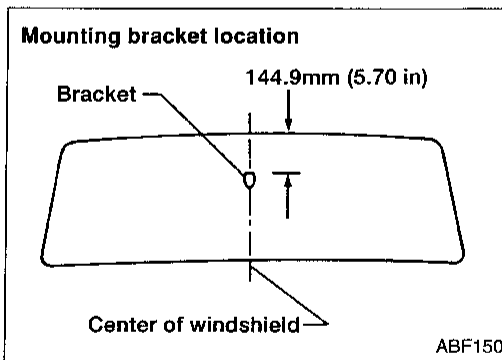
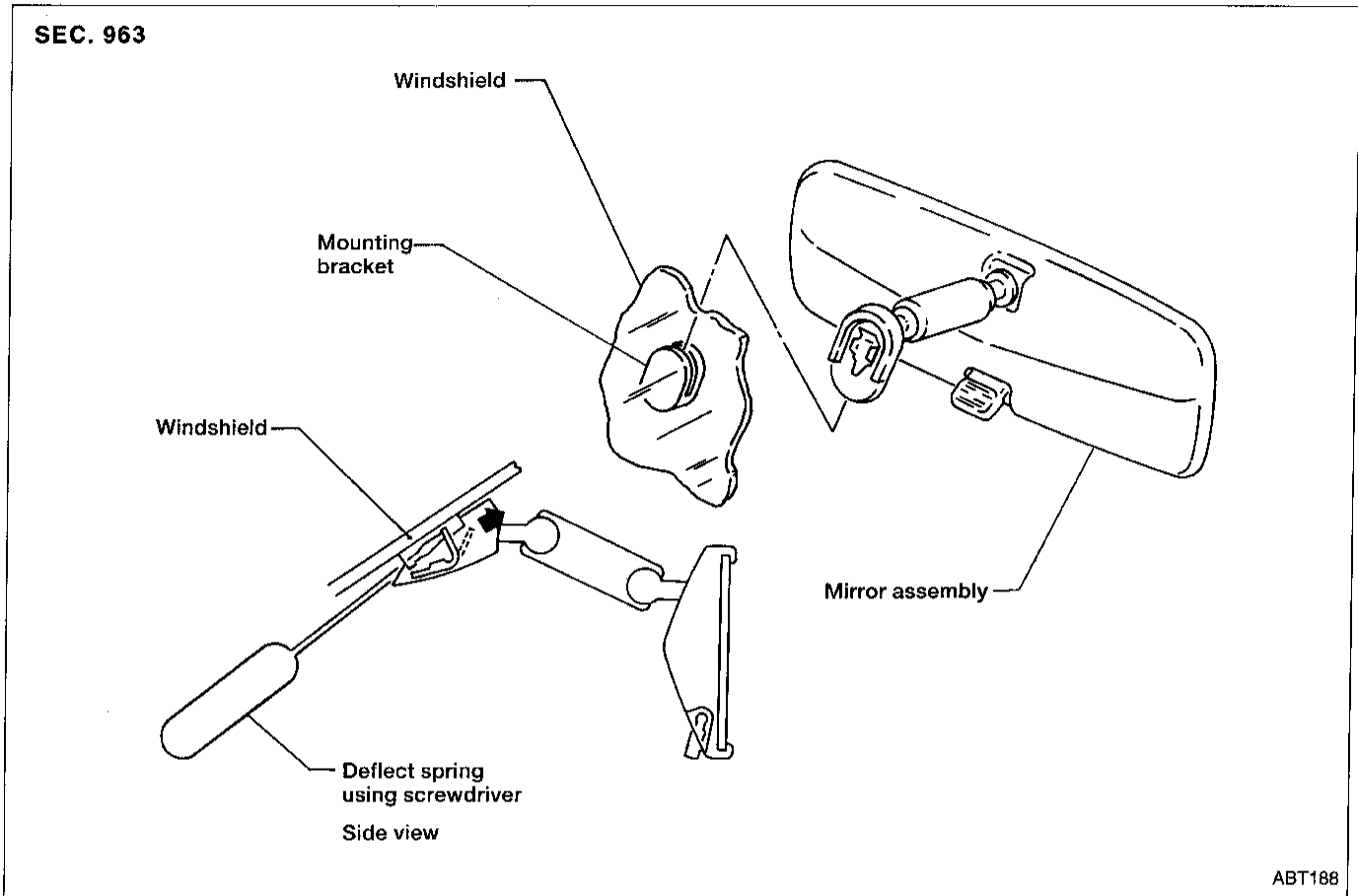
To stop the leak, apply primer (if necessary) and then urethane adhesive to the leak point.

GI  
MA  
EM  
LC  
EC  
FE  
CL  
MT  
AT  
TF  
PD  
FA  
RA  
BR  
ST  
RS  
BT  
HA  
EL  
IDX

## Rearview Mirror

### REMOVAL

Remove rearview mirror by deflecting spring with screwdriver as shown in the figure.



### INSTALLATION

1. Install mounting bracket as follows:
  - a. Determine mounting bracket position on windshield by measuring from top of windshield to top of mounting bracket as shown in the figure.
  - b. Mark location on outside of windshield with wax pencil or equivalent.
  - c. Clean attaching point on inside of windshield with an alcohol-saturated paper towel.
  - d. Sand bonding surface of mounting bracket with sandpaper (No. 320 or No. 360).
  - e. Clean bonding surface of mounting bracket with an alcohol-saturated paper towel.
  - f. Apply Loctite Adhesive 11067-2 or equivalent to bonding surface of mounting bracket.
  - g. Install mounting bracket at premarked position and press mounting bracket against glass for 30 to 60 seconds.
  - h. After five minutes, wipe off excess adhesive with an alcohol-moistened paper towel.
2. Install rearview mirror.

# MIRROR

## CAUTION:

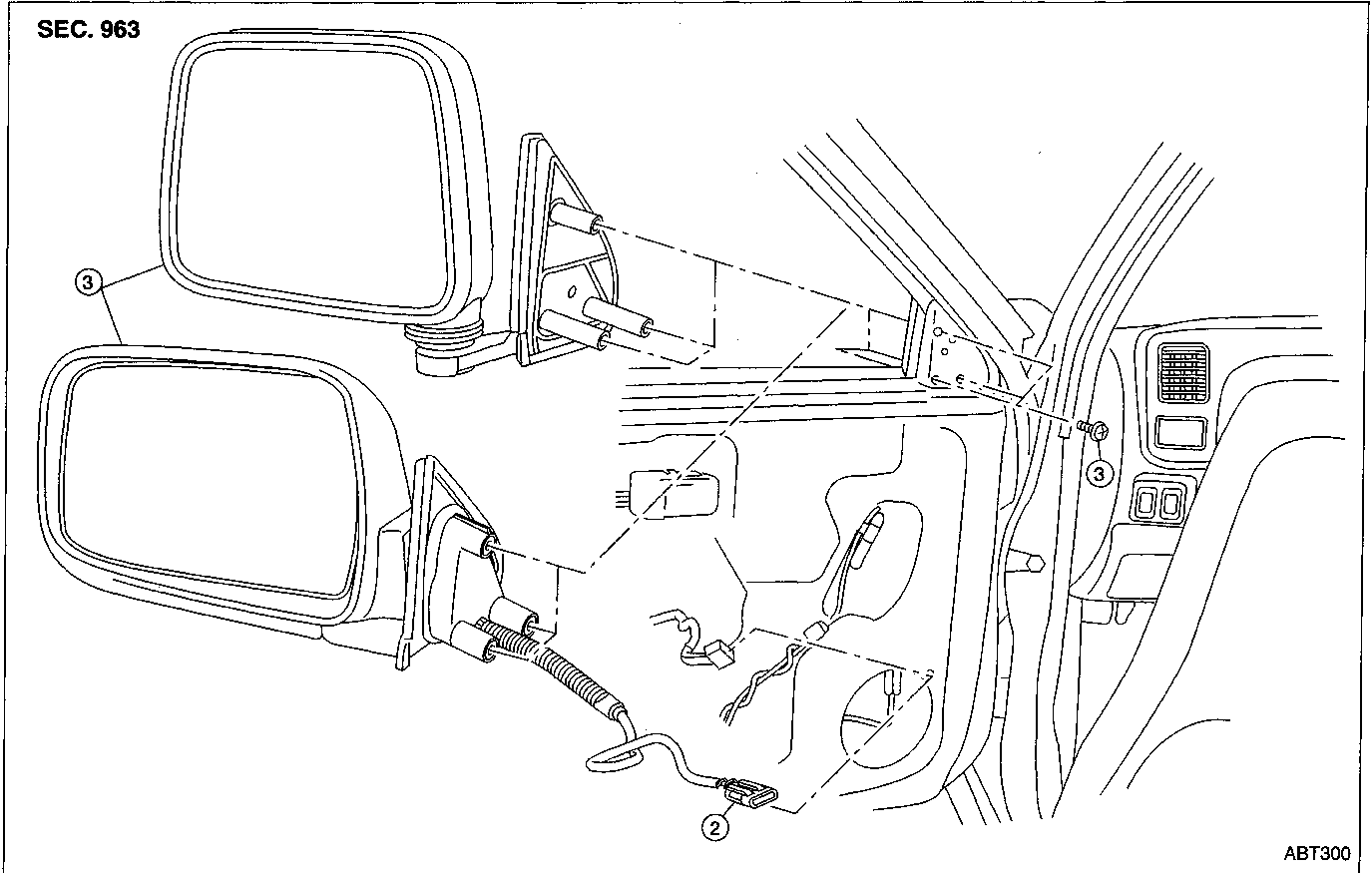
## Door Mirror

Be careful not to scratch door rearview mirror body.

★ For Wiring Diagram, refer to "POWER DOOR MIRROR" in EL section.

### REMOVAL — Door mirror

- ① Remove door trim or inner cover from front corner of door. Refer to "Door Trim" for details, BT-17.
- ② Disconnect door mirror harness connector.
- ③ Remove bolts securing door mirror, then remove door mirror assembly.



GI

MA

EM

LC

EC

FE

CL

MT

AT

TF

PD

FA

RA

BR

ST

RS

**BT**

HA

EL

IDX

# CAB AND REAR BODY

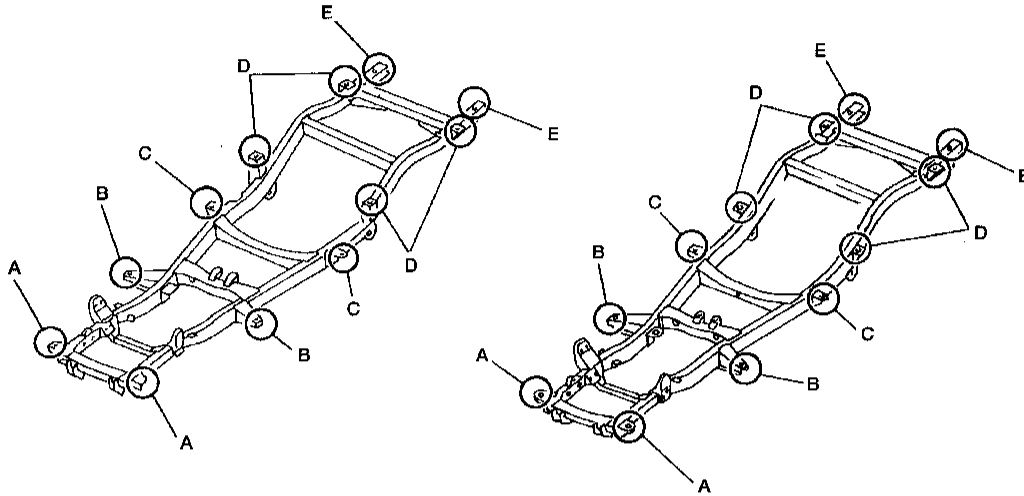
## Body Mounting

When removing, be sure to replace bolts and nuts (sealant applied bolts or self-lock nuts are used for all mounting).

SEC. 930

Short wheel base

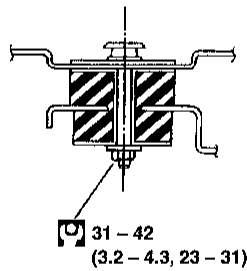
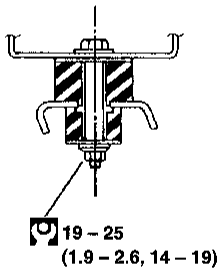
Long wheel base



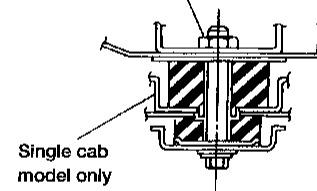
A

B

C

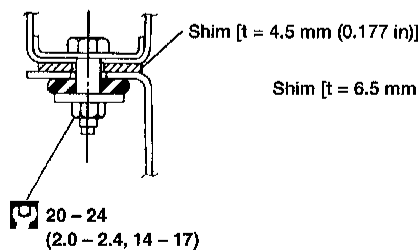


**31 - 42** (3.2 - 4.3, 23 - 31)

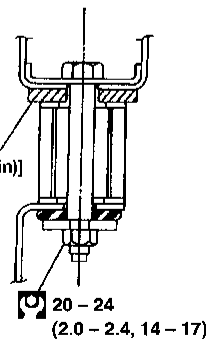


D

E



Shim [t = 6.5 mm (0.256 in)]



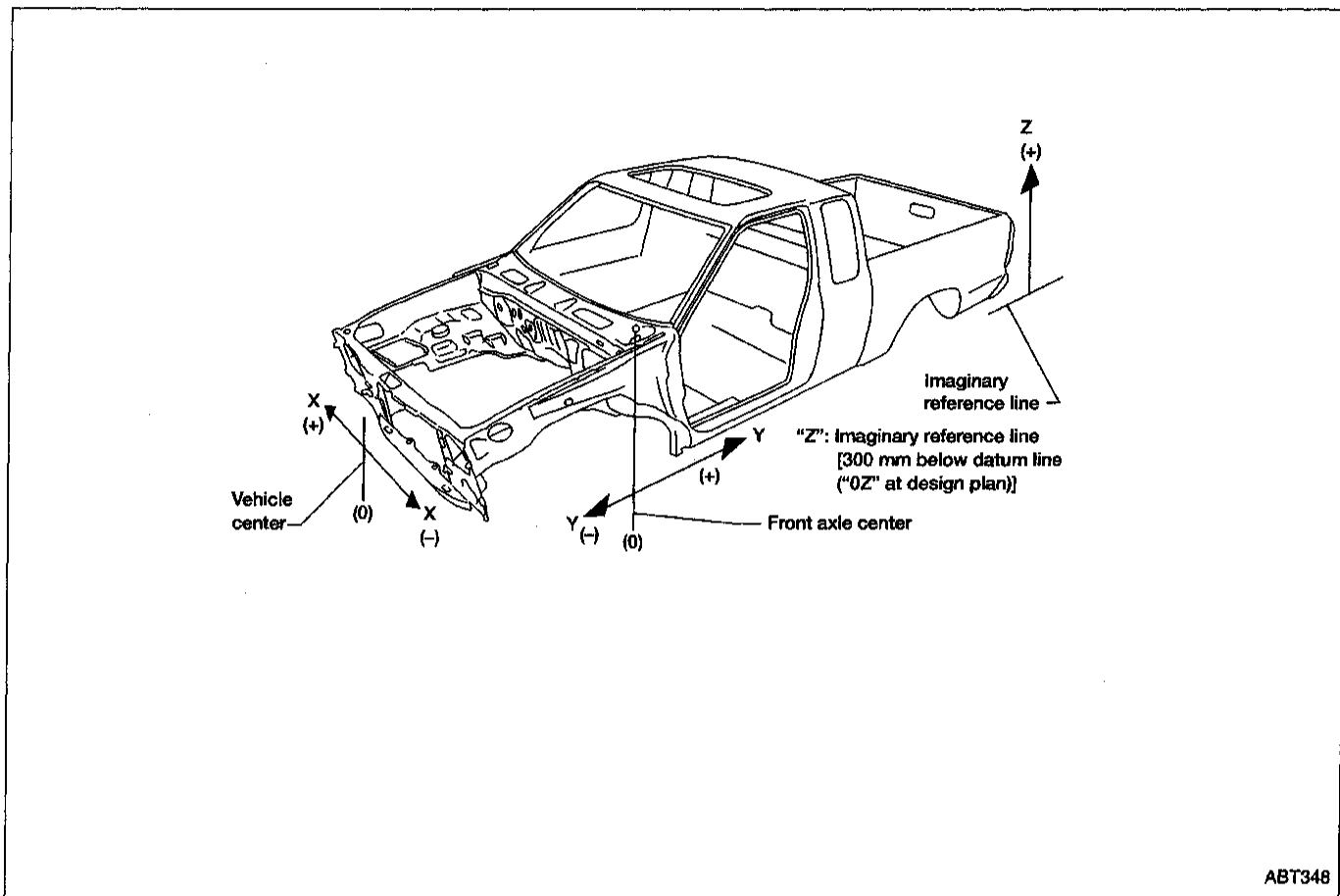
: N·m (kg-m, ft-lb)

ABT312

BT-36

# BODY ALIGNMENT

- All dimensions indicated in the figures are actual.
- When using a tracking gauge, adjust both pointers to equal length, then check pointers and the gauge to make sure there is no free play.
- When a measuring tape is used, check to be sure there is no elongation, twisting or bending.
- Measurements should be taken at the center of the mounting holes.
- An asterisk (\*) following the value at the measuring point indicates that the measuring point on the other side is symmetrically the same value.
- The coordinates of the measurement points are the distances measured from the standard line of "X", "Y" and "Z".

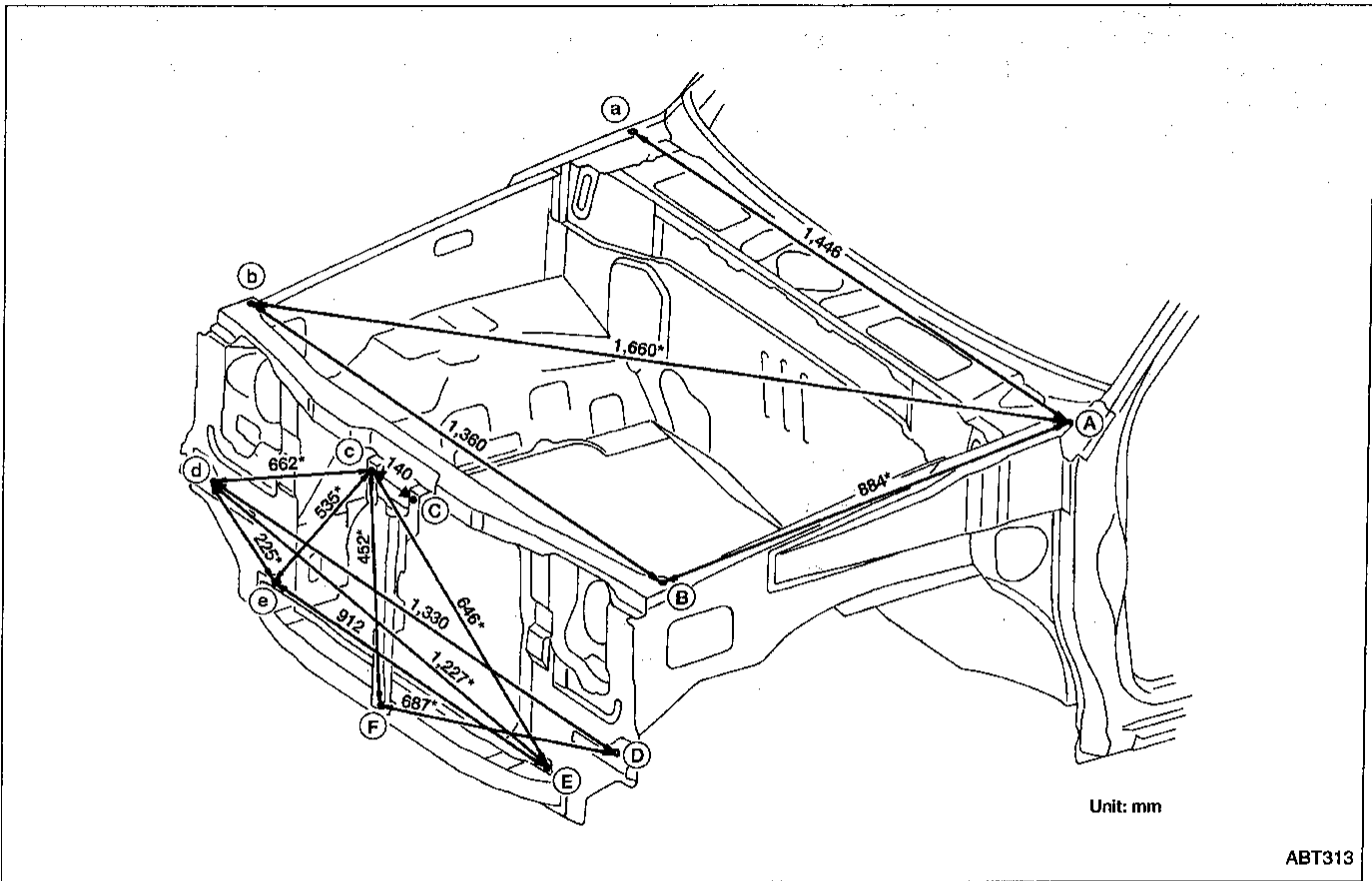


GI  
MA  
EM  
LC  
EC  
FE  
CL  
MT  
AT  
TF  
PD  
FA  
RA  
BR  
ST  
RS  
BT  
HA  
EL  
IDX

# BODY ALIGNMENT

## Engine Compartment

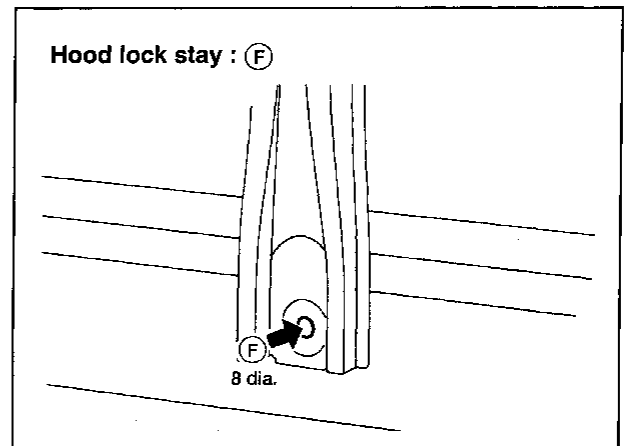
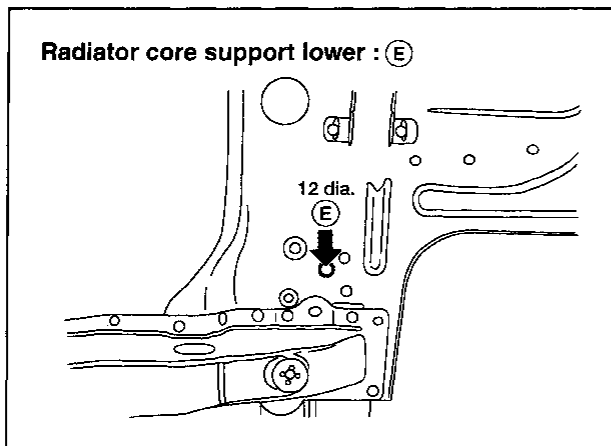
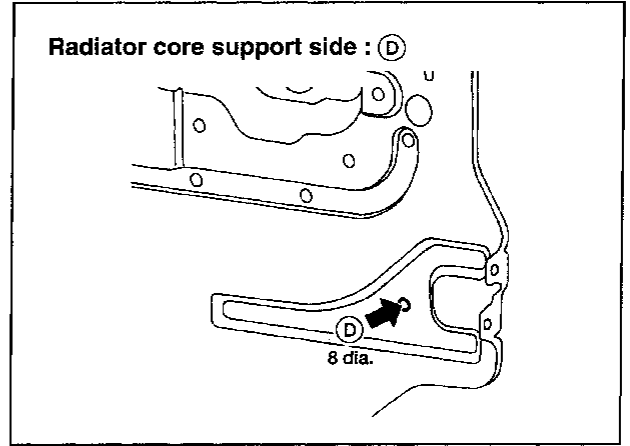
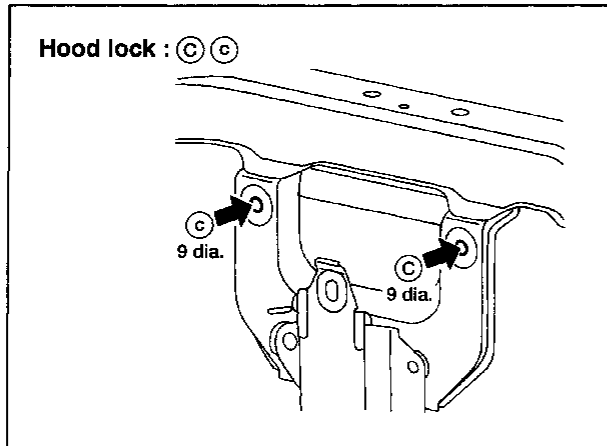
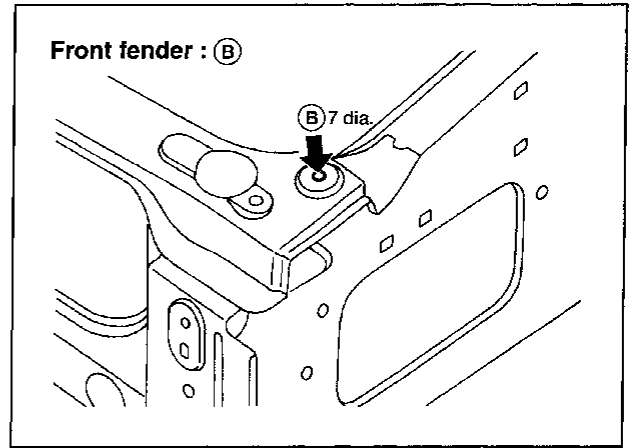
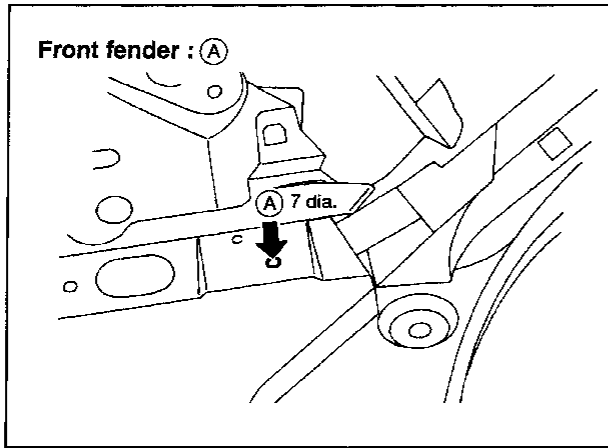
### MEASUREMENT



# BODY ALIGNMENT

## Engine Compartment (Cont'd)

### MEASUREMENT POINTS



Unit: mm

GI  
MA  
EM  
LC  
EC  
FE  
CL  
MT  
AT  
TF  
PD  
FA  
RA  
BR  
ST  
RS  
BT  
HA  
EL  
IDX

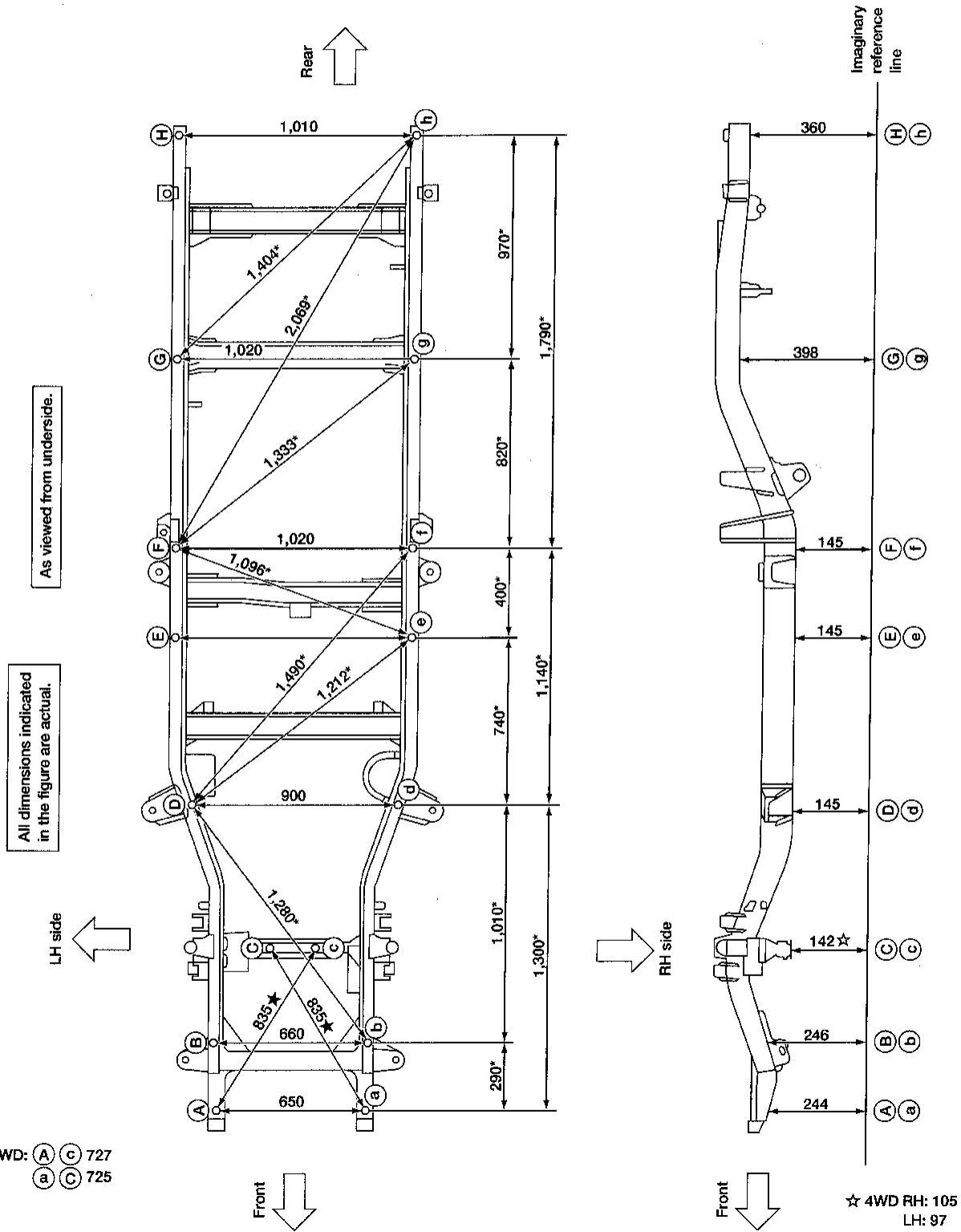
# BODY ALIGNMENT

## Underbody

### MEASUREMENT

### 2WD-4WD (Short wheelbase) models

2WD model shown



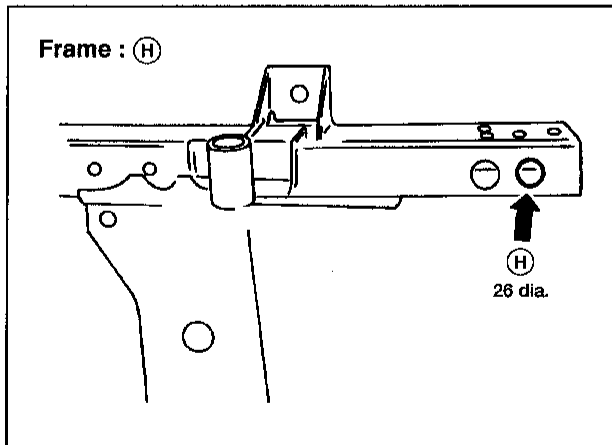
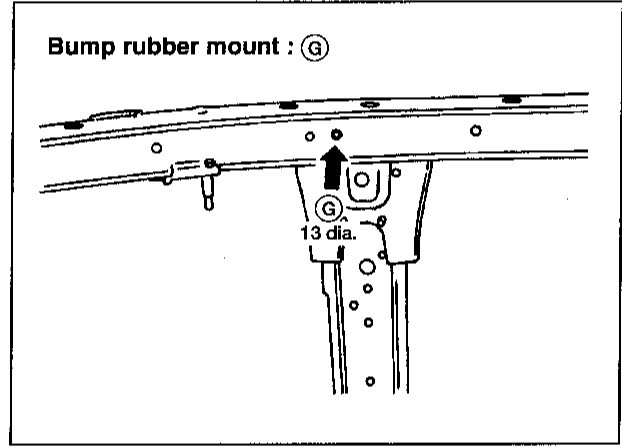
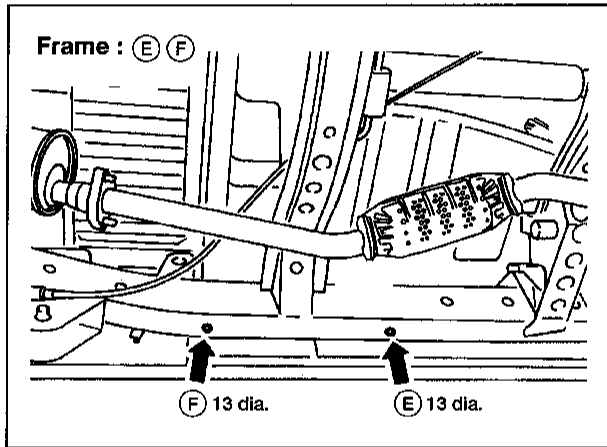
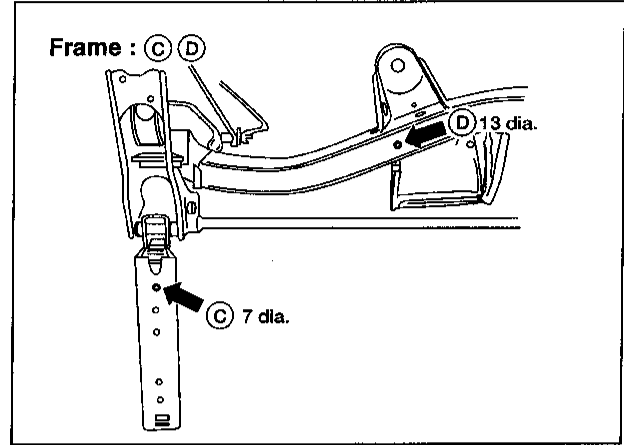
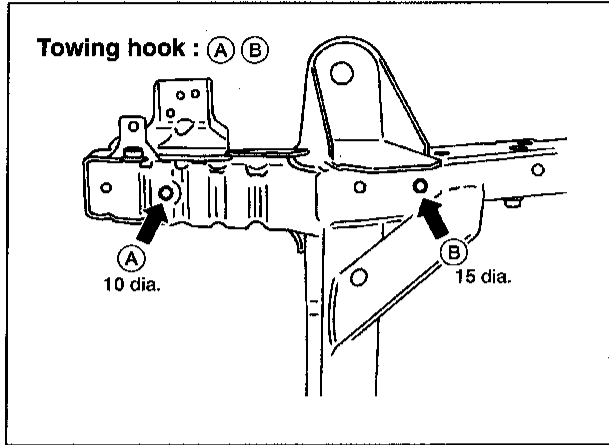


# BODY ALIGNMENT

## Underbody (Cont'd)

### MEASUREMENT POINTS

2WD-4WD (Short wheelbase) models



**Coordinates:**

(A), (a)	(E), (e)
X: 325	X: 510
Y: -700	Y: 1,340
Z: 244	Z: 145
(B), (b)	(F), (f)
X: 330	X: 510
Y: -409	Y: 1,740
Z: 246	Z: 145
(C), (c)	(G), (g)
X: 123	X: 510
Y: -3	Y: 2,560
Z: 4WD RH 105	Z: 398
4WD LH 97	(H), (h)
2WD 142	X: 505
(D), (d)	Y: 3,530
X: 450	Z: 360
Y: 600	
Z: 145	

Unit: mm

GI  
MA  
EM  
LG  
EC  
FE  
CL  
MT  
AT  
TF  
PD  
FA  
RA  
BR  
ST  
RS  
BT  
HA  
EL  
IDX

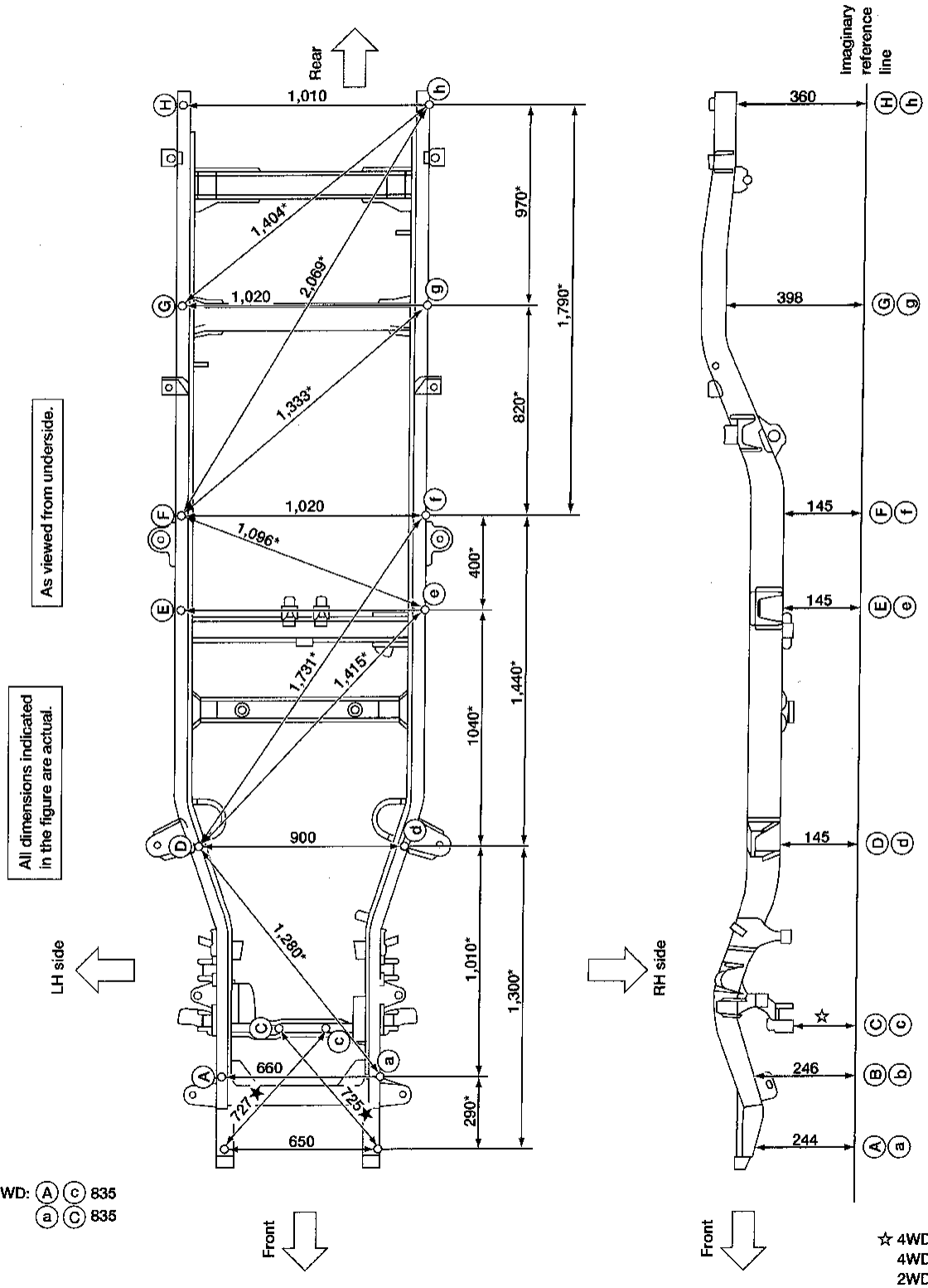
# BODY ALIGNMENT

## Underbody (Cont'd)

### MEASUREMENT

### 2WD-4WD (Long wheelbase) models

4WD model shown

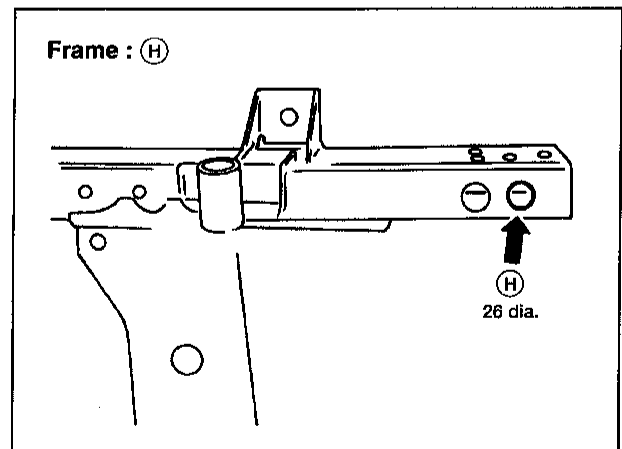
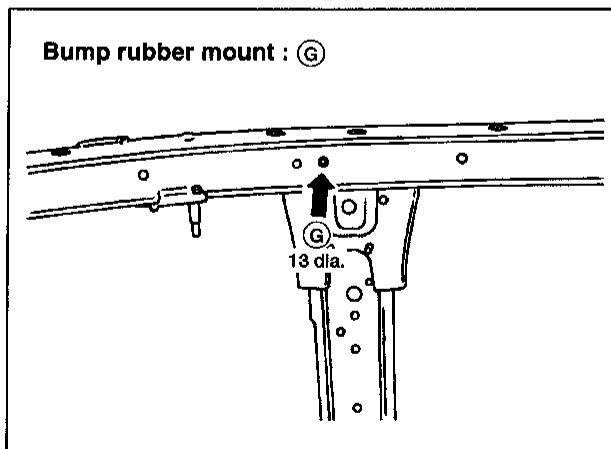
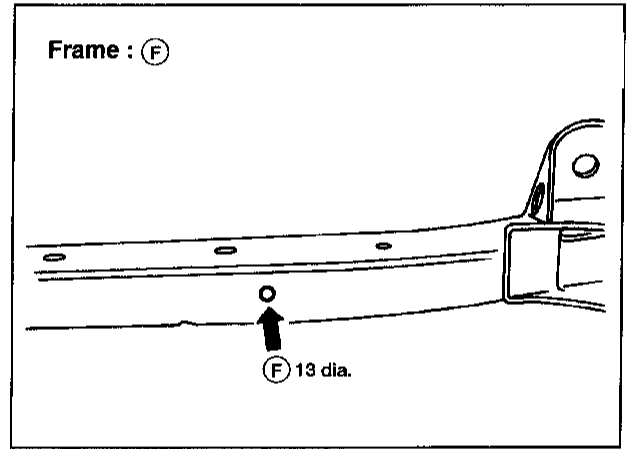
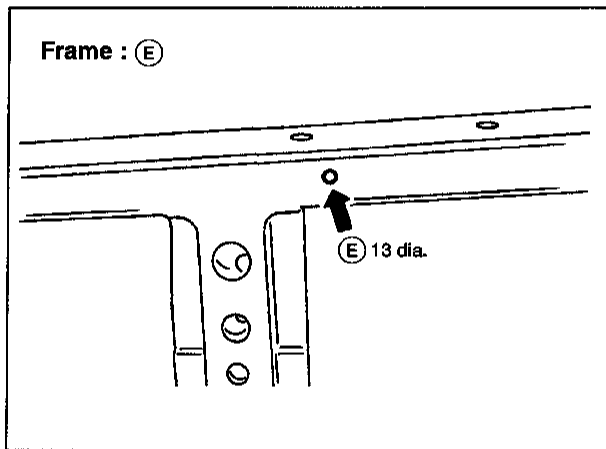
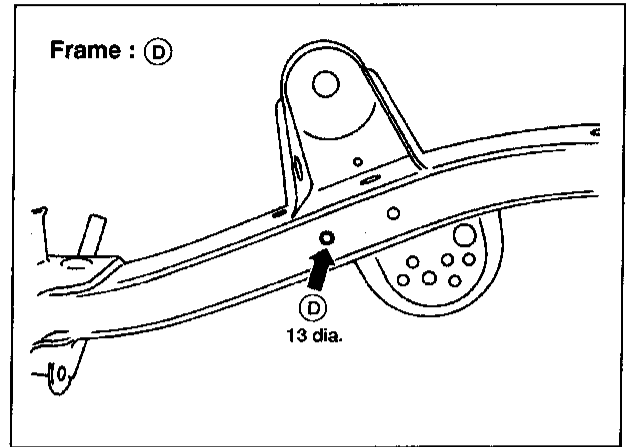
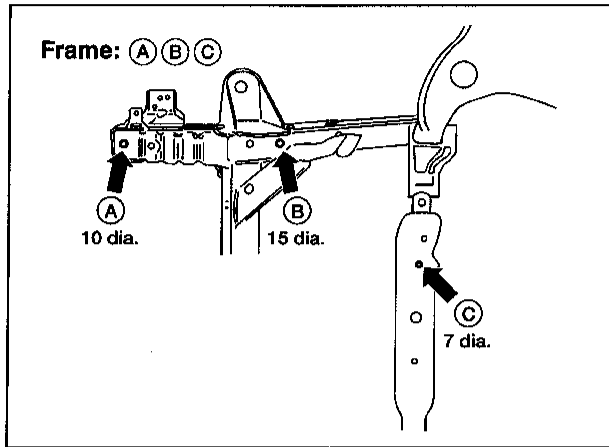


# BODY ALIGNMENT

## Underbody (Cont'd)

### MEASUREMENT POINTS

2WD-4WD (Long wheelbase) models



Coordinates:	(A) .a	(B) .b	(C) .c	(D) .d	(E) .e	(F) .f	(G) .g	(H) .h
X :	325	330	100	450	510	510	510	505
Y :	-700	-400	-129	600	1,040	1,640	2,860	3,830
Z :	244	246	4WD: RH 105 4WD: LH 97 2WD: 142	145	145	145	398	360

Unit: mm

GI  
MA  
EM  
LC  
EC  
FE  
CL  
MT  
AT  
TF  
PD  
FA  
RA  
BR  
ST  
RS  
BT  
HA  
EL  
IDX