

SECTION **PWO**  
POWER OUTLET

A  
B  
C  
D  
E  
F  
G  
H  
I  
J  
K  
L  
N  
O  
P

CONTENTS

<b>PRECAUTION</b> .....	2	<b>POWER SOCKET</b> .....	3
<b>PRECAUTIONS</b> .....	2	Wiring Diagram-Power Socket/Cigarette Lighter .....	3
Precaution for Supplemental Restraint System (SRS) "AIR BAG" and "SEAT BELT PRE-TENSIONER" .....	2	<b>ON-VEHICLE REPAIR</b> .....	6
<b>COMPONENT DIAGNOSIS</b> .....	3	<b>POWER SOCKET</b> .....	6
		Removal and Installation .....	6

PWO

# PRECAUTIONS

< PRECAUTION >

---

## PRECAUTION

### PRECAUTIONS

#### Precaution for Supplemental Restraint System (SRS) "AIR BAG" and "SEAT BELT PRE-TENSIONER"

INFOID:000000003303819

The Supplemental Restraint System such as "AIR BAG" and "SEAT BELT PRE-TENSIONER", used along with a front seat belt, helps to reduce the risk or severity of injury to the driver and front passenger for certain types of collision. This system includes seat belt switch inputs and dual stage front air bag modules. The SRS system uses the seat belt switches to determine the front air bag deployment, and may only deploy one front air bag, depending on the severity of a collision and whether the front occupants are belted or unbelted. Information necessary to service the system safely is included in the SR and SB section of this Service Manual.

**WARNING:**

- **To avoid rendering the SRS inoperative, which could increase the risk of personal injury or death in the event of a collision which would result in air bag inflation, all maintenance must be performed by an authorized NISSAN/INFINITI dealer.**
- **Improper maintenance, including incorrect removal and installation of the SRS, can lead to personal injury caused by unintentional activation of the system. For removal of Spiral Cable and Air Bag Module, see the SR section.**
- **Do not use electrical test equipment on any circuit related to the SRS unless instructed to in this Service Manual. SRS wiring harnesses can be identified by yellow and/or orange harnesses or harness connectors.**

# POWER SOCKET

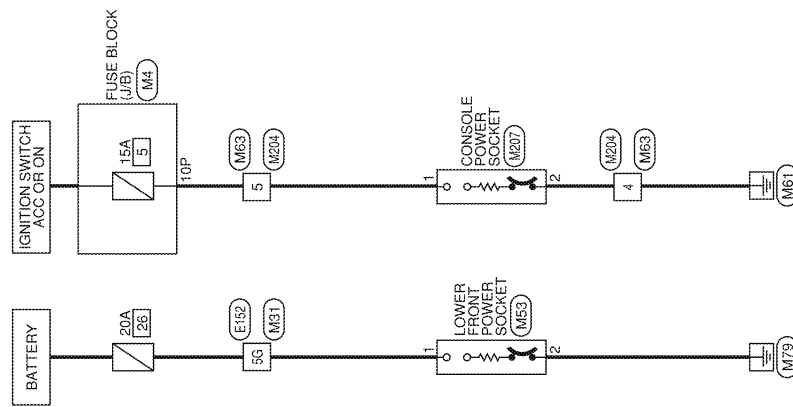
< COMPONENT DIAGNOSIS >

## COMPONENT DIAGNOSIS

### POWER SOCKET

#### Wiring Diagram-Power Socket/Cigarette Lighter

INFOID:000000003292560



POWER SOCKET

PWO

N

O

P

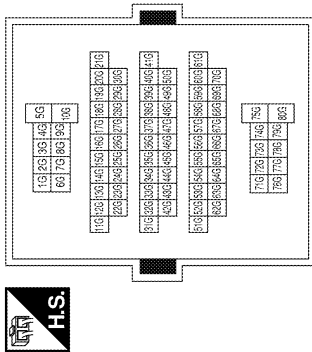
AWMWA0125G



# POWER SOCKET

< COMPONENT DIAGNOSIS >

Connector No.	E 152
Connector Name	WIRE TO WIRE
Connector Color	WHITE



Terminal No.	Color of Wire	Signal Name
5G	R	-

A  
B  
C  
D  
E  
F  
G  
H  
I  
J  
K  
L  
N  
O  
P

PWO

AWMIA0214GB

# POWER SOCKET

< ON-VEHICLE REPAIR >

## ON-VEHICLE REPAIR

### POWER SOCKET

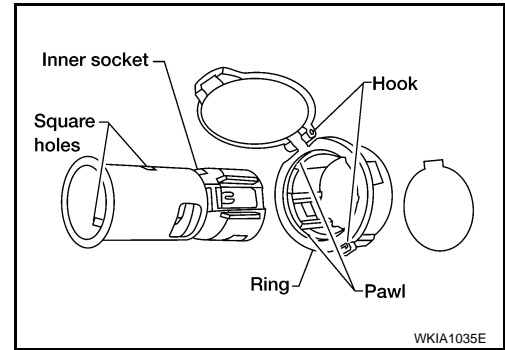
#### Removal and Installation

INFOID:000000003303820

#### LOWER FRONT POWER SOCKET

##### Removal

1. Disconnect battery negative terminal.
2. Remove inner socket from the ring, while pressing the hook on the ring out from square hole.
3. Disconnect power socket connector.
4. Remove ring from power socket finisher while pressing pawls.



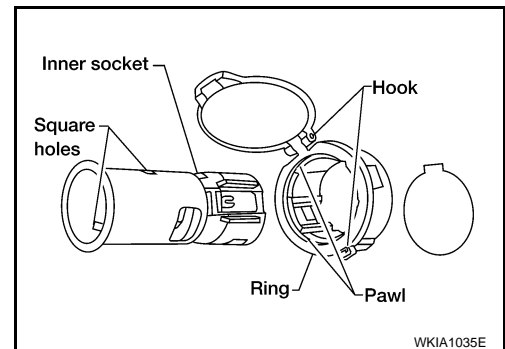
##### Installation

Installation is in the reverse order of removal.

#### UPPER FRONT (IF EQUIPPED) AND CONSOLE POWER SOCKET

##### Removal

1. Remove inner socket from the ring, while pressing the hook on the ring out from square hole.
2. Disconnect power socket connector.
3. Remove ring from power socket finisher while pressing pawls.



##### Installation

Installation is in the reverse order of removal.