

SECTION EI
EXTERIOR & INTERIOR

A
B
C
D
E
F
G
H
EI
J
K
L
M

CONTENTS

PRECAUTIONS	2	WINDSHIELD MOLDING	17
Precautions for Supplemental Restraint System (SRS) "AIR BAG" and "SEAT BELT PRE-TENSIONER"	2	Removal and Installation	17
Precautions for Procedures without Cowl Top Cover... ..	2	REMOVAL	17
Precautions	2	INSTALLATION	18
CLIP AND FASTENER	3	DOOR OUTSIDE MOLDING	19
Clip and Fastener	3	Removal and Installation	19
FRONT BUMPER	4	REMOVAL	19
Removal and Installation	4	INSTALLATION	19
REMOVAL	6	DOOR FINISHER	20
INSTALLATION	7	Removal and Installation	20
REAR BUMPER	8	REMOVAL	21
Removal and Installation	8	INSTALLATION	21
REMOVAL	9	BACK DOOR TRIM	22
INSTALLATION	9	Removal and Installation	22
FRONT GRILLE	10	REMOVAL	22
Removal and Installation	10	INSTALLATION	23
REMOVAL	10	LICENSE PLATE FINISHER	24
INSTALLATION	10	Removal and Installation	24
FRONT DEFLECTOR	11	REMOVAL	24
Removal and Installation	11	INSTALLATION	25
REMOVAL	11	BODY SIDE TRIM	26
INSTALLATION	11	Removal and Installation	26
COWL TOP	12	REMOVAL	26
Removal and Installation	12	INSTALLATION	27
REMOVAL	12	REAR PARCEL SHELF FINISHER	28
INSTALLATION	13	Component Parts Location	28
FENDER PROTECTOR	14	FLOOR TRIM	29
Removal and Installation	14	Removal and Installation	29
MUDGUARD	15	REMOVAL	29
Removal and Installation	15	INSTALLATION	29
ROOF SIDE MOLDING	16	HEADLINER	30
Removal and Installation	16	Removal and Installation	30
REMOVAL	16	REMOVAL	30
INSTALLATION	16	INSTALLATION	31
		LUGGAGE FLOOR TRIM	32
		Removal and Installation	32
		REMOVAL	33
		INSTALLATION	33

PRECAUTIONS

PRECAUTIONS

PFP:00001

Precautions for Supplemental Restraint System (SRS) “AIR BAG” and “SEAT BELT PRE-TENSIONER”

BIS00075

The Supplemental Restraint System such as “AIR BAG” and “SEAT BELT PRE-TENSIONER”, used along with a front seat belt, helps to reduce the risk or severity of injury to the driver and front passenger for certain types of collision. Information necessary to service the system safely is included in the SRS and SB section of this Service Manual.

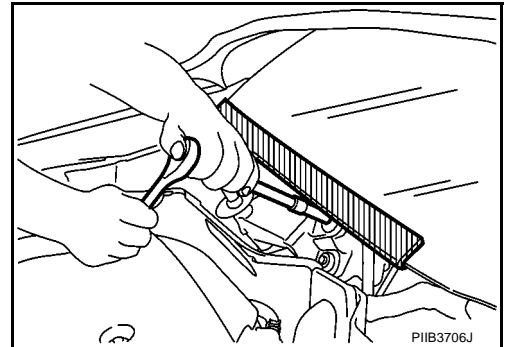
WARNING:

- To avoid rendering the SRS inoperative, which could increase the risk of personal injury or death in the event of a collision which would result in air bag inflation, all maintenance must be performed by an authorized NISSAN/INFINITI dealer.
- Improper maintenance, including incorrect removal and installation of the SRS, can lead to personal injury caused by unintentional activation of the system. For removal of Spiral Cable and Air Bag Module, see the SRS section.
- Do not use electrical test equipment on any circuit related to the SRS unless instructed to in this Service Manual. SRS wiring harnesses can be identified by yellow and/or orange harnesses or harness connectors.

Precautions for Procedures without Cowl Top Cover

BIS00076

When performing the procedure after removing cowl top cover, cover the lower end of windshield with urethane, etc.



Precautions

BIS00077

- When removing or disassembling any part, be careful not to damage or deform it. Protect parts, which may get in the way with cloth.
- When removing parts with a screwdriver or other tool, protect parts by wrapping them with vinyl or tape.
- Keep removed parts protected with cloth.
- If a clip is deformed or damaged, replace it.
- If an un reusable part is removed, replace it with a new one.
- Tighten bolts and nuts firmly to the specified torque.
- After re-assembly has been completed, make sure each part functions correctly.
- Remove stains in the following way.

Water-soluble stains:

Dip a soft cloth in warm water, and then squeeze it tightly. After wiping the stain, wipe with a soft dry cloth.

Oil stain:

Dissolve a synthetic detergent in warm water (density of 2 to 3% or less), dip the cloth, then clean off the stain with the cloth. Next, dip the cloth in fresh water and squeeze it tightly. Then clean off the detergent completely. Then wipe the area with a soft dry cloth.

- Do not use any organic solvent, such as thinner or benzene.


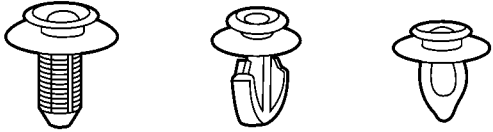


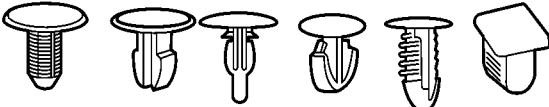
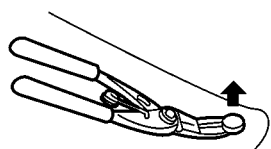

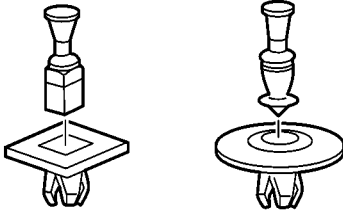
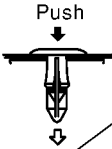
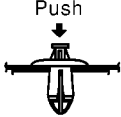

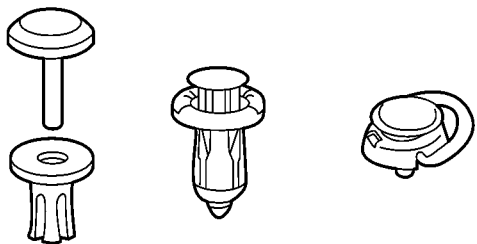


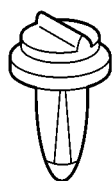
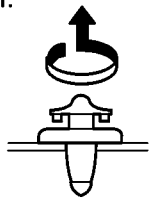
CLIP AND FASTENER

CLIP AND FASTENER

PFP:76906

Clip and Fastener

BIS00078

Symbol No.	Shapes	Removal & Installation
<p>C101</p> 		<p>Removal: Remove by bending up with flat-bladed screwdrivers or clip remover.</p> 
<p>C103</p> 		 <p>Removal: Remove with a clip remover.</p>
<p>C203</p> 		<p>Removal: Push center pin to catching position. (Do not remove center pin by hitting it.)</p>  <p>Installation:</p> 
<p>C205</p> 		<p>Removal: Flat-bladed screwdriver</p>  <p>Clip Finisher</p>
<p>C206</p> 		<p>Removal:</p> 

A
B
C
D
E
F
G
H
EI
J
K
L
M

FRONT BUMPER

FRONT BUMPER

PFP:F2022

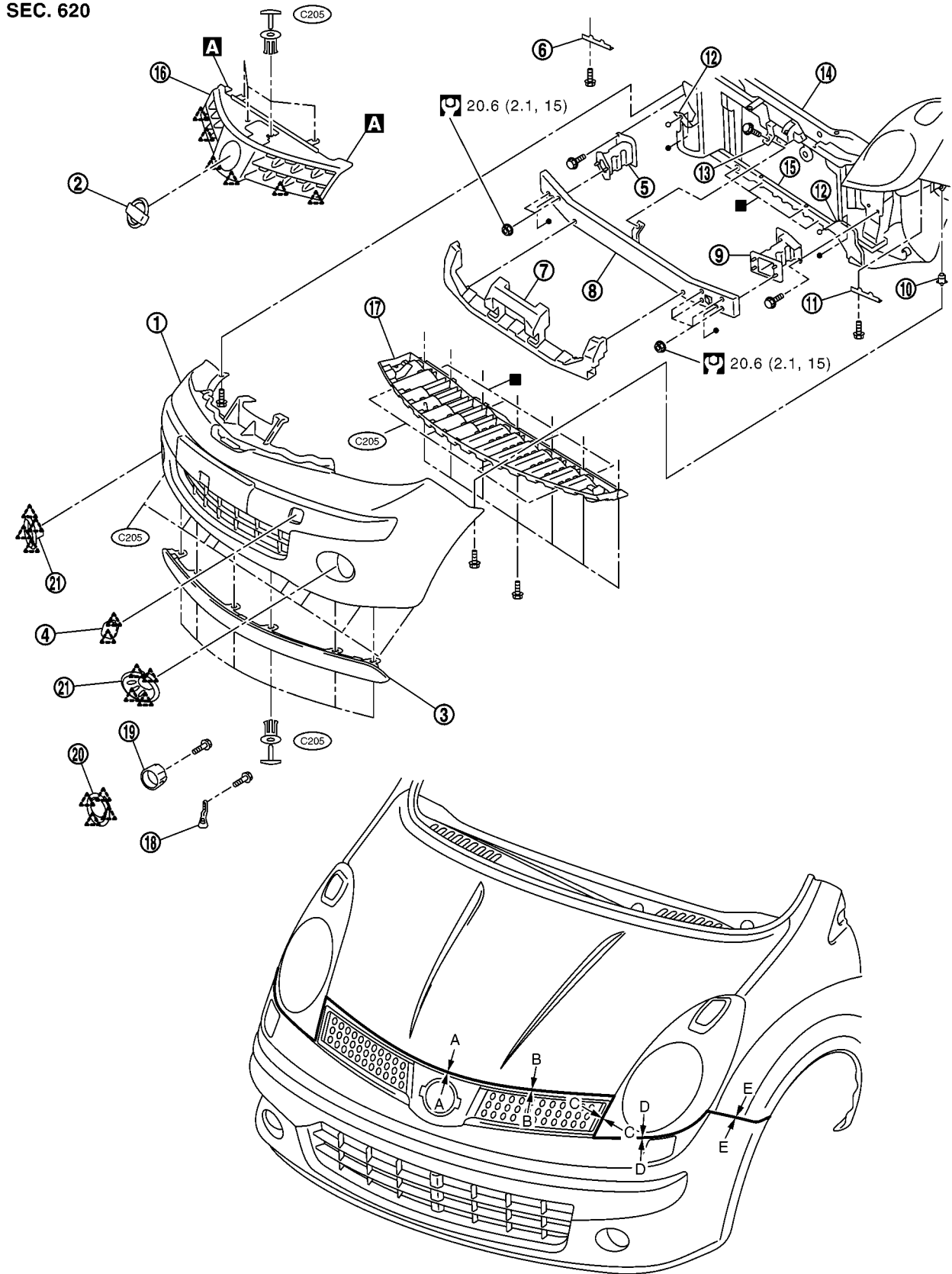
Removal and Installation

BIS00079

- Bumper fascia is made of plastic. Do not use excessive force and be sure to protect it from exposure to oil.

FRONT BUMPER

SEC. 620



: N•m (kg-m, in-lb)


- | | | |
|---------------------------|-------------------------|---------------------------|
| 1. Bumper fascia | 2. Front emblem | 3. Front deflector |
| 4. Towing cover | 5. Bumper stay RH | 6. Bumper side bracket RH |
| 7. Bumper energy absorber | 8. Bumper reinforcement | 9. Bumper stay LH |

MIB9318E

A
B
C
D
E
F
G
H
EI
J
K
L
M

FRONT BUMPER

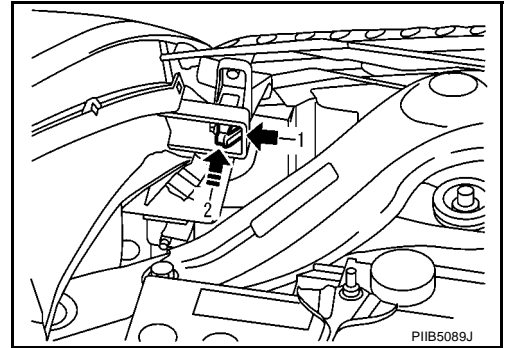
- | | | |
|----------------------------------|-------------------------------------|---|
| 10. Grommet | 11. Bumper side bracket LH | 12. Front air guide |
| 13. Hook lock support stay | 14. Radiator core upper support | 15. Radiator core lower support |
| 16. Front grille | 17. Bumper under cover | 18. Guide |
| 19. Front fog lamp (if equipped) | 20. Fog lamp finisher (if equipped) | 21. Bumper fascia finisher (model without front fog lamp) |

 : Pawl

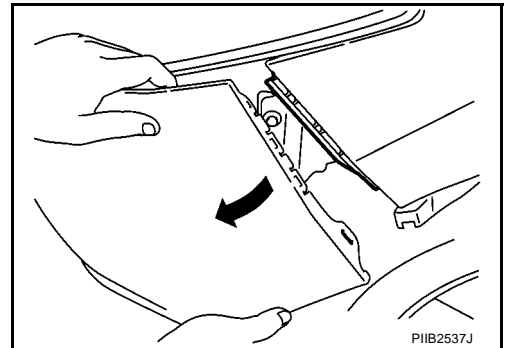
A : Refer to text

REMOVAL

1. Remove front mud guard (if equipped). Refer to [EI-15, "MUDGUARD"](#) .
2. Remove fender protector fixing bolts. Remove partially fender protectors (right, left) to access to bumper fascia mountings bolts. Refer to [EI-14, "FENDER PROTECTOR"](#) .
3. Remove front bumper lowers clips.
4. Squeeze the front grille fasteners LH and RH to the outside direction (arrow direction 1) and push forward to release (arrow direction 2).
5. Remove mountings bolts from both side of front bumper.



6. Raise the front bumper and pull to release it from the front fender on both sides.

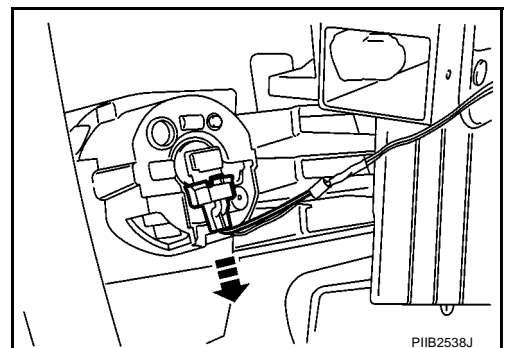


7. Disconnect front fog lamps harness connectors (if equipped) on both sides.
8. Remove the front bumper assembly from the vehicle.

NOTE:

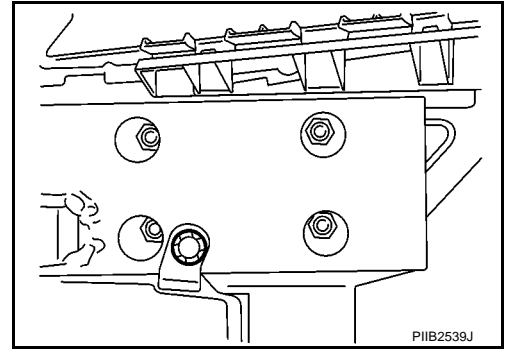
This operation requires two workers

9. Remove front fog lamp finisher (if equipped). Refer to [LT-87, "Removal and Installation"](#) .
10. Remove front fog lamp (if equipped). Refer to [LT-87, "Removal and Installation"](#) .
11. Remove the front bumper energy absorber.

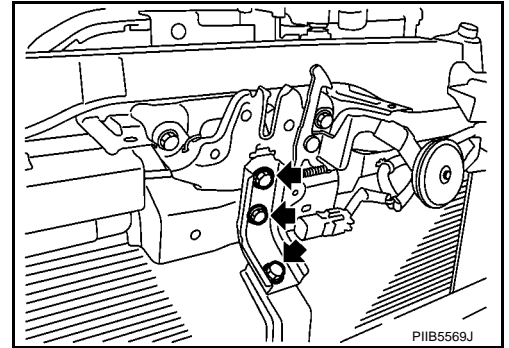


FRONT BUMPER

12. Remove clip from bumper reinforcement on both sides.



13. Remove bolts from hook lock support stay.



14. Remove four mountings nuts on the LH and two mountings nuts on the RH of bumper reinforcement, and remove the bumper reinforcement from the body.

15. Remove bumper stay LH and RH, bumper side brackets LH and RH, front air guide LH and RH.

INSTALLATION

Install in the reverse order of removal.

NOTE:

After installation, adjust the clearance.

	Portion	Clearance mm (in)
Front grille - Hood	A - A	6.5 ± 2.0 (0.256 \pm 0.079)
Front grille - Hood	B - B	6.5 ± 2.0 (0.256 \pm 0.079)
Front grille - Head lamp	C - C	2.5 ± 1.5 (0.098 \pm 0.059)
Front bumper - Head lamp	D - D	2.0 ± 1.6 (0.079 \pm 0.063)
Front bumper - Front fender	E - E	$0.0 + 1.0$ (0.000 + 0.039)

REAR BUMPER

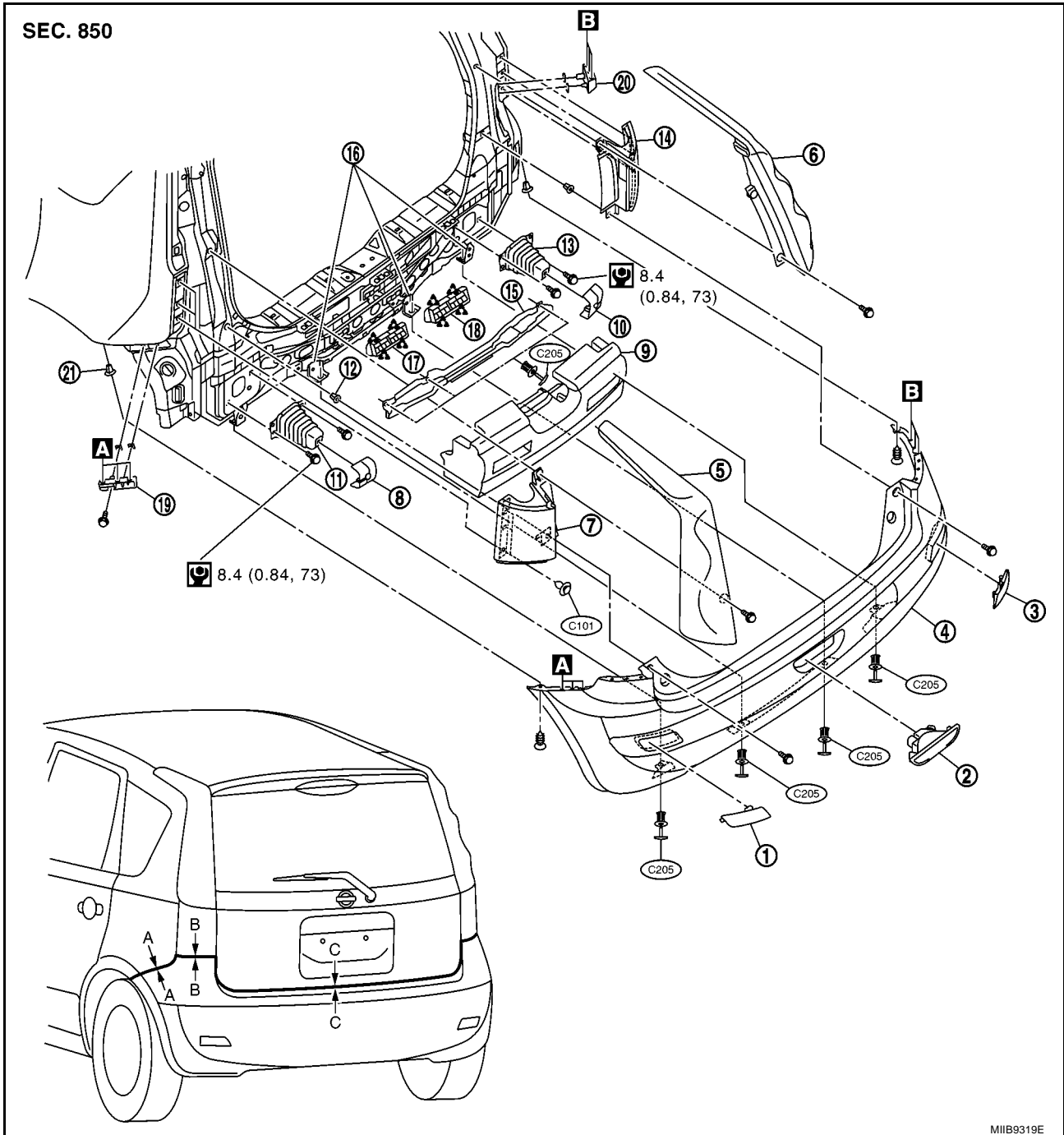
PFPH5022

BIS0007A

REAR BUMPER

Removal and Installation

Bumper fascia is made of plastic. Do not use excessive force and be sure to protect it from exposure to oil.



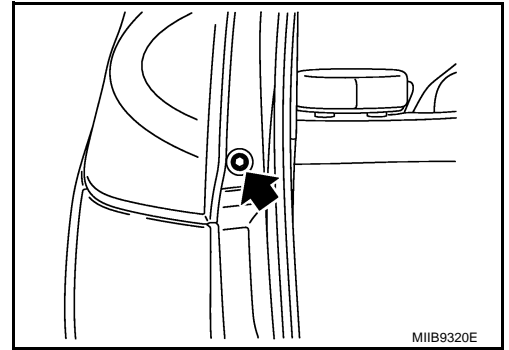
- | | | |
|--------------------------------|-------------------------------|----------------------------------|
| 1. Reflector LH | 2. Rear fog lamp | 3. Reflector RH |
| 4. Bumper fascia | 5. Rear combination lamp LH | 6. Rear combination lamp RH |
| 7. Rear fender cover LH | 8. Bumper fascia protector LH | 9. Bumper fascia energy absorber |
| 10. Bumper fascia protector RH | 11. Bumper fascia stay LH | 12. Grommet |
| 13. Bumper fascia stay RH | 14. Rear fender cover RH | 15. Rear panel (lower) |
| 16. Bumper fascia retainer | 17. Air extractor LH | 18. Air extractor RH |
| 19. Bumper fascia bracket LH | 20. Bumper fascia bracket RH | 21. Grommet |

△ : Pawl

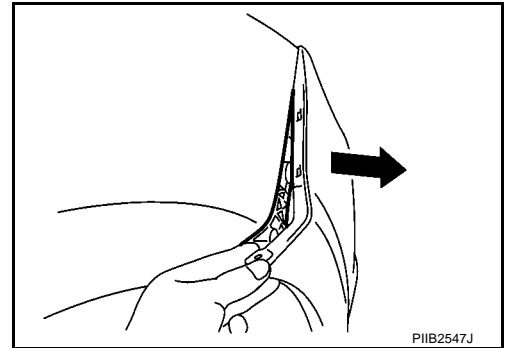
REAR BUMPER

REMOVAL

1. Remove lower fixing bolts from rear combination lamp LH and RH.
2. Remove rear bumper lowers clips.
3. Remove rear bumper mountings bolts LH and RH on the rear fender.



4. Pull the rear bumper fascia to outside vehicle direction and disengage the fascia from the side of the vehicle.
5. Remove bumper fascia mountings bolts LH and RH on the rear gate.
6. Remove rear mudguard LH and RH (if equipped). Refer to [EI-15, "MUDGUARD"](#).
7. Remove partially the bumper fascia to disconnect the rear fog lamp harness connector.



NOTE:

This operation requires two workers.

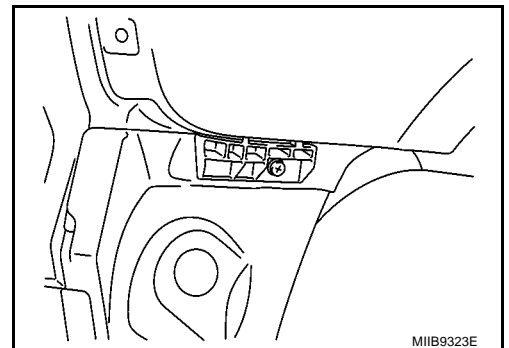
8. Remove the bumper fascia from the rear side of the vehicle.
9. Disengage clip securing the rear fender cover LH and RH to the rear fender.
10. Remove the rear fog lamp. Refer to [LT-97, "Removal and Installation"](#).
11. Remove the reflex reflector LH and RH.
12. Remove fascia bumper energy absorber.
13. Remove rear panel (lower), bumper fascia protector LH and RH, bumper fascia stay LH and RH, bumper fascia bracket LH and RH, air extractor LH and RH.

INSTALLATION

Install in the reverse order of removal.

NOTE:

Before installation check bumper fascia bracket LH and RH for break.



NOTE:

After installation, adjust the clearance.

	Portion	Clearance mm (in)
Rear fender - Rear bumper	A - A	0.0 + 1.0 (0.000 + 0.039)
Rear fender cover - Rear bumper	B - B	0.0 + 1.0 (0.000 + 0.039)
Back door - Rear bumper	C - C	6.0 ± 2.0 (0.236 ± 0.079)

FRONT GRILLE

FRONT GRILLE

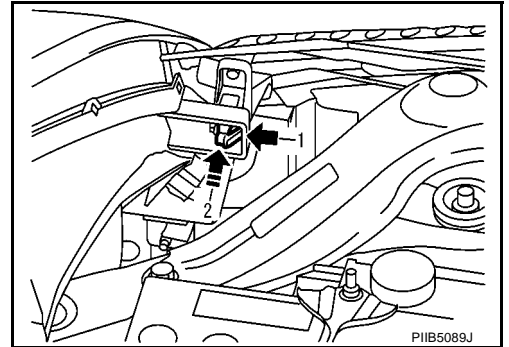
PFP:62310

Removal and Installation

B/S0007B

REMOVAL

1. Remove front grille mounting clips. Refer to [EI-4, "FRONT BUMPER"](#) .
2. Squeeze the front grille fasteners LH and RH to the outside direction (arrow direction 1) and push forward to release (arrow direction 2).



3. Push the front grille from back side to disengage pawls from the front bumper.

INSTALLATION

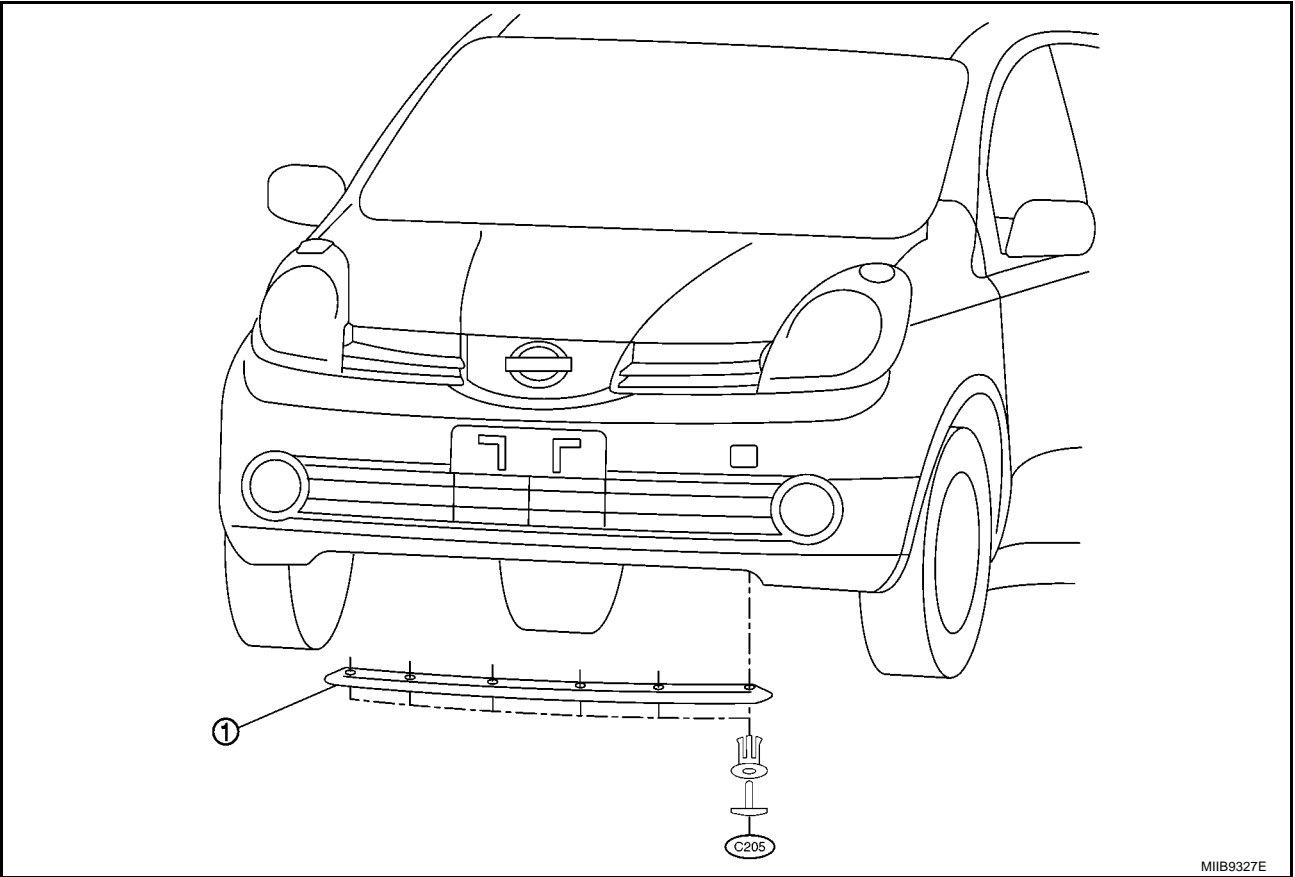
Install in the reverse order of removal.

FRONT DEFLECTOR

FRONT DEFLECTOR Removal and Installation

PFP:96015

B/S0007C



1. Front deflector

REMOVAL

1. Remove mountings clips from the front bumper.
2. Remove the front deflector.

INSTALLATION

Install in the reverse order of removal.

A
B
C
D
E
F
G
H
EI
J
K
L
M

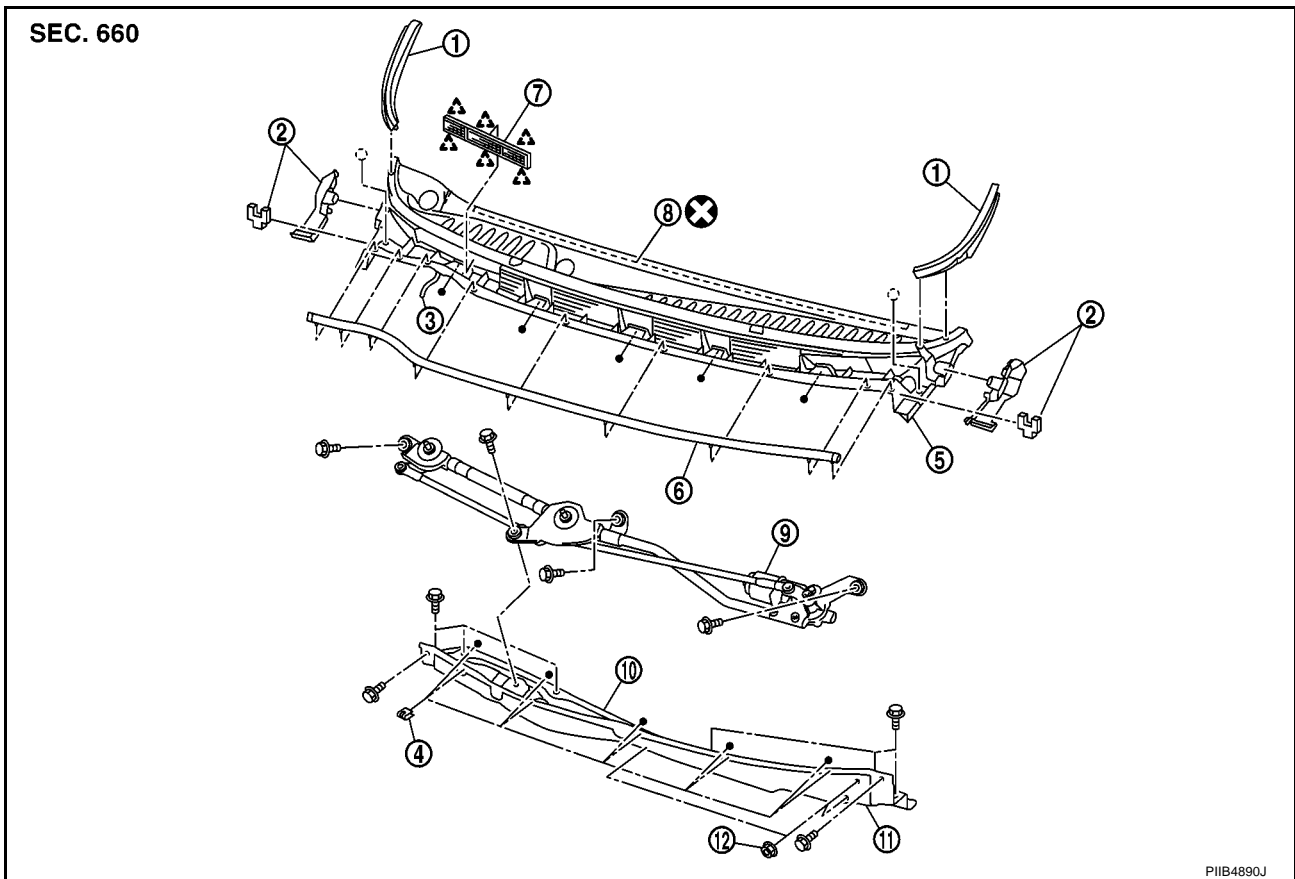
COWL TOP

PFP:66100

COWL TOP

Removal and Installation

BIS0007D



- | | | |
|---------------------------------|------------------------------|-------------------------------|
| 1. Front fender cover | 2. Side seal rubber and foam | 3. Front washer hose |
| 4. Plastic retainer* | 5. Cowl top | 6. Cowl top seal rubber |
| 7. Vehicle identification cover | 8. Cowl top sealing | 9. Front wiper motor and link |
| 10. Cowl top extension | 11. Dash insulator | 12. Plastic nuts |

*: Refer to text

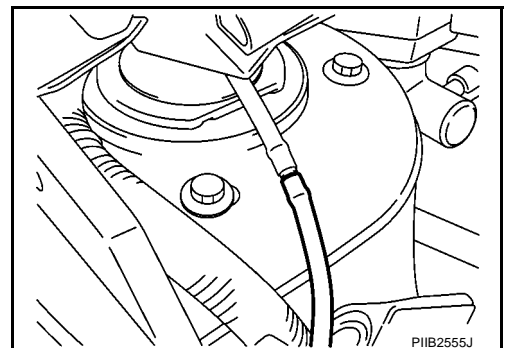
△ : Pawl

○ : Plastic clip

⊗ : Always replace after every disassembly

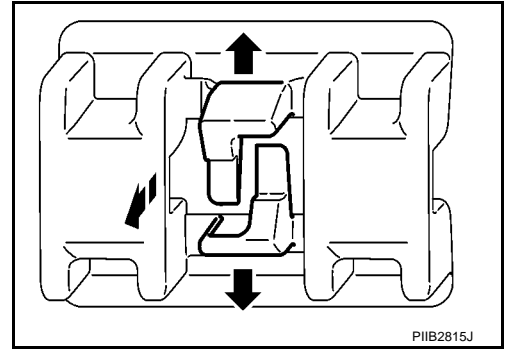
REMOVAL

1. Remove front wiper motor and link (LH and RH). Refer to [WW-43. "Removal and Installation of Front Wiper Drive Assembly"](#).
2. Disconnect the Front washer hose.
3. Remove front fender cover (LH and RH).

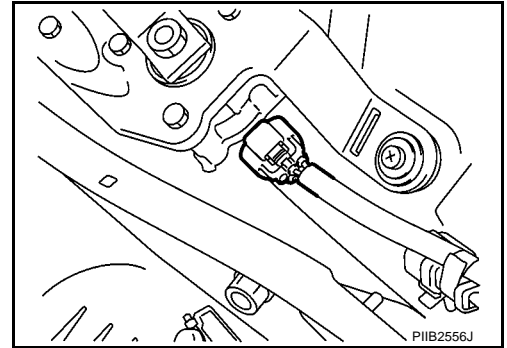


COWL TOP

4. Remove plastic retainer as follow.
 - Expand and maintain the central clip to upper and lower direction.
 - Pull the plastic clip to vehicle front direction to release the clip.
5. Remove plastic clips from cowl top on left and right side.
6. Remove side seal rubber (LH and RH) and foams.



7. Separate front wiper harness from the cowl top extension.
8. Remove plastic nuts and fixing screws from the cowl top extension and remove cowl top extension.



INSTALLATION

Install in the reverse order of removal.

NOTE:

If the cowl top is reused, discard and replace the cowl top sealing by a new one.

A
B
C
D
E
F
G
H

EI

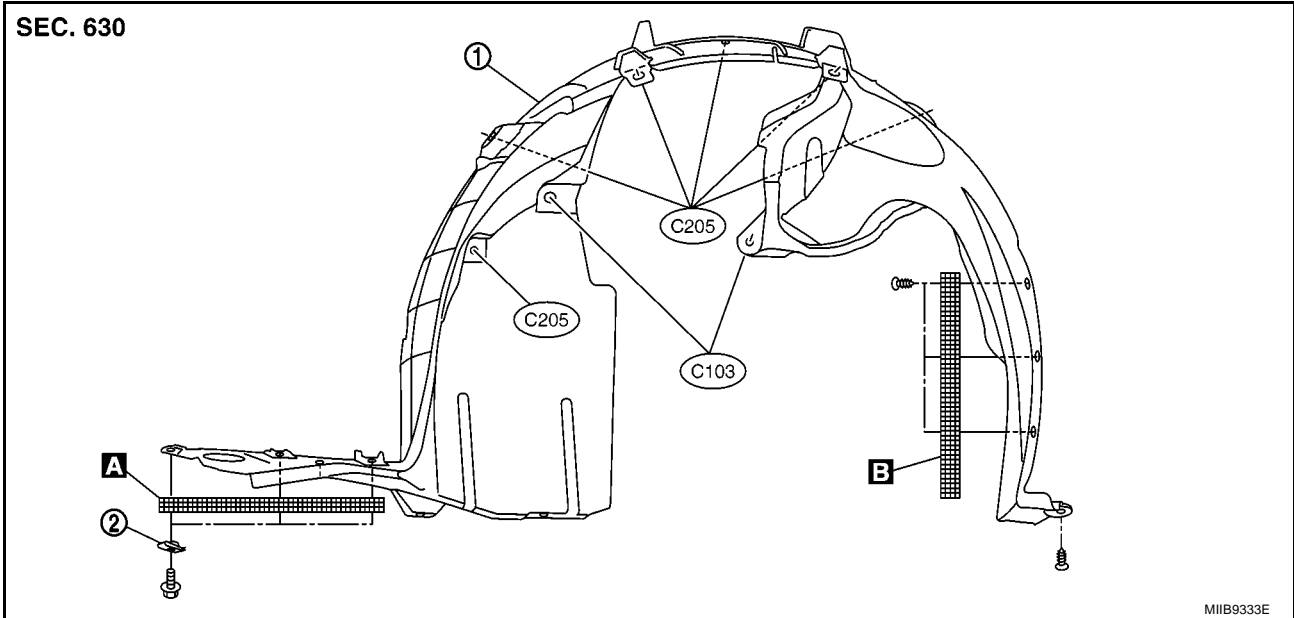
J
K
L
M

FENDER PROTECTOR

PFP:63840

FENDER PROTECTOR Removal and Installation

BIS0007E



1. Fender protector

2. Spring nut

A : Front bumper fascia

B : Front mud guard (if equipped)

MUDGUARD

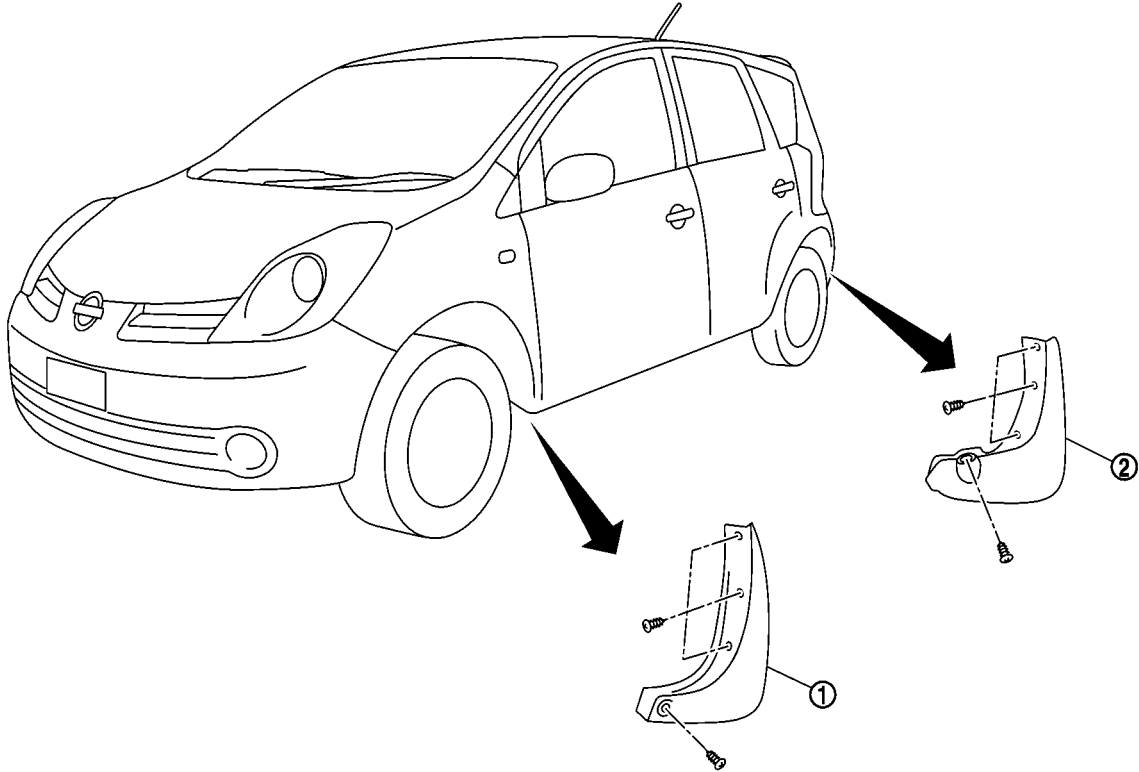
MUDGUARD

PFP:63854

Removal and Installation

BIS0014Z

SEC. 767



MIB9337E

1. Front mudguard (if fitted)

2. Rear mudguard (if fitted)

A
B
C
D
E
F
G
H
EI
J
K
L
M

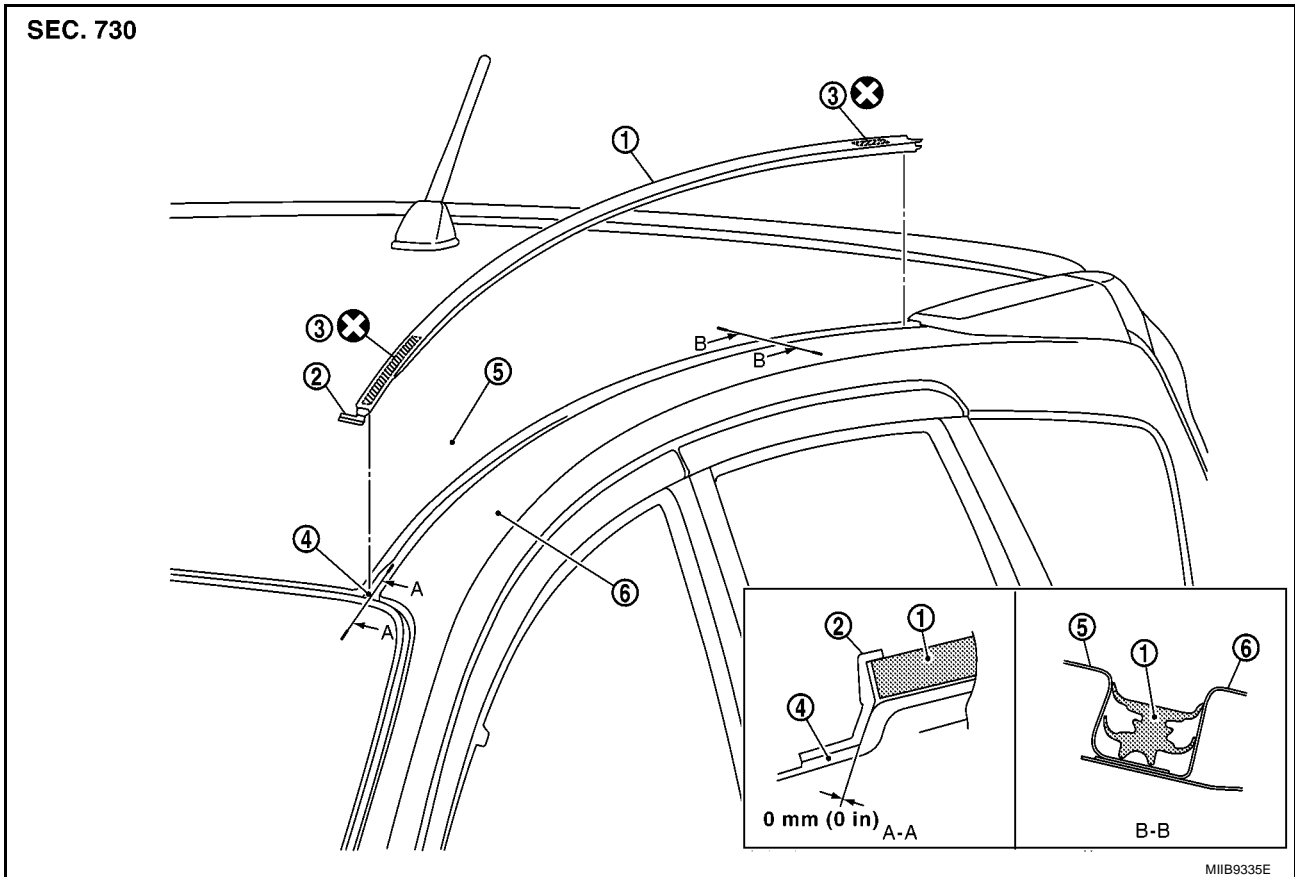
ROOF SIDE MOLDING

PFP:73854

ROOF SIDE MOLDING

Removal and Installation

BIS000TF



1. Roof side molding

2. Ended cap

3. Double sided tape

4. Roof panel flange

5. Roof panel

6. Body side outer panel

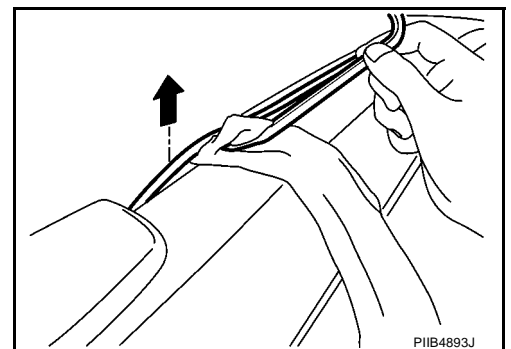
⊗ : Always replace after every disassembly

REMOVAL

1. Use a plastic knife, etc., and lift up the end of roof side molding (back end), remove clip, and peel off double-sided tape to remove it.
2. Remove the double-sided tape remaining on roof side molding back and vehicle body.

NOTE:

Double-sided tape can be easily removed using double-sided tape removal agent.



INSTALLATION

NOTE:

When only installing roof side molding, conduct the following procedure from Step 3.

1. Clean the roof side molding clip attachment surface (body side).
2. Bond roof side molding clip (body side) to vehicle body and let sit for 40 min.
3. Apply primer (Sumitomo3M N200 or comparable product) to roof side molding back double-sided tape application area.
4. Apply double-sided tape to roof side molding back (position in figure).
5. After butting roof side molding front end against window seal molding, push in molding from front to back end, and then affix to body using double-sided tape.

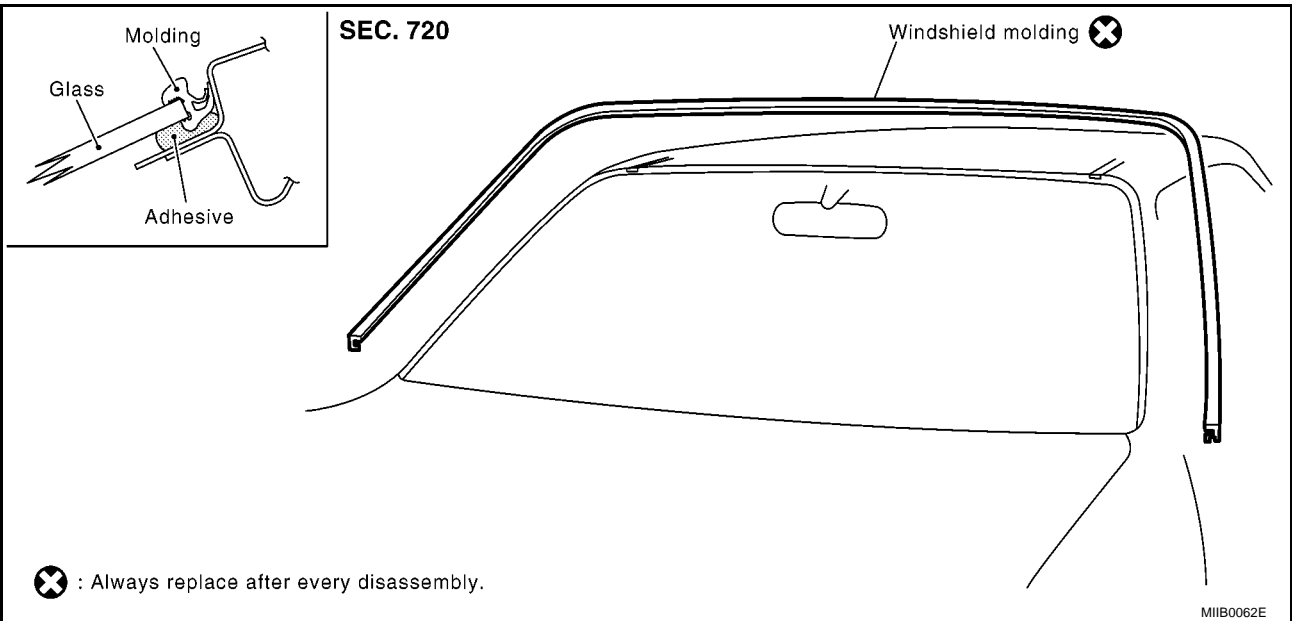
WINDSHIELD MOLDING

WINDSHIELD MOLDING

PFP:72750

Removal and Installation

BIS000TG

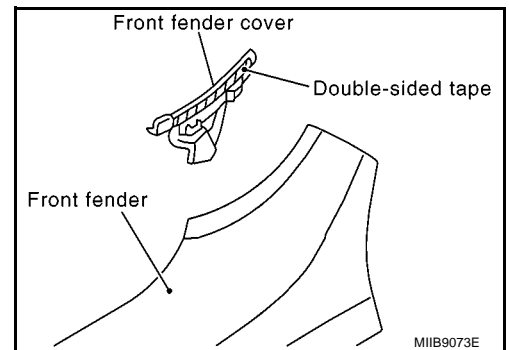


CAUTION:

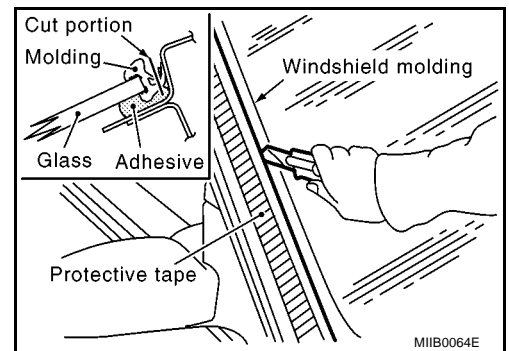
Be careful when handling adhesive and primer.

REMOVAL

1. Remove cowl top cover. Refer to [EI-12, "COWL TOP"](#) .
2. Peel off double-sided tape and remove front fender covers (LH/RH) from front fenders (LH/RH).



3. Apply protective tape along the contour of windshield molding and cut molding lip with cutter knife.
4. Tear off excess molding from end of molding to glass.
5. With pliers, draw out all the remaining molding left in flanged area of body to remove it completely from adhering surface on glass.



WINDSHIELD MOLDING

INSTALLATION

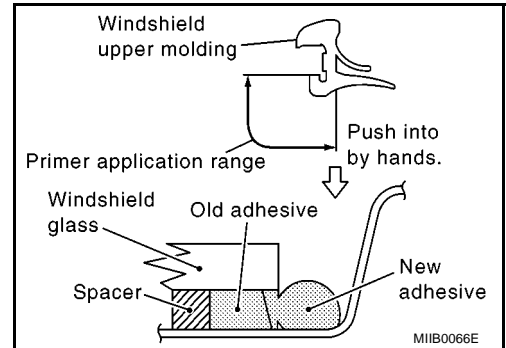
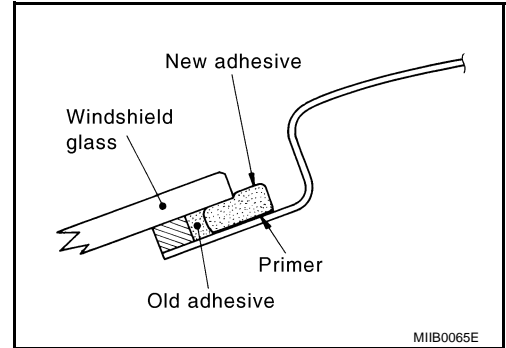
1. Apply primer between glass and panel then apply enough adhesive to allow molding adhesion.

NOTE:

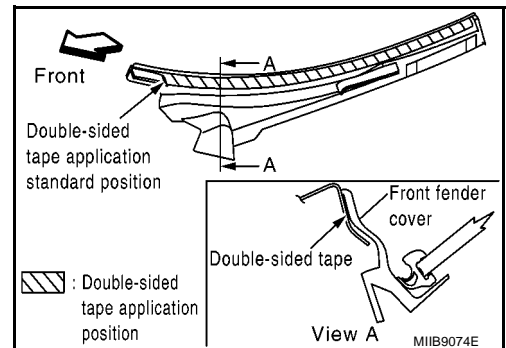
- The essential function of primers is to strengthen adhesion between glass and painted surface.
 - There are 2 types of primer. Never confuse the application methods.
Primer M ... for painted surfaces
Primer G ... for glass
 - If primer M overflows onto a painted surface other than bonding area, quickly remove it with white gasoline.
2. Apply primer to entire perimeter of molding area shown in the figure.
 3. Align molding positioning mark (center of molding: white) with glass top edge center spacer positioning mark, push in so that molding's lower chin hooks onto glass, then continuing pushing toward the outside.

CAUTION:

After installing molding, make sure there are no non-standard conditions, such as a lip sticking out or wave in molding.



4. Remove protective tape.
5. Remove double-sided tape from front fender cover and apply primer (Sumitomo 3M K520) to double-sided tape application position shown in the figure. Then apply new double-sided tape and install front fender.



6. Install cowl top cover. Refer to [EI-12, "COWL TOP"](#).

DOOR OUTSIDE MOLDING

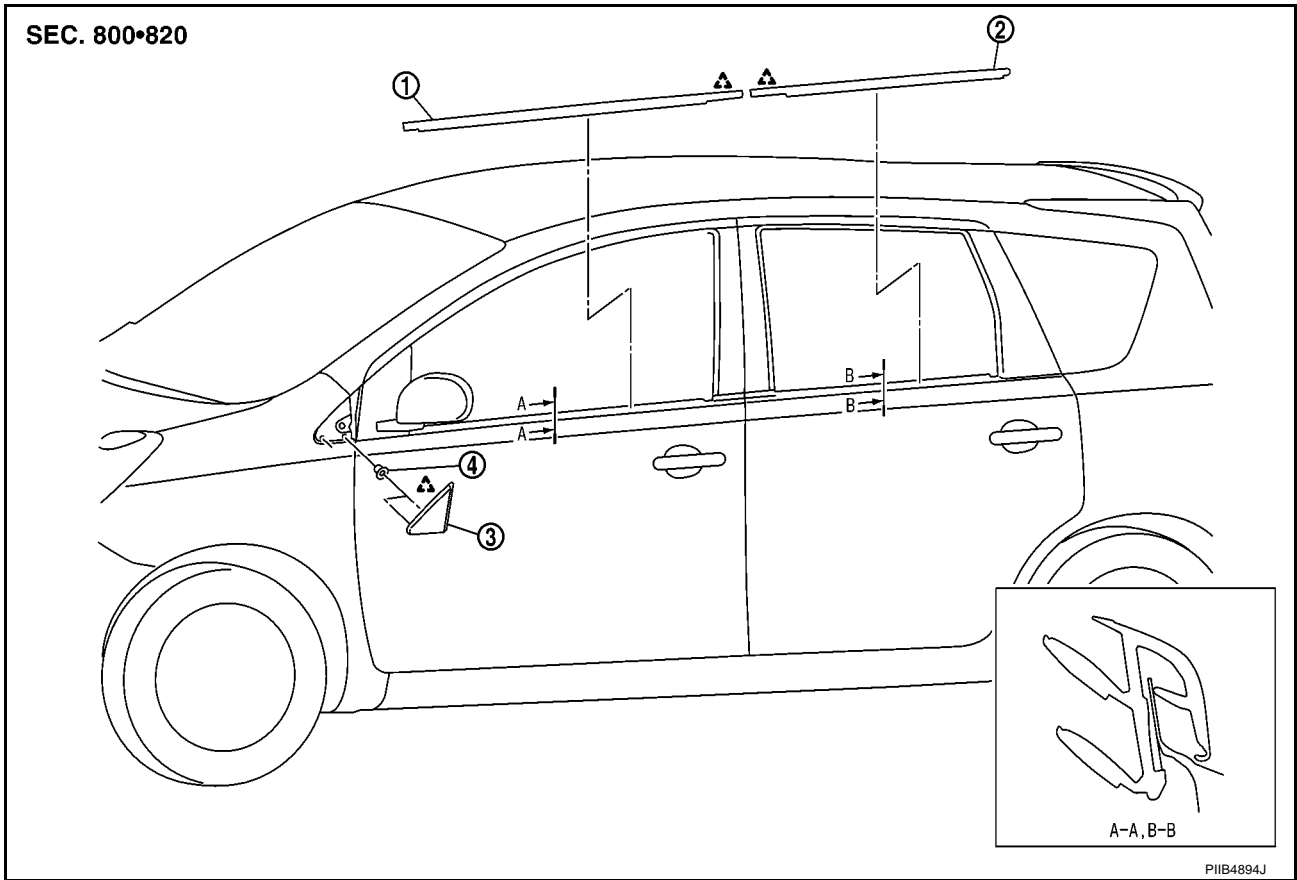
DOOR OUTSIDE MOLDING

PF0:82820

Removal and Installation

B/S0007H

A
B
C
D
E
F
G
H
EI
J
K
L
M



- 1. Front door outside molding
- 2. Rear door outside molding
- 3. Front fender finisher

- 4. Grommet

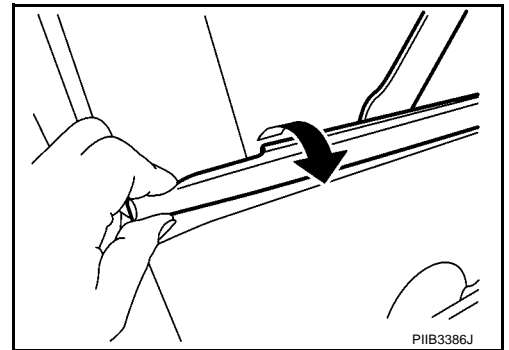
 : Plastic clip

REMOVAL

1. Fully open the door glass.
2. Take the door outside molding end by fingers and pull to disengage the plastic clip from the door outer panel. Insert a clip remover between the door outer panel and outside molding end if there is a risk to deform the door outside molding.
3. Pull upward to remove the door outside molding from the door outer panel.

CAUTION:

After removal, visually inspect molding, and if it is deformed, replace it with a new one.



INSTALLATION

Install in the reverse order of removal.

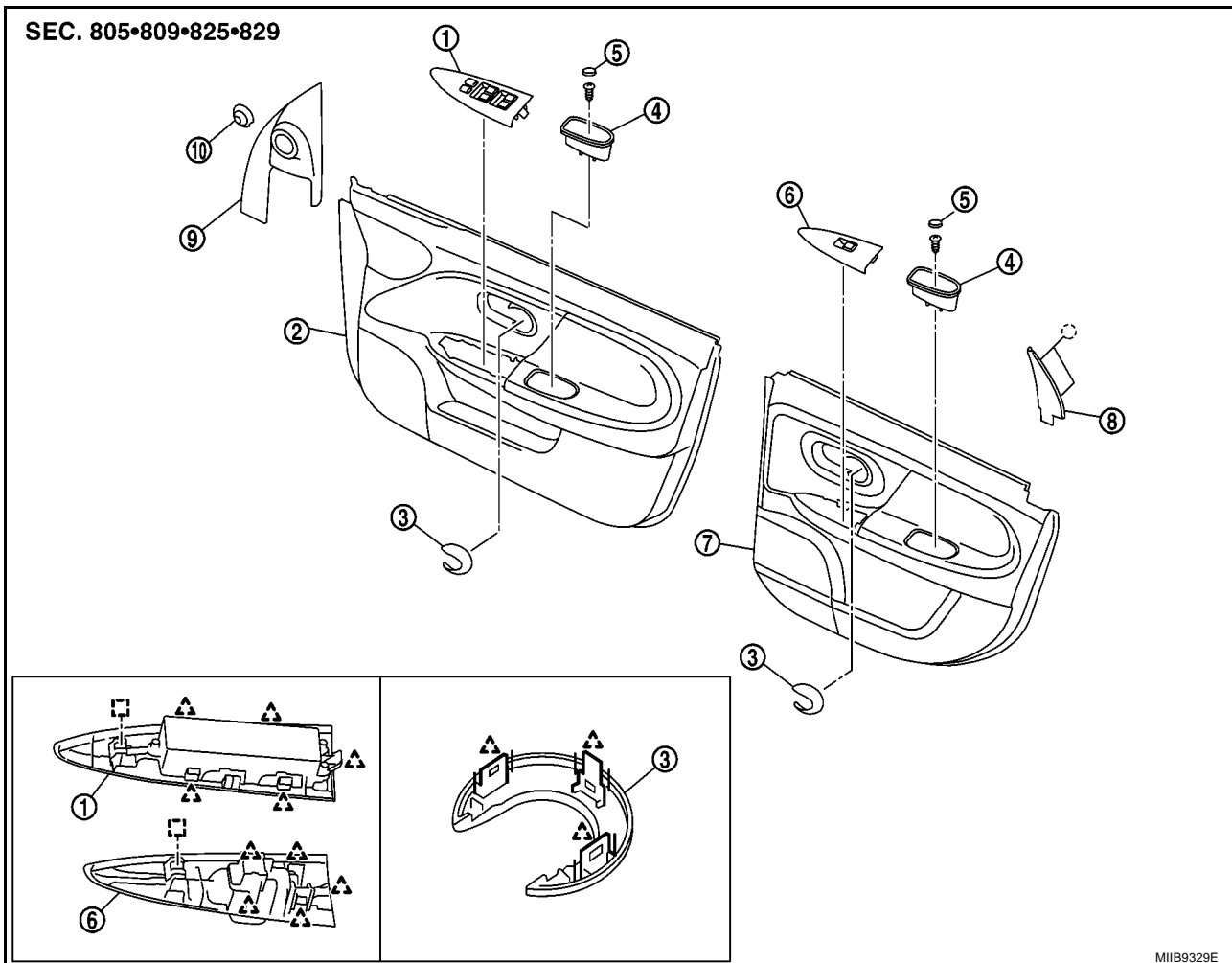
DOOR FINISHER

DOOR FINISHER

PF:80900

Removal and Installation

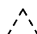
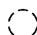
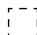
BIS000TJ



MIB9329E

- | | | |
|--|---------------------------|---|
| 1. Power door switch finisher (front door) | 2. Front door finisher | 3. Inside handle escutcheon |
| 4. Pull handle | 5. Pull handle cap | 6. Power door switch finisher (rear door) |
| 7. Rear door finisher | 8. Rear door corner cover | 9. Front door corner cover* |
| 10. Dust cover* | | |

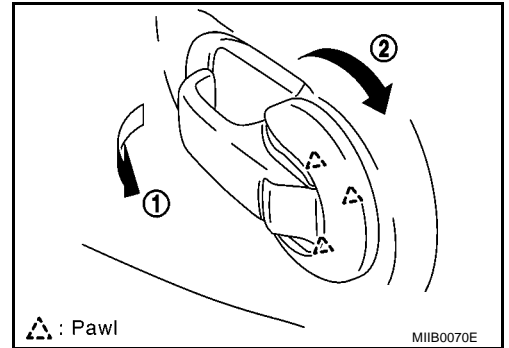
*: Refer to GW section

-  : Pawl
-  : molded clip
-  : Metal clip

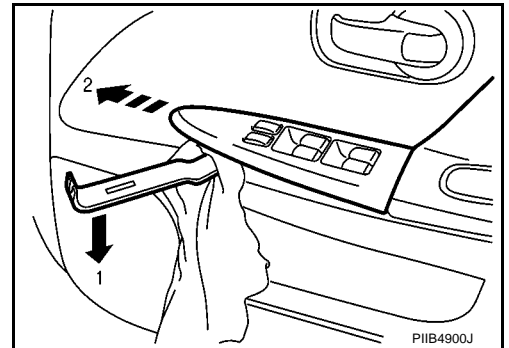
DOOR FINISHER

REMOVAL

1. Fully open door glass.
2. Pull up inside handle lever, and then spread inside handle escutcheon top and bottom to release top and bottom hooks.
3. Slide inside handle escutcheon backwards, disengage bottom, and remove from door finisher.



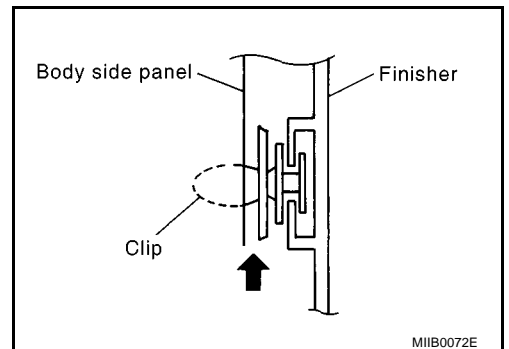
4. Insert a clip remover wrapped with tape into back of power window switch finisher, hold up the back end, and disengage metal clips.
5. Hold up front side, remove inserted area, and remove. Pull back rear side, remove inserted area, and remove.
6. Separate the power window switch finisher back harness connector and remove it.



7. Remove door pull handle cap and screw.
8. Remove front door corner cover. Refer to [GW-101, "Removal and Installation"](#).
9. Insert clip driver or clip clamp remover into door finisher back clip and remove clip.

NOTE:

Insert a clip driver or clip clamp remover into the part shown by the arrow (between the body side panel and the clips). Remove finisher.



10. Pull door finisher upwards to remove it from door panel.

INSTALLATION

Note the following, and install in the reverse order of removal.

CAUTION:

When installing finisher, confirm clips are accurately aligned with the holes on body side panel, then press in.

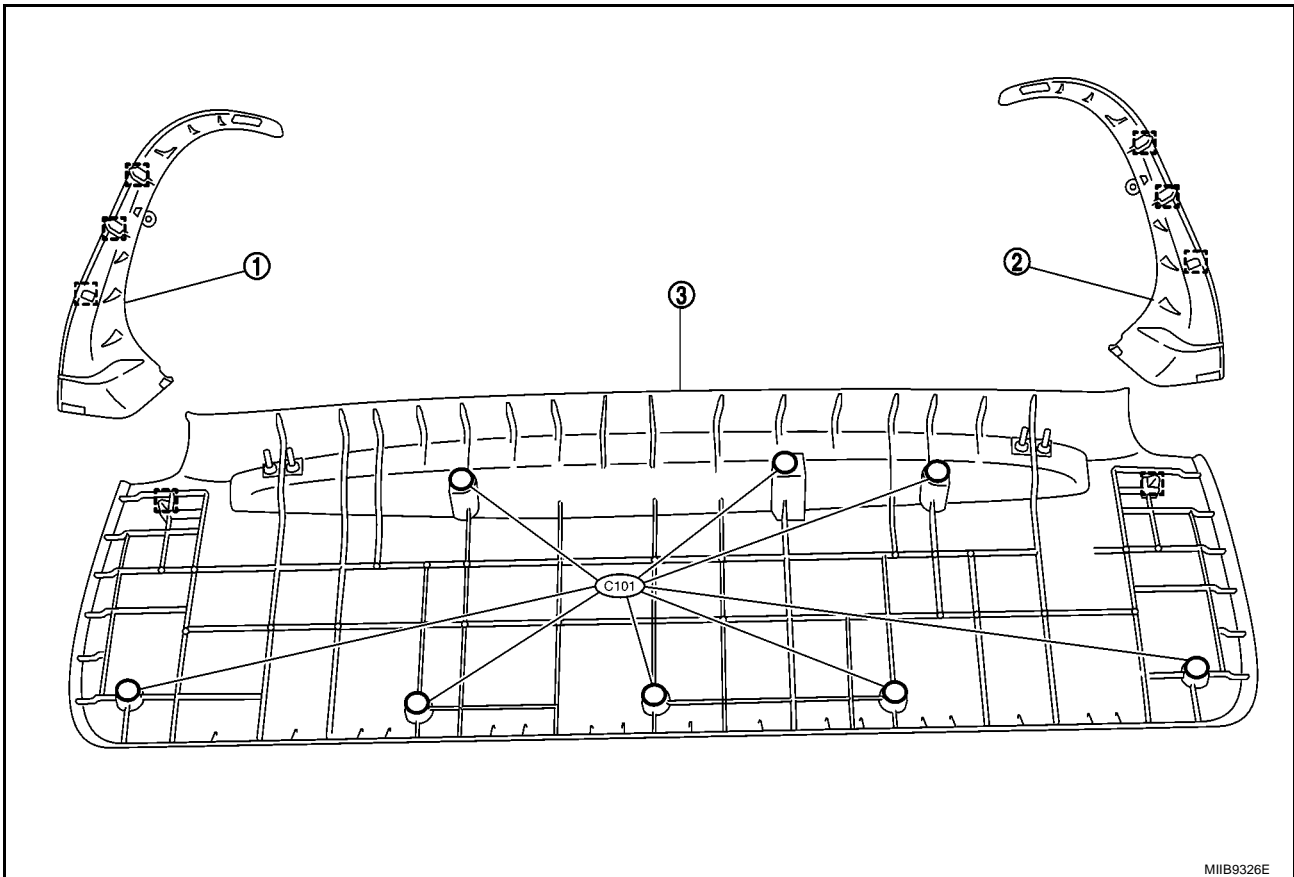
BACK DOOR TRIM

PFP:90900

BACK DOOR TRIM

Removal and Installation

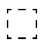
B/S0007K



1. Back door side finisher LH

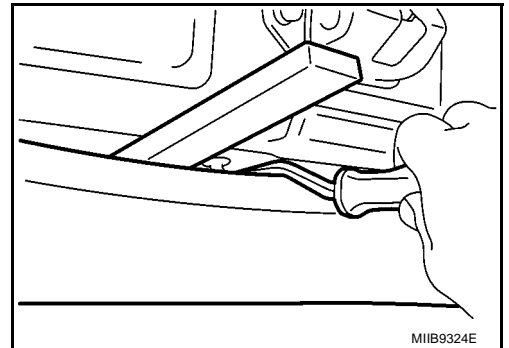
2. Back door side finisher RH

3. Back door finisher

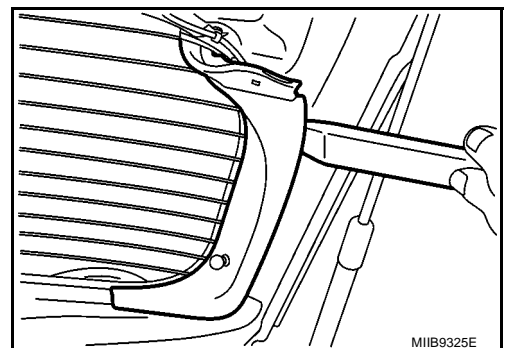
 : Metal clip

REMOVAL

1. Insert a suitable tool between the back door inner panel and back door finisher, to access to mountings clips.
2. Using a clip remover, remove clips from the back door panel.
3. Disengage metal clips from the back door panel and remove back door finisher, and separate back door finisher from back door side finisher LH and RH.



4. Insert a suitable tool between the back door inner panel and back door side finisher and to disengage metal clips.
5. Remove back door side finisher.



BACK DOOR TRIM

INSTALLATION

Note the following, and install in the reverse order of removal.

CAUTION:

When installing, confirm clips are accurately aligned with the holes on body side panel, then press in.

A

B

C

D

E

F

G

H

EI

J

K

L

M

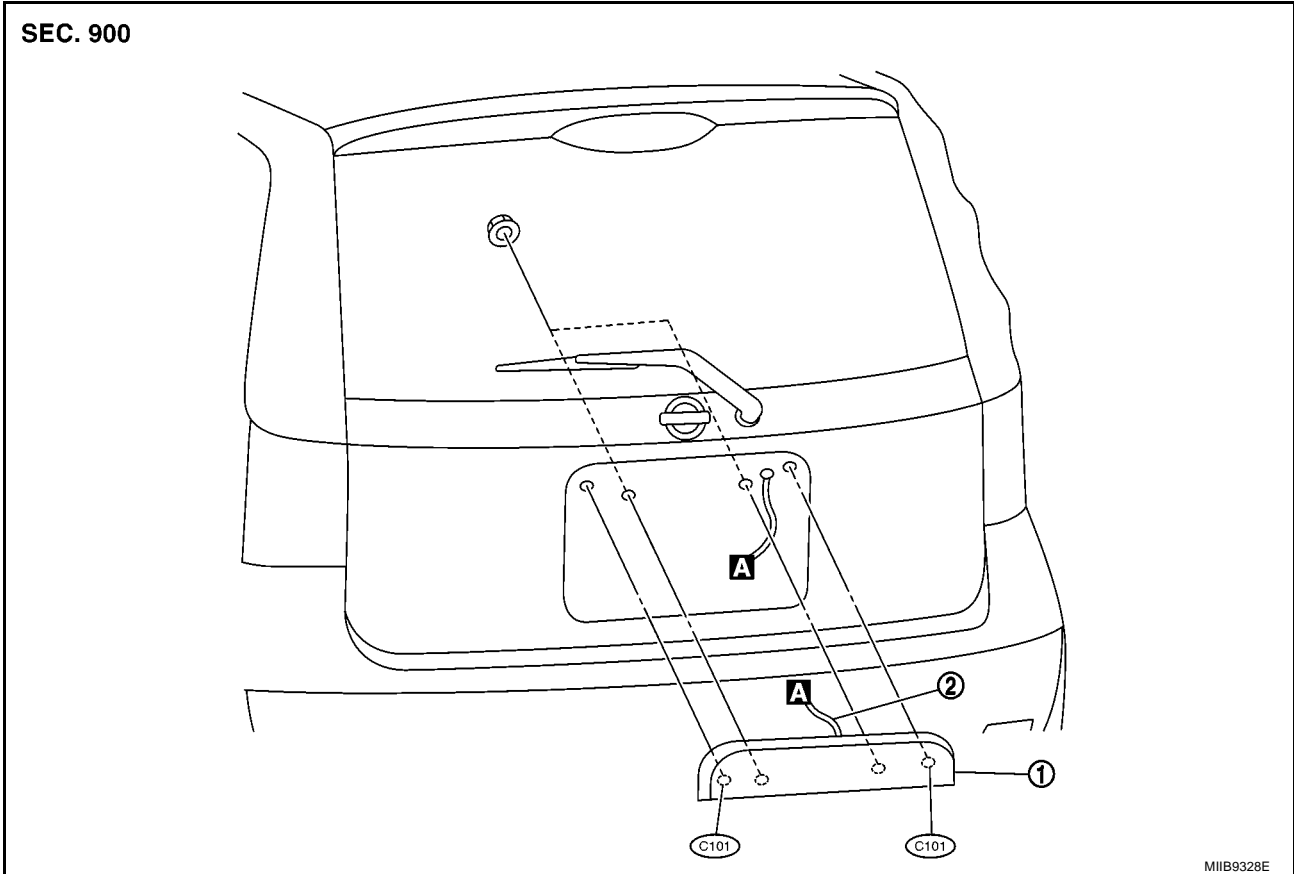
LICENSE PLATE FINISHER

LICENSE PLATE FINISHER

PFP:84810

Removal and Installation

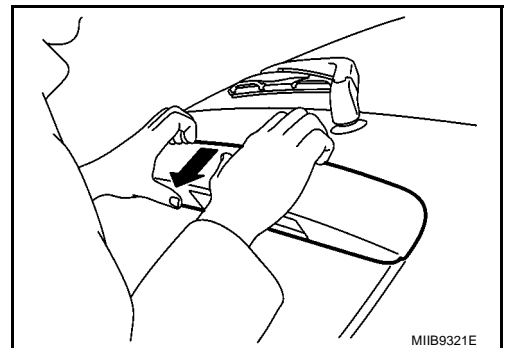
BIS00150



1. License plate finisher
2. License plate lamp and back door switch actuator harness

REMOVAL

1. Remove the back door finisher. Refer to [EI-22, "BACK DOOR TRIM"](#).
2. Remove nuts securing the license plate finisher to the back door panel.
3. Pull the license plate finisher to downward direction to disengage fixing clips from the back door panel.

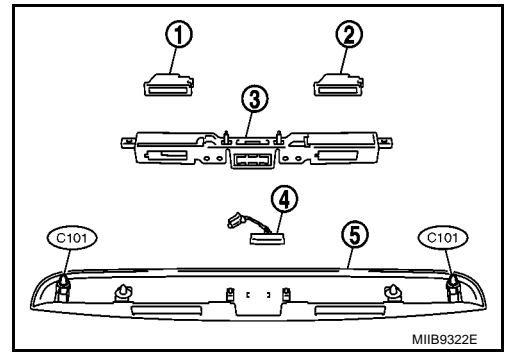


LICENSE PLATE FINISHER

4. Release license plate lamp LH (1) and RH (2) from holder (3), and disconnect harness connector.
5. Remove screws securing the holder to the license plate finisher (5) and disconnect back door lock switch actuator (4).
6. Separate license plate lamp and back door switch actuator harness from the holder.

NOTE:

For easier installation, locate the position of harness and component.



INSTALLATION

Install in the reverse order of removal, paying attention to following points:

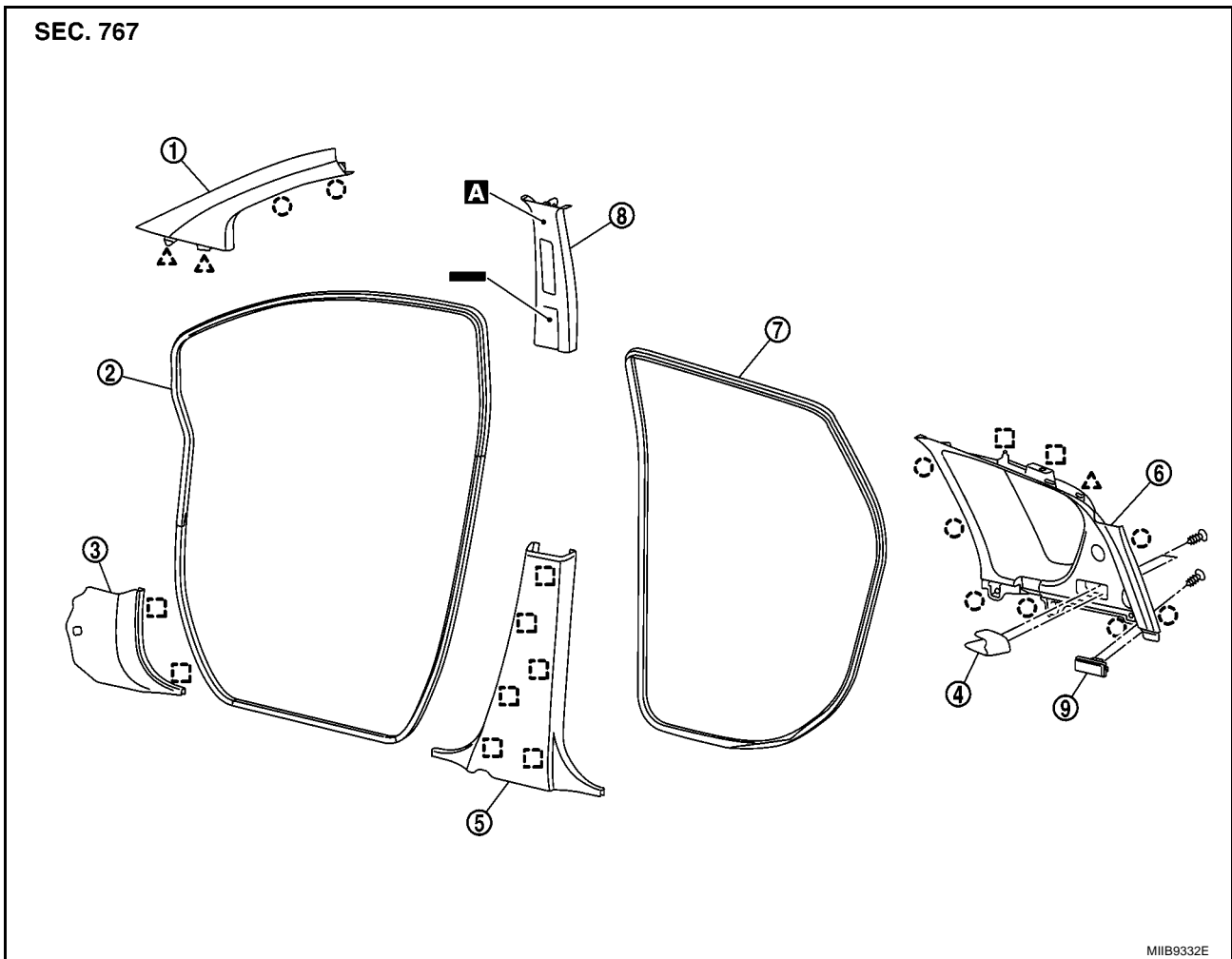
- Before installation of back door finisher, close the back door and check the correct operation of back door lock switch actuator.
- Check the correct operation of license plate lamp LH and RH.

A
B
C
D
E
F
G
H
EI
J
K
L
M

BODY SIDE TRIM

Removal and Installation

BIS0007N



- | | | |
|-----------------------------|--------------------------------|----------------------------|
| 1. Front pillar garnish | 2. Front body side welt | 3. Dashboard side finisher |
| 4. Rear parcel shelf holder | 5. Center pillar lower garnish | 6. Rear pillar garnish |
| 7. Rear body side welt | 8. Center pillar upper garnish | 9. Ledge |

- : Insertion
- △ : Pawl
- : Plastic clip
- : Metal clip
- A : Refer to text

REMOVAL

Front Body Side Welt

Remove front body side welt from vehicle.

Dashboard Side Finisher

1. Remove front body side welt from vehicle.
2. Pull dash side finisher slanted backwards to remove it.

Front Pillar Garnish

1. Remove partially front body side welt.
2. Remove the mounting clips, pull the front pillar garnish from inside the passenger room, and remove it.

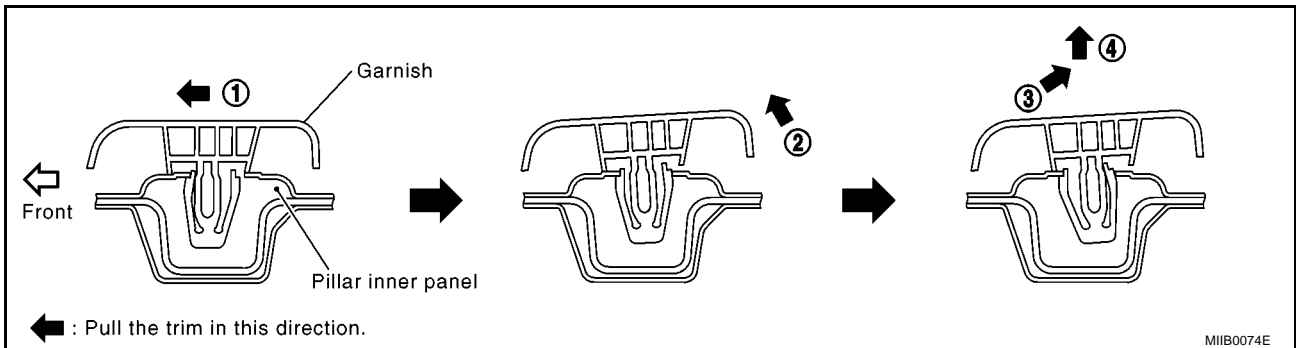
BODY SIDE TRIM

Center Pillar Lower Garnish

1. Remove partially front and rear body side welt.
2. Spread the area engaged in the center pillar flange, remove front side first and then remove rear side in the same manner.

Center Pillar Upper Garnish

1. Remove partially front and rear body side welt.
2. Remove center pillar lower garnish.
3. Remove front seat belt shoulder anchor. Refer to [SB-3, "Removal and Installation of Front Seat Belt"](#) .
4. Pull center pillar upper garnish from inside passenger room, disengage clips as instructed in the figure, and remove garnish from vehicle.



Rear Pillar Garnish

1. Remove partially rear body side welt.
2. Remove Luggage side finisher. Refer to [EI-33, "Luggage Side Finisher"](#) .
3. Remove rear seat belt upper anchor. Refer to [SB-4, "Removal and Installation of Rear Seat Belt"](#) .
4. Release clips and remove rear pillar garnish.

INSTALLATION

Install in the reverse order of removal.

REAR PARCEL SHELF FINISHER

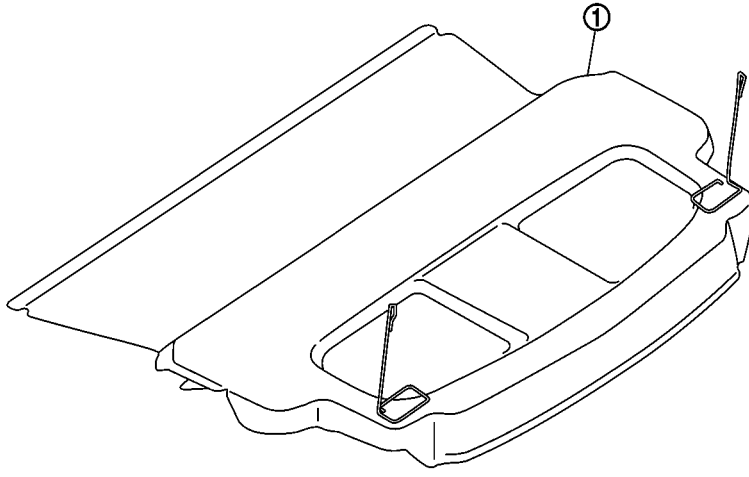
REAR PARCEL SHELF FINISHER

PFP:79910

Component Parts Location

BIS0015D

SEC. 790



MIIB9334E

1. Rear parcel shelf finisher

FLOOR TRIM

FLOOR TRIM

PPF:74902

Removal and Installation

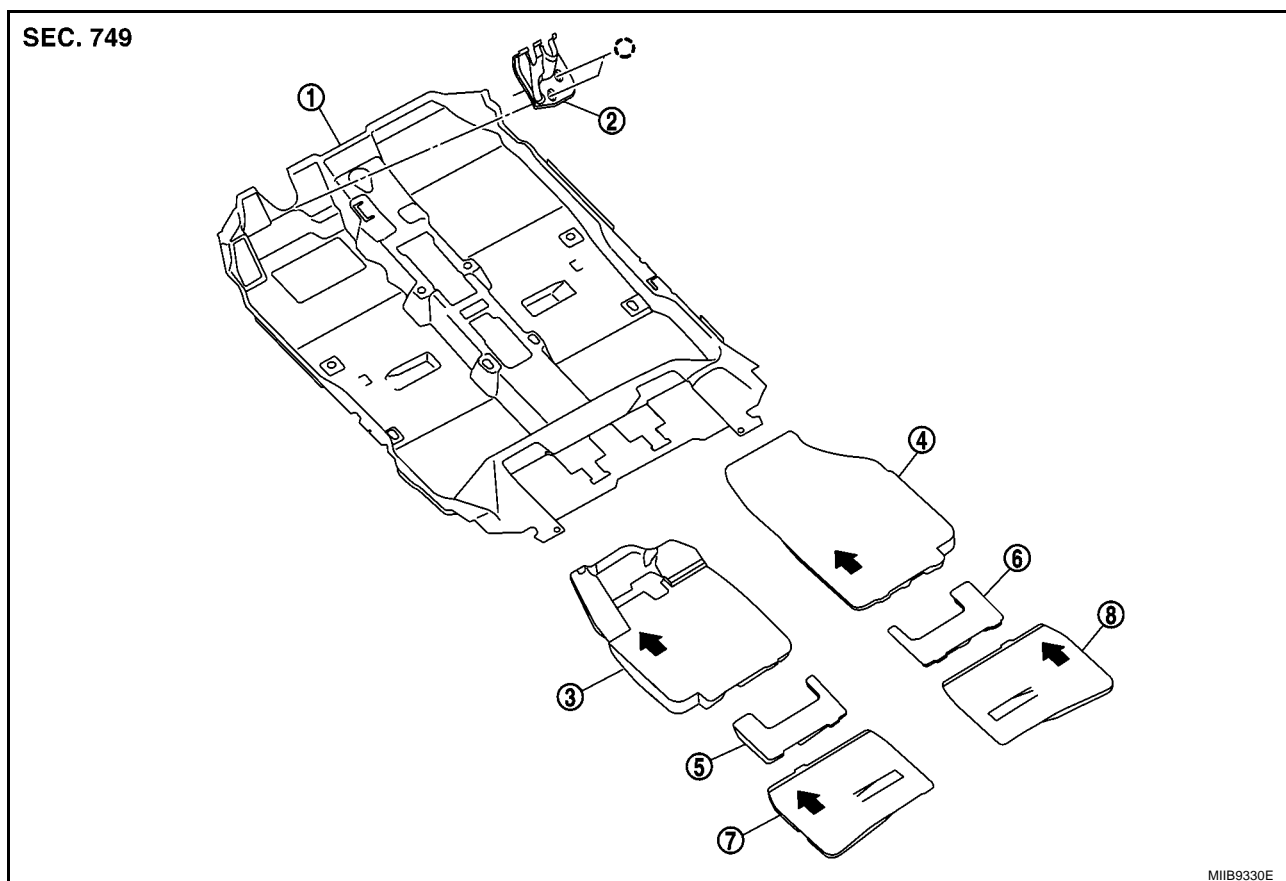
BIS0007Q

A
B
C
D
E
F
G
H

EI

J
K

L
M



- | | | |
|--------------------------|--------------------------------|--------------------------|
| 1. Floor carpet | 2. Steering column shaft cover | 3. Front floor spacer LH |
| 4. Front floor spacer RH | 5. Front floor center LH | 6. Front floor center RH |
| 7. Rear floor spacer LH | 8. Rear floor spacer RH | |

○ : Clip

REMOVAL

1. Remove front seats (LH/RH) and rear seat cushion. Refer to [SE-7, "FRONT SEAT"](#) and [SE-12, "REAR SEAT"](#) in SE section.
2. Remove center console. Refer to [IP-13, "Removal And Installation"](#) in IP section.
3. Remove air bag sensor unit harness connector and harness clips. Refer to [SRS-48, "DIAGNOSIS SENSOR UNIT"](#) in SRS section.
4. Remove instrument panel stay cover. Refer to [IP-5, "Removal and Installation"](#) in IP section.
5. Remove center pillar lower garnish (LH/RH). Refer to [EI-26, "Removal and Installation"](#) in EI section.
6. Remove partially body side welts (LH/RH).
7. Remove dash side finishers (LH/RH). Refer to [EI-26, "BODY SIDE TRIM"](#) in EI section.
8. Remove carpet hook.
9. Remove floor carpet from vehicle.

INSTALLATION

Install in the reverse order of removal.

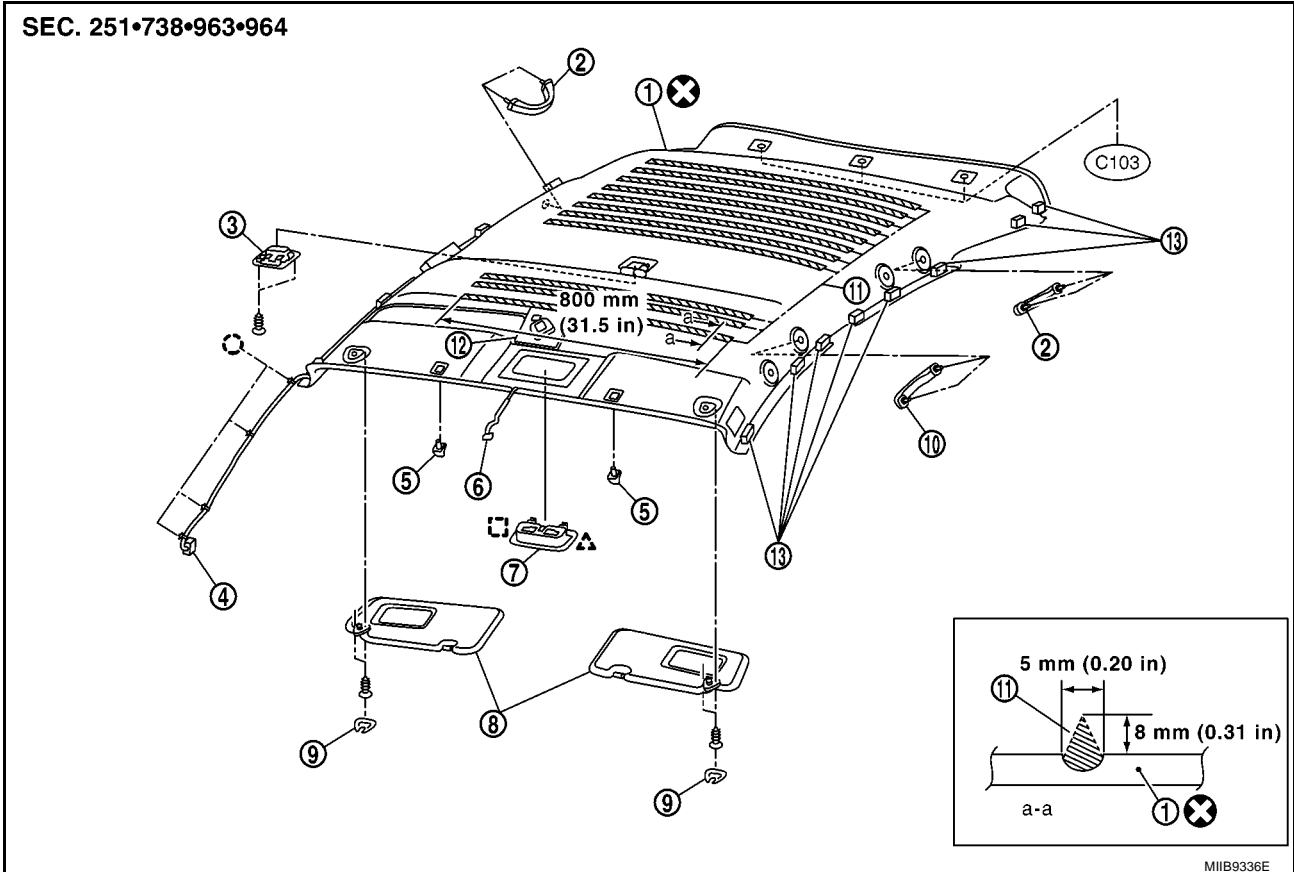
HEADLINER

PFP:73910

HEADLINER

Removal and Installation

BIS0007R



- | | | |
|-----------------|--------------------|-------------------------------------|
| 1. Headliner | 2. Assist grip | 3. Room lamp |
| 4. Room harness | 5. Sunvisor holder | 6. Harness |
| 7. Room lamp | 8. Sunvisor | 9. Cap |
| 10. Assist grip | 11. Adhesive | 12. Microphone spacer (if equipped) |
| 13. Spacer | | |

△ : Pawl

○ : Plastic clip

□ : Metal clip

⊗ : Always replace after every disassembly

REMOVAL

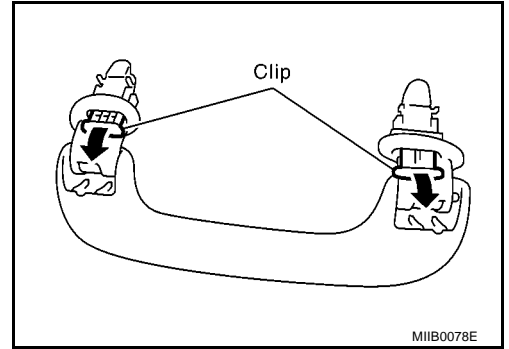
1. Remove front pillar garnish. Refer to [EI-26, "BODY SIDE TRIM"](#) in EI section.
2. Remove back door weatherstrip.
3. Remove luggage side upper finishers (LH/RH). Refer to [EI-32, "LUGGAGE FLOOR TRIM"](#) in EI section.
4. Remove center pillar upper garnish (5-door vehicles) and lock pillar upper garnish (3-door vehicles). Refer to [EI-26, "BODY SIDE TRIM"](#) in EI section.

HEADLINER

5. Remove assist grip.

NOTE:

When removing assist grip, insert a thin screwdriver, etc., into the clip and move the clip outside.



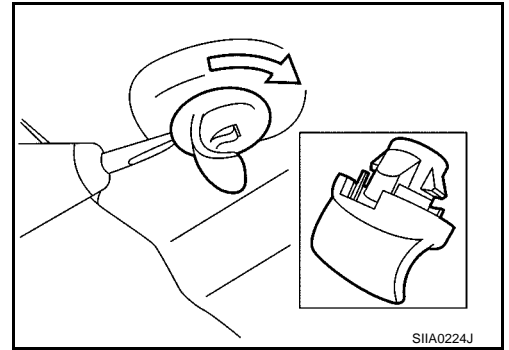
6. Remove sunvisors (LH/RH).

7. Remove room lamp (with map lamp function). Refer to [LT-171, "MAP LAMP, PERSONAL LAMP"](#).

8. Remove sunvisor holder.

NOTE:

Insert a screwdriver into the cutout and rotate 90° to remove.

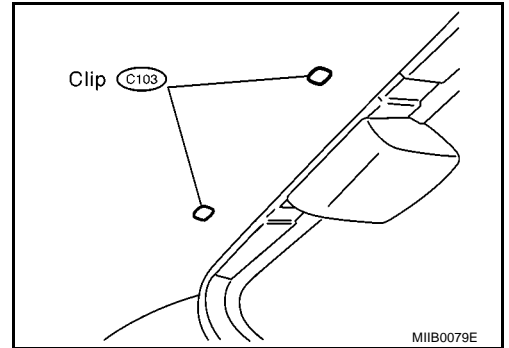


9. Remove vehicle rear clips.

10. Peel off headliner adhesive and remove headliner from back door opening.

CAUTION:

The roof panel could be deformed, so do not strongly pull the headliner.

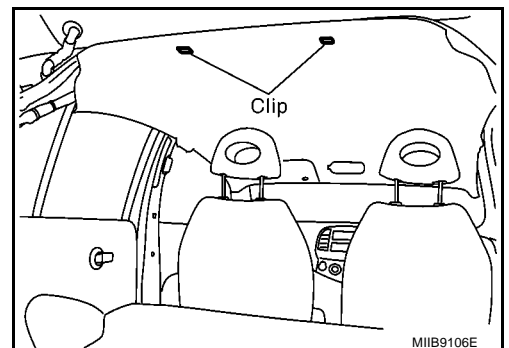


INSTALLATION

1. Remove any adhesive left on the vehicle side.
2. Apply adhesive to headliner.

Adhesive: Yokohama Rubber Hammer Tight
YM-21, or BETAMATE 7138

3. Move front seats (LH/RH) toward front of vehicle, and fix headrests (LH/RH) in top position.
4. Place the headliner front section on the headrest and fasten the headliner rear section with the clips.
5. After installing sunvisor holder, install in the reverse order of removal.



A
B
C
D
E
F
G
H
EI
J
K
L
M

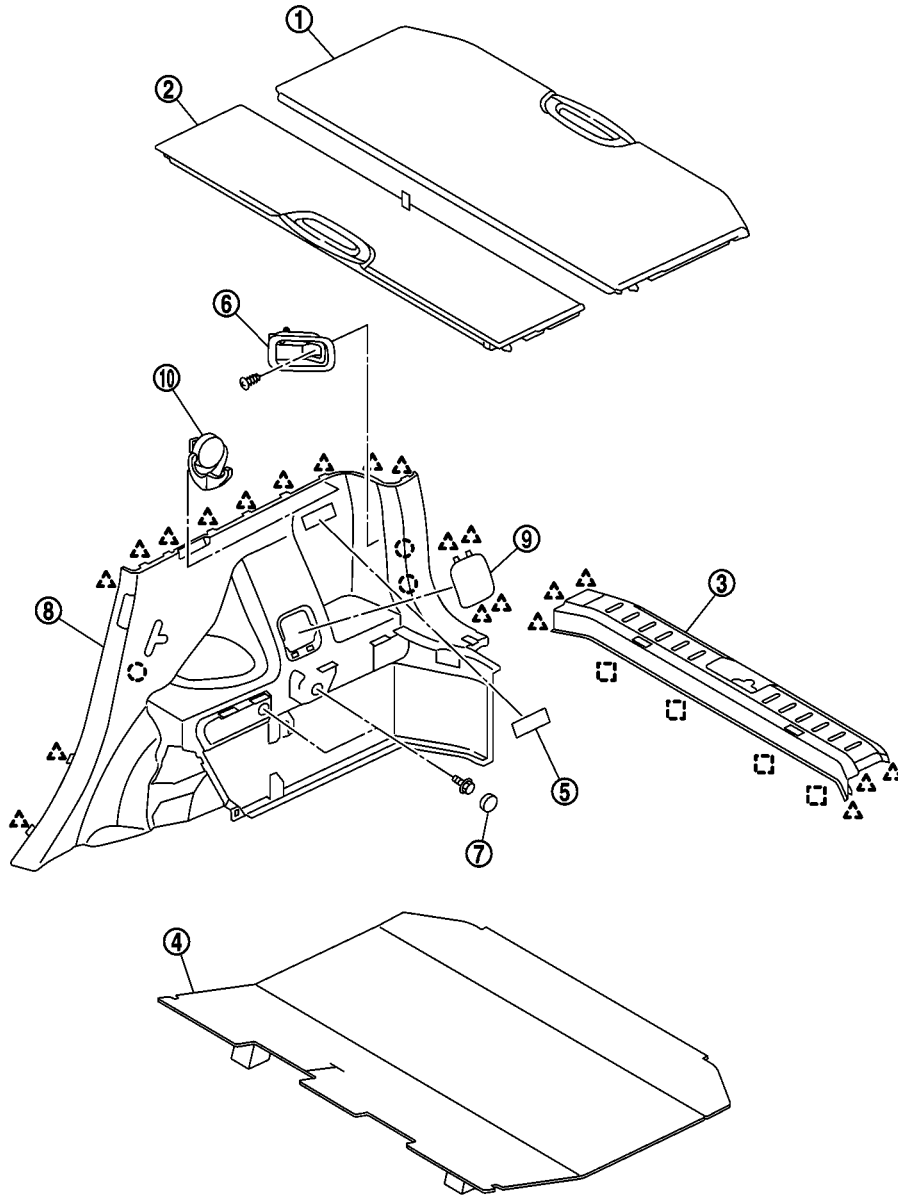
LUGGAGE FLOOR TRIM

PFP:84999

BIS000TW



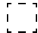
LUGGAGE FLOOR TRIM Removal and Installation

SEC. 849



MIB9331E

- | | | |
|-------------------------|--------------------------|----------------------------|
| 1. Luggage floor lid RR | 2. Luggage floor lid FR | 3. Luggage rear kick plate |
| 4. Luggage floor carpet | 5. Trunk room lamp | 6. Rope hook |
| 7. Cap | 8. Luggage side finisher | 9. Mask |
| 10. Hook | | |

-  : Pawl
-  : Plastic clip
-  : Metal clip

LUGGAGE FLOOR TRIM

REMOVAL

Luggage Side Finisher

1. Remove rear parcel shelf. Refer to [EI-28, "REAR PARCEL SHELF FINISHER"](#) .
2. Remove luggage floor lid FR and RR.
3. Remove luggage floor carpet.
4. Remove luggage rear plate. Refer to [EI-33, "Luggage Rear Kickplate"](#) .
5. Remove cigar lighter (if equipped) and disconnect harness connector.
6. Remove Trunk room lamp. Refer to [LT-172, "LUGGAGE ROOM LAMP"](#) .
7. Remove cap and remove bolts securing the luggage side finisher to the rear fender inner panel.
8. Remove hook and rope hook.
9. Remove plastic clips securing the luggage side finisher to rear fender inner panel.
10. Remove metal clips securing the luggage side finisher to rear fender inner panel.
11. Separate the luggage side finisher from the rear pillar garnish.
12. Remove luggage side finisher.

Luggage Rear Kickplate

1. Remove rear parcel shelf finisher.
2. Remove luggage floor lid FR and RR.
3. Remove partially back door weather strip.
4. Remove luggage side finisher.
5. Remove luggage rear kickplate.

INSTALLATION

Install in the reverse order of removal.

A

B

C

D

E

F

G

H

EI

J

K

L

M

LUGGAGE FLOOR TRIM
