

MIRRORS - POWER

1992 Infiniti G20

1992 SAFETY EQUIPMENT
Infiniti Power Mirrors

G20, M30, Q45

DESCRIPTION & OPERATION

Power side view mirror system consists of two foldable mirror heads with actuators and remote dual control switch. Q45 incorporates an electronic heating element for mirror glass defogging. Control switch on all models has two switches. Left/Right switch directs power to desired mirror. Horizontal/Vertical switch directs power to actuator motors for up/down and left/right (in/out) movement of mirror. Control switch is located left of steering column on G20 and Q45. On M30, control switch is located on driver's door. On Q45, defogger switch and indicator lamp is located on left side of control switch.

TESTING

POWER MIRROR SWITCH TEST

With ignition switch in ON or ACC position, check continuity between specified terminals. See POWER MIRROR SWITCH CONTINUITY TEST table. For terminal numbers and wire colors, see Fig. 1, 2 or 3. Before performing following tests, ensure circuit ground, circuit harness wiring and circuit fuse are okay. Check that all circuit connections are clean and tight.

POWER MIRROR SWITCH CONTINUITY TEST TABLE

Application	Terminals
Left Mirror	
Off & Neutral
Right	1 & 2; 3 & 6
Left	1 & 6; 2 & 3
Up	1 & 7; 2 & 3
Down	1 & 2; 3 & 7
Right Mirror	
Off & Neutral
Right	1 & 2; 3 & 4
Left	1 & 4; 2 & 3
Up	1 & 5; 2 & 3
Down	1 & 2; 3 & 5

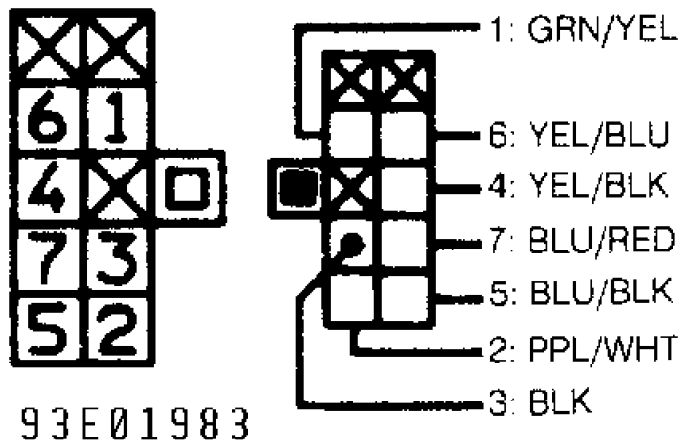


Fig. 1: Power Door Mirror Switch Connector (G20)
 Courtesy of Nissan Motor Co., U.S.A.

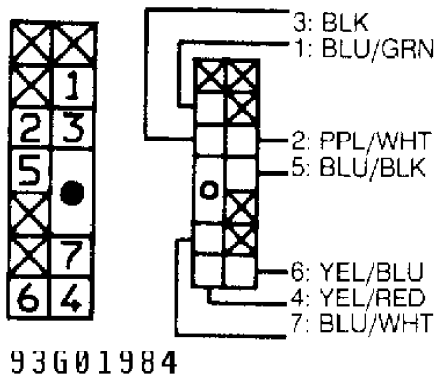
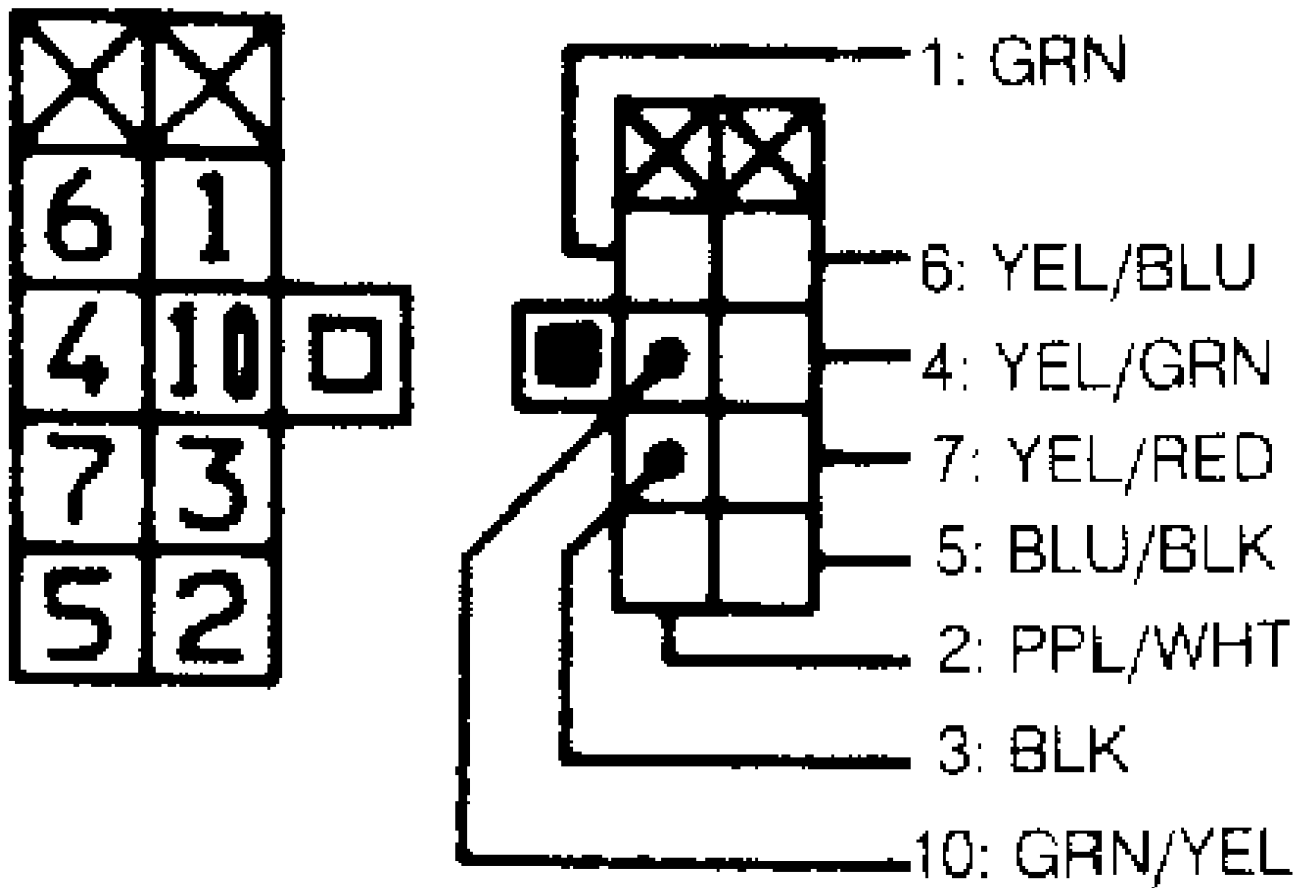


Fig. 2: Power Door Mirror Switch Connector (M30)
 Courtesy of Nissan Motor Co., U.S.A.



93J01985

Fig. 3: Power Door Mirror Switch Connector (Q45)
 Courtesy of Nissan Motor Co., U.S.A.

MIRROR DEFOGGER SWITCH TEST

MIRROR DEFOGGER SWITCH CONTINUITY TEST TABLE

Application	Terminals
Q45	
Defogger	
On	4 & 10
Indicator Lamp	1 & 10

MIRROR DEFOGGER ELEMENT TEST

Testing information is not available from manufacturer.

POWER MIRROR MOTOR TEST

Testing information is not available from manufacturer.

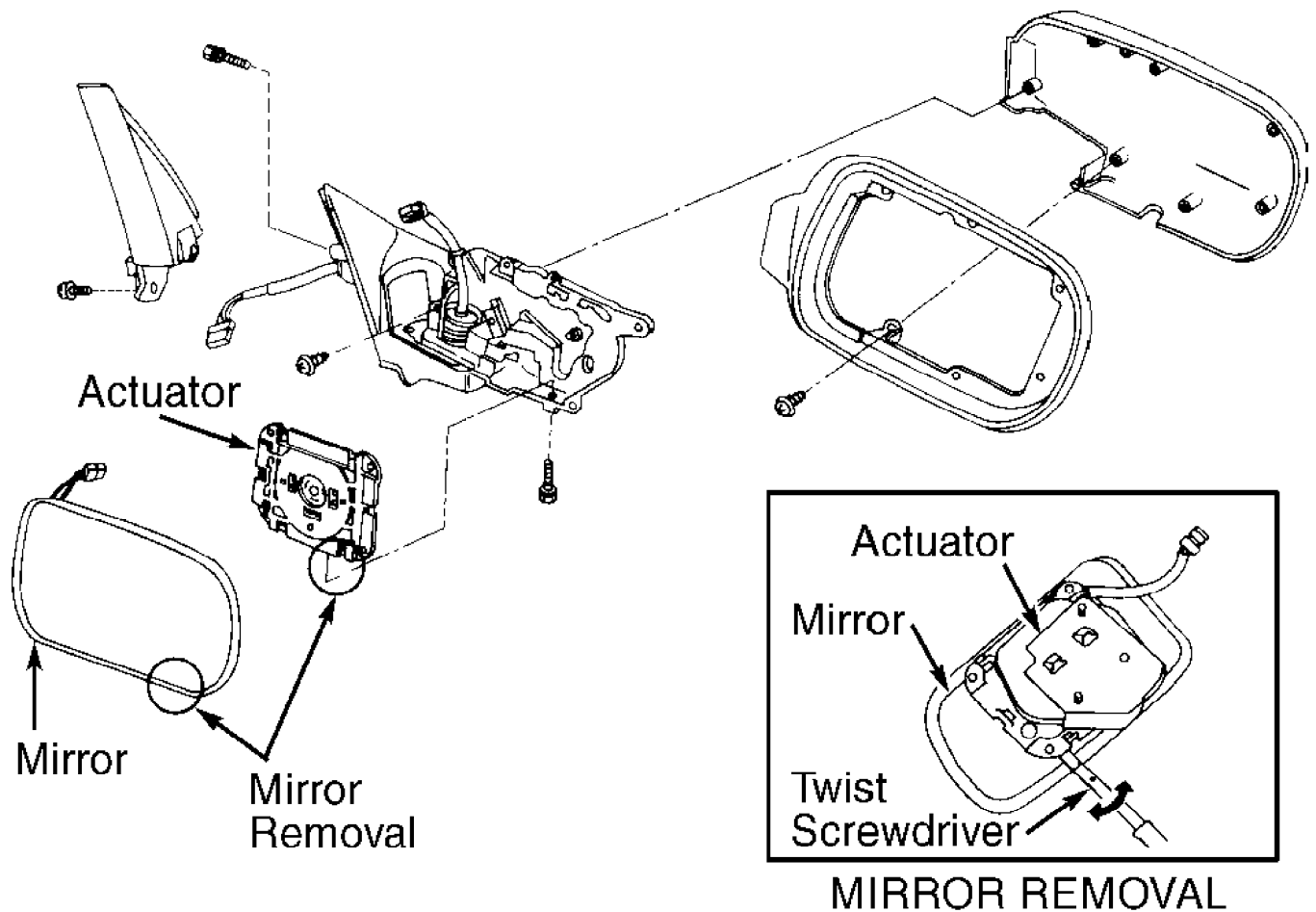
REMOVAL & INSTALLATION

POWER MIRROR ASSEMBLY

Remove door trim and inner front corner cover of door. Disconnect door mirror harness connector. Remove harness clips and retaining bolts. Remove mirror assembly. To install, reverse removal procedure. See Fig. 4, 5 or 6.

On G20 and Q45, separate mirror and actuator with screwdriver wrapped in cloth to prevent scratching back of mirror. To install, reverse removal procedure. See Fig. 4 or 6.

On M30, heat mirror base lip to temperature less than 140° F (60° C). Hold heat gun within 1.97-2.36" (50-60 mm) of mirror. Remove mirror, using care not to scratch back of mirror. To install mirror, heat base lip to temperature less than 140° F (60° C) and install mirror. See Fig. 5.



93B01986

Fig. 4: Door Mirror Removal (G20)
Courtesy of Nissan Motor Co., U.S.A.

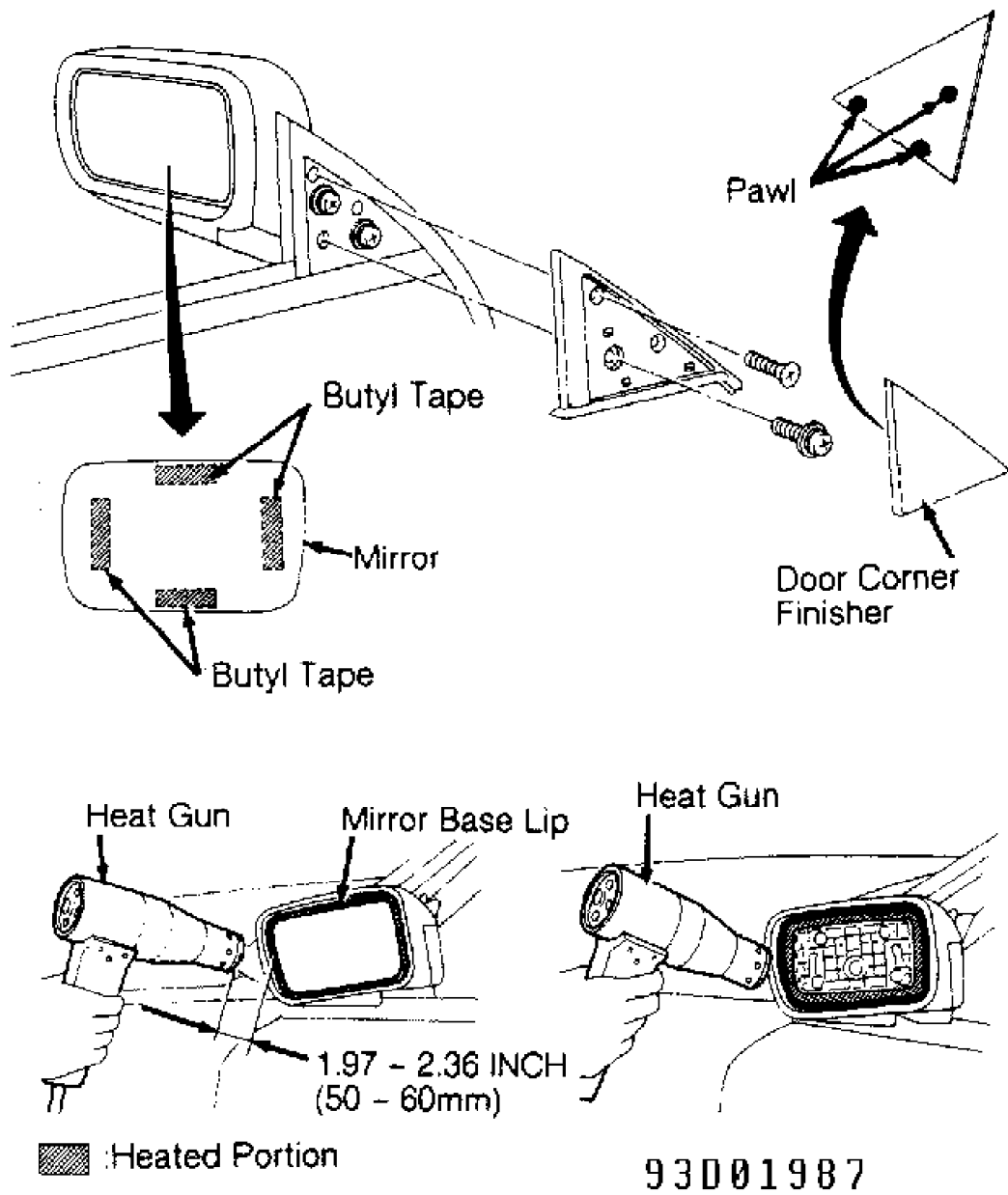
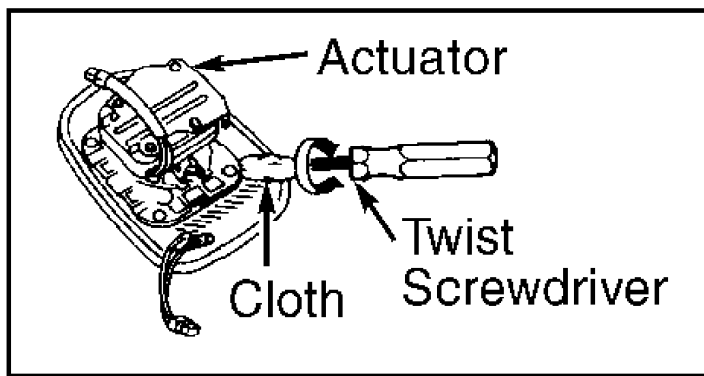
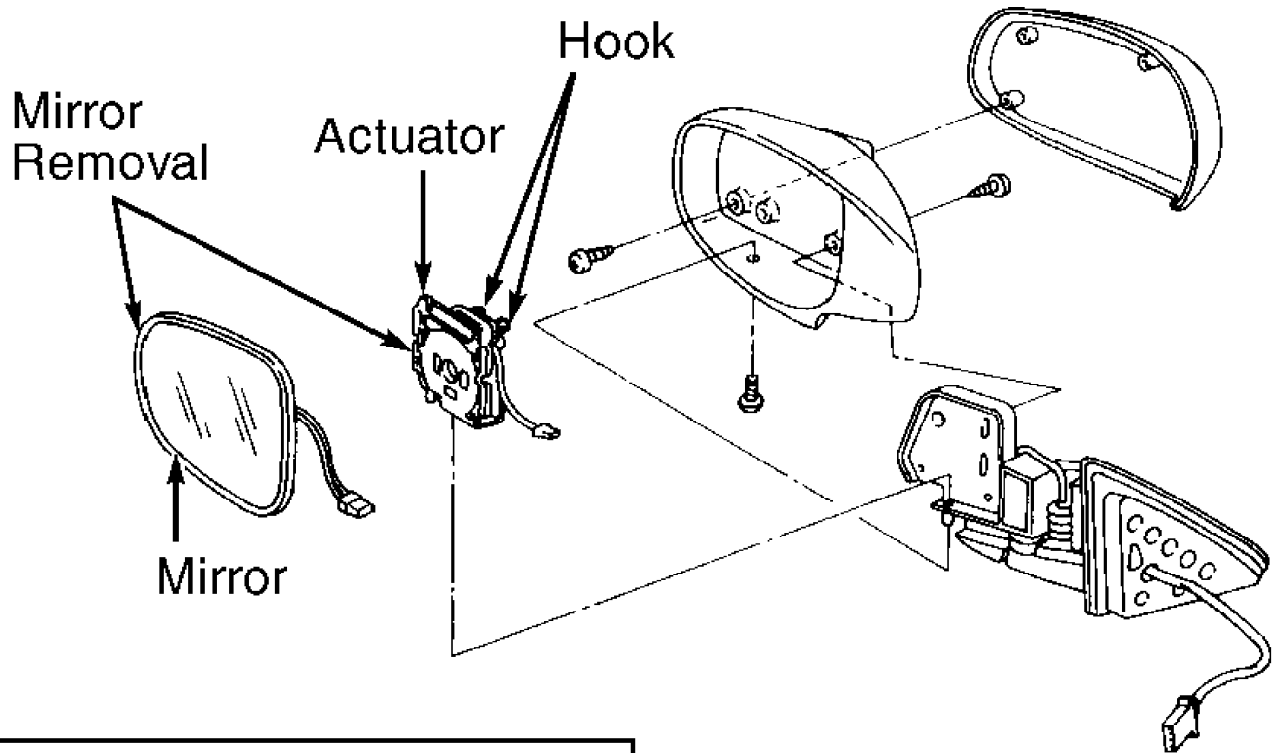


Fig. 5: Door Mirror Removal (M30)
 Courtesy of Nissan Motor Co., U.S.A.



93F01988

Fig. 6: Door Mirror Removal (Q45)
 Courtesy of Nissan Motor Co., U.S.A.

POWER MIRROR SWITCH

Removal and installation information is not available from manufacturer.

WIRING DIAGRAMS

See appropriate chassis wiring diagram in the WIRING DIAGRAMS Section.