

DATSUN 280Z
MODEL S30 SERIES

SECTION ER

ENGINE REMOVAL & INSTALLATION

ER

ENGINE REMOVAL AND
INSTALLATION ER- 2

SERVICE DATA AND
SPECIFICATIONS ER- 6



NISSAN MOTOR CO., LTD.
TOKYO, JAPAN

ENGINE REMOVAL AND INSTALLATION

CONTENTS

REMOVAL	ER-2	ENGINE MOUNTING INSULATORS	ER-5
INSTALLATION	ER-4	FRONT INSULATOR	ER-5
		REAR INSULATOR	ER-5

REMOVAL

It is much easier to remove engine and transmission as a single unit than to remove them separately. After removal, engine can be separated from transmission assembly.

But, take note of the following points. There are two types of exhaust systems—one for California models, with a catalytic converter as an emission device, and the other for non-California models without catalytic converter. In the California models the component parts of exhaust system become hotter than those of the non-California models. Therefore, you should not remove the engine until the exhaust system has completely cooled off.

Otherwise, you may burn yourself and/or fire may break out in fuel line.

1. Follow the below procedure to decrease pressure in fuel hose to zero. (This is the same operation as the removal of cold start valve described in Section EF.)

(1) Disconnect ground cable from battery.

(2) Disconnect ground lead wire (black) from fuel pump.

(3) Disconnect lead wire from S terminal of starter motor.

(4) Remove two screws securing cold start valve to intake manifold, and remove cold start valve.

(5) Connect ground cable to battery.

(6) Put cold start valve in a container of min. 20 cc (1.22 cu in) capacity. Turn ignition switch to START position, and release fuel line pressure. See Figure ER-1.

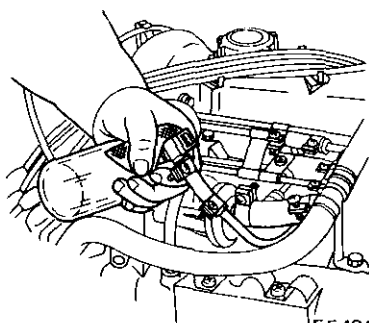


Fig. ER-1 Fuel injection from cold start valve

(7) To install cold start valve, reverse the removal procedure.

Notes:

- a. Be sure to hoist engine and jack up transmission in a safe manner.
- b. Fender covers should be used to prevent damaging car body.

2. Disconnect battery ground cable.

3. Remove hood as follows:

(1) Mark hood hinge locations on hood to facilitate proper reinstallation.

(2) Support hood by hand and remove bolts securing it to hood hinge, taking care not to let hood slip when bolts are removed.

(3) Remove hood from hood hinge with the help of an assistant. See Figure ER-2.

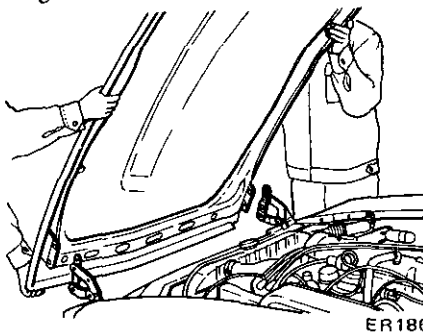


Fig. ER-2 Removing hood

4. Drain radiator coolant and engine oil.

5. Disconnect upper and lower hoses from radiator.

6. Remove air flow meter. See Figure ER-3.

7. Remove air duct clamps (rubber hose). See Figure ER-3.

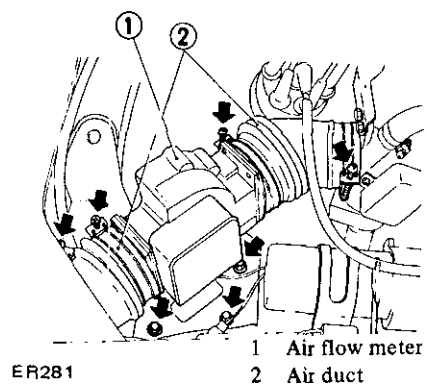


Fig. ER-3 Removing air flow meter

8. Remove air cleaner.

9. Disconnect hoses from canister and remove canister.

10. Remove radiator and shroud (if so equipped).

Notes:

On automatic transmission models:

- a. Remove splash board.
- b. Disconnect oil cooler hoses from oil cooler installed at lower end of radiator.
- c. Disconnect vacuum hose.

11. Disconnect accelerator linkage. See Figure ER-4.

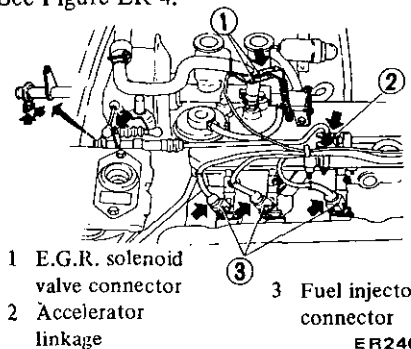
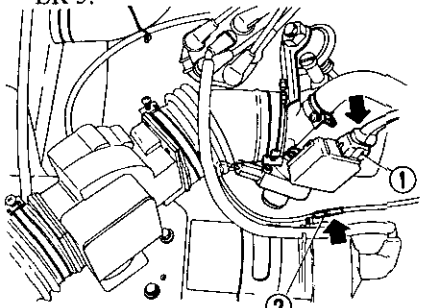


Fig. ER-4 Disconnecting accelerator linkage

12. Disconnect the following cables, wires and hoses:

- Engine ground cable at engine connection end
- Wires to starter motor
- Wire for E.G.R. solenoid valve and electric fuel injector. See Figure ER-4.
- Wire to throttle valve switch and B.C.D.D. solenoid valve. See Figure ER-5.



- 1 Throttle valve switch ER273
2 B.C.D.D. connector

Fig. ER-5 Disconnecting wire for throttle valve switch and B.C.D.D. solenoid valve

- High tension wire (between ignition coil and distributor)
- Wire to block terminal distributor harness. See Figure ER-6.

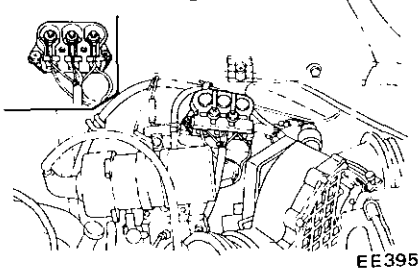
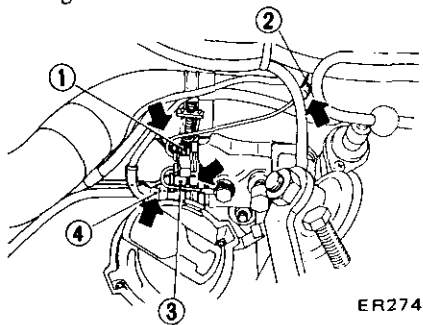


Fig. ER-6 Disconnecting wire for block terminal

- Wire to thermostat housing. See Figure ER-7.

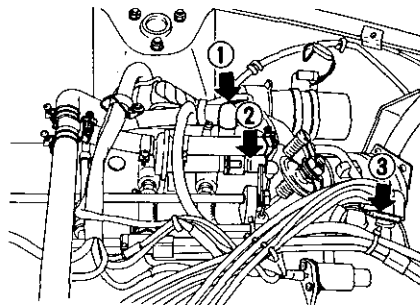


- 1 Thermal transmitter connector
2 Water temperature switch connector
3 Thermostat switch connector
4 Water temperature sensor connector

Fig. ER-7 Disconnecting wire for thermostat housing

- Wire for vacuum cutting solenoid (Manual transmission models), cold

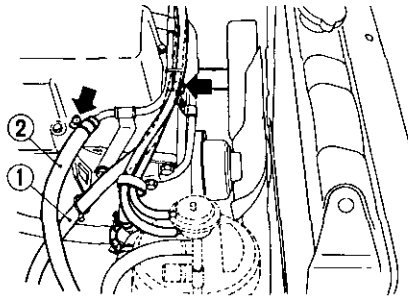
start valve and air regulator. See Figure ER-8.



- 1 Cold start valve connector ER275
2 Air regulator connector
3 Vacuum cutting solenoid valve connector

Fig. ER-8 Disconnecting wire for cold start valve and regulator

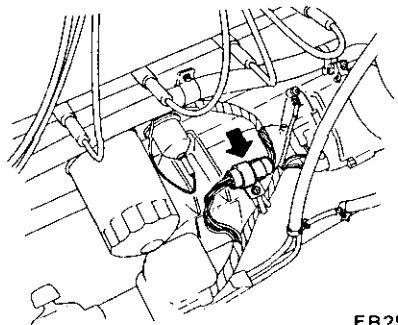
- Fuel return hose (1) and fuel charge hose (2). See Figure ER-9.



ER251

Fig. ER-9 Disconnecting fuel hoses

- Heater inlet and outlet hoses
- Vacuum hose to Master-Vac at intake manifold
- Wires to alternator
- Wires for oil pressure switch, backup lamp switch, neutral switch and top detecting switch. See Figure ER-10.



ER252

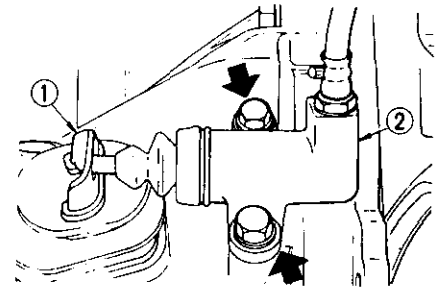
Fig. ER-10 Disconnecting connector

Note:

On automatic transmission models:

Disconnect wire at connections of inhibitor switch and downshift solenoid at wire connector.

13. Remove clutch operating cylinder (Manual transmission models). See Figure ER-11.



ER191

- 1 Withdrawal lever
2 Clutch operating cylinder

Tightening torque:

2.5 to 3.0 kg-m (18 to 22 ft-lb)

Fig. ER-11 Removing clutch operating cylinder

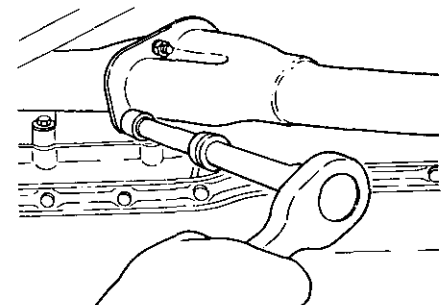
14. Disconnect speedometer cable from rear extension housing.

15. Remove center console. Refer to Section BF (Page BF-27) for removal. (Manual transmission only)

16. Remove C-ring and control lever pin from transmission striking rod guide, and remove control lever. (Manual transmission only)

(1) For car equipped with automatic transmission, disconnect selector range lever.

17. Disconnect exhaust front tube from exhaust manifold. See Figure ER-12.



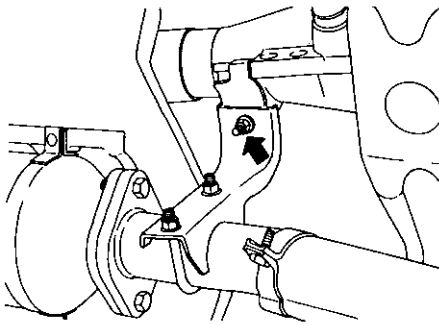
Tightening torque:

2.0 to 2.5 kg-m (14 to 18 ft-lb)

ER192

Fig. ER-12 Disconnecting exhaust front tube

18. Remove front tube bracket from rear extension housing. See Figure ER-13.

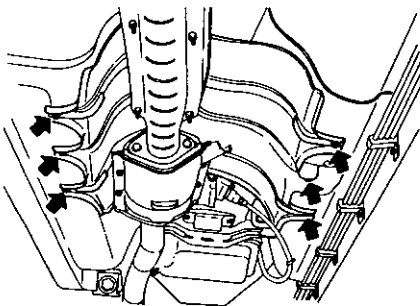


ER253

Fig. ER-13 Removing front tube bracket

Note: Hold front tube end up with a thread or wire to prevent tube from falling.

19. Remove bolts securing insulator and put it on exhaust tube. See Figure ER-14.

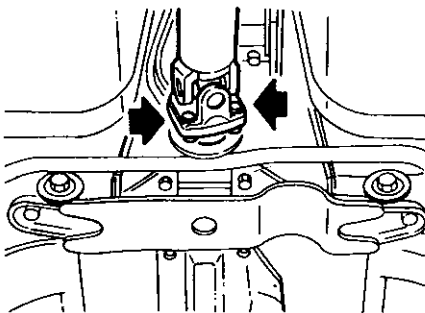


ER276

Fig. ER-14 Removing insulator

20. Remove propeller shaft.

Remove four bolts on the differential carrier side, withdraw propeller shaft, and seal end of rear extension housing to prevent oil leakage. See Figure ER-15.



Tightening torque:
2.5 to 3.2 kg-m (18 to 23 ft-lb)

ER193

Fig. ER-15 Removing propeller shaft

Note: Put match marks on both shaft and companion flange so that shaft can be reinstalled in original position.

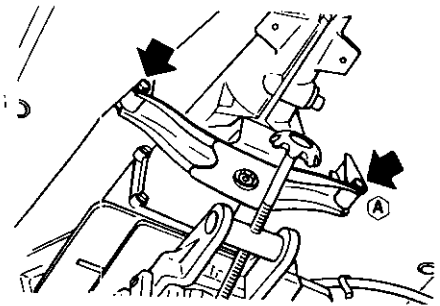
21. Support transmission with jack.
22. Remove bolts securing rear engine mounting member to body. See Figure ER-16.

Note: In this operation, care should always be taken to prevent the unit from hitting any adjacent parts.

23. Connect suitable wire or chain to engine slingers and raise engine to take weight off front mounting insulators.

24. Remove bolts securing engine support to front mounting insulators.

25. Raise engine and transmission, and remove from car as a single unit. See Figure ER-17.

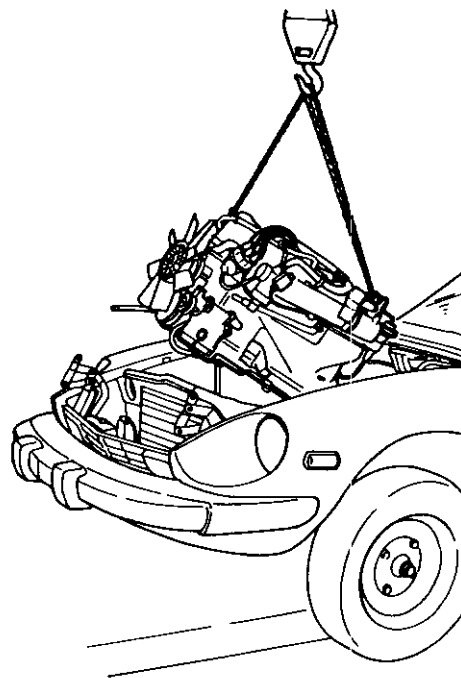


ER194

Tightening torque:

Ⓐ 3.2 to 4.3 kg-m
(23 to 31 ft-lb)

Fig. ER-16 Removing rear engine mounting member



ER255

Fig. ER-17 Removing engine

INSTALLATION

Install in the reverse order of removal, observing the following:

1. When installing, first secure rear engine mounting member to body.
2. Refer to applicable section when installing and adjusting any parts.

3. When installing hood following engine installation, be sure that it is properly centered and that hood lock operates securely. Refer to Section BF for Adjustment.

ENGINE MOUNTING INSULATORS

Three insulators are used to mount the engine and transmission; two located at left and right front ends of the cylinder block and one at the transmission rear extension housing.

Replace insulator if it shows signs of separation or deterioration.

Be sure to keep insulator free from oil or grease.

Removal

1. Suspend engine with wire or chain.
2. Loosen front engine mounting insulator upper nuts (both sides).
3. Make sure that wire or chain used to suspend engine is positioned properly so that no load is applied to insulators, and remove nuts completely.
4. Lift up engine, and separate insulators from engine mounting brackets.

FRONT INSULATOR

Left and right front insulators are identical, and are interchangeable. See Figure ER-18.

Inspection

If there is damage, deterioration or separation of bounded surface, replace.

Installation

Install front insulators in reverse sequence of removal, noting the following:

1. Both the left and right front insulators are used commonly. However, when installing them, pay attention to their upper and lower directions. See Figure ER-18.

2. The shape of the right side bracket differs from that of the left side bracket. Tighten the bolts and nuts correctly and securely. See Figure ER-18.

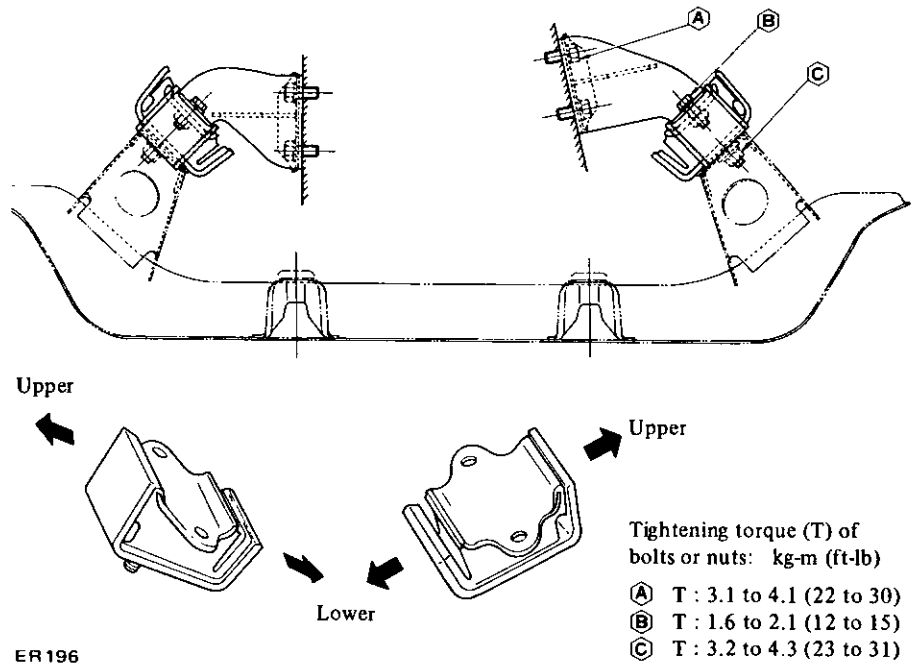
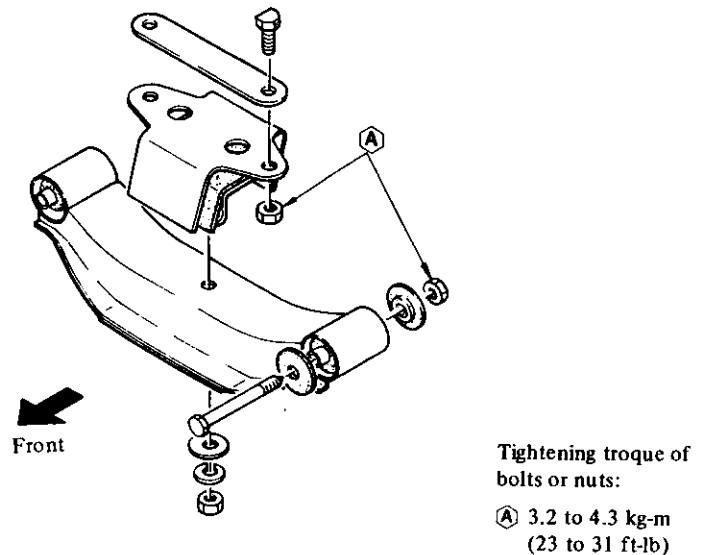


Fig. ER-18 Sectional view of front engine mounting, and front insulator

REAR INSULATOR



ER197

Fig. ER-19 Rear engine mounting and rear insulator

Removal

1. Support transmission with a jack or suitable stand so that engine does not drop down.
2. Remove rear engine mounting member installation bolts.

Engine Removal & Installation

3. Engine mounting member is provided with openings for removing and installing operations. Remove nuts and separate insulator from transmission.

4. Remove bolts, and separate insulator from engine mounting member.

Inspection

If there is damage, deterioration or separation of bounded surface, replace.

Installation

Install rear engine mounting mem-

ber and insulator in reverse sequence of removal, noting the following:

1. Tighten nuts and bolts correctly and securely. As for tightening torque, see Figure ER-19.

2. Carefully arrange the front and rear directions of rear engine mounting member and insulator when installing. See Figure ER-19.

SERVICE DATA AND SPECIFICATIONS

TIGHTENING TORQUE

	kg-m (ft-lb)
Rear engine mounting to body	3.2 to 4.3 (23 to 31)
Rear insulator to rear engine mounting member	3.2 to 4.3 (23 to 31)
Rear insulator to transmission	3.2 to 4.3 (23 to 31)
Front engine mounting bracket to engine	3.1 to 4.1 (22 to 30)
Front insulator to engine mounting bracket	1.6 to 2.1 (12 to 15)
Front insulator to suspension member	3.2 to 4.3 (23 to 31)
Clutch operating cylinder to clutch housing	2.5 to 3.0 (18 to 22)
Front tube to exhaust manifold	2.0 to 2.5 (14 to 18)
Propeller shaft to companion flange	2.5 to 3.2 (18 to 23)



509 Debby Lane
Adamsville, AL 35005
<http://www.zcarcreations.com>
cborden@zcarcreations.com

NISSAN FACTORY SERVICE MANUAL CDROM END-USER LICENSE AGREEMENT

NOTICE TO USER: THIS IS A CONTRACT. BY PURCHASING AND USING THE SERVICE MANUAL ON CDROM, YOU ACCEPT ALL THE TERMS AND CONDITIONS OF THIS AGREEMENT.

This End User License Agreement accompanies the Service Manual on CDROM product and related explanatory materials. Please read this Agreement carefully. By purchasing and using the Service Manual on CDROM, you are implying that you have carefully read, agree with, and will adhere to the conditions set forth in this agreement. If you do not wish to accept the terms of this End User Agreement please do not use the Service Manual on CDROM. You will not be permitted to use the Service Manual on CDROM without consenting to this end user agreement.

Upon your acceptance of this Agreement, Z Car Creations, LLC grants to you a nonexclusive license to use the Service Manual on CDROM, provided that you agree to the following:

USE OF SOFTWARE

You may install the contents of the CD on a hard disk or other storage device for personal use only. Each Service Manual on CDROM comes with a single user license. Under no circumstances should the contents of the Service Manual CDROM be placed on a server for purposes of distributing or allowing access to the material over a network.

COPYRIGHT AND TRADEMARK RIGHTS

The Service Manual CDROM is owned by Z Car Creations, LLC and its structure and organization, all graphics and coding are considered intellectual property of Z Car Creations, LLC. The manual content itself is property of Nissan Motors. The Service Manual on CDROM is also protected by United States Copyright Law and International Treaty provisions. This Agreement does not grant you any intellectual property or resale rights to the Service Manual CDROM.

RESTRICTIONS

You agree not to modify, adapt, translate, reverse engineer, decompile or disassemble the PDF file on the Service Manual CDROM. The Service Manual on CDROM is licensed and distributed by Z Car Creations, LLC for single user utilization of its contents only. Licensed users will be permitted to use the contents of the Service Manual CDROM for multimedia presentation to an audience from a single machine using a large display or projection device but the Service Manual CDROM may not otherwise be distributed, sold to or made accessible to multiple users.

NO WARRANTY

The software is being delivered to you AS IS and Z Car Creations, LLC makes no warranty as to its use or performance. Z CAR CREATIONS, LLC DOES NOT AND CANNOT WARRANT THE PERFORMANCE OR RESULTS YOU MAY OBTAIN BY USING THE SERVICE MANUAL CDROM OR DOCUMENTATION, NOR MAKES ANY WARRANTIES, EXPRESS OR IMPLIED, AS TO NONINFRINGEMENT OF THIRD-PARTY RIGHTS, MERCHANTABILITY, OR FITNESS FOR ANY PARTICULAR PURPOSE. IN NO EVENT WILL Z CAR CREATIONS, LLC BE LIABLE TO YOU FOR ANY CONSEQUENTIAL, INCIDENTAL, OR SPECIAL DAMAGES FOR ANY REASON.



509 Debby Lane
Adamsville, AL 35005
<http://www.zcarcreations.com>
cborden@zcarcreations.com

GOVERNING LAW AND GENERAL PROVISIONS

This Agreement will be governed by the laws of the State of Alabama, USA, excluding the application of its conflicts of law rules. This Agreement will not be governed by the United Nations Convention on Contracts for the International Sale of Goods, the application of which is expressly excluded. If any part of this Agreement is found void and unenforceable, it will not affect the validity of the balance of the Agreement, which shall remain valid and enforceable according to its terms. You agree that the Service Manual on CDROM will not be shipped, transferred or exported into any country or used in any manner prohibited by the United States Export Administration act or any other export laws, restrictions or regulations. This Agreement shall automatically terminate upon failure by you to comply with its terms. This Agreement may only be modified in writing signed by and authorized officer for Z Car Creations, LLC.

Craig Borden
Z Car Creations, LLC
509 Debby Lane
Adamsville, AL 35005
USA

YOUR ACCEPTANCE OF THE FOREGOING AGREEMENT IS IMPLIED UPON PURCHASING AND USING THE SERVICE MANUAL CDROM.