

SECTION EI
EXTERIOR & INTERIOR

A
B
C
D
E
F
G
H
EI
J
K
L
M

CONTENTS

PRECAUTIONS	2	FENDER PROTECTOR	21
Precautions for Supplemental Restraint System (SRS) "AIR BAG" and "SEAT BELT PRE-TENSIONER"	2	Removal and Installation	21
Precautions	2	FRONT	21
PREPARATION	3	LICENSE LAMP FINISHER	22
Special Service Tools	3	Removal and Installation	22
Commercial Service Tools	3	ROOF RACK	23
SQUEAK AND RATTLE TROUBLE DIAGNOSIS	4	Removal and Installation	23
Work Flow	4	ROOF SIDE MOLDING	24
CUSTOMER INTERVIEW	4	Removal and Installation	24
DUPLICATE THE NOISE AND TEST DRIVE	5	DOOR OUTSIDE MOLDING	25
CHECK RELATED SERVICE BULLETINS	5	Removal and Installation	25
LOCATE THE NOISE AND IDENTIFY THE ROOT CAUSE	5	FRONT DOOR OUTSIDE MOLDING	25
REPAIR THE CAUSE	5	SIDE GUARD MOLDING	26
CONFIRM THE REPAIR	6	Removal and Installation	26
Generic Squeak and Rattle Troubleshooting	6	REMOVAL	26
INSTRUMENT PANEL	6	INSTALLATION	26
CENTER CONSOLE	6	DOOR FINISHER	28
DOORS	6	Removal and Installation	28
BACK DOOR	7	FRONT DOOR	28
SUNROOF/HEADLINER	7	SLIDING DOOR	29
OVERHEAD CONSOLE (FRONT AND REAR).....	7	BODY SIDE TRIM	30
SEATS	7	Removal and Installation	30
UNDERHOOD	7	LEFT SIDE	30
Diagnostic Worksheet	8	RIGHT SIDE AND REAR	32
CLIP AND FASTENER	10	CENTER PILLAR LOWER FINISHER	33
Description	10	CENTER PILLAR UPPER FINISHER	33
FRONT BUMPER	13	REAR CENTER PILLAR FINISHER	33
Removal and Installation	13	DASH SIDE FINISHER	33
REAR BUMPER	15	FRONT PILLAR FINISHER	33
Removal and Installation	15	REAR LOWER FINISHER ASSEMBLY	34
FRONT GRILLE	17	REAR PILLAR UPPER FINISHER	34
Removal and Installation	17	BACK DOOR LOWER FINISHER	34
COWL TOP	18	BACK DOOR UPPER FINISHER	34
Removal and Installation	18	FLOOR TRIM	35
FRONT FENDER	20	Removal and Installation	35
Removal and Installation	20	HEADLINING	36
		Removal and Installation	36

PRECAUTIONS

PRECAUTIONS

PF0:00001

Precautions for Supplemental Restraint System (SRS) “AIR BAG” and “SEAT BELT PRE-TENSIONER”

EIS001VA

The Supplemental Restraint System such as “AIR BAG” and “SEAT BELT PRE-TENSIONER”, used along with a front seat belt, helps to reduce the risk or severity of injury to the driver and front passenger for certain types of collision. This system includes seat belt switch inputs and dual stage front air bag modules. The SRS system uses the seat belt switches to determine the front air bag deployment, and may only deploy one front air bag, depending on the severity of a collision and whether the front occupants are belted or unbelted. Information necessary to service the system safely is included in the SRS and SB section of this Service Manual.

WARNING:

- To avoid rendering the SRS inoperative, which could increase the risk of personal injury or death in the event of a collision which would result in air bag inflation, all maintenance must be performed by an authorized NISSAN/INFINITI dealer.
- Improper maintenance, including incorrect removal and installation of the SRS, can lead to personal injury caused by unintentional activation of the system. For removal of Spiral Cable and Air Bag Module, see the SRS section.
- Do not use electrical test equipment on any circuit related to the SRS unless instructed to in this Service Manual. SRS wiring harnesses can be identified by yellow and/or orange harnesses or harness connectors.

Precautions

EIS001VB

- When removing or disassembling any part, be careful not to damage or deform it. Protect parts which may get in the way with cloth.
- When removing parts with a screwdriver or other tool, protect parts by wrapping them with vinyl or tape.
- Keep removed parts protected with cloth.
- If a clip is deformed or damaged, replace it.
- If an un reusable part is removed, replace it with a new one.
- Tighten bolts and nuts firmly to the specified torque.
- After re-assembly has been completed, make sure each part functions correctly.
- Remove stains in the following way.
 - Water-soluble stains:
Dip a cloth in warm water, and squeeze tightly. After wiping the stain, wipe with a soft dry cloth.
 - Oil stain:
Dissolve a synthetic detergent in warm water (density of 2 to 3% or less), dip the cloth, then clean off the stain with the cloth. Next, dip the soft cloth in fresh water, and then squeeze it tightly. Then clean off the detergent completely. Then wipe the area with a soft dry cloth.
- Do not use any organic solvent, such as thinner or benzine.

PREPARATION

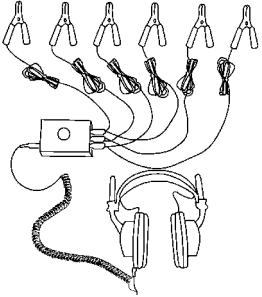
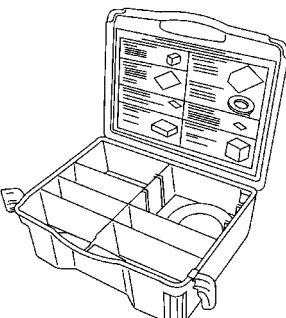
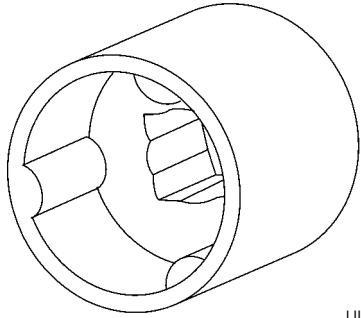
PREPARATION

PFP:00002

Special Service Tools

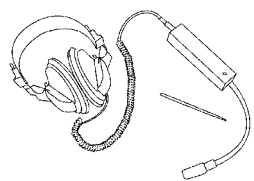
EIS001VC

The actual shapes of Kent-Moore tools may differ from those of special service tools illustrated here.

Tool number (Kent-Moore No.) Tool name	Description
(J-39570) Chassis ear  <div style="text-align: right;">SBT839</div>	Locating the noise
(J-43980) NISSAN Squeak and Rattle kit  <div style="text-align: right;">SBT840</div>	Repairing the cause of noise
(J-47126) Net Hook Socket  <div style="text-align: right;">LIIA2163E</div>	Remove and install the net hook fasteners

Commercial Service Tools

EIS001VD

Tool name	Description
Engine ear  <div style="text-align: right;">SIIA0995E</div>	Locating the noise

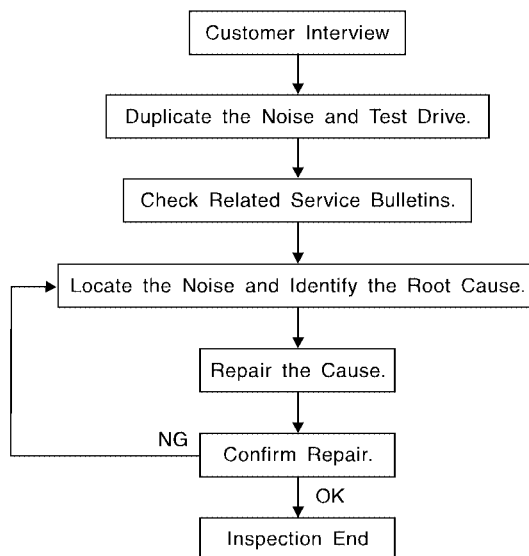
SQUEAK AND RATTLE TROUBLE DIAGNOSIS

SQUEAK AND RATTLE TROUBLE DIAGNOSIS

PF0:00000

Work Flow

EIS001VE



SBT842

CUSTOMER INTERVIEW

Interview the customer, if possible, to determine the conditions that exist when the noise occurs. Use the Diagnostic Worksheet during the interview to document the facts and conditions when the noise occurs and any customer's comments; refer to [EI-4, "CUSTOMER INTERVIEW"](#). This information is necessary to duplicate the conditions that exist when the noise occurs.

- The customer may not be able to provide a detailed description or the location of the noise. Attempt to obtain all the facts and conditions that exist when the noise occurs (or does not occur).
- If there is more than one noise in the vehicle, be sure to diagnose and repair the noise that the customer is concerned about. This can be accomplished by test driving the vehicle with the customer.
- After identifying the type of noise, isolate the noise in terms of its characteristics. The noise characteristics are provided so the customer, service adviser and technician are all speaking the same language when defining the noise.
- Squeak — (Like tennis shoes on a clean floor)
Squeak characteristics include the light contact/fast movement/brought on by road conditions/hard surfaces = higher pitch noise/softer surfaces = lower pitch noises/edge to surface = chirping
- Creak — (Like walking on an old wooden floor)
Creak characteristics include firm contact/slow movement/twisting with a rotational movement/pitch dependent on materials/often brought on by activity.
- Rattle — (Like shaking a baby rattle)
Rattle characteristics include the fast repeated contact/vibration or similar movement/loose parts/missing clip or fastener/incorrect clearance.
- Knock — (Like a knock on a door)
Knock characteristics include hollow sounding/sometimes repeating/often brought on by driver action.
- Tick — (Like a clock second hand)
Tick characteristics include gentle contacting of light materials/loose components/can be caused by driver action or road conditions.
- Thump — (Heavy, muffled knock noise)
Thump characteristics include softer knock/dead sound often brought on by activity.
- Buzz — (Like a bumblebee)
Buzz characteristics include high frequency rattle/firm contact.
- Often the degree of acceptable noise level will vary depending upon the person. A noise that you may judge as acceptable may be very irritating to the customer.
- Weather conditions, especially humidity and temperature, may have a great effect on noise level.

SQUEAK AND RATTLE TROUBLE DIAGNOSIS

DUPLICATE THE NOISE AND TEST DRIVE

If possible, drive the vehicle with the customer until the noise is duplicated. Note any additional information on the Diagnostic Worksheet regarding the conditions or location of the noise. This information can be used to duplicate the same conditions when you confirm the repair.

If the noise can be duplicated easily during the test drive, to help identify the source of the noise, try to duplicate the noise with the vehicle stopped by doing one or all of the following:

- Close a door.
- Tap or push/pull around the area where the noise appears to be coming from.
- Rev the engine.
- Use a floor jack to recreate vehicle "twist".
- At idle, apply engine load (electrical load, half-clutch on M/T model, drive position on A/T model).
- Raise the vehicle on a hoist and hit a tire with a rubber hammer.
- Drive the vehicle and attempt to duplicate the conditions the customer states exist when the noise occurs.
- If it is difficult to duplicate the noise, drive the vehicle slowly on an undulating or rough road to stress the vehicle body.

CHECK RELATED SERVICE BULLETINS

After verifying the customer concern or symptom, check ASIST for Technical Service Bulletins (TSBs) related to that concern or symptom.

If a TSB relates to the symptom, follow the procedure to repair the noise.

LOCATE THE NOISE AND IDENTIFY THE ROOT CAUSE

1. Narrow down the noise to a general area. To help pinpoint the source of the noise, use a listening tool (Chassis Ear: J-39570, Engine Ear: J-39565 and mechanics stethoscope).
2. Narrow down the noise to a more specific area and identify the cause of the noise by:
 - Removing the components in the area that you suspect the noise is coming from.
Do not use too much force when removing clips and fasteners, otherwise clips and fasteners can be broken or lost during the repair, resulting in the creation of new noise.
 - Tapping or pushing/pulling the component that you suspect is causing the noise.
Do not tap or push/pull the component with excessive force, otherwise the noise will be eliminated only temporarily.
 - Feeling for a vibration with your hand by touching the component(s) that you suspect is (are) causing the noise.
 - Placing a piece of paper between components that you suspect are causing the noise.
 - Looking for loose components and contact marks.

Refer to [EI-6, "Generic Squeak and Rattle Troubleshooting"](#).

REPAIR THE CAUSE

- If the cause is a loose component, tighten the component securely.
- If the cause is insufficient clearance between components:
 - Separate components by repositioning or loosening and retightening the component, if possible.
 - Insulate components with a suitable insulator such as urethane pads, foam blocks, felt cloth tape or urethane tape. A NISSAN Squeak and Rattle Kit (J-43980) is available through your authorized NISSAN Parts Department.

CAUTION:

Do not use excessive force as many components are constructed of plastic and may be damaged. Always check with the Parts Department for the latest parts information.

The following materials are contained in the NISSAN Squeak and Rattle Kit (J-43980). Each item can be ordered separately as needed.

URETHANE PADS [1.5 mm (0.059 in) thick]

Insulates connectors, harness, etc.

76268-9E005: 100 x 135 mm (3.94 x 5.31 in)/76884-71L01: 60 x 85 mm (2.36 x 3.35 in)/76884-71L02: 15 x 25 mm (0.59 x 0.98 in)

INSULATOR (Foam blocks)

Insulates components from contact. Can be used to fill space behind a panel.

SQUEAK AND RATTLE TROUBLE DIAGNOSIS

73982-9E000: 45 mm (1.77 in) thick, 50 x 50 mm (1.97 x 1.97 in)/73982-50Y00: 10 mm (0.39 in) thick, 50 x 50 mm (1.97 x 1.97 in)

INSULATOR (Light foam block)

80845-71L00: 30 mm (1.18 in) thick, 30 x 50 mm (1.18 x 1.97 in)

FELT CLOTH TAPE

Used to insulate where movement does not occur. Ideal for instrument panel applications.

68370-4B000: 15 x 25 mm (0.59 x 0.98 in) pad/68239-13E00: 5 mm (0.20 in) wide tape roll

The following materials, not found in the kit, can also be used to repair squeaks and rattles.

UHMW (TEFLON) TAPE

Insulates where slight movement is present. Ideal for instrument panel applications.

SILICONE GREASE

Used in place of UHMW tape that will be visible or not fit.

Note: Will only last a few months.

SILICONE SPRAY

Use when grease cannot be applied.

DUCT TAPE

Use to eliminate movement.

CONFIRM THE REPAIR

Confirm that the cause of a noise is repaired by test driving the vehicle. Operate the vehicle under the same conditions as when the noise originally occurred. Refer to the notes on the Diagnostic Worksheet.

Generic Squeak and Rattle Troubleshooting

EIS001VF

Refer to Table of Contents for specific component removal and installation information.

INSTRUMENT PANEL

Most incidents are caused by contact and movement between:

1. The cluster lid A and instrument panel
2. Acrylic lens and combination meter housing
3. Instrument panel to front pillar garnish
4. Instrument panel to windshield
5. Instrument panel mounting pins
6. Wiring harnesses behind the combination meter
7. A/C defroster duct and duct joint

These incidents can usually be located by tapping or moving the components to duplicate the noise or by pressing on the components while driving to stop the noise. Most of these incidents can be repaired by applying felt cloth tape or silicone spray (in hard to reach areas). Urethane pads can be used to insulate wiring harness.

CAUTION:

Do not use silicone spray to isolate a squeak or rattle. If you saturate the area with silicone, you will not be able to recheck the repair.

CENTER CONSOLE

Components to pay attention to include:

1. Shifter assembly cover to finisher
2. A/C control unit and upper/lower cluster lid C
3. Wiring harnesses behind audio and A/C control unit

The instrument panel repair and isolation procedures also apply to the center console.

DOORS

Pay attention to the:

1. Finisher and inner panel making a slapping noise
2. Inside handle escutcheon to door finisher
3. Wiring harnesses tapping
4. Door striker out of alignment causing a popping noise on starts and stops

SQUEAK AND RATTLE TROUBLE DIAGNOSIS

Tapping or moving the components or pressing on them while driving to duplicate the conditions can isolate many of these incidents. You can usually insulate the areas with felt cloth tape or insulator foam blocks from the NISSAN Squeak and Rattle Kit (J-43980) to repair the noise.

BACK DOOR

Luggage compartment noises are often caused by a loose jack or loose items put into the luggage compartment by the owner.

In addition look for:

1. Back door bumpers out of adjustment
2. Back door striker out of adjustment
3. A loose license plate or bracket

Most of these incidents can be repaired by adjusting, securing or insulating the item(s) or component(s) causing the noise.

SUNROOF/HEADLINER

Noises in the sunroof/headliner area can often be traced to one of the following:

1. Sunroof lid, rail, linkage or seals making a rattle or light knocking noise
2. Sunvisor shaft shaking in the holder
3. Front or rear windshield touching headliner and squeaking

Again, pressing on the components to stop the noise while duplicating the conditions can isolate most of these incidents. Repairs usually consist of insulating with felt cloth tape.

OVERHEAD CONSOLE (FRONT AND REAR)

Overhead console noises are often caused by the console panel clips not being engaged correctly. Most of these incidents are repaired by pushing up on the console at the clip locations until the clips engage.

In addition look for:

1. Loose harness or harness connectors.
2. Front console map/reading lamp lense loose.
3. Loose screws at console attachment points.

SEATS

When isolating seat noises it is important to note the position the seat is in and the load placed on the seat when the noise is present. These conditions should be duplicated when verifying and isolating the cause of the noise.

Cause of seat noise include:

1. Headrest rods and holders
2. A squeak between the seat pad cushion and frame
3. The rear seat back lock and bracket

These noises can be isolated by moving or pressing on the suspected components while duplicating the conditions under which the noise occurs. Most of these incidents can be repaired by repositioning the component or applying urethane tape to the contact area.

UNDERHOOD

Some interior noises may be caused by components under the hood or on the engine wall. The noise is then transmitted into the passenger compartment.

Causes of transmitted underhood noises include:

1. Any component mounted to the engine wall
2. Components that pass through the engine wall
3. Engine wall mounts and connectors
4. Loose radiator mounting pins
5. Hood bumpers out of adjustment
6. Hood striker out of adjustment

These noises can be difficult to isolate since they cannot be reached from the interior of the vehicle. The best method is to secure, move or insulate one component at a time and test drive the vehicle. Also, engine RPM or load can be changed to isolate the noise. Repairs can usually be made by moving, adjusting, securing, or insulating the component causing the noise.

A

B

C

D

E

F

G

H

EI

J

K

L

M

SQUEAK AND RATTLE TROUBLE DIAGNOSIS

Diagnostic Worksheet

EIS0072I



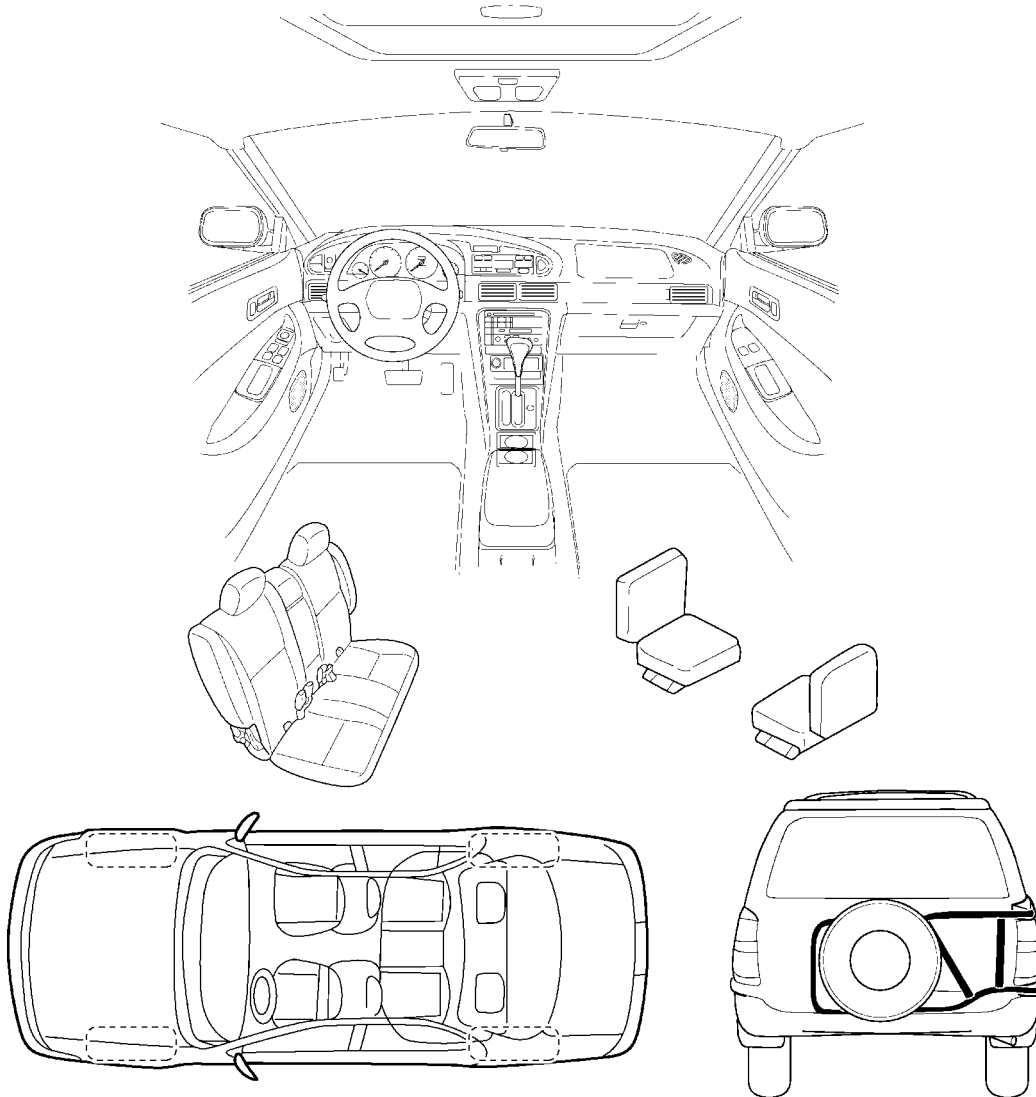
SQUEAK & RATTLE DIAGNOSTIC WORKSHEET

Dear Nissan Customer:

We are concerned about your satisfaction with your Nissan vehicle. Repairing a squeak or rattle sometimes can be very difficult. To help us fix your Nissan right the first time, please take a moment to note the area of the vehicle where the squeak or rattle occurs and under what conditions. You may be asked to take a test drive with a service advisor or technician to ensure we confirm the noise you are hearing.

I. WHERE DOES THE NOISE COME FROM? (circle the area of the vehicle)

The illustrations are for reference only, and may not reflect the actual configuration of your vehicle.



Continue to the back of the worksheet and briefly describe the location of the noise or rattle. In addition, please indicate the conditions which are present when the noise occurs.

LIWA0276E

SQUEAK AND RATTLE TROUBLE DIAGNOSIS

SQUEAK & RATTLE DIAGNOSTIC WORKSHEET- page 2

Briefly describe the location where the noise occurs:

II. WHEN DOES IT OCCUR? (check the boxes that apply)

- | | |
|--|---|
| <input type="checkbox"/> anytime | <input type="checkbox"/> after sitting out in the sun |
| <input type="checkbox"/> 1 st time in the morning | <input type="checkbox"/> when it is raining or wet |
| <input type="checkbox"/> only when it is cold outside | <input type="checkbox"/> dry or dusty conditions |
| <input type="checkbox"/> only when it is hot outside | <input type="checkbox"/> other: _____ |

III. WHEN DRIVING:

- through driveways
- over rough roads
- over speed bumps
- only at about _____ mph
- on acceleration
- coming to a stop
- on turns : left, right or either (circle)
- with passengers or cargo
- other: _____
- after driving _____ miles or _____ minutes

IV. WHAT TYPE OF NOISE?

- squeak (like tennis shoes on a clean floor)
- creak (like walking on an old wooden floor)
- rattle (like shaking a baby rattle)
- knock (like a knock on a door)
- tick (like a clock second hand)
- thump (heavy, muffled knock noise)
- buzz (like a bumble bee)

TO BE COMPLETED BY DEALERSHIP PERSONNEL

Test Drive Notes:

	<u>YES</u>	<u>NO</u>	<u>Initials of person performing</u>
Vehicle test driven with customer	<input type="checkbox"/>	<input type="checkbox"/>	_____
- Noise verified on test drive	<input type="checkbox"/>	<input type="checkbox"/>	_____
- Noise source located and repaired	<input type="checkbox"/>	<input type="checkbox"/>	_____
- Follow up test drive performed to confirm repair	<input type="checkbox"/>	<input type="checkbox"/>	_____

VIN: _____ Customer Name: _____

W.O. #: _____ Date: _____

SBT844

This form must be attached to Work Order

CLIP AND FASTENER


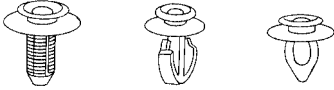
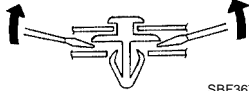

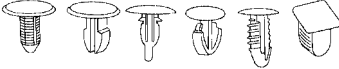
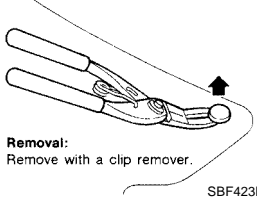

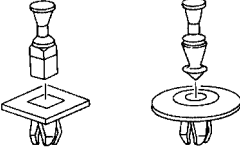
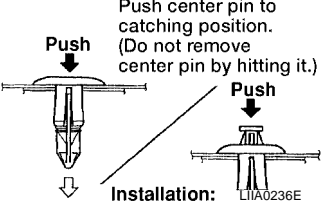

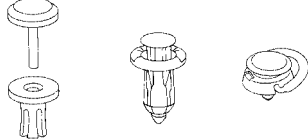
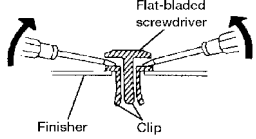

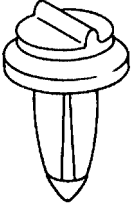
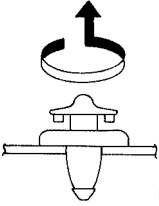

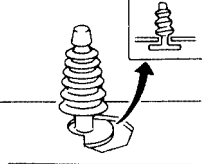
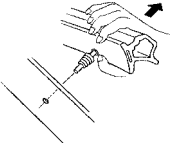
CLIP AND FASTENER

PFP:76906

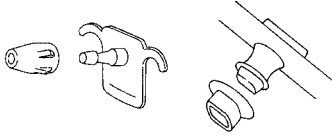
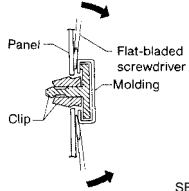

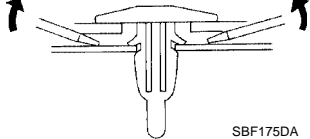

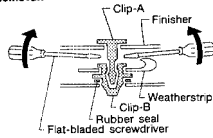

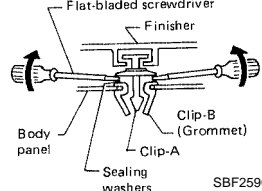
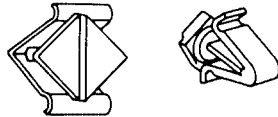
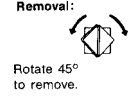


Description

EIS001VH

- Clips and fasteners in EI section correspond to the following numbers and symbols.
- Replace any clips and/or fasteners which are damaged during removal or installation.

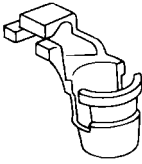
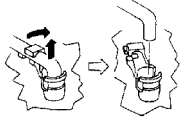

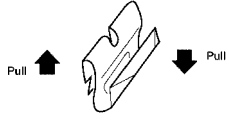
Symbol No.	Shapes	Removal & Installation
C101 	 SBF302H	Removal: Remove by bending up with flat-bladed screwdrivers or clip remover.  SBF367BA
C103 	 SBT095	Removal: Remove with a clip remover.  SBF423H
C203 	 SBF258G	Installation: Push center pin to catching position. (Do not remove center pin by hitting it.)  LIA0236E
C205 	 MBT080A	Removal: Remove with Flat-bladed screwdriver and Finisher.  SBF638CA
C206 	 MBF519B	 MBF520B
CE103 	 SBF104B	Removal:  SBF147B

CLIP AND FASTENER

Symbol No.	Shapes	Removal & Installation
CE107	 <p style="text-align: center;">SBF411H</p>	 <p style="text-align: center;">SBF767B</p>
CE117	 <p style="text-align: center;">SBF174D</p>	<p>Removal: Remove by bending up with a flat-bladed screwdriver or pliers.</p>  <p style="text-align: center;">SBF175DA</p>
CF110	 <p style="text-align: center;">SBF648B</p>	<p>Removal:</p>  <p style="text-align: center;">SBF649B</p>
CF118	 <p style="text-align: center;">SBF151D</p>	<p>Removal:</p>  <p style="text-align: center;">SBF259G</p>
CG101	 <p style="text-align: center;">SBF145B</p>	<p>Removal: Rotate 45° to remove.</p>  <p style="text-align: center;">SBF085B</p>
CS101	 <p style="text-align: center;">SBF078B</p>	<p>Removal: 1. Screw out with a Phillips screwdriver. 2. Remove female portion with flat-bladed screwdriver.</p>  <p style="text-align: center;">SBF992G</p>

A
B
C
D
E
F
G
H
EI
J
K
L
M

CLIP AND FASTENER

Symbol No.	Shapes	Removal & Installation
CR103	 <p style="text-align: center;">SBF768B</p>	<p>Removal: Holder portion of clip must be spread out to remove rod.</p>  <p style="text-align: right;">SBF770B</p>
Metal Clip	 <p style="text-align: center;">WBT072</p>	<p>Removal:</p>  <p style="text-align: right;">WBT073</p>

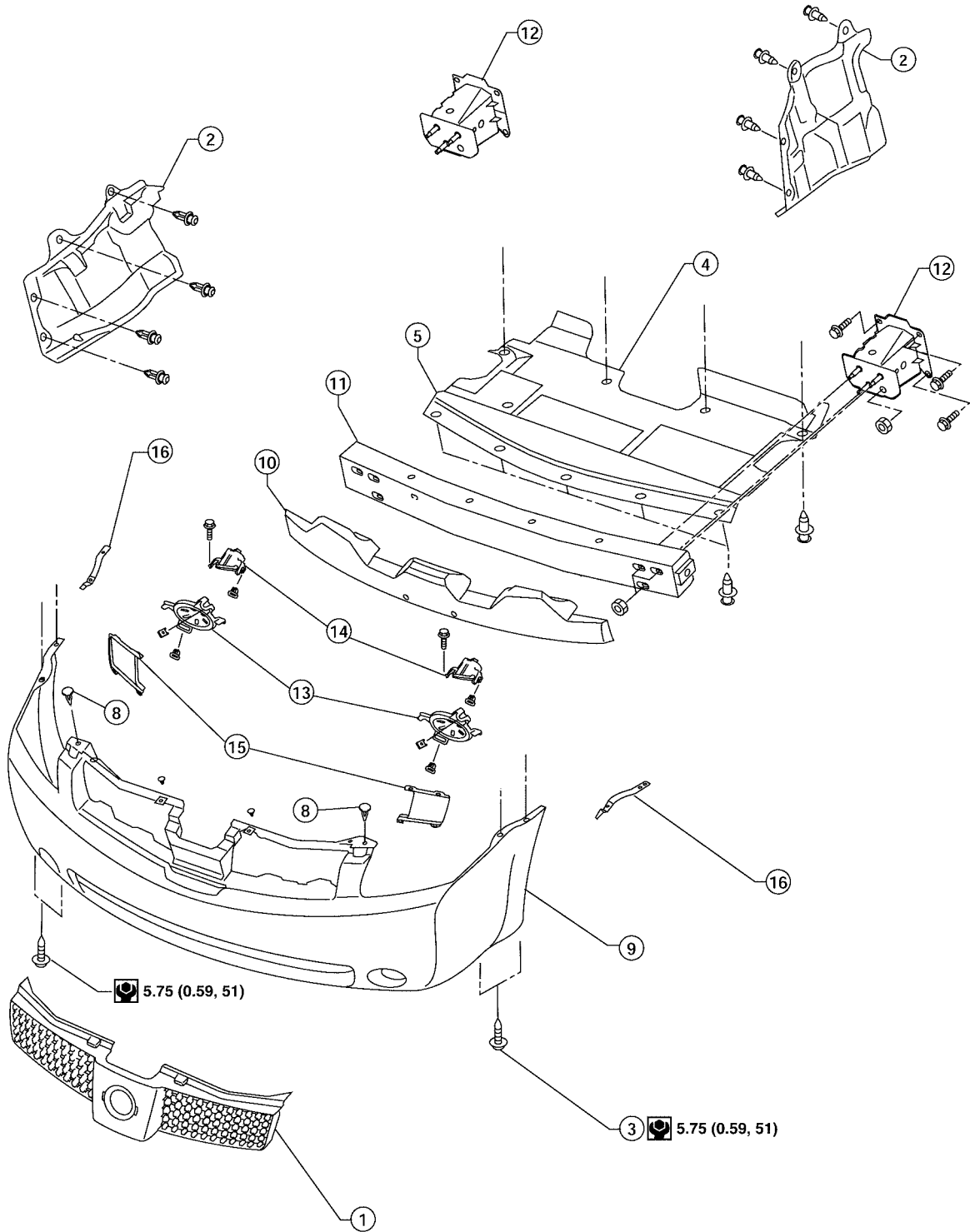
FRONT BUMPER

FRONT BUMPER

Removal and Installation

PFP:F2022

EIS001VI



A
B
C
D
E
F
G
H
EI
J
K
L
M

N·m (kg·m, in·lb)

WIHA0198E

FRONT BUMPER

1. Remove radiator grille. Refer to [EI-17, "FRONT GRILLE"](#) .
2. Remove RH and LH splash guards.
3. Partially remove fender protector. Refer to [EI-21, "FENDER PROTECTOR"](#) .
4. Remove engine underside cover.
5. Remove engine underside cover seal.
6. Disconnect fog lamps, if equipped.
7. Remove screws from each side of fascia.
8. Remove clips from top of fascia.
9. Remove front bumper fascia.
10. Remove energy absorbing foam from front bumper.
11. Remove front bumper reinforcement.
12. Remove front bumper stay assemblies.
13. Remove front bumper RH and LH finishers, if equipped.
14. Remove fog lamps, if equipped.
15. Remove RH and LH deflectors.
16. Remove side front bumper RH and LH brackets.

Installation is in the reverse order of removal.

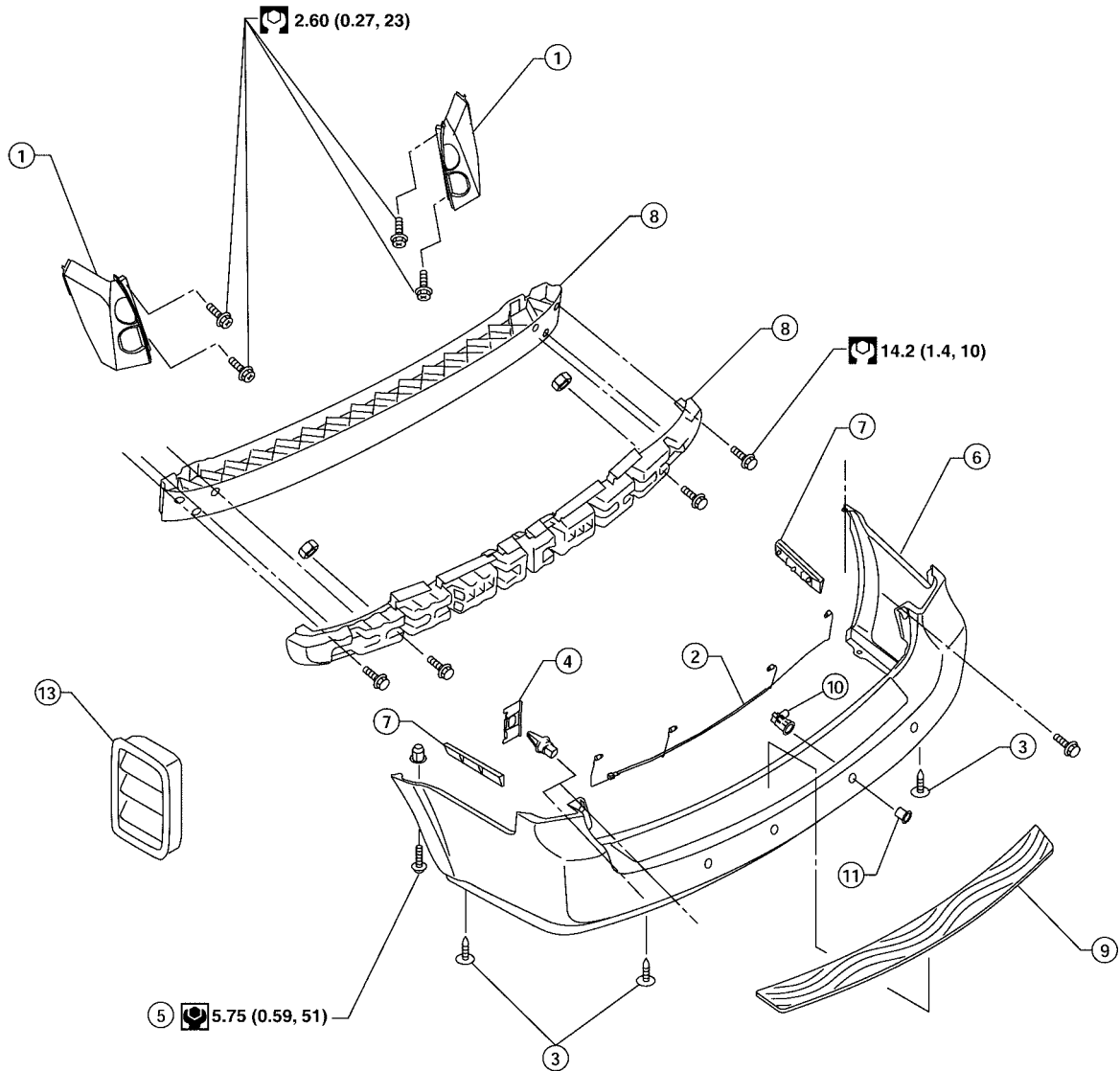
REAR BUMPER

REAR BUMPER

Removal and Installation

PFPH5022

EIS001VJ



N-m (kg-m, in-lb)

N-m (kg-m, ft-lb)

WIIA0199E

A
B
C
D
E
F
G
H
EI
J
K
L
M

REAR BUMPER

1. Remove rear combination lamp RH and LH assemblies. Refer to [LT-124, "REAR COMBINATION LAMP"](#).
2. Disconnect sonar sensor harness connector, if equipped.
3. Remove top and bottom clips from rear bumper fascia
4. Remove rear bumper side brackets from rear bumper fascia.
 - Twist bracket 1/4 turn to remove.
5. Remove rear bumper fascia screws.
6. Remove rear bumper fascia.
7. Remove rear bumper side brackets.
8. Remove bumper reinforcement.
 - Separate energy absorber and rear bumper reinforcement.
9. Remove step pad from rear bumper fascia.
10. Disconnect harness from sonar sensors, if equipped.
11. Remove sonar sensors and retainers from rear bumper fascia, if equipped.
 - Separate sensors and retainers.
12. Remove sonar sensor harness from rear bumper fascia.
13. Remove drafter duct from rear bumper area.

Installation is in the reverse order of removal.

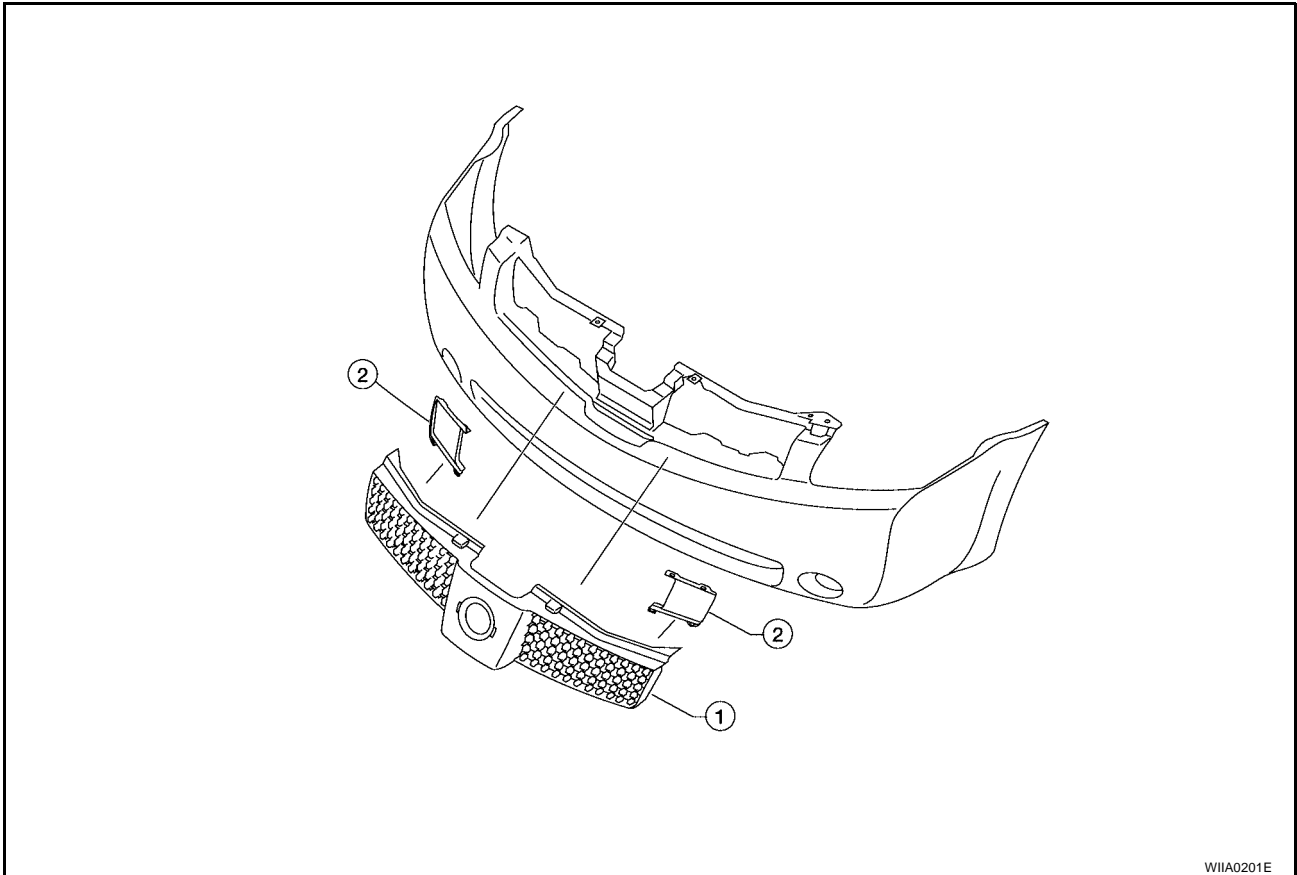
FRONT GRILLE

FRONT GRILLE

PFP:62310

Removal and Installation

EIS001VK



1. Release clips attaching front grille to front bumper fascia and remove front grille.
 2. Release clips attaching RH and LH side deflectors to front grille and remove side deflectors.
- Installation is in the reverse order of removal.

A
B
C
D
E
F
G
H
EI
J
K
L
M

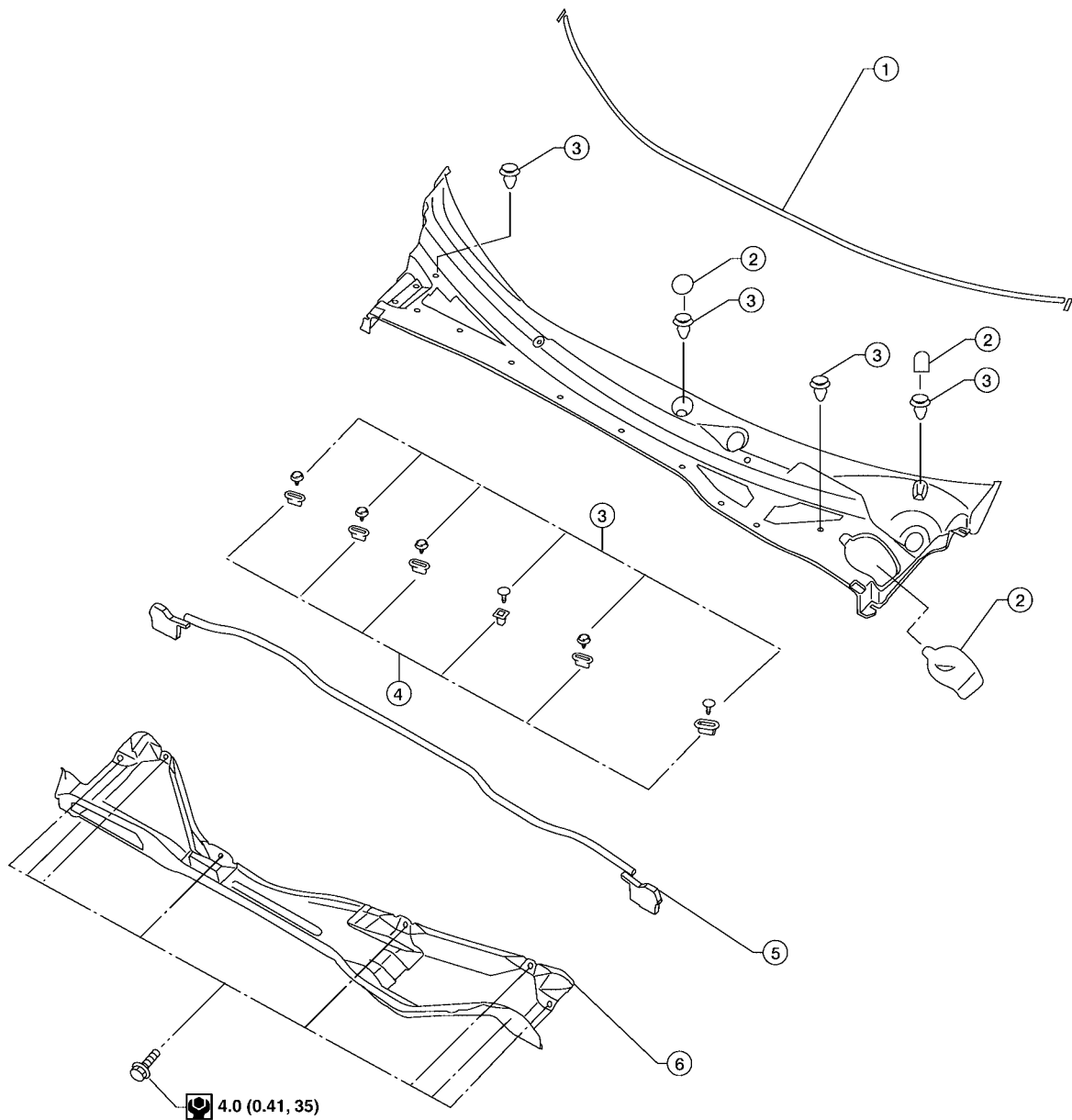
COWL TOP


COWL TOP

PF6:66100

Removal and Installation

EIS001VL



 : N·m (kg-m, in-lb)

W11A0202E

- | | | |
|--------------------------|------------------|-----------------------|
| 1. Cowl top weatherstrip | 2. Cowl top caps | 3. Plastic clips |
| 4. Grommets | 5. Cowl top seal | 6. Cowl top extension |

1. Remove right and left wiper arms. Refer to [WW-26, "Removal and Installation of Front Wiper Arms, Adjustment of Wiper Arms Stop Location"](#).
2. Remove cowl top cover.
 - Release clips under cowl top cover and clips on hoodledge.
 - Remove seal by releasing ends from tabs on cowl top cover and releasing plastic clips.
 - Remove weatherstrip.
3. Remove cowl top seal.

COWL TOP

-
4. Remove windshield washer nozzles and hoses from cowl top cover. Refer to [WW-28, "Washer Tube Lay-out"](#) A
 5. Remove heater pump from cowl top extension. Refer to [ATC-141, "HEATER PUMP"](#) .
 6. Disconnect clip attaching coolant control valve hose to cowl top extension. B
 7. Remove cowl top extension. C

Installation is in the reverse order of removal. D

E

F

G

H

I

J

K

L

M

N

O

P

Q

R

S

T

U

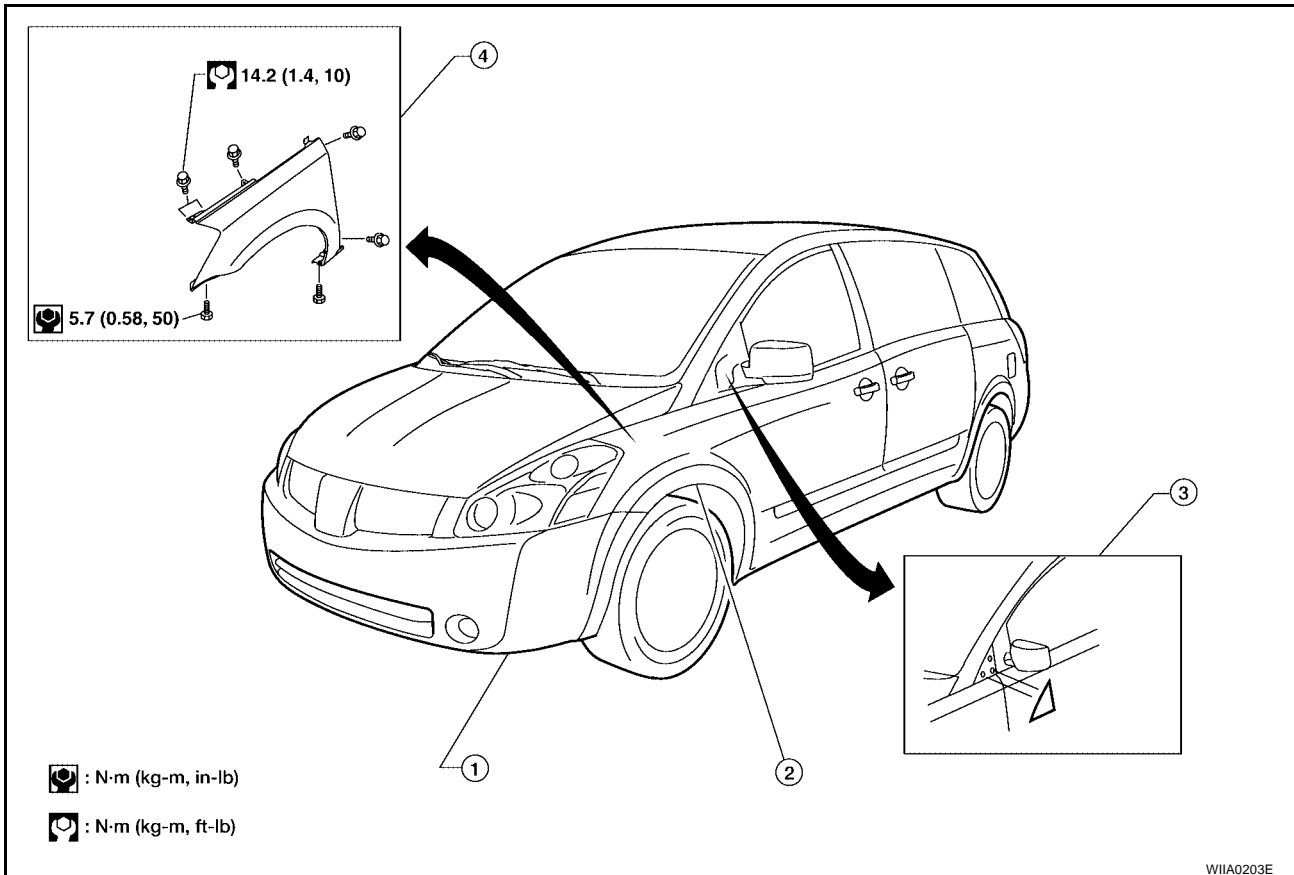
FRONT FENDER

FRONT FENDER

PFP:63100

Removal and Installation

EIS001VM



1. Remove front bumper fascia. Refer to [EI-13, "FRONT BUMPER"](#).
2. Remove fender protector. Refer to [EI-21, "FENDER PROTECTOR"](#).
3. Remove outside corner cover.
4. Remove front fender.

Installation is in the reverse order of removal.

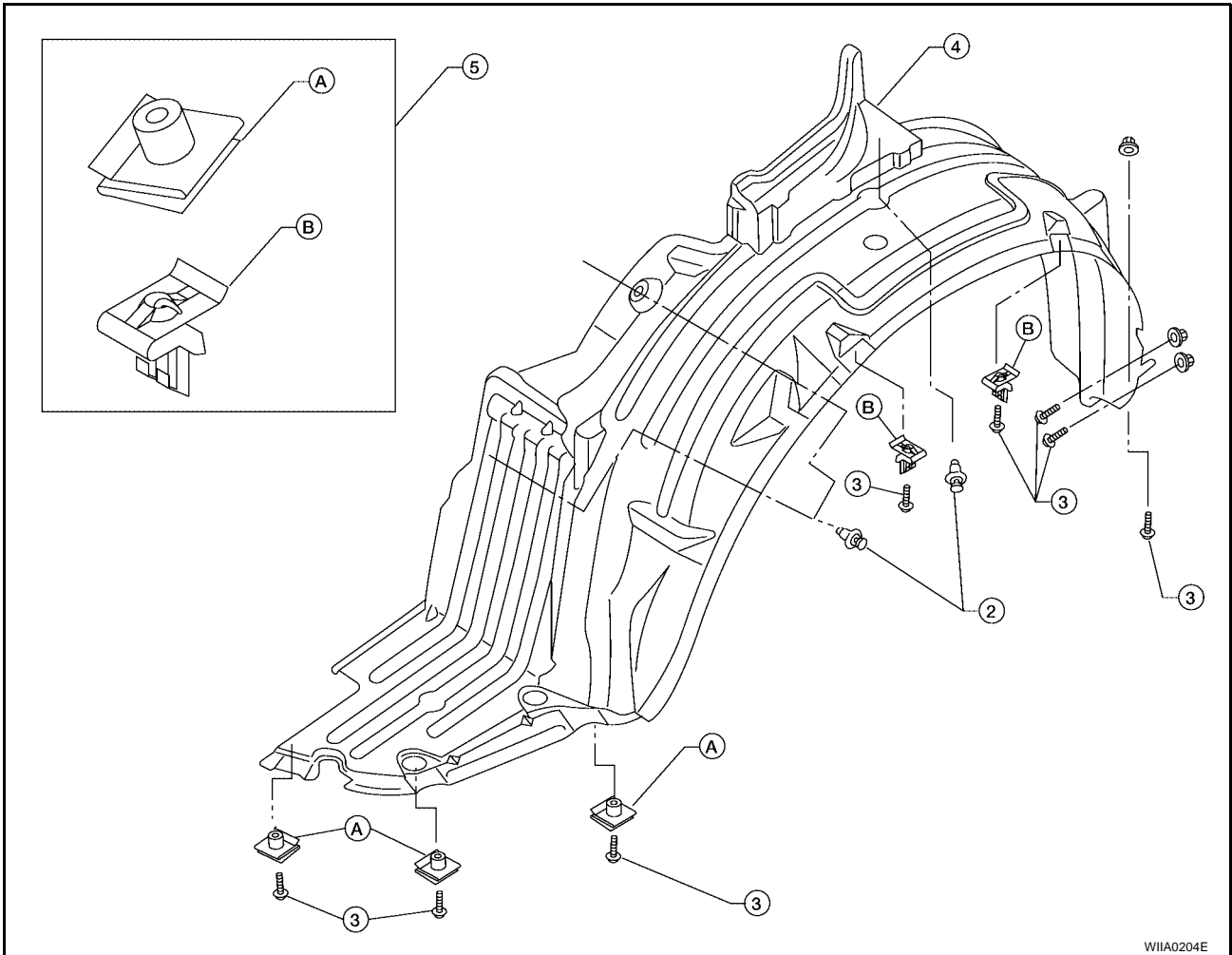
FENDER PROTECTOR

PFP:63840

EIS001VN

FENDER PROTECTOR

Removal and Installation FRONT



1. Remove splash guard. Refer to [EI-13, "FRONT BUMPER"](#).
2. Remove pushpins.
3. Remove screws.
4. Remove front fender protector.
5. Remove clips.

Installation is in the reverse order of removal.

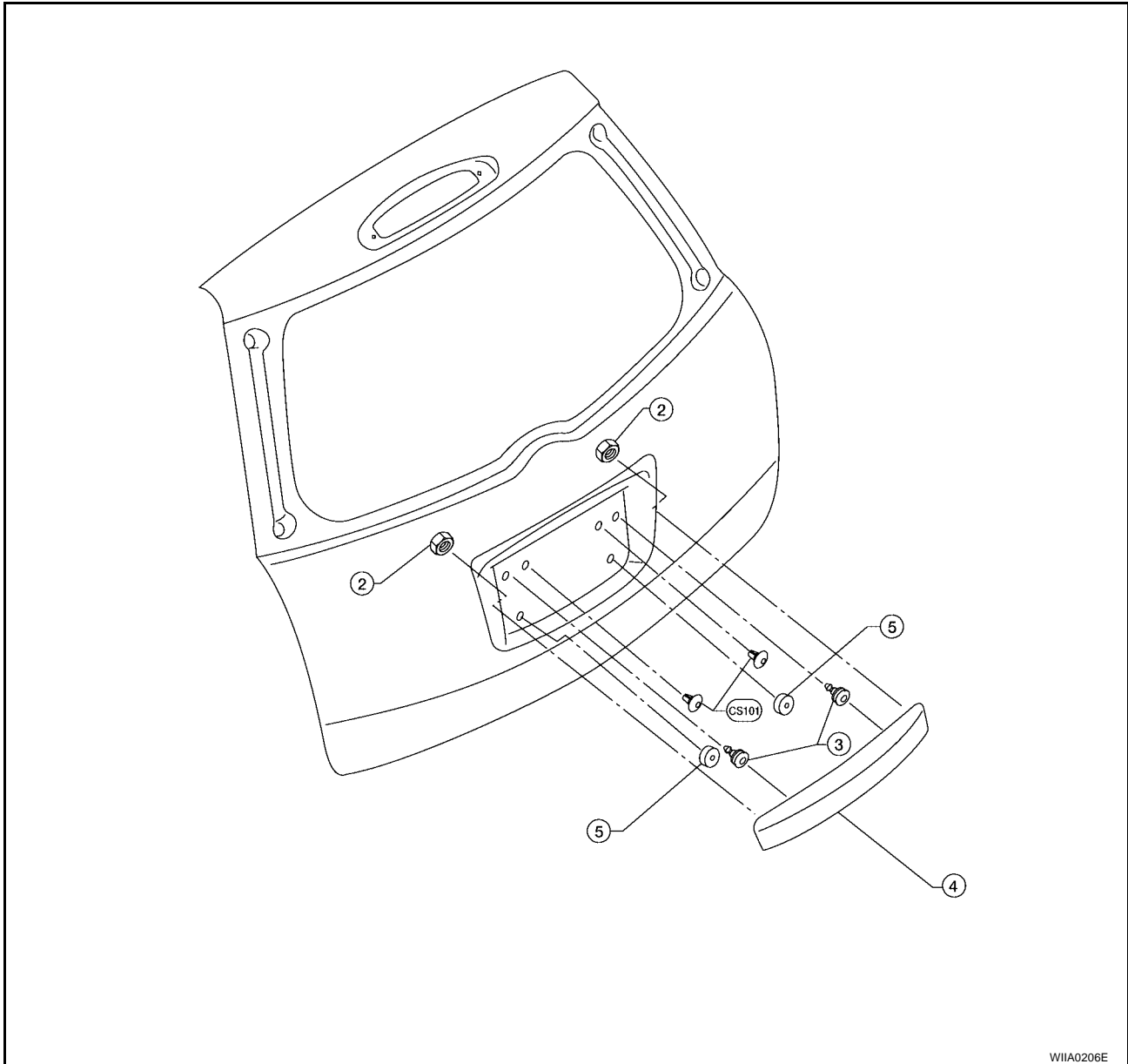
LICENSE LAMP FINISHER

LICENSE LAMP FINISHER

PF0:84810

Removal and Installation

EIS001VP



1. Remove back door finisher. Refer to [EI-30, "BODY SIDE TRIM"](#).
2. Remove nuts from license lamp finisher.
3. Release clips on license lamp finisher.
4. Remove license lamp finisher.
5. Remove rubber bumpers.

NOTE:

If replacing rubber bumpers, clean surface where rubber bumpers will be mounted with isopropyl alcohol or equivalent to degrease the surface.

Installation is in the reverse order of removal.

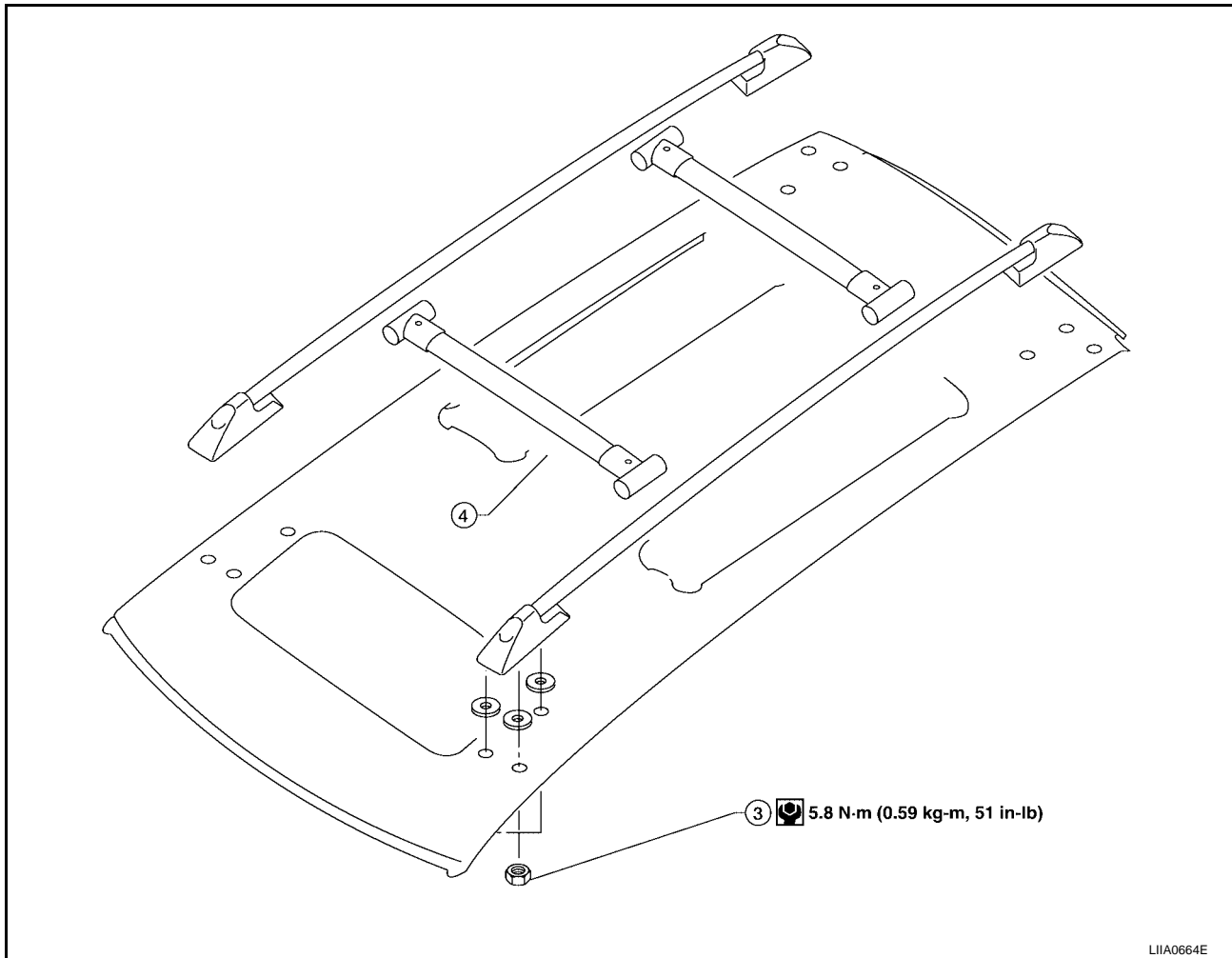
ROOF RACK

ROOF RACK

PF:73155

Removal and Installation

EIS001XX



1. Remove body side trim. Refer to [EI-30, "BODY SIDE TRIM"](#).
2. Remove headlining. Refer to [EI-36, "HEADLINING"](#).
3. Remove roof rack.
 - Remove nuts.
4. Remove crossbars.
 - Remove screws from crossbar brackets.

Installation is in the reverse order of removal.

- Ensure the arrows on the crossbar brackets are pointing forward.
- Be sure to install the foam washers with the soft side (non-plastic) facing towards the roof sheet metal.

A
B
C
D
E
F
G
H
EI
J
K
L
M

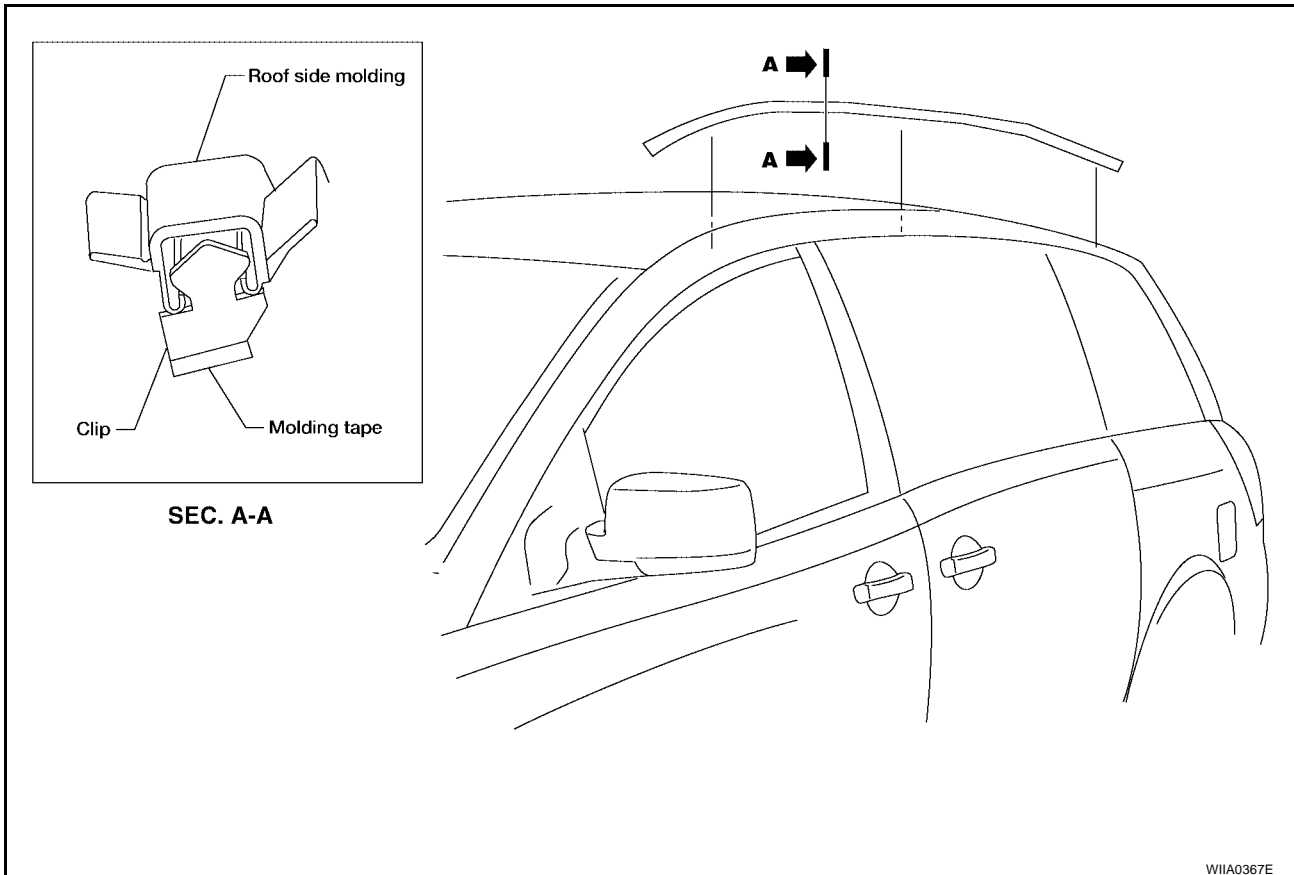
ROOF SIDE MOLDING

PFP:73854

ROOF SIDE MOLDING

Removal and Installation

EIS001VR



W11A0367E

1. Lift roof side molding from front edge.
2. Remove roof side molding.
 - Molding clips are attached to vehicle with tape.

Installation is in the reverse order of removal.

- Clean surface of roof where clips with molding tape will be mounted and surface of molding clip where tape is attached with isopropyl alcohol or equivalent to degrease the surface.
- Use new molding tape on clips during installation.

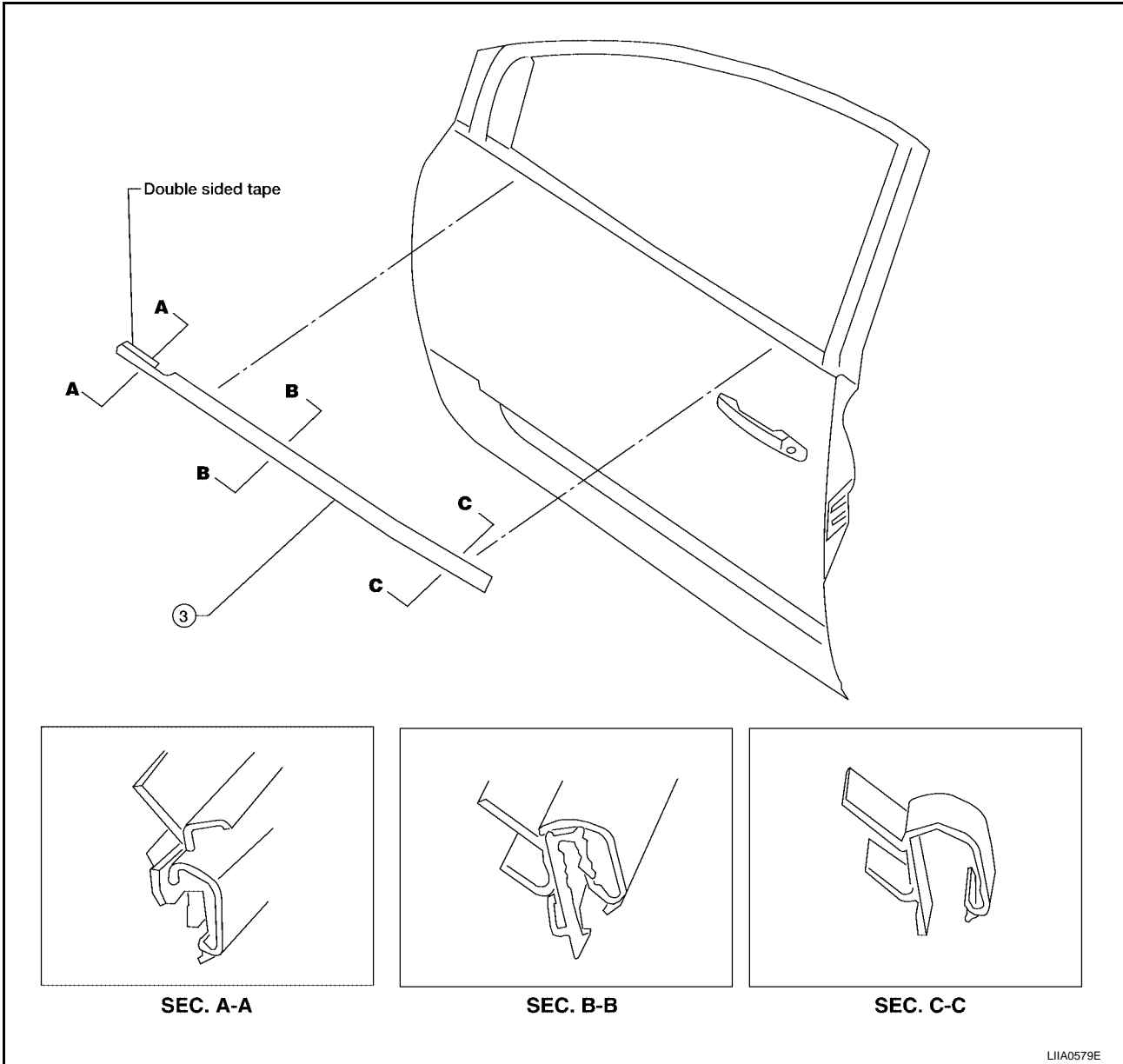
DOOR OUTSIDE MOLDING

PFP:82820

DOOR OUTSIDE MOLDING

Removal and Installation

EIS001VT



A
B
C
D
E
F
G
H
EI
J
K
L
M

FRONT DOOR OUTSIDE MOLDING

Removal and Installation

1. Open windows fully.
2. Remove door mirror. Refer to [GW-108, "Door Mirror Assembly"](#).
3. Remove molding.
 - Lift molding from rear side.
 - Disconnect clips from flange.
 - Front end of molding has double sided tape. Carefully separate double sided tape from door sheet metal.

Installation is in the reverse order of removal.

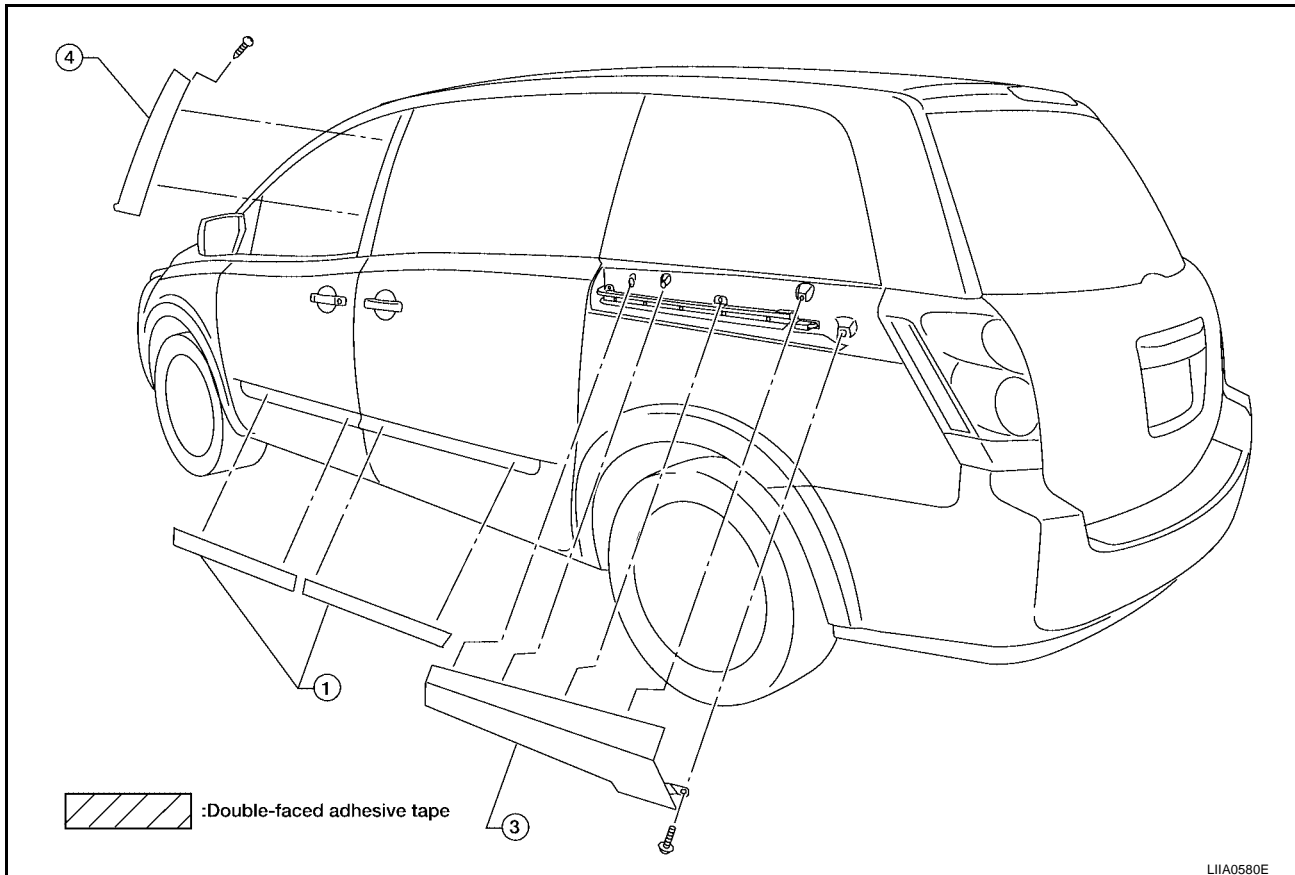
SIDE GUARD MOLDING

PFP:76840

SIDE GUARD MOLDING

Removal and Installation

EIS001VU



REMOVAL

CAUTION:

Never apply tack-paper adhesive remover to body panel surface finished with lacquer-based paints.

- Original side guard molding is affixed to body panel with double-faced adhesive tape.
- 1. Heat molding to between 30° and 40°C (86° to 104°F) with a heat gun.
- 2. Raise end of molding and cut away tape to remove molding. Remove all traces of tape.
- 3. Remove LH rear combination lamp. Refer to [LT-124, "REAR COMBINATION LAMP"](#).
- 4. Remove screw from slide door rail cover.
- 5. Open sliding door and release the front clip.
- 6. Close sliding door. Carefully pull off slide door rail cover releasing clips so as not to deform body sheet metal.
- 7. Remove door sash cover.
 - Remove screw from top of door sash cover.
 - Pull bottom of door sash cover outward and pull up off hooks.

INSTALLATION

- On vehicles coated with Hard Clear Coat, use double-faced 3M adhesive tape Product No. 4210 or equivalent, after priming with 3M primer Product No. N200 or C-100 or equivalent.
- The repair parts are also affixed with double-faced adhesive tape.
- To re-use existing molding, clean all traces of double sided tape from the molding and apply new double-faced tape to the molding.
- 1. Clean the panel surface with isopropyl alcohol or equivalent to degrease the surface.
- 2. Heat the panel and molding tape surface to 30° to 40°C (86° to 104°F).
- 3. Remove the backing sheet from the tape surface.
- 4. Press ends by hand and use a roller to apply 5 kg-f (11 lbs-f) to press molding to door surface.

SIDE GUARD MOLDING

CAUTION:

To secure contact, do not wash vehicle for 24 hours after installation.

5. Install slide door rail cover in the reverse order of removal.

NOTE:

Always discard clips and replace with new clips.

6. Install door sash cover in the reverse order of removal.

A

B

C

D

E

F

G

H

EI

J

K

L

M

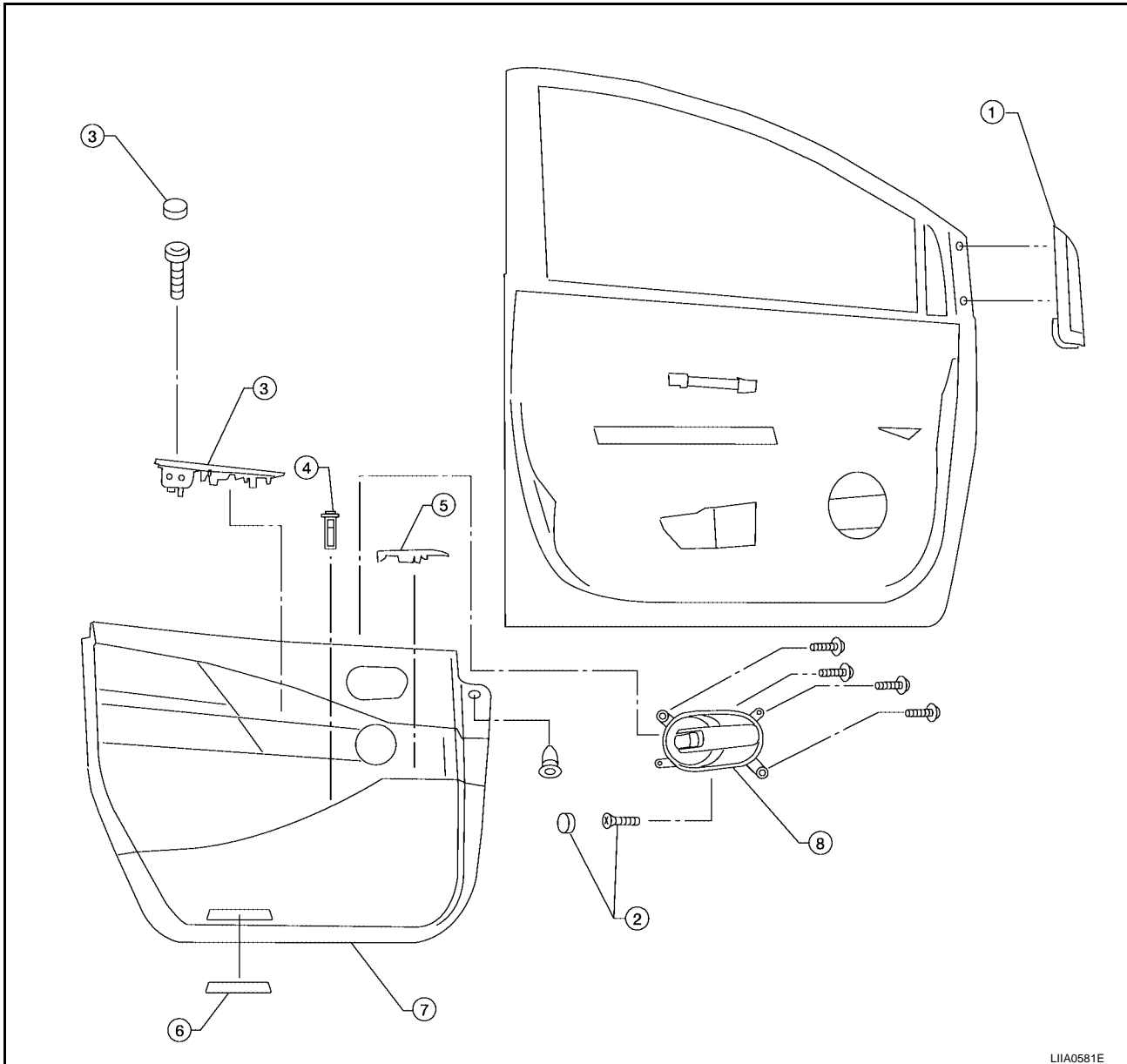
DOOR FINISHER

DOOR FINISHER

PFP:80900

Removal and Installation FRONT DOOR

EIS001VV

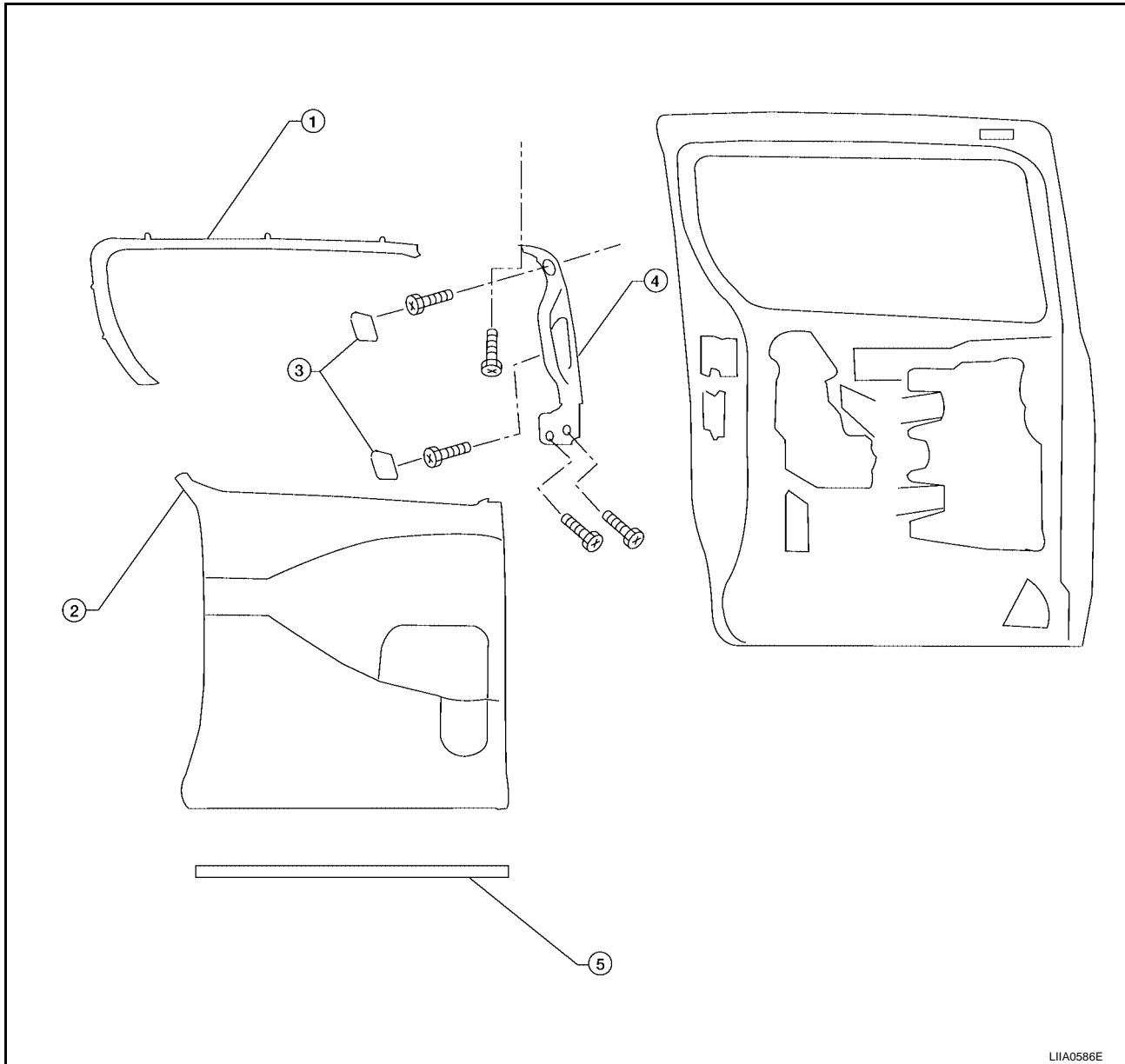


1. Remove front corner cover.
2. Remove screw cover from handle escutcheon and remove screw.
3. Remove power window and door lock/unlock switch assembly.
 - Remove screw cover and screw.
 - Disconnect harness connectors.
4. Remove fuel door release switch.
 - Disconnect harness connectors.
5. Remove memory seat switch.
 - Disconnect harness connectors.
6. Remove step light.
 - Disconnect harness connectors.
7. Remove door finisher and disconnect lock cable and handle cable from door handle assembly.
 - Remove door lock cable and door handle cable. Refer to [BL-166, "FRONT DOOR LOCK"](#).
8. Remove door handle assembly.

DOOR FINISHER

Installation is in the reverse order of removal.

SLIDING DOOR



1. Remove sliding door garnish.
2. Remove sliding door finisher assembly.
3. Remove sliding door handle screw covers.
4. Remove sliding door handle assembly.
 - Disconnect door lock cable and door handle cable. Refer to [BL-169, "SLIDE DOOR LOCK"](#) .
5. Remove lower seal.

Installation is in the reverse order of removal.

A
B
C
D
E
F
G
H
EI
J
K
L
M

BODY SIDE TRIM

PFP:76913

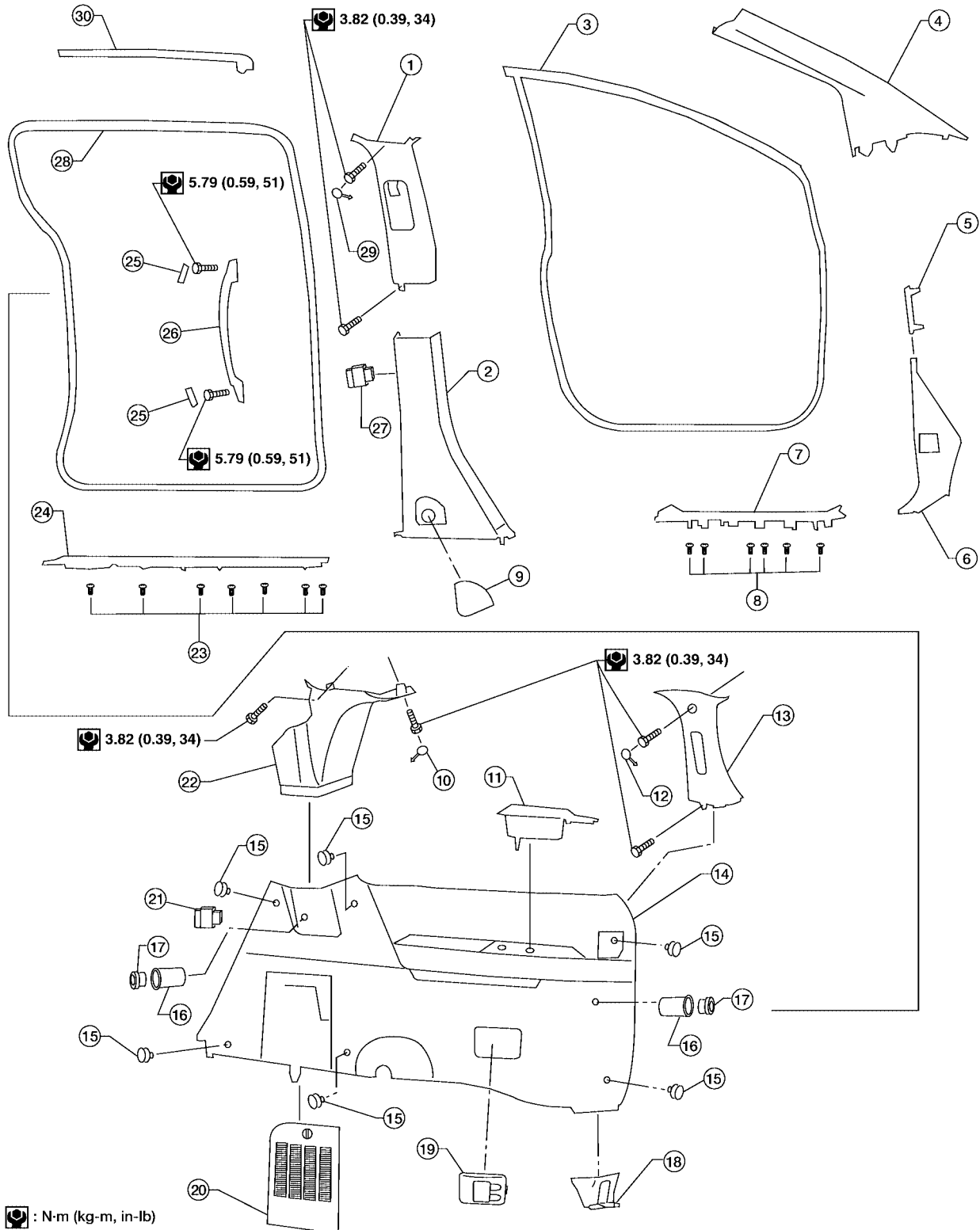
EIS001VW

BODY SIDE TRIM

Removal and Installation LEFT SIDE

CAUTION:

- Wrap the tip of flat-bladed screwdriver with a cloth when removing metal clips from finishers.
- When removing or installing body side welts, do not allow butyl seal to come in contact with pillar finisher.



LIIA0625E

BODY SIDE TRIM

-
- | | | | |
|--------------------------------------|-------------------------------------|--|---|
| 1. Center pillar upper finisher LH | 2. Center pillar lower finisher LH | 3. Front door welt | |
| 4. Front pillar finisher LH | 5. Upper dash side finisher LH | 6. Lower dash side finisher LH | A |
| 7. Front kicking plate | 8. Trim clips | 9. Center pillar lower escutcheon LH | |
| 10. Rear finisher cover | 11. Luggage side cup holder LH | 12. Center finisher cover | B |
| 13. Rear center pillar finisher LH | 14. Rear lower finisher assembly LH | 15. Cargo net hooks | |
| 16. Power point | 17. Power point cap | 18. Rear kick escutcheon LH | |
| 19. Luggage side lower escutcheon LH | 20. Luggage side panel LH | 21. Power sliding door switch assembly | C |
| 22. Rear pillar upper finisher LH | 23. Trim clips | 24. Rear kicking plate | |
| 25. Assist grip end caps | 26. Center pillar assist grip | 27. Back door open/close switch | D |
| 28. Sliding door welt | 29. Center pillar upper cover | 30. Sliding door drip weatherstrip LH | |

E

F

G

H

EI

J

K

L

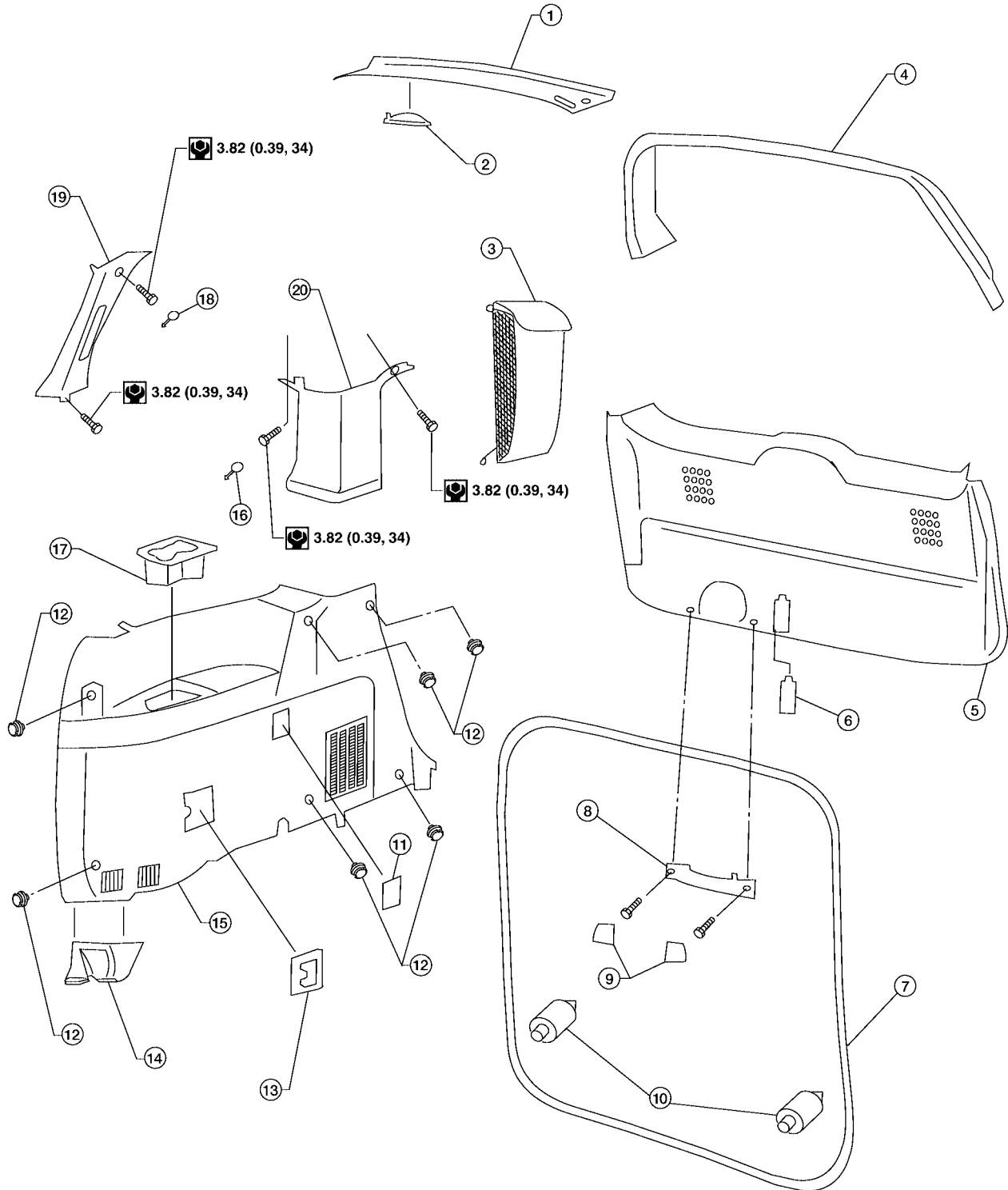
M


BODY SIDE TRIM

RIGHT SIDE AND REAR

CAUTION:

- Wrap the tip of flat-bladed screwdriver with a cloth when removing metal clips from garnishes.
- When removing or installing body side welts, do not allow butyl seal to come in contact with pillar garnish.



 : N-m (kg-m, in-lb)

- 1. Roof finisher
- 4. Back door upper finisher

- 2. Luggage room lamp
- 5. Back door lower finisher

- 3. Cargo net
- 6. Back door mask

LIA0661E

BODY SIDE TRIM

- | | | |
|--------------------------------------|-----------------------------------|-------------------------------------|
| 7. Back door welt | 8. Back door pull handle | 9. Pull handle covers RH/LH |
| 10. Back door bumpers | 11. Gas leak check lid | 12. Cargo net hooks |
| 13. Luggage side lower escutcheon RH | 14. Rear kick escutcheon RH | 15. Rear lower finisher assembly RH |
| 16. Rear pillar cover RH | 17. Cup holder luggage side RH | 18. Center pillar cover RH |
| 19. Rear center pillar finisher RH | 20. Rear pillar upper finisher RH | |

A
B

CENTER PILLAR LOWER FINISHER

Removal and Installation

1. Remove seat belt anchor. Refer to [SB-4, "Removal and Installation of Front Seat Belt"](#) .
2. Remove front and rear kicking plates.
3. Remove center pillar lower finisher.
 - Disconnect harness to back door opener switch.

Installation is in the reverse order of removal.

C
D

CENTER PILLAR UPPER FINISHER

Removal and Installation

1. Remove seat belt shoulder anchor and D ring. Refer to [SB-4, "Removal and Installation of Front Seat Belt"](#) .
2. Remove front and rear kicking plates.
3. Remove center pillar lower finisher.
4. Remove cover and screws.
5. Remove center pillar upper finisher.

Installation is in the reverse order of removal.

E
F

REAR CENTER PILLAR FINISHER

Removal and Installation

1. Remove rear kicking plate.
2. Remove rear kick escutcheon.
3. Remove rear lower finisher assembly. Refer to [EI-34, "REAR LOWER FINISHER ASSEMBLY"](#) .
4. Remove cover and screws from rear center pillar finisher.
5. Remove rear center pillar finisher.

Installation is in the reverse order of removal.

G
H

DASH SIDE FINISHER

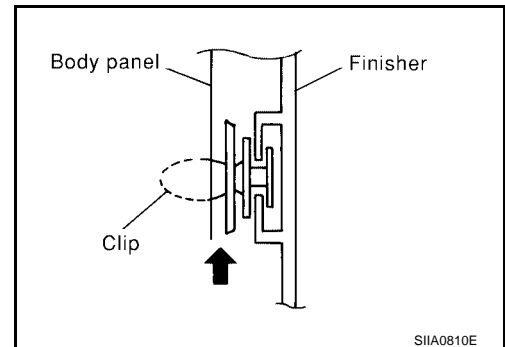
Removal and Installation

1. Remove front kicking plate.
2. Remove upper dash side finisher.
3. Remove lower dash side finisher.

CAUTION:

Insert screw driver rolled with cloth between panel on vehicle and clip (as indicated with arrow), and disconnect clip.

Installation is in the reverse order of removal.



EI
J

FRONT PILLAR FINISHER

Removal and Installation

1. Remove defrost grille assembly. Refer to [IP-10, "INSTRUMENT PANEL ASSEMBLY"](#) .
2. Remove upper dash side finisher.
3. Remove front pillar finisher.

Installation is in the reverse order of removal.

L
M

BODY SIDE TRIM

REAR LOWER FINISHER ASSEMBLY

Removal and Installation

1. Remove rear kicking plate.
2. Remove rear kick escutcheon.
3. Remove cargo net hooks, using Tool.

Tool number : (—) J-47126

4. Remove rear lower finisher assembly.
5. Remove cover and screws from rear center pillar finisher.
6. Remove rear center pillar finisher.

Installation is in the reverse order of removal.

REAR PILLAR UPPER FINISHER

Removal and Installation

1. Remove rear kicking plate.
2. Remove rear kick escutcheon.
3. Remove rear lower finisher assembly. Refer to [EI-34, "REAR LOWER FINISHER ASSEMBLY"](#).
4. Remove cover and screws from rear pillar upper finisher.
5. Remove rear pillar upper finisher.

Installation is in the reverse order of removal.

BACK DOOR LOWER FINISHER

Removal and Installation

1. Remove pull handle covers.
2. Remove screws and remove back door pull handle.
3. Remove back door lower finisher.

Installation is in the reverse order of removal.

BACK DOOR UPPER FINISHER

Removal and Installation

1. Remove back door lower finisher.
2. Disconnect top of door open/close link. Refer to [BL-160, "DOOR"](#).
3. Release clips and remove back door upper finisher.

Installation is in the reverse order of removal.

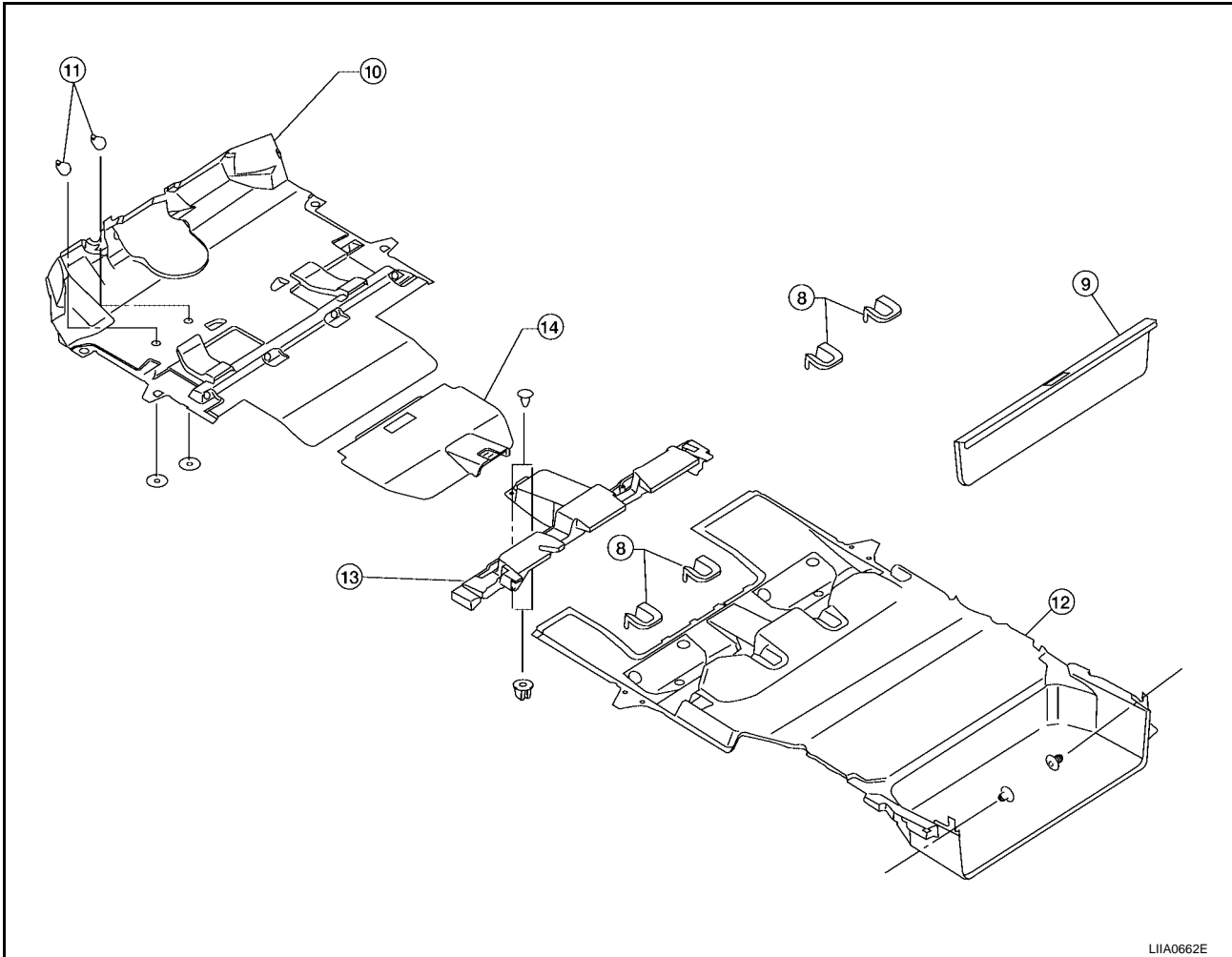
FLOOR TRIM

PF:74902

FLOOR TRIM

Removal and Installation

EIS001W1



LIA0662E

1. Remove rear lower finisher assembly. Refer to [EI-30, "BODY SIDE TRIM"](#) .
 2. Remove front seats. Refer to [SE-89, "FRONT SEAT"](#) .
 3. Remove rear seats. Refer to [SE-100, "REAR SEAT"](#) .
 4. Remove 3rd row rear seat assembly. Refer to [SE-100, "REAR SEAT"](#) .
 5. Remove kicking plates. Refer to [EI-30, "BODY SIDE TRIM"](#) .
 6. Remove center console. Refer to [IP-10, "INSTRUMENT PANEL ASSEMBLY"](#) .
 7. Remove lower seat belt anchors. Refer to [SB-4, "SEAT BELTS"](#) .
 8. Remove rear seat striker covers.
 9. Remove tailgate kicking plate assembly.
 10. Remove front carpet.
 11. Remove floor mat hooks from front carpet.
 12. Remove rear carpet assembly.
 13. Remove front floor spacer.
 14. Remove spare tire cover.
- Installation is in the reverse order of removal.

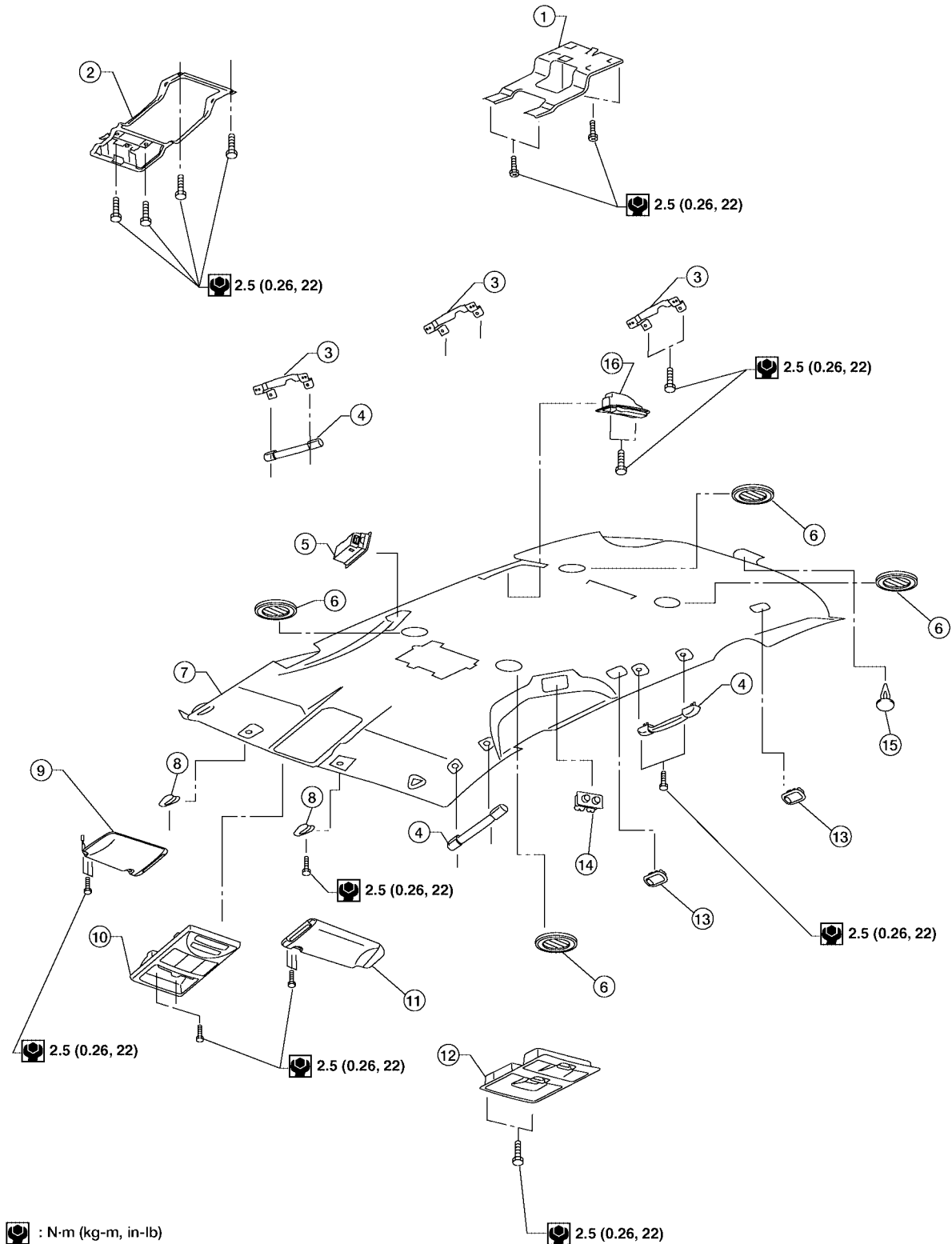
HEADLINING

PFP:73910

EIS001W2

HEADLINING

Removal and Installation



WIIA0211E

- | | | |
|---------------------------------|--------------------------------|--------------------------------|
| 1. Rear roof console bracket | 2. Front roof console bracket | 3. Assist grip bracket |
| 4. Assist grip | 5. Rear audio control assembly | 6. Air vent |
| 7. Headlining | 8. Sun visor holder | 9. Sun visor assembly LH |
| 10. Front roof console assembly | 11. Sun visor assembly RH | 12. Rear roof console assembly |

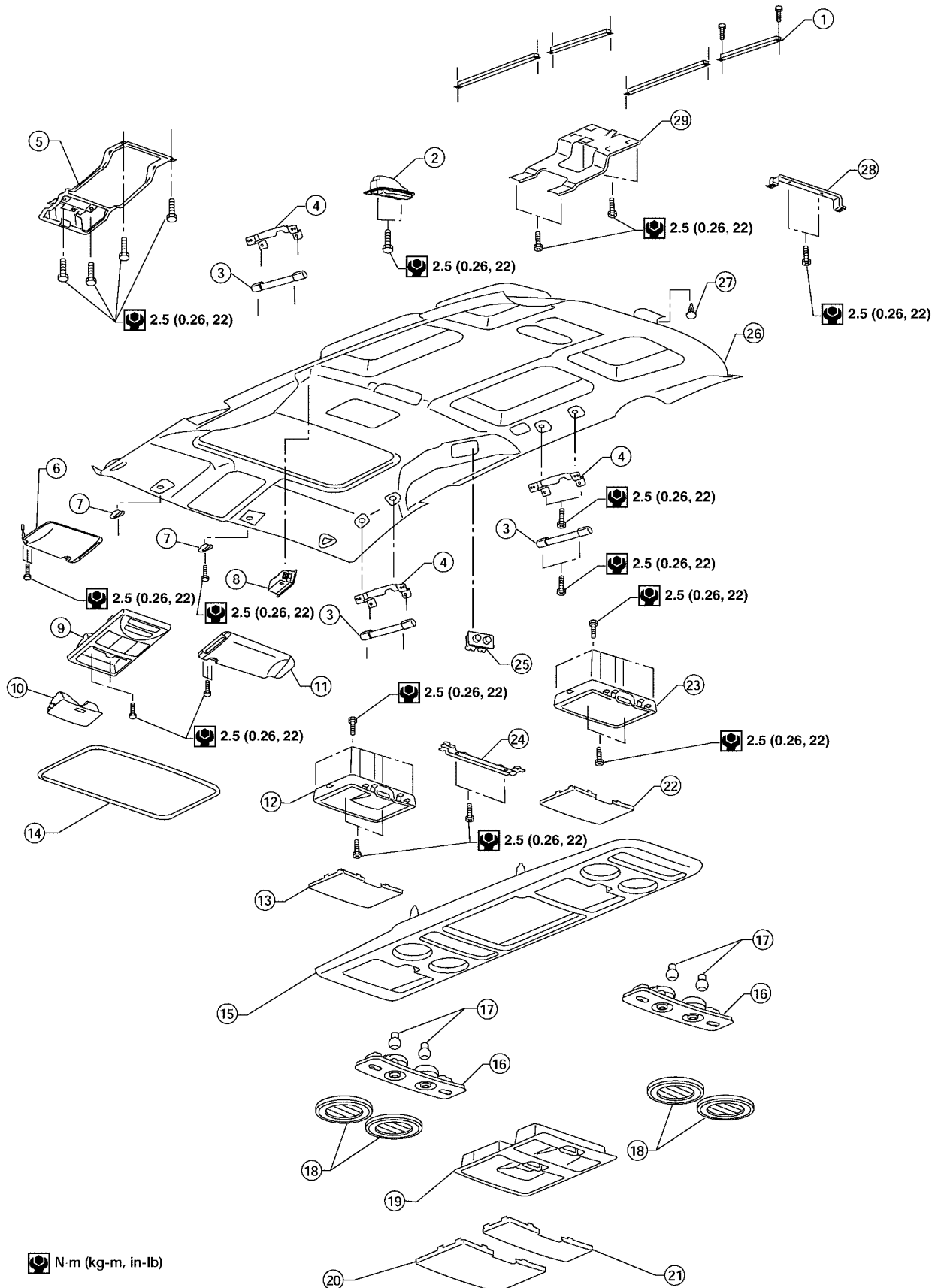
HEADLINING

13. Interior lamp assembly

14. Rear HVAC control assembly

15. Plastic clip

16. Coat hanger



A
B
C
D
E
F
G
H
EI
J
K
L
M

HEADLINING

-
- | | | |
|-------------------------------------|-------------------------------------|-------------------------------------|
| 1. Sunshade | 2. Coat hanger | 3. Assist grip |
| 4. Assist grip bracket | 5. Front roof console bracket | 6. Sun visor assembly LH |
| 7. Sun visor holder | 8. Rear audio control assembly | 9. Front roof console assembly |
| 10. Front sunglass bin | 11. Sun visor assembly RH | 12. Storage bin assembly, front |
| 13. Front storage bin door | 14. Sunroof welt | 15. Rear roof console assembly |
| 16. Lamp assembly | 17. Eyeball lamps | 18. Air vents |
| 19. Storage bin assembly, center | 20. Center storage bin door | 21. Center sunglass bin |
| 22. Rear storage bin door | 23. Rear storage bin assembly | 24. Rear roof console lower bracket |
| 25. Rear HVAC control assembly | 26. Headlining | 27. Plastic clip |
| 28. Rear roof console upper bracket | 29. Rear roof console front bracket | |

CAUTION:

Disconnect both battery terminals.

1. Remove sun visor assemblies.
 - Disconnect harness from each sun visor assembly.
2. Remove sun visor holders.
3. Remove front assembly.
 - Disconnect harnesses from sunroof switch assembly.
4. Remove sunroof welt.
5. Remove defrost grille assembly. Refer to [IP-10, "INSTRUMENT PANEL ASSEMBLY"](#) .
6. Remove front pillar finishers. Refer to [EI-30, "BODY SIDE TRIM"](#) .
7. Remove front kicking plates and door welts. Refer to [EI-30, "BODY SIDE TRIM"](#) .
8. Remove center pillar assist grips. Refer to [EI-30, "BODY SIDE TRIM"](#) .
9. Remove assist grips from headlining.
10. Remove sliding door kicking plates and door welts. Refer to [EI-30, "BODY SIDE TRIM"](#) .
11. Remove center pillar seat belt anchors. Refer to [SB-4, "SEAT BELTS"](#) .
12. Remove center pillar lower finishers. Refer to [EI-30, "BODY SIDE TRIM"](#) .
 - Disconnect harness from door open/close switch.
13. Remove center pillar upper finishers. Refer to [EI-30, "BODY SIDE TRIM"](#) .
14. Remove tailgate kicking plate assembly. refer to [EI-35, "FLOOR TRIM"](#) .
15. Remove lower quarter trim. Refer to [EI-30, "BODY SIDE TRIM"](#) .
16. Remove roof finisher. refer to [EI-30, "BODY SIDE TRIM"](#) .
17. Remove seat belt D rings from rear center pillar finishers and rear upper finishers. Refer to [SB-4, "SEAT BELTS"](#) .
18. Remove front and rear upper quarter trim. Refer to [EI-30, "BODY SIDE TRIM"](#) .
19. Remove front and rear roof console assemblies.

NOTE:

Release clips from the rear of the rear roof console assembly.

20. Remove lower rear console bracket.
21. Remove rear audio control assembly.
 - Disconnect harness from audio control.
22. Remove HVAC control assembly.
 - Disconnect harnesses from HVAC control.
23. Disconnect rear washer hose from headlining.
24. Remove headlining.
25. Remove the front roof console bracket.
26. Remove rear roof console front bracket.
27. Remove rear roof console upper bracket.
28. Remove assist grip brackets from roof.

Installation is in the reverse order of removal.