

A  
B  
C

# WT

## SECTION

### ROAD WHEELS & TIRES

## CONTENTS

WT

<b>PREPARATION</b> .....	<b>2</b>		
Special Service Tool .....	2	How to Perform Trouble Diagnosis for Quick and	19
Commercial Service Tools .....	2	Accurate Repair .....	21
<b>NOISE, VIBRATION, AND HARSHNESS (NVH)</b>		INTRODUCTION .....	21
<b>TROUBLESHOOTING</b> .....	<b>3</b>	WORK FLOW .....	21
NVH Troubleshooting Chart .....	3	Preliminary Check .....	22
<b>ROAD WHEEL</b> .....	<b>4</b>	Malfunction Code/Symptom Chart .....	23
Inspection .....	4	<b>TROUBLE DIAGNOSIS FOR SELF-DIAGNOSTIC</b>	
ALUMINUM WHEEL .....	4	<b>ITEMS</b> .....	<b>25</b>
STEEL WHEEL .....	4	Inspection 1: Transmitter or BCM .....	25
<b>ROAD WHEEL TIRE ASSEMBLY</b> .....	<b>5</b>	MALFUNCTION CODE NO. 21, 22, 23 OR 24 ...	25
Balancing Wheels (Bonding Weight Type) .....	5	Inspection 2: Transmitter - 1 .....	25
Rotation .....	6	MALFUNCTION CODE NO. 31, 32, 33, 34, 41,	
<b>LOW TIRE PRESSURE WARNING SYSTEM</b> .....	<b>7</b>	42, 43, 44, 45, 46, 47 OR 48 .....	25
System Components .....	7	Inspection 3: Transmitter - 2 .....	26
System Description .....	7	MALFUNCTION CODE NO. 35, 36, 37 OR 38 ...	26
TRANSMITTER .....	7	Inspection 4: Vehicle Speed Signal .....	27
REMOTE KEYLESS ENTRY RECEIVER .....	8	MALFUNCTION CODE NO. 52 .....	27
BCM (BODY CONTROL MODULE) .....	8	<b>TROUBLE DIAGNOSIS FOR SYMPTOMS</b> .....	<b>28</b>
COMBINATION METER .....	8	Inspection 1: Warning Lamp Does Not Come On	
DISPLAY UNIT .....	8	When Ignition Switch Is Turned On. ....	28
<b>CAN COMMUNICATION</b> .....	<b>10</b>	Inspection 2: Warning Lamp Stays On When Ignition	
System Description .....	10	Switch Is Turned On. ....	29
<b>TROUBLE DIAGNOSES</b> .....	<b>11</b>	Inspection 3: Warning Lamp Flashes When Ignition	
Wiring Diagram — T/WARN — .....	11	Switch Is Turned On. ....	30
Terminals and Reference Value for BCM .....	12	Inspection 4: Hazard Warning Lamp Flashes When	
ID Registration Procedure .....	13	Ignition Switch Is Turned On. ....	31
ID REGISTRATION WITH TRANSMITTER		Inspection 5: "TIRE PRESSURE" Information In	
ACTIVATION TOOL .....	13	Display Unit Does Not Exist. ....	32
ID REGISTRATION WITHOUT TRANSMITTER		Inspection 6: ID Registration Cannot Be Completed..	32
ACTIVATION TOOL .....	15	<b>REMOVAL AND INSTALLATION</b> .....	<b>33</b>
Transmitter Wake Up Operation .....	17	Transmitter .....	33
WITH TRANSMITTER ACTIVATION TOOL .....	17	REMOVAL .....	33
CONSULT-II Function (BCM) .....	18	INSTALLATION .....	33
Self-Diagnosis .....	19	<b>SERVICE DATA</b> .....	<b>35</b>
DESCRIPTION .....	19	Road Wheel .....	35
FUNCTION .....	19	Tire .....	35

F  
G  
H  
I  
J  
K  
L  
M

# PREPARATION

## PREPARATION

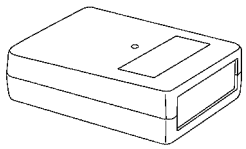
PFP:00002

### Special Service Tool

EES0000T

The actual shapes of Kent-Moore tools may differ from those of special service tools illustrated here.

Tool number (Kent-Moore No.) Tool name	Description
— (J - 45295) Transmitter activation tool	ID registration

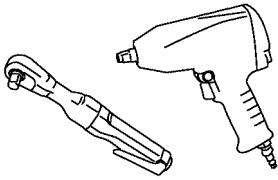


SEIA0051E

### Commercial Service Tools

EES0000U

Tool name	Description
Power tool	Removing wheel nuts



PBIC0190E

# NOISE, VIBRATION, AND HARSHNESS (NVH) TROUBLESHOOTING

## NOISE, VIBRATION, AND HARSHNESS (NVH) TROUBLESHOOTING

PFP:00003

### NVH Troubleshooting Chart

EES0000V

Use the chart below to help you find the cause of the symptom. If necessary, repair or replace these parts.

			<a href="#">FAX-5</a> , <a href="#">FSU-6</a>	<a href="#">WT-4</a>	<a href="#">WT-5</a>	<a href="#">WT-35</a>	<a href="#">WT-6</a>			<a href="#">WT-35</a>	<a href="#">FAX-4</a> , <a href="#">RAX-4</a> (4 A/T) <a href="#">FAX-4</a> , <a href="#">RAX-4</a> (5 A/T)	<a href="#">FSU-5</a> <a href="#">FAX-4</a>	<a href="#">RAX-4</a> <a href="#">RSU-4</a>	Refer to TIRES in this chart.	Refer to ROAD WHEEL in this chart.	<a href="#">FAX-4</a>	<a href="#">BR-5</a>	<a href="#">PS-5</a>		
Reference page																				
Possible cause and SUSPECTED PARTS			Improper installation, looseness	Out-of-round	Imbalance	Incorrect tire pressure	Uneven tire wear	Deformation or damage	Non-uniformity	Incorrect tire size	DIFFERENTIAL	FRONT AXLE AND FRONT SUSPENSION	REAR AXLE AND REAR SUSPENSION	TIRES	ROAD WHEEL	DRIVESHAFT	BRAKE	STEERING		
Symptom	TIRES	Noise	x	x	x	x	x	x	x	x	x	x	x	x	x	x	x	x		
		Shake	x	x	x	x	x	x	x	x	x	x	x	x	x	x	x	x	x	
		Vibration				x					x		x			x				x
		Shimmy	x	x	x	x	x	x	x	x	x		x	x		x		x	x	x
	Judder	x	x	x	x	x	x			x		x	x		x		x	x	x	
	Poor quality ride or handling	x	x	x	x	x	x			x		x	x		x					
	ROAD WHEEL	Noise	x	x	x				x			x	x	x	x		x	x	x	x
		Shake	x	x	x				x				x	x	x		x	x	x	x
Shimmy, judder		x	x	x				x				x	x	x			x	x	x	
Poor quality ride or handling		x	x	x				x				x	x	x						

x: Applicable

A  
B  
C  
D  
WT  
F  
G  
H  
I  
J  
K  
L  
M

# ROAD WHEEL

PFP:40300

EES0000W

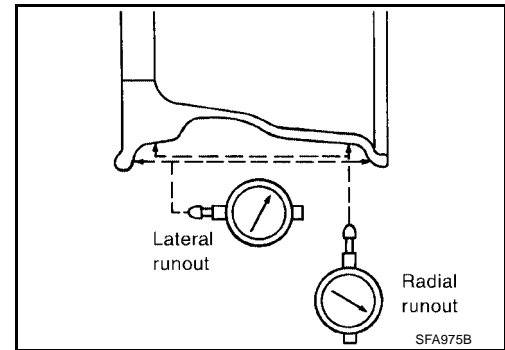
## ROAD WHEEL

### Inspection ALUMINUM WHEEL

1. Check tires for wear and improper inflation.
2. Check wheels for deformation, cracks and other damage. If deformed, remove wheel and check wheel runout.
  - a. Remove tire from aluminum wheel and mount on a tire balance machine.
  - b. Set dial indicator as shown in the illustration.

**Wheel runout (Dial indicator value):**

**Refer to [WT-35, "SERVICE DATA"](#)**



### STEEL WHEEL

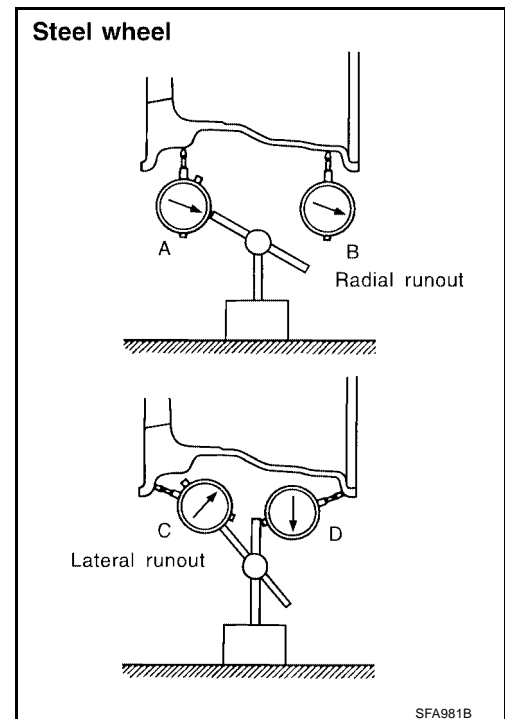
1. Check tires for wear and improper inflation.
2. Check wheels for deformation, cracks and other damage. If deformed, remove wheel and check wheel runout.
  - a. Remove tire from steel wheel and mount wheel on a tire balance machine.
  - b. Set two dial indicators as shown in the illustration.
  - c. Set each dial indicator to zero.
  - d. Rotate wheel and check dial indicators at several points around the circumference of the wheel.
  - e. Calculate runout at each point as shown below.

$$\text{Radial runout} = (A+B)/2$$

$$\text{Lateral runout} = (C+D)/2$$

- f. Select maximum positive runout value and the maximum negative value. Add the two values to determine total runout. In case a positive or negative value is not available, use the maximum value (negative or positive) for total runout. If the total runout value exceeds the limit, replace steel wheel.

**Wheel runout : Refer to [WT-35, "SERVICE DATA"](#)**



# ROAD WHEEL TIRE ASSEMBLY

PFP:40300

EES0000X

## ROAD WHEEL TIRE ASSEMBLY

### Balancing Wheels (Bonding Weight Type)

1. Remove inner and outer balance weights from the road wheel.

**CAUTION:**

**Be careful not to scratch the road wheel during removal.**

2. Using releasing agent, remove double-faced adhesive tape from the road wheel.

**CAUTION:**

- **Be careful not to scratch the road wheel during removal.**
- **After removing double-faced adhesive tape, wipe clean traces of releasing agent from the road wheel.**

3. Set road wheel on wheel balancer using the center hole as a guide. Start the tire balance machine.

- If a tire balance machine has adhesion balance weight mode settings and drive-in weight mode setting, select and adjust a drive-in weight mode suitable for road wheels.

4. When inner and outer unbalance values are shown on the wheel balancer indicator, multiply outer unbalance value by 1.6 to determine balance weight that should be used. Select the outer balance weight with a value closest to the calculated value above and install it to the designated outer position of, or at the designated angle in relation to the road wheel.

**CAUTION:**

- **Do not install the inner balance weight before installing the outer balance weight.**
- **Before installing the balance weight, be sure to clean the mating surface of the road wheel.**

**Calculation:**

Indicated unbalance value  $\times$  1.6 = balance weight to be installed

**Calculation example:**

23 g (0.81 oz)  $\times$  1.6 = 38.33 g (1.35 oz) = 40 g (1.41 oz) balance weight (closer to calculated balance weight value)

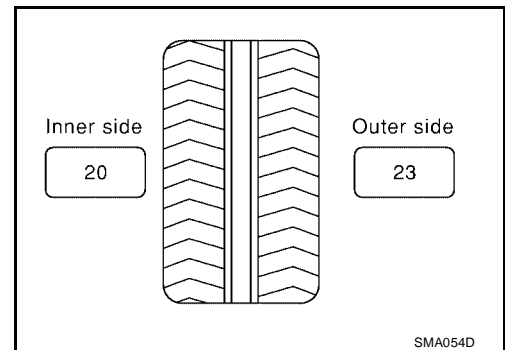
**NOTE:**

The selected balance weight value must be the closest balance weight available to the calculated balance weight value.

**Example:**

37.4 = 35 g (1.23 oz)

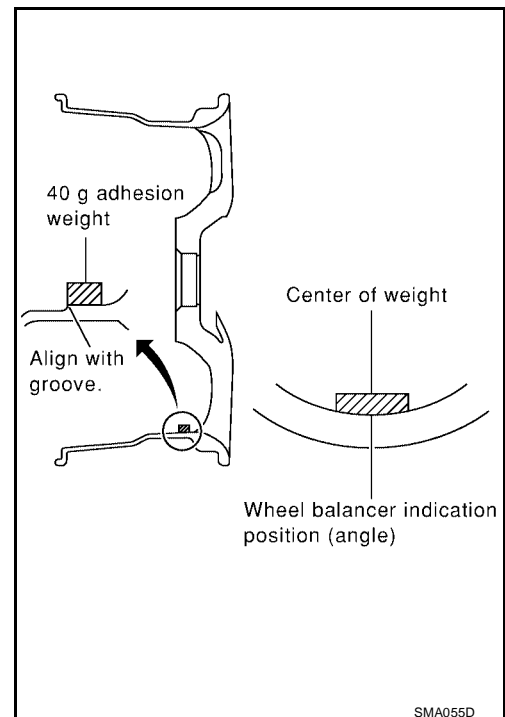
37.5 = 40 g (1.41 oz)



- a. Install balance weight in the position shown in the figure.
- b. When installing balance weight to road wheels, set it into the grooved area on the inner wall of the road wheel as shown in the figure so that the balance weight center is aligned with the wheel balancer indication position (angle).

**CAUTION:**

- **Always use Genuine NISSAN adhesion balance weights.**
- **Balance weights are not reusable; always replace with new ones.**
- **Do not install more than three pieces of balance weight.**



A  
B  
C  
D  
WT  
F  
G  
H  
I  
J  
K  
L  
M

# ROAD WHEEL TIRE ASSEMBLY

- c. If calculated balance weight value exceeds 50 g (1.76 oz), install two balance weight pieces in line with each other (as shown in the figure).

**CAUTION:**

**Do not install one balance weight piece on top of another.**

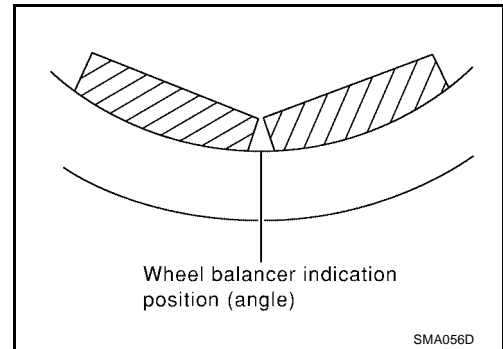
5. Start wheel balancer again.  
6. Install drive-in balance weight on inner side of road wheel in the wheel balancer indication position (angle).

**CAUTION:**

**Do not install more than two balance weights.**

7. Start wheel balancer. Make sure that inner and outer residual unbalance values are 5 g (0.18 oz) each or less.  
● If either residual unbalance value exceeds 5 g (0.18 oz), repeat installation procedures.

**Wheel balance (Maximum allowable unbalance):**



Maximum allowable unbalance	Dynamic (At rim flange)	Less than 5 g (0.18 oz) (per side)
	Static (At rim flange)	Less than 10 g (0.35 oz.)

## Rotation

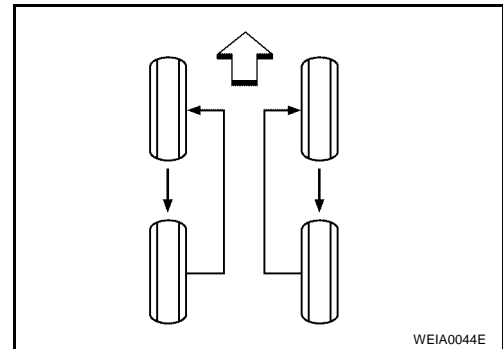
EES0000Y

- After rotating the tires, adjust the tire pressure.
- Retighten the wheel nuts when the vehicle has been driven for 1,000 km (600 miles) (also in cases of a flat tire, etc.).

**CAUTION:**

**When installing wheels, tighten them diagonally by dividing the work two to three times in order to prevent the wheels from developing any distortion.**

**Tightening torque of wheel nut:  
112 N-m (11 kg-m, 83 ft-lb)**



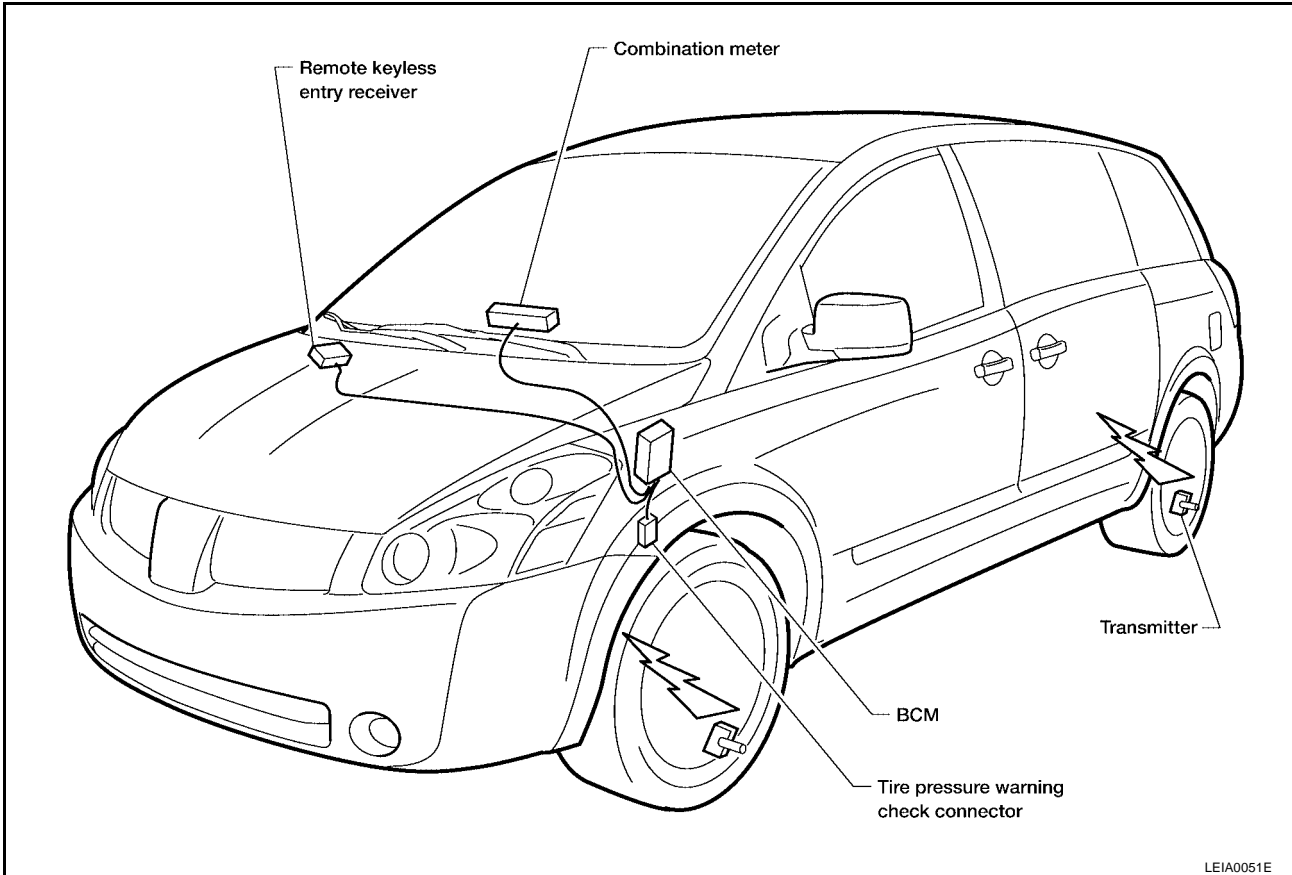
# LOW TIRE PRESSURE WARNING SYSTEM

## LOW TIRE PRESSURE WARNING SYSTEM

PFP:40300

### System Components

EES0000Z

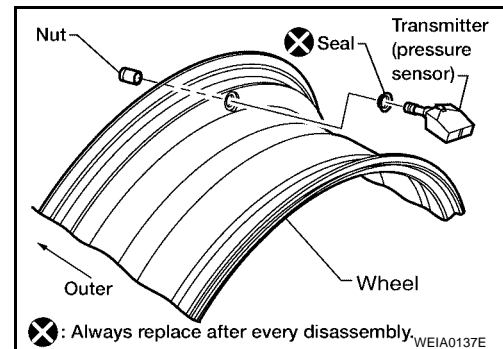


LEIA0051E

### System Description TRANSMITTER

EES000P0

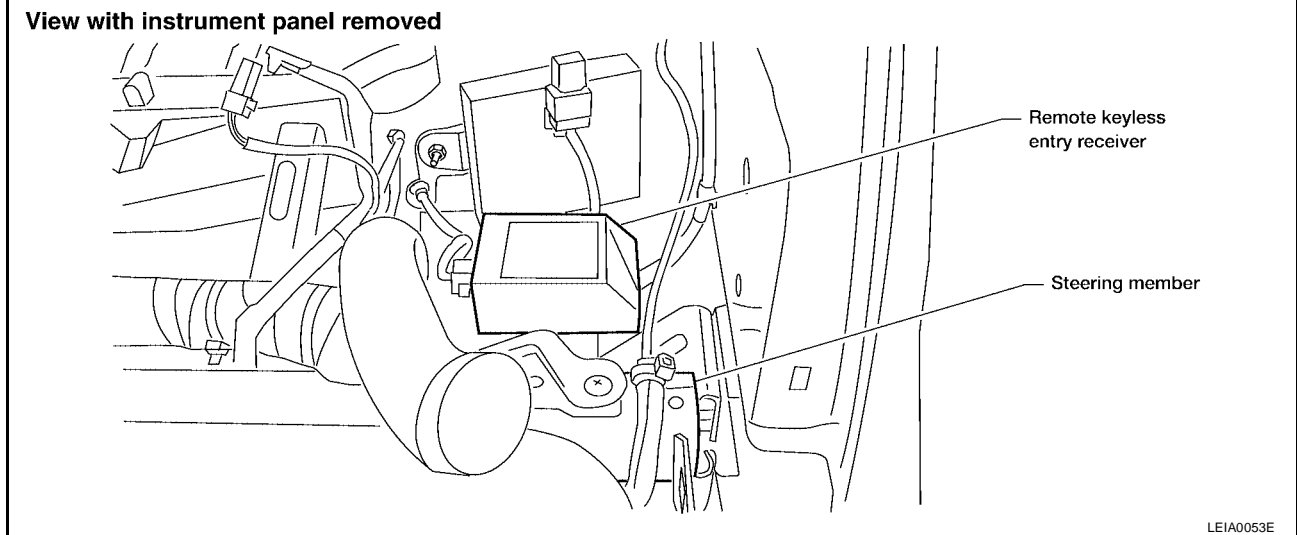
A sensor-transmitter integrated with a valve is installed on a wheel, and transmits a detected air pressure signal in the form of a radio wave.



# LOW TIRE PRESSURE WARNING SYSTEM

## REMOTE KEYLESS ENTRY RECEIVER

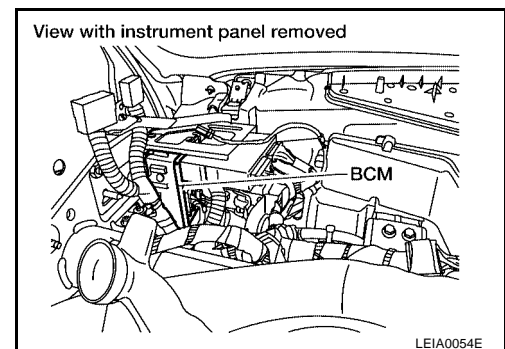
The remote keyless entry receiver receives the air pressure signal transmitted by the transmitter in each wheel.



## BCM (BODY CONTROL MODULE)

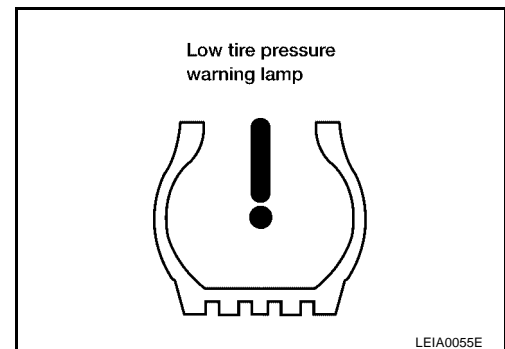
The BCM reads the air pressure signal received by the remote keyless entry receiver, and controls the combination meter warning lamp and the buzzer operations as shown below. It also has a judgment function to detect a system malfunction.

Condition	Warning lamp	Buzzer
Less than 200 kPa (2.0 kg/cm <sup>2</sup> , 29 psi) [Flat tire]	ON	Sounds for 10 sec.
System malfunction	ON	OFF



## COMBINATION METER

The combination meter receives tire pressure status from the BCM using CAN communication. When a low tire pressure condition is sensed by the BCM, the combination meter low tire pressure warning lamp and buzzer are activated.



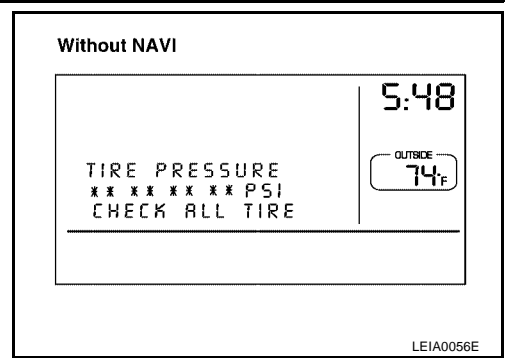
## DISPLAY UNIT

Displays the air pressure of each tire.

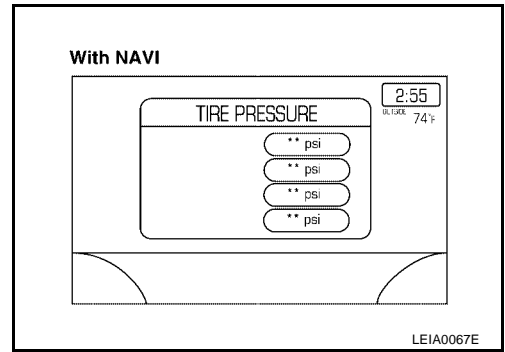


# LOW TIRE PRESSURE WARNING SYSTEM

- After the ignition switch is turned ON, the pressure values are not displayed until the data of each wheel is received.



A  
B  
C  
D



WT

F  
G  
H  
I  
J  
K  
L  
M

# CAN COMMUNICATION

---

## CAN COMMUNICATION

PF2:23710

### System Description

EES000P1

Refer to [LAN-5, "CAN COMMUNICATION"](#) .

# TROUBLE DIAGNOSES

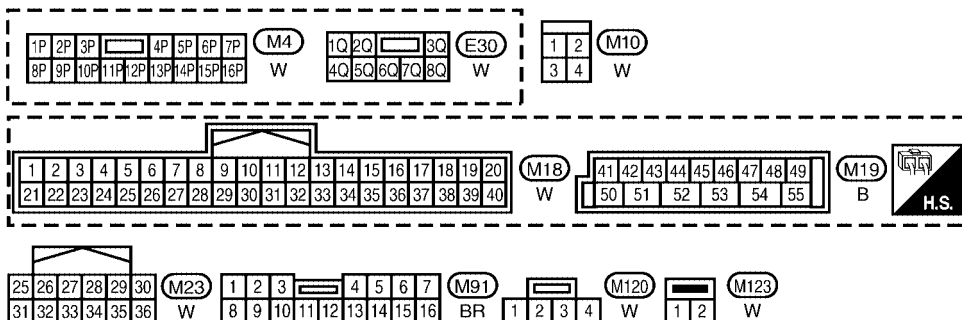
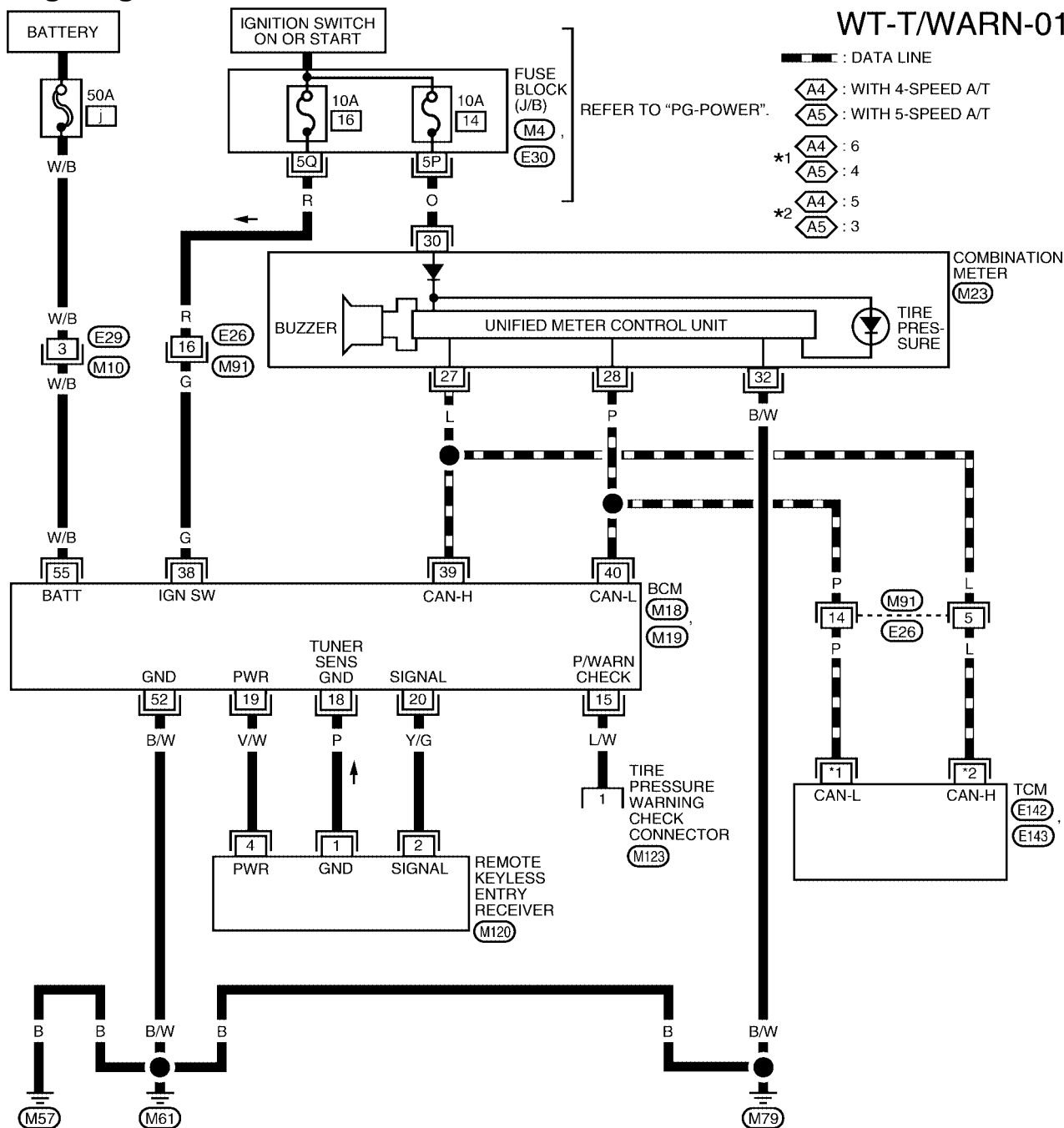
PF0:0004

## TROUBLE DIAGNOSES

### Wiring Diagram — T/WARN —

EES000P5

#### WT-T/WARN-01



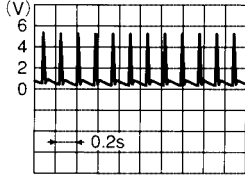
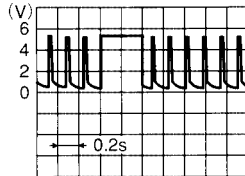
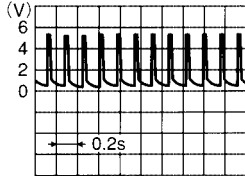
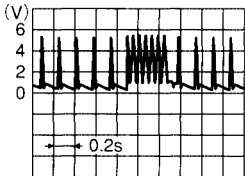
REFER TO THE FOLLOWING.  
E142, E143 - ELECTRICAL UNITS.

WEWA0054E

# TROUBLE DIAGNOSES

## Terminals and Reference Value for BCM

EES000PU

Terminal		Item	Condition	Voltage (V) (Approx.)
+	-			
15 (L/W)		Tire pressure warning check connector	—	5V
18 (P)		Remote keyless entry receiver (Ground)	—	0V
19 (V/W)	Ground	Remote keyless entry receiver (Power supply)	Stand-by	 <p style="text-align: right; font-size: small;">OCC3879D</p>
			Press any of the electronic switches	 <p style="text-align: right; font-size: small;">OCC3882D</p>
20 (Y/G)	Ground	Remote keyless entry receiver (Signal)	Stand-by	 <p style="text-align: right; font-size: small;">OCC3881D</p>
			Press any of the electronic switches	 <p style="text-align: right; font-size: small;">OCC3880D</p>
38 (G)		Ignition switch	Ignition switch ON or START	Battery voltage
39 (L)		Data line (CAN - H)	—	—
40 (P)		Data line (CAN - L)	—	—
52 (B/W)		GND	—	0V
55 (W/B)		Battery power supply	—	Battery voltage

( ) : Wire color

# TROUBLE DIAGNOSES

EES000P7

## ID Registration Procedure

### ID REGISTRATION WITH TRANSMITTER ACTIVATION TOOL

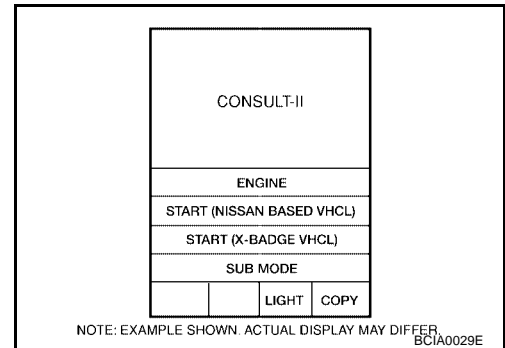
#### NOTE:

This procedure must be done after replacement of a low tire pressure warning transmitter or BCM. New replacement transmitters are provided "asleep" and must first be "woken up" using Transmitter Activation Tool J-45295 before ID registration can be performed.

#### CAUTION:

If CONSULT-II is used with no connection of CONSULT-II CONVERTER, malfunction might be detected during self-diagnosis depending on control unit which carry out CAN communication.

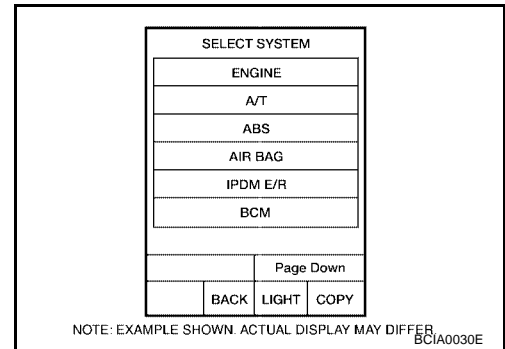
1. With the ignition switch OFF, connect CONSULT-II and CONSULT-II CONVERTER to the data link connector, then turn the ignition switch ON.
2. Select "START (NISSAN BASED VHCL)".



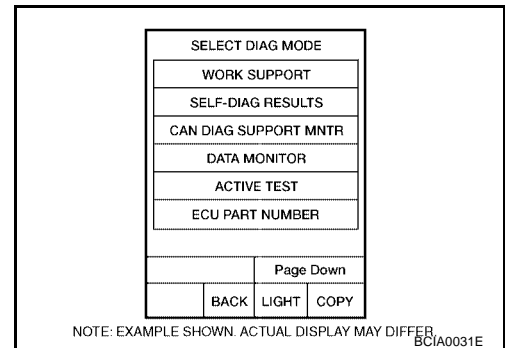
3. Touch "BCM" on "SELECT SYSTEM" screen.

#### NOTE:

If "BCM" is not indicated, go to [LAN-5, "CAN COMMUNICATION"](#).



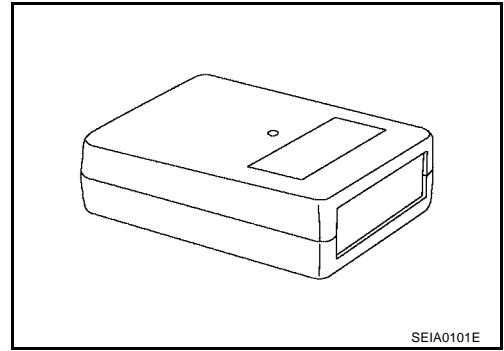
4. Select "AIR PRESSURE MONITOR" on "SELECT WORK ITEM" screen.
5. Select "WORK SUPPORT" on "SELECT DIAG MODE" screen, and select "ID REGIST".



# TROUBLE DIAGNOSES

6. With the transmitter activation tool pushed against the front left transmitter position of the tire air valve, press the button for 5 seconds.

**Tool number : (J-45295)**



7. Register the IDs in order from FR LH, FR RH, RR RH and RR LH. When ID registration of each wheel has been completed, a buzzer sounds and the hazard warning lamps flash.

Activation tire position		Buzzer	Hazard warning lamp	CONSULT-II
1	Front LH	Once	2 times flashing	"YET" ↓ "DONE"
2	Front RH	2 times		
3	Rear RH	3 times		
4	Rear LH	4 times		

8. After completing all ID registrations, press "END" to complete the procedure.

**NOTE:**

Be sure to register the IDs in order from FR LH, FR RH, RR RH, to RR LH, or the self-diagnostic results display will not function properly.

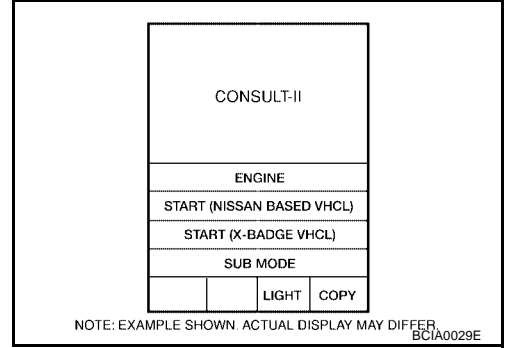
# TROUBLE DIAGNOSES

## ID REGISTRATION WITHOUT TRANSMITTER ACTIVATION TOOL

**NOTE:**

This procedure must be done after replacement of a low tire pressure warning transmitter or BCM. New replacement transmitters are provided "asleep" and must first be "woken up" using Transmitter Activation Tool J-45295 before ID registration can be performed.

1. With the ignition switch OFF, connect CONSULT-II and CONSULT-II CONVERTER to the data link connector, then turn the ignition switch ON.
2. Select "START (NISSAN BASED VHCL)".

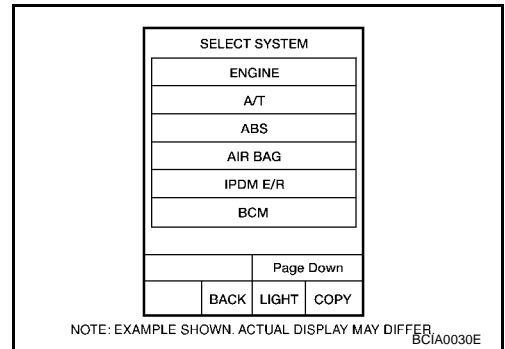


3. Touch "BCM" on "SELECT SYSTEM" screen.

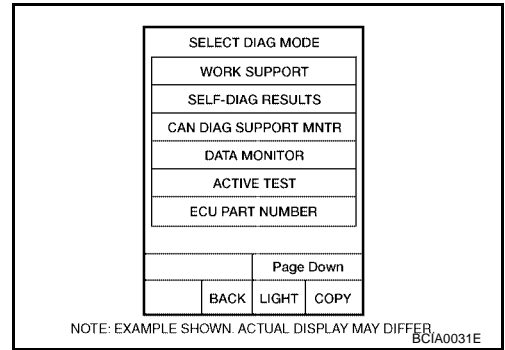
**NOTE:**

If "BCM" is not indicated, go to [LAN-5, "CAN COMMUNICATION"](#).

4. Select "AIR PRESSURE MONITOR" on "SELECT WORK ITEM" screen.



5. Select "WORK SUPPORT" on "SELECT DIAG MODE" screen, and select "ID REGIST".
6. Adjust the tire pressure to the values shown in the table below for ID registration, and drive the vehicle at 15 km/h (9.4 MPH) or more for a few minutes.



Tire position	Tire pressure kPa (kg/cm <sup>2</sup> , psi)
Front – Left	250 (2.5, 36)
Front – Right	230 (2.3, 33)
Rear – Right	210 (2.1, 30)
Rear – Left	190 (1.9, 27)

7. After completing all ID registrations, press "END" to complete the procedure.

## TROUBLE DIAGNOSES

Activation tire position	CONSULT-II
Front LH	"YET" ↓ "DONE"
Front RH	
Rear RH	
Rear LH	

8. Inflate all tires to proper pressure.

**Tire pressure**

**16 inch tire** : 240 kPa (2.4 kg/cm<sup>2</sup> , 35 psi)

**17 inch tire** : 240 kPa (2.4 kg/cm<sup>2</sup> , 35 psi)



# TROUBLE DIAGNOSES

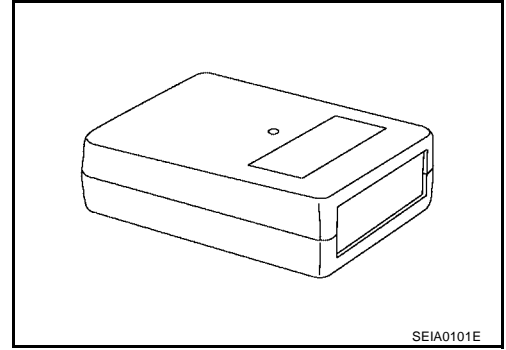
EES000P8

## Transmitter Wake Up Operation WITH TRANSMITTER ACTIVATION TOOL

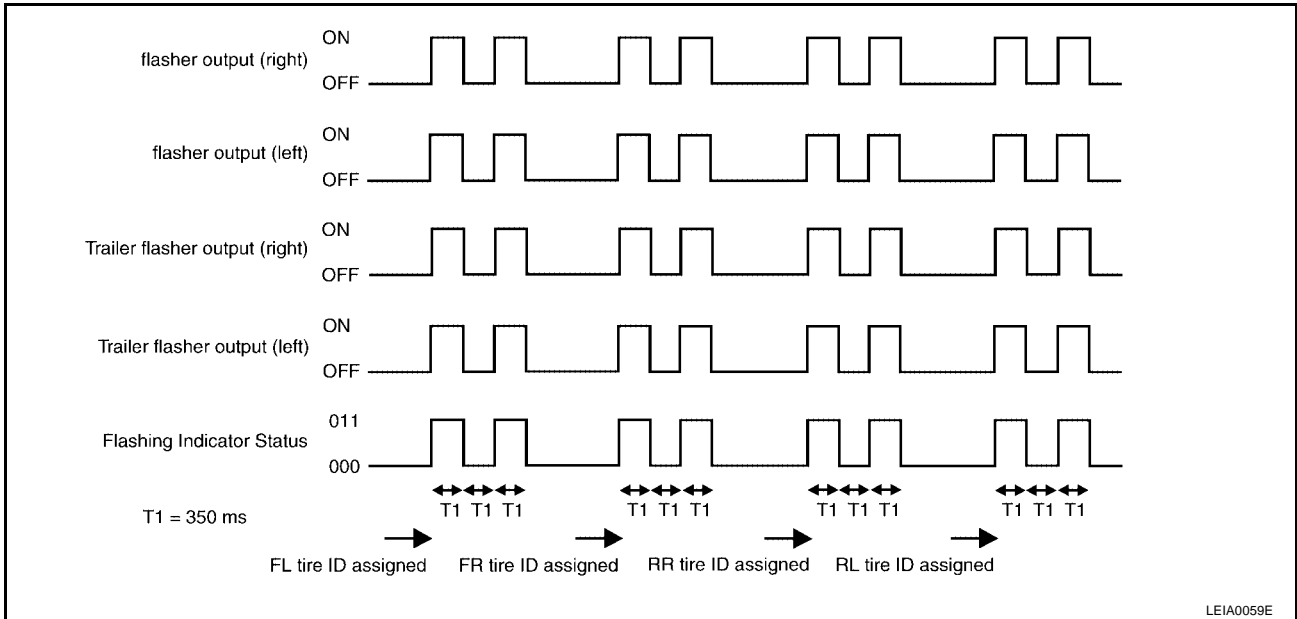
1. With the transmitter activation tool pushed against the front left transmitter, press the button for 5 seconds.

**Tool number : (J-45295)**

- With ignition switch ON, as the hazard warning lamp flashes per the follow diagram, the respective transmitter then must be woken up.



2. When the BCM finishes assigning each tire ID, the BCM flashes the hazard warning lamps and trailer flasher lamps (if equipped) and sends flashing indicator status by CAN according to the following time chart. Please see trailer flasher specification details of trailer flashing lamps since the BCM controls trailer flasher lamps as brake lamps. Refer to [LT-127, "TRAILER TOW"](#).



3. After completing wake up of all transmitters, make sure low tire pressure warning lamp goes out.

# TROUBLE DIAGNOSES

## CONSULT-II Function (BCM)

EES001KQ

CONSULT-II can display each diagnostic item using the diagnostic test modes shown following.

BCM diagnostic test item	Diagnostic mode	Description
Inspection by part	WORK SUPPORT	Supports inspections and adjustments. Commands are transmitted to the BCM for setting the status suitable for required operation, input/output signals are received from the BCM and received data is displayed.
	DATA MONITOR	Displays BCM input/output data in real time.
	ACTIVE TEST	Operation of electrical loads can be checked by sending drive signal to them.
	SELF-DIAG RESULTS	Displays BCM self-diagnosis results.
	CAN DIAG SUPPORT MNTR	The result of transmit/receive diagnosis of CAN communication can be read.
	ECU PART NUMBER	BCM part number can be read.
	CONFIGURATION	Performs BCM configuration read/write functions.

# TROUBLE DIAGNOSES

EES000P9

## Self-Diagnosis

### DESCRIPTION

During driving, the low tire pressure warning system receives the signal transmitted from the transmitter installed in each wheel, and gives alarms when the tire pressure becomes low. The control unit (BCM) for this system has pressure judgement and trouble diagnosis functions.

### FUNCTION

When the low tire pressure warning system detects low inflation pressure or another unusual symptom, the warning lamp and buzzer in the combination meter comes on. To start the self-diagnostic results mode, ground the terminal of the tire pressure warning check connector. The malfunction location is indicated by the warning lamp flashing and the buzzer sounds.

### CONSULT-II Application to Low Tire Pressure Warning System

ITEM	SELF-DIAGNOSTIC RESULTS	DATA MONITOR
Front - Left transmitter	×	×
Front - Right transmitter	×	×
Rear - Left transmitter	×	×
Rear - Right transmitter	×	×
Warning lamp	—	×
Vehicle speed	×	×
Buzzer (in combination meter)	—	×
CAN Communication	×	—

× : Applicable

— : Not applicable

### Self-Diagnostic Results Mode

Diagnostic item	Diagnostic item is detected when ...
FLAT - TIRE - FL FLAT - TIRE - FR FLAT - TIRE - RR FLAT - TIRE - RL	Front-left tire pressure drops to 200 kPa (2.0 kg/cm <sup>2</sup> , 29 psi) or less Front-right tire pressure drops to 200 kPa (2.0 kg/cm <sup>2</sup> , 29 psi) or less Rear-right tire pressure drops to 200 kPa (2.0 kg/cm <sup>2</sup> , 29 psi) or less Rear-left tire pressure drops to 200 kPa (2.0 kg/cm <sup>2</sup> , 29 psi) or less
[NO-DATA] - FL [NO-DATA] - FR [NO-DATA] - RR [NO-DATA] - RL	Data from front-left transmitter cannot be received. Data from front-right transmitter cannot be received. Data from rear-right transmitter cannot be received. Data from rear-left transmitter cannot be received.
[CHECKSUM- ERR] - FL [CHECKSUM- ERR] - FR [CHECKSUM- ERR] - RR [CHECKSUM- ERR] - RL	Checksum data from front-left transmitter is malfunctioning. Checksum data from front-right transmitter is malfunctioning. Checksum data from rear-right transmitter is malfunctioning. Checksum data from rear-left transmitter is malfunctioning.
[PRESSDATA- ERR] - FL [PRESSDATA- ERR] - FR [PRESSDATA- ERR] - RR [PRESSDATA- ERR] - RL	Air pressure data from front-left transmitter is malfunctioning. Air pressure data from front-right transmitter is malfunctioning. Air pressure data from rear-right transmitter is malfunctioning. Air pressure data from rear-left transmitter is malfunctioning.
[CODE- ERR] - FL [CODE- ERR] - FR [CODE- ERR] - RR [CODE- ERR] - RL	Function code data from front-left transmitter is malfunctioning. Function code data from front-right transmitter is malfunctioning. Function code data from rear-right transmitter is malfunctioning. Function code data from rear-left transmitter is malfunctioning.
[BATT - VOLT - LOW] - FL [BATT - VOLT - LOW] - FR [BATT - VOLT - LOW] - RR [BATT - VOLT - LOW] - RL	Battery voltage of front-left transmitter drops. Battery voltage of front-right transmitter drops. Battery voltage of rear-right transmitter drops. Battery voltage of rear-left transmitter drops.
VHCL_SPEED_SIG_ERR	Vehicle speed signal is in error.

#### NOTE:

Before performing the self-diagnosis, be sure to register the ID or else the actual malfunction location may be different from that displayed on CONSULT-II.

## TROUBLE DIAGNOSES

### Data Monitor Mode

MONITOR	CONDITION	SPECIFICATION
VHCL SPEED	Drive vehicle.	Vehicle speed (km/h or MPH)
AIR PRESS FL AIR PRESS FR AIR PRESS RR AIR PRESS RL	<ul style="list-style-type: none"> <li>● Drive vehicle for a few minutes.</li> <li style="text-align: center;">or</li> <li>● Ignition switch ON and activation tool is transmitting activation signals.</li> </ul>	Tire pressure (kPa or psi)
ID REGST FL1 ID REGST FR1 ID REGST RR1 ID REGST RL1	Ignition switch ON	Registration ID: DONE No registration ID: YET
WARNING LAMP		Low tire pressure warning lamp on: ON Low tire pressure warning lamp off: OFF
BUZZER		Buzzer in combination meter on: ON Buzzer in combination meter off : OFF

**NOTE:**

Before performing the self-diagnosis, be sure to register the ID, or else the actual malfunction location may be different from that displayed on CONSULT-II.

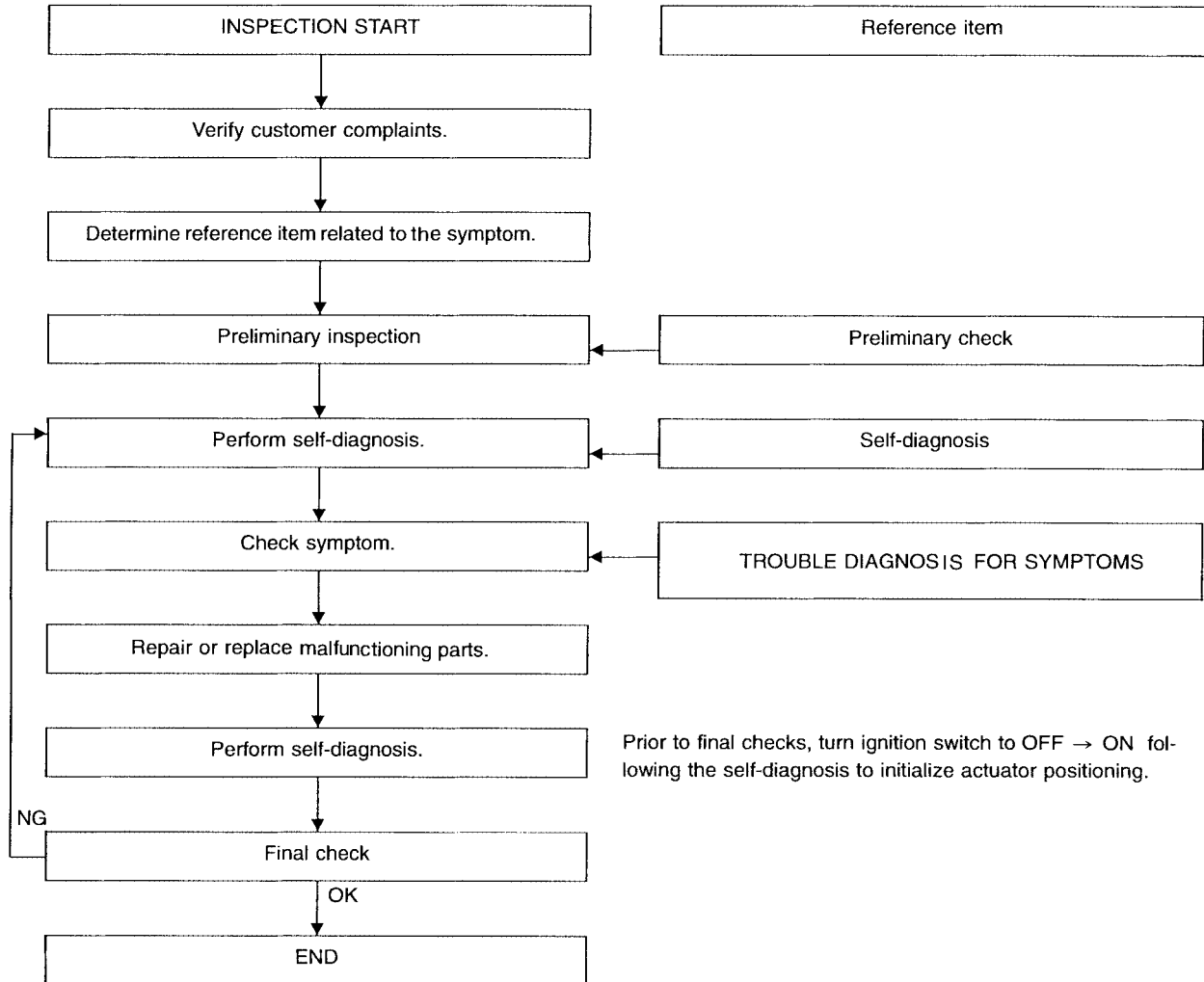
# TROUBLE DIAGNOSES

EES000PA

## How to Perform Trouble Diagnosis for Quick and Accurate Repair INTRODUCTION

- Before troubleshooting, verify customer complaints.
- If a vehicle malfunction is difficult to reproduce, harnesses, harness connectors or terminals may be malfunctioning. Hold and shake these parts to make sure they are securely connected.
- When using a circuit tester to measure voltage or resistance of each circuit, be careful not to damage or deform connector terminals.

## WORK FLOW



Preliminary check : [WT-22.](#)  
"Preliminary Check"

Self-diagnosis : [WT-19.](#)  
"Self-Diagnosis"

Trouble diagnosis for symptoms : [WT-28.](#)  
"TROUBLE DIAGNOSIS FOR SYMPTOMS"

SEIA0100E

# TROUBLE DIAGNOSES

EES000PB

---

## Preliminary Check

### BASIC INSPECTION

#### 1. CHECK ALL TIRE PRESSURES

---

Check all tire pressures.

**Tire pressure**

**16 inch tire : 240 kPa (2.4 kg/cm<sup>2</sup> , 35 psi)**

**17 inch tire : 240 kPa (2.4 kg/cm<sup>2</sup> , 35 psi)**

OK or NG

OK >> GO TO 2.

NG >> Adjust tire pressure to specified value.

#### 2. CHECK LOW TIRE PRESSURE WARNING LAMP ACTIVATION

---

1. Check low tire pressure warning lamp activation.

2. Does low tire pressure warning lamp activate for 1 second when ignition switch is turned ON?

Does warning lamp activate?

YES >> GO TO 3.

NO >> Check fuse and combination meter.

#### 3. CHECK CONNECTOR

---

1. Disconnect BCM harness connector.

2. Check terminals for damage or loose connection.

3. Reconnect harness connector.

OK or NG

OK >> GO TO 4.

NG >> Repair or replace damaged parts.

#### 4. CHECK TRANSMITTER ACTIVATION TOOL

---

Check transmitter activation tool battery.

OK or NG

OK >> Carry out self-diagnosis.

NG >> Replace transmitter activation tool battery.

# TROUBLE DIAGNOSES

## Malfunction Code/Symptom Chart

EES000PC

A  
B  
C  
D  
WT  
F  
G  
H  
I  
J  
K  
L  
M

Code/Symptom	Malfunction part	Reference page
15 16 17 18	Front-left tire pressure drops to 200 kPa (2.0 kg/cm <sup>2</sup> , 29 psi) or less Front-right tire pressure drops to 200 kPa (2.0 kg/cm <sup>2</sup> , 29 psi) or less Rear-right tire pressure drops to 200 kPa (2.0 kg/cm <sup>2</sup> , 29 psi) or less Rear-left tire pressure drops to 200 kPa (2.0 kg/cm <sup>2</sup> , 29 psi) or less	—
21 22 23 24	Transmitter no data (front - left) Transmitter no data (front - right) Transmitter no data (rear - right) Transmitter no data (rear - left)	<a href="#">WT-25.</a> <a href="#">"Inspection 1: Transmitter or BCM"</a>
31 32 33 34	Transmitter checksum error (front - left) Transmitter checksum error (front - right) Transmitter checksum error (rear - right) Transmitter checksum error (rear - left)	<a href="#">WT-25.</a> <a href="#">"Inspection 2: Transmitter - 1"</a>
35 36 37 38	Transmitter pressure data error (front - left) Transmitter pressure data error (front - right) Transmitter pressure data error (rear - right) Transmitter pressure data error (rear - left)	<a href="#">WT-26.</a> <a href="#">"Inspection 3: Transmitter - 2"</a>
41 42 43 44	Transmitter function code error (front - left) Transmitter function code error (front - right) Transmitter function code error (rear - right) Transmitter function code error (rear - left)	<a href="#">WT-25.</a> <a href="#">"Inspection 2: Transmitter - 1"</a>
45 46 47 48	Transmitter battery voltage low (front - left) Transmitter battery voltage low (front - right) Transmitter battery voltage low (rear - right) Transmitter battery voltage low (rear - left)	<a href="#">WT-25.</a> <a href="#">"Inspection 2: Transmitter - 1"</a>
52	Vehicle speed signal	<a href="#">WT-27.</a> <a href="#">"Inspection 4: Vehicle Speed Signal"</a>
Low tire pressure warning lamp does not come on when ignition switch is turned on.	Fuse or combination meter BCM connector or circuit BCM	<a href="#">WT-28.</a> <a href="#">"Inspection 1: Warning Lamp Does Not Come On When Ignition Switch Is Turned On."</a>
Low tire pressure warning lamp stays on when ignition switch is turned on.	Fuse or combination meter BCM connector or circuit BCM	<a href="#">WT-29.</a> <a href="#">"Inspection 2: Warning Lamp Stays On When Ignition Switch Is Turned On."</a>
Low tire pressure warning lamp flashes when ignition switch is turned on.	BCM harness connector or circuit BCM Transmitter's mode off ID registration not yet	<a href="#">WT-30.</a> <a href="#">"Inspection 3: Warning Lamp Flashes When Ignition Switch Is Turned On."WT-30</a>

## TROUBLE DIAGNOSES

Code/Symptom	Malfunction part	Reference page
Hazard warning lamp flashes when ignition switch is turned on.	BCM harness connector or circuit BCM	<a href="#">WT-30.</a> <a href="#">"Inspection 3: Warning Lamp Flashes When Ignition Switch Is Turned On."</a>
"TIRE PRESSURE" information in display does not exist.	Fuse Display unit BCM	<a href="#">WT-32.</a> <a href="#">"Inspection 5: "TIRE PRESSURE" Information In Display Unit Does Not Exist."</a>
ID registration cannot be completed.	Transmitter Remote keyless entry receiver harness connector or circuit Remote keyless entry receiver	<a href="#">WT-32.</a> <a href="#">"Inspection 6: ID Registration Cannot Be Completed"</a>



# TROUBLE DIAGNOSIS FOR SELF-DIAGNOSTIC ITEMS

## TROUBLE DIAGNOSIS FOR SELF-DIAGNOSTIC ITEMS

PF0:0000

### Inspection 1: Transmitter or BCM MALFUNCTION CODE NO. 21, 22, 23 OR 24

EES000PD

#### 1. CHECK CONTROL UNIT

Drive for several minutes. Check all tire pressures with CONSULT-II "DATA MONITOR ITEM".

Are all tire pressures displayed as 0 kPa?

- YES >> GO TO 2.
- NO >> GO TO 3.

#### 2. CHECK REMOTE KEYLESS ENTRY RECEIVER CONNECTOR

Check remote keyless entry receiver connector for damage or loose connections.

OK or NG

- OK >> Replace BCM, then GO TO 3. Refer to [BCS-19, "Removal and Installation of BCM"](#) .
- NG >> Repair or replace remote keyless entry receiver connector.

#### 3. ID REGISTRATION

Carry out ID registration of all transmitters.

Is there a tire that cannot register ID?

- YES >> Replace transmitter of the tire, then GO TO 5.
- NO >> GO TO 4.

#### 4. VEHICLE DRIVING

1. Drive at a speed of 40 km/h (25 MPH) or more for several minutes without stopping.
2. Check all tire pressures with CONSULT-II "DATA MONITOR ITEM" within 15 minutes after vehicle speed becomes 17 km/h (11 MPH).

Does "DATA MONITOR ITEM" display tire pressure as normal without any warning lamp?

- YES >> Inspection End.
- NO >> GO TO 5.

#### 5. ID REGISTRATION AND VEHICLE DRIVING

1. Carry out ID registration of all transmitters.
2. Drive at a speed of 40 km/h (25 MPH) or more for 3 minutes, and then drive the vehicle at any speed for 10 minutes. Then check all tire pressures with CONSULT-II "DATA MONITOR ITEM" within 5 minutes.

Does "DATA MONITOR ITEM" display tire pressure as normal without any warning lamp?

- YES >> Inspection End.
- NO >> GO TO the inspection applicable to DTC.

### Inspection 2: Transmitter - 1 MALFUNCTION CODE NO. 31, 32, 33, 34, 41, 42, 43, 44, 45, 46, 47 OR 48

EES000PE

#### 1. ID REGISTRATION (CORRECTION OF TRANSMITTER LOCATION)

1. Carry out ID registration of all transmitters.
2. Drive at a speed of 40 km/h (25 MPH) or more for 3 minutes, and then drive the vehicle at any speed for 10 minutes.

>> GO TO 2.

# TROUBLE DIAGNOSIS FOR SELF-DIAGNOSTIC ITEMS

---

## 2. REPLACE TRANSMITTER

---

1. Check low tire pressure warning lamp again for flashing, replace malfunctioning transmitter.
2. Carry out ID registration of all transmitters.

Can ID registration of all transmitters be completed?

YES >> GO TO 3.

NO >> GO TO Inspection 1. Refer to [WT-25, "Inspection 1: Transmitter or BCM"](#) .

## 3. VEHICLE DRIVING

---

Drive at a speed of 40 km/h (25 MPH) or more for 3 minutes, and then drive the vehicle at any speed for 10 minutes. Then check all tire pressures with CONSULT-II "DATA MONITOR ITEM" within 5 minutes.

Does "DATA MONITOR ITEM" display tire pressure as normal without any warning lamp?

YES >> Inspection End.

NO >> Replace malfunctioning transmitter, and perform "Step 3" again.

### Inspection 3: Transmitter - 2 MALFUNCTION CODE NO. 35, 36, 37 OR 38

EES000PF

## 1. CHECK ALL TIRE PRESSURES

---

Check all tire pressures.

### Tire pressure

**16 inch tire** : 240 kPa (2.4 kg/m<sup>2</sup> , 35 psi)

**17 inch tire** : 240 kPa (2.4 kg/m<sup>2</sup> , 35 psi)

Are there any tires with pressure of 64 psi or more?

NO >> GO TO 2.

YES >> Adjust tire pressure to specified value.

## 2. VEHICLE DRIVING

---

1. Carry out ID registration of all transmitters.
2. Drive at a speed of 40 km/h (25 MPH) or more for several minutes without stopping.  
Check all tire pressures with CONSULT-II "DATA MONITOR ITEM" within 15 minutes after vehicle speed becomes 17 km/h (11 MPH).

>> Replace transmitter with new one if "DATA MONITOR ITEM" displays 64 psi or more. Then GO TO 3.

## 3. ID REGISTRATION AND VEHICLE DRIVING

---

- Carry out ID registration of all transmitters.
- Drive at a speed of 40 km/h (25 MPH) or more for 3 minutes, and then drive the vehicle at any speed for 10 minutes. Then check all tire pressures with CONSULT-II "DATA MONITOR ITEM" within 5 minutes.

Does "DATA MONITOR ITEM" display tire pressure as normal without any warning lamp?

YES >> Inspection End.

NO >> GO TO the inspection applicable to DTC.

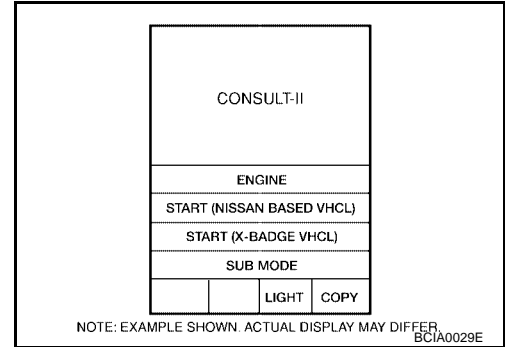
# TROUBLE DIAGNOSIS FOR SELF-DIAGNOSTIC ITEMS

EES000PG

## Inspection 4: Vehicle Speed Signal MALFUNCTION CODE NO. 52

### 1. SELF-DIAGNOSTIC RESULT CHECK

1. With the ignition switch OFF, connect CONSULT-II and CONSULT-II CONVERTER to the data link connector, then turn the ignition switch ON.
2. Select "START (NISSAN BASED VHCL)".



3. Select "BCM" on "SELECT SYSTEM" screen.

**NOTE:**

If the BCM is not indicated, refer to [LAN-5, "CAN COMMUNICATION"](#).

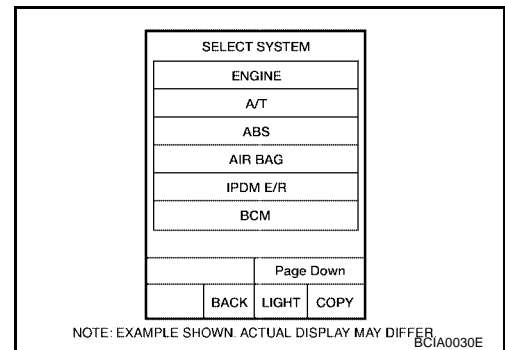
4. Select "BCM" on "SELECT WORK ITEM" screen, and select "SELF-DIAG RESULTS".

5. Check display contents in self-diagnostic results.

Is "CAN COMM CIRCUIT" displayed in the self-diagnosis display items?

YES >> Malfunction in CAN communication system. GO TO [LAN-5, "CAN COMMUNICATION"](#).

NO >> GO TO 2.



### 2. CHECK BCM

Perform BCM diagnosis. Refer to [BCS-11, "CONSULT-II INSPECTION PROCEDURE"](#).

Inspection results OK?

OK >> Perform Vehicle Speed Sensor Inspection. Refer to [AT-121, "Diagnostic Procedure"](#) for 4-speed A/T or [AT-479, "Diagnostic Procedure"](#) for 5-speed A/T.

NG >> Replace BCM. Refer to [BCS-19, "Removal and Installation of BCM"](#).

# TROUBLE DIAGNOSIS FOR SYMPTOMS

PFP:00007

## TROUBLE DIAGNOSIS FOR SYMPTOMS

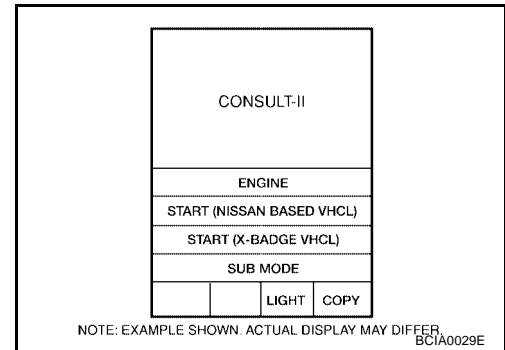
### Inspection 1: Warning Lamp Does Not Come On When Ignition Switch Is Turned On.

EES000PH

#### DIAGNOSTIC PROCEDURE

#### 1. SELF-DIAGNOSTIC RESULT CHECK

1. With the ignition switch OFF, connect CONSULT-II and CONSULT-II CONVERTER to the data link connector, then turn the ignition switch ON.
2. Select "START (NISSAN BASED VHCL)".



3. Select "BCM" on "SELECT SYSTEM" screen.

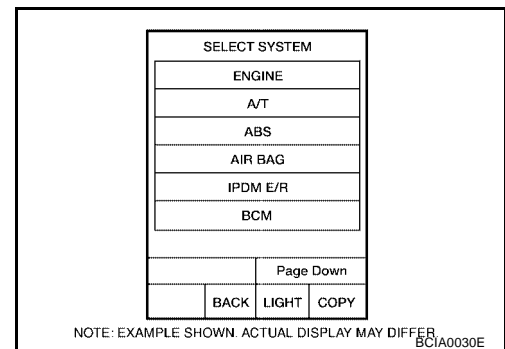
**NOTE:**

If the BCM is not indicated, refer to [LAN-5, "CAN COMMUNICATION"](#).

4. Select "BCM" on "SELECT WORK ITEM" screen, and select "SELF-DIAG RESULTS".
5. Check display contents in self-diagnostic results.

Is "CAN COMM CIRCUIT " displayed in the self-diagnosis display items?

- YES >> Malfunction in CAN communication system. GO TO [LAN-5, "CAN COMMUNICATION"](#).
- NO >> GO TO 2.



#### 2. CHECK COMBINATION METER

Check combination meter operation.

Inspection results OK?

- OK >> GO TO 3.
- NG >> Check combination meter. Refer to [DI-8, "Combination Meter"](#).

#### 3. CHECK LOW TIRE PRESSURE WARNING LAMP

Disconnect BCM harness connector.

Does the low tire pressure warning lamp activate?

- YES >> Replace BCM. Refer to [BCS-19, "Removal and Installation of BCM"](#).
- NO >> Check combination meter and repair or replace.

# TROUBLE DIAGNOSIS FOR SYMPTOMS

## Inspection 2: Warning Lamp Stays On When Ignition Switch Is Turned On. EES000PI

### DIAGNOSTIC PROCEDURE

#### 1. CHECK CONNECTOR

1. Disconnect BCM harness connectors M18, M19 and M20.
2. Check terminals for damage or loose connections.

Inspection results OK?

- OK >> GO TO 2.
- NG >> Repair or replace damaged parts.

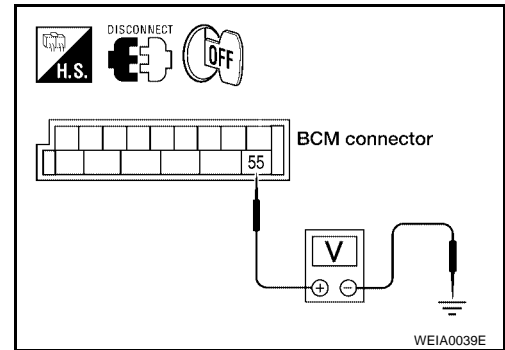
#### 2. CHECK POWER SUPPLY CIRCUIT (BAT)

Check voltage between BCM harness connector M19 terminal 55 (W/B) and ground.

Terminals			Voltage (Approx.)
(+)		(-)	
Connector	Terminal (Wire color)	Ground	12V
M19	55 (W/B)		

OK or NG

- OK >> GO TO 3.
- NG >> Check BCM power supply circuit for open or short.



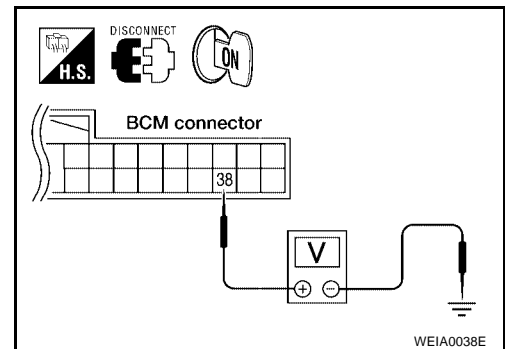
#### 3. CHECK POWER SUPPLY CIRCUIT (IGN)

1. Turn ignition switch ON.
2. Check voltage between BCM harness connector M18 terminal 38 (G) and ground.

Terminals			Voltage (Approx.)
(+)		(-)	
Connector	Terminal (Wire color)	Ground	12V
M18	38 (G)		

OK or NG

- OK >> GO TO 4.
- NG >> Check BCM power supply circuit for open or short.



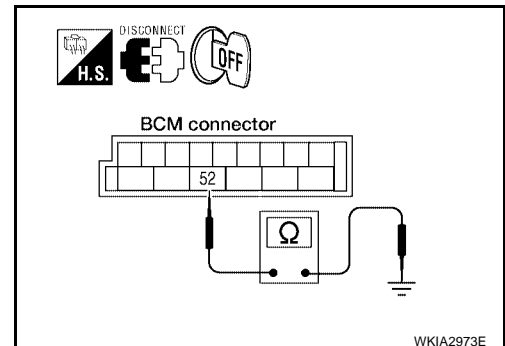
#### 4. CHECK GROUND CIRCUIT

Check continuity between BCM harness connector M19 terminal 52 (B/W) and ground.

Terminals			Continuity
(+)		(-)	
Connector	Terminal (Wire color)	Ground	Yes
M19	52 (B/W)		

OK or NG

- OK >> Replace BCM. Refer to [BCS-19, "Removal and Installation of BCM"](#).
- NG >> Repair or replace BCM ground circuit.



# TROUBLE DIAGNOSIS FOR SYMPTOMS

## Inspection 3: Warning Lamp Flashes When Ignition Switch Is Turned On.

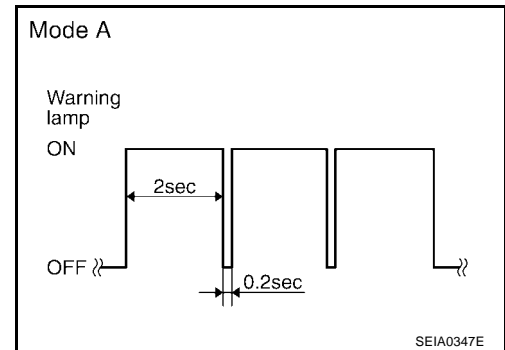
EES000PJ

### NOTE:

If warning lamp flashes as shown, the system is normal.

Flash Mode A

- This mode shows transmitter status is OFF-mode. Carry out transmitter wake up operation. Refer to [WT-17, "Transmitter Wake Up Operation"](#).



### DIAGNOSTIC PROCEDURE

#### 1. CHECK CONNECTOR

1. Disconnect BCM harness connectors M18, M19 and M20.
2. Check terminals for damage or loose connections.

Inspection results OK?

- OK >> GO TO 2.  
NG >> Repair or replace damaged parts.

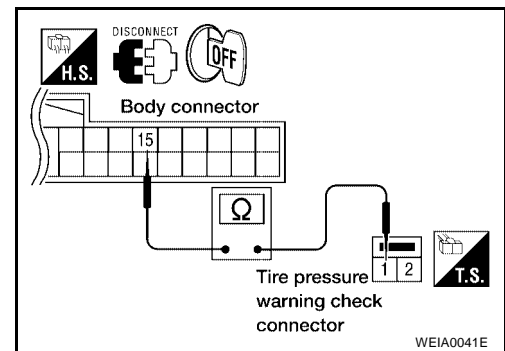
#### 2. CHECK TIRE PRESSURE WARNING CHECK CONNECTOR CIRCUIT

Check continuity between BCM harness connector M18 terminal 15 (L/W) and check connector M123 terminal 1 (L/W).

**Continuity should exist.**

OK or NG

- OK >> Replace BCM. Refer to [BCS-19, "Removal and Installation of BCM"](#).
- NG >> Repair or replace harness connector.



# TROUBLE DIAGNOSIS FOR SYMPTOMS

## Inspection 4: Hazard Warning Lamp Flashes When Ignition Switch Is Turned On.

EES000PK

### DIAGNOSTIC PROCEDURE

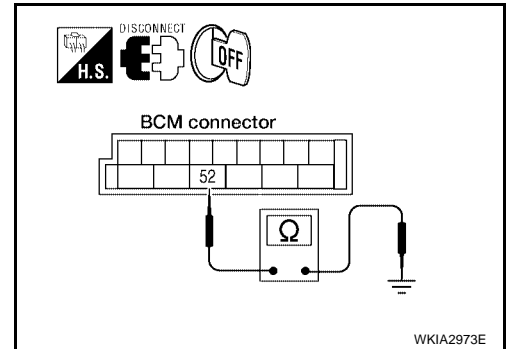
#### 1. CHECK GROUND CIRCUIT

1. Disconnect BCM harness connector M19.
2. Check continuity between BCM harness connector M19 terminal 52 (B/W) and ground.

Terminals		Continuity	
(+)	(-)		
Connector	Terminal (Wire color)	Ground	Yes
M19	52 (B/W)		

OK or NG

- OK >> Replace BCM. Refer to [BCS-19, "Removal and Installation of BCM"](#).
- NG >> Repair or replace BCM ground circuit.



A  
B  
C  
D  
WT  
F  
G  
H  
I  
J  
K  
L  
M

# TROUBLE DIAGNOSIS FOR SYMPTOMS

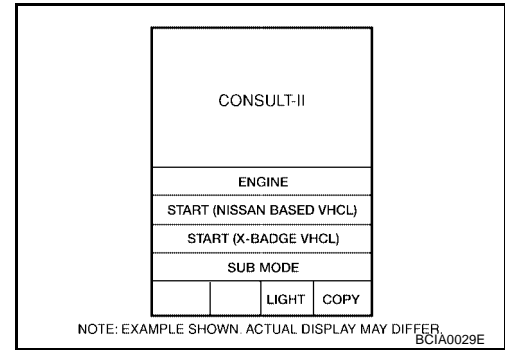
## Inspection 5: "TIRE PRESSURE" Information In Display Unit Does Not Exist.

EES000PL

### DIAGNOSTIC PROCEDURE

#### 1. SELF-DIAGNOSTIC RESULT CHECK

1. With the ignition switch OFF, connect CONSULT-II and CONSULT-II CONVERTER to the data link connector, then turn the ignition switch ON.
2. Select "START (NISSAN BASED VHCL)".



3. Select "BCM" on "SELECT SYSTEM" screen.

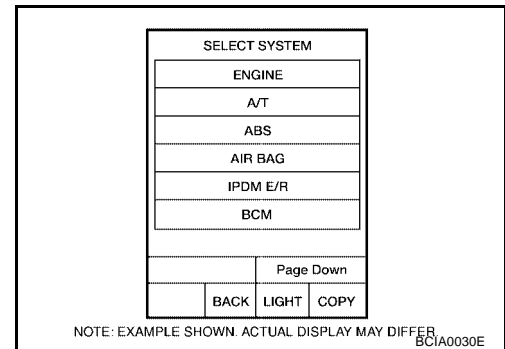
**NOTE:**

If the BCM is not indicated, refer to [LAN-5, "CAN COMMUNICATION"](#).

4. Select "BCM" on "SELECT WORK ITEM" screen, and select "SELF-DIAG RESULTS".
5. Check display contents in self-diagnostic results.

Is "CAN COMM CIRCUIT" displayed in the self-diagnosis display items?

- YES >> Malfunction in CAN communication system. GO TO [LAN-5, "CAN COMMUNICATION"](#).
- NO >> GO TO 2.



#### 2. CHECK DISPLAY UNIT

Perform display unit self-diagnosis. Refer to [AV-100, "Self-Diagnosis Mode"](#) without NAVI or [AV-158, "Self-Diagnosis Mode \(NAVI\)"](#) with NAVI.

Inspection results OK?

- OK >> Replace BCM. Refer to [BCS-19, "Removal and Installation of BCM"](#).
- NG >> Repair or replace malfunctioning parts.

## Inspection 6: ID Registration Cannot Be Completed

EES000PM

### DIAGNOSTIC PROCEDURE

#### 1. ID REGISTRATION (ALL)

- Carry out ID registration of all transmitters.
- Can ID registration of all transmitters be completed?

YES or NO

- YES >> Inspection End.
- NO >> GO TO [WT-25, "Inspection 1: Transmitter or BCM"](#).



# REMOVAL AND INSTALLATION

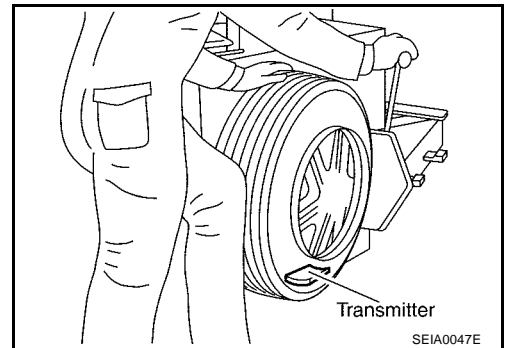
PFP:00000

EES000PN

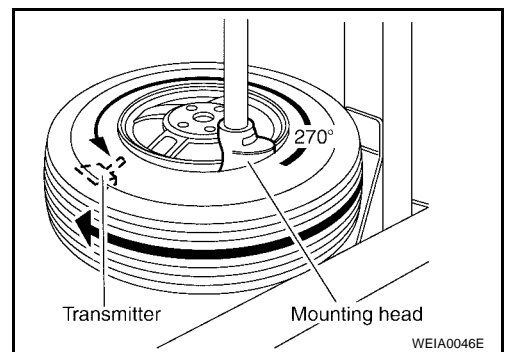
## REMOVAL AND INSTALLATION

### Transmitter REMOVAL

1. Deflate tire. Unscrew transmitter retaining nut and allow transmitter to fall into tire.
2. Gently bounce tire so that transmitter falls to bottom of tire. Place on tire changing machine and break both tire beads ensuring that the transmitter remains at the bottom of the tire.

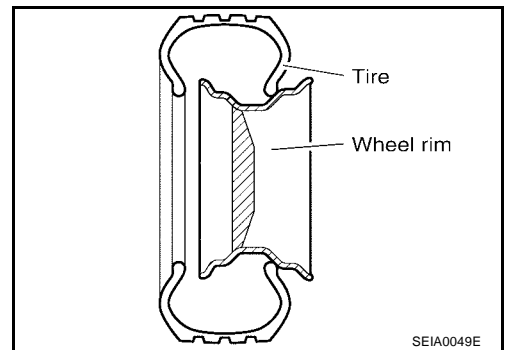


3. Turn tire so that valve hole is at bottom and bounce so that transmitter is near valve hole. Carefully lift tire onto turntable and position valve hole (and transmitter) 270 degrees from mounting/dismounting head.
4. Lubricate tire well and remove first side of the tire. Reach inside the tire and remove the transmitter.

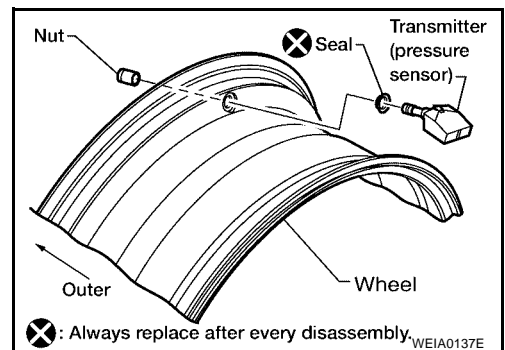


### INSTALLATION

1. Put first side of tire onto rim.



2. Mount transmitter on rim and tighten nut to the specification shown.



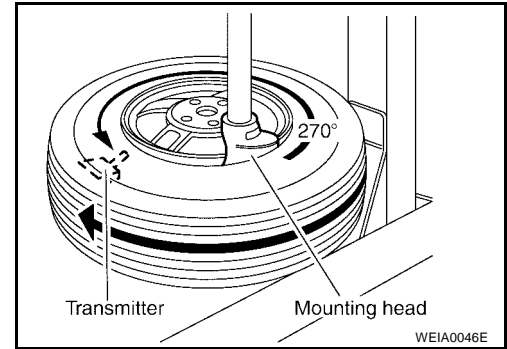
A  
B  
C  
D  
WT  
F  
G  
H  
I  
J  
K  
L  
M

## REMOVAL AND INSTALLATION

- Place wheel on turntable of tire machine. Ensure that transmitter is 270 degrees from mounting head when second side of tire is fitted.

**NOTE:**

Do not touch transmitter at mounting head.



- Lubricate tire well and fit second side of tire as normal. Ensure that tire does not rotate relative to rim.
- Inflate tire and balance the wheel and tire assembly. Refer to [WT-5, "ROAD WHEEL TIRE ASSEMBLY"](#).
- Install wheel and tire assembly in appropriate wheel position on vehicle.

**NOTE:**

If replacing transmitter, transmitter wake up operation must be performed. Refer to [WT-17, "Transmitter Wake Up Operation"](#).

# SERVICE DATA

## SERVICE DATA

PFP:00030

### Road Wheel

*EES000PR*

Wheel type		Aluminum	Steel	
			Inside	Outside
Maximum radial runout limit	Lateral mm (in)	0.3 (0.012) or less	1.0 (0.039) or less	0.9 (0.035) or less
	Radial mm (in)	0.3 (0.012) or less	0.8 (0.031) or less	0.4 (0.016) or less
Maximum allowable unbalance	Dynamic (At rim flange)	Less than 5 g (0.18 oz.) (per side)		
	Static (At rim flange)	Less than 10 g (0.35 oz.)		

### Tire

*EES000PS*

Unit: kPa (kg/cm<sup>2</sup>, psi)

Tire size	Air pressure	
	Conventional tire	Spare tire
T135/80*16	—	420 (4.2, 60)
P225/65R16	240 (2.4, 35)	—
P225/60R17	240 (2.4, 35)	—
Speed Rating	H	—

\*: D or R depending on manufacturer.

## SERVICE DATA

---