

SECTION BF**CONTENTS**

GENERAL SERVICING (Including all clip & fastener for Z31)	BF- 2
BODY END AND DOOR (Including "Opener" and "Power window". And also including wiring diagram)	BF- 7
INSTRUMENT (Including "Center console")	BF-16
SEAT (Including "Power seat" and wiring diagram)	BF-17
SEAT BELT	BF-28
INTERIOR AND EXTERIOR	BF-29
WINDSHIELD AND WINDOWS	BF-36
T-BAR ROOF	BF-41
MIRROR (Including wiring diagram)	BF-42
REAR AIR SPOILER	BF-43
REAR COMBINATION LAMP	BF-44
BODY ALIGNMENT – Engine compartment & Underbody (Including the actual dimensions between the points and the coordinates of the points) ..	BF-45

- For theft warning system, refer to EL section.
- ★ For seat belts, refer to MA section.
- Method of reading electrical diagram in BF section is basically the same as in the EL section.
So refer to "HOW TO READ DIAGRAM" in EL section.
- For power supply routing, refer to "POWER SUPPLY" in EL section.
- Black box internal circuits in BF section are a summary of actual circuit.
Use only for studying the operation.
- "Remarks" and "Connections" in electrical diagram show the terminal meaning and actual electrical flow.
- For connector Nos. in wiring diagrams in this section, refer to Harness Layout in EL section.

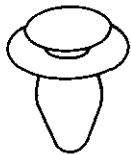

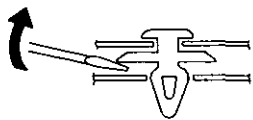

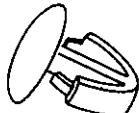


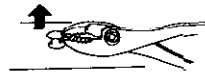
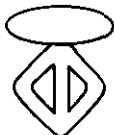
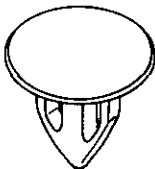




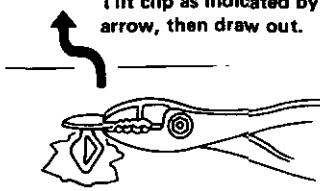
GENERAL SERVICING

Precautions

- When removing or installing various parts, place a cloth or padding onto the vehicle body to prevent scratches.
- Handle trim, molding, instruments, grille, etc. carefully during removing or installation. Be careful not to soil or damage them.
- Apply sealing compound where necessary while installing parts.
- When applying sealing compound, be careful that the sealing compound does not protrude from parts.
- When replacing any metal parts (for example body outer panel, members, etc.), be sure to take rust prevention measures.

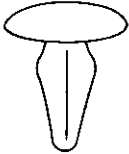

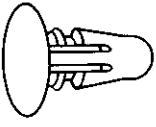
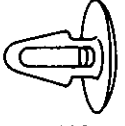


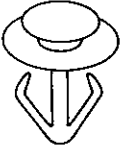
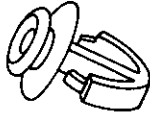
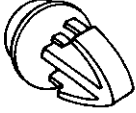
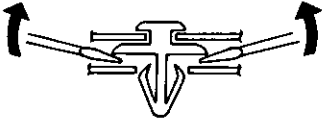
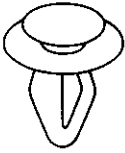


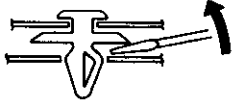

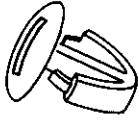
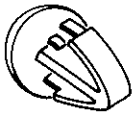
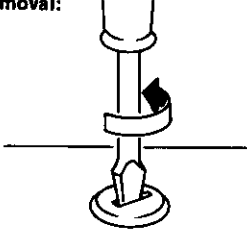
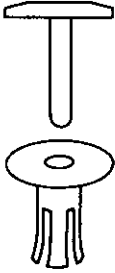
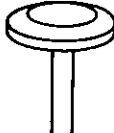
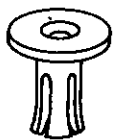
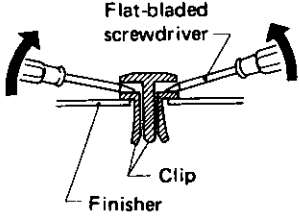
Clip and Fastener

- Clips and fasteners in BF section correspond to the following numbers and symbols.

No.	Symbol	Shape	Removal & Installation
C101	 SBF092B	 SBF109B	<p>Removal: Remove by bending up with a flat-bladed screwdriver.</p>  SBF094B
C103	 SBF110B	 SBF111B  SBF112B	<p>Removal: Remove with flat-bladed screwdrivers or pliers.</p>   SBF112B
C104	 SBF358B	 SBF359B	<p>Removal: Remove with flat-bladed screwdrivers or pliers.</p>   SBF360B
C105	 SBF141B	 SBF142B	<p>Removal: Tilt clip as indicated by arrow, then draw out.</p>  SBF143B


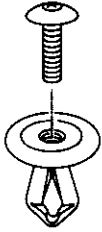

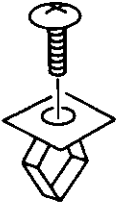
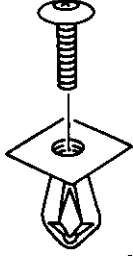
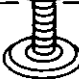

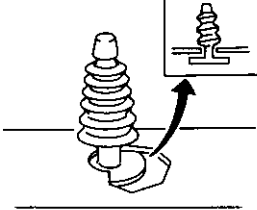
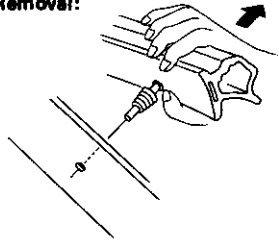
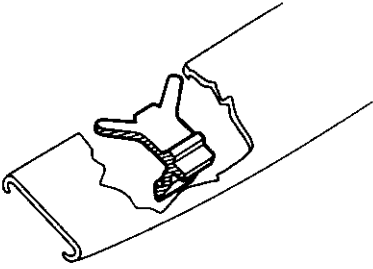
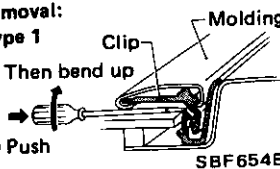

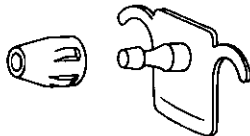
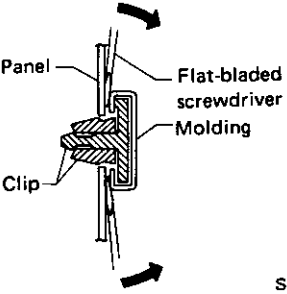
GENERAL SERVICING

Clip and Fastener (Cont'd)

No.	Symbol	Shape		Removal & Installation
C106	 <p style="text-align: center;">SBF089B</p>		  <p style="text-align: center;">SBF090B</p>	<p>Removal: Remove with flat-bladed screwdrivers or pliers.</p>   <p style="text-align: right;">SBF091B</p>
C107	 <p style="text-align: center;">SBF365B</p>	  <p style="text-align: center;">SBF366B</p>		<p>Removal: Remove by bending up with flat-bladed screwdrivers.</p>  <p style="text-align: right;">SBF367B</p>
C108	 <p style="text-align: center;">SBF564B</p>	  <p style="text-align: center;">SBF565B</p>		<p>Removal: Remove by bending up with a flat-bladed screwdriver.</p>  <p style="text-align: right;">SBF566B</p>
C111	 <p style="text-align: center;">SBF605C</p>	  <p style="text-align: center;">SBF606C</p>		<p>Removal:</p>  <p style="text-align: right;">SBF625C</p>
C205	 <p style="text-align: center;">SBF636C</p>	  <p style="text-align: center;">SBF637C</p>		<p>Removal:</p>  <p style="text-align: right;">SBF638C</p>

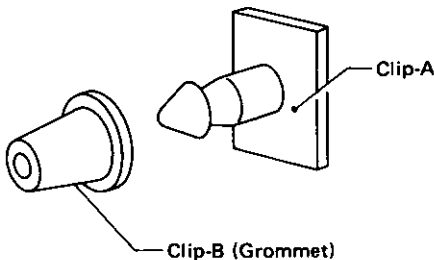
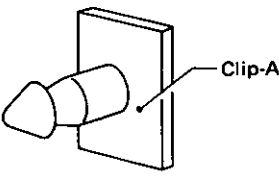
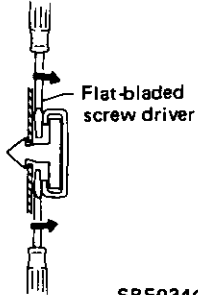

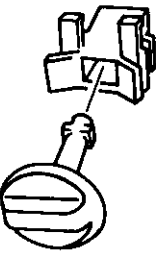
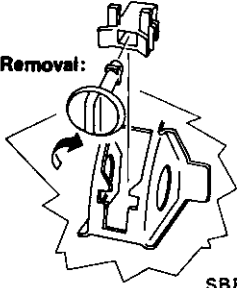

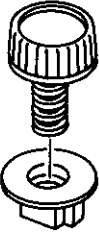
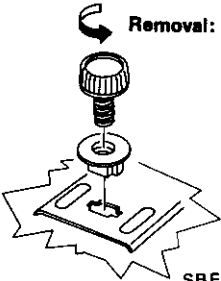
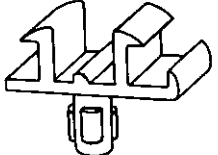
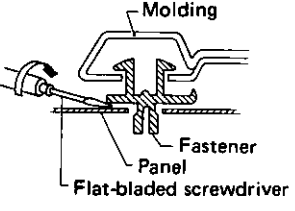
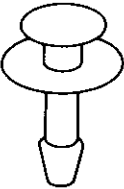
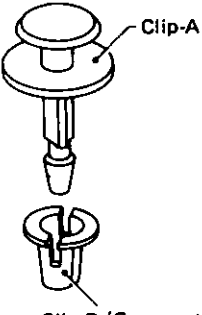
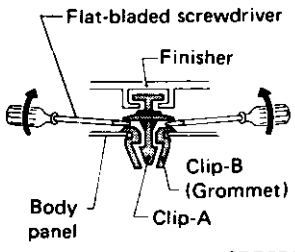
GENERAL SERVICING

Clip and Fastener (Cont'd)

No.	Symbol	Shape	Removal & Installation
CS102	 <p style="text-align: center;">SBF138B</p>	 <p style="text-align: center;">SBF139B</p>	<p>Removal: Screw out with a Phillips screwdriver.</p>  <p style="text-align: right;">SBF140B</p>
CS105	 <p style="text-align: center;">SBF374B</p>	 <p style="text-align: center;">SBF375B</p>	 <p style="text-align: right;">SBF140B</p>
CE103	 <p style="text-align: center;">SBF103B</p>	 <p style="text-align: center;">SBF104B</p>	<p>Removal:</p>  <p style="text-align: right;">SBF147B</p>
CE106	 <p style="text-align: center;">SBF653B</p>	 <p style="text-align: center;">SBF654B</p>	<p>Removal:</p> <p>Type 1</p> <p>Clip Molding</p> <p>② Then bend up</p> <p>① Push</p> <p style="text-align: right;">SBF654B</p> <hr/> <p>Type 2</p> <p>Clip Cutter Molding</p> <p>Remove molding by cutting off the clip.</p> <p style="text-align: right;">SBF914B</p>
CE107	 <p style="text-align: center;">SBF765B</p>	 <p style="text-align: center;">SBF766B</p>	 <p>Panel Flat-bladed screwdriver Molding</p> <p>Clip</p> <p style="text-align: right;">SBF767B</p>

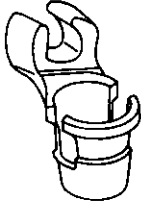
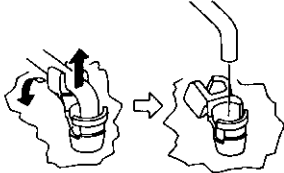
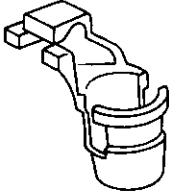
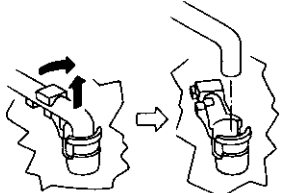
GENERAL SERVICING

Clip and Fastener (Cont'd)

No.	Symbol	Shape	Removal & Installation
CE110	 <p>Clip-B (Grommet)</p>	 <p>Clip-A</p> <p>SBF032C</p>	<p>Removal:</p>  <p>Flat-bladed screw driver</p> <p>SBF034C</p>
CF104	 <p>SBF368B</p>	 <p>SBF369B</p>	<p>Removal:</p>  <p>SBF370B</p>
CF105	 <p>SBF371B</p>	 <p>SBF372B</p>	<p>Removal:</p>  <p>SBF373B</p>
CF106		<p>SBF411B</p>	<p>Removal:</p>  <p>Molding</p> <p>Fastener</p> <p>Panel</p> <p>Flat-bladed screwdriver</p> <p>SBF412B</p>
CF113	 <p>SBF035C</p>	 <p>Clip-A</p> <p>SBF036C</p> <p>Clip-B (Grommet)</p>	<p>Removal:</p>  <p>Flat-bladed screwdriver</p> <p>Finisher</p> <p>Body panel</p> <p>Clip-B (Grommet)</p> <p>Clip-A</p> <p>SBF652B</p>

GENERAL SERVICING

Clip and Fastener (Cont'd)

No.	Symbol	Shape	Removal & Installation
CR101		 <p data-bbox="802 594 894 615">SBF106B</p>	<p data-bbox="1044 310 1332 380">Removal: Holder portion of clip must be spread out to remove rod.</p>  <p data-bbox="1310 585 1402 606">SBF146B</p>
CR103		 <p data-bbox="833 932 925 953">SBF768B</p>	<p data-bbox="1048 657 1336 726">Removal: Holder portion of clip must be spread out to remove rod.</p>  <p data-bbox="1318 932 1410 953">SBF770B</p>

BODY END AND DOOR

- When removing and installing hood or back door, place a cloth or other padding on hood or back door corners to avoid scratching vehicle body.
- When removing clip or fastener, refer to CLIP & FASTENER.
- Apply sealing compound where necessary when installing parts.

Front End

- Hood adjustment: Adjust at hinge portion.
- Hood lock adjustment: After adjusting, check hood lock control operation. Apply a coat of grease to hood locks engaging mechanism.
- Hood opener: Do not attempt to bend cable forcibly. Doing so increases effort required to unlock hood.
- Bumper fascia: It is made of plastic, so do not use excessive force and take care to keep oil away from it.
- When adjusting or removing/installing hood or removing/installing hood switch, check theft warning system operation.

WARNING:

- a. Be careful not to scratch hood stay when installing hood. A scratched stay may cause gas leakage.
- b. The contents of the hood stay and bumper shock absorber are under pressure. Do not take apart, puncture, apply heat or allow fire near it.

Bumper shock absorber inspection

1. Check shock absorber for oil leakage, cracks or deformation.
2. Function of shock absorber;
 - (1) Place vehicle in front of a wall.
Apply parking brake and place tire stoppers securely.
 - (2) Place a jack between bumper and wall; jack is positioned squarely with bumper directly in line with shock absorber to be checked.
 - (3) Apply pressure to compress shock absorber at least 10.0 mm (0.394 in).

Use a jack with capacity of more than 600 kg (1,323 lb).

- (4) Make sure bumper returns to its original position when jack is retracted. Replace if necessary.

CAUTION:

It is not recommended to confirm proper installation by driving into walls or other barriers as this could cause personal injury or damage to the vehicle.

When replacing shock absorbers, make sure they are of the same type and rating, and manufactured by the same maker.

BODY END AND DOOR

Front End (Cont'd)

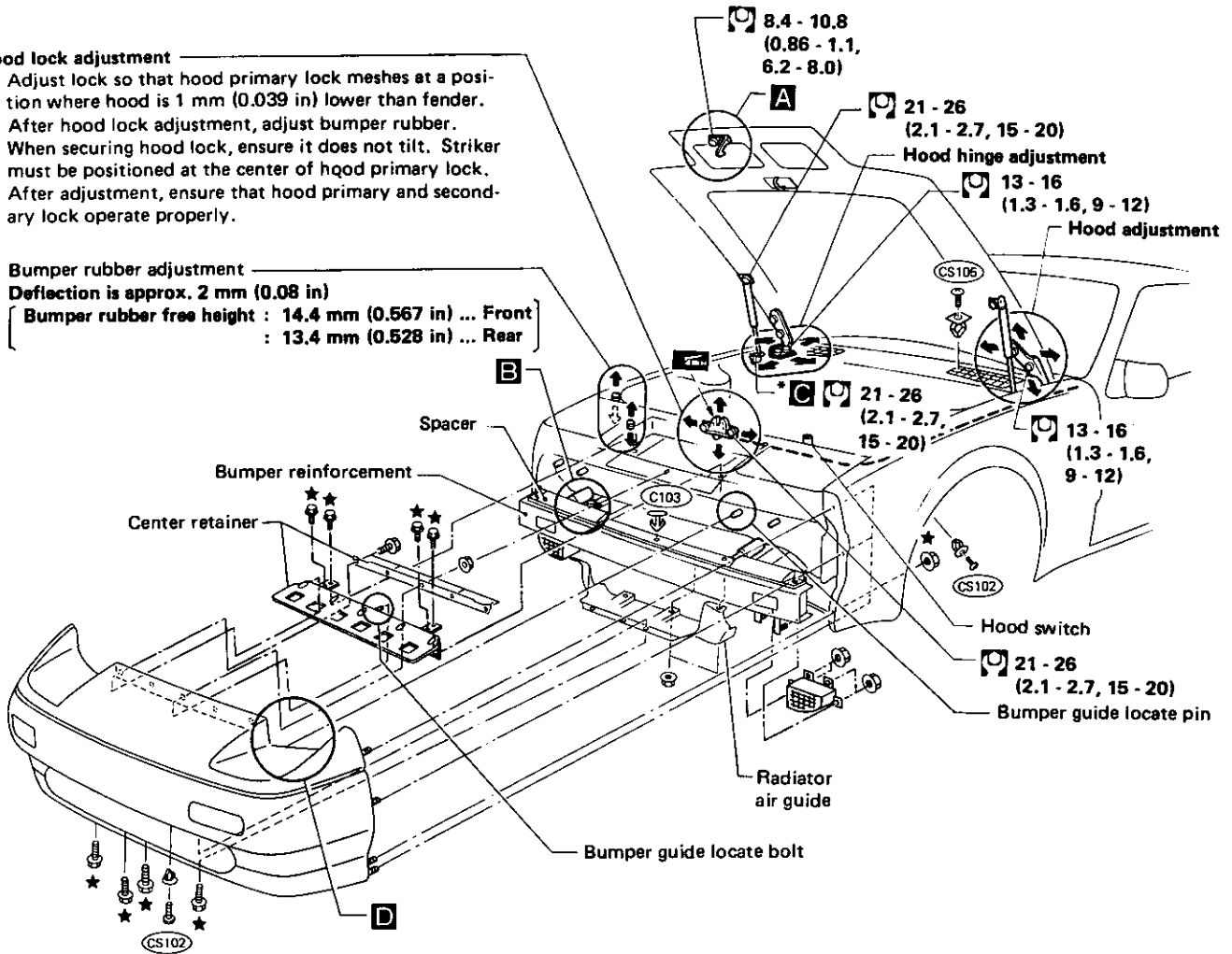
Hood lock adjustment

- Adjust lock so that hood primary lock meshes at a position where hood is 1 mm (0.039 in) lower than fender.
- After hood lock adjustment, adjust bumper rubber.
- When securing hood lock, ensure it does not tilt. Striker must be positioned at the center of hood primary lock.
- After adjustment, ensure that hood primary and secondary lock operate properly.

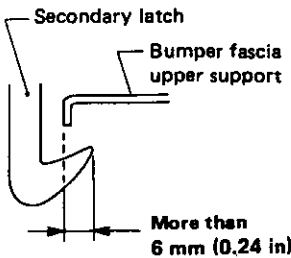
Bumper rubber adjustment

Deflection is approx. 2 mm (0.08 in)

Bumper rubber free height : 14.4 mm (0.567 in) ... Front
: 13.4 mm (0.528 in) ... Rear

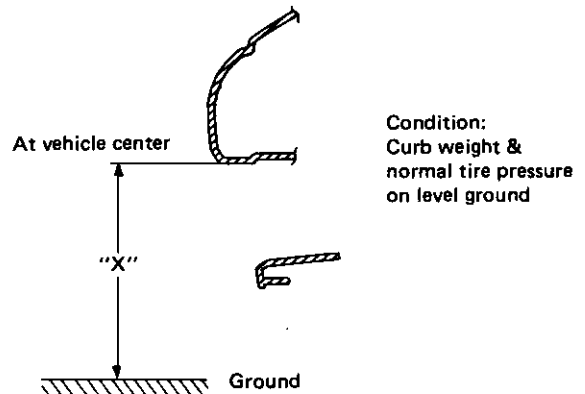


A Secondary latch hooking length



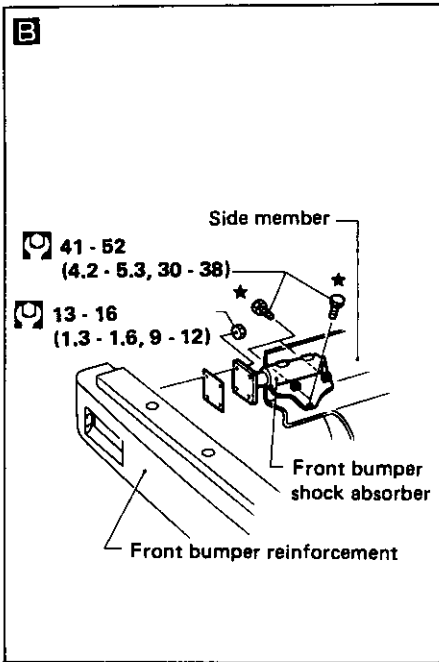
Bumper height: "X"

	2 seater	2 + 2 seater
Turbocharger model	370.7 - 420.7 mm (14.59 - 16.56 in)	373.6 - 423.6 mm (14.71 - 16.68 in)
Non-turbocharger model	369.3 - 419.3 mm (14.54 - 16.51 in)	372.7 - 422.7 mm (14.67 - 16.64 in)

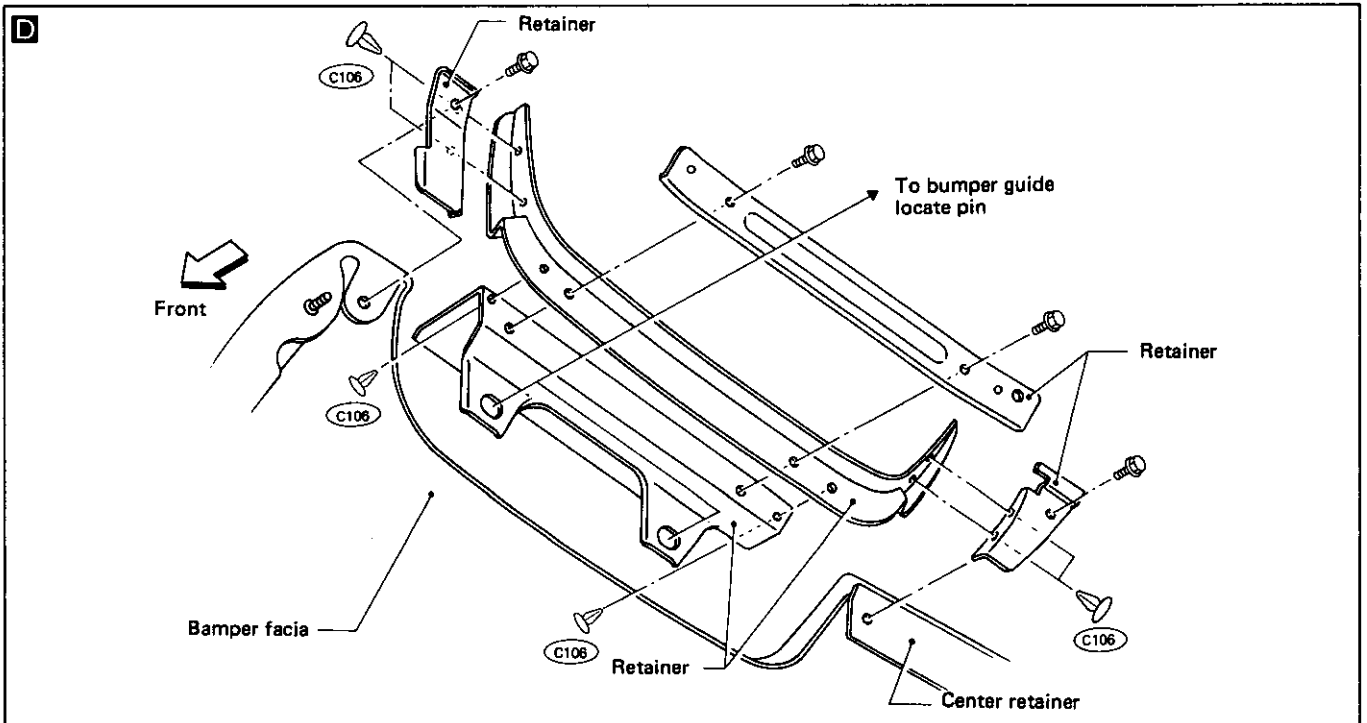
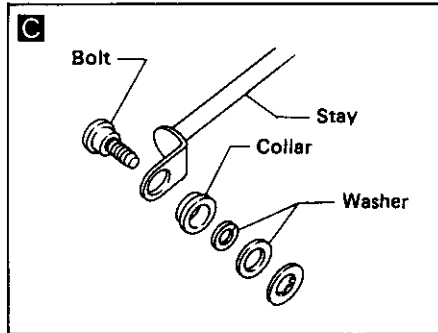


BODY END AND DOOR

Front End (Cont'd)



*Hood stay
When removing/installing hood stay lower mounting (at stay-body portion), be careful not to drop collar.



- : Grease-up point
- : N-m (kg-m, ft-lb)
- : Bumper assembly mounting bolts

SBF839D

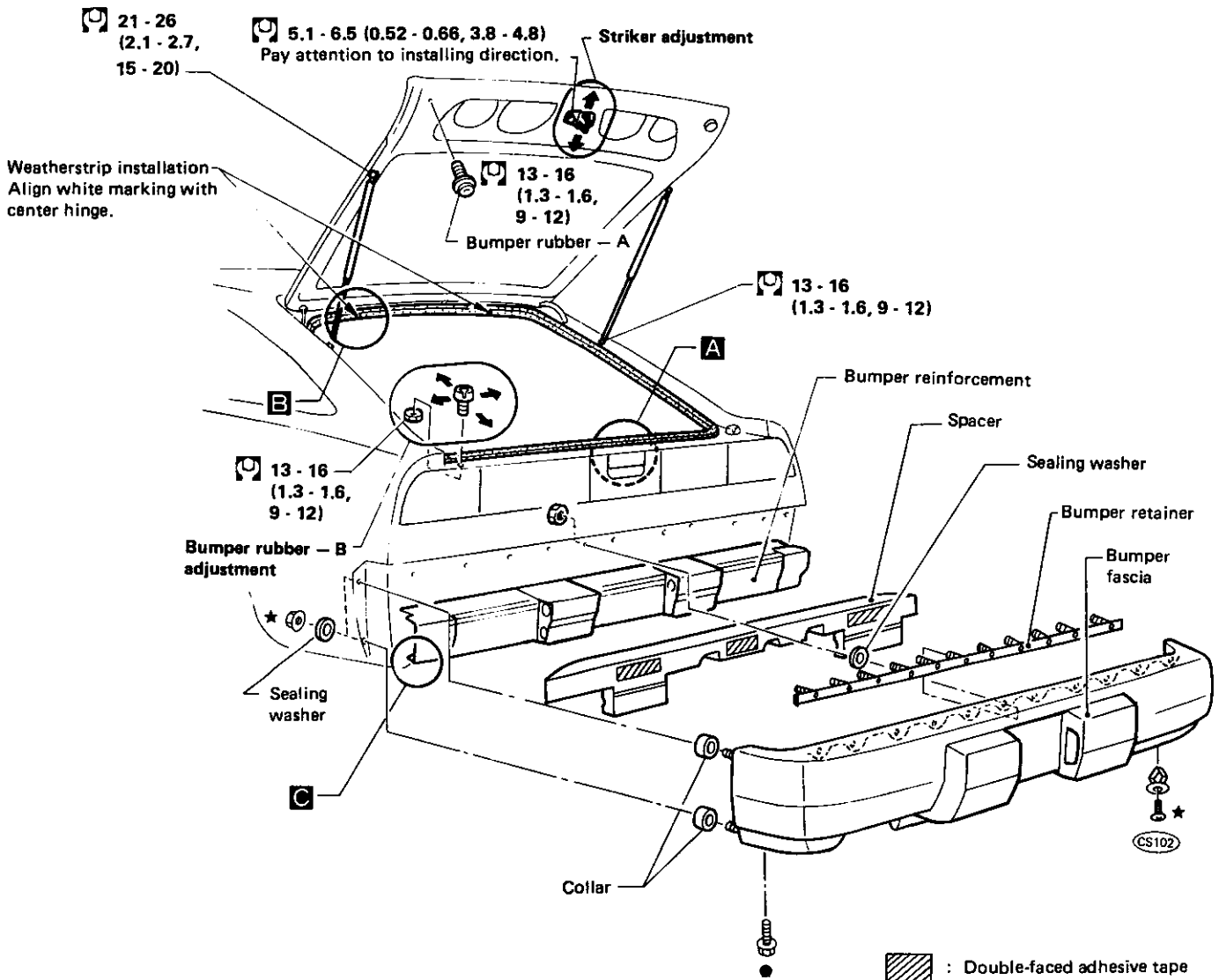
BODY END AND DOOR

Rear End

- Back door adjustment: Adjust at hinge for proper back door fit.
- Lock: Adjust lock so that it is in the center of the striker. After adjusting, check back door lock operation.
- Bumper fascia: It is made of plastic, so do not use excessive force and take care to keep oil away from it.
- When adjusting or removing/installing back door or removing/installing back door lock system, check theft warning system operation.
- Bumper shock absorber inspection: It's the same as front bumper. Refer to "Front End".

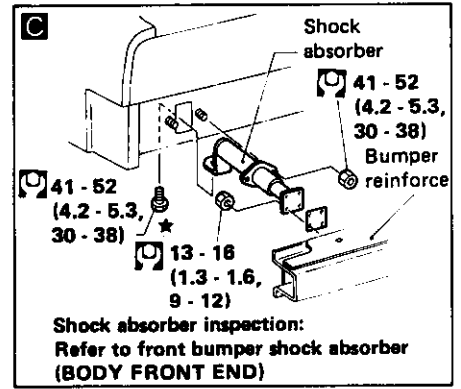
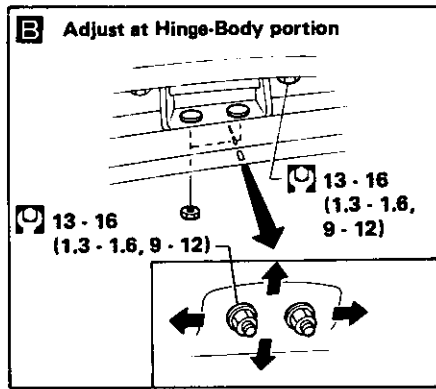
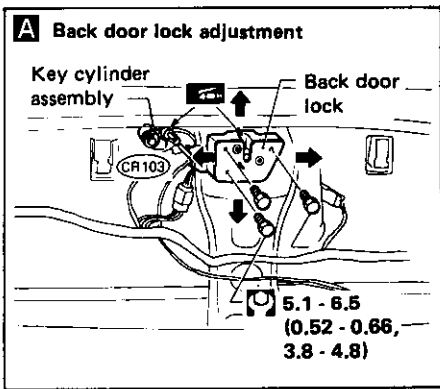
WARNING:

- Be careful not to scratch back door stay when installing back door. A scratched stay may cause gas leakage.
- The contents of the back door stay and bumper shock absorber are under pressure. Do not take apart, puncture, apply heat or allow fire near it.



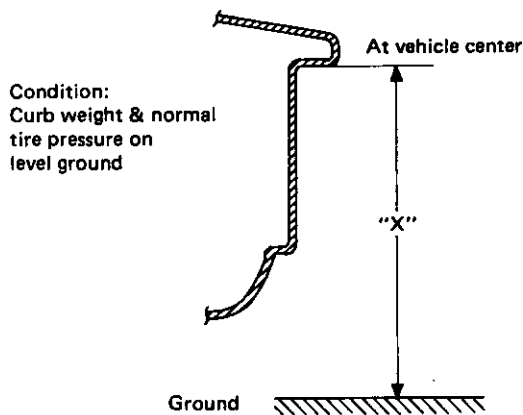
BODY END AND DOOR

Rear End (Cont'd)



Bumper height: "X"

	2 seater	2+2 seater
Turbocharger model	531.9 - 581.9 mm (20.94 - 22.91 in)	528.0 - 578.0 mm (20.79 - 22.76 in)
Non-turbocharger model	539.7 - 589.7 mm (21.25 - 23.22 in)	534.6 - 584.6 mm (21.05 - 23.02 in)



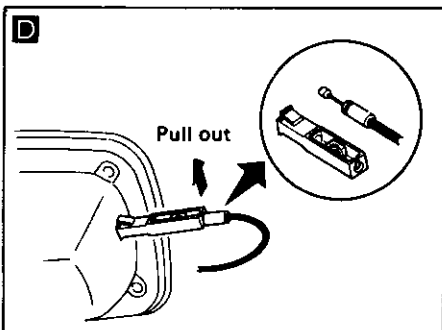
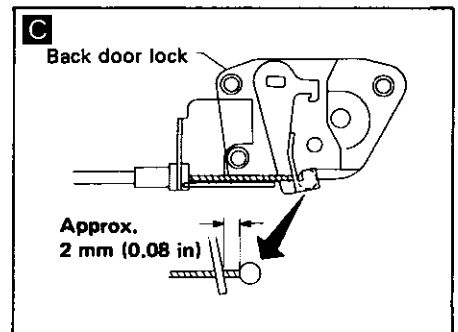
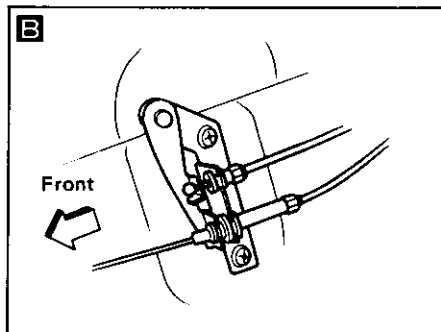
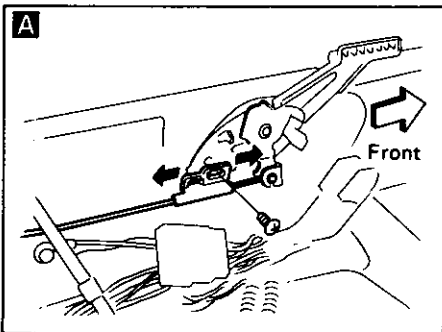
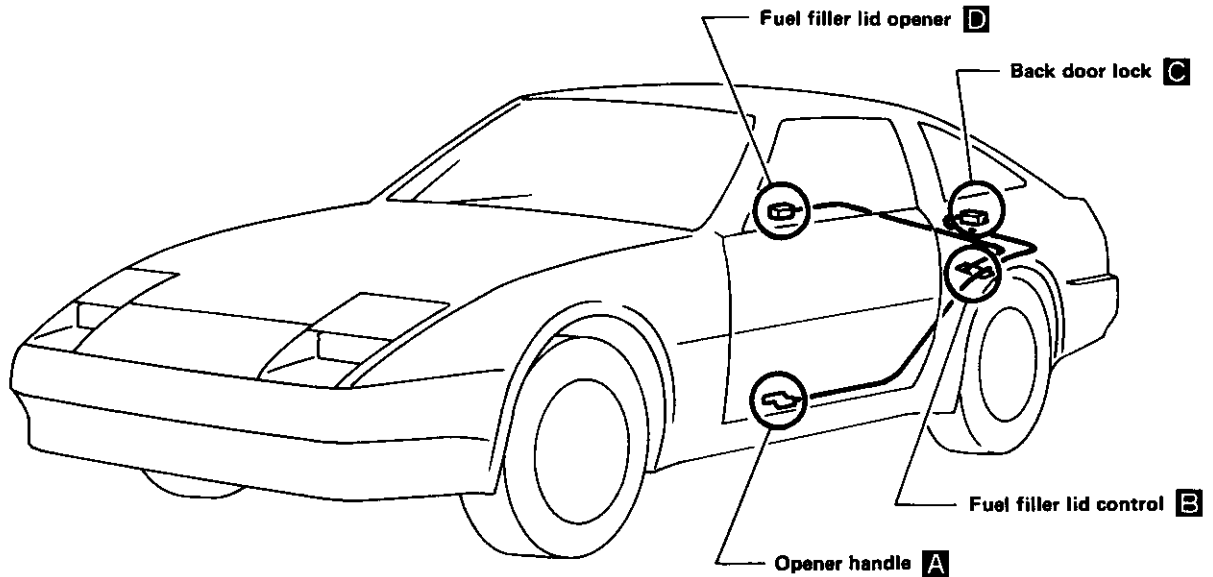
- : N-m (kg-m, ft-lb)
- : Grease-up points
- : Bumper assembly mounting bolts and nuts

SBF472D

BODY END AND DOOR

Back Door and Fuel Filler Lid Opener

- Opener cable: Do not attempt to bend cable using excessive force.
- After installation, make sure that back door and fuel filler lid open smoothly.

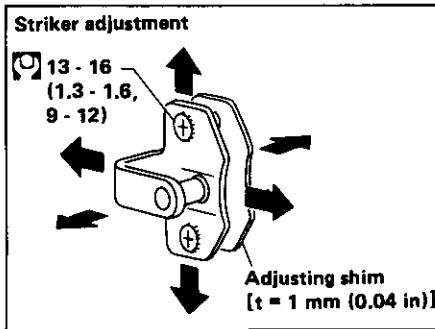
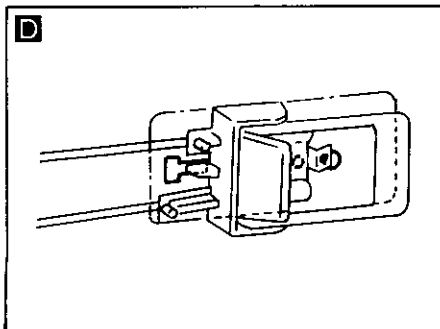
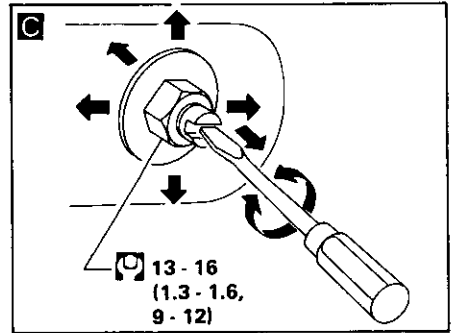
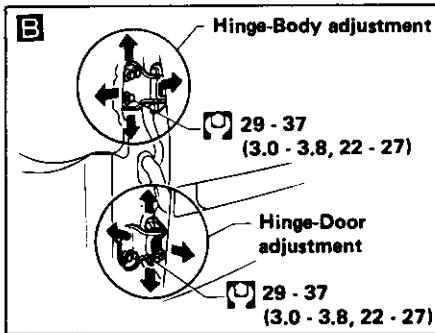
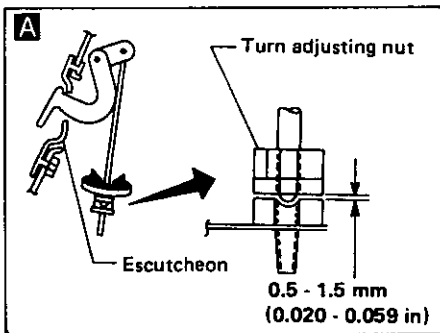
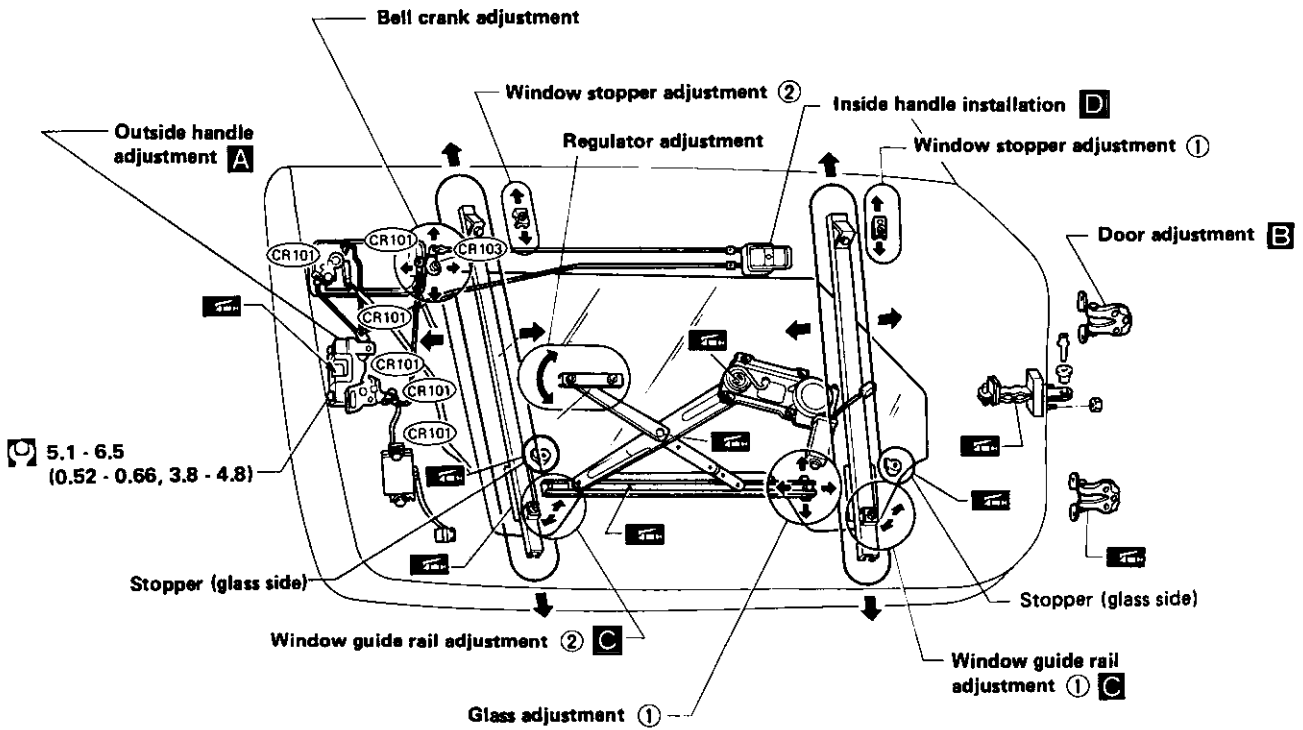


SBF699D

BODY END AND DOOR

Front Door

- After adjusting door or door lock, check door lock operation.
- When adjusting or removing/installing door or removing/installing door lock system or door switch, check theft warning system operation.



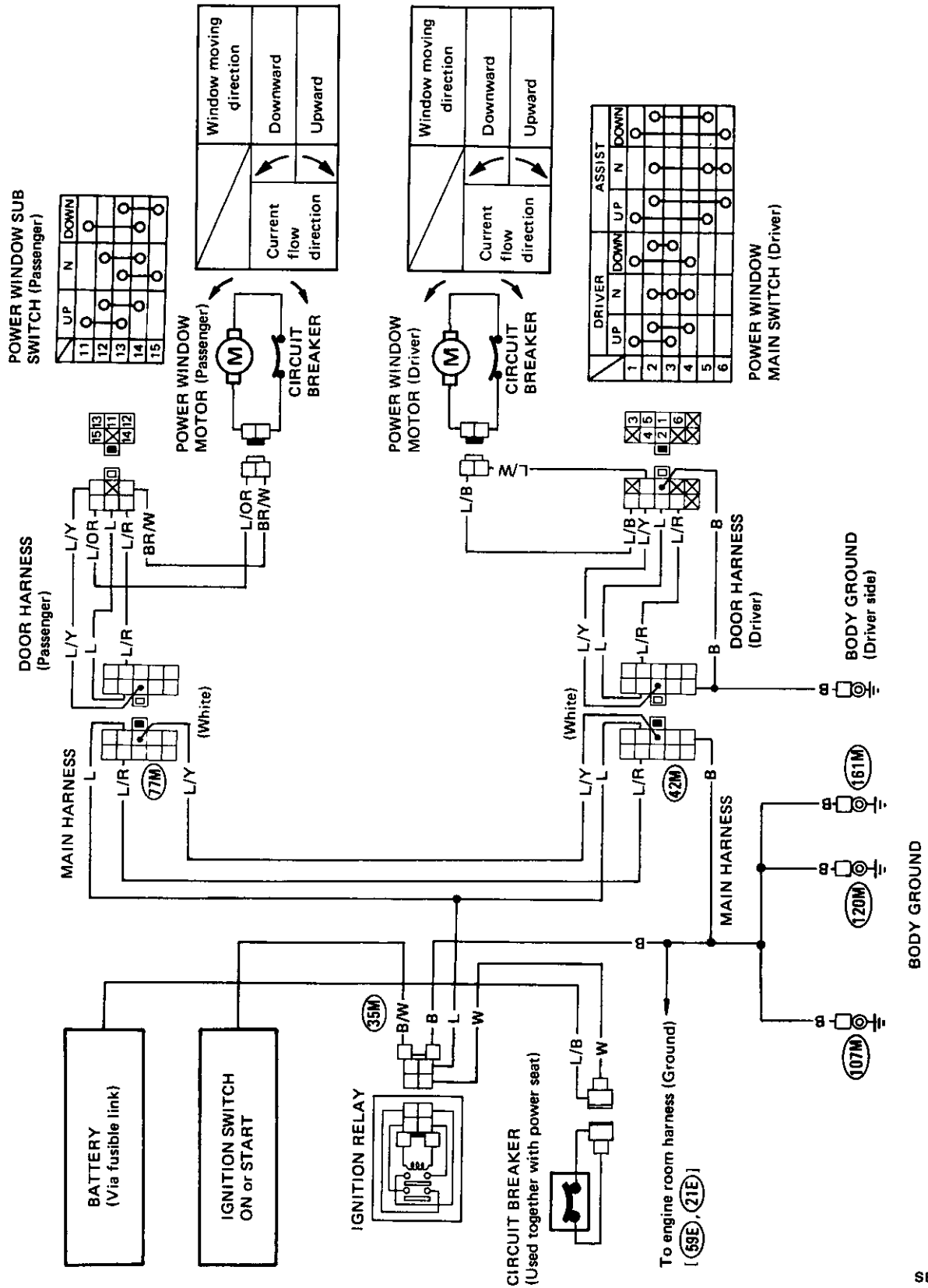
: Grease-up points
 : N·m (kg·m, ft·lb)

SBF834D

BODY END AND DOOR

Front Door (Cont'd)

POWER WINDOW/WIRING DIAGRAM

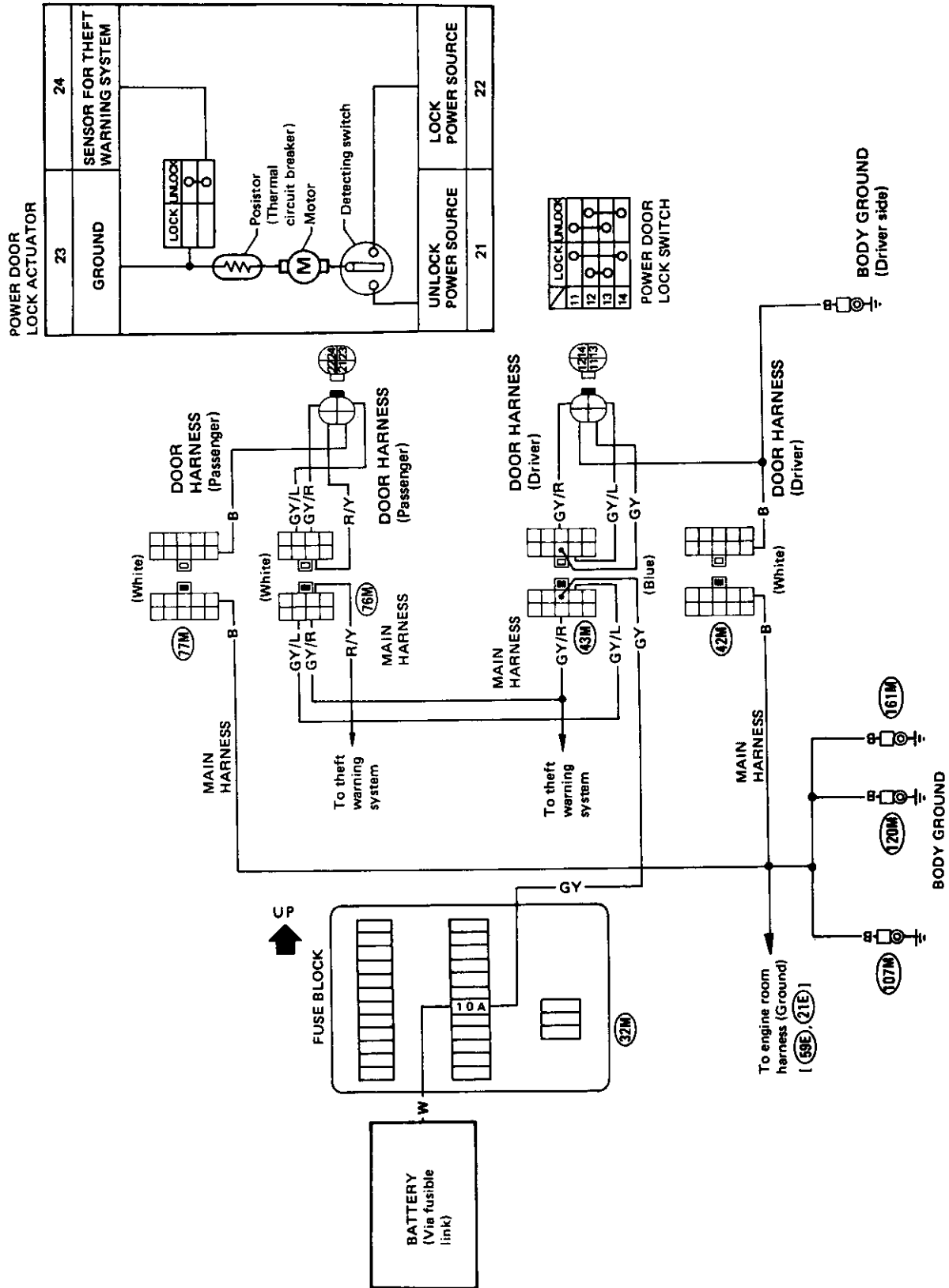


S8F8800

BODY END AND DOOR

Front Door (Cont'd)

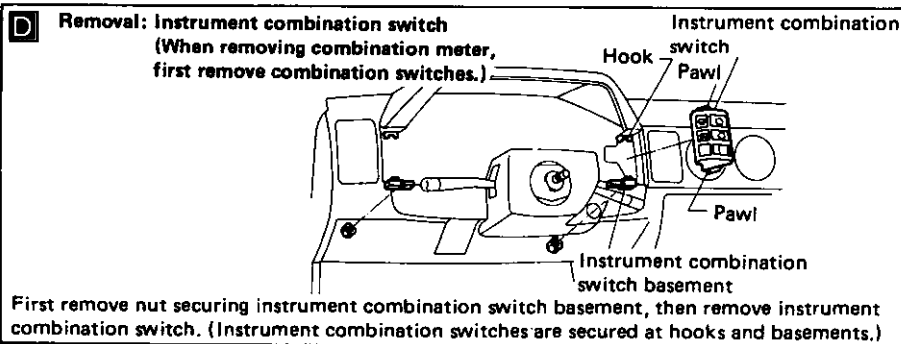
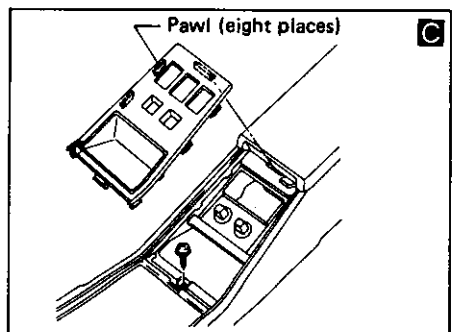
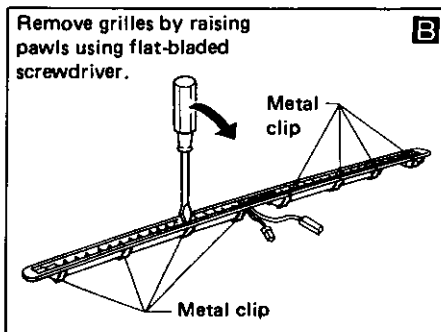
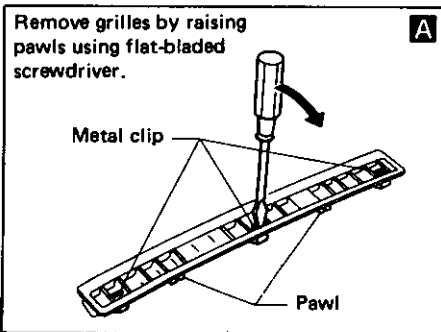
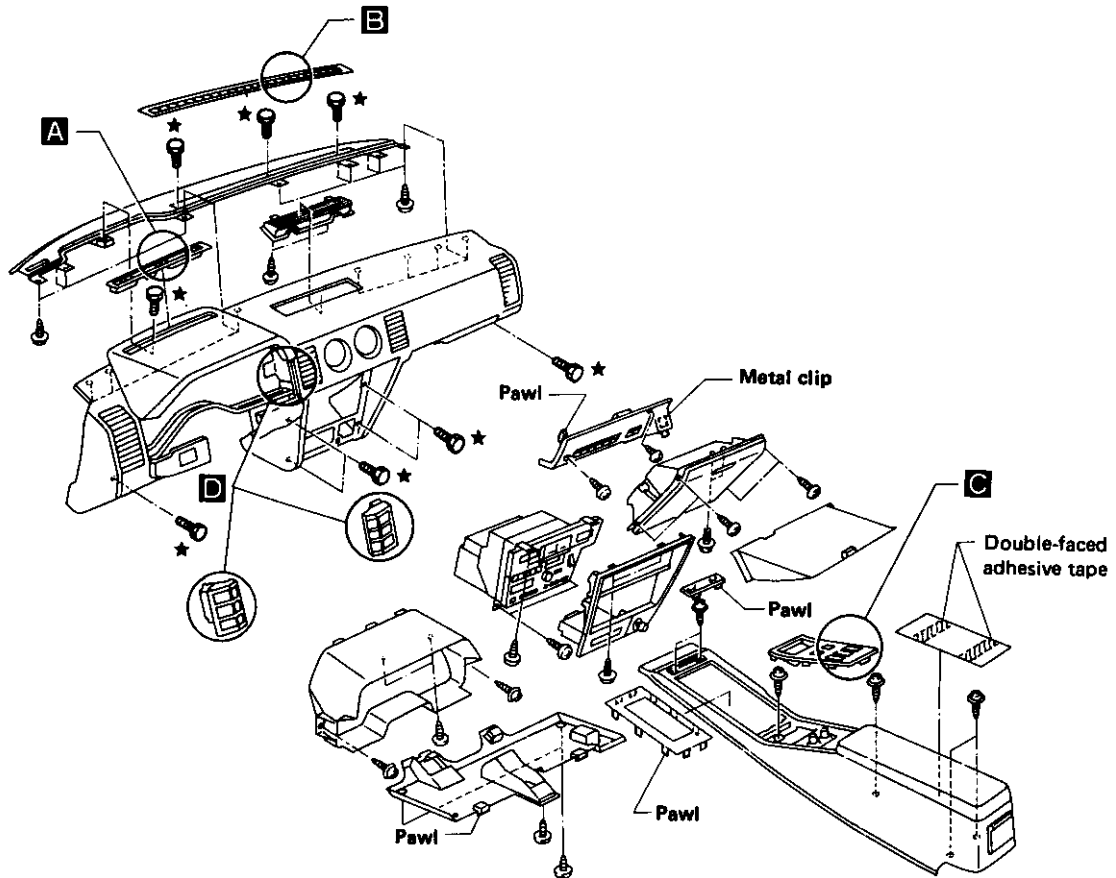
POWER DOOR LOCK/WIRING DIAGRAM



SBF790D

INSTRUMENT

- These parts are made of plastic, so do not use excessive force and be careful not to damage them.
- When you remove instrument assembly, you should remove radio, meter and defroster grille.

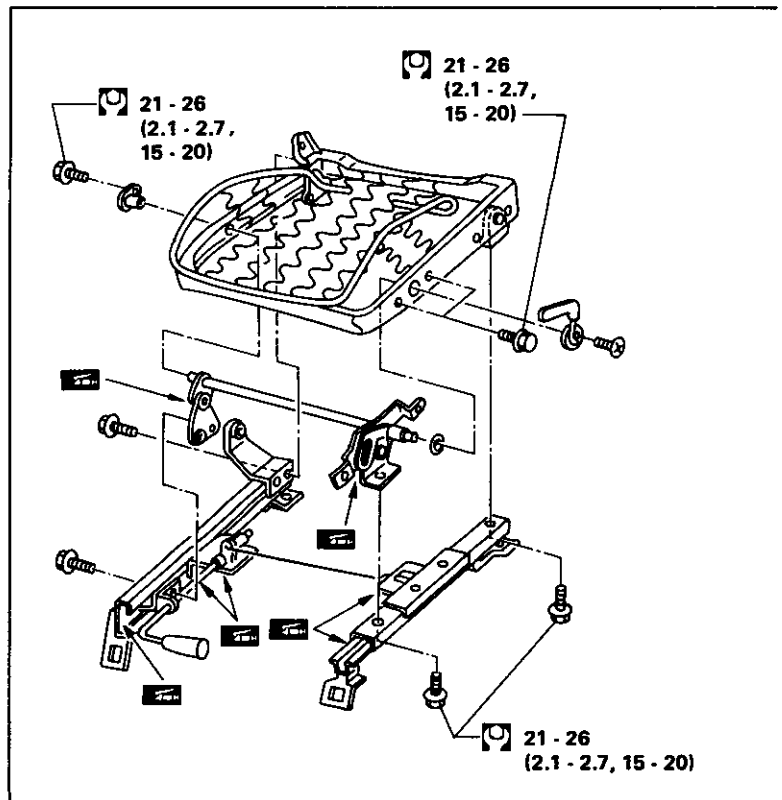
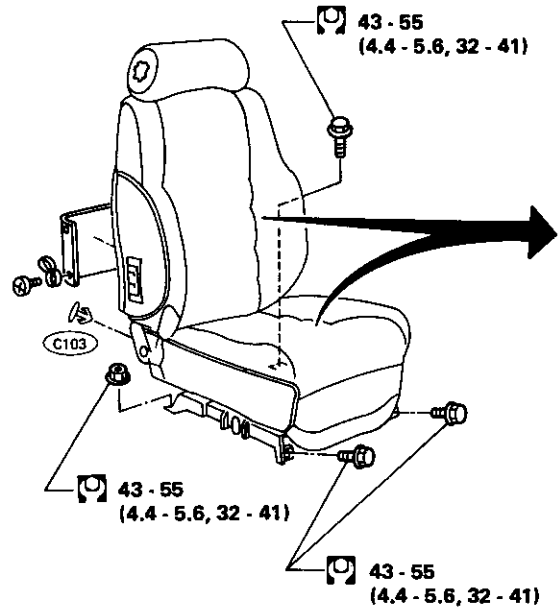


●: Instrument assembly mounting screw

SBF478D

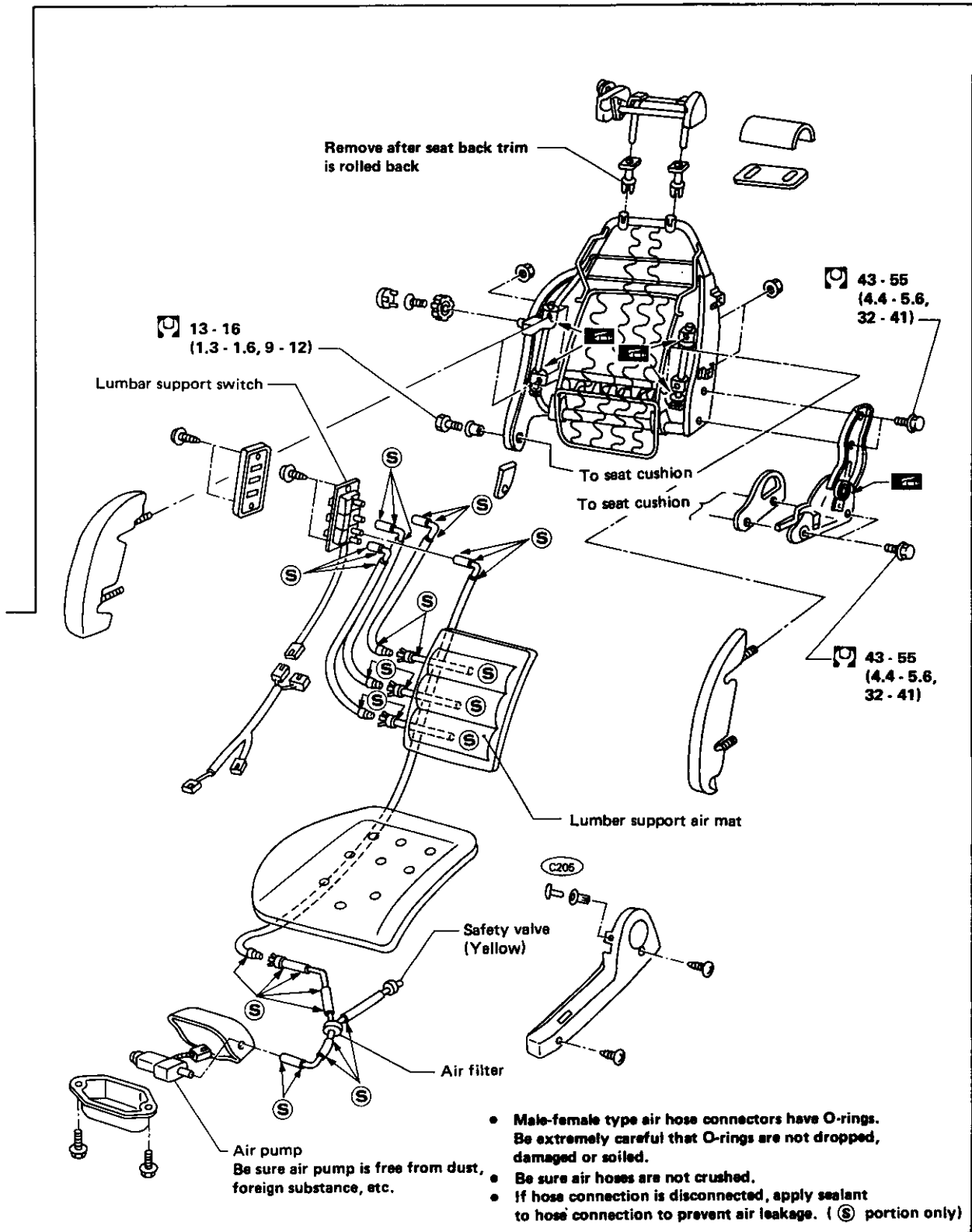
SEAT

Front Semi Power Driver Seat



SEAT

Front Semi Power Driver Seat (Cont'd)



- : N·m (kg·m, ft·lb)
- : Grease-up points
(Do not apply too much grease as it will drip.)
- : Sealant points

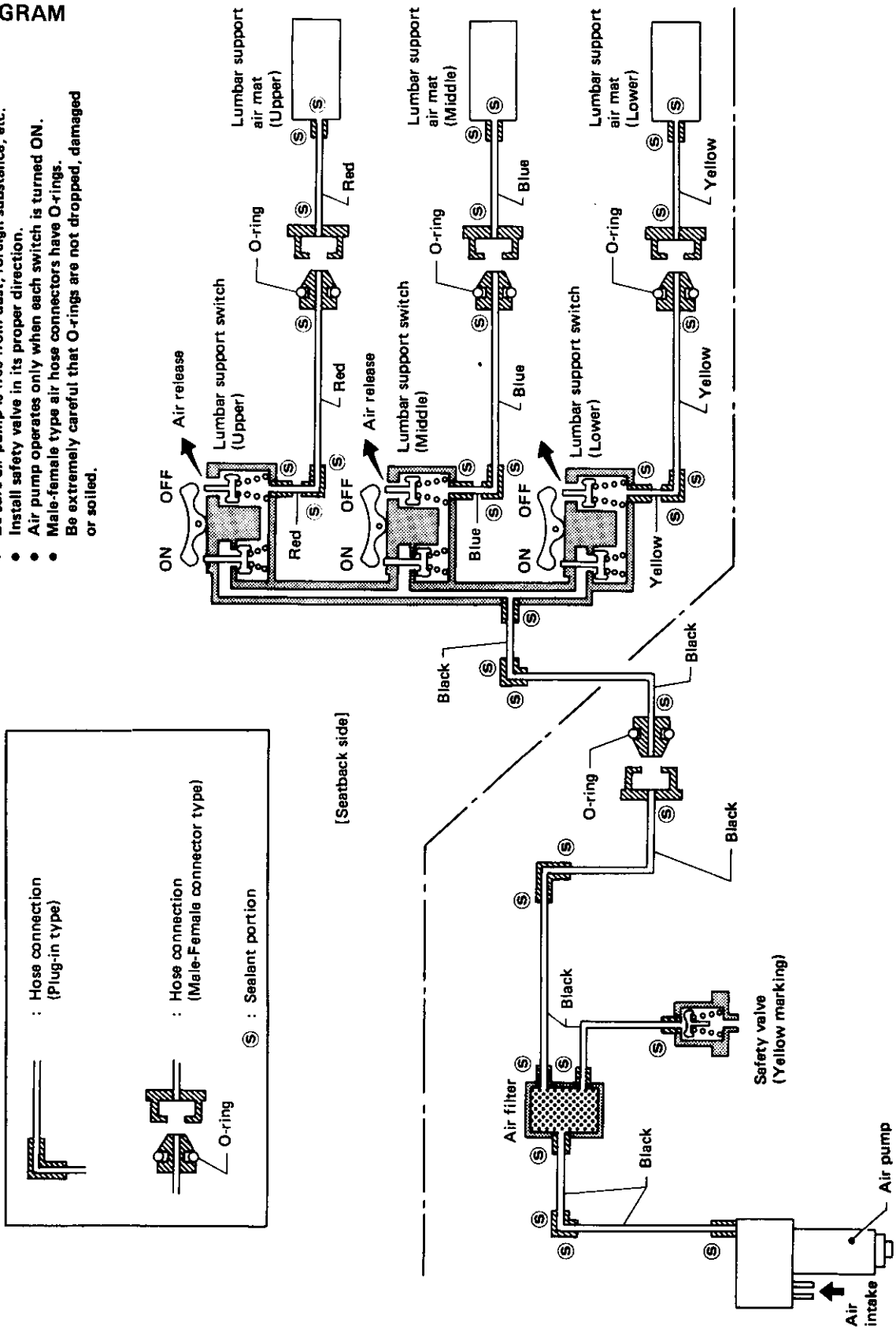
SBF706D

SEAT

Front Semi Power Driver Seat (Cont'd)

AIR DIAGRAM

- Be sure air hoses are not crushed.
- If hose connection is disconnected, apply sealant to hose connection to prevent air leakage. (Ⓢ portion only)
- Be sure air pump is free from dust, foreign substance, etc.
- Install safety valve in its proper direction.
- Air pump operates only when each switch is turned ON.
- Male-female type air hose connectors have O-rings. Be extremely careful that O-rings are not dropped, damaged or soiled.

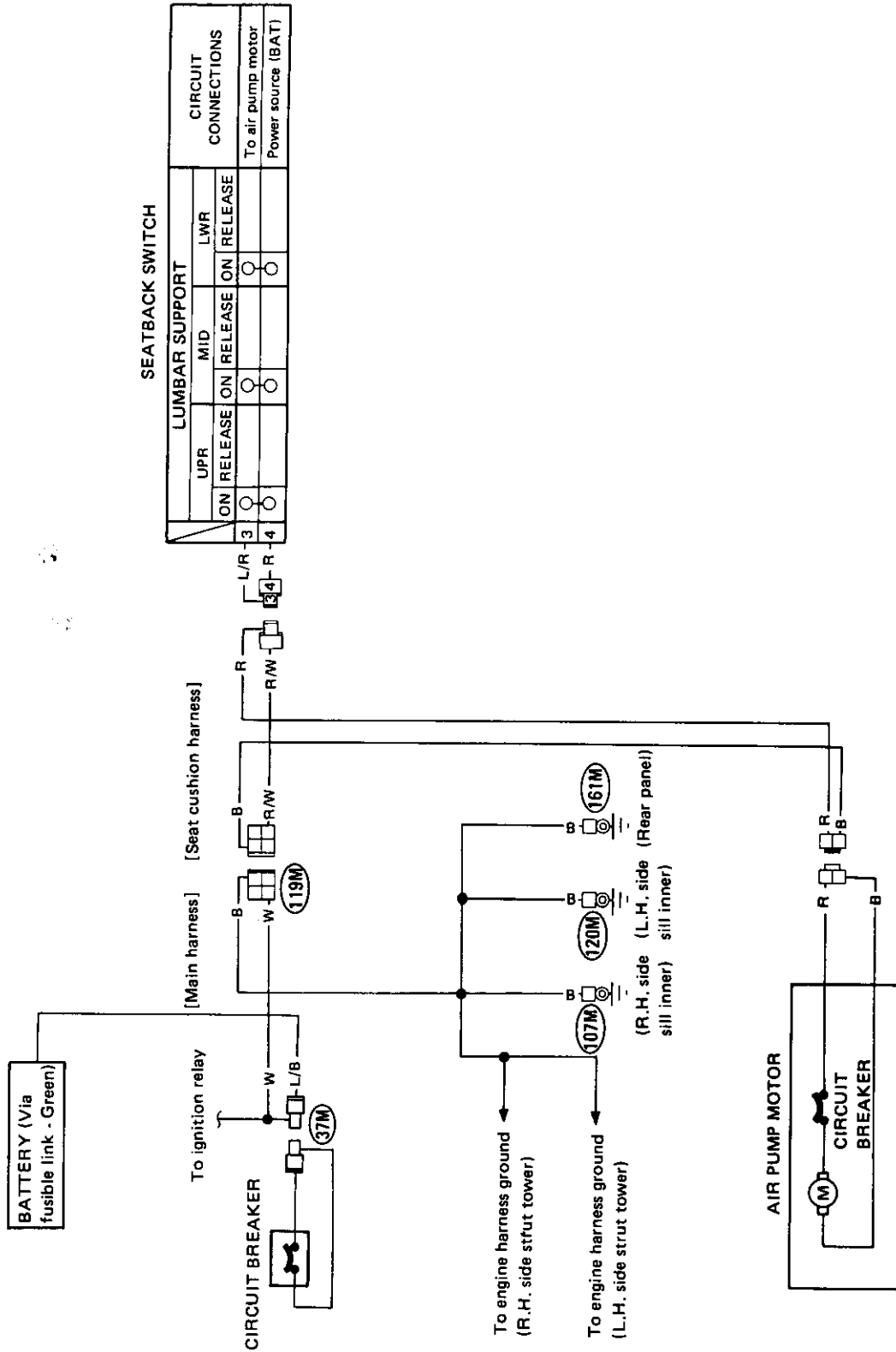


SBF556D

SEAT

Front Semi Power Driver Seat (Cont'd)

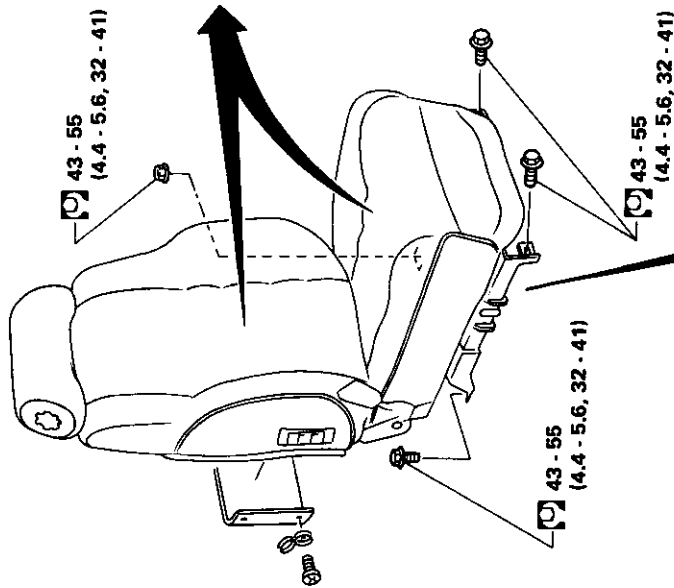
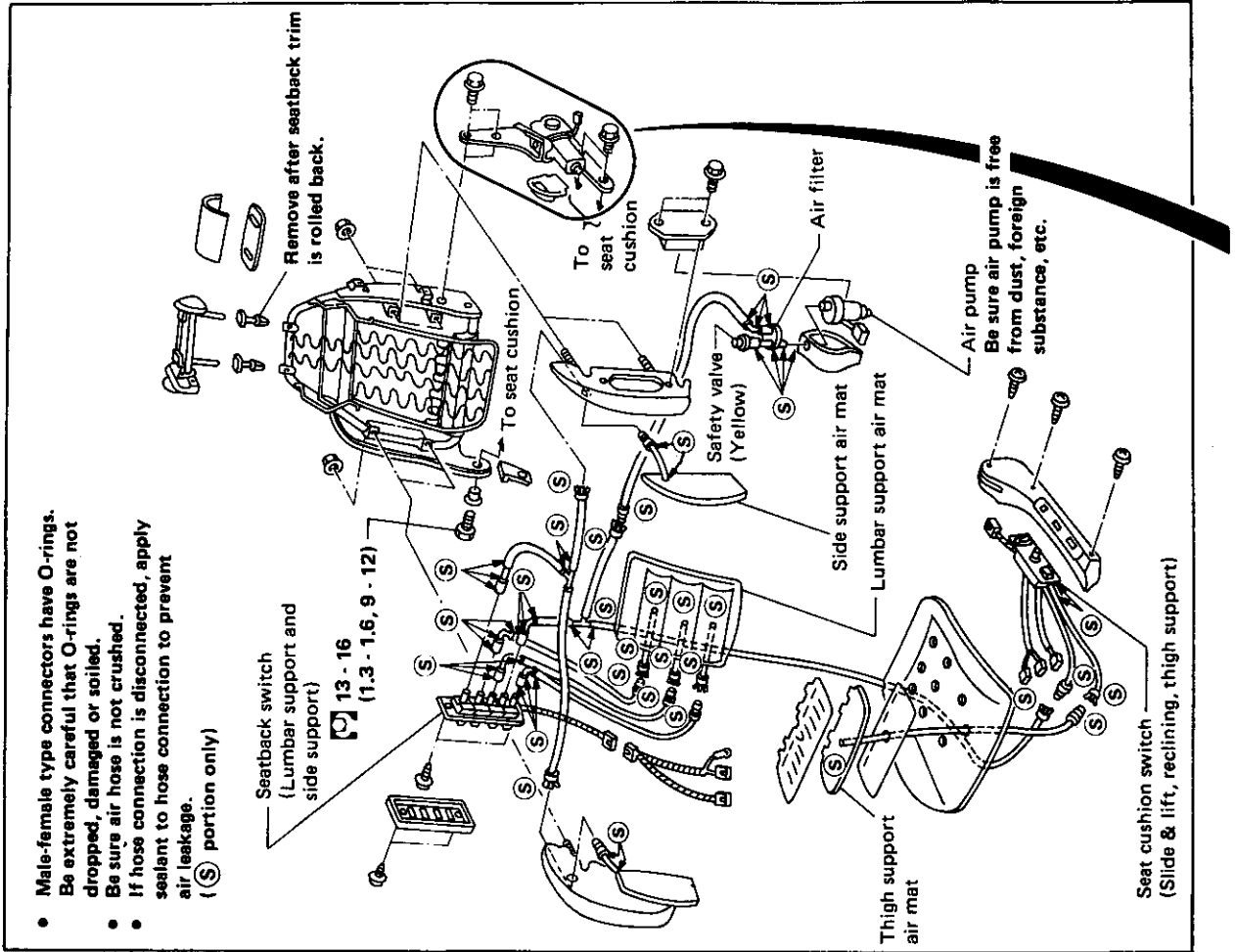
WIRING DIAGRAM



SBF537D

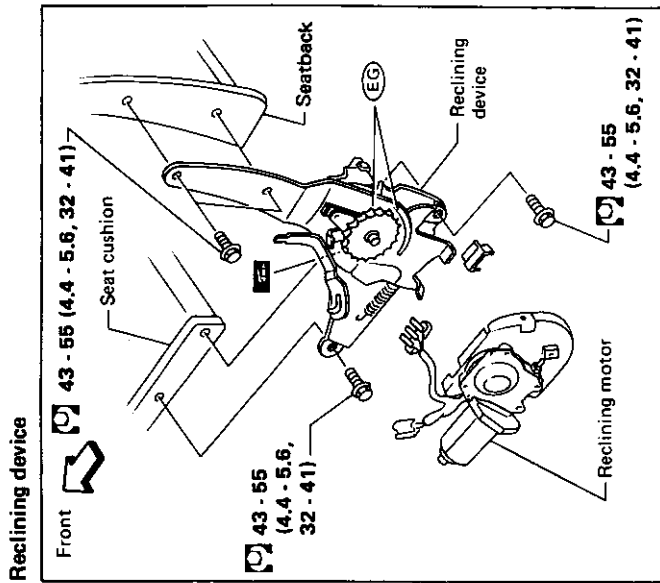
SEAT

Front Full Power Driver Seat

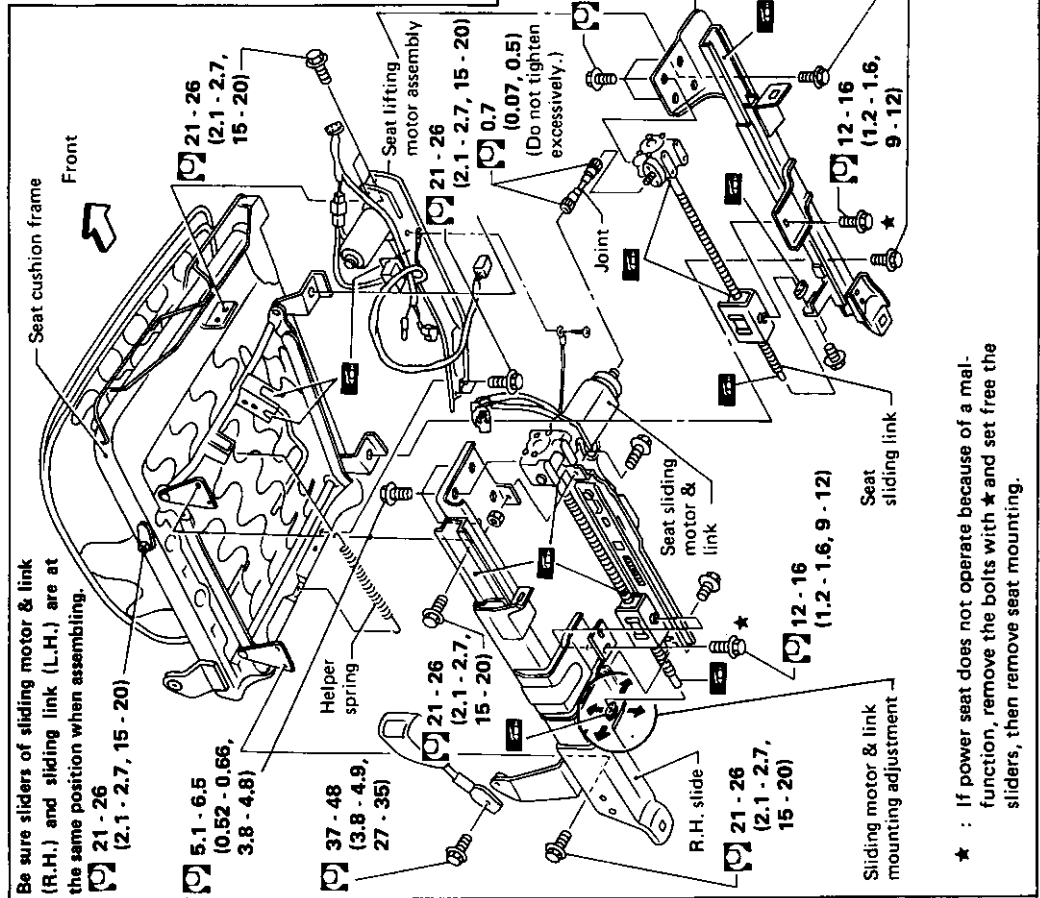


SEAT

Front Full Power Driver Seat (Cont'd)



- : N·m (kg·m, ft·lb)
- : Grease up points (Do not apply too much grease as it will drip.)
- : Grease up points (Conductible type)
- : Sealant points

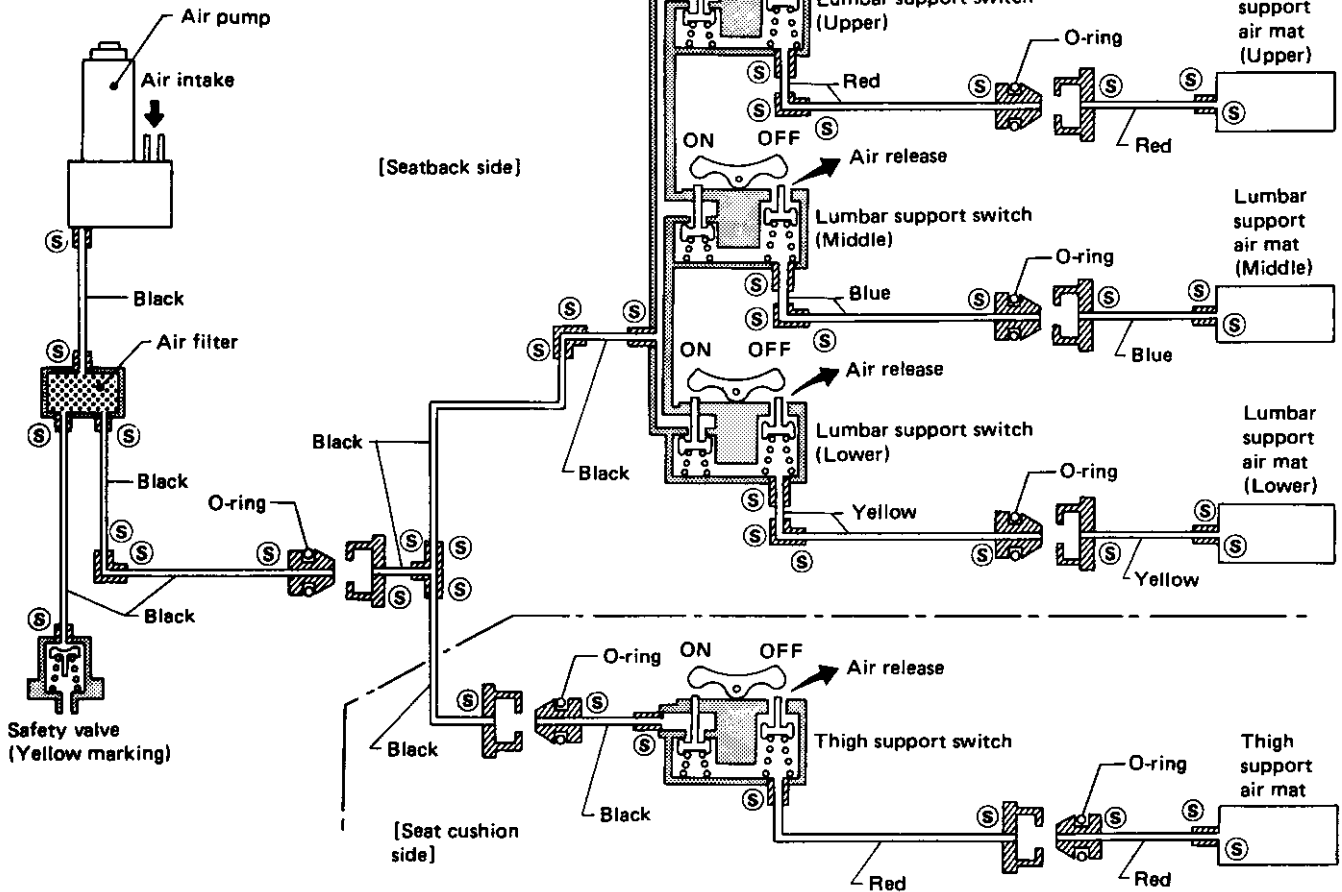
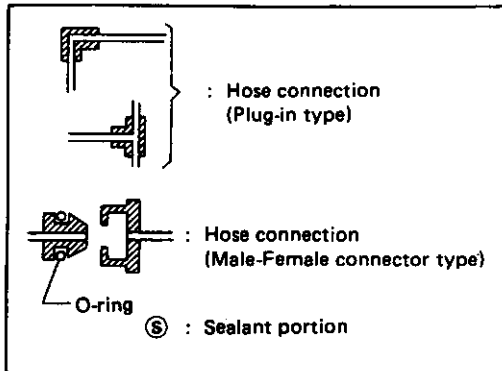


SEAT

Front Full Power Driver Seat (Cont'd)

AIR DIAGRAM

- Be sure air hoses are not crushed.
- If hose connection is disconnected, apply sealant to hose connection to prevent air leakage. (S portion only)
- Be sure air pump is free from dust, foreign substance, etc.
- Install safety valve in its proper direction.
- Air pump operates only when each switch is turned ON.
- Male-female type connectors have O-rings.
- Be extremely careful that O-rings are not dropped, damaged or soiled.

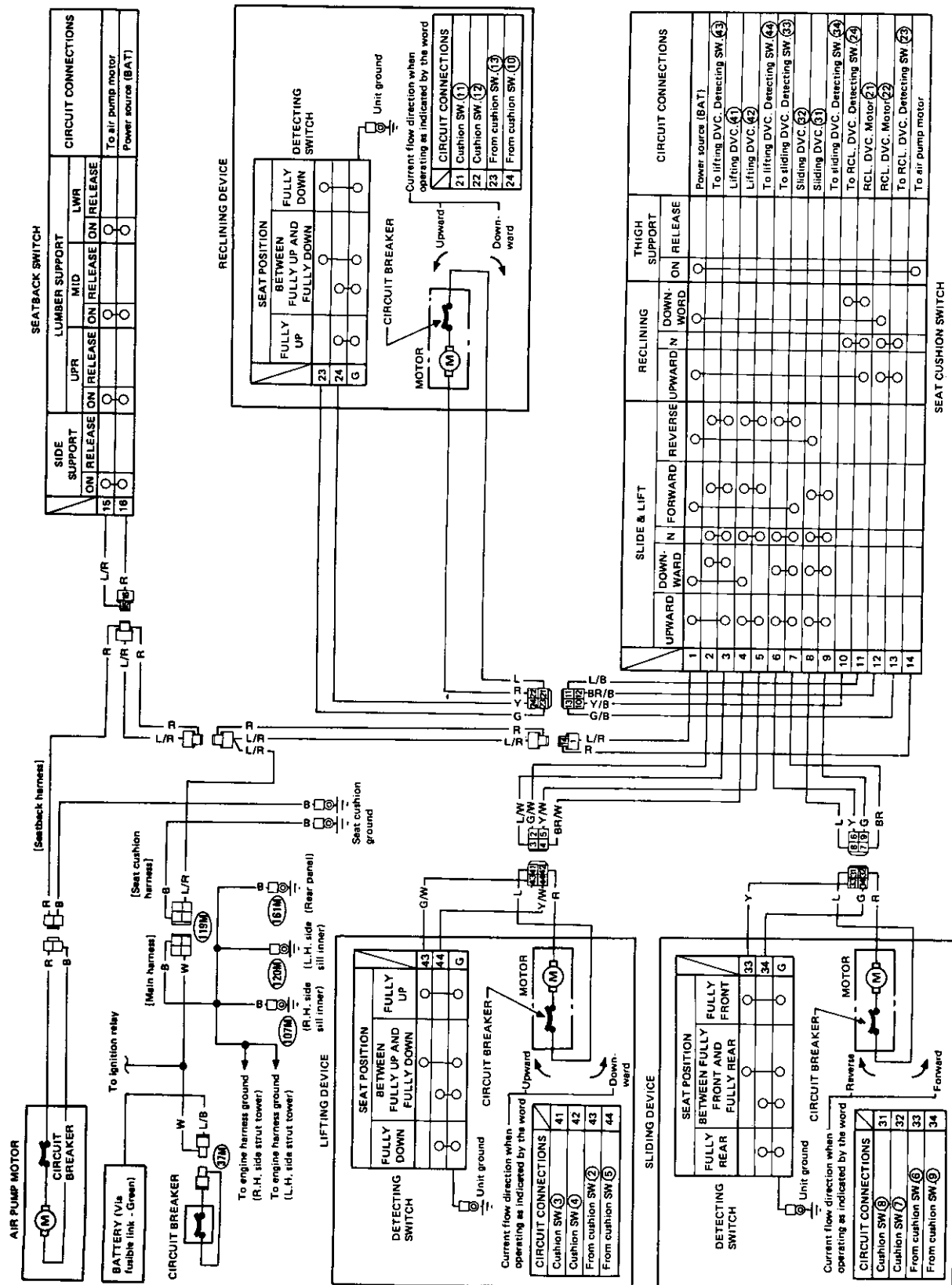


SBF531C

SEAT

Front Full Power Driver Seat (Cont'd)

WIRING DIAGRAM



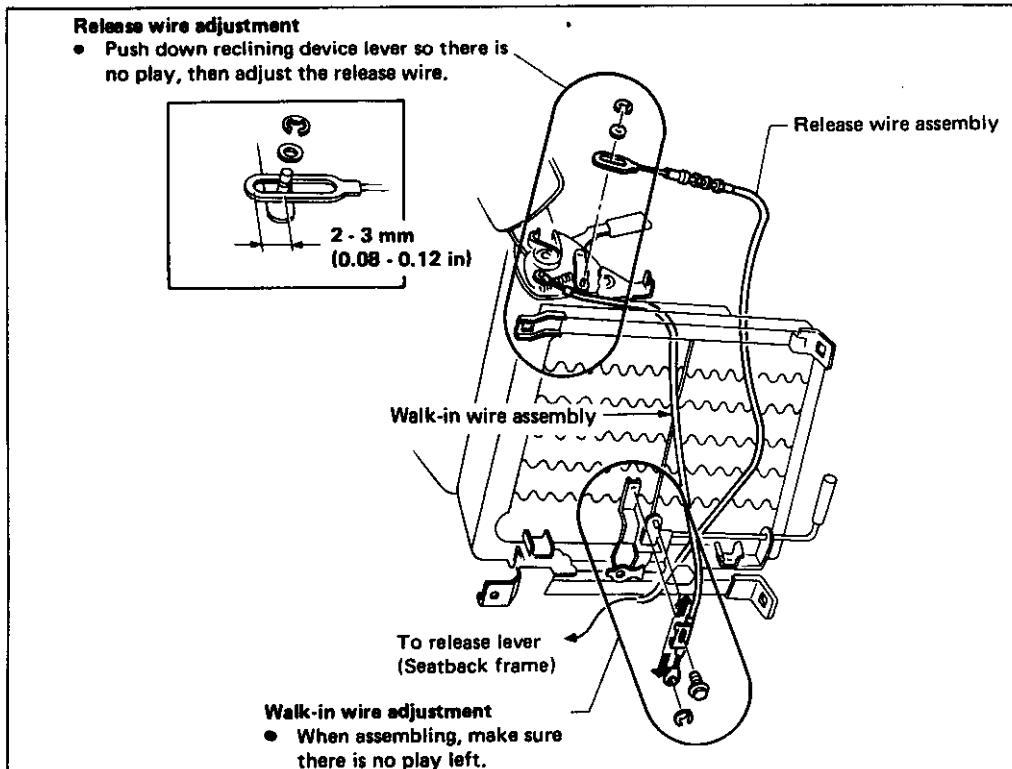
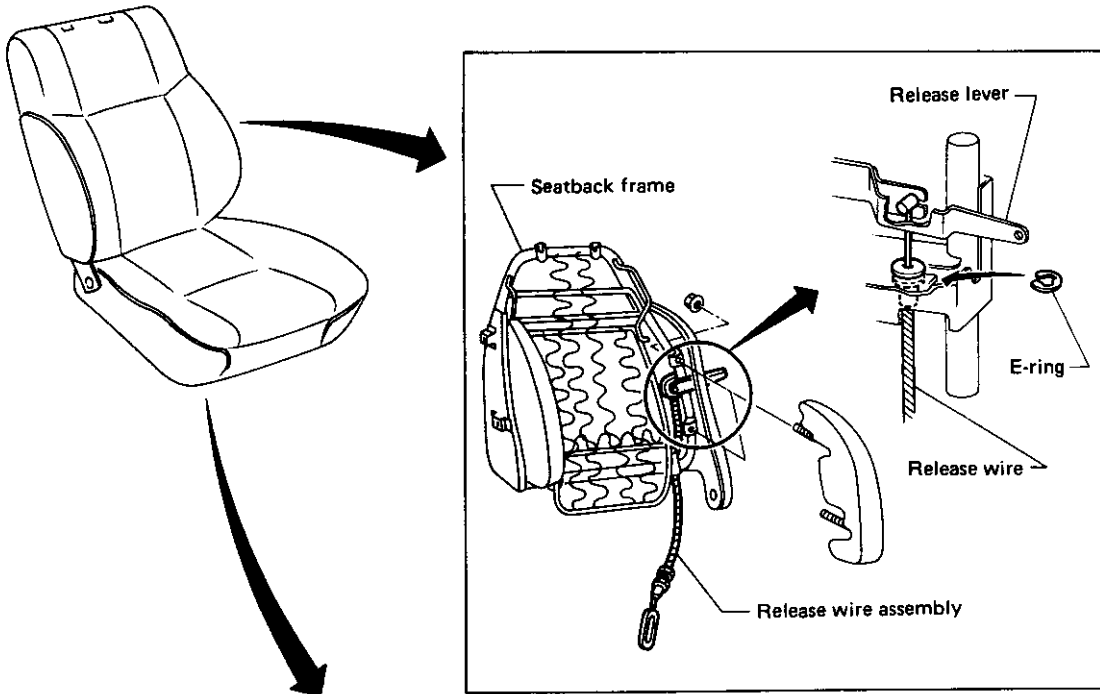
SBF538D

SEAT

Front Passenger Seat

- Basically, this seat is the same as manual type front driver seat. 2 + 2 seater model differs from manual type front seat in the walk-in mechanism has been added to it. Refer to the description on manual type driver seat except for walk-in mechanism.

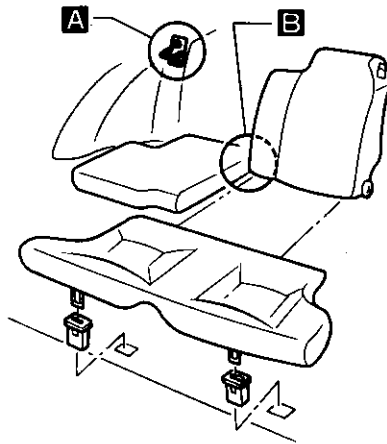
WALK-IN MECHANISM




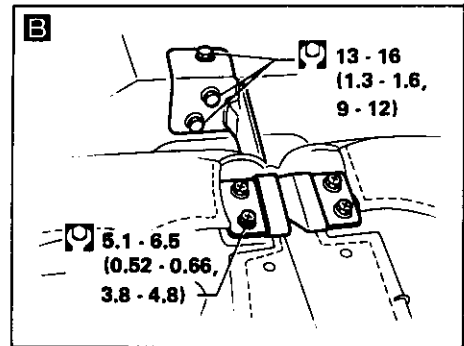
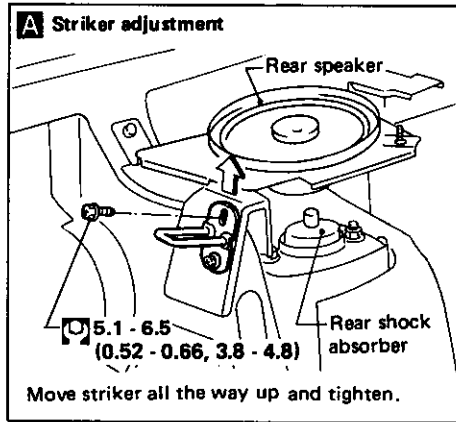
SBF528C

SEAT

Rear Seat



 : N·m (kg·m, ft·lb)

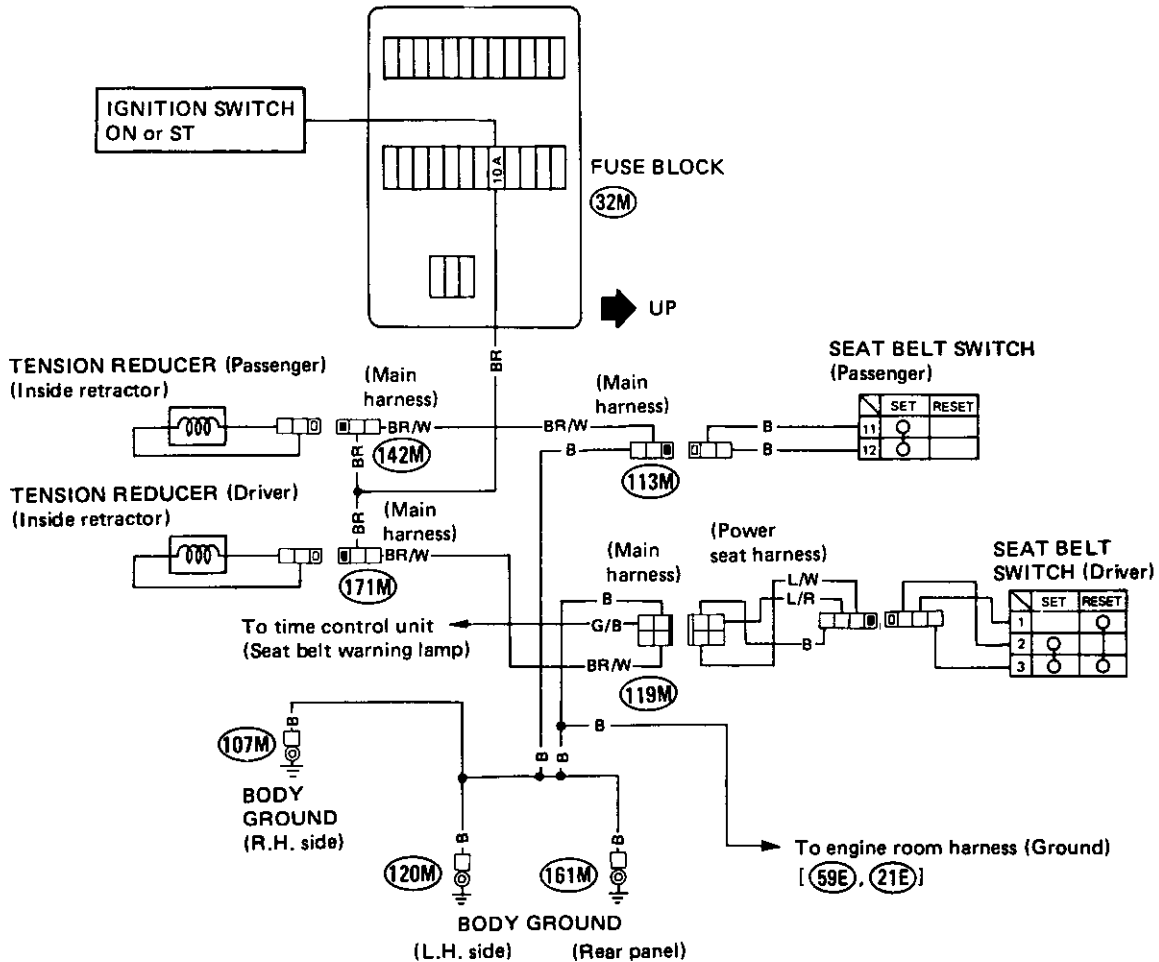


SBF836D

SEAT BELT

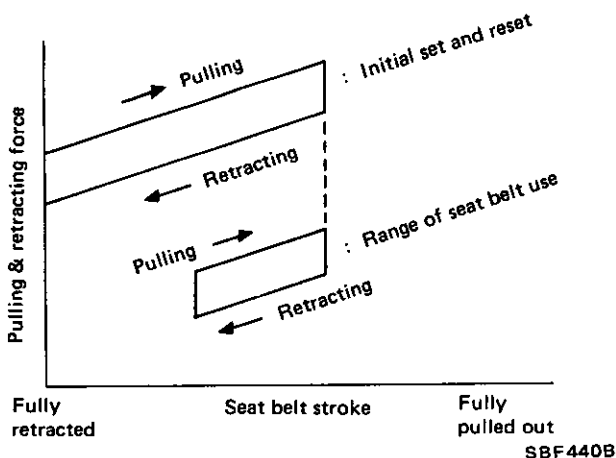
- Refer to MA section for installation of seat belts.
- GLL model has been equipped with seat belts with tension reducer. This unit reduces the force required to pull out seat belt while in use, and lessens pressure on the shoulder and hips for greater comfort.

TENSION REDUCER WIRING DIAGRAM



SBF791D

TENSION REDUCE OPERATION

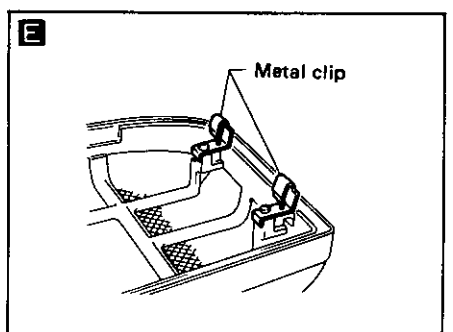
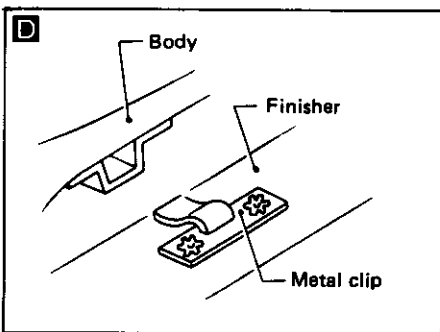
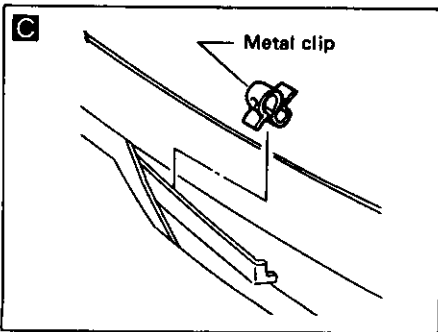
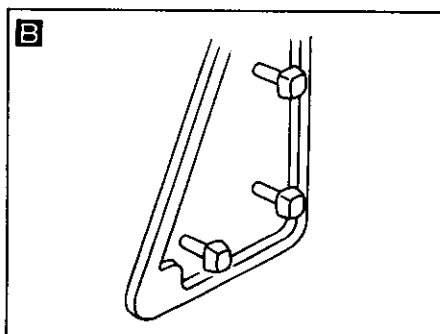
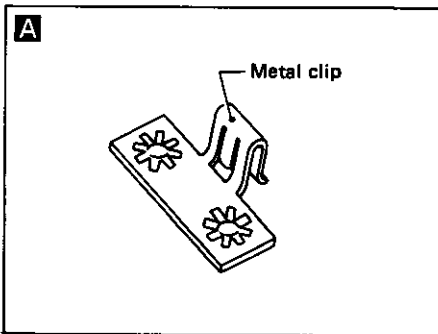
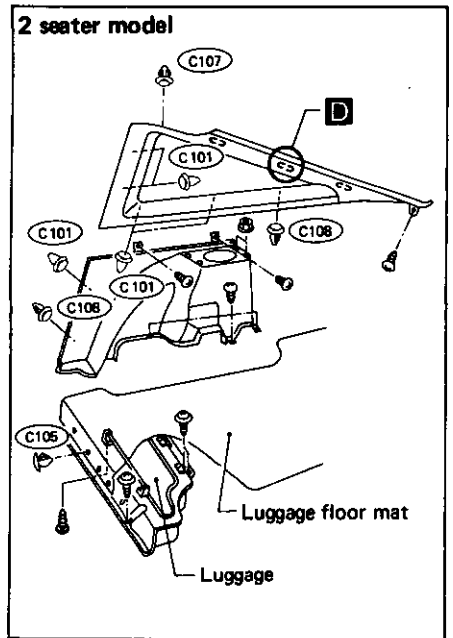
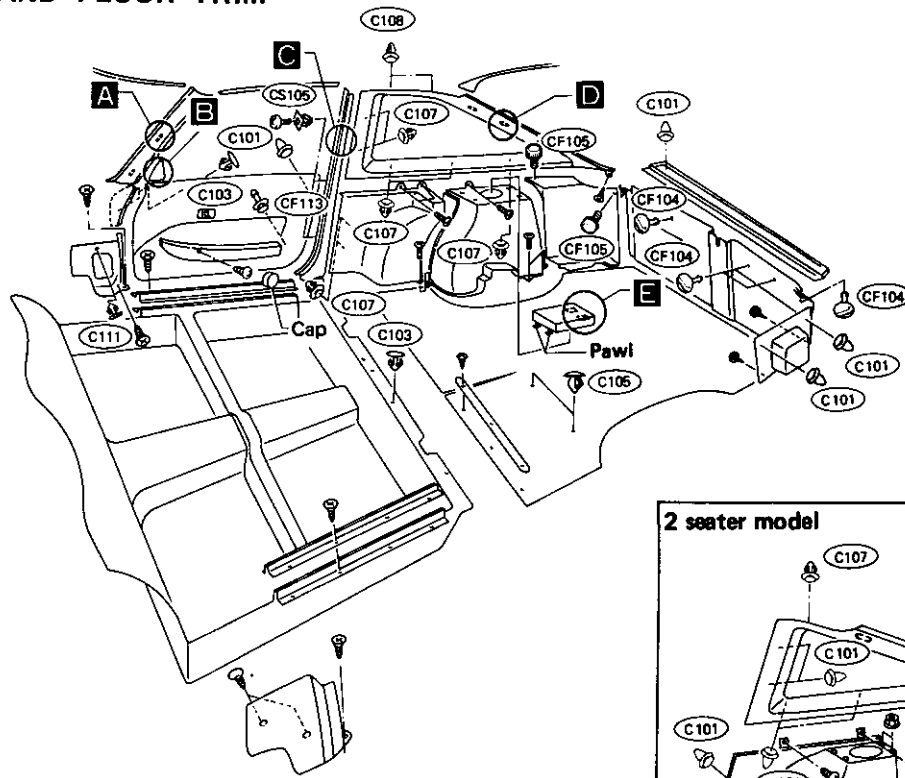


INTERIOR AND EXTERIOR

- When removing clip or fastener, refer to CLIP & FASTENER.
- When handling trim or molding, do not use excessive force and take care not to damage them.

Inside Trim

SIDE, LUGGAGE AND FLOOR TRIM



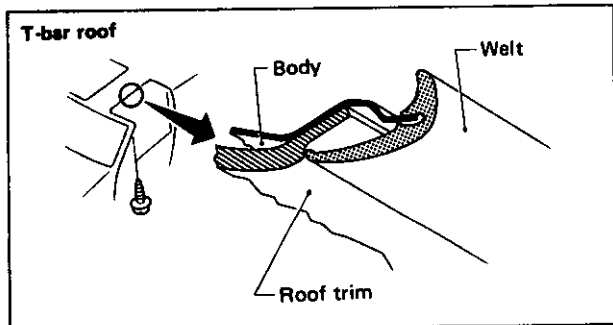
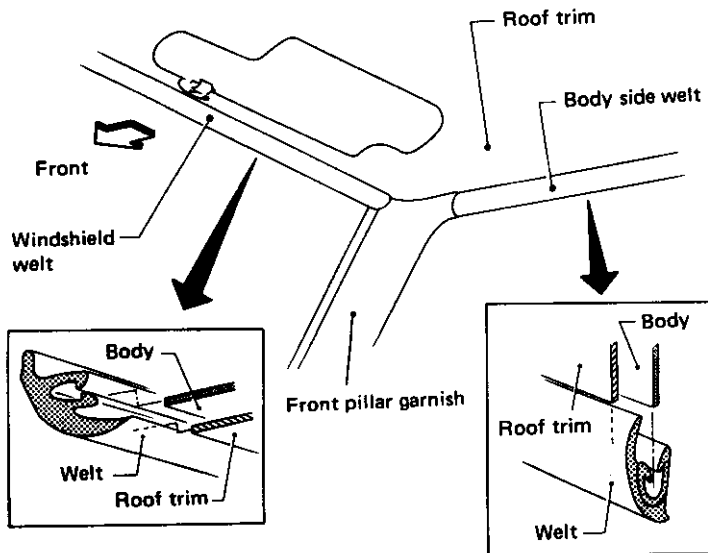
SBF837D

INTERIOR AND EXTERIOR

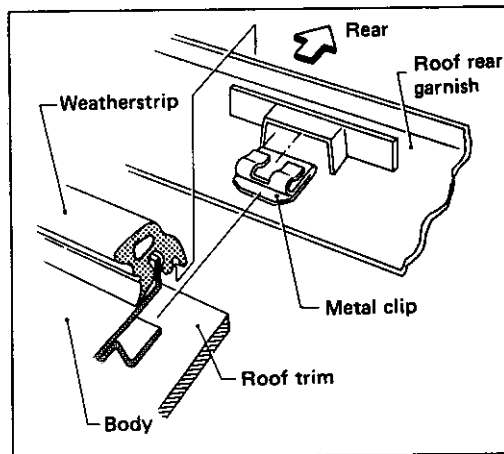
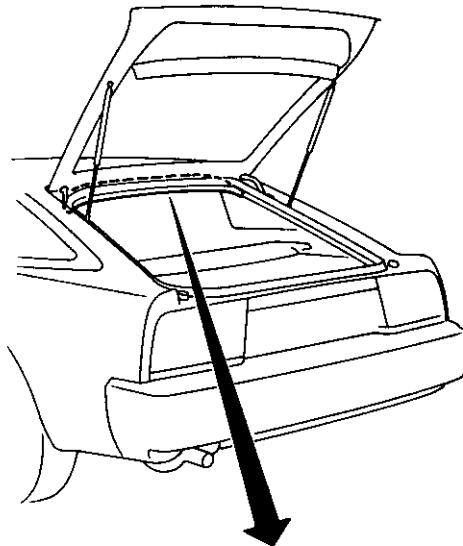
Inside Trim (Cont'd)

ROOF TRIM

Front portion



Rear portion

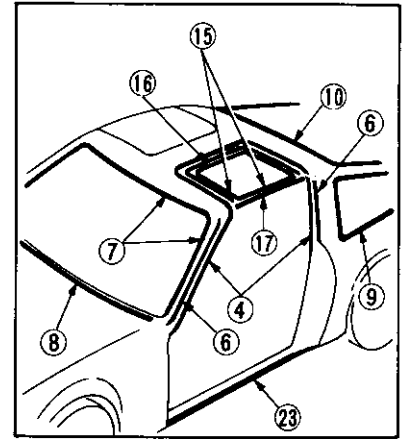
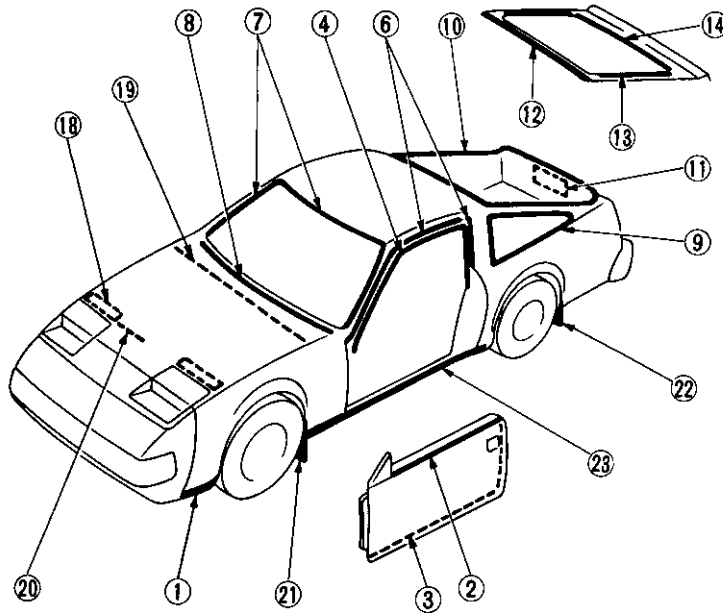


SBF591C

INTERIOR AND EXTERIOR

Exterior

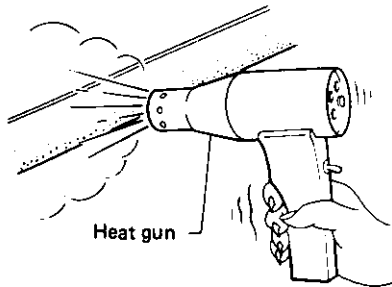
- Apply sealing compound where necessary while installing parts.
- When applying sealing compound, be careful that the sealing compound does not protrude from parts.



SBF482D

① Front side spoiler

- Front side spoiler is affixed to body panel with double-faced adhesive tape, clip and fastener.
 - Remove it only if it is necessary to do so.
 - Removal:
1. Heat molding portion to 25 to 35°C (77 to 95°F) with a heat gun.

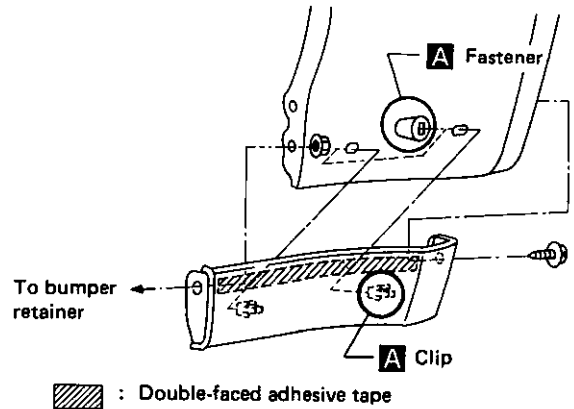


SBF455A

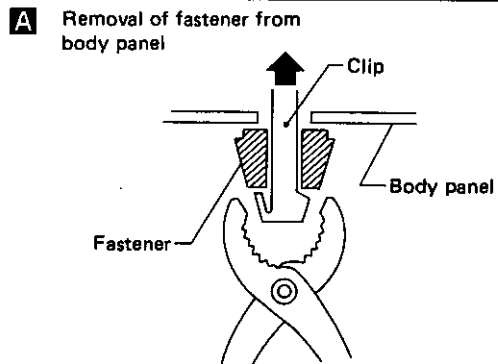
2. Raise end of molding and, while cutting off bonding agent, detach molding.

• Installation

1. Remove all traces of bonding agent from body panel. Then clean contact face of body.
2. Heat body panel and molding to 25 to 35°C (77 to 95°F) with a heat gun. Then install molding.



SBF483D

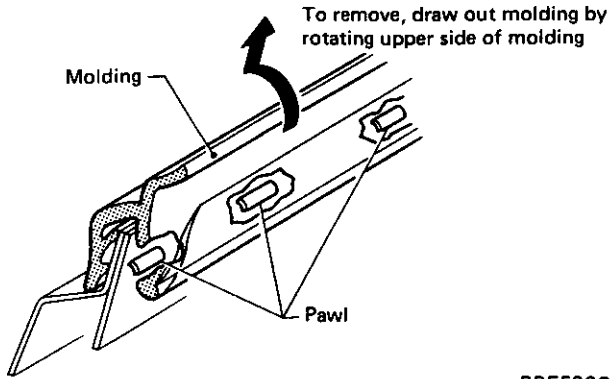


SBF484D

INTERIOR AND EXTERIOR

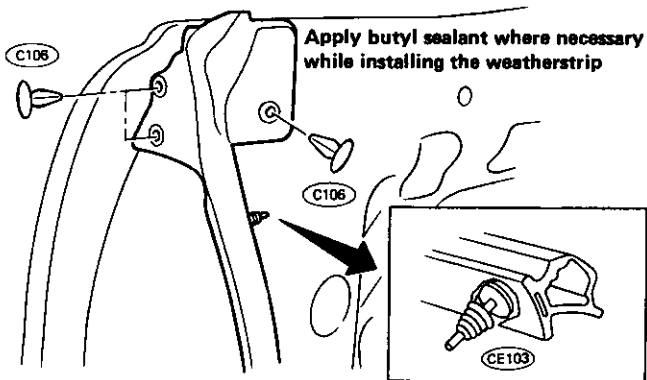
Exterior (Cont'd)

② Door molding



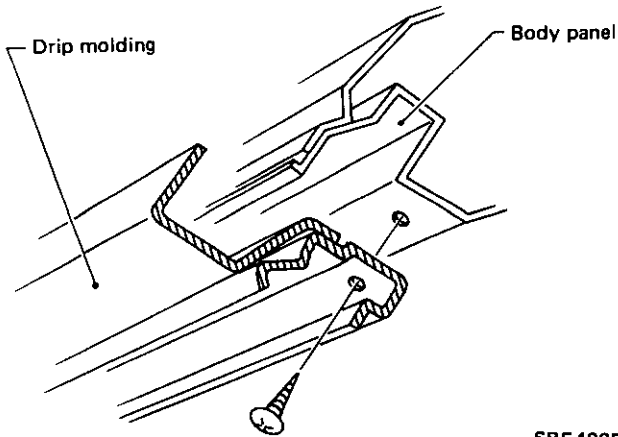
SBF593C

③, ④ Door weatherstrip and body side weatherstrip



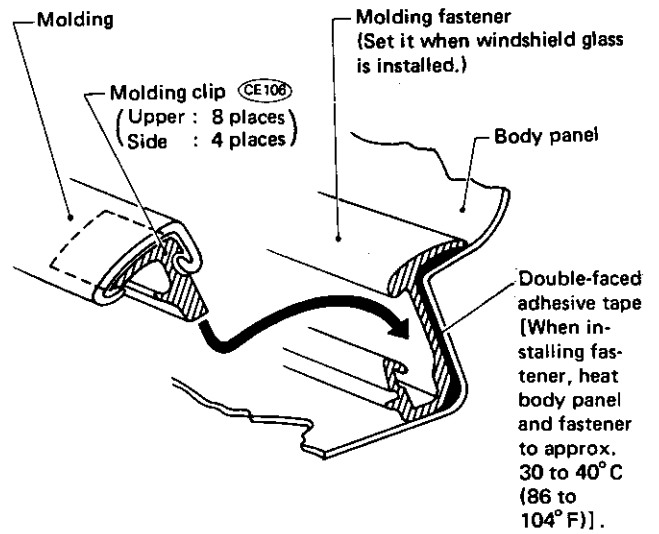
SBF398B

⑥ Drip molding



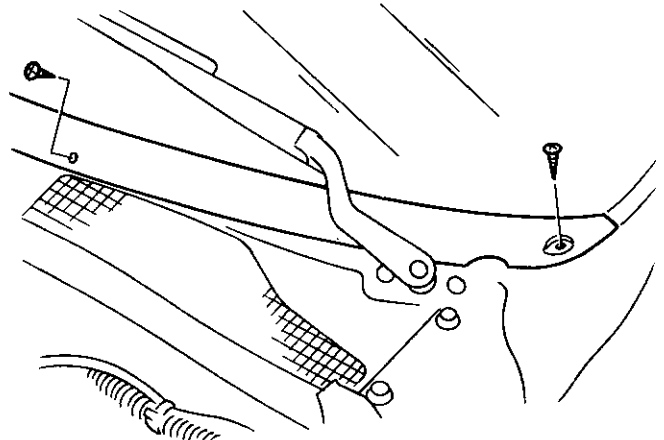
SBF400B

⑦ Windshield upper & side molding



SBF401B

⑧ Windshield lower molding



SBF402B

INTERIOR AND EXTERIOR

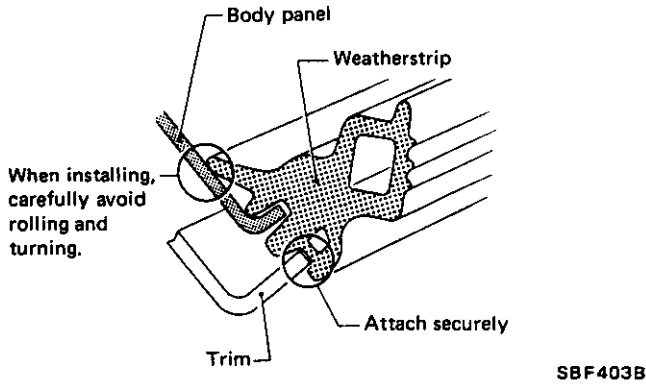
Exterior (Cont'd)

⑨ Side window molding

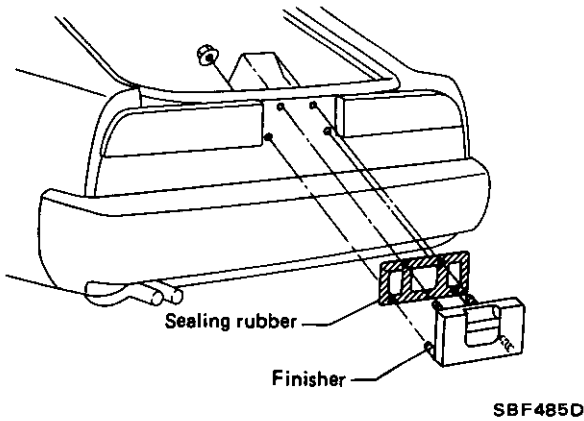
Refer to Side Window.

⑩ Back door weatherstrip

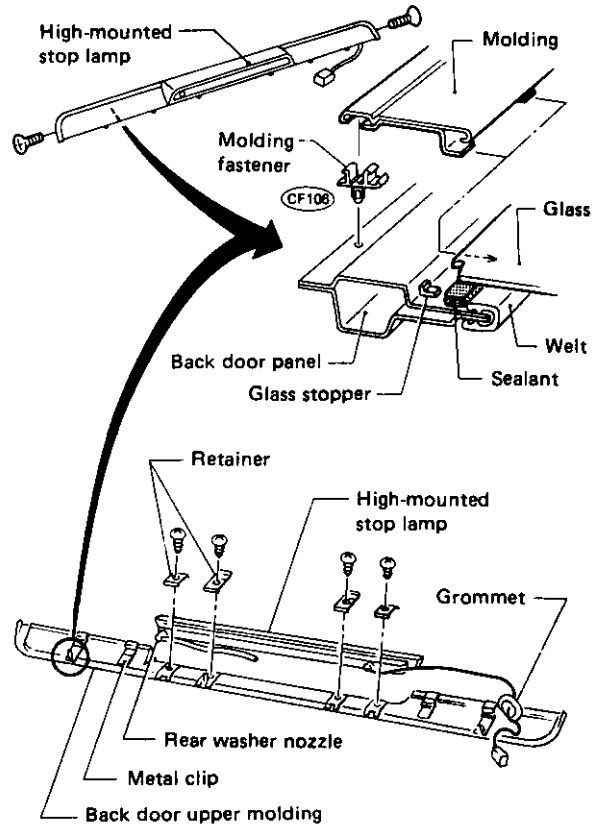
- Attach the weatherstrip by aligning each white marking with the center of each back door hinge.



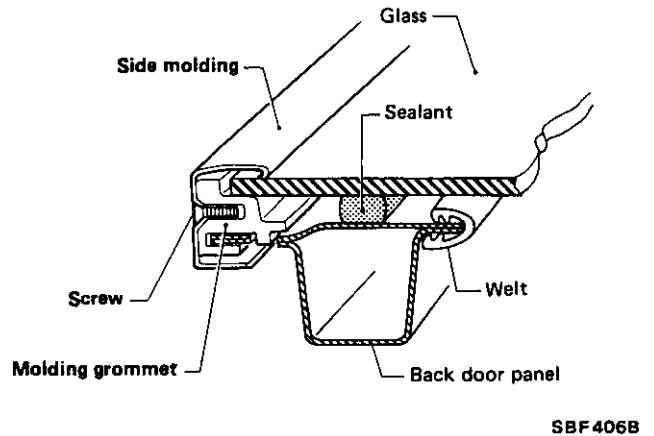
⑪ Rear panel outer finisher and back up lamp



⑫ Back door upper molding



⑬ Back door side molding

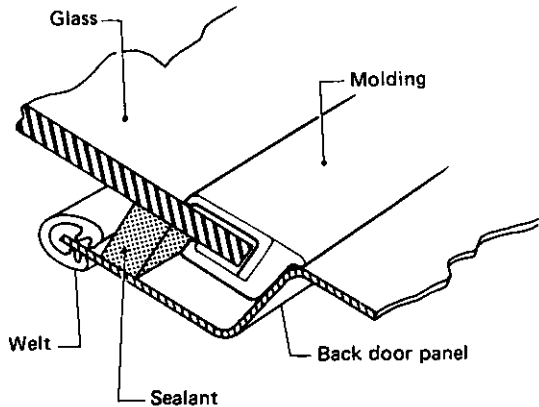


INTERIOR AND EXTERIOR

Exterior (Cont'd)

⑭ Back door lower molding

- Attach the molding to the glass before installing the glass.



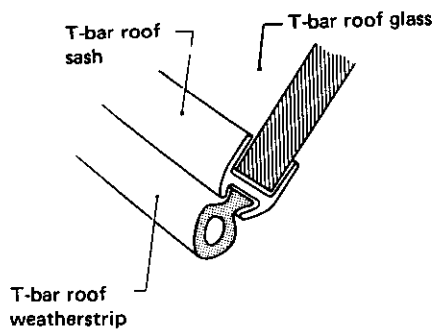
SBF407B

⑮ T-bar roof sash and T-bar roof side molding

They are part of the T-bar roof glass and cannot be removed. (Refer to T-bar Roof).

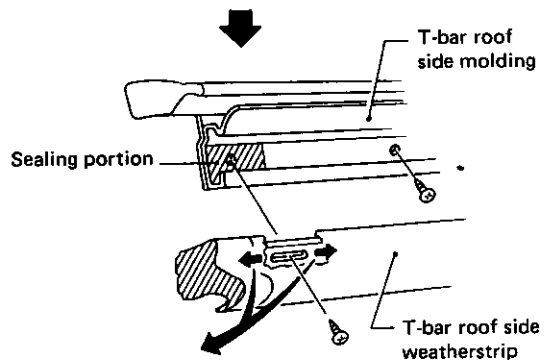
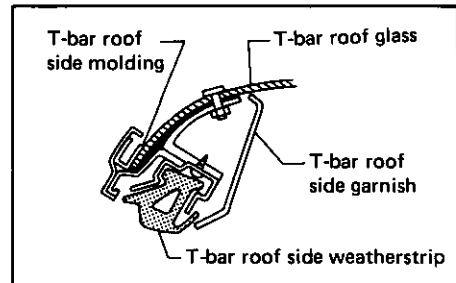
If they are damaged, you should replace entire T-bar roof glass assembly.

⑯ T-bar roof weatherstrip



SBF435B

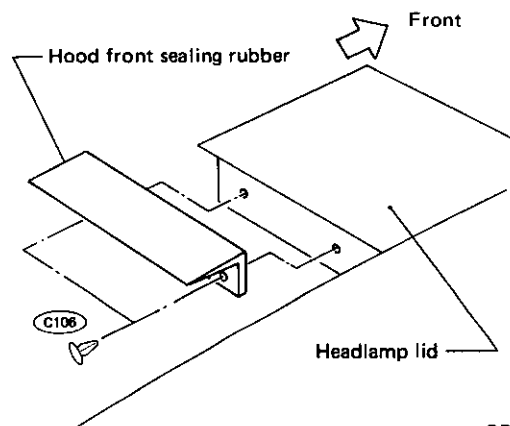
⑰ T-bar roof side weatherstrip



Always adjust if it is not sufficiently watertight.

SBF436B

⑱ Hood front sealing rubber

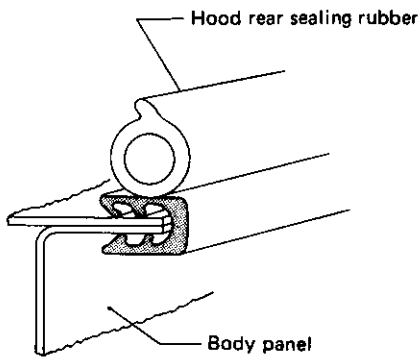


SBF597C

INTERIOR AND EXTERIOR

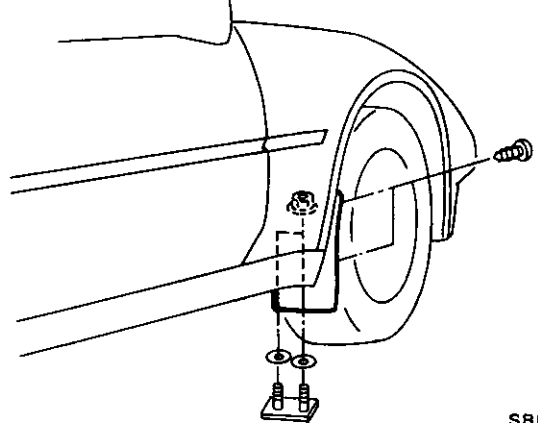
Exterior (Cont'd)

19 Hood rear sealing rubber



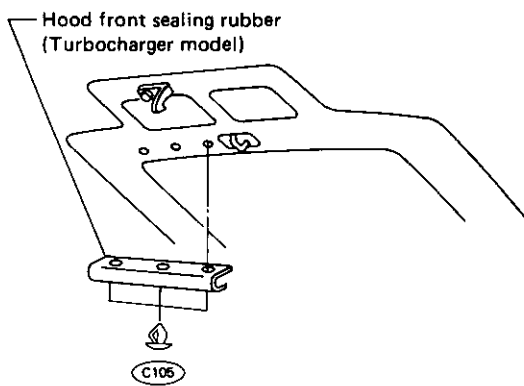
SBF598C

21 Front mud guard



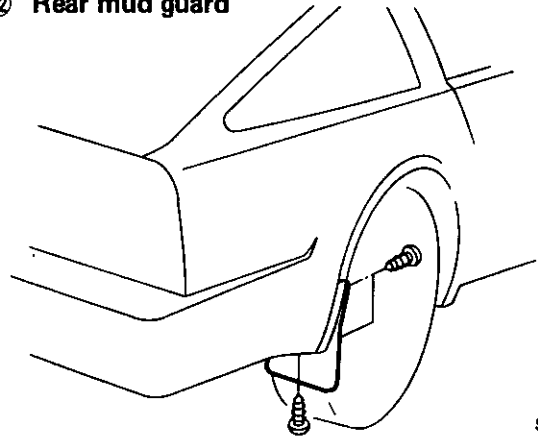
SBF492D

20 Hood front sealing rubber II (Turbocharger model)



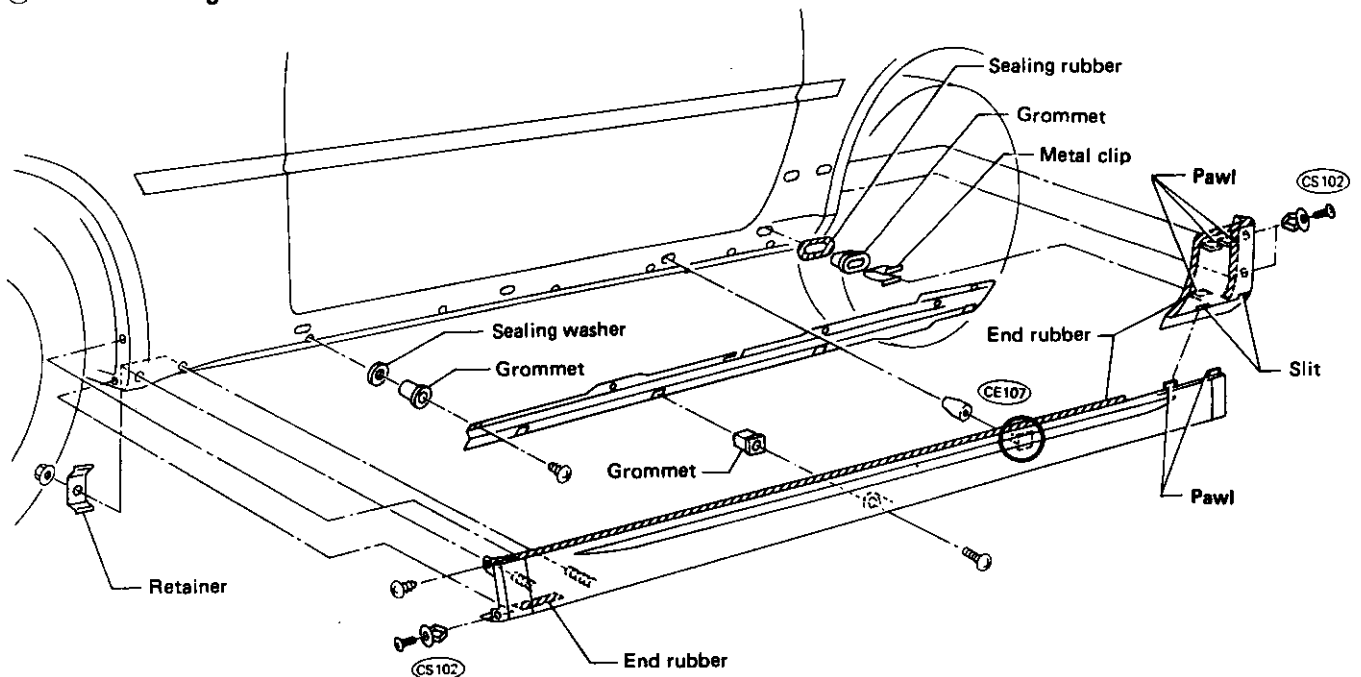
SBF487D

22 Rear mud guard



SBF493D

23 Center mud guard



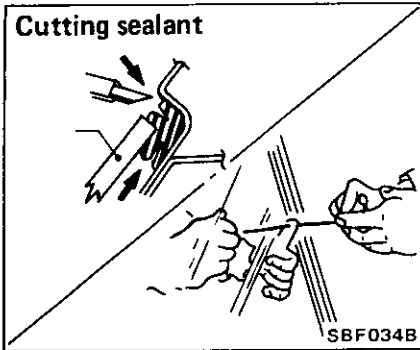
SBF488D

WINDSHIELD AND WINDOWS

Windshield

REMOVAL

After removing moldings, remove glass.



CAUTION:

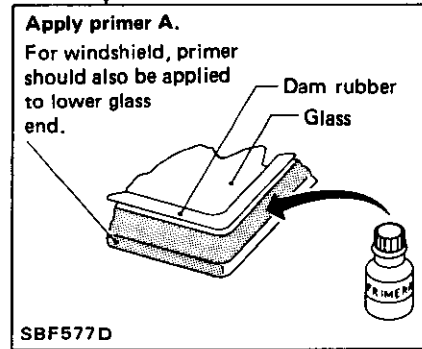
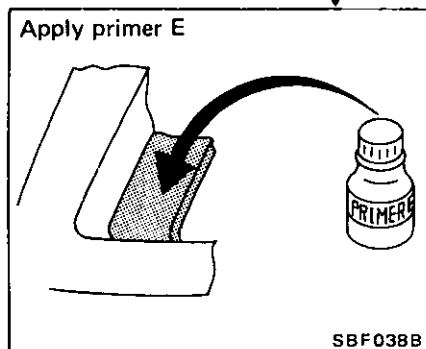
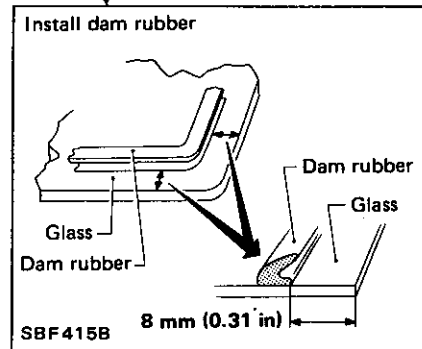
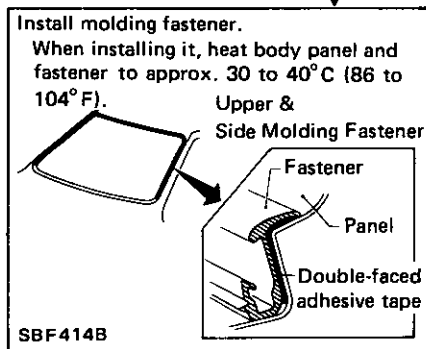
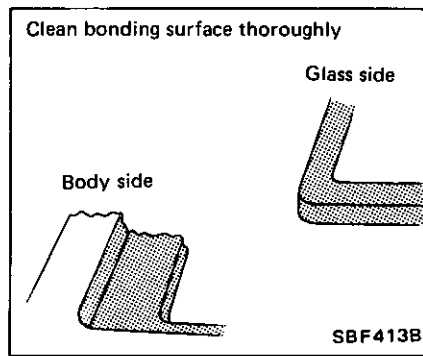
Be careful not to scratch glass when removing.

INSTALLATION

- Use genuine Nissan Sealant kit or equivalent. Follow instructions furnished with it.
- After installation, the vehicle should remain stationary for about 24 hours.
- Do not use sealant which is more than 12 months past its production date.
- Do not leave cartridge unattended with its cap open.
- Keep Primers and sealant in a cool, dry place. Ideally, sealant should be stored in a refrigerator.

WARNING:

Keep heat or open flames away as Primers are flammable.



CAUTION:

Allow Primers to dry for 10 to 15 minutes before proceeding to the next step.

A

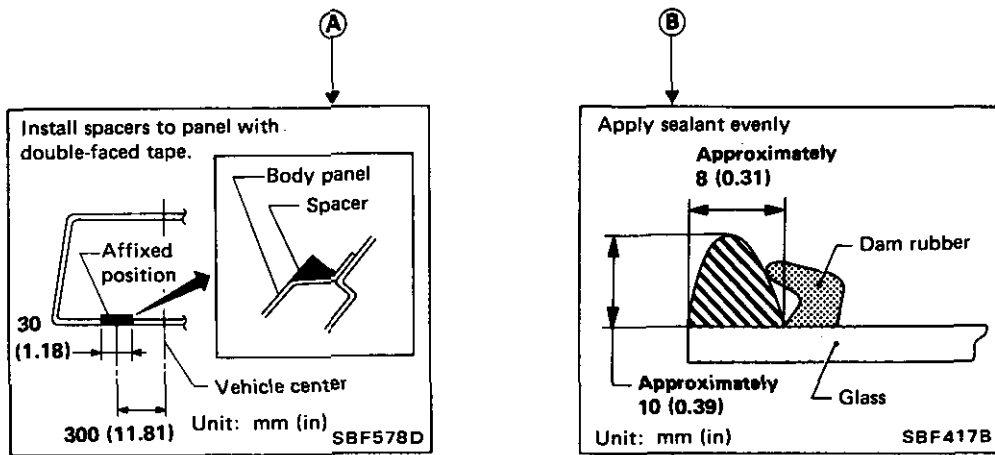
B

CAUTION:

Do not apply Primer A to windshield opening flanges.

WINDSHIELD AND WINDOWS

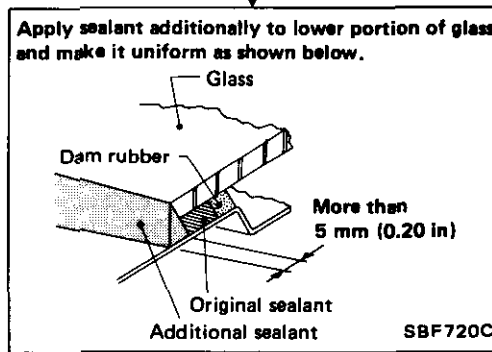
Windshield (Cont'd)



Set glass in position and press glass lightly and evenly.

CAUTION:

Windshield glass should be installed within 15 minutes of applying sealant: sealant starts to harden 15 minutes after it is applied.



Check for water leakage.

Set moldings.

Install molding.

Drying period of sealant

Reference: Period required for sealant to dry to desired hardness.

CAUTION:

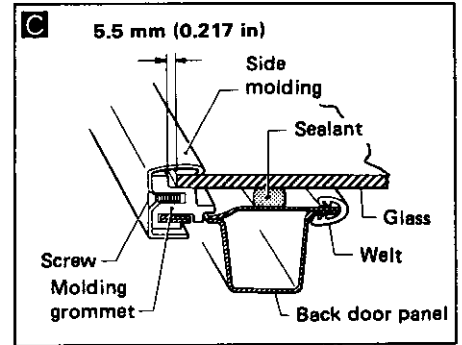
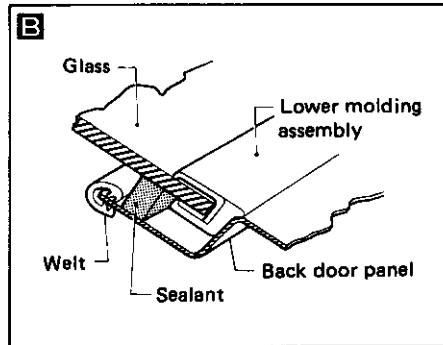
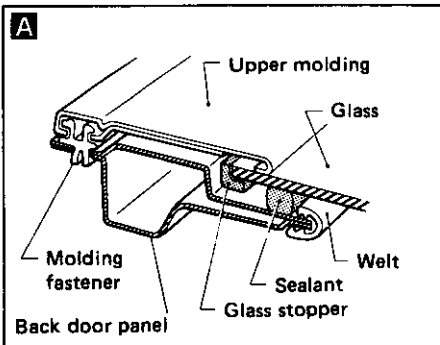
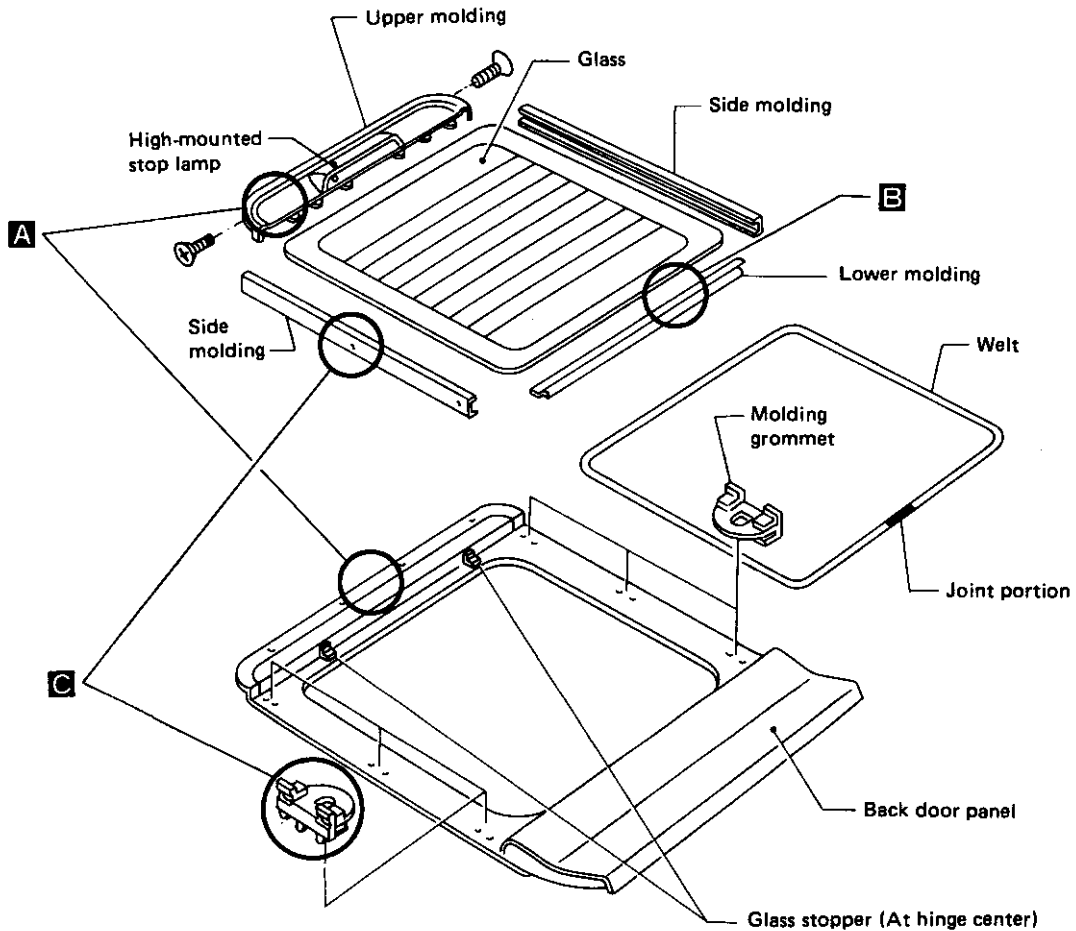
Advise the user of the fact that vehicle should not be driven on rough roads or surfaces until sealant has properly vulcanized.

Temperature °C (°F)	Relative humidity %			Unit: days
	90	50	25	
25 (77)	1.1	2.0	3.8	
5 (41)	2.4	6.5	10.4	

WINDSHIELD AND WINDOWS

Back Door Window

- Attach the lower molding to the glass before installing the glass.
- Attach the glass stopper (glass upper portion) and the side molding grommet to the panel before installing the glass.
- The remaining procedure for removal and installation is the same as that for the windshield.
- For sealant drying period, refer to DRYING PERIOD OF SEALANT.

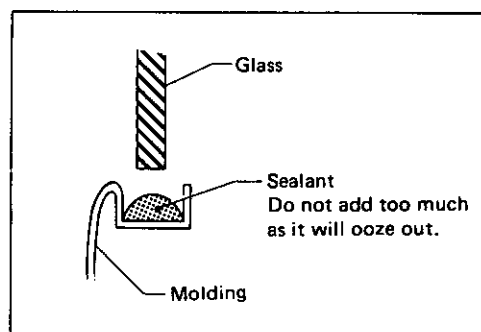
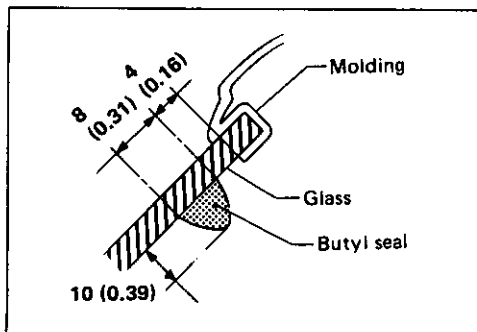
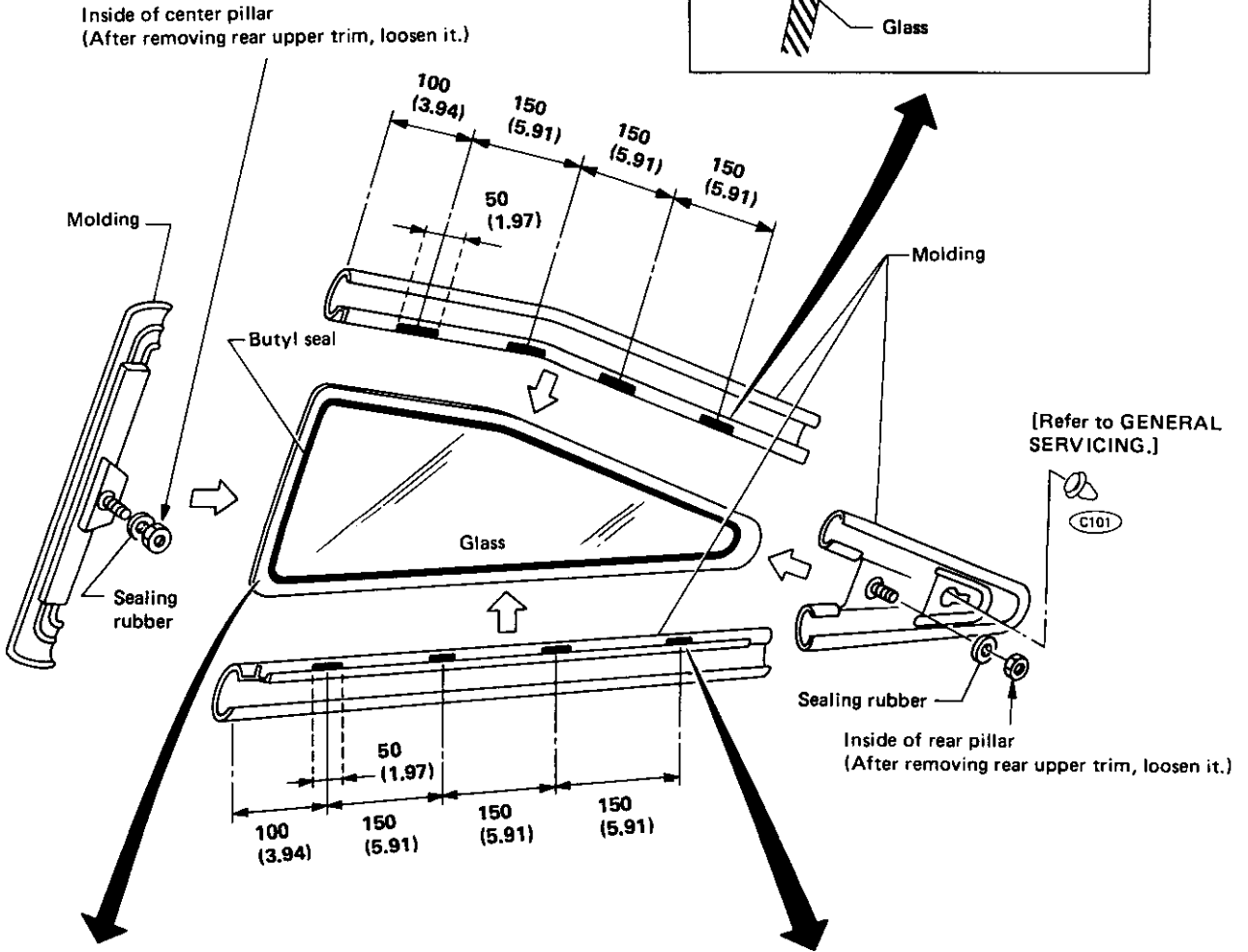
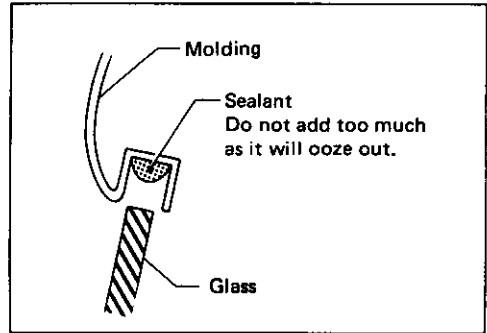


SBF489D

WINDSHIELD AND WINDOWS

Side Window

- When installing glass, assemble molding to glass, then install glass with butyl seal and nuts.



Unit: mm (in)

SBF490D

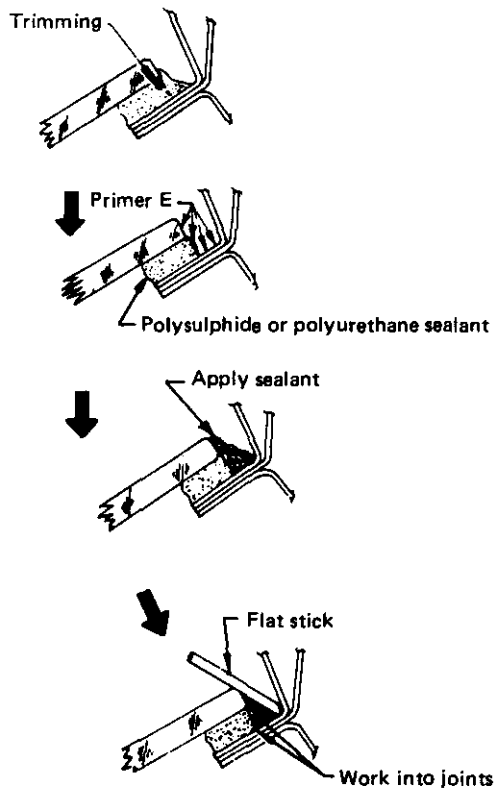
WINDSHIELD AND WINDOWS

Repairing Leaks

Leaks can be repaired without removing and re-installing glass.

If water is leaking between caulking material and body or between glass and caulking material, determine extent of leak by applying water while pushing glass outward.

To stop the leak apply Primer and then sealant to the leak point.

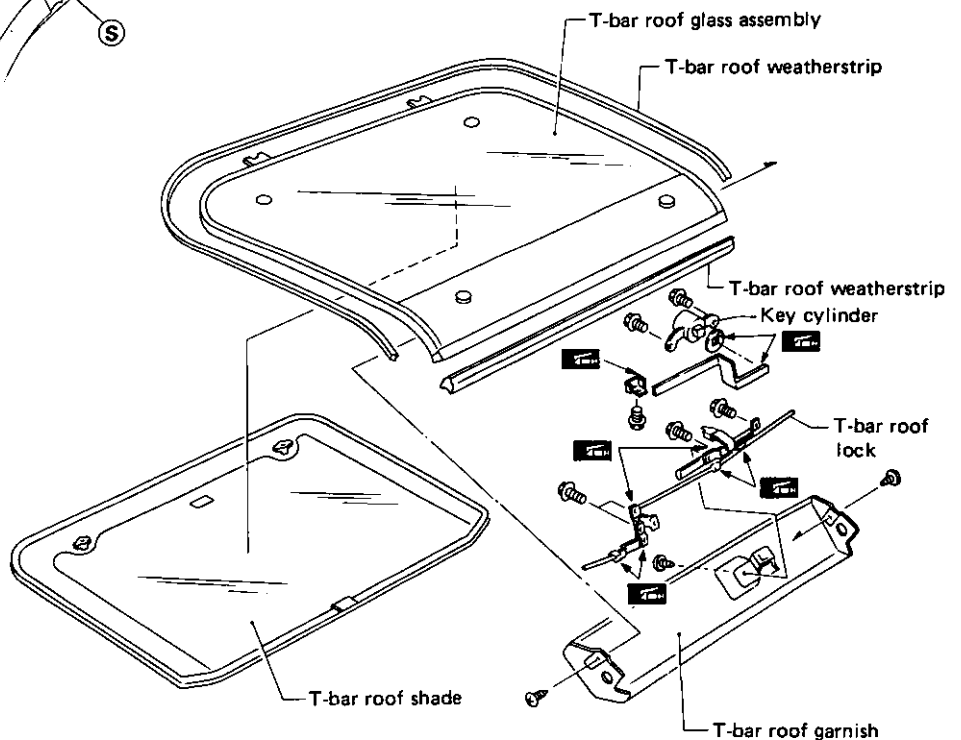
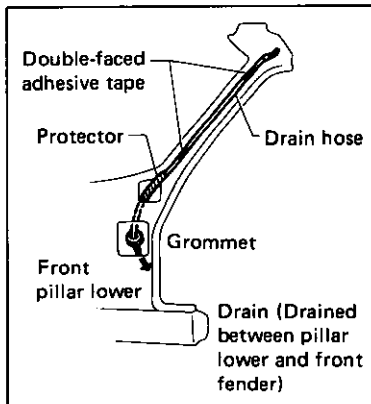
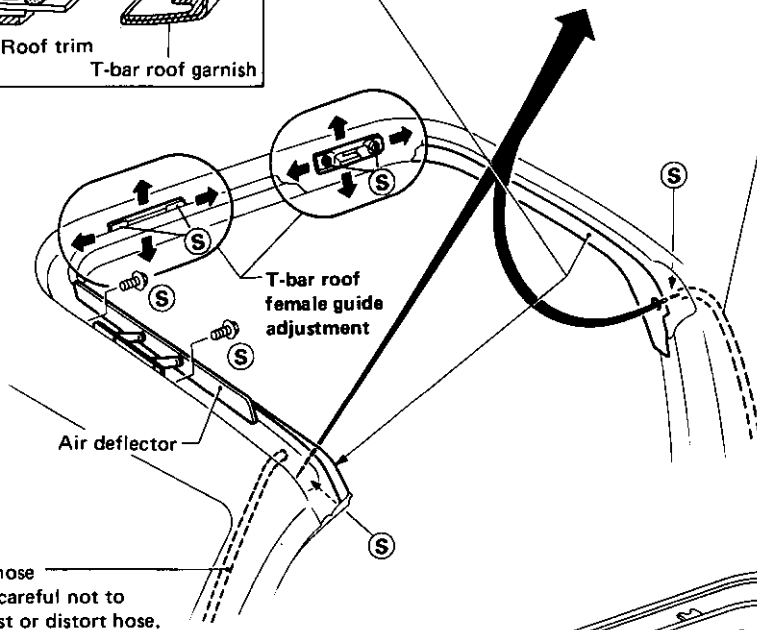
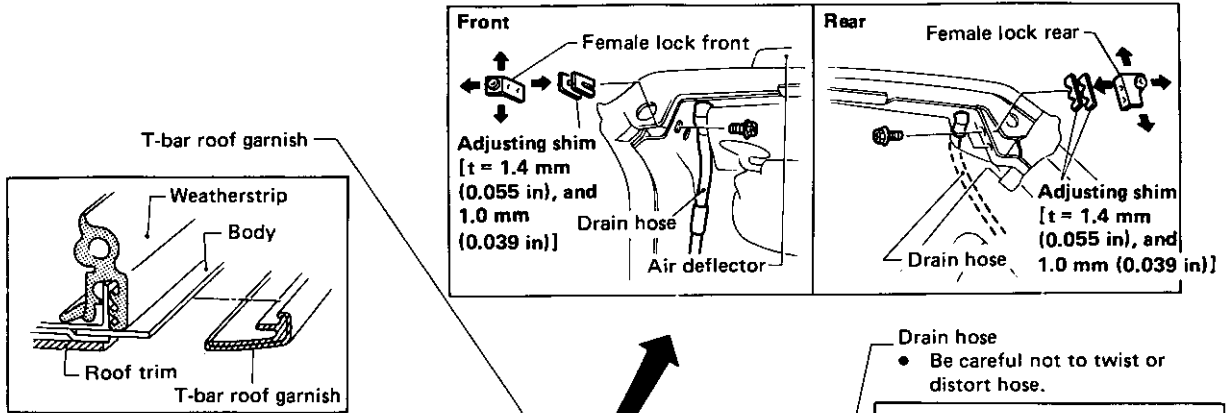


SBF182B

T-BAR ROOF

- Handle T-bar roof glass with care so not to damage it.
- Apply sealant to portions susceptible to water leakage if necessary.
- Side molding, sash, lock basement and glass of T-bar roof constitute one unit and cannot be disassembled.

T-bar roof female lock adjustment



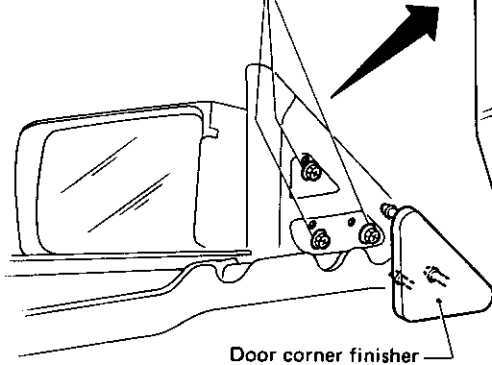
- Grease up point
- Ⓢ Sealant point

SBF601C

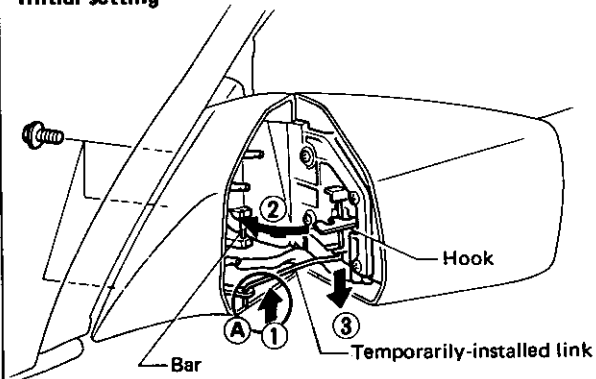
MIRROR

Door Mirror

2.9 - 3.8 N·m
(0.30 - 0.39 kg·m, 2.2 - 2.8 ft·lb)



Initial setting



Procedure

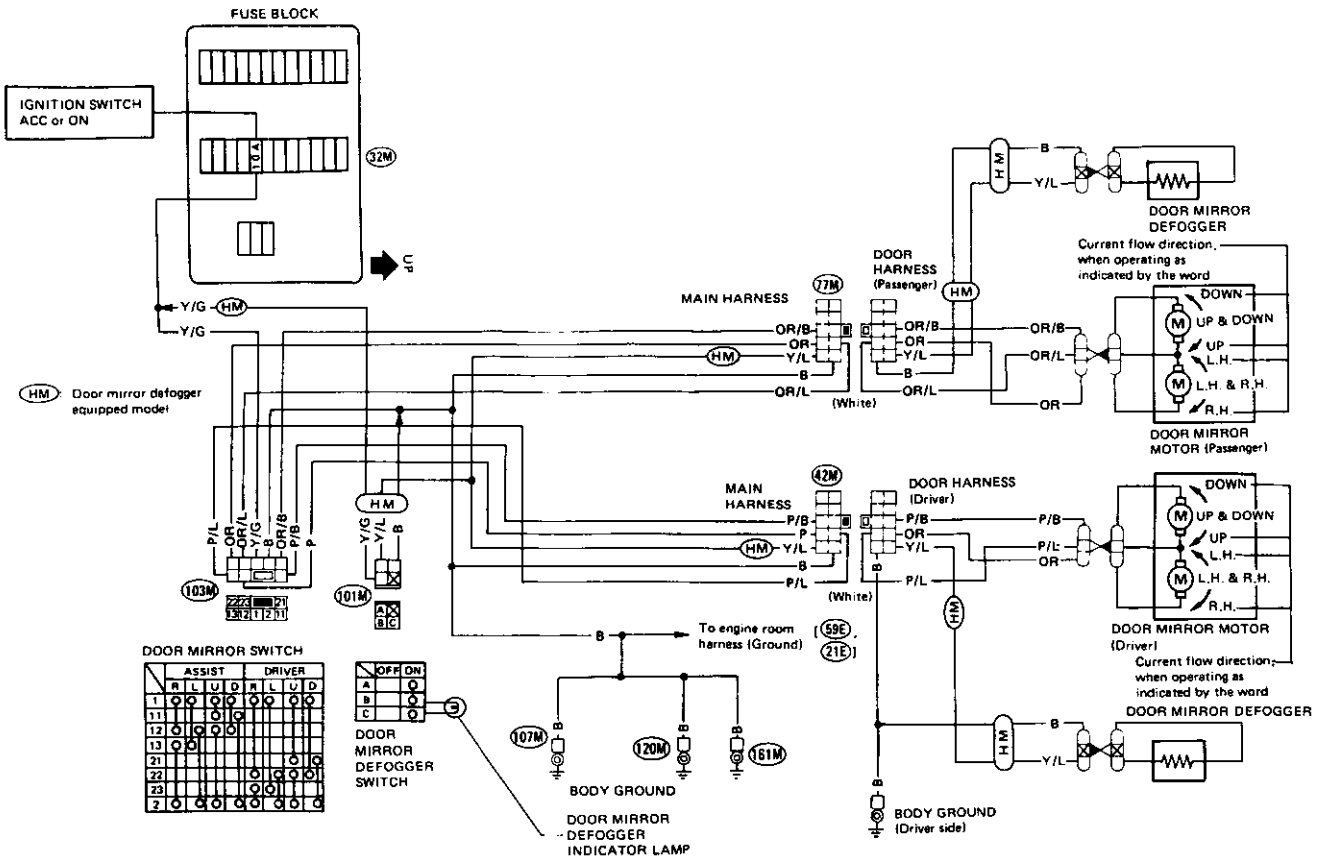
- ① After installing mirror base to door, remove portion **A** of temporarily-installed link.
- ② Hook the bar with the hook and make sure it is hooked securely.
- ③ Tilt mirror body backward and while holding mirror, remove temporarily-installed link.

CAUTION:

Never remove temporarily-installed link from mirror body, before hooking the bar with the hook.

SBF434B

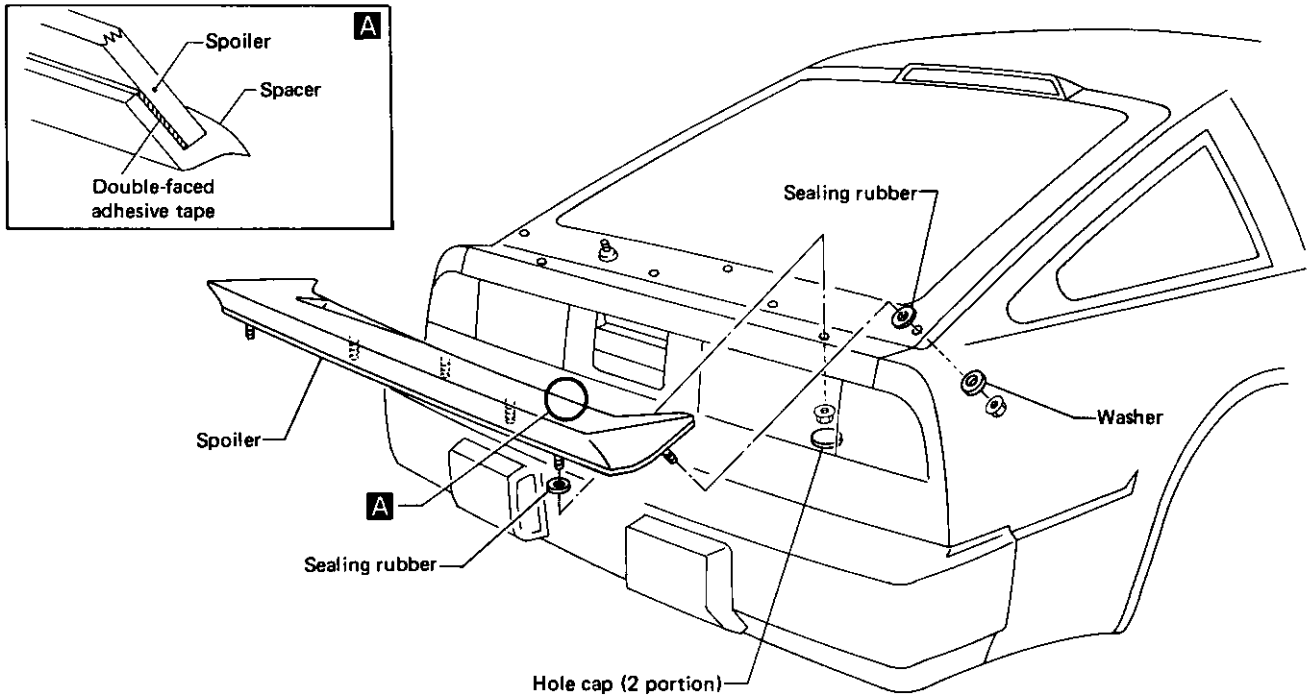
ELECTRICAL REMOTE CONTROL DOOR MIRROR/WIRING DIAGRAM



SBF792D

REAR AIR SPOILER

- When installing, make sure that there are no gaps or waves at ends of air spoiler.

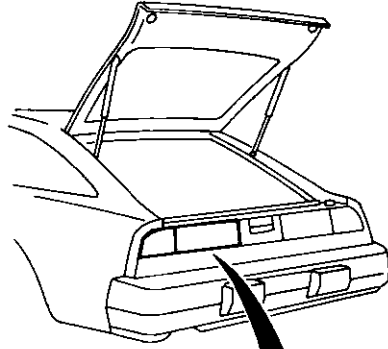


SBF838D

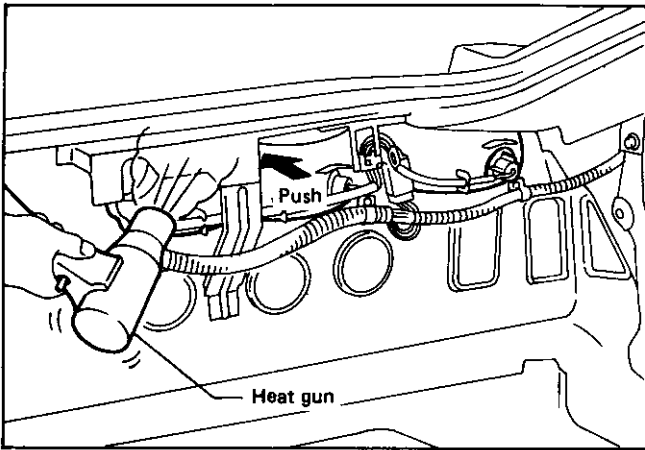
REAR COMBINATION LAMP

Removal and Installation

- Rear combination lamps are installed with nuts and butyl sealant.

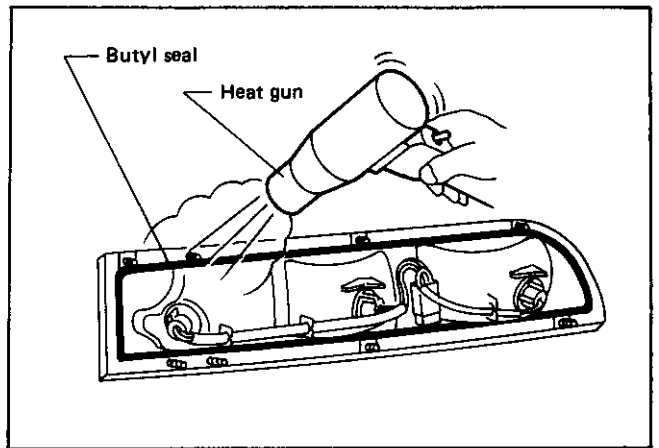


Removal



- Warm up lamp assembly area to a temperature of a little below 60°C (140°F).

Installation



- Warm up lamp assembly area to a temperature of a little below 60°C (140°F).
- Apply butyl seal evenly as it tends to become thin in the corners.

SBF491D

BODY ALIGNMENT

- All dimensions indicated in figures are actual ones.
- When a tram tracking gauge is used, adjust both pointers to equal length and check the pointers and gauge itself to make sure there is no free play.
- When a measuring tape is used, check to be sure there is no elongation, twisting or bending.
- Measurements should be taken at the center of the mounting holes.
- An asterisk (*) following the value at the measuring point indicates that the measuring point on the other side is symmetrically the same value.
- Measurement points

The coordinates of the measurement points are the distances measured from the respective dimension lines in the directions of "x", "y" and "z".

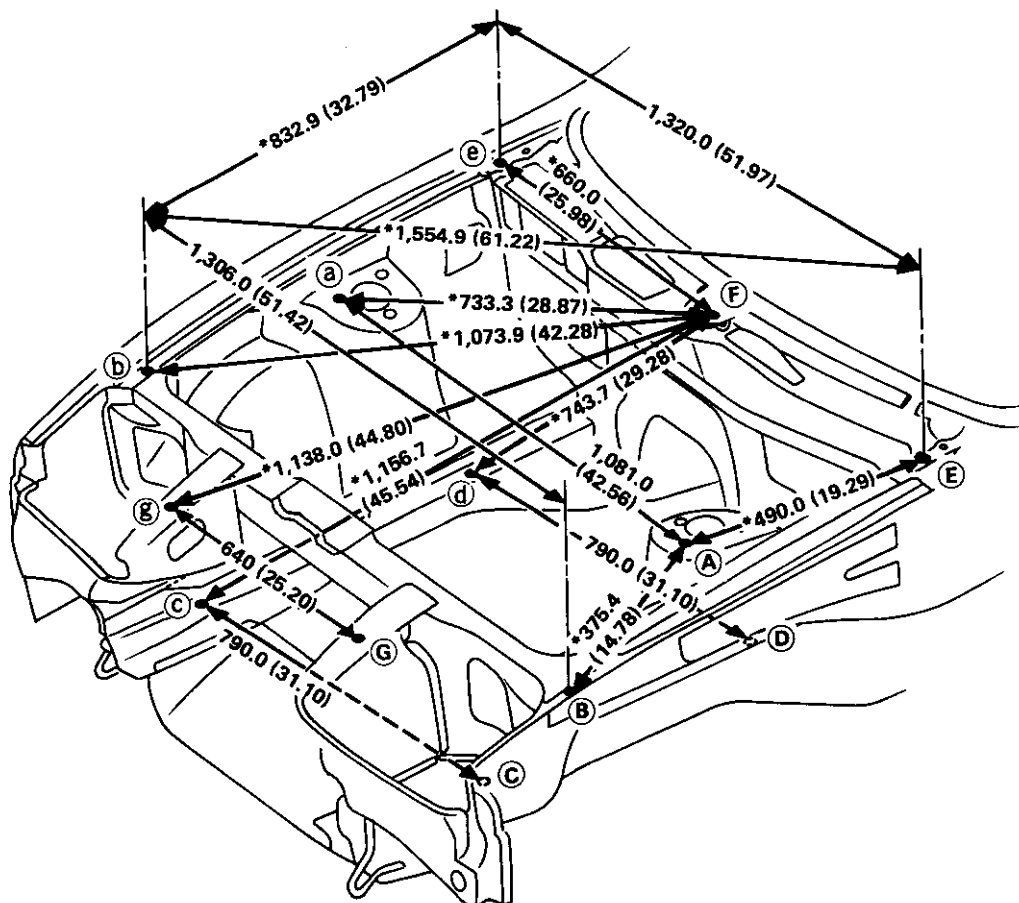
Dimension lines: "x" line – Center line of vehicle

"y" line – Center line of front axle (Any measurement point in front of the dimension line refers to a minus "-" value.)

"z" line – Datum line (Any measurement point under the dimension line refers to a minus "-" value.)

Engine Compartment

MEASUREMENT



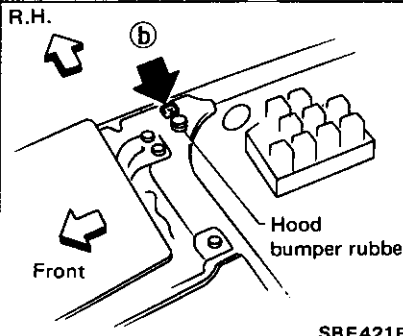
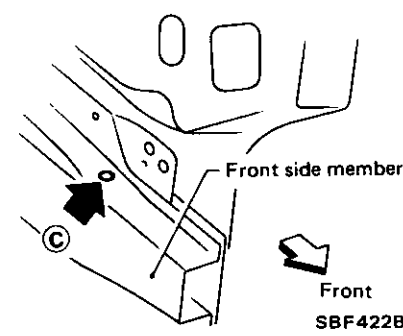
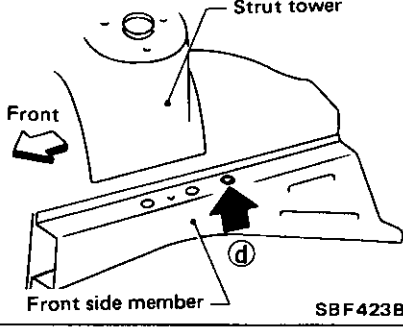
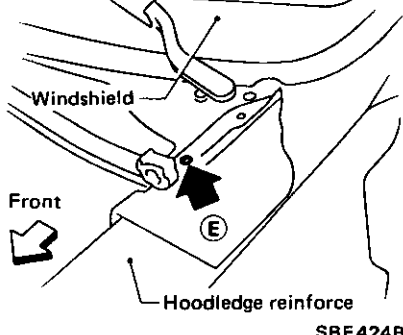
Unit: mm (in)

SBF420B

BODY ALIGNMENT

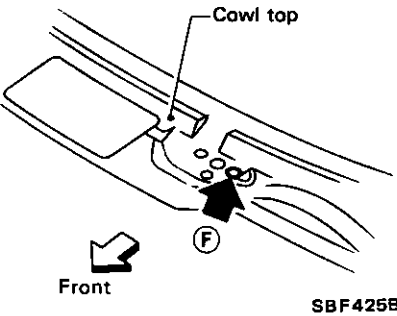
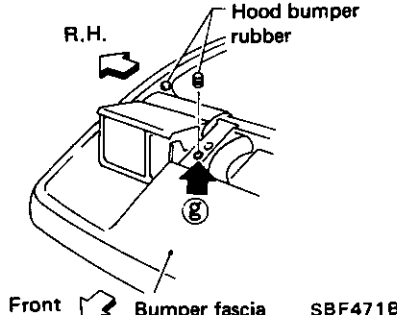
Engine Compartment (Cont'd)

MEASUREMENT POINTS

Points	Hole dia. mm (in)	Detailed points	Coordinates mm (in)		
			"x"	"y"	"z"
(A) (a)	12 (0.47)	Hole for front suspension upper mounting (Outside front hole)	540.5 (21.28)	26.8 (1.055)	919.0 (36.18)
(B) (b)	9 (0.35)	 <p>Hole for fixing front fender</p>	653.0 (25.71)	-325.0 (-12.80)	852.0 (33.54)
(C) (c)	5.4 (0.213)	 <p>Hole for fixing harness clip at upperside of front side member</p>	395.0 (15.55)	-460.0 (-18.11)	490.0 (19.29)
(D) (d)	8 (0.31)	 <p>Hole for fixing harness clip at upperside of front side member</p>	395.0 (15.55)	100.0 (3.94)	490.0 (19.29)
(E) (e)	11 (0.43)	 <p>Hole for mounting hood hinge</p>	660.0 (25.98)	500.0 (19.69)	966.0 (38.03)

BODY ALIGNMENT

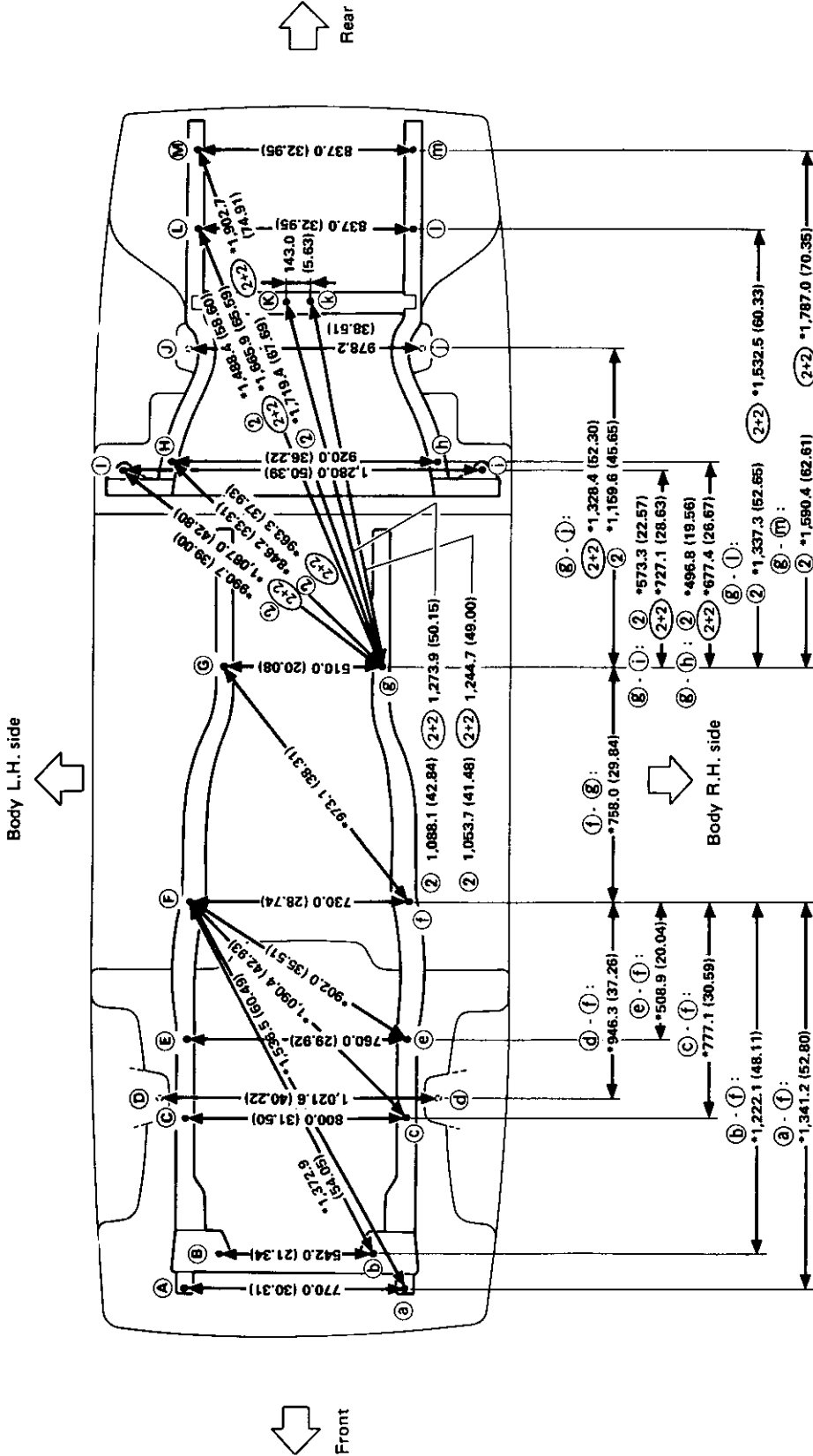
Engine Compartment (Cont'd)

Points	Hole dia. mm (in)	Detailed points	Coordinates mm (in)		
			"X"	"Y"	"Z"
Ⓕ	7 (0.28)	 <p>Cowl top</p> <p>Hole for mounting wiper pivot</p> <p>Front</p> <p>SBF425B</p>	0.0 (0.00)	520.8 (20.50)	959.0 (37.76)
Ⓖ Ⓖ	16 (0.63)	 <p>R.H.</p> <p>Hood bumper rubber</p> <p>Hole for mounting hood bumper rubber on headlamp side housing</p> <p>Front</p> <p>Bumper fascia</p> <p>SBF471B</p>	320.0 (12.60)	-556.5 (-21.91)	779.0 (30.67)

BODY ALIGNMENT

Underbody

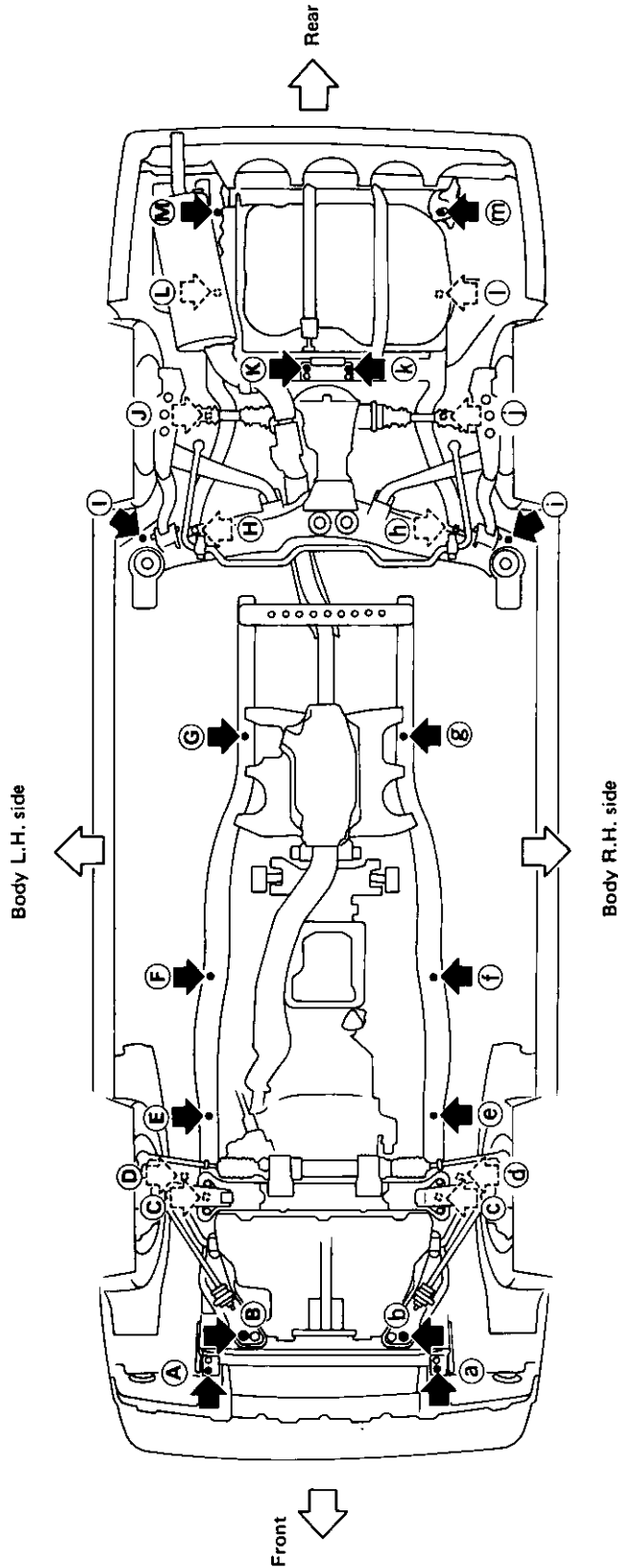
MEASUREMENT



BODY ALIGNMENT

Underbody (Cont'd)

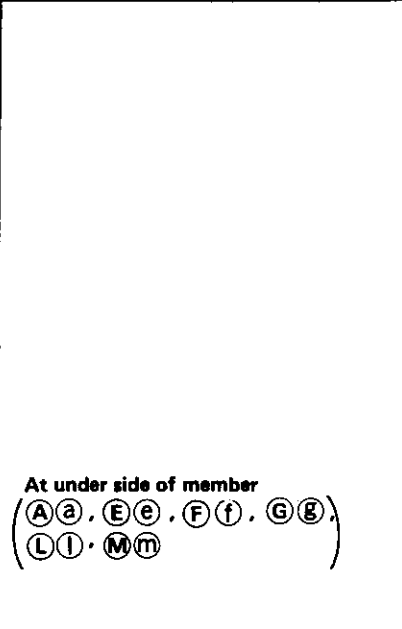
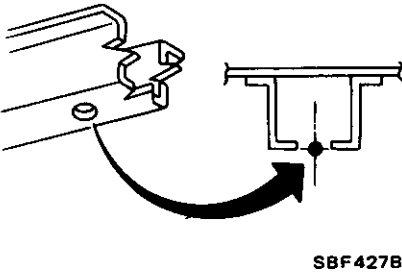
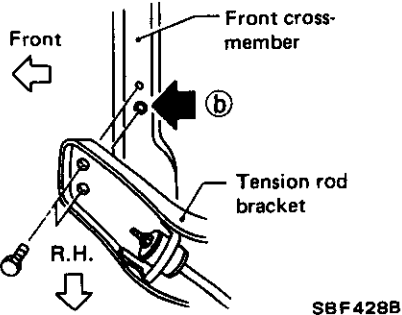
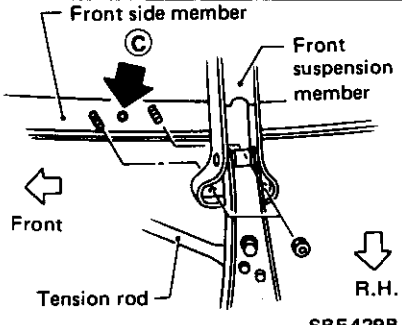
MEASUREMENT POINTS



SBF433B

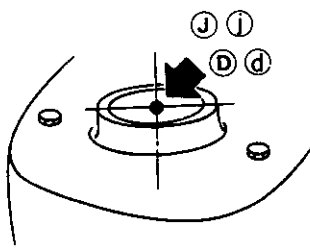
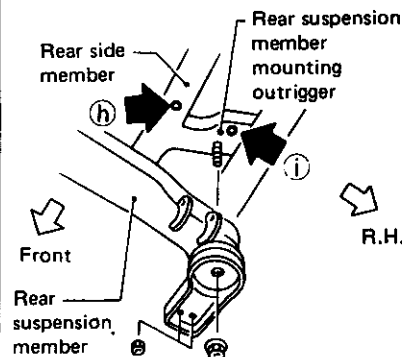
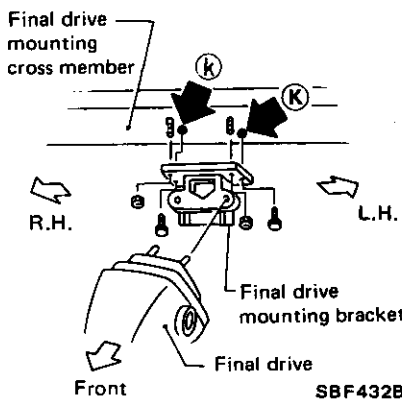
BODY ALIGNMENT

Underbody (Cont'd)

Points	Hole dia. mm (in)	Detailed points	Coordinates mm (in)			
			"x"	"y"	"z"	
(A) (a)	13 (0.51)	 <p>At under side of member (A a, E e, F f, G g) (L l, M m)</p>	Hole for front air spoiler mounting	385.0 (15.16)	-585.0 (-23.03)	388.0 (15.28)
(E) (e)	15 (0.59)		Hole for water drainage	380.0 (14.96)	251.5 (9.90)	361.6 (14.24)
(F) (f)	18 (0.71)		Hole for locating	365.0 (14.37)	750.0 (29.53)	260.5 (10.26)
(G) (g)	13 (0.51)			255.0 (10.04)	1,500.0 (59.06)	261.0 (10.28)
(L) (l)	13 (0.51)	 <p>SBF 427B</p>	Hole for rear bumper mounting	418.5 (16.48)	2 seater model 2,800.0 (110.24)	528.8 (20.82)
(M) (m)	15 (0.59)				2+2 seater model 3,000.0 (118.11)	
(B) (b)	13 (0.51)	 <p>SBF 428B</p>	Hole for mounting tension rod bracket on underside of front crossmember	271.0 (10.67)	-465.0 (-18.31)	325.5 (12.81)
(C) (c)	16 (0.63)	 <p>SBF 429B</p>	Hole for locating on front suspension member mounting portion (Underside of front side member)	400.0 (15.75)	-10.0 (-0.394)	422.0 (16.61)

BODY ALIGNMENT

Underbody (Cont'd)

Points	Hole dia. mm (in)	Detailed points	Coordinates mm (in)			
			"x"	"y"	"z"	
Ⓓ Ⓓ	82.3 (3.240)		Front suspension upper mounting	510.8 (20.11)	80.0 (3.150)	912.6 (35.93)
Ⓙ Ⓚ	54 (2.13)		Rear suspension shock absorber upper mounting	489.1 (19.26)	2 seater model 2,450.2 (96.46) 2+2 seater model 2,650.2 (104.34)	883.0 (34.76)
Ⓕ Ⓕ	15 (0.59)		Hole for locating on underside of member	460.0 (18.11)	2 seater model 1,930.0 (75.98) 2+2 seater model 2,130.0 (83.86)	402.0 (15.83)
Ⓛ Ⓛ	13 (0.51)			640.0 (25.20)	2 seater model 1,900.0 (74.80) 2+2 seater model 2,100.0 (82.68)	404.0 (15.91)
Ⓚ	15 (0.59)		Hole for mounting final drive on underside of final drive mounting crossmember	74.0 (2.913)	2 seater model 2,497.5 (98.33) 2+2 seater model 2,697.5 (106.20)	545.0 (21.46)
Ⓚ				69.0 (2.717)	2 seater model 2,497.5 (98.33) 2+2 seater model 2,697.5 (106.20)	545.0 (21.46)