

# FRONT AXLE & FRONT SUSPENSION

## SECTION **FA**

### CONTENTS

|  |       |
|--|-------|
| FRONT AXLE AND FRONT SUSPENSION .....                      | FA- 2 |
| FRONT AXLE – Wheel Hub .....                               | FA- 3 |
| FRONT SUSPENSION .....                                     | FA- 6 |
| FRONT SUSPENSION – Spring and Strut Assembly .....         | FA- 7 |
| FRONT SUSPENSION – Tension Rod and Stabilizer Bar .....    | FA-11 |
| FRONT SUSPENSION – Transverse Link .....                   | FA-12 |
| FRONT SUSPENSION – Suspension Crossmember .....            | FA-14 |
| ADJUSTABLE SHOCK ABSORBER (Including wiring diagram) ..... | FA-15 |
| SERVICE DATA AND SPECIFICATIONS (S.D.S.) .....             | FA-24 |
| SPECIAL SERVICE TOOLS .....                                | FA-26 |

**When you read wiring diagrams:**

- Read GI section, "HOW TO READ WIRING DIAGRAMS".
- See EL section, "POWER SUPPLY ROUTING" for power distribution circuit.

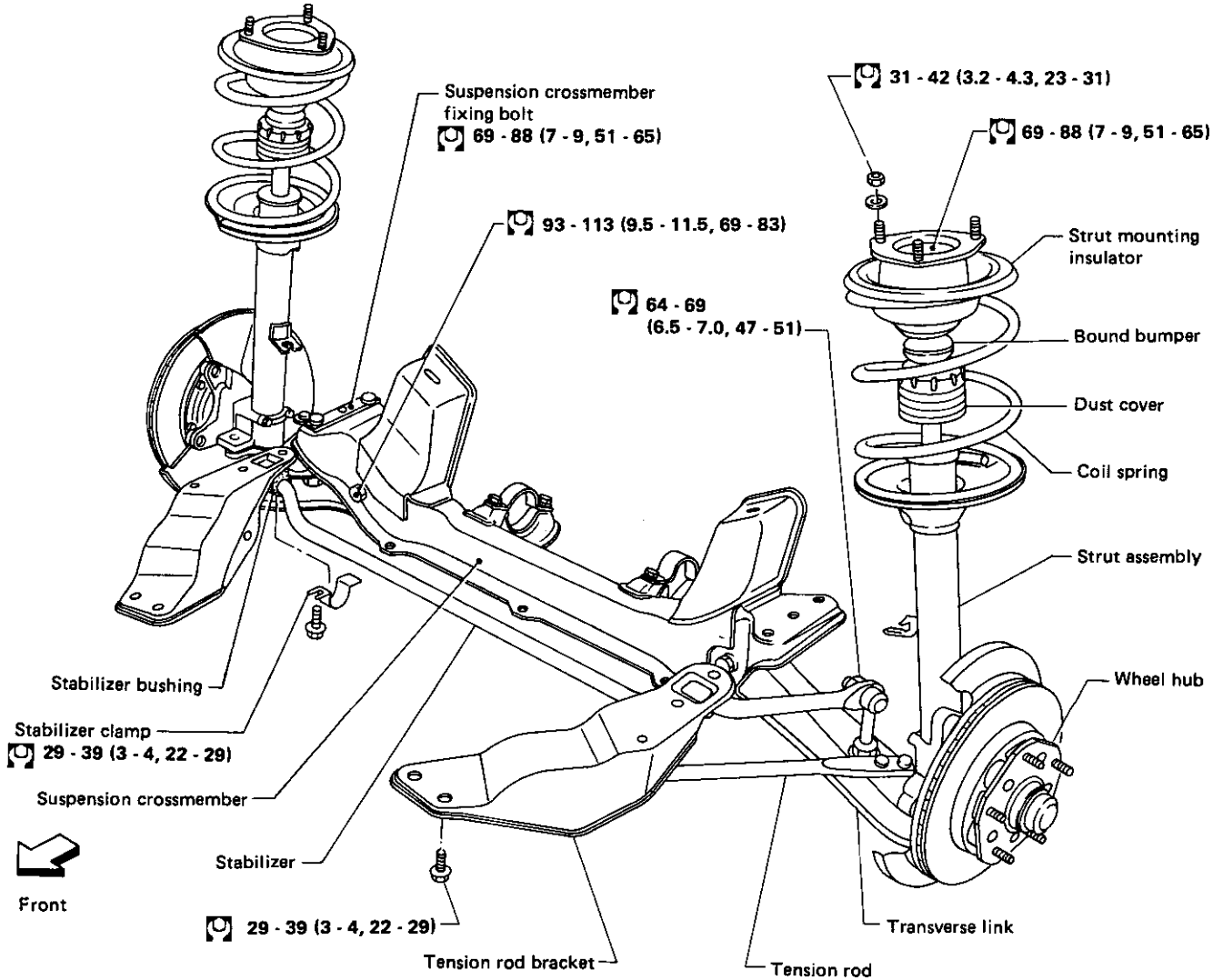
**FA**

# FRONT AXLE AND FRONT SUSPENSION

## Wheel alignment

- Camber, caster and kingpin inclination are preset at factory and cannot be adjusted.
- The vehicle requires only toe-in adjustment.  
1 - 3 mm (0.04 - 0.12 in)  
6' - 17' (Total toe-in)

Refer to section MA for Checking Wheel Alignment.



## Wheel bearing

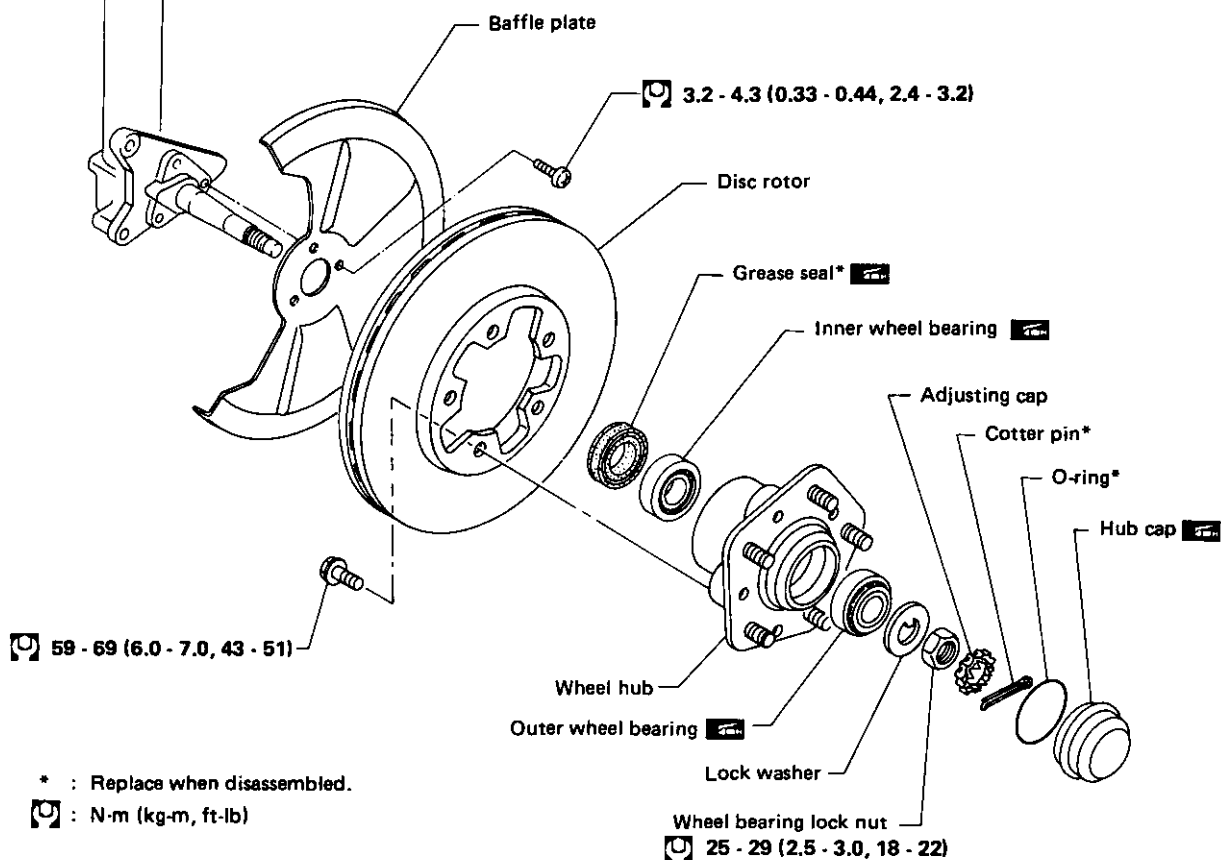
- Do not overtighten wheel bearing nut, as this can cause wheel bearing seizure.
- Axial play: 0 mm (0 in)
- Tightening torque 25 - 29 N·m (2.5 - 3.0 kg·m, 18 - 22 ft·lb)
- Return angle 60°
- Rotation starting torque
  - with new grease seal 0.39 - 0.83 N·m (4.0 - 8.5 kg·cm, 3.5 - 7.4 in·lb)
  - with used grease seal 0.10 - 0.44 N·m (1.0 - 4.5 kg·cm, 0.87 - 3.91 in·lb)
- As measured at wheel hub bolt
  - with new grease seal 6.86 - 14.61 N (0.70 - 1.49 kg, 1.54 - 3.29 lb)
  - with used grease seal 1.67 - 7.75 N (0.17 - 0.79 kg, 0.37 - 1.74 lb)
- When measuring starting torque, do not include "dragging" resistance with brake pads.

: N·m (kg·m, ft·lb)

SFA236A

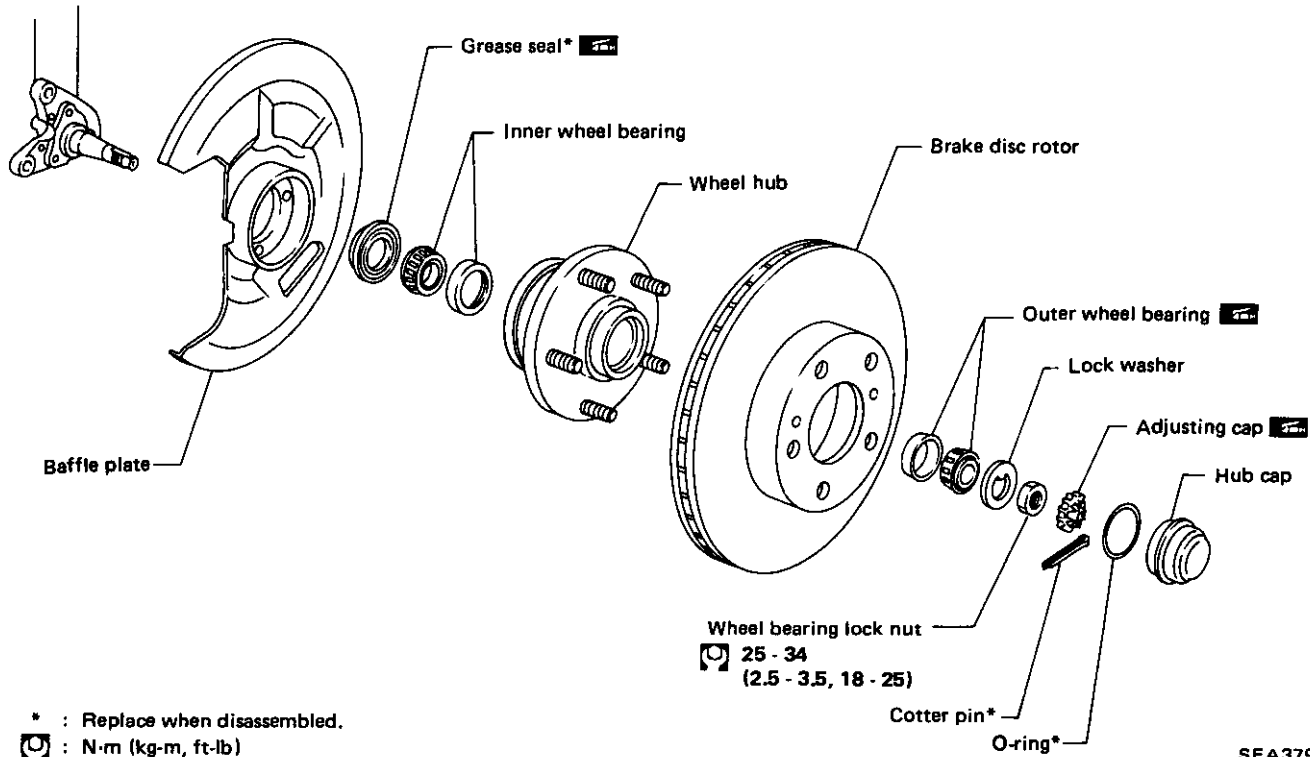
# FRONT AXLE — Wheel Hub

## VG30E ENGINE MODEL



SFA974

## VG30ET ENGINE MODEL



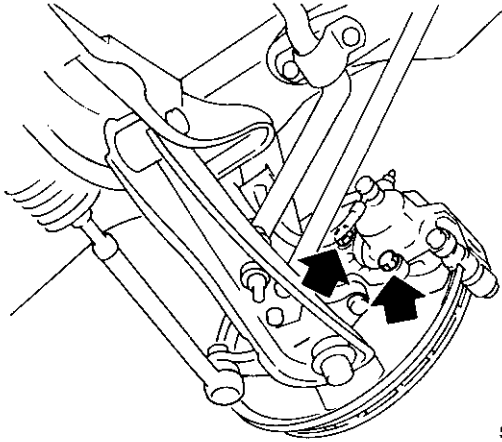
SFA379A

# FRONT AXLE — Wheel Hub

## Removal

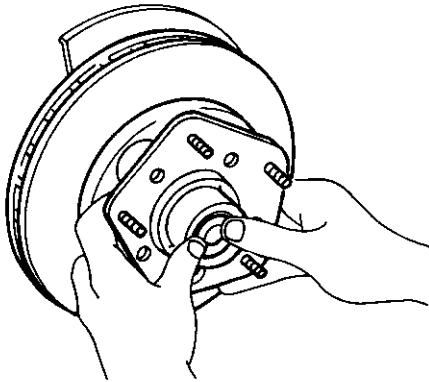
1. Remove brake caliper assembly.

Brake hose does not need to be disconnected from brake caliper assembly.



SFA567

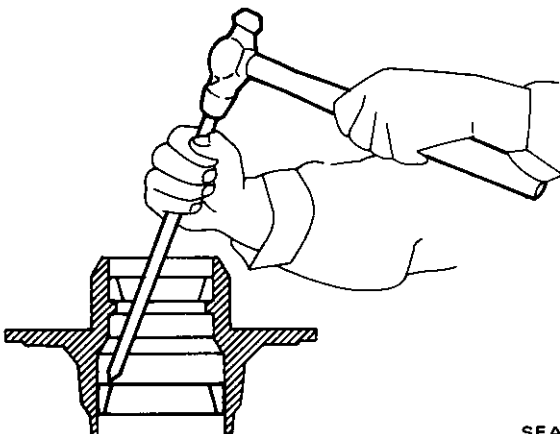
2. Remove wheel hub with disc brake rotor and wheel bearing from spindle.



SFA975

Be careful not to drop outer bearing.

3. If replacement of outer race is necessary, drive it out from hub with a brass drift and mallet.



SFA580

## Inspection

### WHEEL BEARING

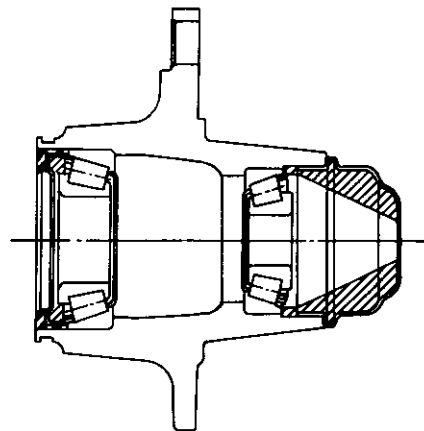
Make sure wheel bearing rolls freely and is free from noise, crack, pitting or wear.

### WHEEL HUB

Check wheel hub for cracks by using a magnetic exploration or dyeing test, and replace if cracked.

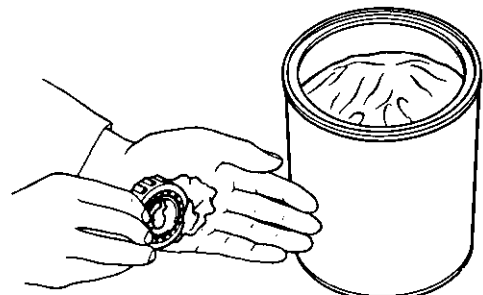
## Installation

- Pack hub and hub cap with recommended multi-purpose grease up to shaded portions.



SFA966

- Coat each bearing cone with recommended multi-purpose grease.



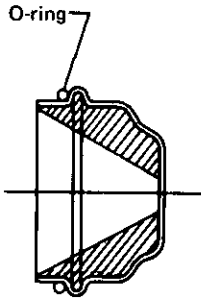
FA781

# FRONT AXLE — Wheel Hub

## Preload Adjustment

After wheel bearing has been replaced or front axle has been reassembled, adjust wheel bearing preload.


1. Thoroughly clean all parts to prevent dirt entry before adjustment.
2. Apply recommended multi-purpose grease sparingly to the following parts.
  - Threaded portion of spindle.
  - Contact surface between lock washer and outer wheel bearing.
  - Hub cap and O-ring.
  - Grease seal lip.

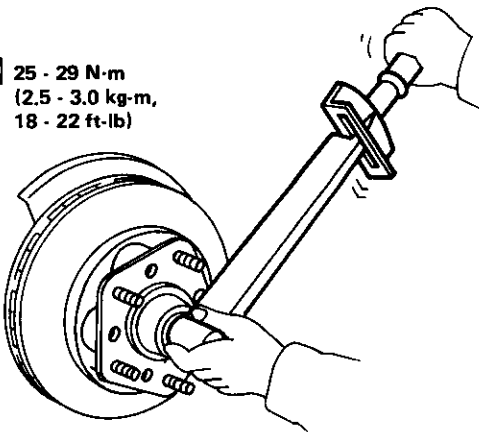


 : Multi-purpose grease point

SMA203A

3. Tighten wheel bearing lock nut.

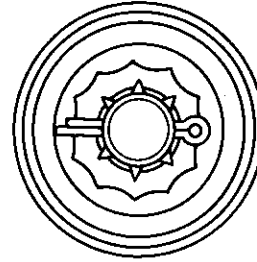
 25 - 29 N·m  
(2.5 - 3.0 kg·m,  
18 - 22 ft·lb)



SFA976

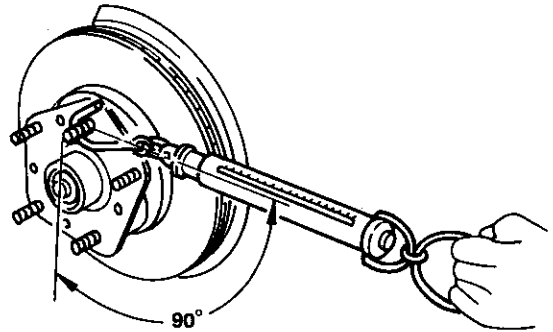
4. Turn wheel hub several times in both directions to seat wheel bearing correctly.
5. Again tighten wheel bearing nut.
6. Turn back wheel bearing lock nut within 60°.

7. Install adjusting cap and new cotter pin.



SFA967

8. Measure wheel bearing preload and axial play.

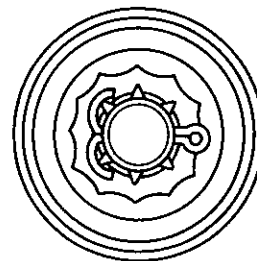


Axial play: 0 mm (0 in)  
When bearing preload  
(As measured at wheel hub bolt):  
With new parts  
6.86 - 14.61 N (0.70 - 1.49 kg, 1.54 - 3.29 lb)  
With used parts  
1.67 - 7.75 N (0.17 - 0.79 kg, 0.37 - 1.74 lb)

SFA977

Repeat above procedures until correct starting torque is obtained.

9. Spread cotter pin.



SFA968

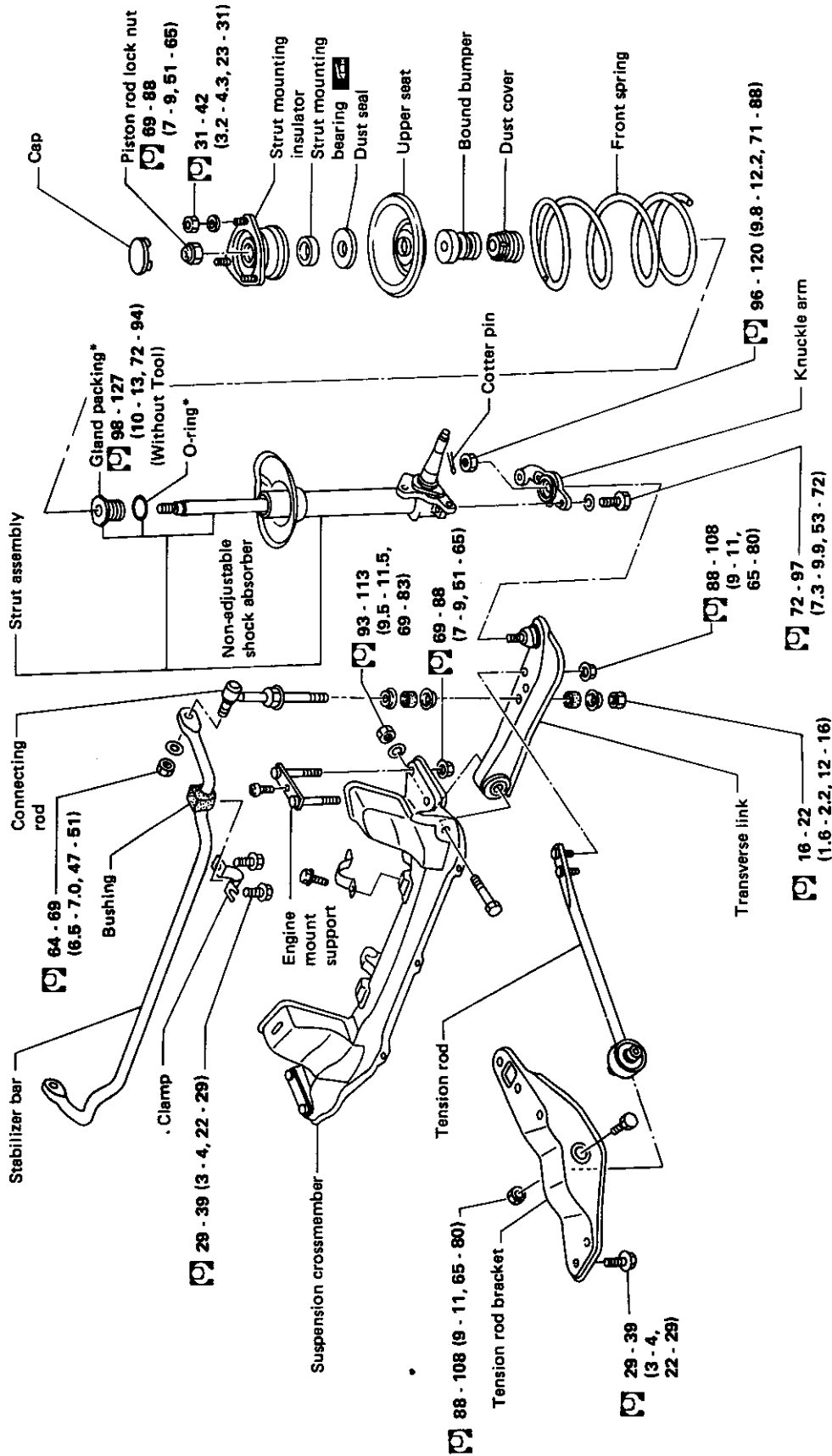
10. Install hub cap with new O-ring.

# FRONT SUSPENSION

When removing each suspension part, check wheel alignment and adjust if necessary. Refer to section MA for front axle and front suspension. Final tightening requires to be carried out with tires on ground. When installing a bushing, do not allow it to project beyond the surface area of the washer.

Do not allow the bushings and washers to come in contact with grease, oil, or soapy water.

\*: Replace when disassembled.

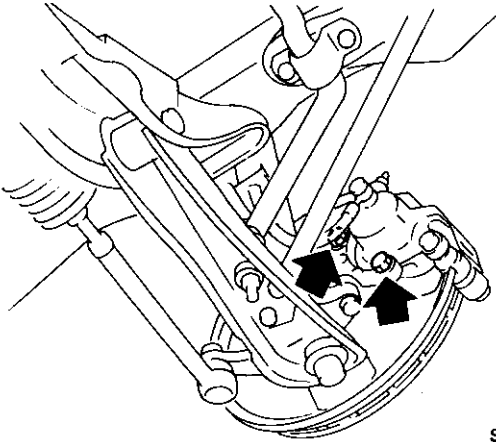


: N.m (kg-m, ft-lb)

# FRONT SUSPENSION — Spring and Strut Assembly

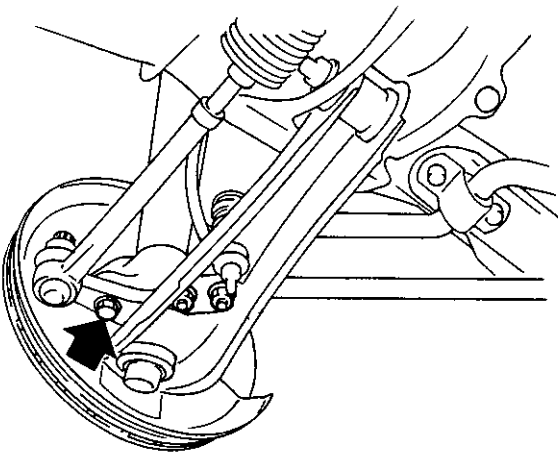
## Removal and Installation

- Remove brake caliper assembly without disconnecting brake line.



SFA567

- Remove knuckle arm fixing bolts.



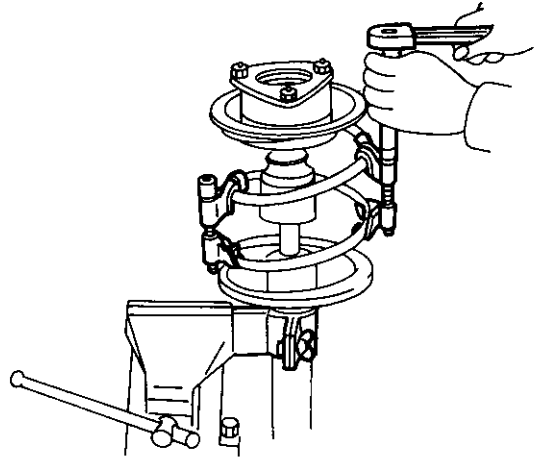
SFA978

Make sure brake hose is secure.

## Disassembly

Avoid dirt and dust getting inside strut.

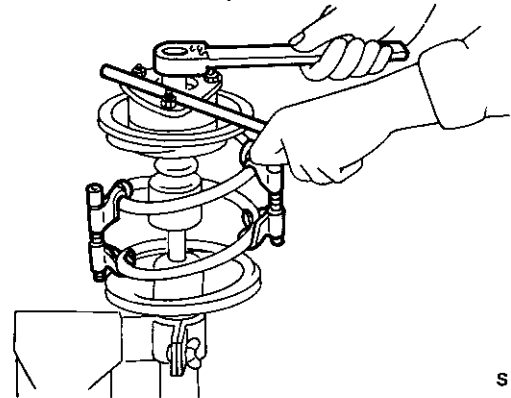
- Compress spring to permit turning of strut mounting insulator by hand.



SFA571

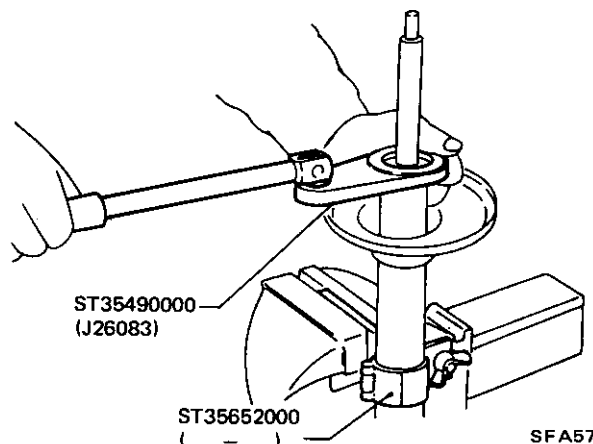
- Remove piston rod lock nut.

Be careful not to damage bolts.



SFA572

- Remove gland packing with Tool. Retract piston rod by pushing it down until it bottoms.



SFA573

- Slowly withdraw piston rod and cylinder.

# FRONT SUSPENSION — Spring and Strut Assembly

## Inspection

- Wash all parts, except for nonmetallic parts, clean with suitable solvent and dry with compressed air.
- Blow dirt and dust off of nonmetallic parts using compressed air.
- a. Oil oozing out around gland packing does not call for strut replacement.  
If oil leakage is evident on spring seat, check piston rod and gland packing to correct the cause of problem.  
If oil leakage occurs on welded portion of outer strut casing, replace strut assembly.
- b. If shock absorber itself is malfunctioning, replace as shock absorber kit-cartridge.

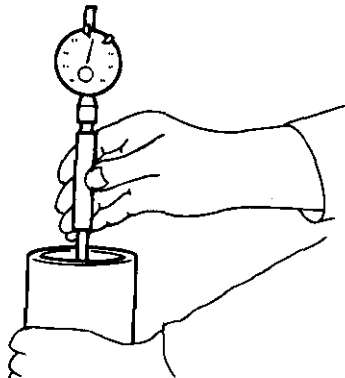
### INNER CYLINDER AND OUTER CASING

- Inspect inner cylinder and outer casing for cracks, deformation or other damage. For inner cylinder damage, replace shock absorber kit-cartridge. For outer casing damage, replace strut assembly.

#### Inner diameter:

##### Inner cylinder

32.0 - 32.1 mm (1.260 - 1.264 in)

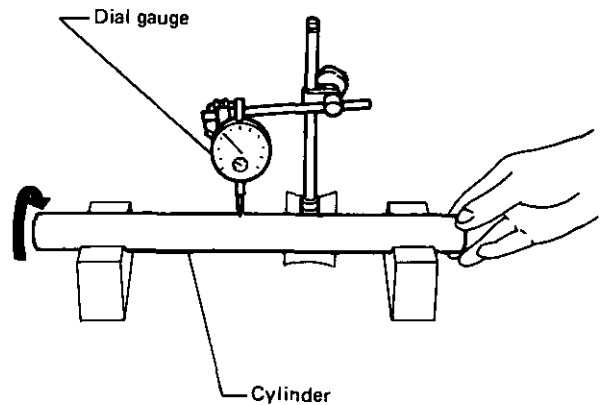


SFA136

#### Maximum runout:

##### Inner cylinder

Less than 0.2 mm (0.008 in)



SFA137

### PISTON ROD

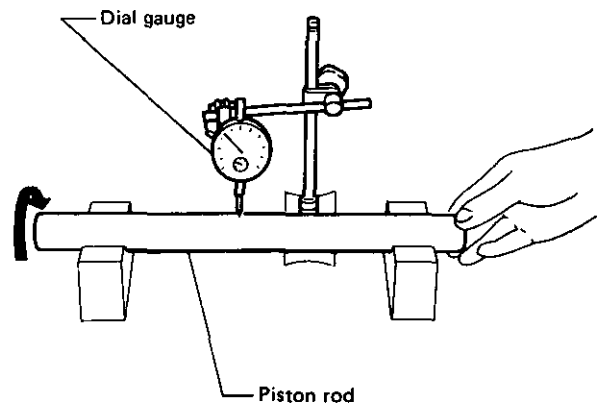
- Inspect piston rod for cracks, deformation or other damage. Replace shock absorber kit-cartridge, if necessary.
- Inspect threads for cracks or other damage. Replace shock absorber kit-cartridge, if necessary.

#### Rod diameter:

Refer to S.D.S.

#### Maximum runout:

0.2 mm (0.008 in)



SFA137

### STRUT MOUNTING INSULATOR

Replace if cemented rubber-to-metal portion are melted or cracked. Rubber parts also need to be replaced, if deteriorated.

### STRUT MOUNTING BEARING

Replace if inspection reveals abnormal noise or excessive rattle in axial direction.



# FRONT SUSPENSION — Spring and Strut Assembly

## Assembly

Before assembly, keep all parts away from dust.

[When shock absorber kit-cartridge is not used.]

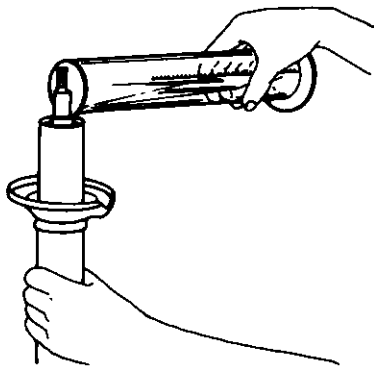
(1) Add oil.

Use "NISSAN GENUINE STRUT FLUID" or equivalent.

Oil capacity is very important since strut performance varies with amount of fluid in strut.

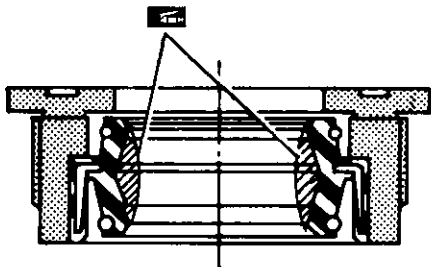
Capacity:

270 ml (9.1 US fl oz, 9.5 Imp fl oz)



FA065

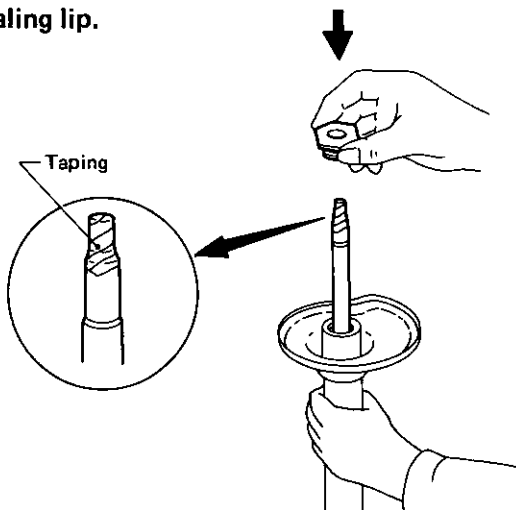
(2) Lubricate sealing lip of gland packing.



SFA141

(3) Install gland packing.

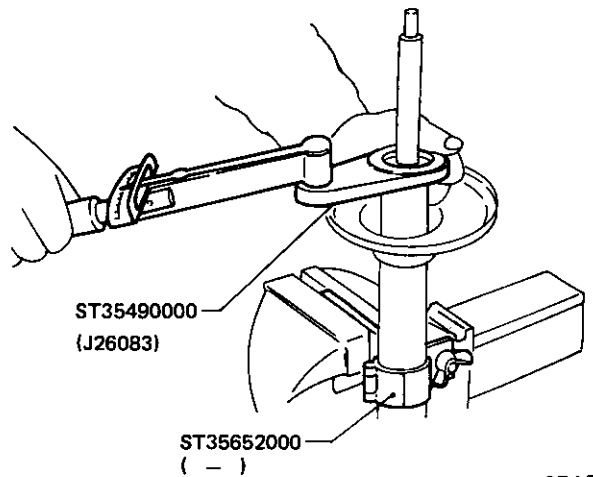
Cover piston rod with tape so as not to damage sealing lip.



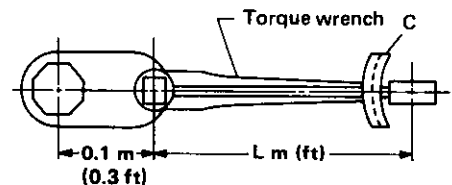
SFA574

• Tighten gland packing with Tool.

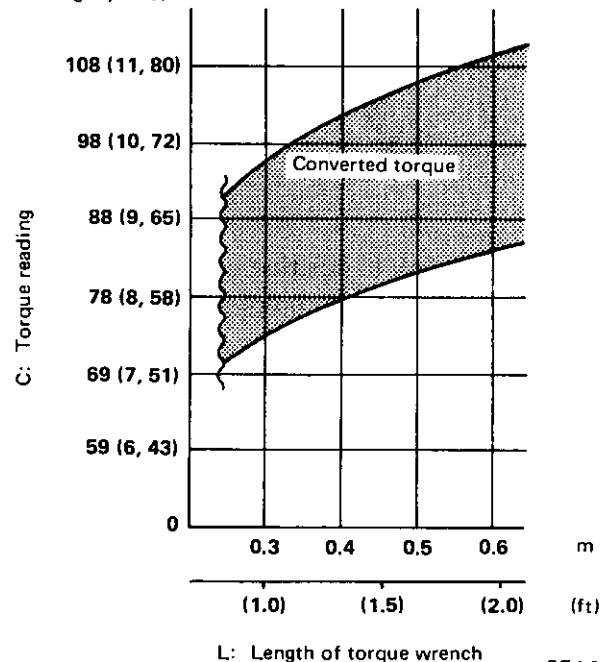
Be careful not to damage piston rod.



SFA591



N·m (kg·m, ft·lb)



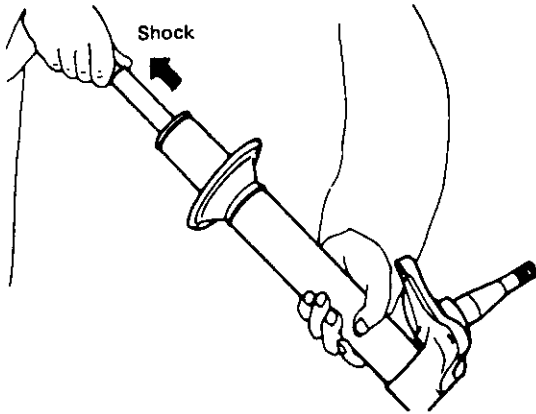
SFA672

# FRONT SUSPENSION — Spring and Strut Assembly

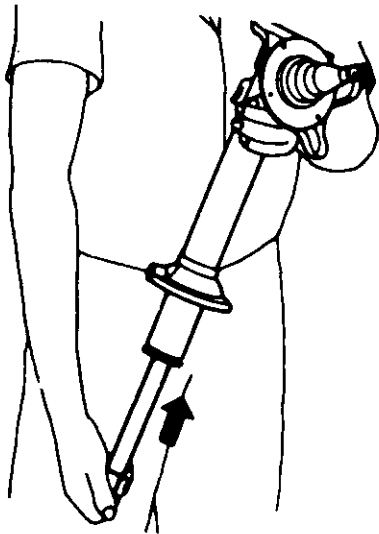
## Assembly (Cont'd)

Repeat following procedures several times so that air will be thoroughly bled from strut.

[When absorber kit-cartridge is not used.]

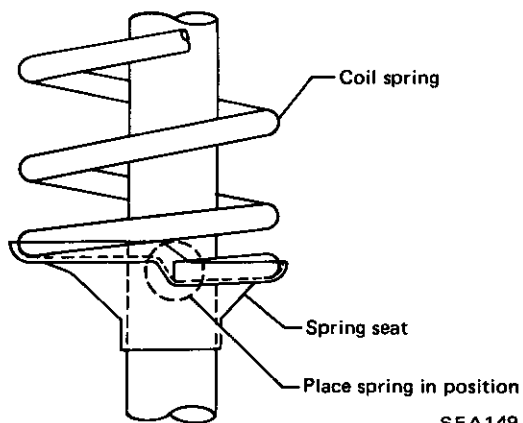


FA279



FA280

After placing spring in position between upper and lower spring seats, release compressor gradually.



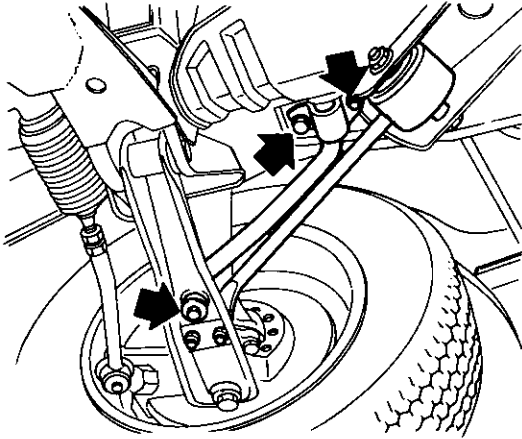
SFA149

# FRONT SUSPENSION — Tension Rod and Stabilizer Bar

## Removal and Installation

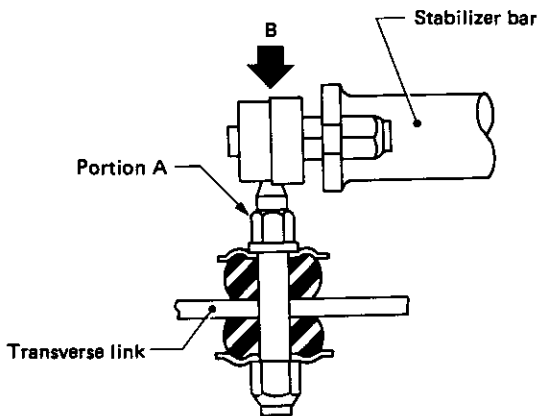
### [STABILIZER BAR]

- Remove stabilizer bar.



SFA381A

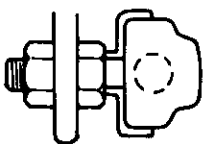
- When removing and installing stabilizer bar, fix portion A.



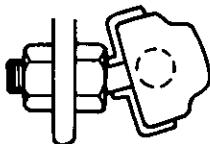
SFA239A

- Install stabilizer bar and ball joint socket properly placed.

View from B



O.K.

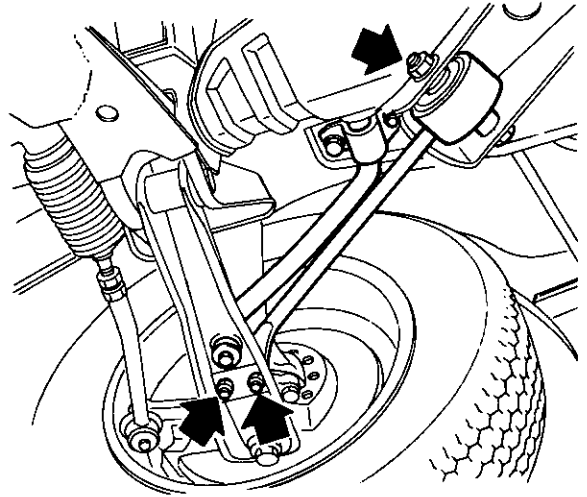


N.G.

SFA002A

### [TENSION ROD]

- Remove tension rod.



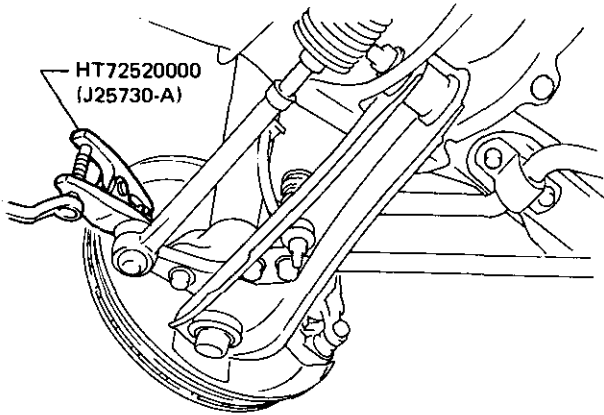
SFA382A

- Final tightening needs to be carried out at curb weight with tires on ground.

# FRONT SUSPENSION — Transverse Link

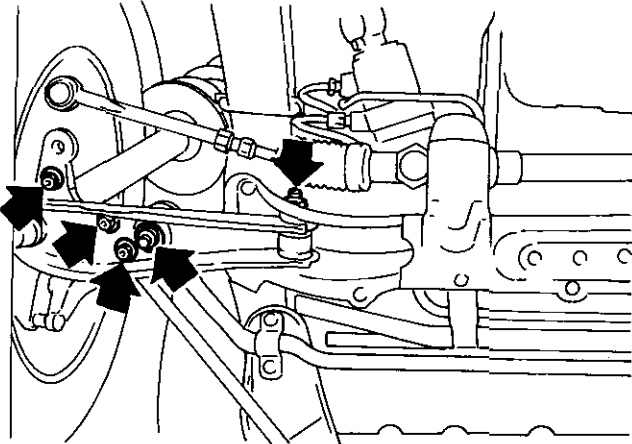
## Removal and Installation

- Separate knuckle arm from tie-rod with Tool.



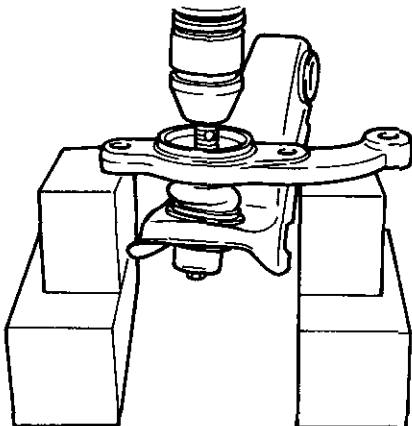
SFA575

- Separate knuckle arm from strut. Then remove stabilizer, tension rod and transverse link.



SFA576

- Separate ball joint from knuckle arm with press.



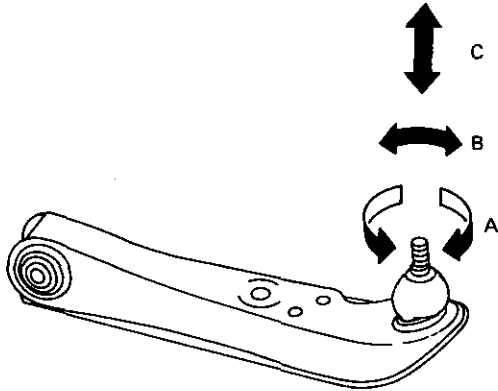
SFA577

- To install transverse link, first temporarily tighten nuts securing transverse link spindle which connects transverse link to suspension cross member.
- Final tightening needs to be carried out at curb weight with tires on ground.
- Make sure mating surface of bushing is clean and free from oil and grease.

# FRONT SUSPENSION — Transverse Link

## Inspection

- Check ball joint for play. If ball stud is worn, play in axial direction is excessive or joint is hard to swing, replace transverse link assembly.



SFA581

### Turning torque "A":

#### New parts

1.5 - 4.9 N·m

(15 - 50 kg·cm, 13 - 43 in·lb)

#### Used parts

1.0 N·m (10 kg·cm, 8.7 in·lb) or more

### Turning torque "B":

#### New parts

1.5 - 4.9 N·m

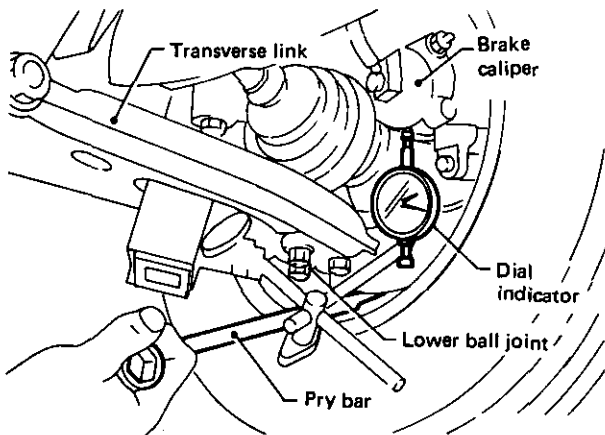
(15 - 50 kg·cm, 13 - 43 in·lb)

#### Used parts

1.0 N·m (10 kg·cm, 8.7 in·lb) or more

### Vertical end play "C":

2.5 mm (0.098 in) or less



SFA301A

- (1) Jack up front of vehicle and set the stands.
  - (2) Clamp dial indicator onto transverse link and place indicator tip on lower edge of brake caliper.
  - (3) Make sure front wheels are straight and brake pedal is depressed.
  - (4) Place a pry bar between transverse link and inner rim of road wheel.
  - (5) While pushing and releasing pry bar, observe maximum dial indicator value.
  - (6) Replace transverse link or lower ball joint if ball joint movement is beyond specifications.
- Check condition of dust cover. Replace if necessary.
  - Check rubber bushing for cracks, deformation or other damage; bush assembly if necessary.
  - Check transverse link for cracks, deformation or other damage; replace transverse link if necessary.
  - Remove plug and install grease nipple in its place.  
Pump grease slowly until old grease is completely forced out. After greasing, reinstall plug.

When a high-pressure grease gun is used, operate the grease gun carefully so that grease is injected slowly and new grease does not come out from the clamp portion.

# FRONT SUSPENSION — Suspension Crossmember

## Removal and Installation

### Precaution

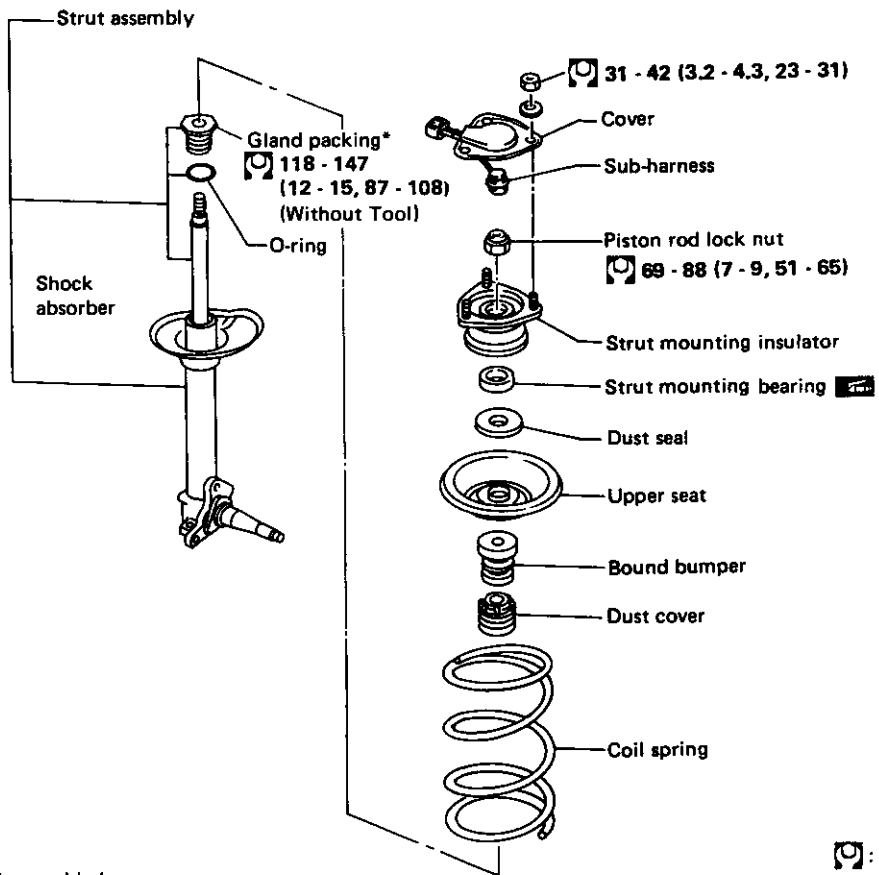
Support engine to remove load from engine mounting.

## Inspection

Check suspension crossmember for deformation or cracking:

Replace if necessary.

# ADJUSTABLE SHOCK ABSORBER



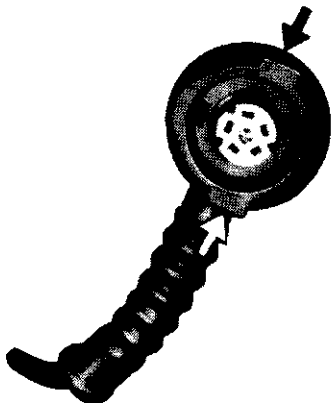
SFA979

## Removal and Installation

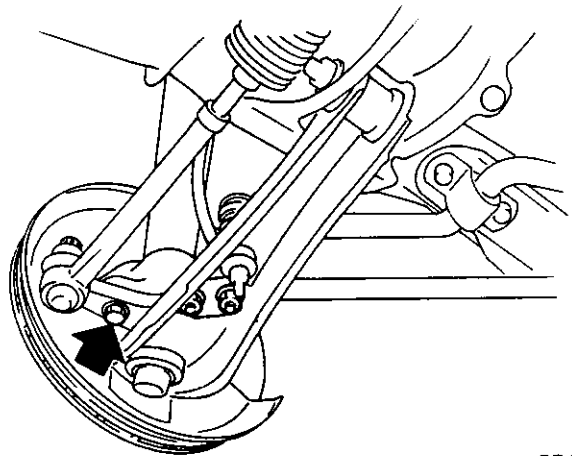
### CAUTION:

Keep water and dust away from connector.

Disconnect connector gripping on both sides of sub-harness connector.



- Remove strut and knuckle arm fixing bolts.



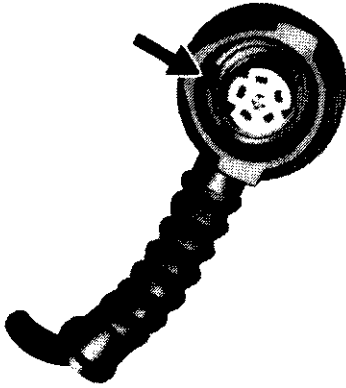
SFA978

Make sure that brake hose is secure.

# ADJUSTABLE SHOCK ABSORBER

## Removal and Installation (Cont'd)

- Connect sub-harness to connector within piston rod using guide. Be careful not to damage connector.



## Disassembly

Avoid dirt and dust getting inside strut.

- Remove coil spring. Refer to Front Suspension (Spring and Strut Assembly).
- Remove gland packing. Refer to Front Suspension (Spring and Strut Assembly).

## Inspection

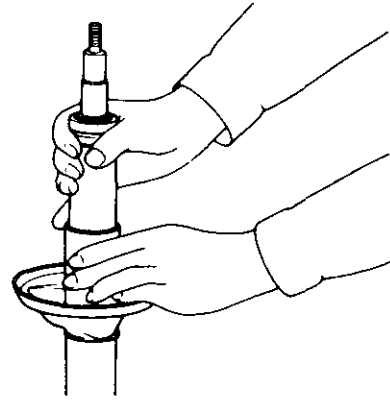
Refer to Front Suspension (Spring and Strut Assembly).

## Assembly

- Carefully insert the shock absorber cartridge into the outer strut tube.

### CAUTION:

Do not drop the shock absorber.



SFA165

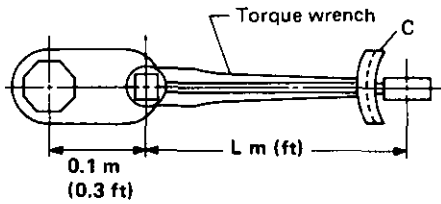
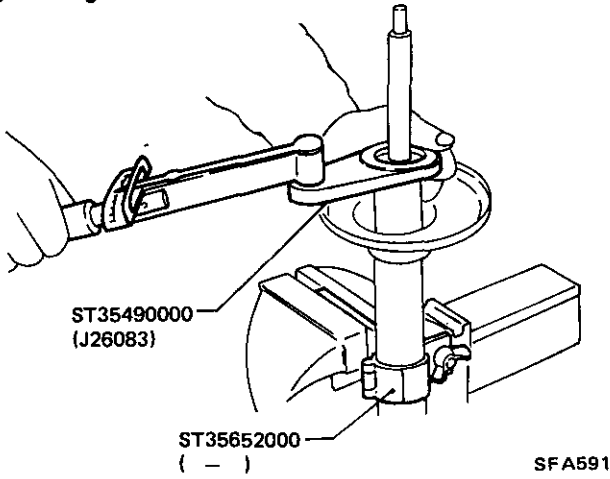
- After the shock absorber has been inserted into the outer tube, gently shake the strut assembly right and left so that the shock absorber is centered.
- Install gland packing and tighten the gland packing with the Gland Packing Wrench and a torque wrench. Refer to Spring and Strut Assembly for assembly.



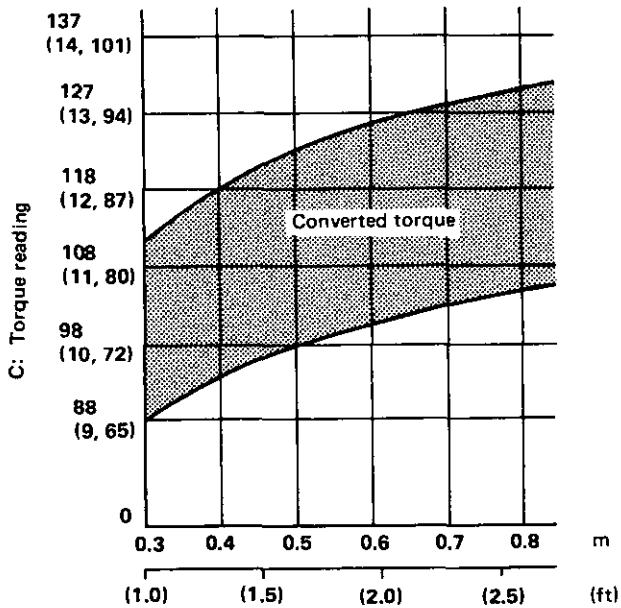
# ADJUSTABLE SHOCK ABSORBER

## Assembly (Cont'd)

Be careful not to damage piston rod when tightening.



N-m (kg-m, ft-lb)



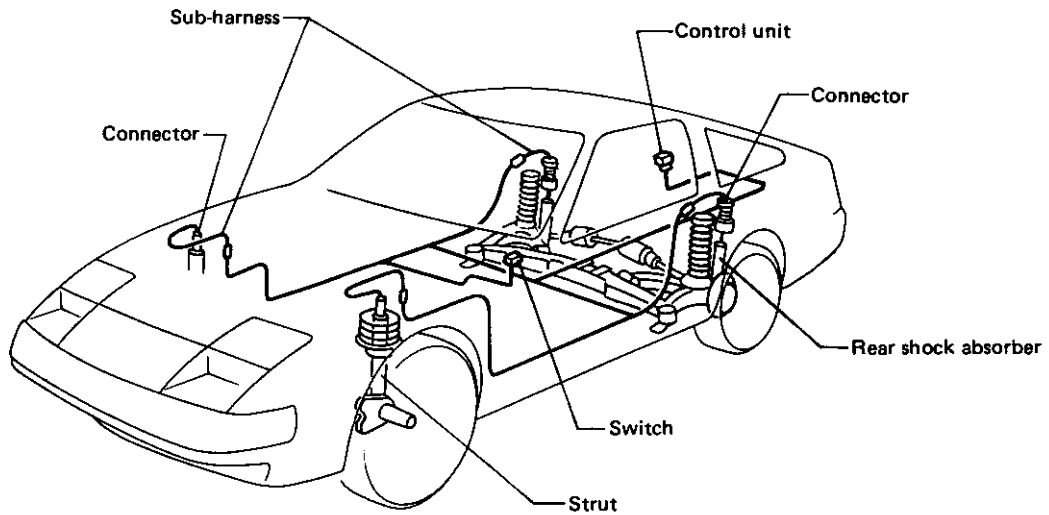
L: Length of torque wrench

SFA671

- Further steps are the same procedure as the conventional strut assembly. Refer to Spring and Strut Assembly for assembly.

# ADJUSTABLE SHOCK ABSORBER

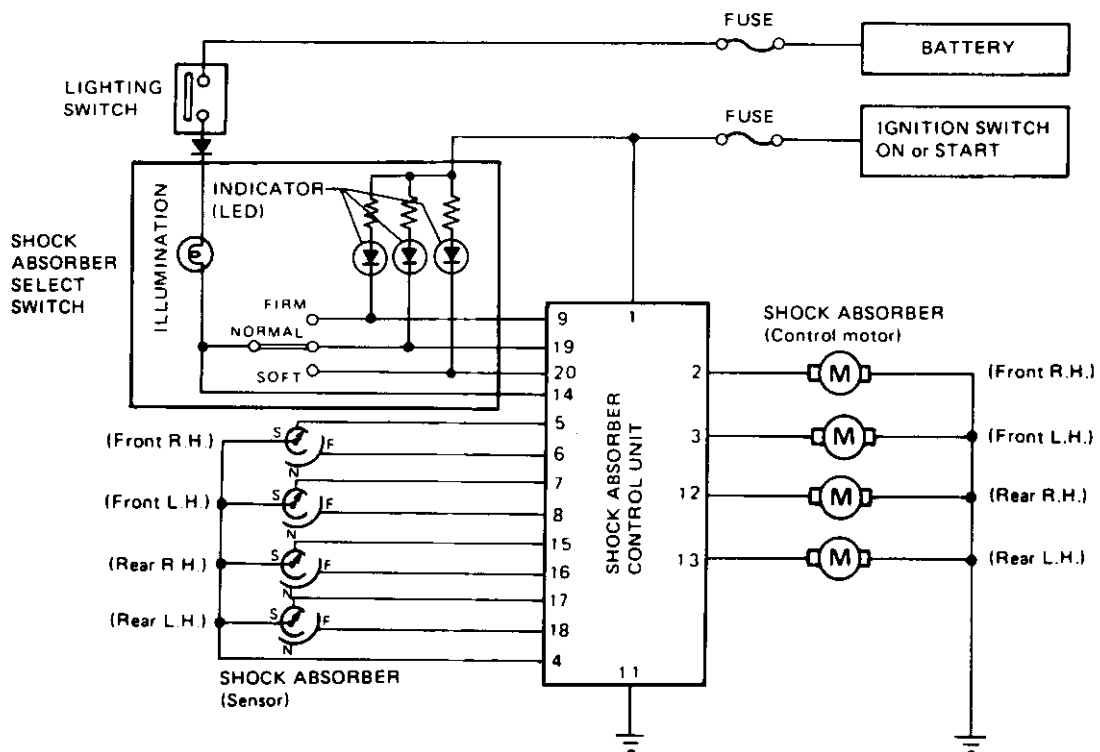
## Harness Description



SFA590

## Electrical Circuit

### SCHEMATIC

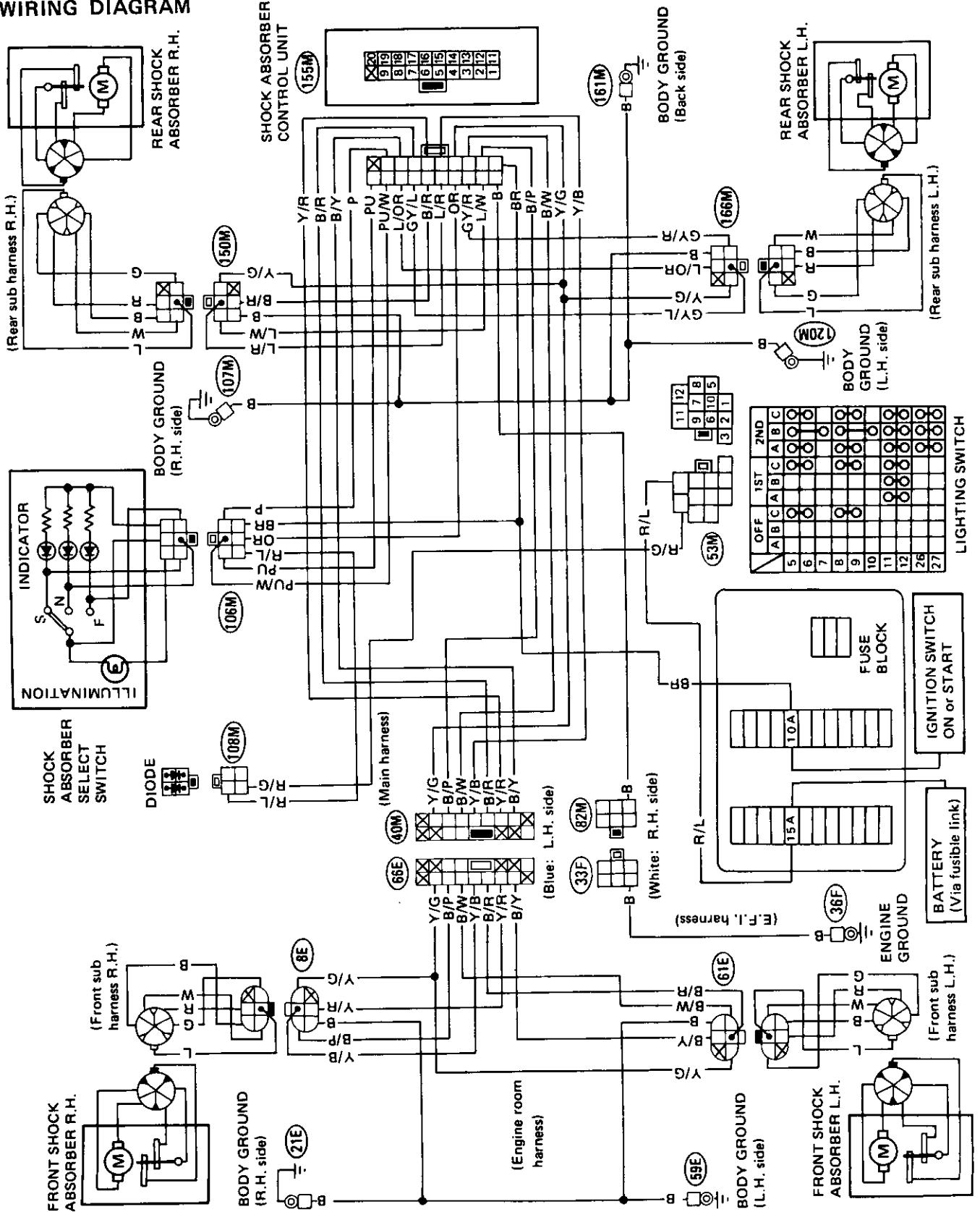


SFA195A

# ADJUSTABLE SHOCK ABSORBER

## Electrical Circuit (Cont'd)

### WIRING DIAGRAM



SFA320A

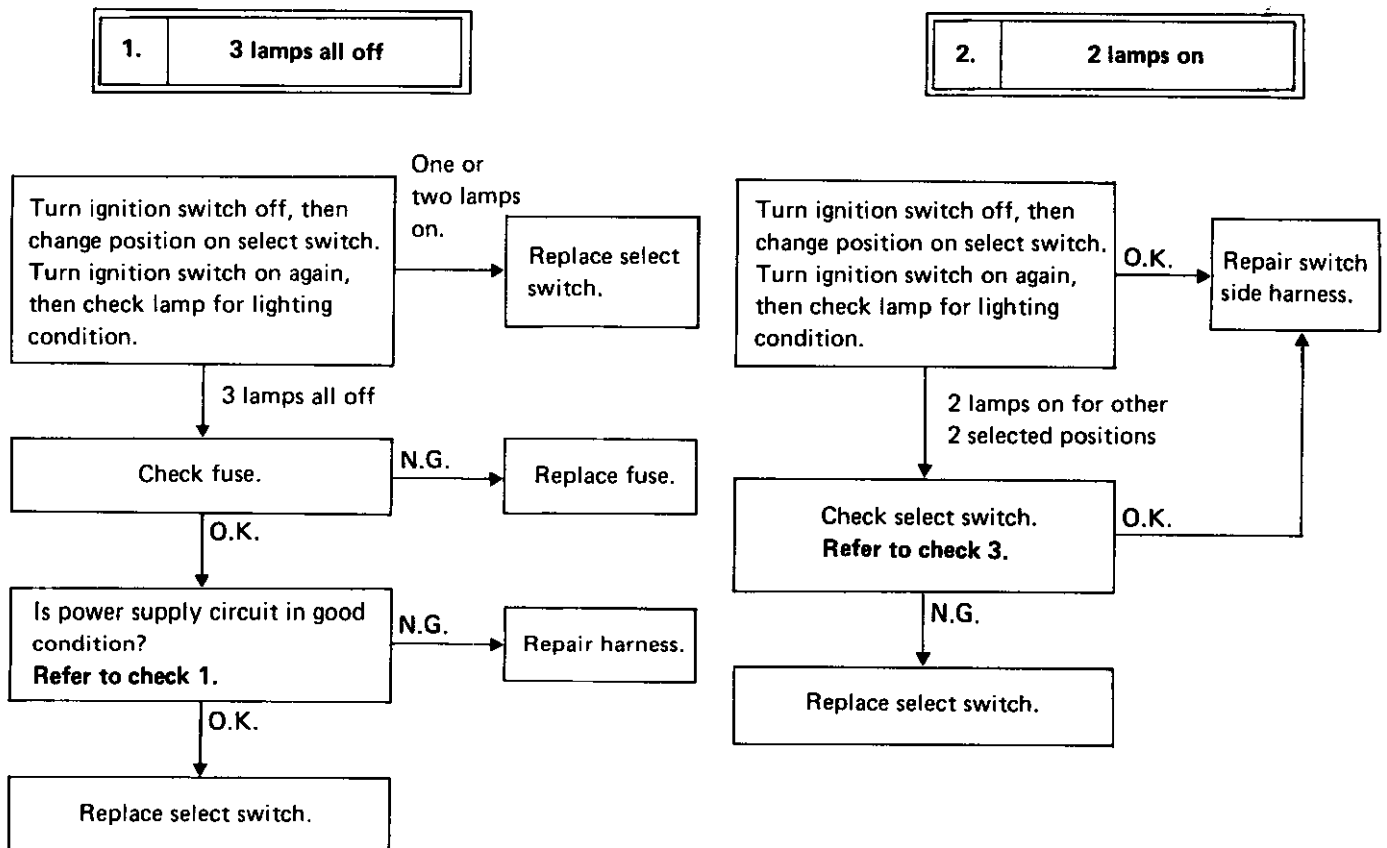
# ADJUSTABLE SHOCK ABSORBER

## Trouble-shooting

- The shock absorber control unit has a self-check function to determine whether the control unit itself is working or not.
- A malfunction is displayed by the lamp (L.E.D.) which is located on select switch.

| No. | Phenomenon on switch               | Possible cause  |
|-----|------------------------------------|---|
| 1   | 3 lamps all off                    | <ul style="list-style-type: none"> <li>• Lamp (L.E.D.) burnt out</li> <li>• Fuse blown</li> <li>• Harness wire broken</li> <li>• Select switch out of order</li> </ul>                        |
| 2   | 2 lamps on                         | <ul style="list-style-type: none"> <li>• Select switch out of order</li> <li>• Switch side harness shorted</li> </ul>   |
| 3   | 3 lamps all on                     | <ul style="list-style-type: none"> <li>• Select switch out of order</li> <li>• Control unit out of order</li> <li>• Switch side harness shorted</li> </ul>                                    |
| 4   | One lamp on and 2 lamps on and off | <ul style="list-style-type: none"> <li>• Shock absorber damage</li> <li>• Open circuit in sub-harness</li> <li>• Open circuit in main harness</li> <li>• Control unit out of order</li> </ul> |

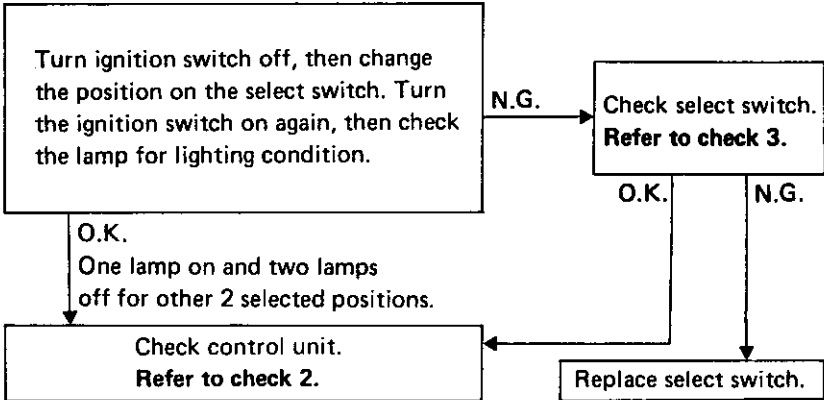
Make sure that connectors are connected properly and that battery is in good condition before starting trouble diagnoses.



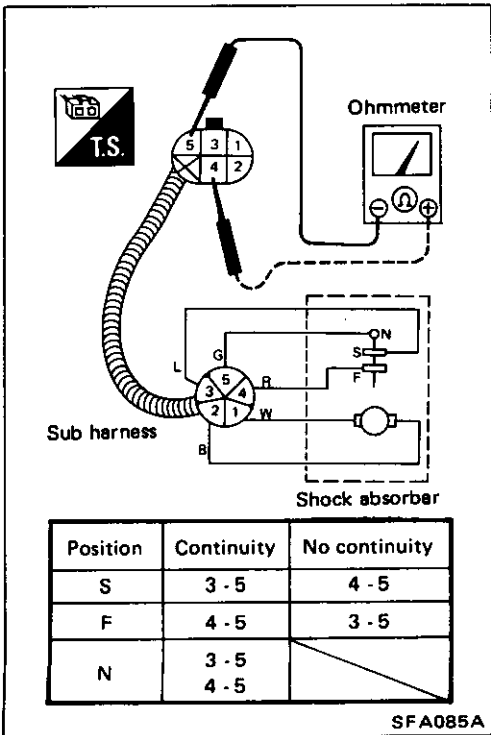
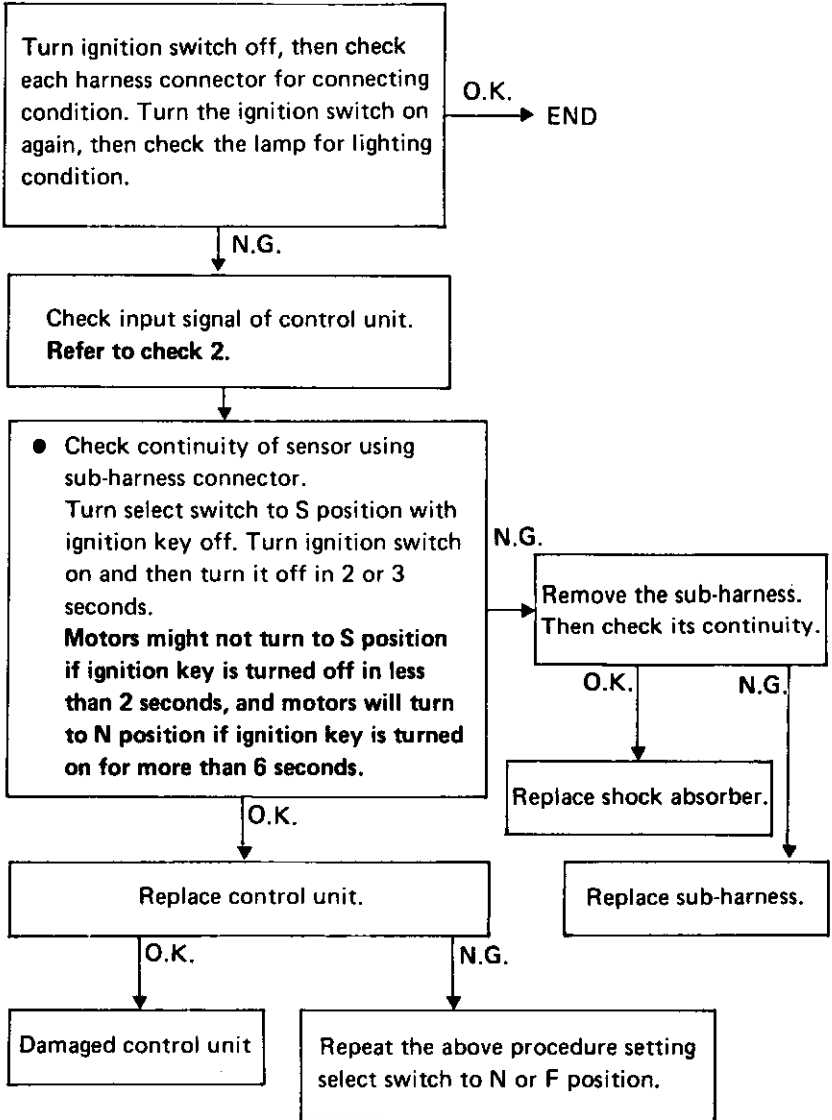
# ADJUSTABLE SHOCK ABSORBER

## Trouble-shooting (Cont'd)

**3. 3 lamps all on**

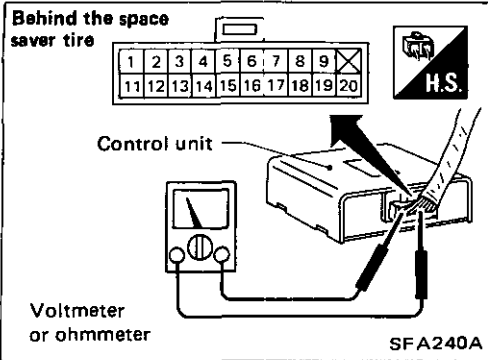


**4. One lamp on and 2 lamps on and off**



# ADJUSTABLE SHOCK ABSORBER

## Terminal Check



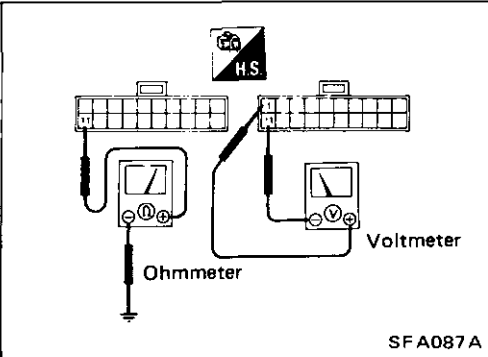
### CHECK 1: POWER SUPPLY CIRCUIT CHECK

1. Connect ohmmeter from harness side.
2. Check continuity between terminal ⑪ and body ground.

| Ohmmeter terminal |             | Continuity |
|-------------------|-------------|------------|
| (+)               | (-)         |            |
| ⑪                 | Body ground | Yes        |

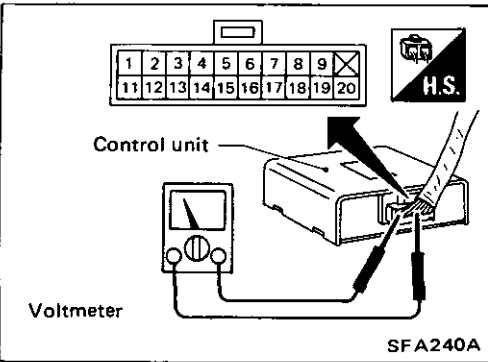
3. Connect voltmeter from harness side.
4. Measure voltage across terminal ① and ⑪.

| Voltmeter |     | Voltage      | Condition                     |
|-----------|-----|--------------|-------------------------------|
| (+)       | (-) |              |                               |
| ①         | ⑪   | Approx. 12 V | Ignition switch position "ON" |



### CHECK 2: CONTROL UNIT CHECK

1. Connect voltmeter from harness side.
2. Turn ignition switch to "ON".
3. Measure voltage across each terminal.



### Sensor check

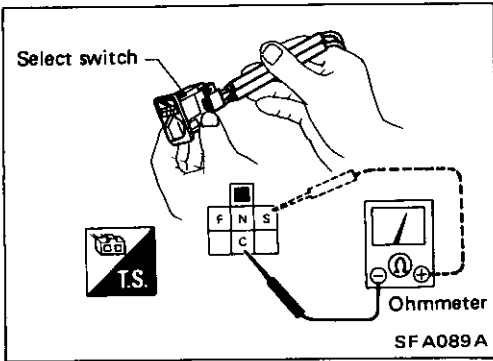
| "SOFT"  |          |     |          |            |          | "FIRM" |          |         |          |     |          | "NORMAL"   |          |     |          |
|---------|----------|-----|----------|------------|----------|--------|----------|---------|----------|-----|----------|------------|----------|-----|----------|
| Voltage | Terminal |     | Remarks  | Voltage    | Terminal |        | Remarks  | Voltage | Terminal |     | Remarks  | Voltage    | Terminal |     |          |
|         | (+)      | (-) |          |            | (+)      | (-)    |          |         | (+)      | (-) |          |            | (+)      | (-) |          |
| 0V      | ④        |     | GND      | Approx. 7V | ⑥        |        | FR, R.H. | 0V      | ④        |     | GND      | Approx. 7V | ⑤        |     | FR, R.H. |
|         | ⑤        |     | FR, R.H. |            | ⑧        |        | FR, L.H. |         | ⑥        |     | FR, R.H. |            | ⑦        |     | FR, L.H. |
|         | ⑦        | ⑪   | FR, L.H. |            | ⑩        | ⑪      | FR, R.H. |         | ⑧        | ⑪   | FR, L.H. |            | ⑮        | ⑪   | RR, R.H. |
|         | ⑮        |     | RR, R.H. |            | ⑱        |        | RR, L.H. |         | ⑯        |     | RR, R.H. |            | ⑰        |     | RR, L.H. |
|         | ⑰        |     | RR, L.H. |            |          |        |          |         | ⑱        |     | RR, L.H. |            |          |     |          |
| 0V      |          |     |          |            |          |        |          |         |          |     |          | ④          |          |     |          |
|         |          |     |          |            |          |        |          |         |          |     |          |            | ⑤        | ⑮   |          |
|         |          |     |          |            |          |        |          |         |          |     |          |            | ⑥        | ⑯   | ⑪        |
|         |          |     |          |            |          |        |          |         |          |     |          |            | ⑦        | ⑰   |          |
|         |          |     |          |            |          |        |          |         |          |     |          |            | ⑧        | ⑱   |          |

### Select switch check

| "SOFT"  |          |     |             | "FIRM"   |     |         |          | "NORMAL" |             |          |     |         |          |   |
|---------|----------|-----|-------------|----------|-----|---------|----------|----------|-------------|----------|-----|---------|----------|---|
| Voltage | Terminal |     | Voltage     | Terminal |     | Voltage | Terminal |          | Voltage     | Terminal |     | Voltage | Terminal |   |
|         | (+)      | (-) |             | (+)      | (-) |         | (+)      | (-)      |             | (+)      | (-) |         |          |   |
| 0 V     | ⑳        | ⑪   | Approx. 11V | ⑨        | ⑪   | 0 V     | ⑨        | ⑪        | Approx. 11V | ⑰        | ⑪   | 0 V     | ⑰        | ⑪ |
|         |          |     |             | ⑱        |     |         |          |          |             | ⑲        |     |         |          |   |
|         |          |     |             |          |     |         |          |          |             | ⑳        |     |         |          |   |

# ADJUSTABLE SHOCK ABSORBER

## Terminal Check (Cont'd)



### CHECK 3: SELECT SWITCH CHECK

1. Disconnect select switch connector, then connect an ohmmeter to switch.
2. Check for continuity between terminals at each switch position.

| Terminal<br>Switch position | C | S | N | F |
|-----------------------------|---|---|---|---|
| "S" (Soft)                  | ○ | ○ |   |   |
| "N" (Normal)                | ○ | — | ○ |   |
| "F" (Firm)                  | ○ |   |   | ○ |

# SERVICE DATA AND SPECIFICATIONS (S.D.S.)

## General Specifications

| Item                                   | Engine                             |  | VG30ET                                     |  | VG30E                             |               |      |
|--|------------------------------------|--|--|--|-----------------------------------|---------------|------|
|  | Vehicle model                      |  | 2 seater                                   | 2+2 seater                                 | 2 seater                          | 2+2 seater    |      |
|  | Grade                              |  | GL-GL-L                                    |  | SF-GL-GL-L                        | GL            | GL-L |
| Suspension                             | Strut with coil spring             |  |  |  |                                   |               |      |
| Coil spring                            |                                    |  |  |  |                                   |               |      |
| Wire diameter                          | mm (in)                            | 14.8 (0.583)                               |  | 13.8 (0.543)                               |                                   | 13.9 (0.547)  |      |
| Coil diameter                          | mm (in)                            | 170 (6.69)                                 |  |  |                                   |               |      |
| Free length                            | mm (in)                            | 268.5 (10.57)                              |  | 312.5 (12.30)                              |                                   | 318.5 (12.54) |      |
| Spring constant                        | N/mm (kg/mm, lb/in)                | 34.3 (3.5, 196)                            |  | 23.8 (2.43, 136.1)                         |                                   |               |      |
| Identification color                   | Yellow x 1, Orange x 1             |  | Blue x 1, White x 1                        |  | Blue x 1, Orange x 1              |               |      |
| Strut                                  |                                    |  |  |  |                                   |               |      |
| Type                                   | Gas-filled double acting hydraulic |  |  | Double acting hydraulic                    |                                   |               |      |
|  | Adjustable                         |  |  | Non-adjustable                             |                                   |               |      |
| Inner cylinder                         |                                    |  |  |  |                                   |               |      |
| Inner diameter                         | mm (in)                            | 35.0 - 35.1 (1.378 - 1.382)                |  | 32.0 - 32.1 (1.260 - 1.264)                |                                   |               |      |
| Maximum runout                         | mm (in)                            | Less than 0.2 (0.008)                      |  | Less than 0.2 (0.008)                      |                                   |               |      |
| Piston rod                             |                                    |  |  |  |                                   |               |      |
| Rod diameter                           | mm (in)                            | 25 (0.98)                                  |  | 22 (0.87)                                  |                                   |               |      |
| Maximum runout                         | mm (in)                            | Less than 0.1 (0.004)                      |  | Less than 0.1 (0.004)                      |                                   |               |      |
| Stroke                                 |                                    |  |  |  |                                   |               |      |
| Maximum/Minimum                        | mm (in)                            | 189.8 - 193.8/39.5 (7.47 - 7.63/1.555)     |  |  |                                   |               |      |
| Damping force [at 0.3 m (1.0 ft)/sec.] |                                    |  | Firm                                       | Normal                                     | Soft                              |               |      |
| Expansion                              | N (kg, lb)                         | 1,579 - 2,148<br>(161 - 219,<br>355 - 483) | 1,579 - 2,148<br>(161 - 219,<br>355 - 483) | 1,324 - 1,775<br>(135 - 181,<br>298 - 399) | 834 - 1,128 (85 - 115, 187 - 254) |               |      |
| Compression                            | N (kg, lb)                         | 834 - 1,128<br>(85 - 115,<br>187 - 254)    | 834 - 1,128<br>(85 - 115,<br>187 - 254)    | 657 - 912<br>(67 - 93,<br>148 - 205)       | 363 - 520 (37 - 53, 82 - 117)     |               |      |
| Stabilizer bar diameter                | mm (in)                            | 24 (0.94)                                  |  | 22 (0.87)                                  |                                   |               |      |
| Tension rod diameter                   | mm (in)                            | 18 (0.71)                                  |  |  |                                   |               |      |



# SERVICE DATA AND SPECIFICATIONS (S.D.S.)

## Inspection and Adjustment

### WHEEL ALIGNMENT (Unladen\*1)

|                           |          |                     |
|---------------------------|----------|---------------------|
| Camber                    | degree   | -35' to 55'         |
| Caster                    | degree   | 5°50' - 7°20'       |
| Toe-in                    | mm (in)  | 1 - 3 (0.04 - 0.12) |
|                           | degree*2 | 6' - 17'            |
| Kingpin inclination       | degree   | 12°55' - 14°25'     |
| Front wheel turning angle |          |                     |
| Toe-out-turn              |          |                     |
| Inside/Outside            | degree   | 22°30'/20°          |
| Full turn                 |          |                     |
| Inside/Outside            | degree   | 35° - 39°/27° - 31° |

\*1: Tankful of fuel, radiator coolant and engine oil full.  
Spare tire, jack, hand tools, mats in designed position

\*2: Total toe-in

### WHEEL BEARING

|                               |                   |  |
|-------------------------------|-------------------|--|
| Wheel bearing axial play      |                   | 0 (0)                                      |
|                               | mm (in)           |  |
| Wheel bearing lock nut        |                   |  |
| Tightening torque             |                   | 25 - 29 (2.5 - 3.0, 18 - 22)               |
|                               | N·m (kg·m, ft·lb) |  |
| Return angle                  | degree            | 60°  |
| Wheel bearing starting torque |                   |  |
| N·m (kg·cm, in·lb)            |                   |  |
| With new grease seal          |                   | 0.39 - 0.83 (4.0 - 8.5, 3.5 - 7.4)         |
| With used grease seal         |                   | 0.10 - 0.44<br>(1.0 - 4.5, 0.87 - 3.91)    |
| At wheel hub bolt             |                   |  |
| N (kg, lb)                    |                   |  |
| With new grease seal          |                   | 6.86 - 14.61<br>(0.70 - 1.49, 1.54 - 3.29) |
| With used grease seal         |                   | 1.67 - 7.75<br>(0.17 - 0.79, 0.37 - 1.74)  |


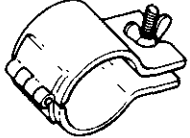
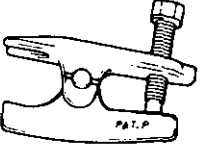
### LOWER BALL JOINT

|                         |         |                              |
|-------------------------|---------|------------------------------|
| Turning torque "A", "B" |         |                              |
| N·m (kg·cm, in·lb)      |         |                              |
| New part                |         | 1.5 - 4.9 (15 - 50, 13 - 43) |
| Used part               |         | 1.0 (10, 8.7) or more        |
| Vertical end play "C"   | mm (in) | 2.5 (0.098) or less          |

## Tightening Torque

| Item   | N·m       | kg·m        | ft·lb     |
|--|-----------|-------------|-----------|
| Wheel hub  |           |             |           |
| Wheel bearing lock nut                             | 25 - 29   | 2.5 - 3.0   | 18 - 22   |
| Wheel hub to disc rotor                            | 59 - 69   | 6.0 - 7.0   | 43 - 51   |
| Wheel nut  | 98 - 118  | 10 - 12     | 72 - 87   |
| Knuckle arm and knuckle spindle (Strut assembly)   |           |             |           |
| Knuckle arm to side rod                            | 54 - 98   | 5.5 - 10.0  | 40 - 72   |
| Knuckle arm to knuckle spindle                     | 72 - 97   | 7.3 - 9.9   | 53 - 72   |
| Torque member fixing bolt                          | 72 - 97   | 7.3 - 9.9   | 53 - 72   |
| Knuckle spindle to baffle plate                    | 3.2 - 4.3 | 0.33 - 0.44 | 2.4 - 3.2 |
| Tie rod lock nut                                   | 78 - 98   | 8 - 10      | 58 - 72   |
| Ball joint   |           |             |           |
| Lower ball joint to knuckle arm                    | 96 - 120  | 9.8 - 12.2  | 71 - 88   |
| Strut assembly                                     |           |             |           |
| Strut mounting insulator fixing bolt               | 31 - 42   | 3.2 - 4.3   | 23 - 31   |
| Piston rod lock nut                                | 69 - 88   | 7 - 9       | 51 - 65   |
| Gland packing                                      |           |             |           |
| Adjustable   | 118 - 147 | 12 - 15     | 87 - 108  |
| Non-adjustable                                     | 98 - 127  | 10 - 13     | 72 - 94   |
| Transverse link                                    |           |             |           |
| Transverse link to suspension member               | 93 - 113  | 9.5 - 11.5  | 69 - 83   |
| Tension rod  |           |             |           |
| Tension rod to tension rod bracket                 | 88 - 108  | 9 - 11      | 65 - 80   |
| Tension rod bracket to body                        | 29 - 39   | 3 - 4       | 22 - 29   |
| Tension rod to transverse link                     | 88 - 108  | 9 - 11      | 65 - 80   |
| Stabilizer bar                                     |           |             |           |
| Stabilizer bar clamp to body (tension rod bracket) | 29 - 39   | 3 - 4       | 22 - 29   |
| Stabilizer bar to transverse link                  | 16 - 22   | 1.6 - 2.2   | 12 - 16   |
| Stabilizer bar to connecting rod                   | 64 - 69   | 6.5 - 7.0   | 47 - 51   |
| Suspension member                                  |           |             |           |
| Suspension member to body                          | 69 - 88   | 7 - 9       | 51 - 65   |

# SPECIAL SERVICE TOOLS

| Tool number<br>(Kent-Moore No.) | Tool name   |
|---------------------------------|---|
| ST35490000<br>(J26083)          | Gland packing wrench<br> |
| ST35652000<br>( - )             | Clamp<br>               |
| HT72520000<br>(J25730-A)        | Ball joint remover<br>  |