

GENERAL INFORMATION

SECTION **GI**

GI

CONTENTS

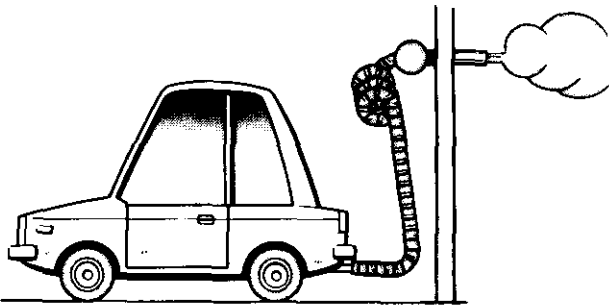
PRECAUTIONS	GI- 2
HOW TO USE THIS MANUAL	GI- 5
IDENTIFICATION INFORMATION	GI- 8
RECOMMENDED FUEL AND LUBRICANTS	GI-13
LIFTING POINTS AND TOW TRUCK TOWING	GI-15
TIGHTENING TORQUE OF STANDARD BOLTS	GI-18

PRECAUTIONS

The following precautions should be observed to ensure safe and proper service operations. These precautions are not described in each individual section.

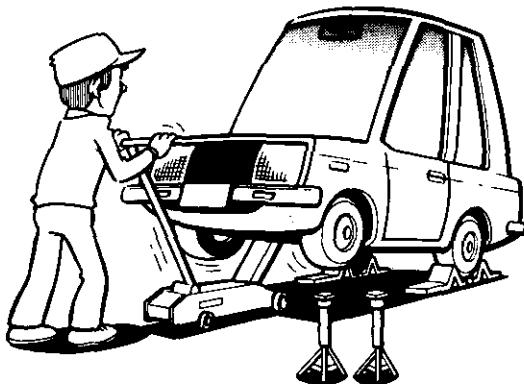
1. Do not operate the engine for an extended period of time without proper exhaust ventilation.

Keep the work area well ventilated and free of any inflammable materials. Special care should be taken when handling any inflammable or poisonous materials, such as gasoline, refrigerant gas, etc. When working in a pit or other enclosed area, be sure to properly ventilate the area before working with hazardous materials. Do not smoke while working on the vehicle.



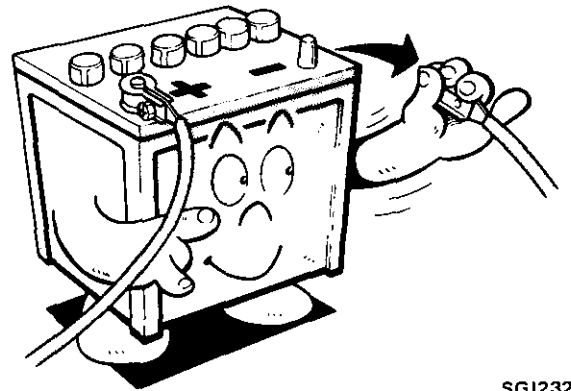
SGI285

2. Before jacking up the vehicle, apply wheel chocks or other tire blocks to the wheels to prevent the vehicle from moving. After jacking up the vehicle, support the vehicle weight with safety stands at the points designated for proper lifting before working on the vehicle. These operations should be done on a level surface.



SGI231

3. When removing a heavy component such as the engine or transaxle/transmission, take care not to lose your balance and drop it. Also do not allow it to hit against adjacent parts, especially the brake tube and brake master cylinder.
4. Before starting repairs which do not require battery power, always turn off the ignition switch, then disconnect the ground cable from the battery to prevent accidental short circuit.



SGI232

5. To prevent serious burns, avoid contact with hot metal parts such as the radiator, exhaust manifold, tail pipe and muffler. Do not remove the radiator cap when the engine is hot.

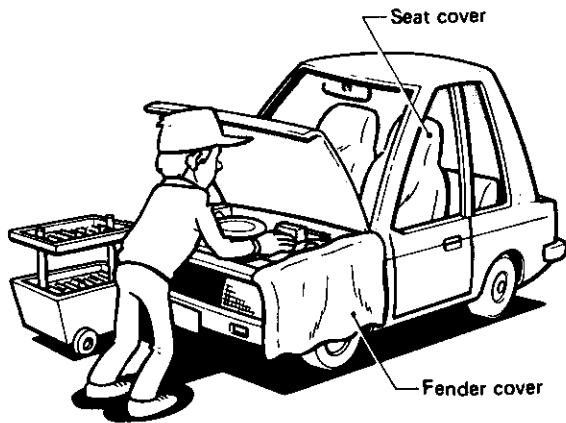


SGI233

6. To prevent scratches and soiling, protect fenders, upholstery and carpeting with appropriate covers before servicing. Take caution that keys, buckles or buttons on your person do not scratch the paint.

PRECAUTIONS

Precautions for a Catalyst

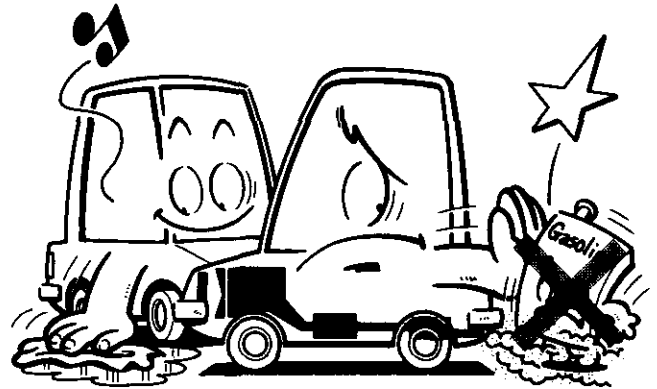


SGI234

7. Clean all disassembled parts in the designated liquid or solvent prior to inspection or assembly.
8. Replace oil seals, gaskets, packings, O-rings, locking washers, cotter pins, self-locking nuts, etc. as instructed and discard used ones.
9. Tapered roller bearings and needle bearings should be replaced as a set of inner and outer races.
10. Arrange the disassembled parts in accordance with their assembled locations and sequence.
11. Do not touch the terminals of electrical components which utilize microcomputers such as electronic control units. Static electrical charges stored in your body may damage internal electronic components.
12. After disconnecting vacuum hose or air hose, attach a tag which indicates the proper connection to prevent incorrect connection.
13. Use only the lubricants specified in the applicable section or those indicated under "Recommended Fuel and Lubricants".
14. Use approved bonding agents, sealants or their equivalents when required.
15. The use of the proper tools and recommended essential tools should be used where specified for proper, safe and efficient service repairs.
16. When effecting repairs on the fuel, oil, water, vacuum or exhaust systems, make certain to check all affected lines for leaks.
17. Dispose of drained oil or the solvent used for cleaning parts in an appropriate manner.

If a large amount of unburned fuel flows into the converter, the converter temperature will be excessively high. To prevent this, follow the procedure below.

1. Use unleaded gasoline only. Leaded gasoline will seriously damage the catalytic converter.
2. When checking for ignition spark or measuring engine compression, make tests quickly and only when necessary.
3. Do not run engine when the fuel tank level is low, otherwise the engine may misfire causing damage to the converter.
4. Do not place the vehicle on inflammable material. Keep inflammable material off the exhaust pipe.



Clean floor

SGI290

PRECAUTIONS

Precautions for E.F.I. or E.C.C.S. Engine

1. Before connecting or disconnecting E.F.I. or E.C.C.S. harness connector to or from any E.F.I. or E.C.C.S. control unit, be sure to turn the ignition switch to the "OFF" position and disconnect the negative battery terminal. Otherwise, there may be damage to control unit.
2. Before disconnecting pressurized fuel line from fuel pump to injectors, be sure to release fuel pressure to eliminate danger.
3. Be careful not to jar components such as control unit and air flow meter.



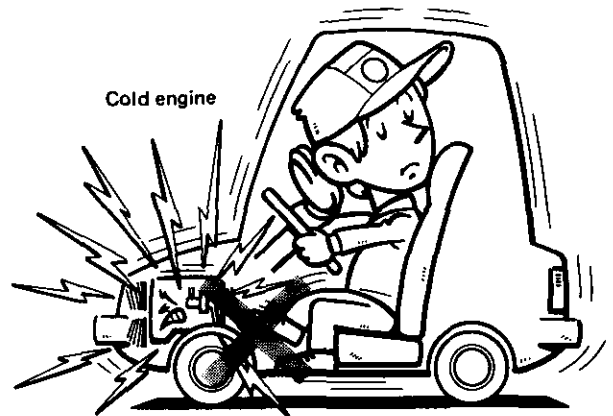
SG1291

Precautions for Turbocharger

The turbocharger system uses engine oil for lubrication and cooling of its rotating components. The turbocharger turbine turns at a speed in excess of 100,000 rpm at full throttle and its temperature can reach 870°C (1,600°F). It is essential to maintain a clean supply of oil flowing through the turbocharger system. Therefore, a sudden interruption of oil supply may cause a malfunction in the turbocharger.

For proper operation of the system, follow the procedure below.

1. Always use the recommended oil. Follow the instructions for proper time to change the oil and proper oil level.
2. Avoid accelerating engine to a high rpm immediately after starting.



SG1292

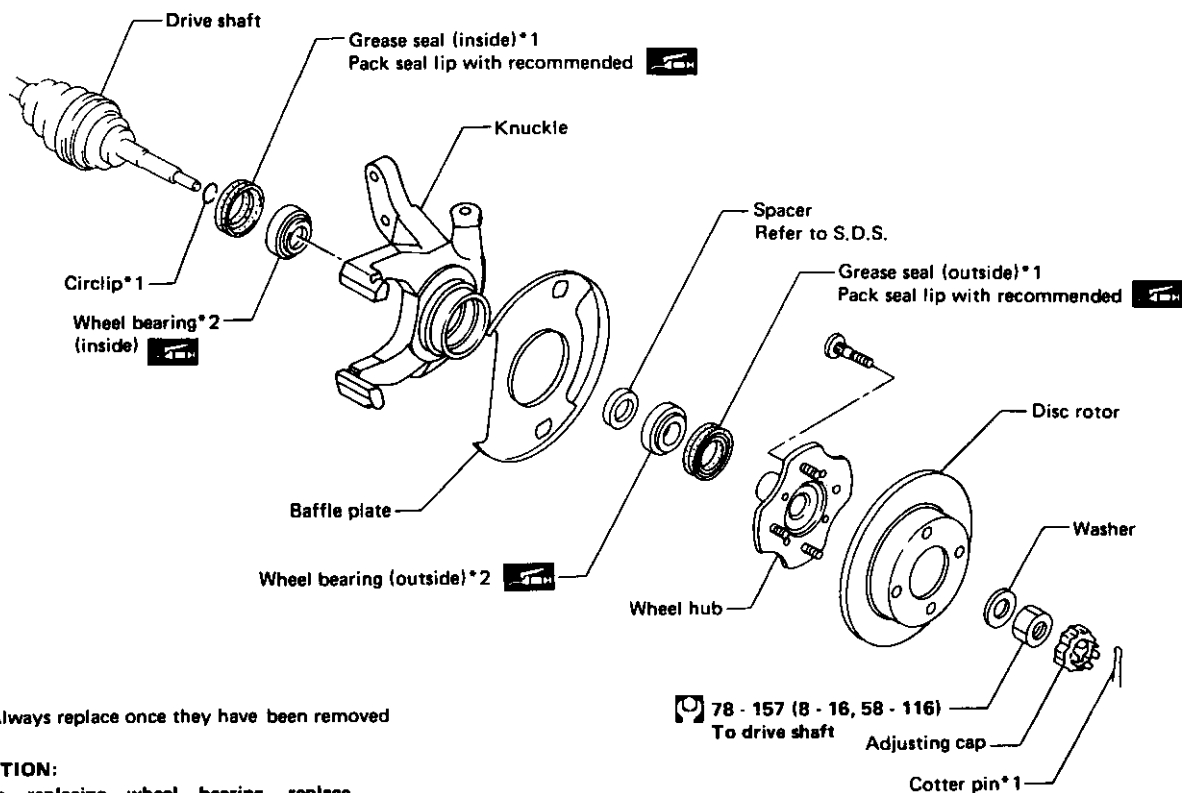
3. If engine had been operating at high rpm for an extended period of time, let it idle for a few minutes prior to shutting it off.

HOW TO USE THIS MANUAL

1. A **QUICK REFERENCE INDEX**, a black tab (e.g. **FA**) is provided on the first page. You can quickly find the first page of each section by matching it to the section's black tab.
2. **THE CONTENTS** are listed on the first page of each section.
3. **THE TITLE** is indicated on the upper portion of each page and shows the part or system.
4. **THE PAGE NUMBER** of each section consists of two letters, which designate the particular section, and a number (e.g. "FA-5").
5. **THE FIRST LARGE ILLUSTRATION** of each section is an exploded view (See below) and contains tightening torques, lubrication points and other information necessary to perform repairs. The illustration should be used in reference to the service matters only when ordering parts, refer to the appropriate **PARTS CATALOG**.

"Example"

FRONT AXLE — Wheel Hub and Knuckle



SFA494

HOW TO USE THIS MANUAL

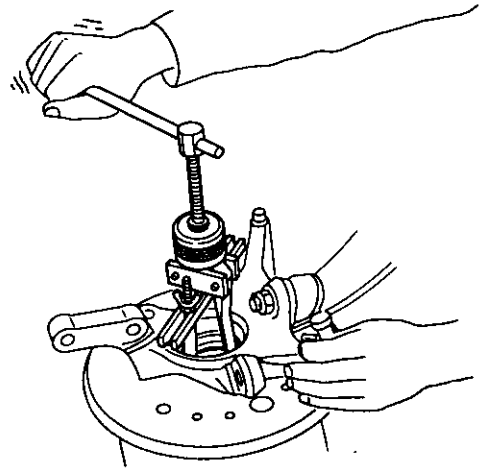
6. THE FOLLOWING SMALL ILLUSTRATION shows the important steps such as inspection, use of special tools, knacks of work and hidden or tricky steps which are not shown in the previous large illustration.

Assembly, inspection and adjustment procedures for the complicated units such as the automatic transaxle or transmission, etc. are presented in a step-by-step format where necessary.

“Example”

KNUCKLE

- Remove wheel bearing outer races. When replacing wheel bearing, replace as a set of outer and inner wheel bearing assembly.



SFA540

7. The followings **SYMBOLS AND ABBREVIATIONS** are used:



: Tightening Torque



: Should be lubricated with grease.
Unless otherwise indicated, use recommended multi-purpose grease.



: Should be lubricated with oil.



: Sealing point



: Checking point



: Always replace after every disassembly.

S.D.S.: Service Data and Specifications

L.H., R.H.: Left-Hand, Right-Hand

M/T: Manual Transaxle/Transmission

A/T: Automatic Transaxle/Transmission

Tool: Special Service Tools

8. The **UNIT** given in this manual are primarily expressed with the SI UNIT (International System of Unit), and alternately expressed in the metric system and in the yard/pound system.

“Example”

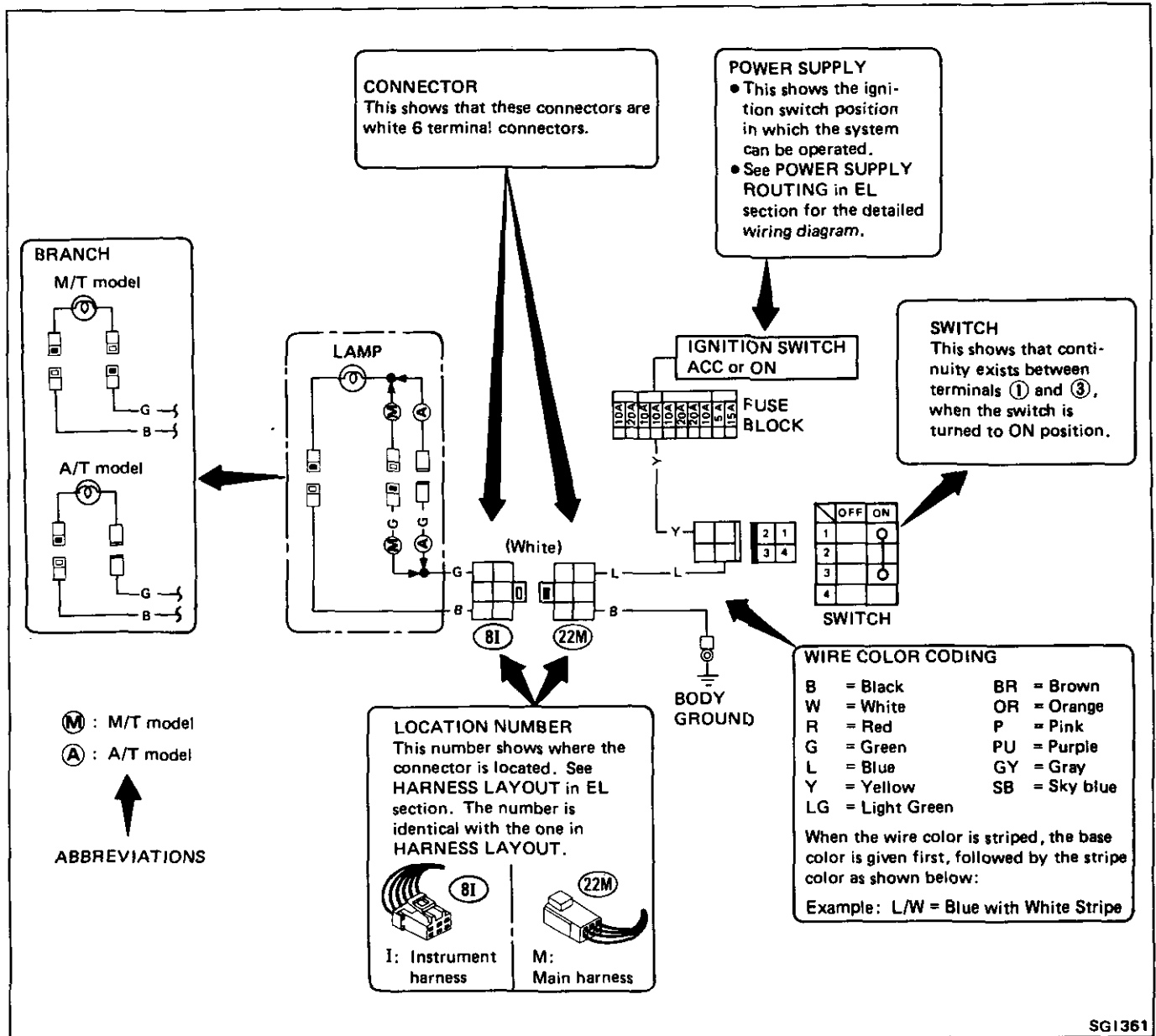
Tightening torque

59 - 78 N·m (6.0 - 8.0 kg·m, 43 - 58 ft·lb)

HOW TO USE THIS MANUAL

9. Symbols used in WIRING DIAGRAM are shown below.

"Example"



SG1361

10. TROUBLE DIAGNOSES AND CORRECTIONS are included in sections dealing with complicated components.
11. SERVICE DATA AND SPECIFICATIONS and a list of SPECIAL SERVICE TOOLS are contained at the end of each section for quick reference of data and special tools.
12. The captions WARNING and CAUTION warn you of steps that must be followed to prevent personal injury and/or damage to some part of the vehicle.

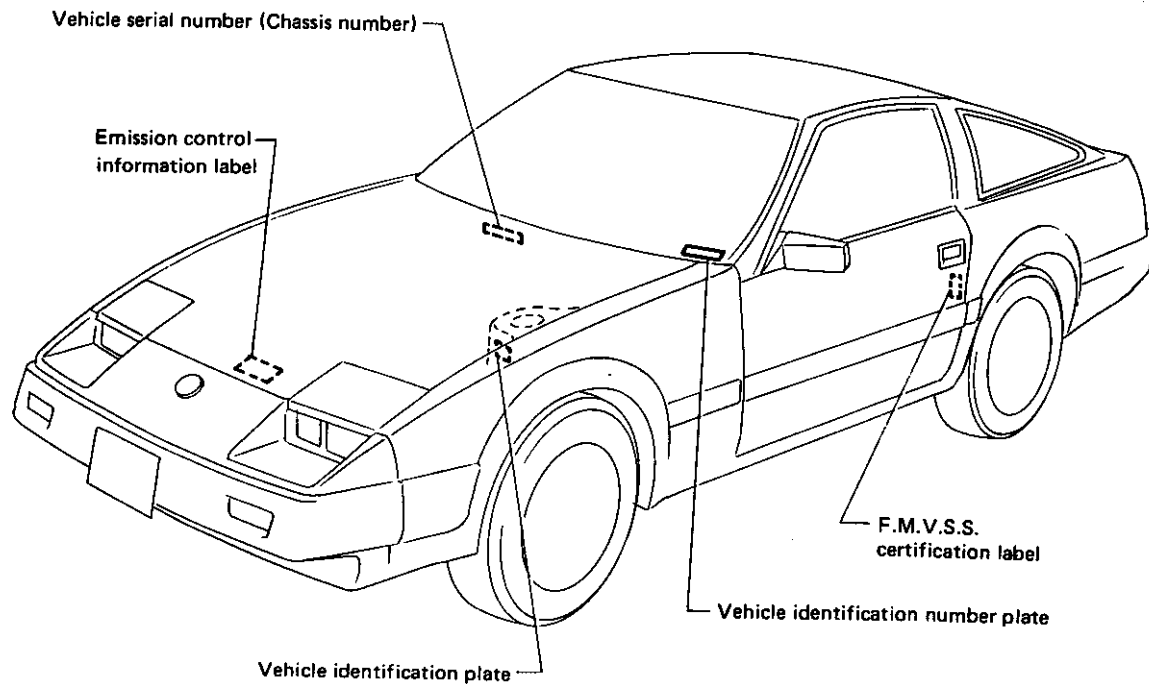
IDENTIFICATION INFORMATION

Model Variation

Body	Desti- nation	Model		Engine	Transmis- sion	Differential carrier	Road wheel*1 size ... offset mm (in)	Tire size	
Standard roof	U.S.A.	Non-California	2 seater	GL	HL-JU	VG30E	R200	6-1/2JJ-15 ... 20 (0.79)	P215/ 60R15 90H
					HL-JAU				
KHL-JU					FS5W71C				
KHL-JAU					E4N71B				
GLL				KHL-XU	FS5W71C				
				KHL-XAU	E4N71B				
T-bar roof		GL	KHL-JTU	VG30ET	FS5R30A	7-JJ-16 ... 30 (1.18)	225/50VR16		
					E4N71B				
			GLL		KHL-XTU			FS5R30A	
					KHL-XATU			E4N71B	
2+2 seater		GL	KHLG-JU	VG30E	FS5W71C	6-1/2JJ-15 ... 20 (0.79)	P215/ 60R15 90H		
			KHLG-JAU		E4N71B				
	GLL	KHLG-XU	FS5W71C						
		KHLG-XAU	E4N71B						
Standard roof	California	2 seater	GL	HL-JV	VG30E	R200	6-1/2JJ-15 ... 20 (0.79)	P215/ 60R15 90H	
				HL-JAV					E4N71B
KHL-JV				FS5W71C					
KHL-JAV				E4N71B					
GLL			KHL-XV	FS5W71C					
			KHL-XAV	E4N71B					
T-bar roof		GL	KHL-JTV	VG30ET	FS5R30A	7-JJ-16 ... 30 (1.18)	225/50VR16		
			KHL-JATV		E4N71B				
		GLL	KHL-XTV		FS5R30A				
			KHL-XATV		E4N71B				
2+2 seater		GL	KHLG-JV	VG30E	FS5W71C	6-1/2JJ-15 ... 20 (0.79)	P215/ 60R15 90H		
			KHLG-JAV		E4N71B				
	GLL	KHLG-XV	FS5W71C						
		KHLG-XAV	E4N71B						

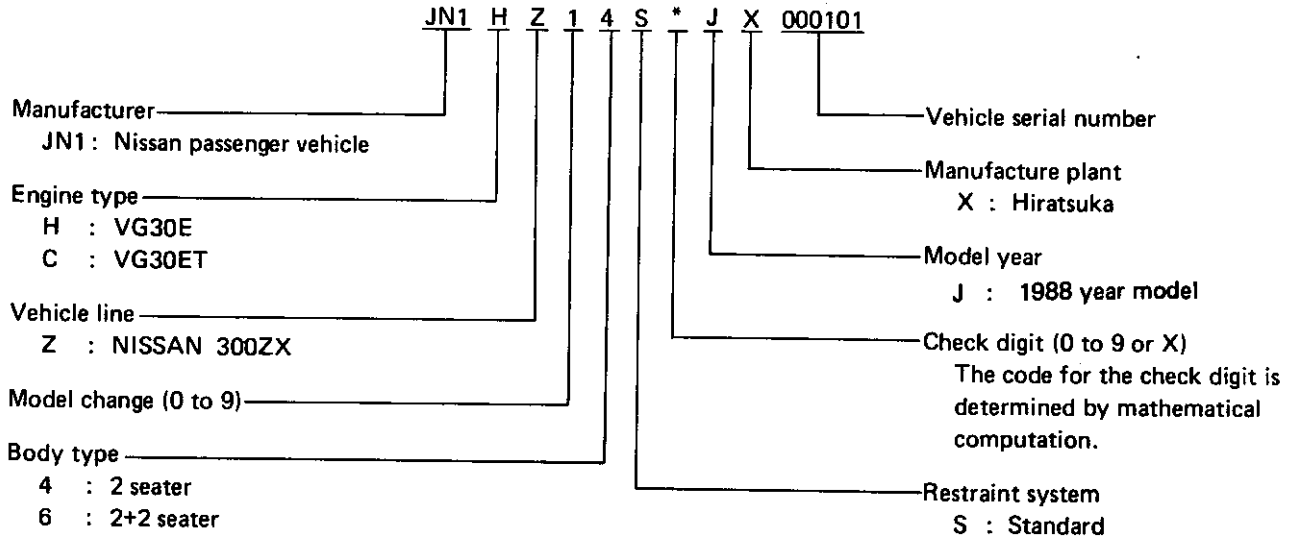
IDENTIFICATION INFORMATION

Identification Number



SG1341

VEHICLE IDENTIFICATION NUMBER ARRANGEMENT



The production of the 1988 NISSAN 300ZX starts with the following vehicle identification numbers.

JN1HZ14S*JX270007

JN1CZ14S*JX200008

JN1HZ16S*JX200007

JN1CZ16S*JX040002

*: Check digit (0 to 9 or X)

IDENTIFICATION INFORMATION

Identification Number (Cont'd)

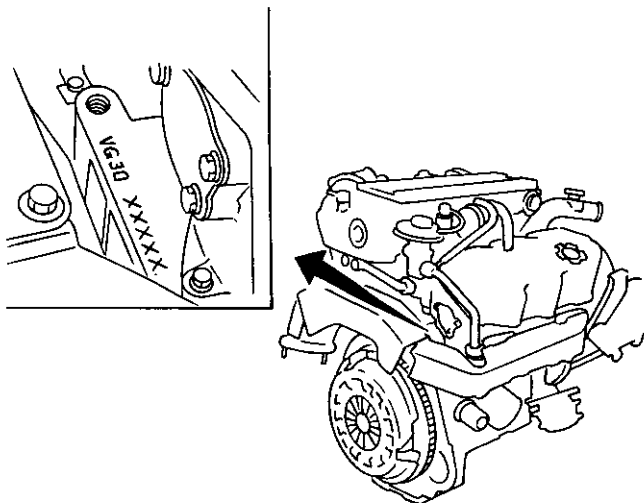
IDENTIFICATION PLATE

NISSAN MOTOR CO., LTD. JAPAN			
型式	TYPE TIPO	△ 1	
CHASSIS NO. NO DE CHASIS		△ 2	
MODEL MODELO		△ 3	
○ カラー-COLOR TRIM トリム-COLOR GUARNICION		△ 4	△ 5
エン ENGINE ジン MOTOR		△ 6	△ 7
ミッション TRANS, AXLE アクスル TRANS, EJE		△ 8	△ 9
	工場	PLANT PLANTA	
日産自動車株式会社		MADE IN JAPAN	

- 1 Type
- 2 Vehicle identification number (Chassis number)
- 3 Model
- 4 Body color code
- 5 Trim color code
- 6 Engine model
- 7 Engine displacement
- 8 Transmission model
- 9 Axle model

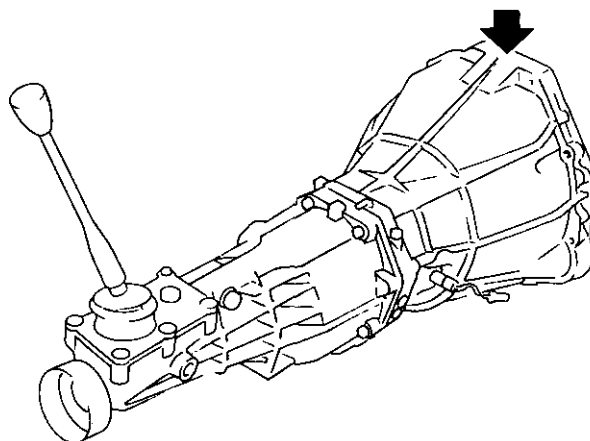
SG1315

ENGINE SERIAL NUMBER



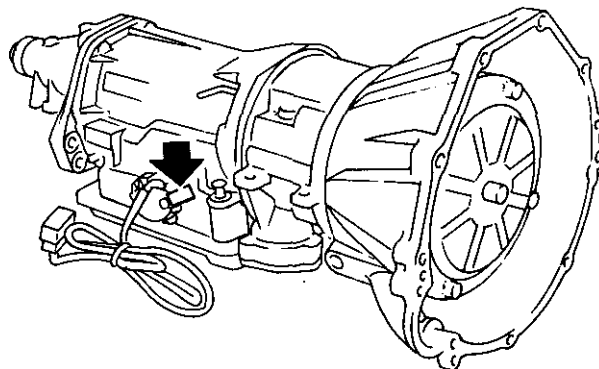
SG1279

MANUAL TRANSMISSION NUMBER



SG1274

AUTOMATIC TRANSMISSION NUMBER



SG1273

IDENTIFICATION INFORMATION

Dimensions

Item	Model		2 seater	2+2 seater
	Overall length	mm (in)	4,405 (173.4)	4,605 (181.3)
Overall width	mm (in)	1,725 (67.9)		
Overall height	mm (in)	1,295 (51.0)	1,310 (51.6)	
Wheelbase	mm (in)	2,320 (91.3)	2,520 (99.2)	
Tread	Front	mm (in)	1,455 (57.3)*1	1,435 (56.5)*2
	Rear	mm (in)	1,475 (58.1)*1	1,455 (57.3)*2
Min. ground clearance	mm (in)	150 (5.9)		
Overhang	Front	mm (in)	945 (37.2)	
	Rear	mm (in)	1,070 (42.1)	

*1: Non-turbo models

*2: Turbo models

RECOMMENDED FUEL AND LUBRICANTS

Fuel

Lubricants

Use unleaded gasoline with an octane rating of at least A.K.I. (Anti-Knock Index) number 87 (Research octane number 91).

Approximate Refill Capacities

	Liter	US measure	Imp measure
Fuel tank	72	19 gal	15-7/8 gal
Coolant			
Non-turbo model	10.5	11-1/8 qt	9-1/4 qt
Turbo model	11.0	11-5/8 qt	9-5/8 qt
Reservoir tank	0.8	7/8 qt	3/4 qt
Engine			
Refill capacity			
With oil filter change	4.0	4-1/4 qt	3-1/2 qt
Without oil filter change	3.6	3-7/8 qt	3-1/8 qt
Transmission			
M/T FS5R30A	2.4	5-1/8 pt	4-1/4 pt
FS5W71C	2.0	4-1/4 pt	3-1/2 pt
A/T	7.0	7-3/8 qt	6-1/8 qt
Final drive gear	1.3	1-3/8 qt	1-1/8 qt
Power steering system	0.9	1 qt	3/4 qt
Air conditioning system			
Refrigerant	1.0 kg	2.2 lb	2.2 lb
Compressor oil	0.15	5.1 fl oz	5.3 fl oz
Water reservoir			
Windshield & rear window	3.0	3-1/8 qt	2-5/8 qt
Headlamps	2.2	2-3/8 qt	2 qt

Lubricant	Specifications	Remarks	
Engine oil	Non-turbo engine	Genuine Nissan Motor Oil*1 or equivalent API SF (Energy Conserving Oils)*2	For further details, refer to the recommended SAE viscosity number.
	Turbo engine	Genuine Nissan Motor Oil*1 or equivalent API SF/CC or SF/CD	
Gear oil	Transmission	API GL-4	-
	Differential (exc. L.S.D.)	API GL-5	
	Limited-slip differential (L.S.D.)	Only L.S.D. gear oil: API GL-5 and SAE 80W-90*3 approved for Nissan L.S.D.*4	
Automatic-T/M fluid	Genuine Nissan ATF*1 or equivalent Type DEXRON®	-	
Power steering fluid	Type DEXRON®	-	
Multi-purpose grease	NLGI No. 2	Lithium soap base	
Brake and clutch fluid	Genuine Nissan Brake Fluid*1 or equivalent DOT 3	US FMVSS No. 116	
Anti-freeze	-	Ethylene glycol base	

*1: Available in mainland U.S.A. through your Nissan dealer

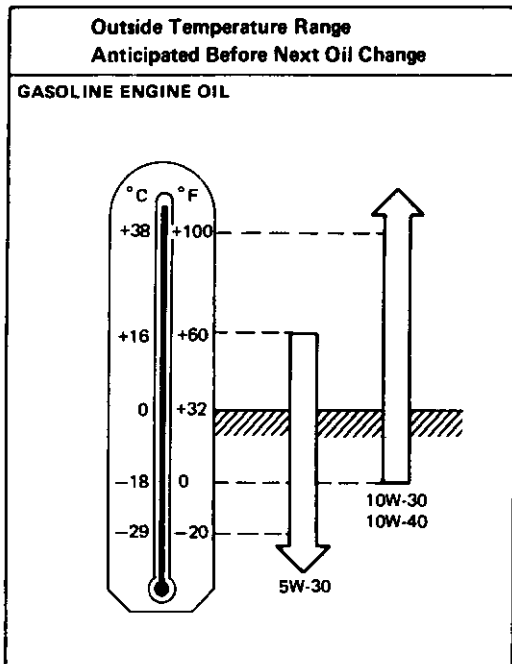
*2: These oils can be identified by such labels as energy conserving, energy saving, improved fuel economy, etc.

*3: SAE 90 is acceptable in temperatures above -18°C (0°F).

*4: Contact your Nissan dealer for a list of approved oils.

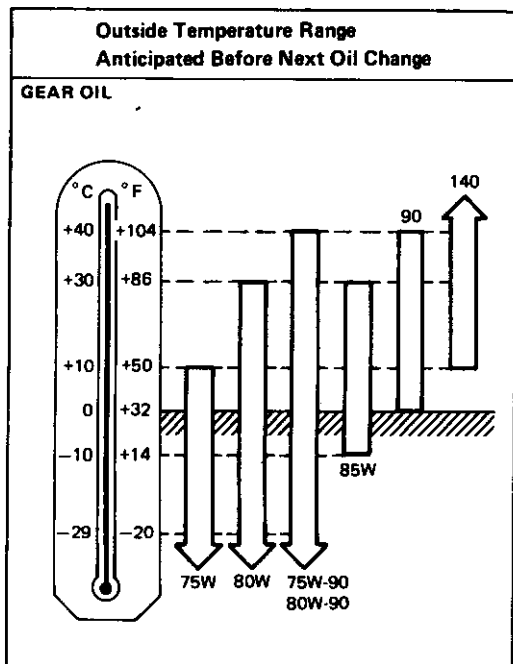
RECOMMENDED FUEL AND LUBRICANTS

SAE Viscosity Number



T10002

10W-30 is preferable if the ambient temperature is above -18°C (0°F). 20W-40 and 20W-50 are usable if the ambient temperature is above 10°C (50°F) for all seasons.



T10003

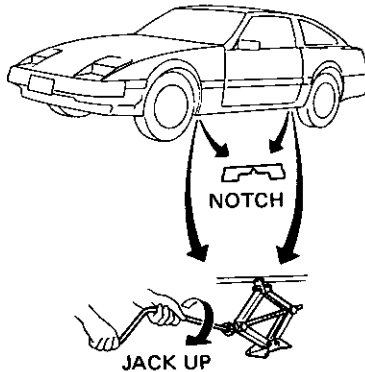
75W-90 for transmission and 80W-90 for differential are preferable if the ambient temperature is below 40°C (104°F).

LIFTING POINTS AND TOW TRUCK TOWING

WARNING:

- Never get under the vehicle while it is supported only by the jack. Always use safety stands to support the frame when you have to get under the vehicle.
- Place wheel chocks at both front and back of the wheel which is diagonally opposite the jack position. Example: If the jack is positioned at the front L.H. wheel, place wheel chocks at the rear R.H. wheel.

Pantograph Jack

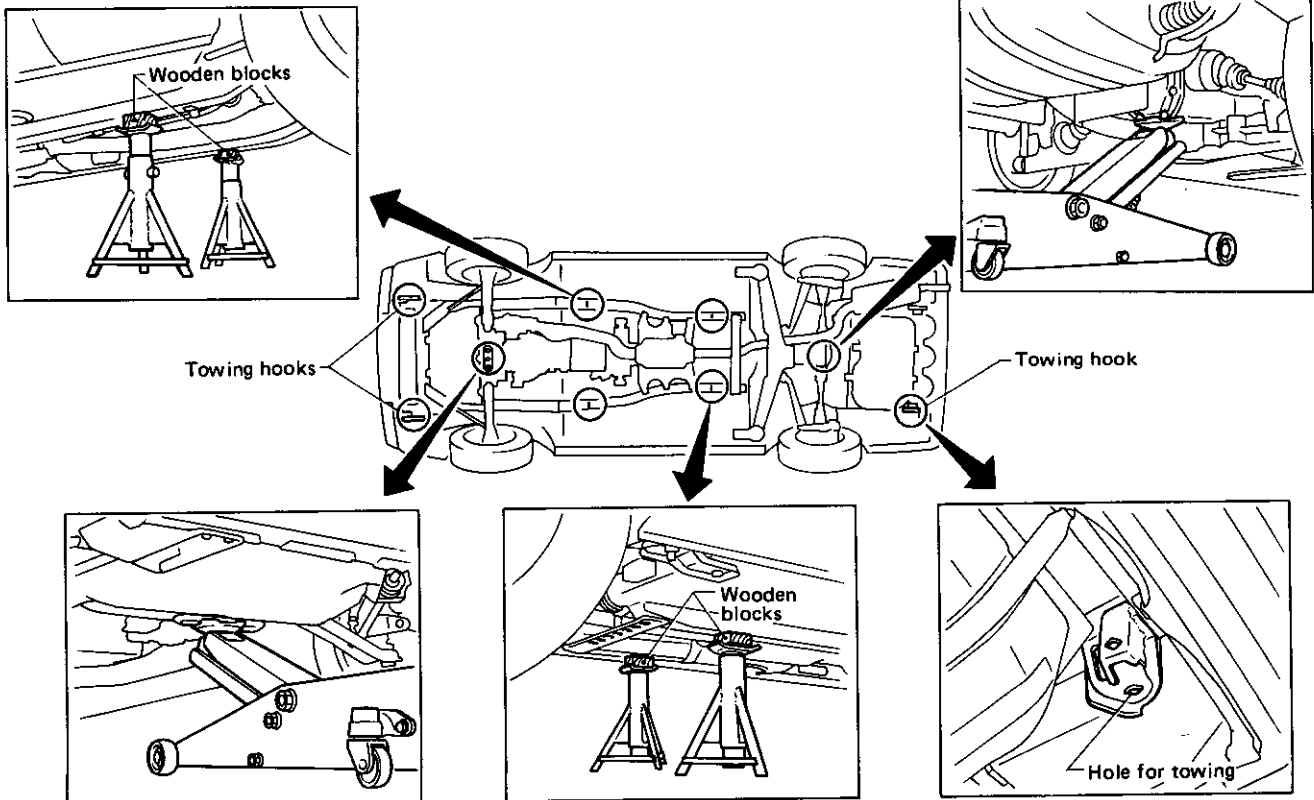


TR400

Garage Jack and Safety Stand

CAUTION:

- Place a wooden or rubber block between safety stand and vehicle body when the supporting body is flat.



SG1397

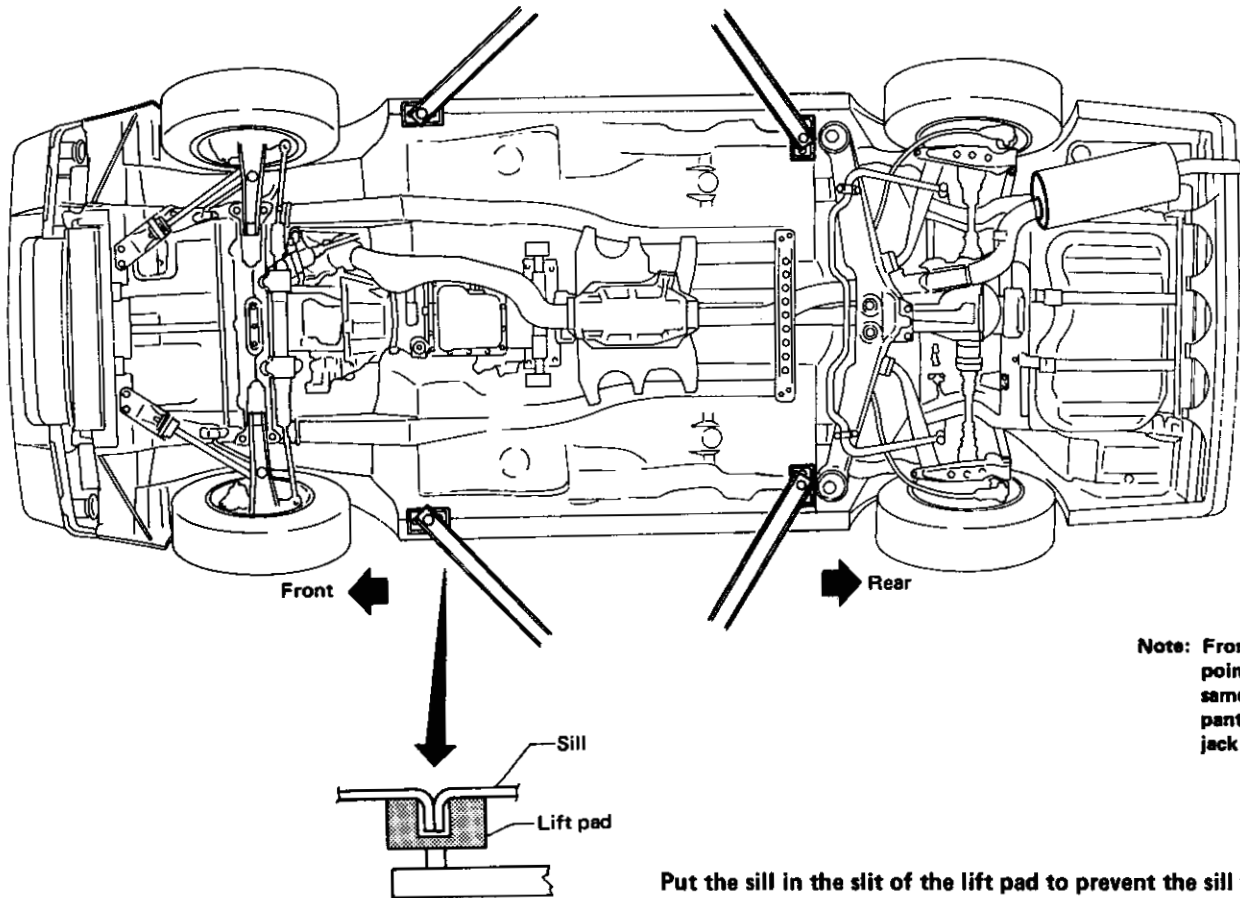
LIFTING POINTS AND TOW TRUCK TOWING

2-point Lift

WARNING:

When lifting the vehicle, open the lift arms as wide as possible and ensure that the front and rear of the vehicle are well balanced.

When setting the lift arm, do not allow the arm to contact the brake tubes and fuel lines.



Note: Front lift-up points are the same as pantagraph jack points.

Put the sill in the slit of the lift pad to prevent the sill from deforming. If the pad does not have the slit, prepare a suitable attachment with slit.

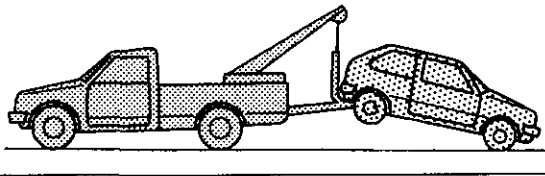
SG1483

LIFTING POINTS AND TOW TRUCK TOWING

Tow Truck Towing

CAUTION:

- All applicable State or Provincial (in Canada) laws and local laws regarding the towing operation must be obeyed.
- It is necessary to use proper towing equipment to avoid possible damage to the vehicle during a towing operation.
Towing should be done in accordance with Towing Procedure Manual.
- Attach safety chains for all towing.
- When towing, make sure that the transmission, steering system and power train are in good order. If any unit is damaged, a dolly must be used.
- When towing with the front wheels on the ground:
Turn the ignition key to the "OFF" position and secure the steering wheel in a straight-ahead position with a rope or similar device. Never place the ignition key in the "LOCK" position. This will result in damage to the steering lock mechanism.
- When towing with the rear wheels on the ground, release the parking brake and move the gearshift lever to neutral ("N" position).
- Do not tow your vehicle by the front end.



SG1494

NISSAN recommends that vehicle be towed with the driving (rear) wheels off the ground as illustrated.

TOWING AN AUTOMATIC TRANSMISSION MODEL WITH FOUR WHEELS ON GROUND OR TOWING WITH FRONT WHEELS RAISED (With rear wheels on ground)

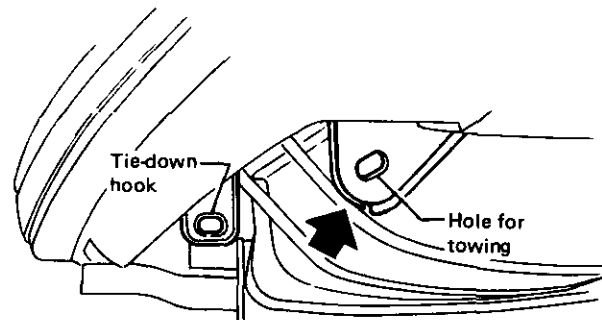
Observe the following restricted towing speeds and distance

Speed	km/h (MPH)	Below 50 (30)
Distance	km (miles)	Less than 65 (40)

If the speed or distance must be greater, remove the propeller shaft beforehand to prevent damage to the transmission.

TOWING POINT

Rear



SG1479

- Never tow the vehicle using only the towing hooks. Use proper towing equipment when towing. Otherwise, the vehicle body will be damaged.
- Always pull the cable straight out from the vehicle. Never pull on the hook at a sideways angle.

TIGHTENING TORQUE OF STANDARD BOLTS

Grade	Bolt size	Bolt diameter* mm	Pitch mm	Tightening torque (Without lubricant)					
				Hexagon head bolt			Hexagon flange bolt		
				N·m	kg·m	ft·lb	N·m	kg·m	ft·lb
4T	M6	6.0	1.0	5.1	0.52	3.8	6.1	0.62	4.5
	M8	8.0	1.25	13	1.3	9	15	1.5	11
			1.0	13	1.3	9	16	1.6	12
	M10	10.0	1.5	25	2.5	18	29	3.0	22
			1.25	25	2.6	19	30	3.1	22
	M12	12.0	1.75	42	4.3	31	51	5.2	38
			1.25	46	4.7	34	56	5.7	41
M14	14.0	1.5	74	7.5	54	88	9.0	65	
7T	M6	6.0	1.0	8.4	0.86	6.2	10	1.0	7
	M8	8.0	1.25	21	2.1	15	25	2.5	18
			1.0	22	2.2	16	26	2.7	20
	M10	10.0	1.5	41	4.2	30	48	4.9	35
			1.25	43	4.4	32	51	5.2	38
	M12	12.0	1.75	71	7.2	52	84	8.6	62
			1.25	77	7.9	57	92	9.4	68
M14	14.0	1.5	127	13.0	94	147	15.0	108	
9T	M6	6.0	1.0	12	1.2	9	15	1.5	11
	M8	8.0	1.25	29	3.0	22	35	3.6	26
			1.0	31	3.2	23	37	3.8	27
	M10	10.0	1.5	59	6.0	43	70	7.1	51
			1.25	62	6.3	46	74	7.5	54
	M12	12.0	1.75	98	10.0	72	118	12.0	87
			1.25	108	11.0	80	137	14.0	101
M14	14.0	1.5	177	18.0	130	206	21.0	152	

1. Special parts are excluded.
2. This standard is applicable to bolts having the following marks embossed on the bolt head.

Grade	Mark
4T	4
7T	7
9T	9

*: Nominal diameter

