

# AUTOMATIC TRANSMISSION

## SECTION **AT**

### CONTENTS

<b>PREPARATION AND PRECAUTIONS</b> .....	2	Oil Channel — RE4R03A .....	107
Special Service Tools .....	2	Locations of Needle Bearings, Thrust Washers and Snap Rings — RE4R01A .....	108
Service Notice .....	3	Locations of Needle Bearings, Thrust Washers and Snap Rings — RE4R03A .....	109
Supplemental Restraint System "AIR BAG" .....	4	<b>DISASSEMBLY</b> .....	110
<b>DESCRIPTION</b> .....	5	Disassembly .....	110
Cross-Sectional View .....	5	<b>REPAIR FOR COMPONENT PARTS</b> .....	121
Hydraulic Control Circuits .....	6	Oil Pump.....	121
Shift Mechanism.....	7	Control Valve Assembly .....	125
Control System.....	9	Control Valve Upper Body.....	131
<b>TROUBLE DIAGNOSES</b> .....	11	Control Valve Lower Body.....	136
Contents.....	11	Reverse Clutch.....	138
<b>TROUBLE DIAGNOSES — A/T Shift Lock System</b> .....	88	High Clutch.....	142
Contents.....	88	Forward and Overrun Clutches.....	144
<b>ON-VEHICLE SERVICE</b> .....	97	Low & Reverse Brake.....	148
Control Valve Assembly and Accumulators		Forward Clutch Drum Assembly — RE4R01A .....	152
Inspection .....	97	Forward Clutch Drum Assembly — RE4R03A.....	155
Revolution Sensor Replacement.....	98	Rear Internal Gear and Forward Clutch Hub .....	158
Rear Oil Seal Replacement.....	98	Band Servo Piston Assembly .....	161
Parking Components Inspection .....	98	Parking Pawl Components .....	165
Inhibitor Switch Adjustment .....	99	<b>ASSEMBLY</b> .....	167
Manual Control Linkage Adjustment .....	99	Assembly (1) .....	167
Kickdown Switch Adjustment .....	99	Adjustment .....	172
<b>REMOVAL AND INSTALLATION</b> .....	100	Assembly (2) .....	176
Removal.....	100	<b>SERVICE DATA AND SPECIFICATIONS (SDS)</b> .....	186
Installation.....	100	General Specifications.....	186
<b>MAJOR OVERHAUL</b> .....	102	Specifications and Adjustment — RE4R01A.....	186
RE4R01A .....	102	Specifications and Adjustment — RE4R03A.....	190
RE4R03A .....	104		
Oil Channel — RE4R01A .....	106		

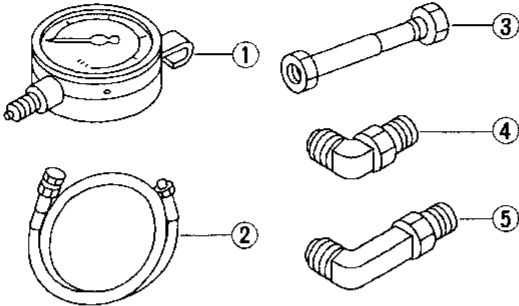
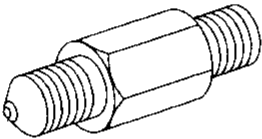
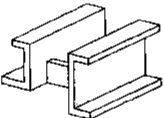
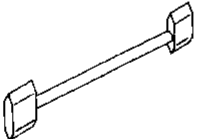
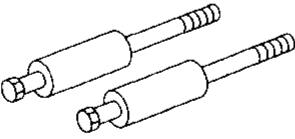
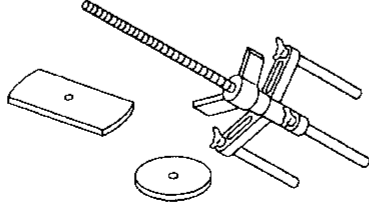
**When you read wiring diagrams:**

- Read GI section, "HOW TO READ WIRING DIAGRAMS".
  - See EL section, "POWER SUPPLY ROUTING" for power distribution circuit.
- When you perform trouble diagnoses, read GI section, "HOW TO FOLLOW FLOW CHART IN TROUBLE DIAGNOSES".

GI  
MA  
EM  
LC  
EF &  
EC  
FE  
CL  
MT  
AT  
PD  
FA  
RA  
BR  
ST  
BF  
HA  
EL  
IX

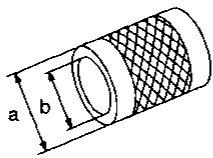
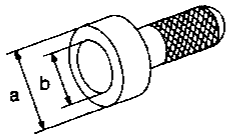
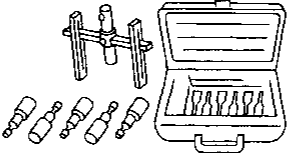
# PREPARATION AND PRECAUTIONS

## Special Service Tools

Tool number (Kent-Moore No.) Tool name	Description
ST2505S001 (J25695-A) Oil pressure gauge set ① ST25051001 ( — ) Oil pressure gauge ② ST25052000 ( — ) Hose ③ ST25053000 ( — ) Joint pipe ④ ST25054000 ( — ) Adapter ⑤ ST25055000 ( — ) Adapter	Measuring line pressure  NT097
KV31101201 ( — ) Oil pressure gauge adapter	Measuring line pressure  NT093
ST07870000 (J37068) Transmission case stand	Disassembling and assembling A/T  NT094
KV31102100 (J37065) Torque converter one- way clutch check tool	Checking one-way clutch in torque con- verter  NT098
ST25850000 (J25721-A) Sliding hammer	Removing oil pump assembly  NT095
KV31102400 (J34285 and J34285-87) Clutch spring compressor	Removing and installing clutch return springs  NT096

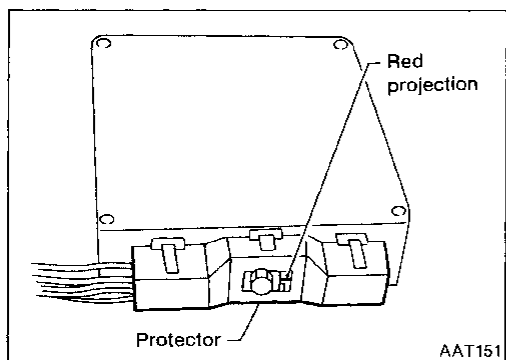
# PREPARATION AND PRECAUTIONS

## Special Service Tools (Cont'd)

Tool number (Kent-Moore No.) Tool name	Description	
ST33200000 (J26082) Drift		Installing oil pump housing oil seal Installing rear oil seal  <b>a: 60 mm (2.36 in) dia.</b> <b>b: 44.5 mm (1.752 in) dia.</b>
ST30720000 (J34331) Drift		Installing rear oil seal  <b>a: 77 mm (3.03 in) dia.</b> <b>b: 55.5 mm (2.185 in) dia.</b>
(J34291) Shim setting gauge set		Selecting oil pump cover bearing race and oil pump thrust washer

### Service Notice

- Before proceeding with disassembly, thoroughly clean the outside of the transmission. It is important to prevent the internal parts from becoming contaminated by dirt or other foreign matter.
- Disassembly should be done in a clean work area.
- Use lint-free cloth or towels for wiping parts clean. Common shop rags can leave fibers that could interfere with the operation of the transmission.
- When disassembling parts, place them in order in a parts rack so that they can be put back into the unit in their proper positions.
- All parts should be carefully cleaned with a general purpose, non-flammable solvent before inspection or reassembly.
- Gaskets, seals and O-rings should be replaced any time the transmission is disassembled.
- When connecting A/T control unit harness connector, tighten bolt until red projection is in-line with connector.



- It is very important to perform functional tests whenever they are indicated.
- The valve body contains precision parts and requires extreme care when parts are removed and serviced. Place removed parts in order on a parts rack so they can be put back in the valve body in the same positions and sequences. Care will also prevent springs and small parts from becoming scattered or lost.
- Properly installed valves, sleeves, plugs, etc. will slide along their bores in the valve body under their own weight.
- Before assembly, apply a coat of recommended ATF to all parts. Petroleum jelly may be applied to O-rings and seals and used to hold small bearings and washers in place during reassembly. Do not use grease.
- Extreme care should be taken to avoid damage to O-rings, seals and gaskets when assembling.
- During overhaul, if excessive foreign material is found in the oil pan or clogging the strainer, flush or replace ATF cooler as required. Refer to TROUBLE DIAGNOSES Remarks, AT-17.
- After overhaul, refill the transmission with new ATF.
- Even when the drain plug is removed, the old A/T fluid will remain in the torque converter and the A/T fluid cooling system. Always follow the procedures under "Changing A/T Fluid" in the MA section when changing A/T fluid.

### Supplemental Restraint System “AIR BAG”

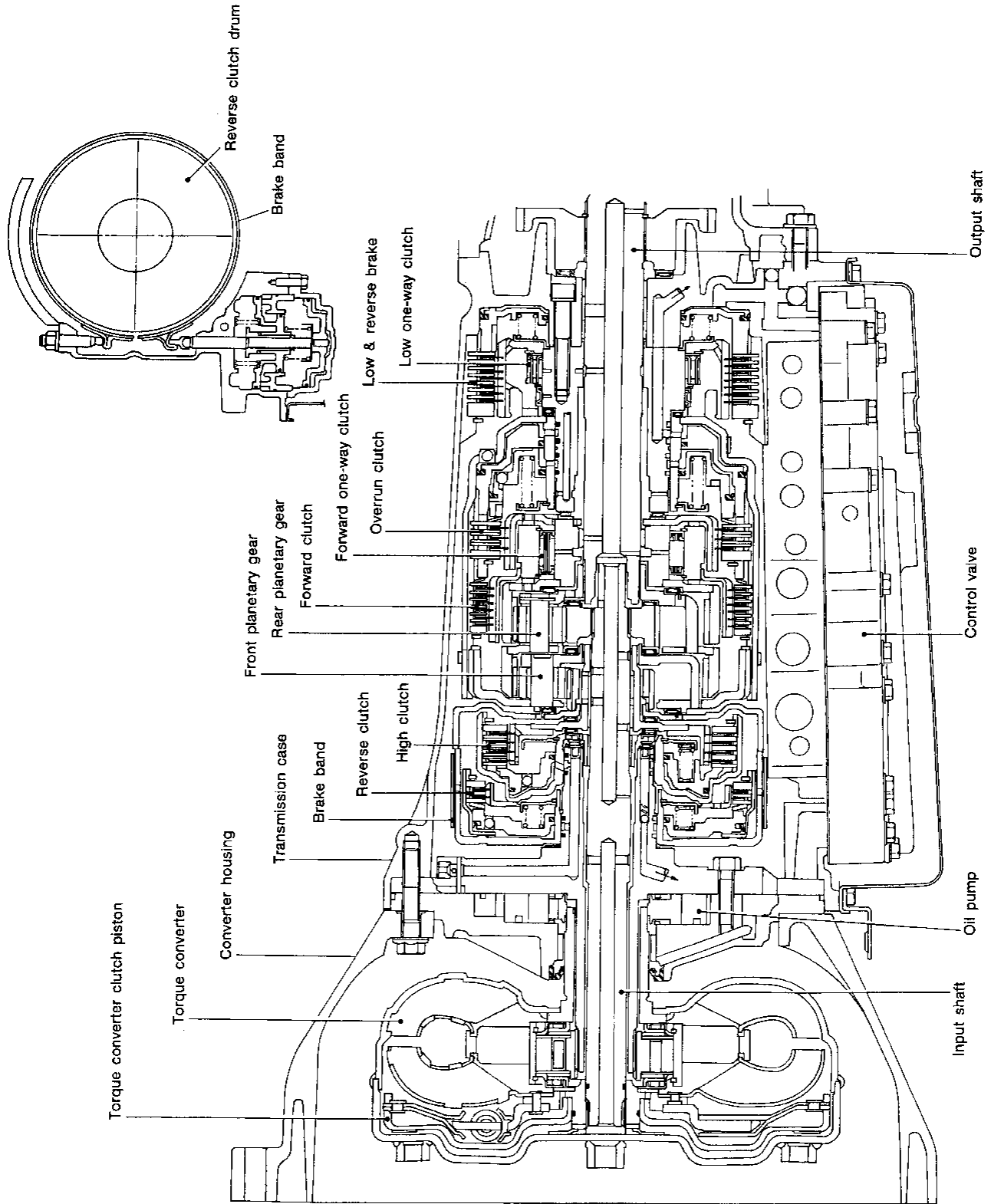
The Supplemental Restraint System “Air Bag” helps to reduce the risk or severity of injury to the driver and front passenger in a frontal collision. The Supplemental Restraint System consists of air bags (located in the center of the steering wheel and on the instrument panel on the passenger side), sensors, a diagnosis unit, warning lamp, wiring harness and spiral cable. Information necessary to service the system safely is included in the **BF section** of this Service Manual.

**WARNING:**

- **To avoid rendering the SRS inoperative, which could lead to personal injury or death in the event of a severe frontal collision, all maintenance must be performed by an authorized NISSAN dealer.**
- **Improper maintenance, including incorrect removal and installation of the SRS, can lead to personal injury caused by unintentional activation of the system.**
- **All SRS air bag electrical wiring harnesses and connectors are covered with yellow outer insulation. Do not use electrical test equipment on any circuit related to the SRS SYSTEM.**

# DESCRIPTION

## Cross-Sectional View



GI

MA

EM

LC

EF &  
EC

FE

CL

MT

**AT**

PD

FA

RA

BR

ST

BF

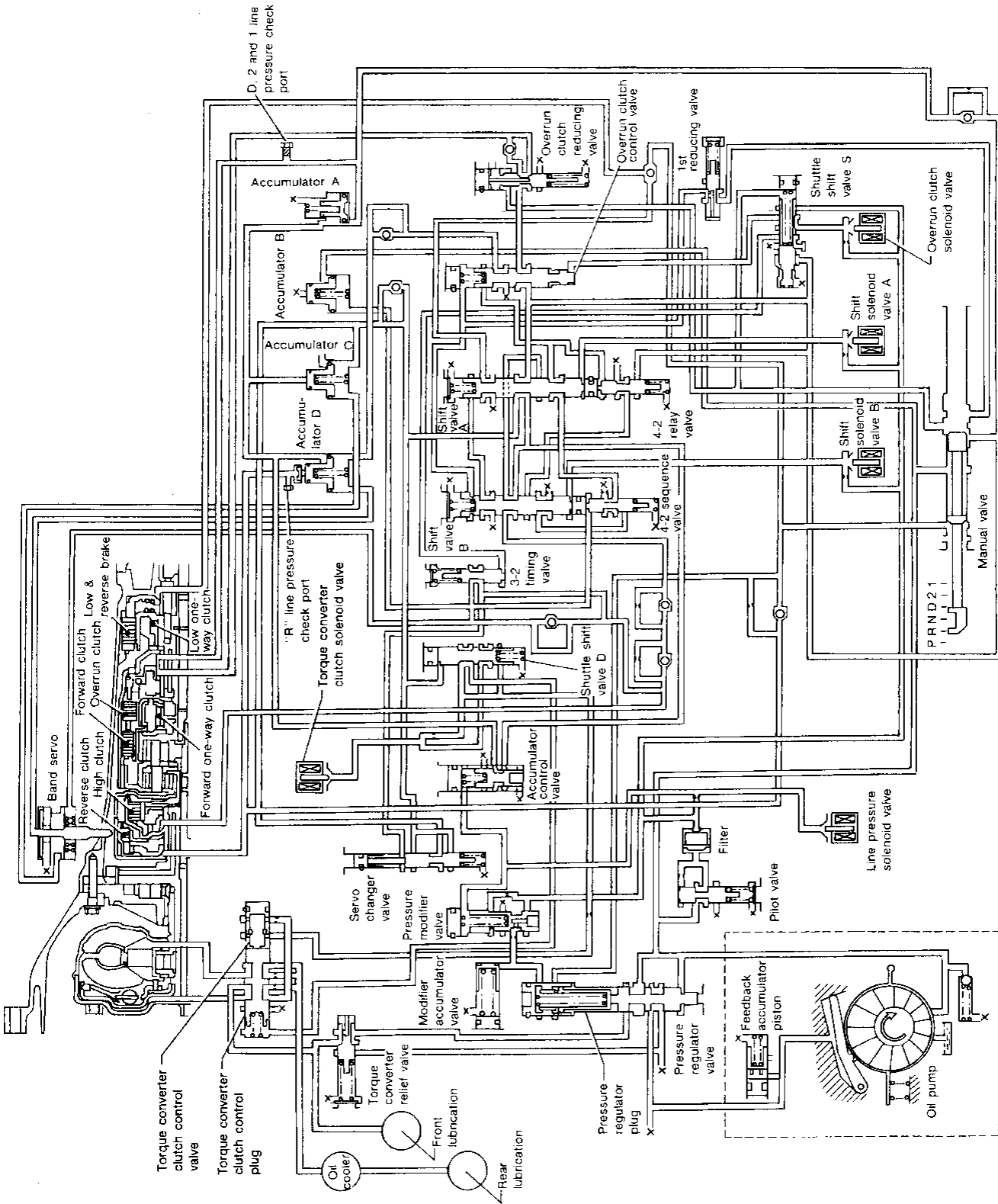
HA

EL

IDX

# DESCRIPTION

## Hydraulic Control Circuits



# DESCRIPTION

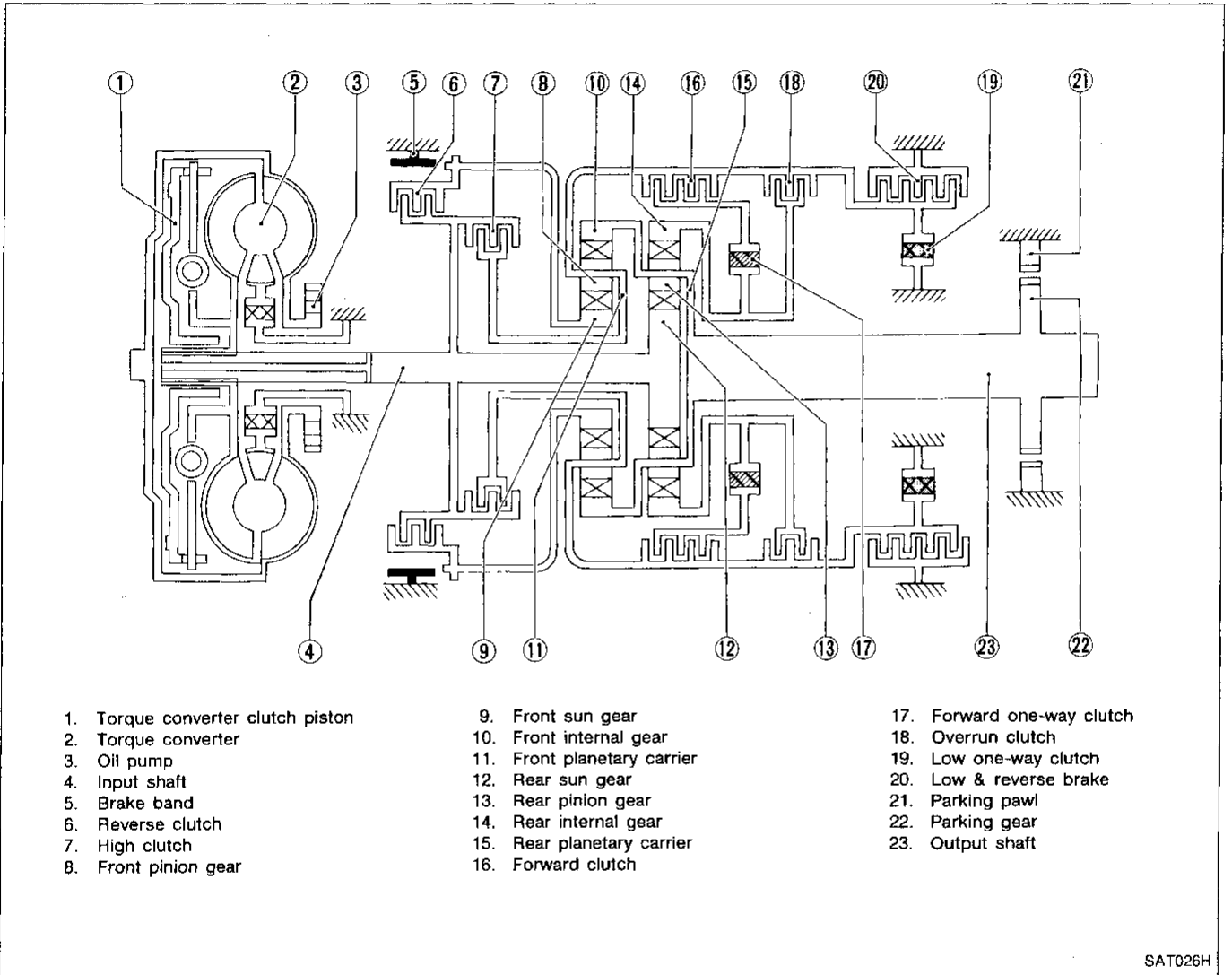
## Shift Mechanism

The RE4R03A and RE4R01A automatic transmissions use compact, dual planetary gear systems to improve power-transmission efficiency, simplify construction and reduce weight.

They also employ an optimum shift control and superwide gear ratios to improve starting performance and acceleration during medium and high-speed operation.

Two one-way clutches are also employed: one is used for the forward clutch and the other for the low clutch. These one-way clutches, combined with four accumulators, reduce shifting shock to a minimum.

## CONSTRUCTION



GI

MA

EM

LC

EF &  
EC

FE

CL

MT

AT

PD

FA

RA

BR

ST

BF

HA

EL

DX

## DESCRIPTION

### Shift Mechanism (Cont'd)

#### FUNCTION OF CLUTCH AND BRAKE

Control members	Abbr.	Function
Reverse clutch	R/C	To transmit input power to front sun gear
High clutch	H/C	To transmit input power to front planetary carrier
Forward clutch	F/C	To connect front planetary carrier with forward one-way clutch
Overrun clutch	O/C	To connect front planetary carrier with rear internal gear
Brake band	B/B	To lock front sun gear
Forward one-way clutch	F/O.C	When forward clutch is engaged, to stop rear internal gear from rotating in opposite direction.
Low one-way clutch	L/O.C	At D <sub>1</sub> position, to prevent rear internal gear from rotating in opposite direction.
Low & reverse brake	L & R/B	To lock rear internal gear (2, 1 <sub>2</sub> and 1 <sub>1</sub> ), to lock front planetary carrier (R position)

#### OPERATION OF CLUTCH AND BRAKE

Shift position	Reverse clutch	High clutch	Forward clutch	Overrun clutch	Band servo			Forward one-way clutch	Low one-way clutch	Low & reverse brake	Lock-up	Remarks
					2nd apply	3rd release	4th apply					
P												PARK POSITION
R	○									○		REVERSE POSITION
N												NEUTRAL POSITION
D *4	1st		○	⊗				●	●			Automatic shift 1 ↔ 2 ↔ 3 ↔ 4
	2nd		○	⊗	○			●				
	3rd		○	○	⊗	⊗		●				
	4th		○	⊗		⊗	○				○	
2	1st		○	⊗				●	●			Automatic shift 1 ↔ 2
	2nd		○	⊗	○			●				
1	1st		○	○				●		○		Locks (held stationary) in 1st speed 1 < 2
	2nd		○	○	○			●				

\*1 : Operates when overdrive switch to set in "OFF" operation.

\*2 : Oil pressure is applied to both 2nd "apply" side and 3rd "release" side of band servo piston. However, because oil pressure area on the "release" side is greater than that on the "apply" side, brake band does not contract.

\*3 : Oil pressure is applied to 4th "apply" side in condition \*2 above, and brake band contracts.

\*4 : A/T will not shift to 4th when overdrive switch is set to "OFF" position.

○ : Operates

⊗ : Operates when throttle opening is less than 1/16. Engine brake activates.

● : Operates during "progressive" acceleration.

⊗ : Operates but does not affect power transmission.

⊗ : Operates when throttle opening is less than 1/16 but does not affect engine brake.

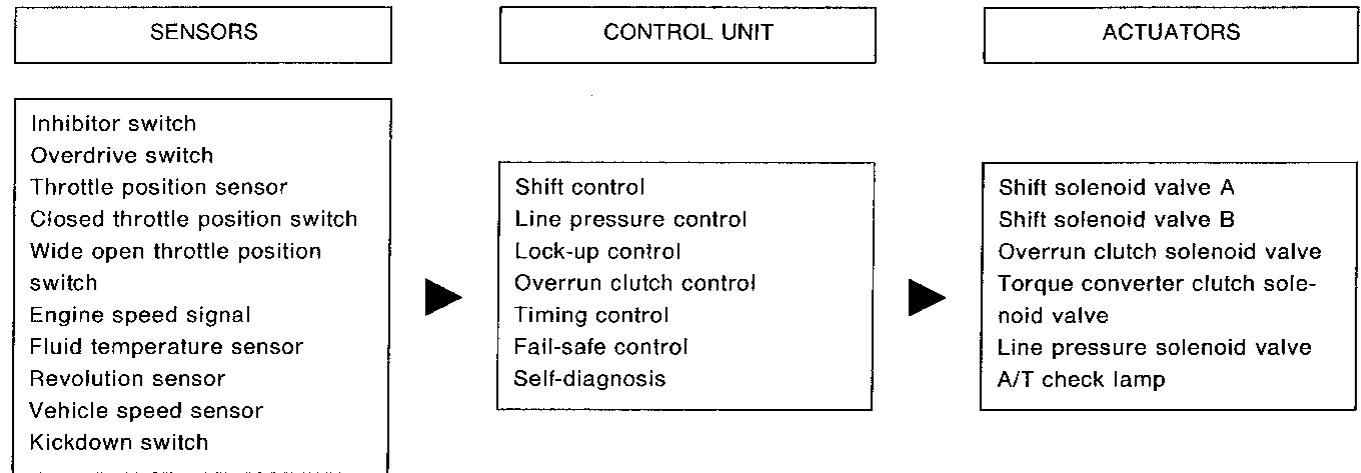


# DESCRIPTION

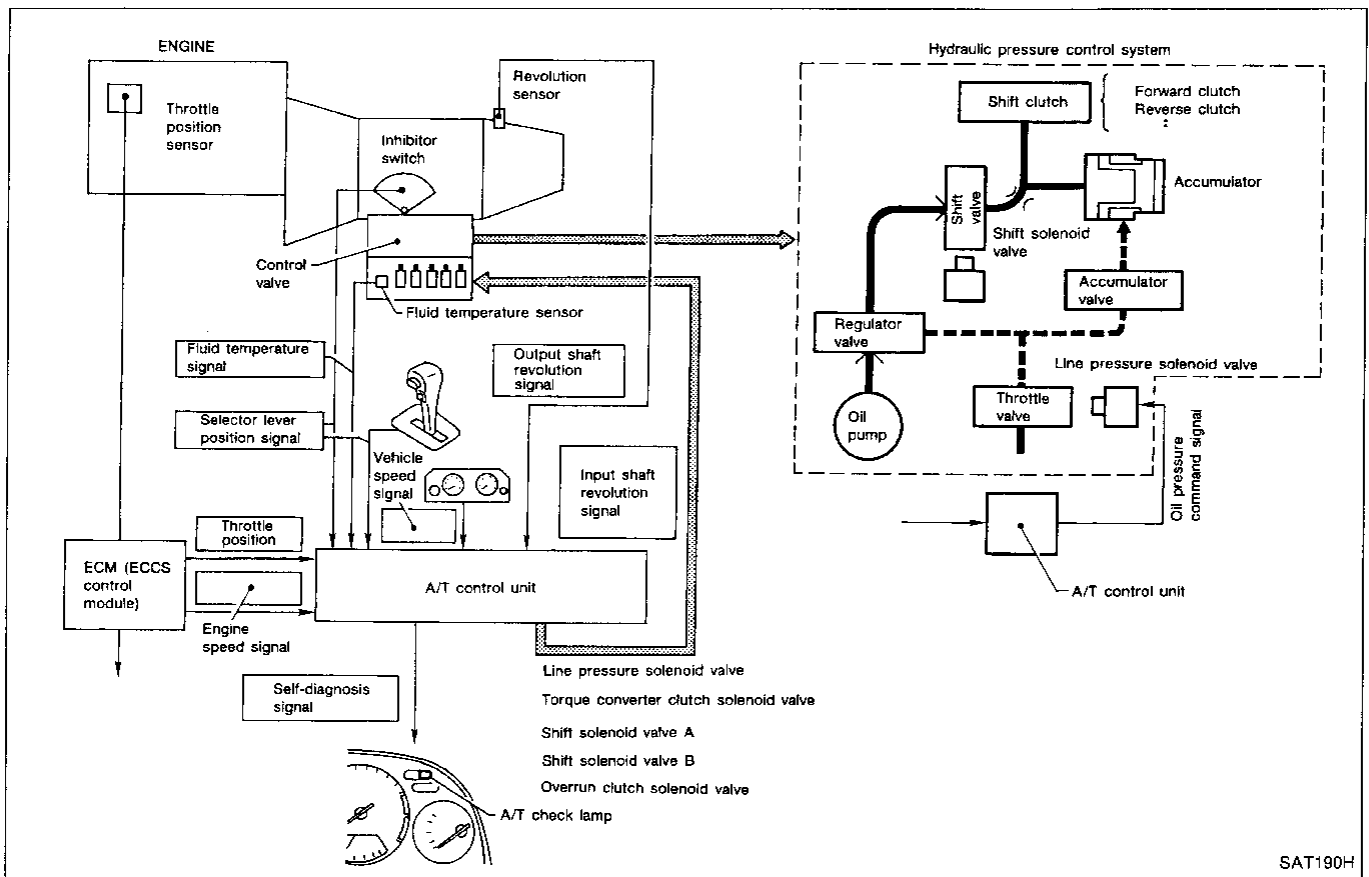
## Control System

### OUTLINE

The RE4R01A and RE4R03A automatic transmissions sense vehicle operating conditions through various sensors. They always control the optimum shift position and reduce shifting and lock-up shocks.



### CONTROL SYSTEM



## DESCRIPTION

### Control System (Cont'd)

#### A/T CONTROL UNIT FUNCTION

The A/T control unit receives signals sent from various switches and sensors, determines required line pressure, shifting point, lock-up operation, engine brake operation, and sends required signals to the respective solenoids.

#### INPUT/OUTPUT SIGNAL OF A/T CONTROL UNIT

	Sensors and solenoid valves	Function
Input	Inhibitor switch	Detects select lever position and sends a signal to A/T control unit.
	Throttle position sensor	Detects throttle valve position and sends a signal to A/T control unit.
	Closed throttle position switch	Detects throttle valve's fully-closed position and sends a signal to A/T control unit.
	Wide open throttle position switch	Detects a throttle valve position of greater than 1/2 of full throttle should throttle sensor malfunction and sends a signal to A/T control unit.
	Engine speed signal	From ECM (ECCS control module).
	Fluid temperature sensor	Detects transmission fluid temperature and sends a signal to A/T control unit.
	Revolution sensor	Detects output shaft rpm and sends a signal to A/T control unit.
	Vehicle speed sensor	Used as an auxiliary vehicle speed sensor. Sends a signal when revolution sensor (installed on transmission) malfunction.
	Kickdown switch	Detects full throttle position (accelerator pedal fully depressed). Sends a signal to A/T control unit when throttle position sensor malfunctions.
Output	Shift solenoid valve A/B	Selects shifting point suited to driving conditions in relation to a signal sent from A/T control unit.
	Line pressure solenoid valve	Regulates (or decreases) line pressure suited to driving conditions in relation to a signal sent from A/T control unit.
	Torque converter clutch solenoid valve	Regulates (or decreases) lock-up pressure suited to driving conditions in relation to a signal sent from A/T control unit.
	Overrun clutch solenoid valve	Controls an "engine brake" effect suited to driving conditions in relation to a signal sent from A/T control unit.
	A/T check lamp	The indicator lamp blinks for about 8 seconds.

# TROUBLE DIAGNOSES

## Contents

<b>How to Perform Trouble Diagnoses for Quick and Accurate Repair</b> .....	AT-13	
<b>Remarks</b> .....	AT-17	
<b>Diagnosis by CONSULT</b> .....	AT-18	GI
<b>Preliminary Check</b> .....	AT-21	
<b>A/T Electrical Parts Location</b> .....	AT-34	
<b>Circuit Diagram for Quick Pinpoint Check</b> .....	AT-35	MA
<b>Wiring Diagram</b> .....	AT-36	
<b>Self-diagnosis System</b> .....	AT-38	EM
SELF-DIAGNOSTIC PROCEDURE (With CONSULT) .....	AT-38	
SELF-DIAGNOSTIC PROCEDURE (Without CONSULT) .....	AT-38	
JUDGEMENT OF SELF-DIAGNOSIS SYSTEM CODE .....	AT-40	LC
REVOLUTION SENSOR CIRCUIT CHECK .....	AT-42	
VEHICLE SPEED SENSOR CIRCUIT CHECK .....	AT-43	EF & EC
THROTTLE POSITION SENSOR CIRCUIT CHECK .....	AT-44	
SHIFT SOLENOID VALVE A CIRCUIT CHECK .....	AT-45	
SHIFT SOLENOID VALVE B CIRCUIT CHECK .....	AT-46	
OVERRUN CLUTCH SOLENOID VALVE CIRCUIT CHECK .....	AT-47	FE
TORQUE CONVERTER CLUTCH SOLENOID VALVE CIRCUIT CHECK .....	AT-48	
FLUID TEMPERATURE SENSOR CIRCUIT AND A/T CONTROL UNIT POWER SOURCE CIRCUIT CHECKS .....	AT-49	CL
ENGINE SPEED SIGNAL CIRCUIT CHECK .....	AT-51	
LINE PRESSURE SOLENOID VALVE CIRCUIT CHECK .....	AT-52	MT
INHIBITOR, OVERDRIVE, KICKDOWN AND CLOSED THROTTLE POSITION SWITCH CIRCUIT CHECKS .....	AT-53	
<b>Diagnostic Procedure 1</b>		<b>AT</b>
(SYMPTOM: A/T CHECK lamp does not come on for about 2 seconds when turning ignition switch to "ON".) .....	AT-57	
<b>Diagnostic Procedure 2</b>		PD
(SYMPTOM: Engine cannot be started with selector lever in "P" or "N" position or engine can be started with selector lever in "D", "2", "1" or "R" position.) .....	AT-58	FA
<b>Diagnostic Procedure 3</b>		
(SYMPTOM: Vehicle moves when it is pushed forward or backward with selector lever in "P" position.) .....	AT-58	RA
<b>Diagnostic Procedure 4</b>		
(SYMPTOM: Vehicle moves forward or backward when selecting "N" position.) .....	AT-59	BR
<b>Diagnostic Procedure 5</b>		ST
(SYMPTOM: There is large shock when changing from "N" to "R" position.) .....	AT-60	
<b>Diagnostic Procedure 6</b>		BF
(SYMPTOM: Vehicle does not creep backward when selecting "R" position.) .....	AT-61	
<b>Diagnostic Procedure 7</b>		HA
(SYMPTOM: Vehicle does not creep forward when selecting "D", "2" or "1" position.) .....	AT-62	
<b>Diagnostic Procedure 8</b>		EL
(SYMPTOM: Vehicle cannot be started from D <sub>1</sub> on Cruise test — Part 1.) .....	AT-63	
<b>Diagnostic Procedure 9</b>		IDX
(SYMPTOM: A/T does not shift from D <sub>1</sub> to D <sub>2</sub> at the specified speed. A/T does not shift from D <sub>4</sub> to D <sub>2</sub> when depressing accelerator pedal fully at the specified speed.) .....	AT-64	
<b>Diagnostic Procedure 10</b>		
(SYMPTOM: A/T does not shift from D <sub>2</sub> to D <sub>3</sub> at the specified speed.) .....	AT-65	
<b>Diagnostic Procedure 11</b>		
(SYMPTOM: A/T does not shift from D <sub>3</sub> to D <sub>4</sub> at the specified speed.) .....	AT-66	

# TROUBLE DIAGNOSES

## Contents (Cont'd)

<b>Diagnostic Procedure 12</b>	
(SYMPTOM: A/T does not perform lock-up at the specified speed.) .....	AT-67
<b>Diagnostic Procedure 13</b>	
(SYMPTOM: A/T does not hold lock-up condition for more than 30 seconds.) .....	AT-68
<b>Diagnostic Procedure 14</b>	
(SYMPTOM: Lock-up is not released when accelerator pedal is released.) .....	AT-69
<b>Diagnostic Procedure 15</b>	
(SYMPTOM: Engine speed does not return to idle smoothly when A/T is shifted from D <sub>4</sub> to D <sub>3</sub> with accelerator pedal released. Vehicle does not decelerate by engine brake when changing overdrive switch to "OFF" position with accelerator pedal released. Vehicle does not decelerate by engine brake when changing selector lever from "D" to "2" position with accelerator pedal released.) .....	AT-70
<b>Diagnostic Procedure 16</b>	
(SYMPTOM: Vehicle does not start from D <sub>1</sub> on Cruise test — Part 2.) .....	AT-71
<b>Diagnostic Procedure 17</b>	
(SYMPTOM: A/T does not shift from D <sub>4</sub> on D <sub>3</sub> when changing overdrive switch to "OFF" position.) .....	AT-71
<b>Diagnostic Procedure 18</b>	
(SYMPTOM: A/T does not shift from D <sub>3</sub> on 2 <sub>2</sub> when changing selector lever from "D" to "2" position.) .....	AT-72
<b>Diagnostic Procedure 19</b>	
(SYMPTOM: A/T does not shift from 2 <sub>2</sub> to 1 <sub>1</sub> when changing selector lever from "2" to "1" position.) .....	AT-72
<b>Diagnostic Procedure 20</b>	
(SYMPTOM: Vehicle does not decelerate by engine brake when shifting from 2 <sub>2</sub> (1 <sub>2</sub> ) to 1 <sub>1</sub> .) ..	AT-73
<b>Electrical Components Inspection</b> .....	AT-73
<b>Final Check</b> .....	AT-80
<b>Symptom Chart</b> .....	AT-85

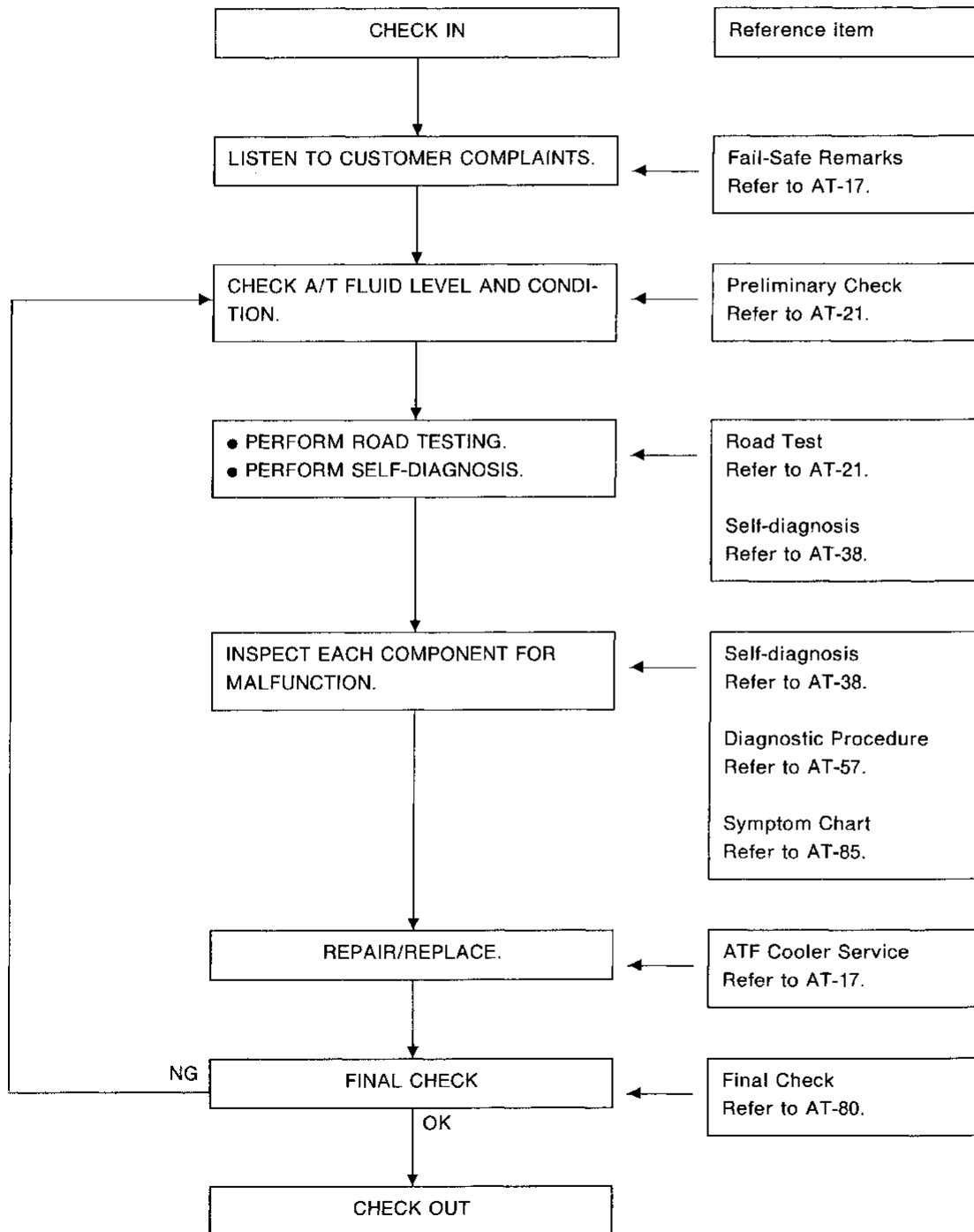
## How to Perform Trouble Diagnoses for Quick and Accurate Repair

A good understanding of the malfunctioning conditions can make troubleshooting faster and more accurate.

In general, the feeling about a problem depends on each customer. It is important to fully understand the symptoms or under what conditions a customer complains.

Make good use of the two sheets provided, "Information from customer" and "Diagnostic worksheet", in order to perform the best troubleshooting possible.

### WORK FLOW



GI

MA

EM

LC

EF &  
EC

FE

CL

MT

AT

PD

FA

RA

BR

ST

BF

HA

EL

DX



## TROUBLE DIAGNOSES

### How to Perform Trouble Diagnoses for Quick and Accurate Repair (Cont'd)

#### DIAGNOSTIC WORKSHEET

1.	<input type="checkbox"/> Read the Fail-safe Remarks and listen to customer complaints.	AT-17		
2.	<input type="checkbox"/> CHECK A/T FLUID <input type="checkbox"/> Leakage (Follow specified procedure) <input type="checkbox"/> Fluid condition <input type="checkbox"/> Fluid level	AT-21		
3.	<input type="checkbox"/> Perform all ROAD TESTING and mark required procedures.	AT-21		
	3-1 Check before engine is started. <input type="checkbox"/> SELF-DIAGNOSTIC PROCEDURE — Mark detected items. <table style="width: 100%; border: none;"> <tr> <td style="width: 50%; vertical-align: top;"> <input type="checkbox"/> 1. Revolution sensor  <input type="checkbox"/> 2. Vehicle speed sensor  <input type="checkbox"/> 3. Throttle position sensor  <input type="checkbox"/> 4. Shift-solenoid valve A  <input type="checkbox"/> 5. Shift-solenoid valve B  <input type="checkbox"/> 6. Overrun clutch solenoid valve  <input type="checkbox"/> 7. Torque converter clutch solenoid valve             </td> <td style="width: 50%; vertical-align: top;"> <input type="checkbox"/> 8. Fluid temperature sensor and A/T control unit power source  <input type="checkbox"/> 9. Engine speed signal  <input type="checkbox"/> 10. Line pressure solenoid valve  <input type="checkbox"/> 11. Battery  <input type="checkbox"/> 12. Others             </td> </tr> </table>	<input type="checkbox"/> 1. Revolution sensor <input type="checkbox"/> 2. Vehicle speed sensor <input type="checkbox"/> 3. Throttle position sensor <input type="checkbox"/> 4. Shift-solenoid valve A <input type="checkbox"/> 5. Shift-solenoid valve B <input type="checkbox"/> 6. Overrun clutch solenoid valve <input type="checkbox"/> 7. Torque converter clutch solenoid valve	<input type="checkbox"/> 8. Fluid temperature sensor and A/T control unit power source <input type="checkbox"/> 9. Engine speed signal <input type="checkbox"/> 10. Line pressure solenoid valve <input type="checkbox"/> 11. Battery <input type="checkbox"/> 12. Others	AT-22
<input type="checkbox"/> 1. Revolution sensor <input type="checkbox"/> 2. Vehicle speed sensor <input type="checkbox"/> 3. Throttle position sensor <input type="checkbox"/> 4. Shift-solenoid valve A <input type="checkbox"/> 5. Shift-solenoid valve B <input type="checkbox"/> 6. Overrun clutch solenoid valve <input type="checkbox"/> 7. Torque converter clutch solenoid valve	<input type="checkbox"/> 8. Fluid temperature sensor and A/T control unit power source <input type="checkbox"/> 9. Engine speed signal <input type="checkbox"/> 10. Line pressure solenoid valve <input type="checkbox"/> 11. Battery <input type="checkbox"/> 12. Others			
	3-2. Check at idle <input type="checkbox"/> Diagnostic Procedure 2 (Engine starts only in P and N position) <input type="checkbox"/> Diagnostic Procedure 3 (In P position, vehicle does not move when pushed) <input type="checkbox"/> Diagnostic Procedure 4 (In N position, vehicle moves when pushed) <input type="checkbox"/> Diagnostic Procedure 5 (Select shock. N → R position) <input type="checkbox"/> Diagnostic Procedure 6 (Vehicle creeps backward in R position) <input type="checkbox"/> Diagnostic Procedure 7 (Vehicle creeps forward in D, 2 or 1 position)	AT-23		
	3-3. Cruise test Part-1 <input type="checkbox"/> Diagnostic Procedure 8 (Vehicle starts from D <sub>1</sub> ) <input type="checkbox"/> Diagnostic Procedure 9 <input type="checkbox"/> Diagnostic Procedure 10 } (A/T shift schedule: D <sub>1</sub> → D <sub>2</sub> /D <sub>2</sub> → D <sub>3</sub> /D <sub>3</sub> → D <sub>4</sub> ) <input type="checkbox"/> Diagnostic Procedure 11 <input type="checkbox"/> Diagnostic Procedure 12 (Shift schedule: Lock-up) <input type="checkbox"/> Diagnostic Procedure 13 (Lock-up condition more than 30 seconds) <input type="checkbox"/> Diagnostic Procedure 14 (Lock up released) <input type="checkbox"/> Diagnostic Procedure 15 (Engine speed return to idle. Light braking D <sub>4</sub> → D <sub>3</sub> )	AT-24		

GI

MA

EM

LC

EF &  
EC

FE

CL

MT

AT

PD

FA

RA

RR

ST

BT

HA

EL

DX

## TROUBLE DIAGNOSES

### How to Perform Trouble Diagnoses for Quick and Accurate Repair (Cont'd)

	<p><b>Part-2</b></p> <ul style="list-style-type: none"> <li><input type="checkbox"/> Diagnostic Procedure 16 (Vehicle starts from D<sub>1</sub>)</li> <li><input type="checkbox"/> Diagnostic Procedure 9 (Kickdown: D<sub>4</sub> → D<sub>2</sub>)</li> <li><input type="checkbox"/> Diagnostic Procedure 10 (Shift schedule: D<sub>2</sub> → D<sub>3</sub>)</li> <li><input type="checkbox"/> Diagnostic Procedure 11 (Shift schedule: D<sub>3</sub> → D<sub>4</sub> and engine brake)</li> </ul>	AT-29														
	<p><b>Part-3</b></p> <ul style="list-style-type: none"> <li><input type="checkbox"/> Diagnostic Procedure 17 (D<sub>4</sub> → D<sub>3</sub> when OD OFF switch ON → OFF)</li> <li><input type="checkbox"/> Diagnostic Procedure 15 (Engine brake in 3<sub>3</sub>)</li> <li><input type="checkbox"/> Diagnostic Procedure 18 (D<sub>3</sub> → 2<sub>2</sub> when selector lever D → 2 position)</li> <li><input type="checkbox"/> Diagnostic Procedure 15 (Engine brake in 2<sub>2</sub>)</li> <li><input type="checkbox"/> Diagnostic Procedure 19 (2<sub>2</sub> (1<sub>2</sub>) → 1<sub>1</sub>, when selector lever 2 → 1 position)</li> <li><input type="checkbox"/> Diagnostic Procedure 20 (Engine brake in 1<sub>1</sub>)</li> <li><input type="checkbox"/> SELF-DIAGNOSTIC PROCEDURE — Mark detected items.             <table style="width: 100%; margin-left: 20px;"> <tr> <td><input type="checkbox"/> 1. Revolution sensor</td> <td><input type="checkbox"/> 8. Fluid temperature sensor and A/T control unit power source</td> </tr> <tr> <td><input type="checkbox"/> 2. Speed sensor</td> <td><input type="checkbox"/> 9. Engine speed signal</td> </tr> <tr> <td><input type="checkbox"/> 3. Throttle position sensor</td> <td><input type="checkbox"/> 10. Line pressure solenoid valve</td> </tr> <tr> <td><input type="checkbox"/> 4. Shift-solenoid valve A</td> <td><input type="checkbox"/> 11. Battery</td> </tr> <tr> <td><input type="checkbox"/> 5. Shift-solenoid valve B</td> <td><input type="checkbox"/> 12. Others</td> </tr> <tr> <td><input type="checkbox"/> 6. Overrun clutch solenoid valve</td> <td></td> </tr> <tr> <td><input type="checkbox"/> 7. Torque converter clutch solenoid valve</td> <td></td> </tr> </table> </li> </ul>	<input type="checkbox"/> 1. Revolution sensor	<input type="checkbox"/> 8. Fluid temperature sensor and A/T control unit power source	<input type="checkbox"/> 2. Speed sensor	<input type="checkbox"/> 9. Engine speed signal	<input type="checkbox"/> 3. Throttle position sensor	<input type="checkbox"/> 10. Line pressure solenoid valve	<input type="checkbox"/> 4. Shift-solenoid valve A	<input type="checkbox"/> 11. Battery	<input type="checkbox"/> 5. Shift-solenoid valve B	<input type="checkbox"/> 12. Others	<input type="checkbox"/> 6. Overrun clutch solenoid valve		<input type="checkbox"/> 7. Torque converter clutch solenoid valve		AT-30
<input type="checkbox"/> 1. Revolution sensor	<input type="checkbox"/> 8. Fluid temperature sensor and A/T control unit power source															
<input type="checkbox"/> 2. Speed sensor	<input type="checkbox"/> 9. Engine speed signal															
<input type="checkbox"/> 3. Throttle position sensor	<input type="checkbox"/> 10. Line pressure solenoid valve															
<input type="checkbox"/> 4. Shift-solenoid valve A	<input type="checkbox"/> 11. Battery															
<input type="checkbox"/> 5. Shift-solenoid valve B	<input type="checkbox"/> 12. Others															
<input type="checkbox"/> 6. Overrun clutch solenoid valve																
<input type="checkbox"/> 7. Torque converter clutch solenoid valve																
4.	<ul style="list-style-type: none"> <li><input type="checkbox"/> Perform the Diagnostic Procedures marked in ROAD TESTING. Refer to the Symptom Chart when you perform the procedures. (The chart also shows some other possible symptoms and the components inspection orders.)</li> </ul>	AT-85														
5.	<p>Perform FINAL CHECK. If NG, go back to "CHECK A/T FLUID".</p> <ul style="list-style-type: none"> <li><input type="checkbox"/> Stall test — Mark possible damaged components/others.             <table style="width: 100%; margin-left: 20px;"> <tr> <td><input type="checkbox"/> Torque converter one-way clutch</td> <td><input type="checkbox"/> Low one-way clutch</td> </tr> <tr> <td><input type="checkbox"/> Reverse clutch</td> <td><input type="checkbox"/> Engine</td> </tr> <tr> <td><input type="checkbox"/> Forward clutch</td> <td><input type="checkbox"/> Line pressure is low</td> </tr> <tr> <td><input type="checkbox"/> Overrun clutch</td> <td><input type="checkbox"/> Clutches and brakes except high clutch and brake band are OK</td> </tr> <tr> <td><input type="checkbox"/> Forward one-way clutch</td> <td></td> </tr> <tr> <td><input type="checkbox"/> Low &amp; reverse brake</td> <td></td> </tr> </table> </li> <li><input type="checkbox"/> Pressure test — Suspected parts:</li> </ul>	<input type="checkbox"/> Torque converter one-way clutch	<input type="checkbox"/> Low one-way clutch	<input type="checkbox"/> Reverse clutch	<input type="checkbox"/> Engine	<input type="checkbox"/> Forward clutch	<input type="checkbox"/> Line pressure is low	<input type="checkbox"/> Overrun clutch	<input type="checkbox"/> Clutches and brakes except high clutch and brake band are OK	<input type="checkbox"/> Forward one-way clutch		<input type="checkbox"/> Low & reverse brake		AT-80		
<input type="checkbox"/> Torque converter one-way clutch	<input type="checkbox"/> Low one-way clutch															
<input type="checkbox"/> Reverse clutch	<input type="checkbox"/> Engine															
<input type="checkbox"/> Forward clutch	<input type="checkbox"/> Line pressure is low															
<input type="checkbox"/> Overrun clutch	<input type="checkbox"/> Clutches and brakes except high clutch and brake band are OK															
<input type="checkbox"/> Forward one-way clutch																
<input type="checkbox"/> Low & reverse brake																



# TROUBLE DIAGNOSES

## Remarks

### FAIL-SAFE

The A/T control unit has an electronic Fail-Safe (limp home mode) to allow the vehicle to be driven even in the event of damage of a major electrical input or output device circuit.

In this condition, the vehicle runs in third gear in positions 1, 2 or D and will not upshift. Customer may say "Sluggish, poor acceleration".

When Fail-safe operation occurs the next time the key is turned to the ON position, the A/T check lamp will blink for about 8 seconds. (For diagnosis, refer to AT-22.)

If the vehicle is driven under extreme conditions such as excessive wheel spinning and emergency braking suddenly after, Fail-Safe may be activated even if all electrical circuits are undamaged.

In this case, normal shift pattern can be returned by turning the ignition key OFF for 3 seconds and then back ON.

The blinking of the A/T check lamp for about 8 seconds will appear only once and be cleared. The customer may resume normal driving conditions by chance.

Always follow the "WORK FLOW" (Refer to AT-13).

The SELF-DIAGNOSIS results will be as follows:

The first SELF-DIAGNOSIS will indicate the damage of the vehicle speed sensor or the revolution sensor.

During the next SELF-DIAGNOSIS performed after checking the sensor, no damages will be indicated.

### ATF COOLER SERVICE

If oil pan contains foreign matter in large quantities or if strainer is excessively clogged during A/T overhaul, service ATF cooler as follows:

- Fin type  
Replace radiator lower tank (which includes ATF cooler) with new one, then flush cooler line using cleaning solvent and compressed air.

GI

MA

EM

LC

EF &  
EC

FE

CL

MT

AT

PD

FA

RA

BR

ST

BF

HA

EL

IDX

# TROUBLE DIAGNOSES

## Diagnosis by CONSULT

### NOTICE

1. The CONSULT electrically displays shift timing and lock-up timing (that is, operation timing of each solenoid).  
When a noticeable time difference occurs between shift timing which is manifested by shift shock and the CONSULT display, mechanical parts (except solenoids, sensors, etc.) are considered to be malfunctioning. Check mechanical parts using applicable diagnostic procedures.
2. Shift schedule (which implies gear position) displayed on CONSULT and that indicated in Service Manual may differ slightly. This occurs because of the following reasons:
  - Actual shift schedule has more or less tolerance or allowance,
  - Shift schedule indicated in Service Manual refers to the point where shifts start, and gear position displayed on CONSULT indicates the point where shifts are completed.
3. Shift solenoid valve "A" or "B" is displayed on CONSULT at the start of shifting while gear position is displayed upon completion of shifting (which is computed by A/T control unit).
4. Additional CONSULT information can be found in the Operation Manual supplied with the CONSULT unit.

### APPLICATION

Item	Display	Monitor item		Description	Remarks
		ECU input signals	Main signals		
Vehicle speed sensor 1 (A/T) (Revolution sensor)	VHCL/S SE-A/T [km/h] or [mph]	X	—	● Vehicle speed computed from signal of revolution sensor is displayed.	When racing engine in or P position, meter will not indicate 0 km/h (0 mph) even if vehicle is stationary.
Vehicle speed sensor 2 (Meter)	VHCL/S SE-MTR [km/h] or [mph]	X	—	● Vehicle speed computed from signal of vehicle speed sensor is displayed.	Error may occur under approx. 10 km/h (approx. 6 mph) and meter will not indicate 0 km/h (0 mph) even if vehicle is stationary.
Throttle position sensor	THRTL POS SEN [V]	X	—	● Throttle position sensor signal voltage is displayed.	
Fluid temperature sensor	FLUID TEMP SEN [V]	X	—	● Fluid temperature sensor signal voltage is displayed. ● Signal voltage lowers as fluid temperature rises.	
Battery voltage	BATTERY VOLT [V]	X	—	● Source voltage of control unit is displayed.	
Engine speed	ENG SPEED [rpm]	X	X	● Engine speed, computed from engine speed signal, is displayed.	Error may occur under approx. 800 rpm and meter will not indicate 0 rpm even if engine is not running.
P/N position switch	P/N POSI SW [ON/OFF]	X	—	● ON/OFF state computed from signal of P/N position SW is displayed.	
R position switch	R POSITION SW [ON/OFF]	X	—	● ON/OFF state computed from signal of R position SW is displayed.	
D position switch	D POSITION SW [ON/OFF]	X	—	● ON/OFF state computed from signal of D position SW is displayed.	
2 position switch	2 POSITION SW [ON/OFF]	X	—	● ON/OFF status, computed from signal of 2 position SW, is displayed.	
1 position switch	1 POSITION SW [ON/OFF]	X	—	● ON/OFF status, computed from signal of 1 position SW, is displayed.	

# TROUBLE DIAGNOSES

## Diagnosis by CONSULT (Cont'd)

Item	Display	Monitor item		Description	Remarks
		ECU input signals	Main signals		
ASCD-cruise signal	ASCD-CRUIS [ON/OFF]	X	—	<ul style="list-style-type: none"> <li>Status of ASCD cruise signal is displayed.</li> <li>ON ... Cruising state</li> <li>OFF ... Normal running state</li> </ul>	<ul style="list-style-type: none"> <li>This is displayed even when no ASCD is mounted.</li> </ul>
ASCD-OD cut signal	ASCD-OD CUT [ON/OFF]	X	—	<ul style="list-style-type: none"> <li>Status of ASCD-OD release signal is displayed.</li> <li>ON ... OD released</li> <li>OFF ... OD not released</li> </ul>	<ul style="list-style-type: none"> <li>This is displayed even when no ASCD is mounted.</li> </ul>
Kickdown switch	KICKDOWN SW [ON/OFF]	X	—	<ul style="list-style-type: none"> <li>ON/OFF status, computed from signal of kickdown SW, is displayed.</li> </ul>	
Closed throttle position switch	CLOSE THL/SW [ON/OFF]	X	—	<ul style="list-style-type: none"> <li>ON/OFF status, computed from signal of closed throttle position SW, is displayed.</li> </ul>	
Wide open throttle position switch	W/O THR/P-SW [ON/OFF]	X	—	<ul style="list-style-type: none"> <li>ON/OFF status, computed from signal of wide open throttle position SW, is displayed.</li> </ul>	
Gear position	GEAR		X	<ul style="list-style-type: none"> <li>Gear position data used for computation by control unit, is displayed.</li> </ul>	
Selector lever position	RANGE or SLCT LVR POSI		X	<ul style="list-style-type: none"> <li>Selector lever position data, used for computation by control unit, is displayed.</li> </ul>	<ul style="list-style-type: none"> <li>A specific value used for control is displayed if fail-safe is activated due to error.</li> </ul>
Vehicle speed	VEHICLE SPEED [km/h] or [mph]		X	<ul style="list-style-type: none"> <li>Vehicle speed data, used for computation by control unit, is displayed.</li> </ul>	
Throttle position	THROTTLE POSI [1/8]		X	<ul style="list-style-type: none"> <li>Throttle position data, used for computation by control unit, is displayed.</li> </ul>	<ul style="list-style-type: none"> <li>A specific value used for control is displayed if fail-safe is activated due to error.</li> </ul>
Line pressure duty	LINE PRES DUTY [%]		X	<ul style="list-style-type: none"> <li>Control value of line pressure solenoid valve, computed by control unit from each input signal, is displayed.</li> </ul>	
Lock-up duty	TCC S/V DUTY [%]		X	<ul style="list-style-type: none"> <li>Control value of torque converter clutch solenoid valve, computed by control unit from each input signal, is displayed.</li> </ul>	
Shift solenoid valve A	SHIFT SOL/V A [ON/OFF]	—	X	<ul style="list-style-type: none"> <li>Control value of shift solenoid valve A, computed by control unit from each input signal, is displayed.</li> </ul>	<ul style="list-style-type: none"> <li>Control value of solenoid is displayed even if solenoid circuit is disconnected.</li> </ul>
Shift solenoid valve B	SHIFT SOL/V B [ON/OFF]	—	X	<ul style="list-style-type: none"> <li>Control value of shift solenoid valve B, computed by control unit from each input signal, is displayed.</li> </ul>	<ul style="list-style-type: none"> <li>The "OFF" signal is displayed if solenoid circuit is shorted.</li> </ul>
Overrun clutch solenoid valve	OVRRUN/C SOL/V [ON/OFF]	—	X	<ul style="list-style-type: none"> <li>Control value of overrun clutch solenoid valve computed by control unit from each input signal is displayed.</li> </ul>	
Power shift lamp	POWER SHIFT LAMP	—	—	<ul style="list-style-type: none"> <li>Control status of power shift lamp is displayed.</li> </ul>	
Power shift switch	POWER SHIFT SW	—	—	<ul style="list-style-type: none"> <li>ON/OFF status, computed from signal of power shift SW, is displayed.</li> </ul>	<ul style="list-style-type: none"> <li>This is displayed even when no power SW is equipped. On vehicles with power SW mounted on lever, this item is invalid although displayed.</li> </ul>

## TROUBLE DIAGNOSES

### Diagnosis by CONSULT (Cont'd)

Item	Display	Monitor item		Description	Remarks
		ECU input signals	Main signals		
Hold switch	HOLD SW	—	—	● ON/OFF status, computed from signal of hold SW, is displayed.	

X: Applicable

—: Not applicable

Note:

1. When select ECU input signals on CONSULT, electronic control unit input signal are set.
2. When select main signals on CONSULT, monitored items for understanding the overall operation of the system are set, and this setting is indicated by a reversed display.

### DATA ANALYSIS

Item	Display form	Meaning
Lock-up duty	Approximately 4%	Lock-up "OFF"
	↓ Approximately 94%	↓ Lock-up "ON"
Line pressure duty	Approximately 29%	Low line-pressure (Small throttle opening)
	↓ Approximately 94%	↓ High line-pressure (Large throttle opening)
Throttle position sensor	Approximately 0.5V	Fully-closed throttle
	Approximately 4V	Fully-open throttle
Fluid temperature sensor	Approximately 1.5V	Cold [20°C (68°F)]
	↓ Approximately 0.5V	↓ Hot [80°C (176°F)]

Gear position	1	2	3	4
Shift solenoid valve A	ON	OFF	OFF	ON
Shift solenoid valve B	ON	ON	OFF	OFF

## Preliminary Check

### A/T FLUID CHECK

#### Fluid leakage check

1. Clean area suspected of leaking, — for example, mating surface of converter housing and transmission case.
2. Start engine, apply foot brake, place selector lever in "D" position and wait a few minutes.
3. Stop engine.
4. Check for fresh leakage.

#### Fluid condition check

Fluid color	Suspected problem
Dark or black with burned odor	Wear of frictional material
Milky pink	Water contamination — Road water entering through filler tube or breather
Varnished fluid, light to dark brown and tacky	Oxidation — Over or under filling, Overheating

**Fluid level check — Refer to section MA.**

GI  
 MA  
 EM  
 LC  
 EF & EC  
 FE

CL

MT

AT

PD

FA

RA

BR

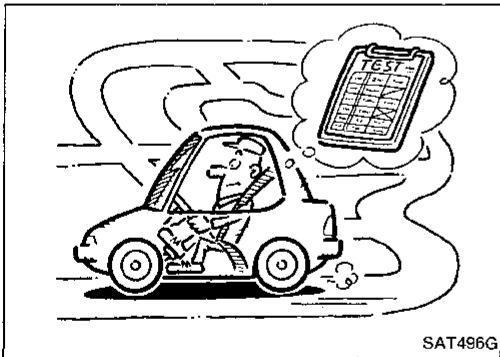
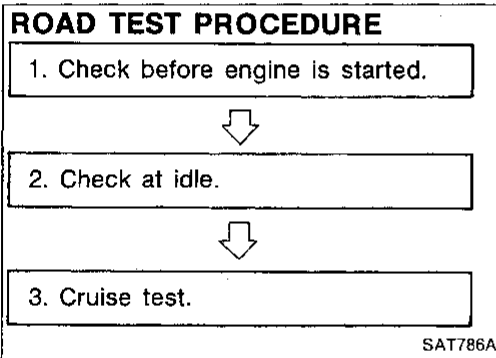
ST

BF

HA

EL

DX



## ROAD TESTING

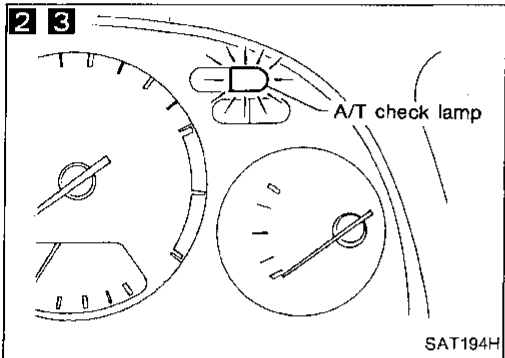
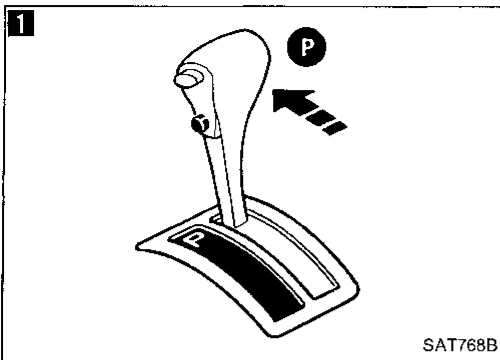
### Description

- The purpose of this road test is to determine overall performance of automatic transmission and analyze causes of problems.
- The road test consists of the following three parts:
  1. Check before engine is started
  2. Check at idle
  3. Cruise test
- Before road test, familiarize yourself with all test procedures and items to check.
- Conduct tests on all items. Troubleshoot items which check out No Good after road test. Refer to "Self-diagnosis System", AT-38 and "Diagnostic Procedure", AT-57.

# TROUBLE DIAGNOSES

## Preliminary Check (Cont'd)

### 1. Check before engine is started



**1 2**

1. Park vehicle on flat surface.
2. Turn ignition switch to "OFF" position.
3. Move selector lever to "P" position.
4. Turn ignition switch to "ON" position.  
(Do not start engine.)
5. Does A/T check lamp come on for about 2 seconds?

No

Go to Diagnostic Procedure 1, AT-57.

Yes

**3**

3. Does A/T check lamp flicker for about 8 seconds?

Yes

Perform self-diagnosis system.  
— Refer to SELF-DIAGNOSTIC PROCEDURE, AT-38.

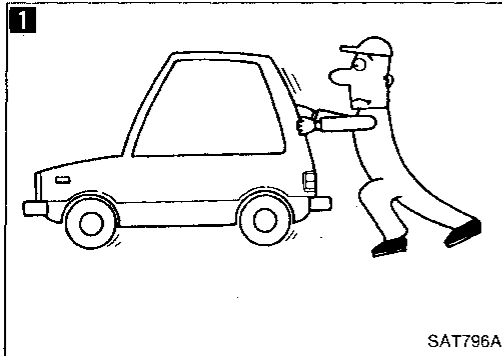
No

1. Turn ignition switch to "OFF" position.
2. Perform self-diagnosis system.  
— Refer to SELF-DIAGNOSTIC PROCEDURE AT-38 and note NG items.
3. Go to "ROAD TESTING — 2. Check at idle".

# TROUBLE DIAGNOSES

## Preliminary Check (Cont'd)

### 2. Check at idle



1. Park vehicle on flat surface.
2. Turn ignition switch to "OFF" position.
3. Move selector lever to "P" or "N" position.
4. Turn ignition switch start position.
5. Is engine started?

No → Go to Diagnostic Procedure 2, AT-58.

Yes ↓

1. Turn ignition switch to "OFF" position.
2. Move selector lever to "D", "1", "2" or "R" position.
3. Turn ignition switch to start position.
4. Is engine started?

Yes → Go to Diagnostic Procedure 2, AT-58.

No ↓

1. Turn ignition switch to "OFF" position.
2. Move selector lever to "P" position.
3. Release parking brake.
4. Push vehicle forward or backward.
5. Does vehicle move when it is pushed forward or backward?

Yes → Go to Diagnostic Procedure 3, AT-58.

No ↓

1. Apply parking brake.
2. Move selector lever to "N" position.
3. Turn ignition switch to START position and start engine.
4. Release parking brake.
5. Does vehicle move forward or backward?

Yes → Go to Diagnostic Procedure 4, AT-59.

No ↓

1. Apply foot brake.
2. Move selector lever to "R" position.
3. Is there large shock when changing from "N" to "R" position?

Yes → Go to Diagnostic Procedure 5, AT-60.

No ↓

1. Release foot brake for several seconds.
2. Does vehicle creep backward when foot brake is released?

No → Go to Diagnostic Procedure 6, AT-61.

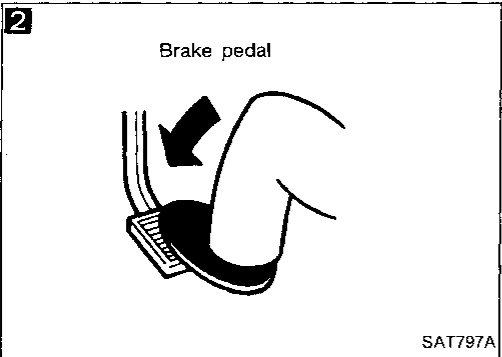
Yes ↓

1. Move selector lever to "D", "1" and "2" positions and check if vehicle creeps forward.
2. Does vehicle creep forward in all three position?

No → Go to Diagnostic Procedure 7, AT-62.

Yes ↓

Go to Cruise test.



GI

MA

EM

LC

EF &  
EC

FE

CL

MT

**AT**

PD

FA

RA

BR

ST

BF

HA

EL

IDX

# TROUBLE DIAGNOSES

## Preliminary Check (Cont'd)

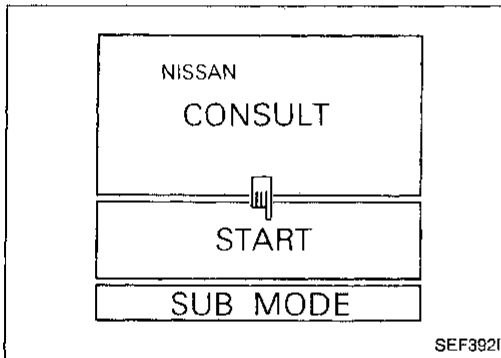
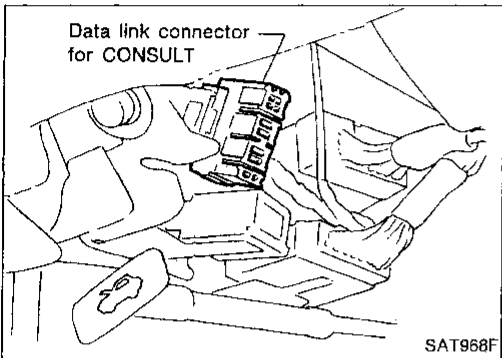
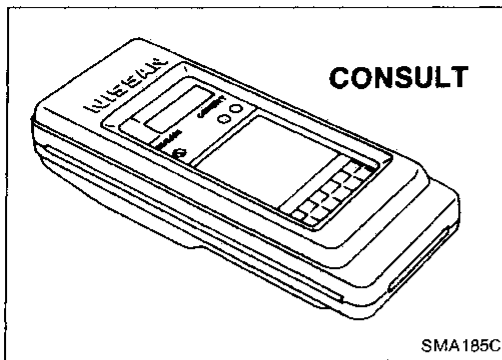
### 3. Cruise test

#### With CONSULT

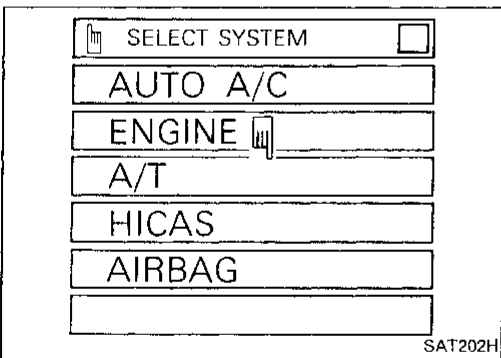
- Using CONSULT, conduct a cruise test and record the result.
- Print the result and ensure that shifts and lock-ups take place as per "Shift Schedule."
- Check all items listed in Parts 1 through 3.

### CONSULT setting procedure

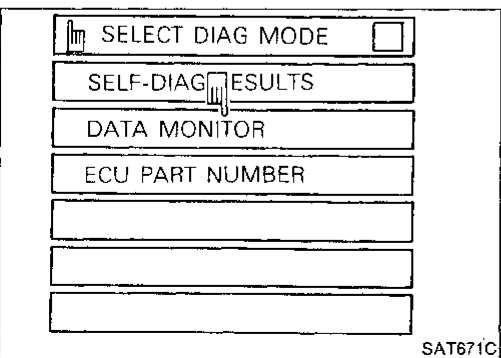
1. Turn off ignition switch.
2. Connect "CONSULT" to data link connector for CONSULT. (Data link connector for CONSULT is located in left dash side panel.)



3. Turn on ignition switch.
4. Touch "START".



5. Touch "A/T".

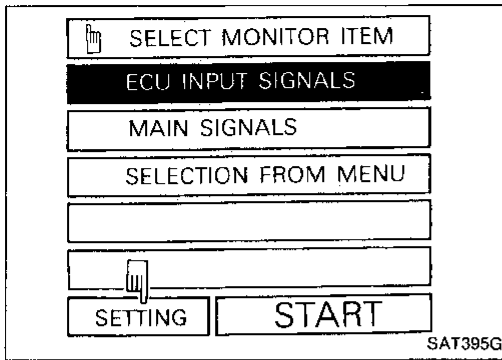


6. Touch "DATA MONITOR".

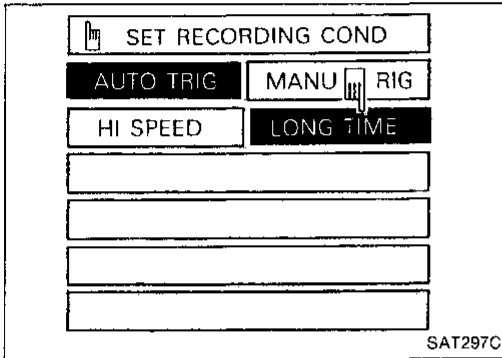


# TROUBLE DIAGNOSES

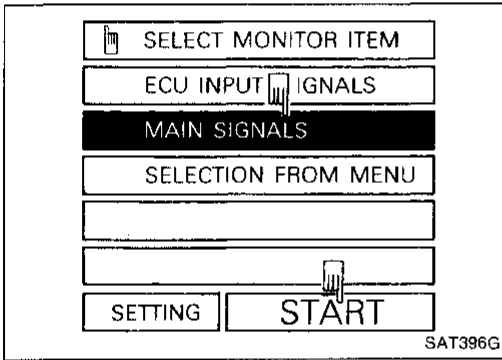
## Preliminary Check (Cont'd)



7. Touch "SETTING" to set recording condition.

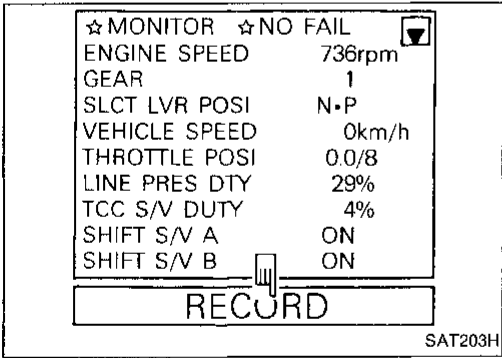


8. Touch "LONG TIME" and "ENTER" key.

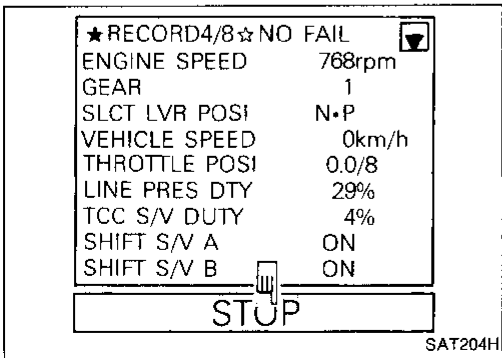


9. Go back to SELECT MONITOR ITEM and touch "MAIN SIGNALS".

10. Touch "START".



11. When performing cruise test, touch "RECORD".



12. After finishing cruise test part 1, touch "STOP".

GI

MA

EM

LC

EF &  
EC

FE

CL

MT

AT

PD

FA

RA

BR

ST

BF

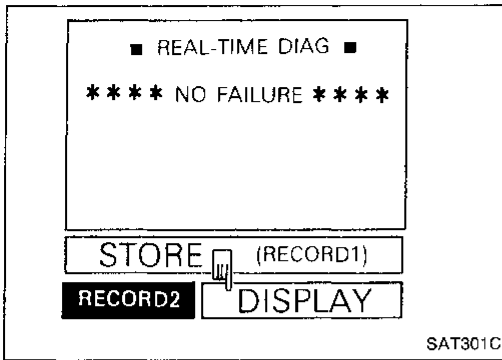
HA

EL

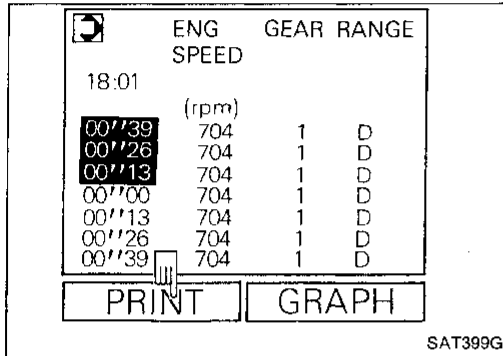
IDX

# TROUBLE DIAGNOSES

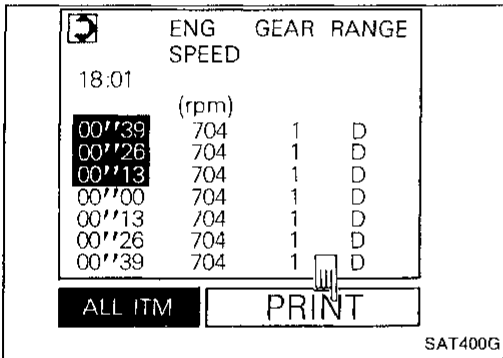
## Preliminary Check (Cont'd)



13. Touch "DISPLAY".



14. Touch "PRINT".



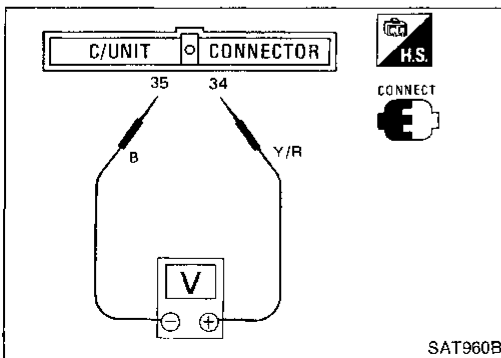
15. Touch "PRINT" again.

ENG SPEED	GEAR	POSITION	CAR SPEED SEN	THROT-TLE POSI
(rpm)			(km/h)	(/8)
00''39	704	1	D	0 0.0
00''26	704	1	D	0 0.0
00''13	704	1	D	0 0.0
00''00	704	1	D	0 0.0
00''13	704	1	D	0 0.0
00''26	704	1	D	0 0.0
00''39	704	1	D	0 0.0
00''52	704	1	D	0 0.0
00''65	704	1	D	0 0.0

SAT401G

16. Check the monitor data printed out.

17. Continue cruise test part 2 and 3.



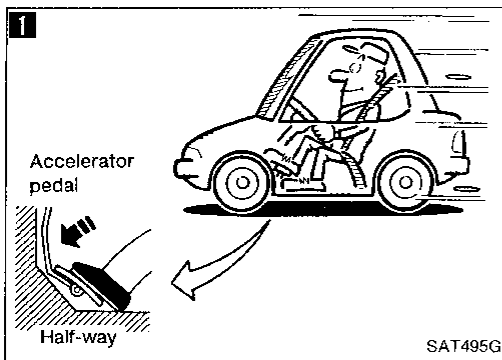
**Without CONSULT**

- Throttle position can be controlled by voltage across terminals ④ and ⑤ of A/T control unit.

# TROUBLE DIAGNOSES

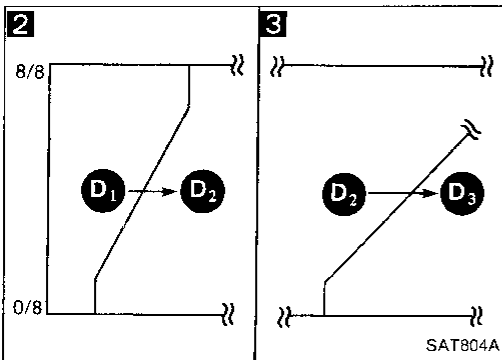
## Preliminary Check (Cont'd)

### Cruise test — Part 1



Warm up engine until engine oil and ATF reach operating temperature after vehicle has been driven approx. 10 minutes.

**ATF operating temperature:**  
50 - 80°C (122 - 176°F)



**1**

1. Park vehicle on flat surface.
2. Set overdrive switch in "ON" position.
3. Move selector lever to "P" position.
4. Turn ignition switch to "ON" position and start engine.
5. Move selector lever to "D" position.
6. Accelerate vehicle at half throttle.
7. Does vehicle start from D<sub>1</sub>?

**Read gear position.**

No → Go to Diagnostic Procedure 8, AT-63.

Yes

**2**

Does A/T shift from D<sub>1</sub> to D<sub>2</sub> at the specified speed?

**Read gear position, throttle opening and vehicle speed.**

**Specified speed when shifting from D<sub>1</sub> to D<sub>2</sub>:**  
Refer to Shift schedule, AT-32.

No → Go to Diagnostic Procedure 9, AT-64.

Yes

**3**

Does A/T shift from D<sub>2</sub> to D<sub>3</sub> at the specified speed?

**Read gear position, throttle opening and vehicle speed.**

**Specified speed when shifting from D<sub>2</sub> to D<sub>3</sub>:**  
Refer to Shift schedule, AT-32.

No → Go to Diagnostic Procedure 10, AT-65.

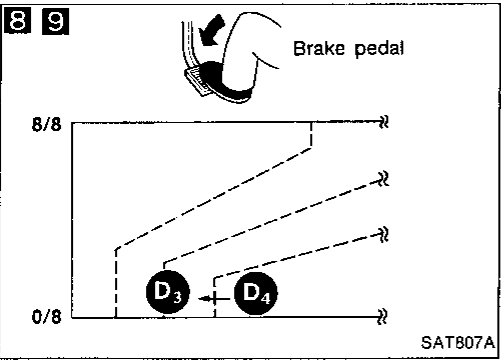
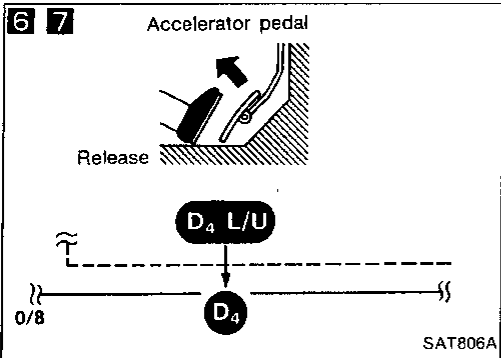
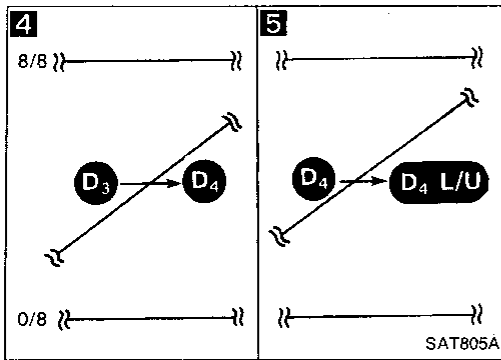
Yes

**A**

CI  
MA  
EM  
IC  
EF & EC  
FE  
CL  
MT  
AT  
PD  
FA  
RA  
BR  
ST  
BF  
KA  
EL  
DX

# TROUBLE DIAGNOSES

## Preliminary Check (Cont'd)



**4**

Does A/T shift from D<sub>3</sub> to D<sub>4</sub> at the specified speed?

**Read gear position, throttle opening and vehicle speed.**

**Specified speed when shifting from D<sub>3</sub> to D<sub>4</sub>:**

**Refer to Shift schedule, AT-32.**

No → Go to Diagnostic Procedure 11, AT-66.

Yes

**5**

Does A/T perform lock-up at the specified speed?

**Read vehicle speed, throttle opening when lock-up duty becomes 94%.**

**Specified speed when lock-up occurs:**

**Refer to Shift schedule, AT-32.**

No → Go to Diagnostic Procedure 12, AT-67.

Yes

Does A/T hold lock-up condition for more than 30 seconds?

No → Go to Diagnostic Procedure 13, AT-68.

Yes

**6 7**

1. Release accelerator pedal.
2. Is lock-up released when accelerator pedal is released?

No → Go to Diagnostic Procedure 14, AT-69.

Yes

**8 9**

1. Decelerate vehicle by applying foot brake lightly.
2. Does engine speed return to idle smoothly when A/T is shifted from D<sub>4</sub> to D<sub>3</sub>?

**Read gear position and engine speed.**

No → Go to Diagnostic Procedure 15, AT-70.

Yes


1. Stop vehicle.
2. Go to "Cruise test — Part 2", AT-29.

# TROUBLE DIAGNOSES

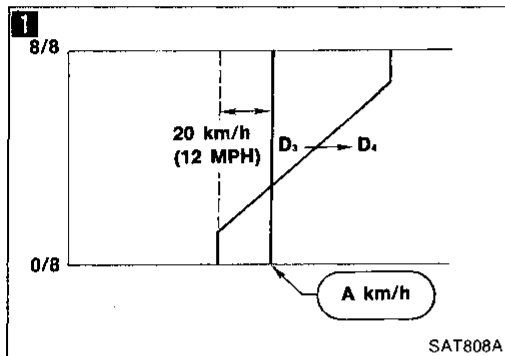
## Preliminary Check (Cont'd)

### Cruise test — Part 2

1. Confirm overdrive switch is in "ON" position.
2. Confirm selector lever is in "D" position.
3. Accelerate vehicle at half throttle again.


Does vehicle start from D<sub>1</sub>?  
 **Read gear position.**

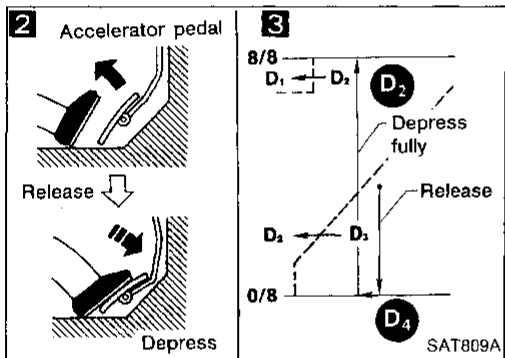
No → Go to Diagnostic Procedure 16, AT-71.




1. Accelerate vehicle to A km/h as shown in illustration.
2. Release accelerator pedal and then quickly depress it fully.
3. Does A/T shift from D<sub>4</sub> to D<sub>2</sub> as soon as accelerator pedal is depressed fully?

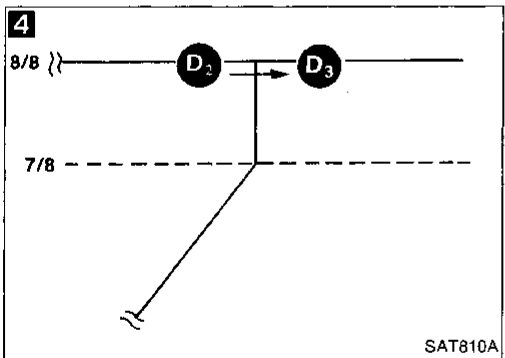
No → Go to Diagnostic Procedure 9, AT-64.

 **Read gear position and throttle opening.**




Does A/T shift from D<sub>2</sub> to D<sub>3</sub> at the specified speed?  
 **Read gear position, throttle opening and vehicle speed.**  
**Specified speed when shifting from D<sub>2</sub> to D<sub>3</sub>:**  
**Refer to Shift schedule, AT-32.**

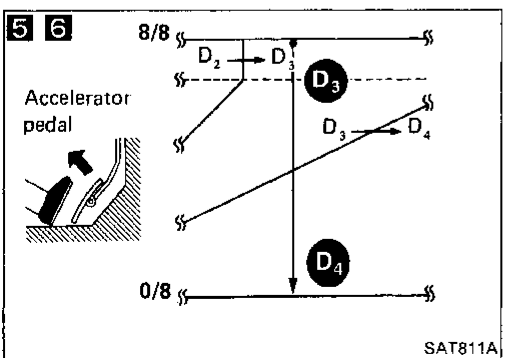
No → Go to Diagnostic Procedure 10, AT-65.



1. Release accelerator pedal after shifting from D<sub>2</sub> to D<sub>3</sub>.
2. Does A/T shift from D<sub>3</sub> to D<sub>4</sub> and does vehicle decelerate by engine brake?

No → Go to Diagnostic Procedure 11, AT-66.

 **Read gear position, throttle opening and vehicle speed.**

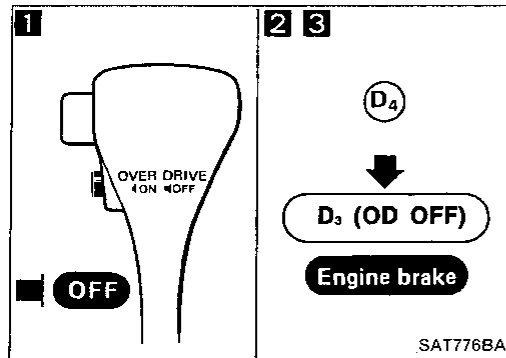


1. Stop vehicle.
2. Go to "Cruise test — Part 3", AT-30.

# TROUBLE DIAGNOSES

## Preliminary Check (Cont'd)

### Cruise test — Part 3

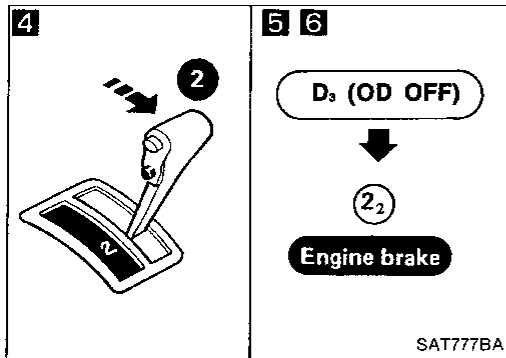


- 1 2**
1. Confirm overdrive switch is in "ON" position.
  2. Confirm selector lever is in "D" position.
  3. Accelerate vehicle, using half-throttle, to D<sub>4</sub>.
  4. Release accelerator pedal.
  5. Set overdrive switch in "OFF" position while driving in D<sub>4</sub> position.
  6. Does A/T shift from D<sub>4</sub> to D<sub>3</sub>?
- Read gear position and vehicle speed.**

No → Go to Diagnostic Procedure 17, AT-71.

- 3**
- Does vehicle decelerate by engine brake?

No → Go to Diagnostic Procedure 15, AT-70.

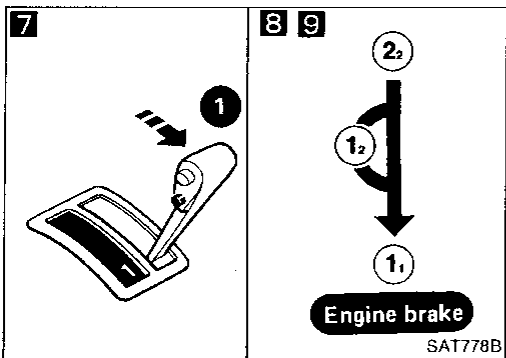


- 4 5**
1. Move selector lever from "D" to "2" position while driving in D<sub>3</sub>.
  2. Does A/T shift from D<sub>3</sub> to 2<sub>2</sub>?
- Read gear position.**

No → Go to Diagnostic Procedure 18, AT-72.

- 6**
- Does vehicle decelerate by engine brake?

No → Go to Diagnostic Procedure 15, AT-70.



- 7 8**
1. Move selector lever from "2" to "1" position while driving in 2<sub>2</sub>.
  2. Does A/T shift from 2<sub>2</sub> to 1<sub>1</sub> position?
- Read gear position.**

No → Go to Diagnostic Procedure 19, AT-72.

- 9**
- Does vehicle decelerate by engine brake?

No → Go to Diagnostic Procedure 20, AT-73.

- 10**
1. Stop vehicle.
  2. Perform self-diagnosis system. — Refer to SELF-DIAGNOSTIC PROCEDURE, AT-38.

# TROUBLE DIAGNOSES

## Preliminary Check (Cont'd)

### Vehicle speed when shifting gears

#### RE4R01A

Throttle position	Vehicle speed km/h (MPH)					
	D <sub>1</sub> → D <sub>2</sub>	D <sub>2</sub> → D <sub>3</sub>	D <sub>3</sub> → D <sub>4</sub>	D <sub>4</sub> → D <sub>3</sub>	D <sub>3</sub> → D <sub>2</sub>	D <sub>2</sub> → D <sub>1</sub>
Full throttle	60 - 64 (37 - 40)	107 - 115 (66 - 71)	166 - 176 (103 - 109)	161 - 169 (100 - 105)	96 - 104 (60 - 65)	44 - 48 (27 - 30)
Half throttle	45 - 49 (28 - 30)	83 - 89 (52 - 55)	119 - 127 (74 - 79)	80 - 88 (50 - 55)	33 - 39 (21 - 24)	10 - 14 (6 - 9)

#### RE4R03A

Throttle position	Vehicle speed km/h (MPH)					
	D <sub>1</sub> → D <sub>2</sub>	D <sub>2</sub> → D <sub>3</sub>	D <sub>3</sub> → D <sub>4</sub>	D <sub>4</sub> → D <sub>3</sub>	D <sub>3</sub> → D <sub>2</sub>	D <sub>2</sub> → D <sub>1</sub>
Full throttle	68 - 72 (42 - 45)	120 - 128 (75 - 80)	183 - 193 (114 - 120)	177 - 187 (110 - 116)	109 - 117 (68 - 73)	33 - 37 (21 - 23)
Half throttle	47 - 51 (29 - 32)	89 - 95 (55 - 59)	136 - 144 (85 - 89)	78 - 86 (48 - 53)	28 - 34 (17 - 21)	10 - 14 (6 - 9)

### Vehicle speed when performing and releasing lock-up

#### RE4R01A

Throttle position	OD switch [Shift position]	Vehicle speed km/h (MPH)	
		Lock-up "ON"	Lock-up "OFF"
Full throttle	ON [D <sub>4</sub> ]	167 - 175 (104 - 109)	161 - 169 (100 - 105)
	OFF [D <sub>3</sub> ]	107 - 115 (66 - 71)	96 - 104 (60 - 65)
Half throttle	ON [D <sub>4</sub> ]	120 - 128 (75 - 80)	84 - 92 (52 - 57)
	OFF [D <sub>3</sub> ]	91 - 99 (57 - 62)	86 - 94 (53 - 58)

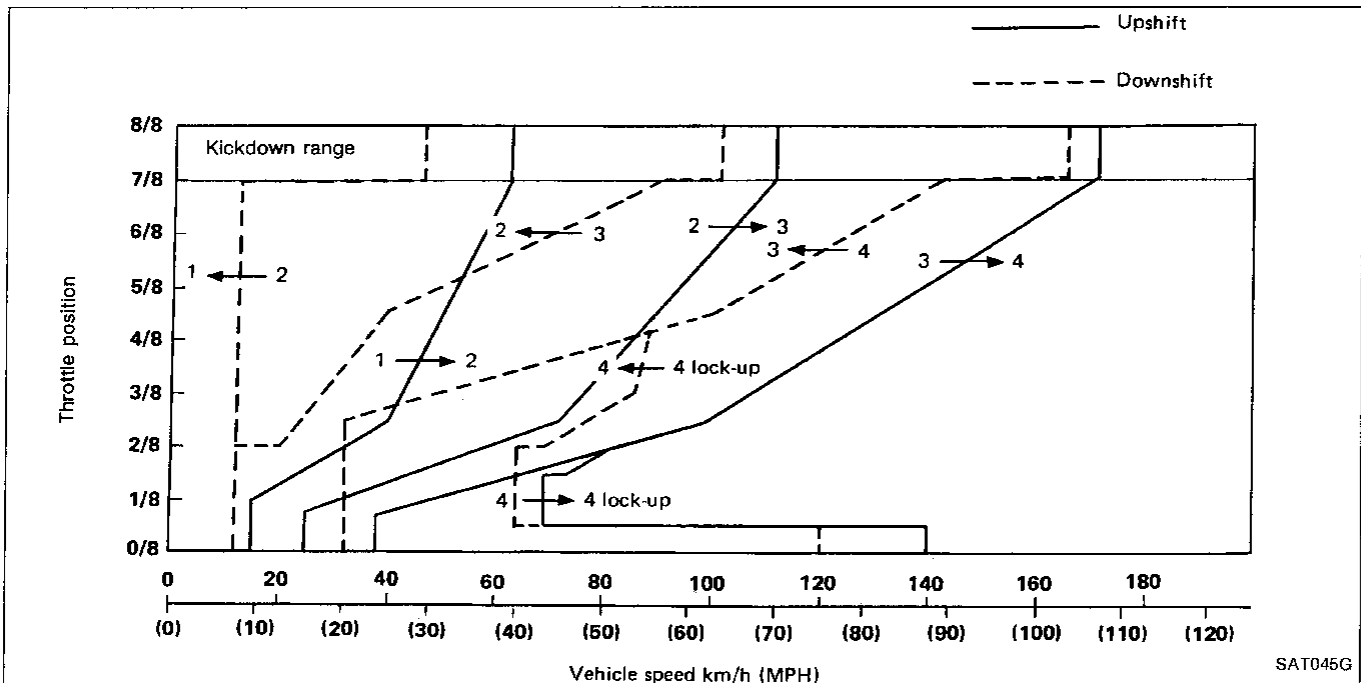
#### RE4R03A

Throttle position	OD switch [Shift position]	Vehicle speed km/h (MPH)	
		Lock-up "ON"	Lock-up "OFF"
Full throttle	ON [D <sub>4</sub> ]	184 - 192 (114 - 119)	178 - 186 (111 - 116)
	OFF [D <sub>3</sub> ]	120 - 128 (75 - 80)	109 - 117 (68 - 73)
Half throttle	ON [D <sub>4</sub> ]	184 - 192 (114 - 119)	117 - 125 (73 - 78)
	OFF [D <sub>3</sub> ]	88 - 96 (55 - 60)	74 - 82 (46 - 51)

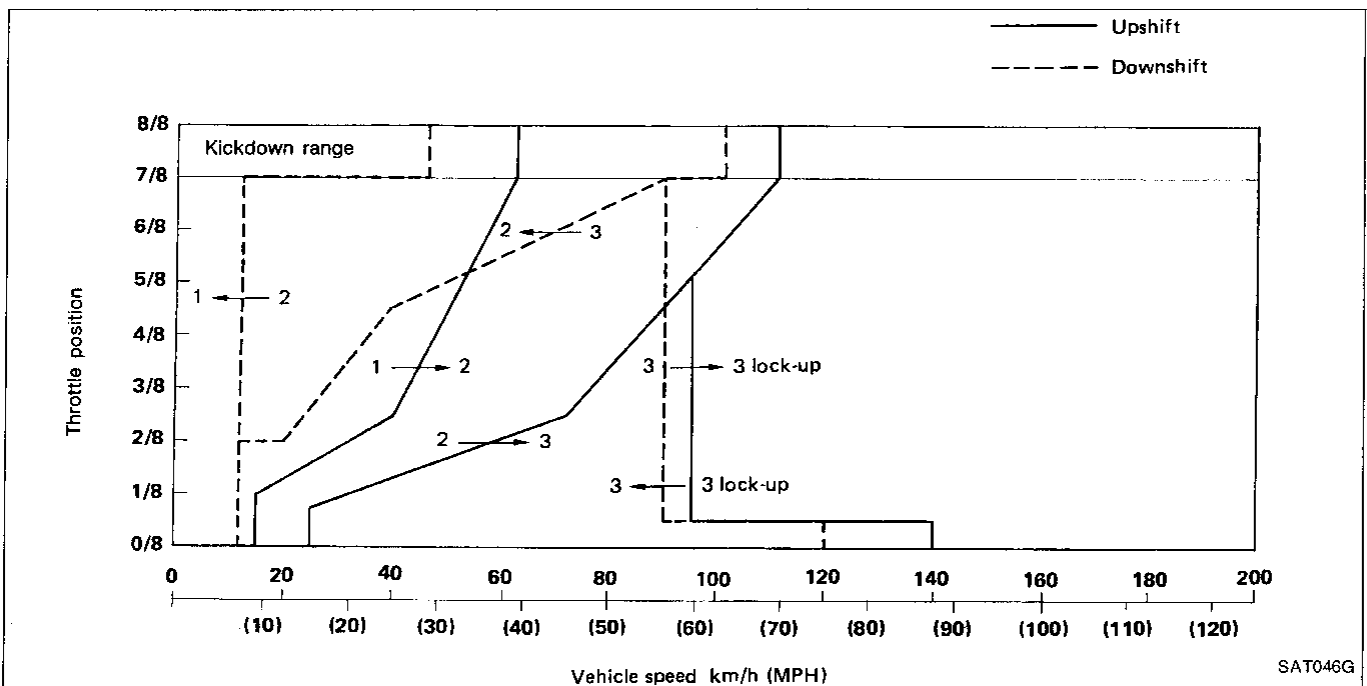
# TROUBLE DIAGNOSES

## Preliminary Check (Cont'd)

### Shift schedule (Overdrive ON) — RE4R01A



### Shift schedule (Overdrive OFF) — RE4R01A

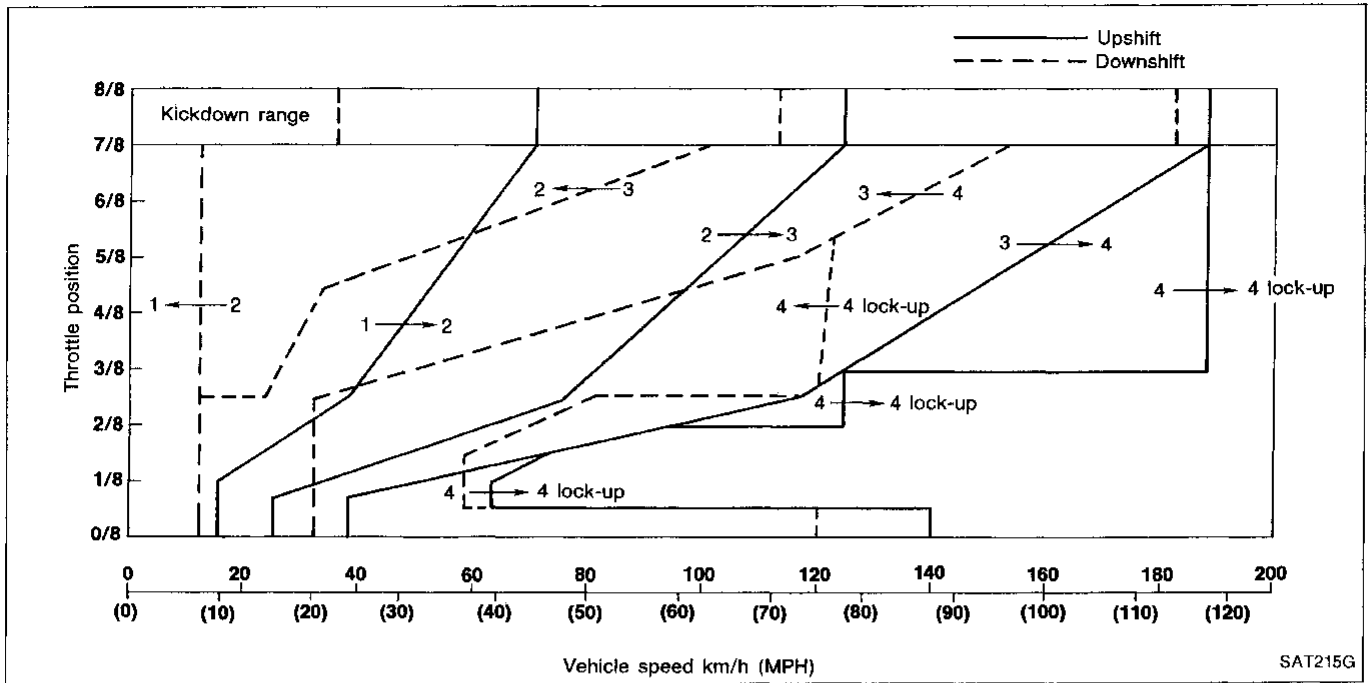




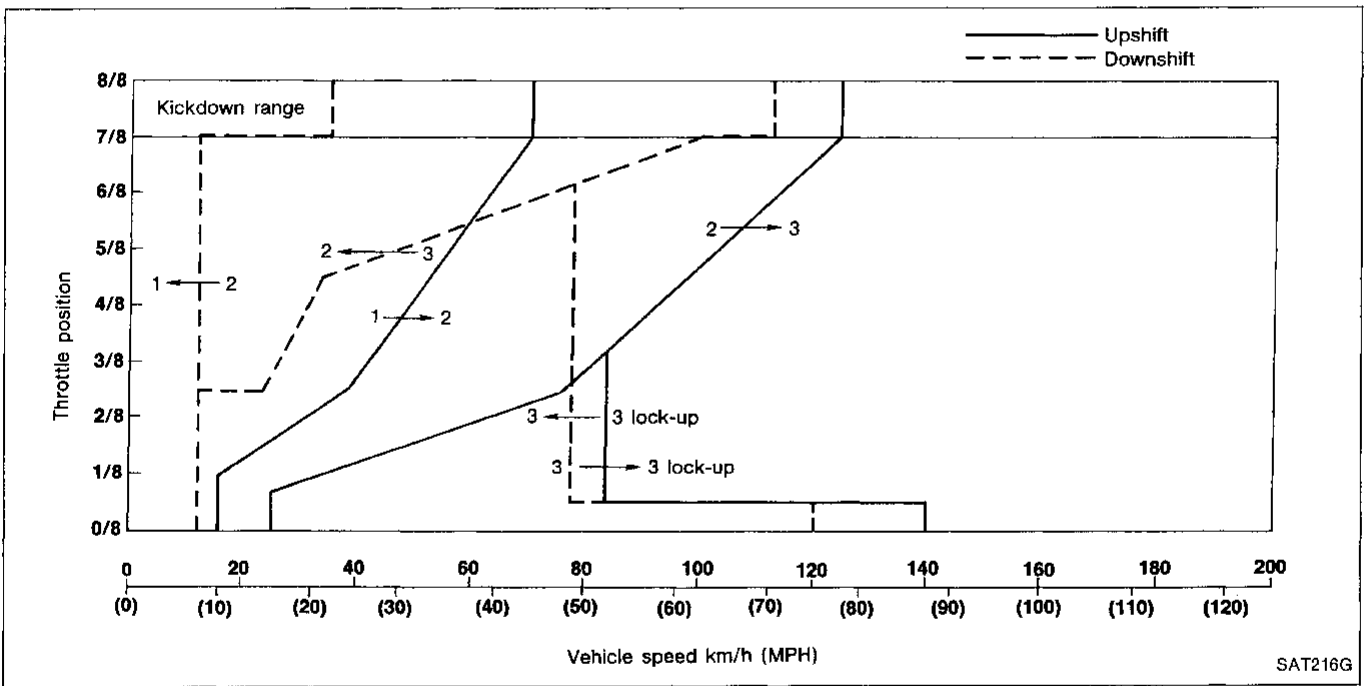
# TROUBLE DIAGNOSES

## Preliminary Check (Cont'd)

### Shift schedule (Overdrive ON) — RE4R03A



### Shift schedule (Overdrive OFF) — RE4R03A



GI

MA

EM

LC

EF &  
EC

FE

CL

MT

**AT**

PD

FA

RA

BR

ST

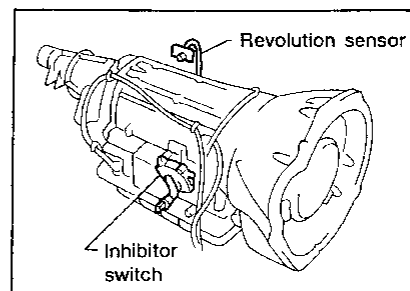
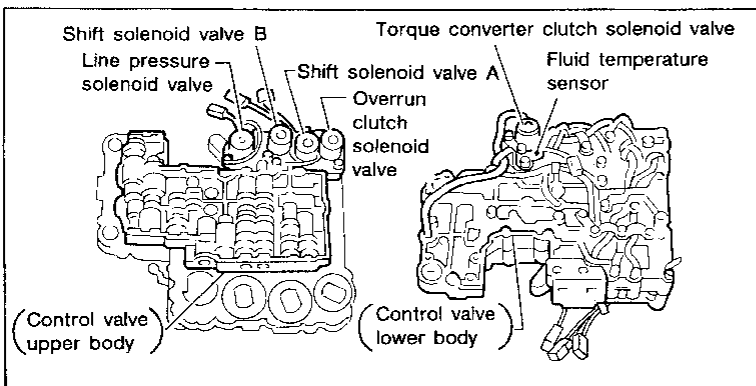
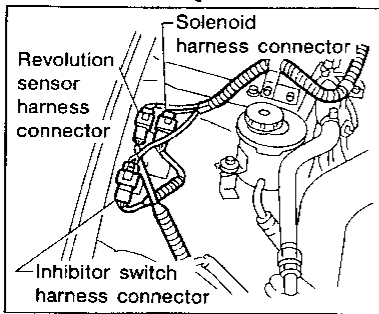
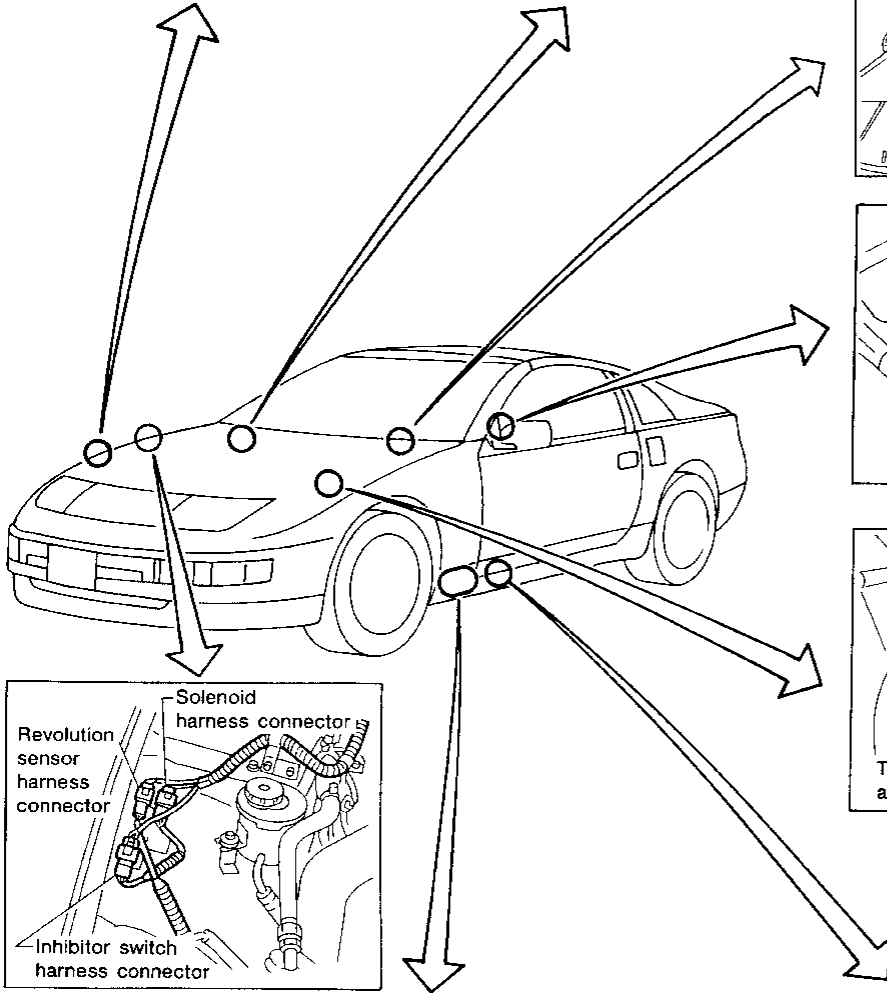
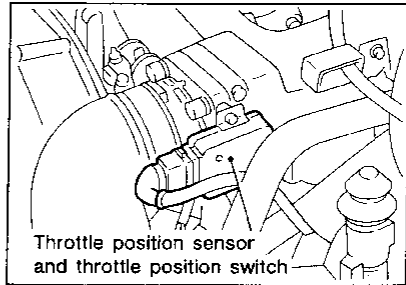
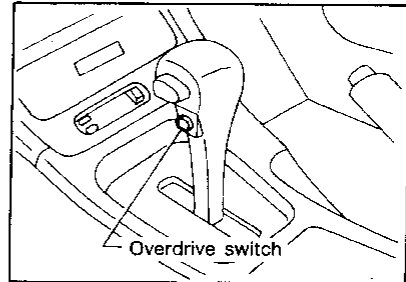
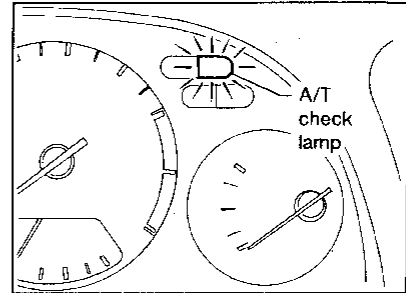
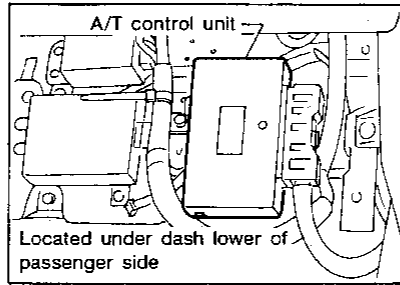
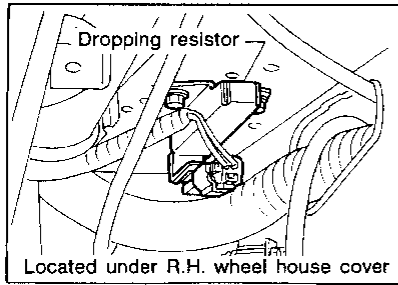
BF

HA

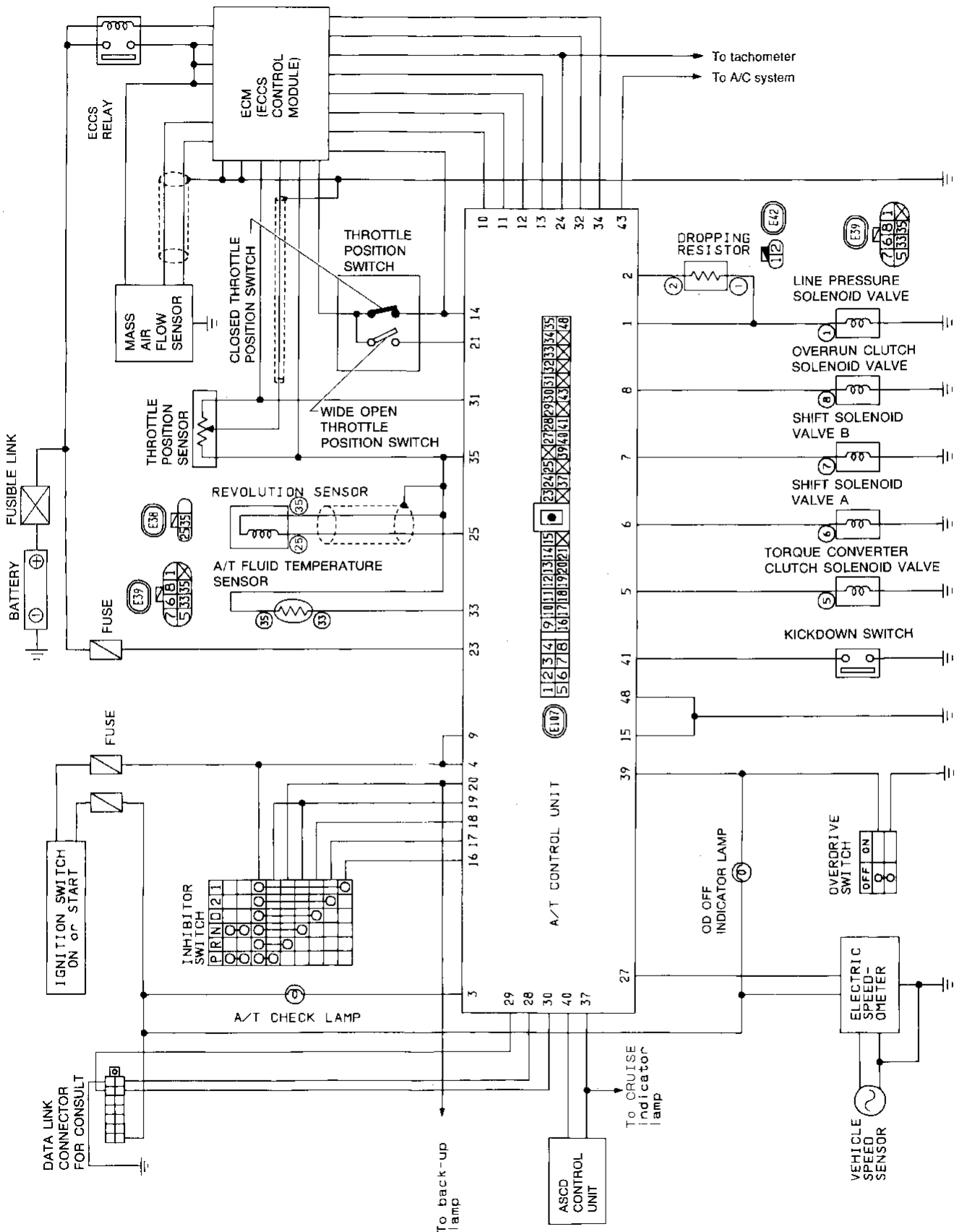
EL

IDX

**A/T Electrical Parts Location**

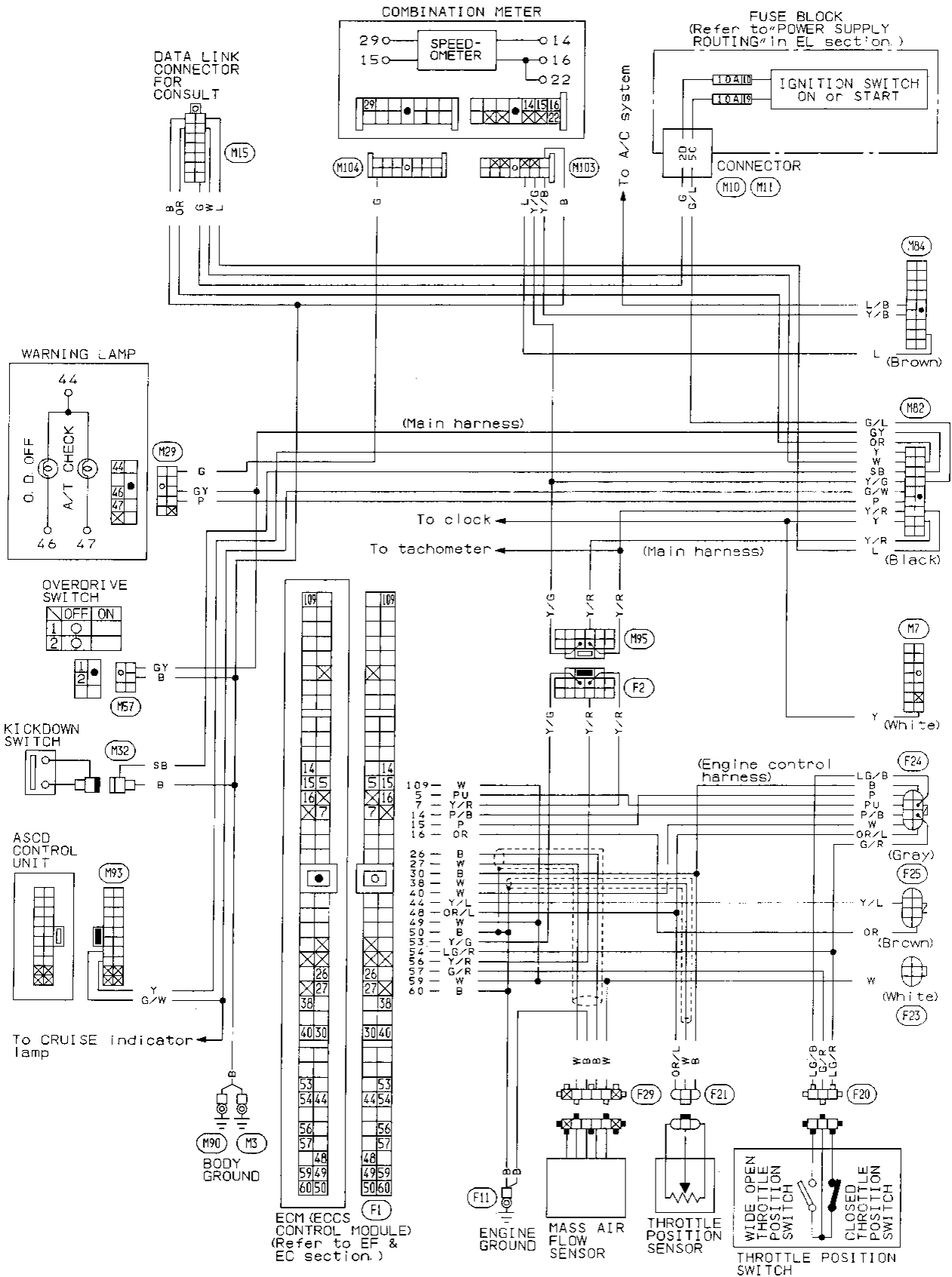


Circuit Diagram for Quick Pinpoint Check



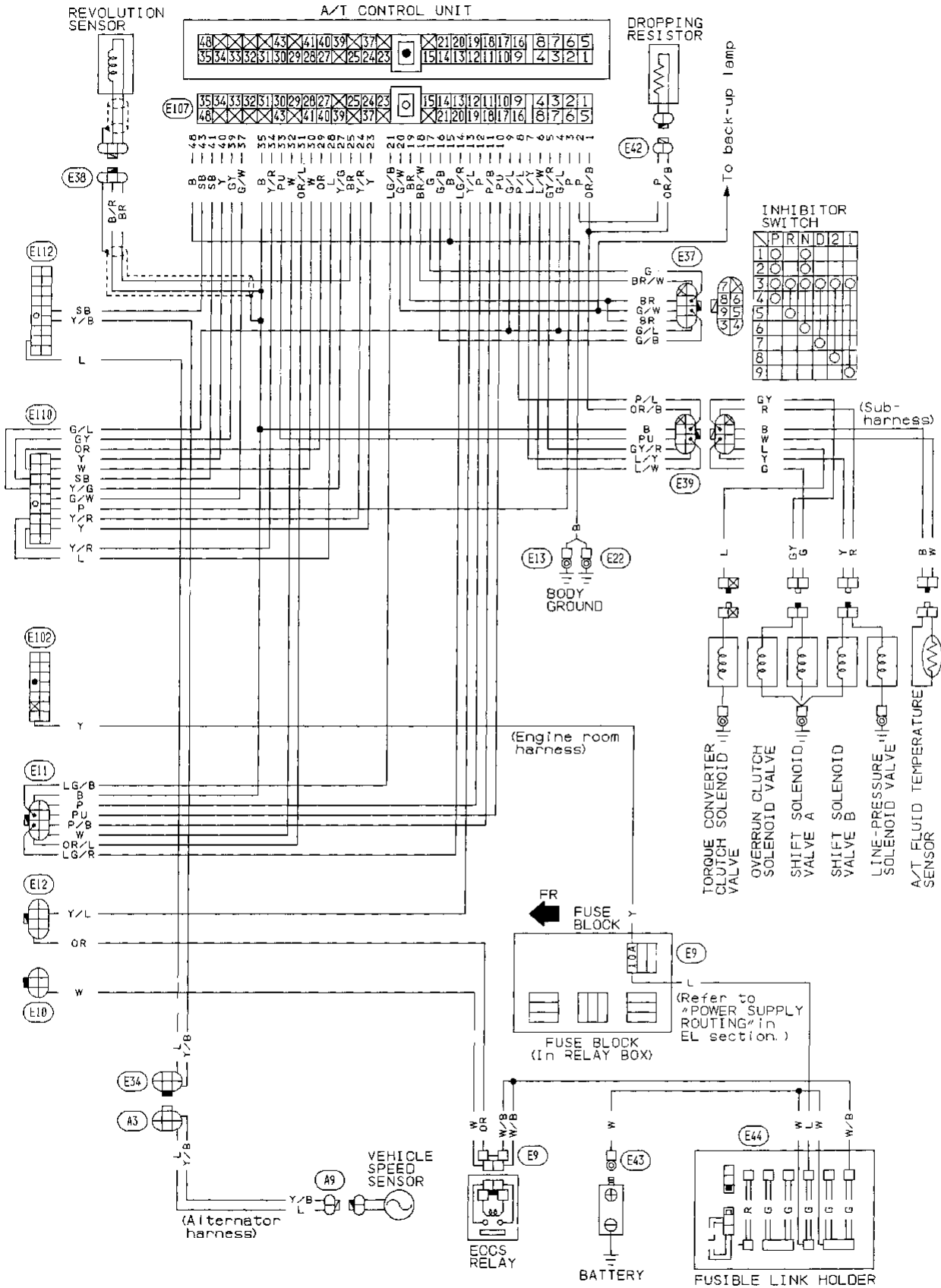
- GI
- MA
- EM
- LC
- EF & EC
- FE
- CL
- MT
- AT**
- PD
- FA
- RA
- BR
- ST
- BF
- HA
- EL
- IDX

Wiring Diagram

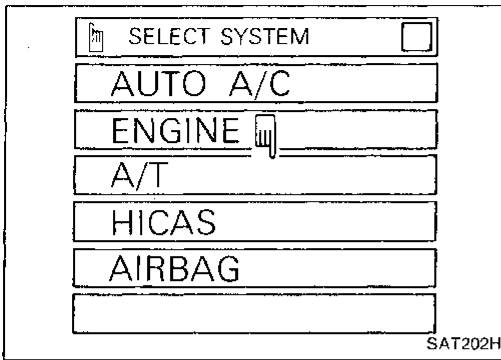


# TROUBLE DIAGNOSES

## Wiring Diagram (Cont'd)



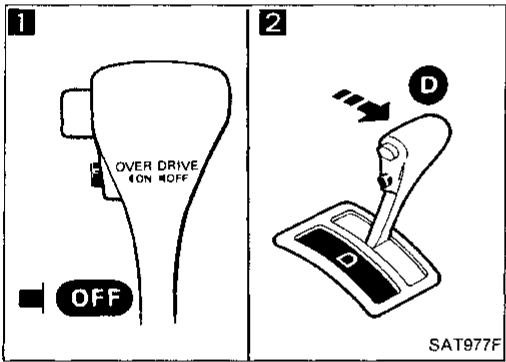
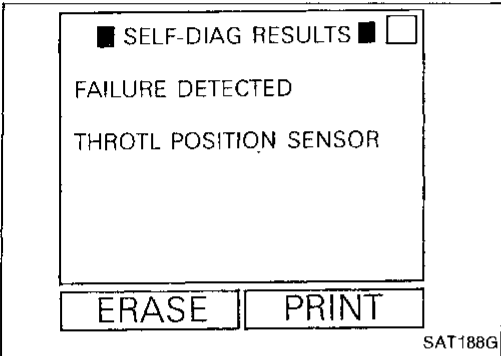
- GI
- MA
- EM
- LC
- FF & EC
- FE
- CL
- MT
- AT**
- PD
- FA
- RA
- BR
- ST
- BF
- HA
- EL
- IDX



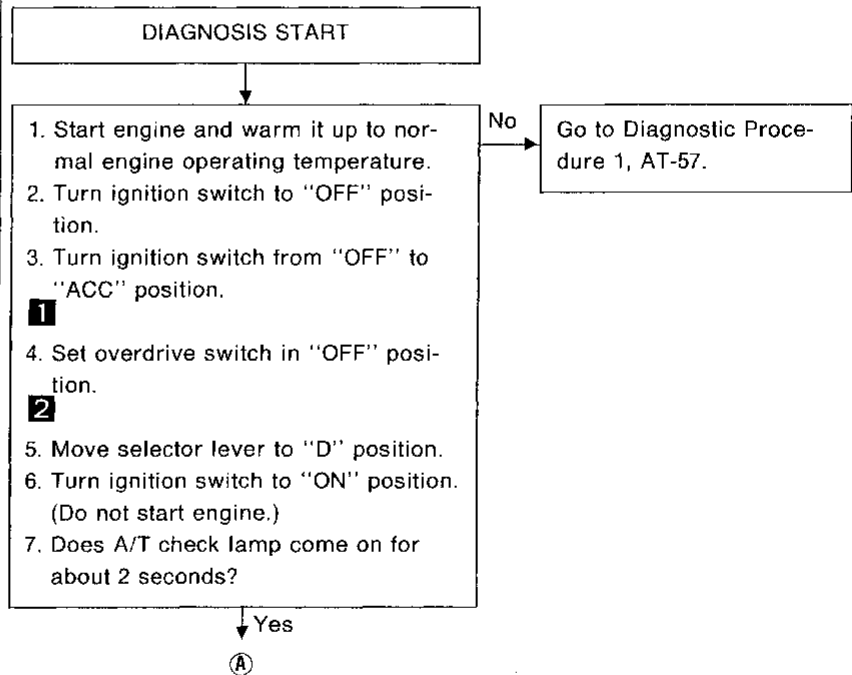
## Self-diagnosis System

### SELF-DIAGNOSTIC PROCEDURE (📱 With CONSULT)

1. Turn on CONSULT.
2. Touch "A/T".
3. Touch "SELF-DIAGNOSIS SYSTEM".  
CONSULT performs REAL-TIME SELF-DIAGNOSIS SYSTEM.

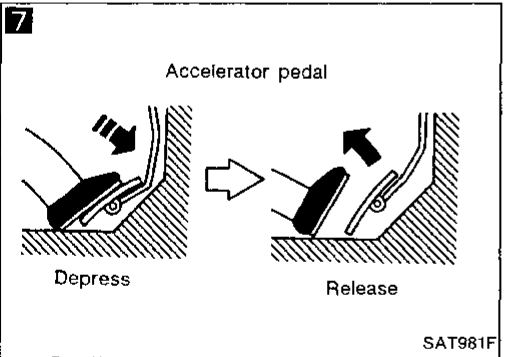
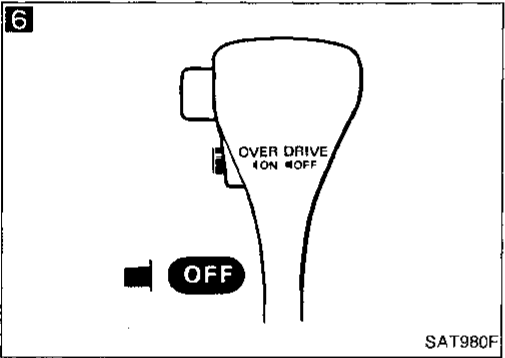
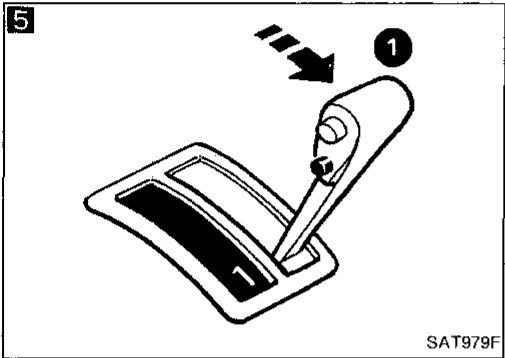
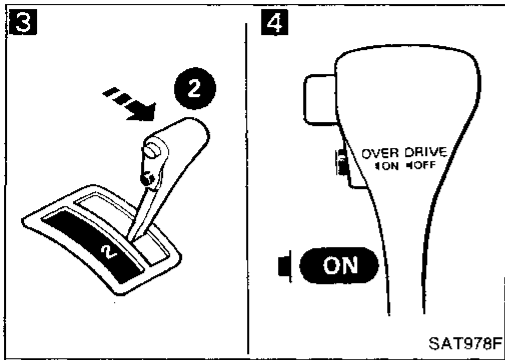


### SELF-DIAGNOSTIC PROCEDURE (🕒 Without CONSULT)



# TROUBLE DIAGNOSES

## Self-diagnosis System (Cont'd)



- A
- 3 8. Move selector lever to "2" position.
- 4 9. Set overdrive switch in "ON" position.
- 5 10. Move selector lever to "1" position.
- 6 11. Set overdrive switch in "OFF" position.
- 7 12. Depress accelerator pedal fully and release it.
13. Check A/T check lamp.  
Refer to JUDGEMENT OF SELF-DIAGNOSIS SYSTEM CODE on next page.

DIAGNOSIS END

GI

MA

EW

LC

EE &  
EC

FE

CL

MT

**AT**

PD

FA

RA

BR

ST

BF

HA

EL

IDX

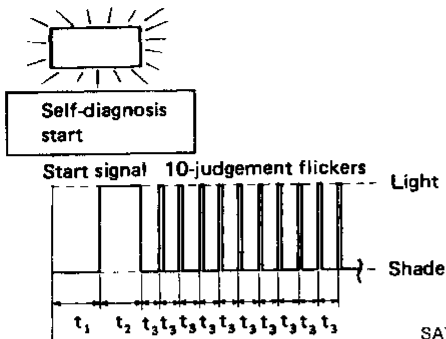
# TROUBLE DIAGNOSES

## Self-diagnosis System (Cont'd)

### JUDGEMENT OF SELF-DIAGNOSIS CODE

Flickers of A/T check lamp: Damaged circuit

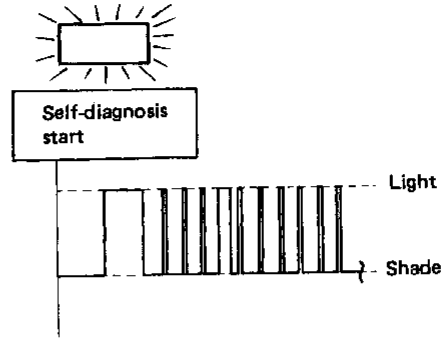
All judgement flickers are same.



SAT219G

All circuits that can be confirmed by self-diagnosis are OK.

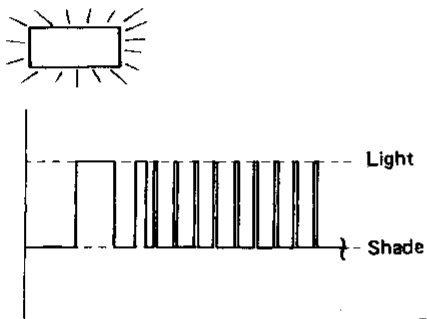
4th judgement flicker is longer than others.



SAT220G

Shift solenoid valve A circuit is short-circuited or disconnected.  
→ Go to shift solenoid valve A circuit check.

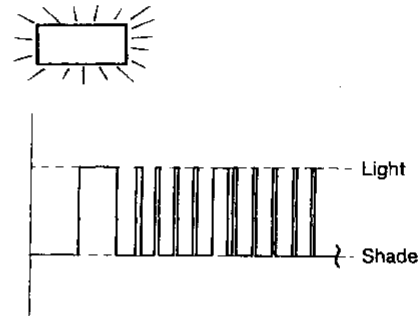
1st judgement flicker is longer than others.



SAT227G

Revolution sensor circuit is short-circuited or disconnected.  
→ Go to revolution sensor circuit check.

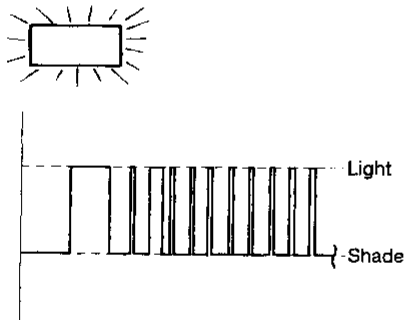
5th judgement flicker is longer than others.



SAT291G

Shift solenoid valve B circuit is short-circuited or disconnected.  
→ Go to shift solenoid valve B circuit check.

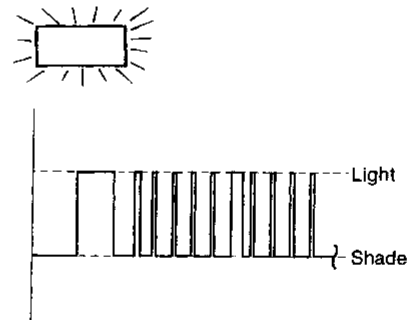
2nd judgement flicker is longer than others.



SAT289G

Vehicle speed sensor circuit is short-circuited or disconnected.  
→ Go to vehicle speed sensor circuit check.

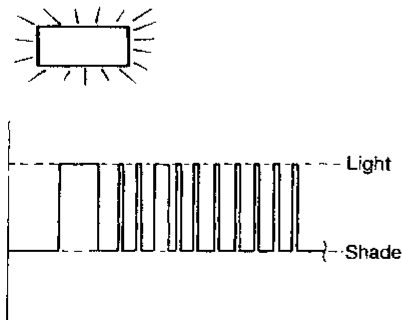
6th judgement flicker is longer than others.



SAT292G

Overrun clutch solenoid valve circuit is short-circuited or disconnected.  
→ Go to overrun clutch solenoid valve circuit check.

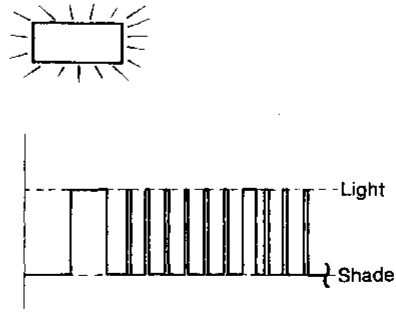
3rd judgement flicker is longer than others.



SAT290G

Throttle position sensor circuit is short-circuited or disconnected.  
→ Go to throttle position sensor circuit check.

7th judgement flicker is longer than others.



SAT293G

Torque converter clutch solenoid valve circuit is short-circuited or disconnected.  
→ Go to torque converter clutch solenoid valve circuit check.

$t_1 = 2.5$  seconds  $t_2 = 2.0$  seconds  $t_3 = 1.0$  second

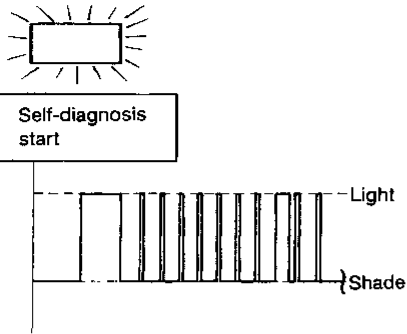


# TROUBLE DIAGNOSES

## Self-diagnosis System (Cont'd)

Flickers of A/T check lamp: Damaged circuit

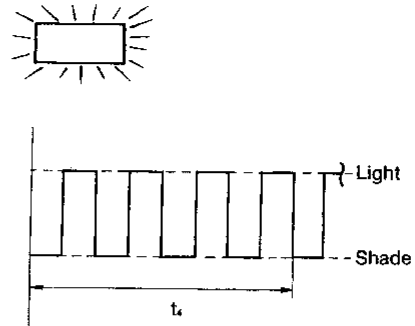
8th judgement flicker is longer than others.



SAT221G

Fluid temperature sensor is disconnected or A/T control unit power source circuit is damaged.  
→ Go to fluid temperature sensor and A/T control unit power source circuit check.

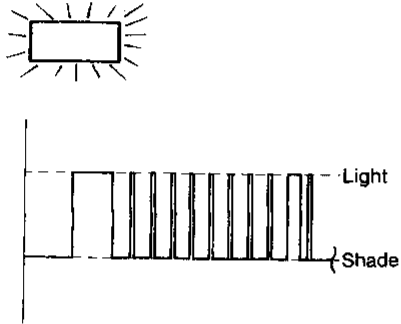
Flickers as shown below.



SAT294G

Battery power is low.  
Battery has been disconnected for a long time.  
Battery is connected conversely.  
(When reconnecting A/T control unit connectors. — This is not a problem.)

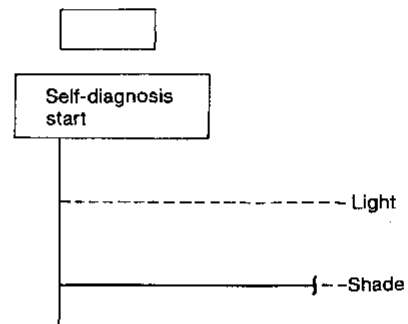
9th judgement flicker is longer than others.



SAT222G

Engine speed signal circuit is short-circuited or disconnected.  
→ Go to engine speed signal circuit check.

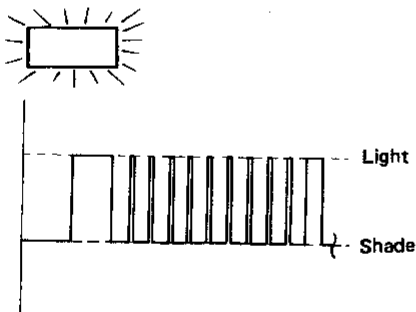
Does not come on.



SAT226G

Inhibitor switch, overdrive switch, kickdown switch or closed throttle position switch circuit is disconnected or A/T control unit is damaged.  
→ Go to Inhibitor, overdrive, kickdown and closed throttle position switch circuit checks.

10th judgement flicker is longer than others.



SAT224G

Line pressure solenoid valve circuit is short-circuited or disconnected.  
→ Go to line pressure solenoid valve circuit check.

$t_4 = 1.0$  second

GI

MA

EM

LC

EF &  
EC

FE

CL

MT

AT

PD

FA

RA

BR

ST

BF

HA

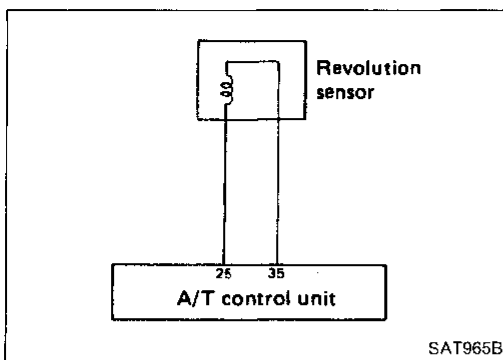
EL

IDX

# TROUBLE DIAGNOSES

## Self-diagnosis System (Cont'd)

### REVOLUTION SENSOR CIRCUIT CHECK

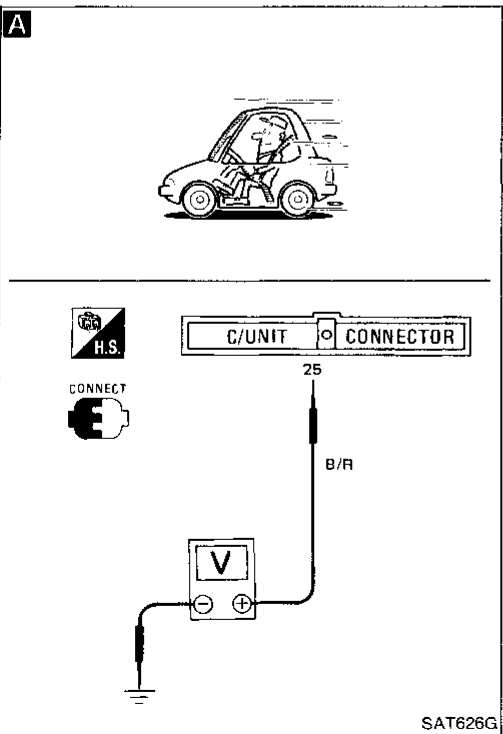


**A**

☆ MONITOR ☆ NO FAIL	
VHCL/S SE-A/T	0km/h
VHCL/S SE-MTR	5km/h
THRTL POS SEN	0.5V
FLUID TEMP SE	0.6V
BATTERY VOLT	13.4V
ENGINE SPEED	768rpm
OVERDRIVE SW	OFF
P/N POSI SW	ON
R POSITION SW	OFF

RECORD

SAT205H



**CHECK REVOLUTION SENSOR.** —  
Refer to "Electrical Components Inspection", AT-73.

NG → Repair or replace revolution sensor.

OK

**A**

**CHECK INPUT SIGNAL.**  
1. Turn ignition switch to "start" position and start engine.

NG → Check harness continuity between A/T control unit and revolution sensor.

- 2.
- Select "ECU INPUT SIGNALS".
  - Read out the value of "VHCL/S SE-A/T" while driving.
  - Check the value changes according to driving speed.

OR

- ⊗ Check voltage between A/T control unit terminal 25 and ground while driving.  
(Measure with AC position.)

**Voltage:**

**At 0 km/h (0 MPH):**

**0V**

**At 30 km/h (19 MPH):**

**1V or more**

**(Voltage rises gradually in response to vehicle speed.)**

OK

Perform self-diagnosis again after driving for a while.

NG → 1. Perform A/T control unit input/output signal inspection.

2. If NG, recheck A/T control unit pin terminals for damage or connection of A/T control unit harness connector.

OK

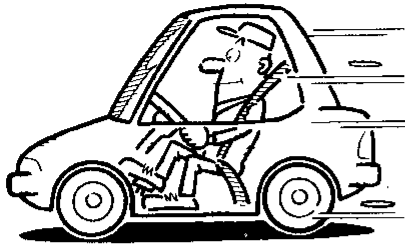
**INSPECTION END**

# TROUBLE DIAGNOSES

## Self-diagnosis System (Cont'd)

### VEHICLE SPEED SENSOR CIRCUIT CHECK

**A**



☆ MONITOR ☆ NO FAIL	
VHCL/S SE-A/T	0km/h
VHCL/S SE-MTR	5km/h
THRTL POS SEN	0.5V
FLUID TEMP SE	0.6V
BATTERY VOLT	13.4V
ENGINE SPEED	768rpm
OVERDRIVE SW	OFF
P/N POSI SW	ON
R POSITION SW	OFF

**RECORD**

SAT205H

**A**

**CHECK INPUT SIGNAL.**

- Turn ignition switch to "start" position and start engine.

- Select "ECU INPUT SIGNALS".
  - Read out the value of "VHCL/S SE-MTR" while driving.
  - Check the value changes according to driving speed.

— OR —

  - Check voltage between A/T control unit terminal 27 and ground while driving at 2 to 3 km/h (1 to 2 MPH) for 1 m (3 ft) or more.

**Voltage:**  
**Varies from 0V to 5V**

NG → Check the following items.

- Vehicle speed sensor and ground circuit for vehicle speed sensor — Refer to section EL.
- Harness continuity between A/T control unit and vehicle speed sensor

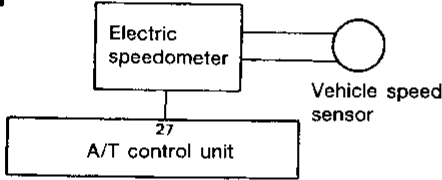
OK → Perform self-diagnosis again after driving for a while.

NG →

- Perform A/T control unit input/output signal inspection.
- If NG, recheck A/T control unit pin terminals for damage or connection of A/T control unit harness connector.

OK → **INSPECTION END**

**A**


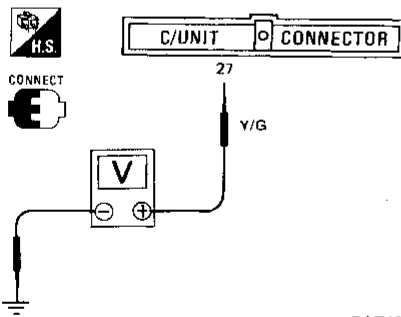


Electric speedometer

Vehicle speed sensor

27 A/T control unit

At 2 - 3 km/h (1 - 2 MPH)

H.S. CONNECT

C/UNIT CONNECTOR

27

V/G

V

SAT196H

GI

MA

EM

LC

EF &amp; EC

FE

CL

MT

AT

PD

FA

RA

BR

ST

BF

HA

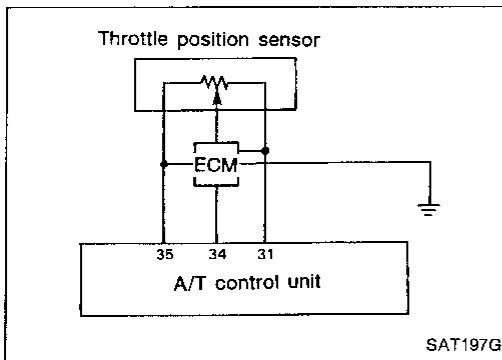
EL

IDX

# TROUBLE DIAGNOSES

## Self-diagnosis System (Cont'd)

### THROTTLE POSITION SENSOR CIRCUIT CHECK



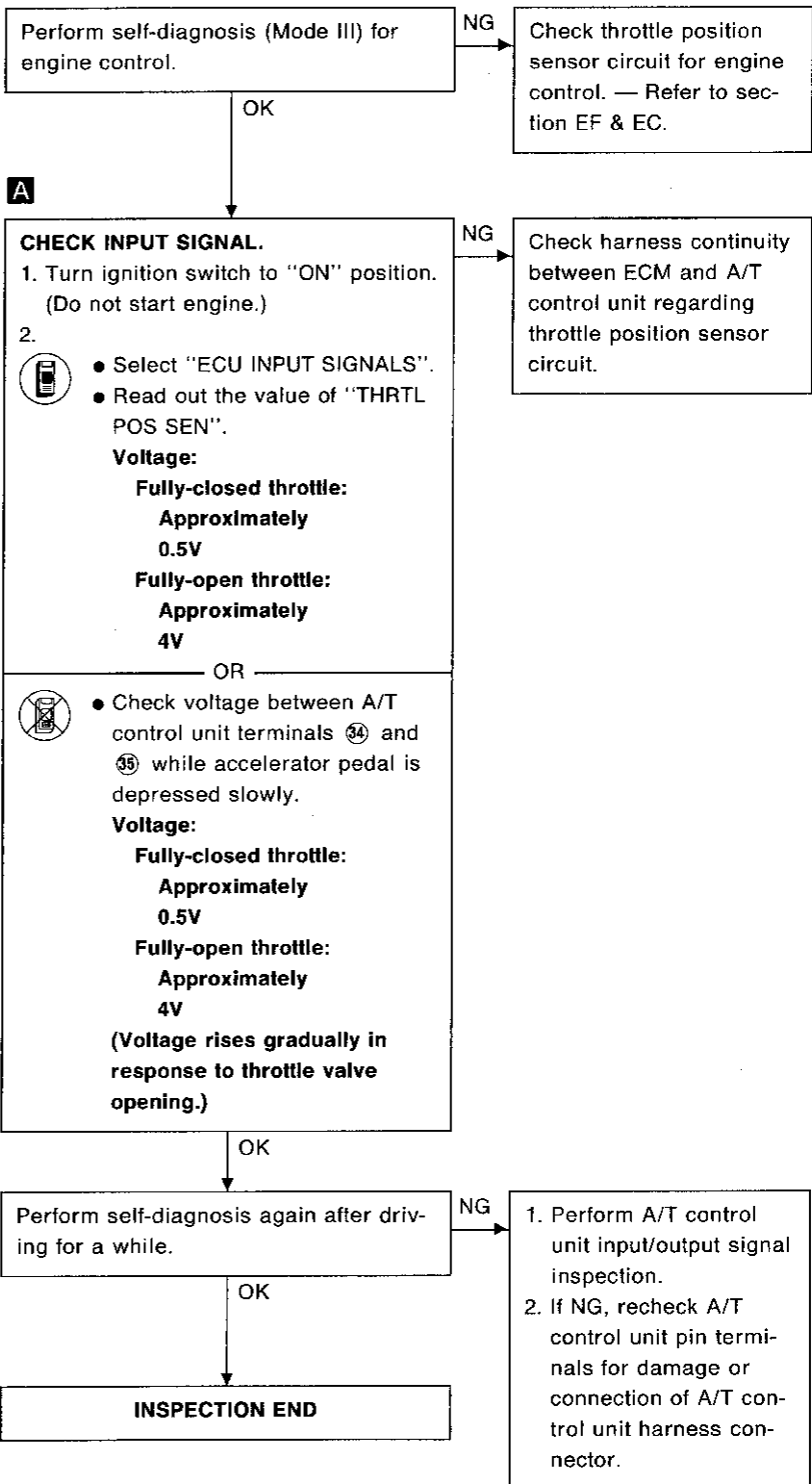
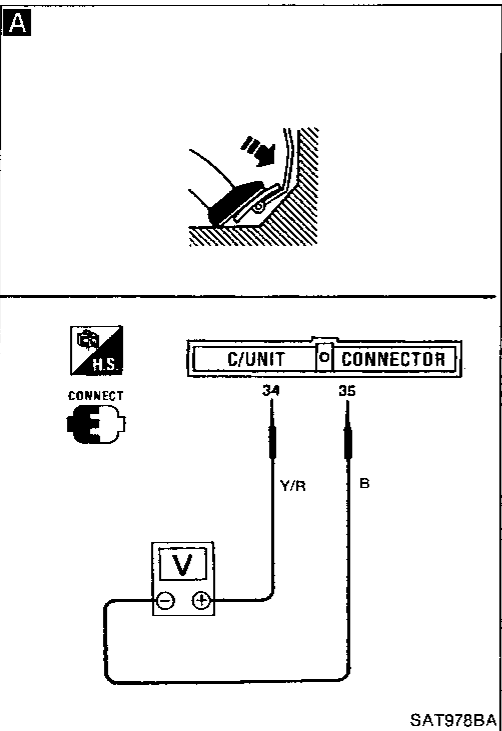
**A**

Depress slowly.

☆MONITOR ☆NO FAIL	
VHCL/S SE•A/T	0km/h
VHCL/S SE•MTR	5km/h
THRTL POS SEN	0.5V
FLUID TEMP SE	0.6V
BATTERY VOLT	13.4V
ENGINE SPEED	768rpm
OVERDRIVE SW	OFF
P/N POSI SW	ON
R POSITION SW	OFF

RECORD

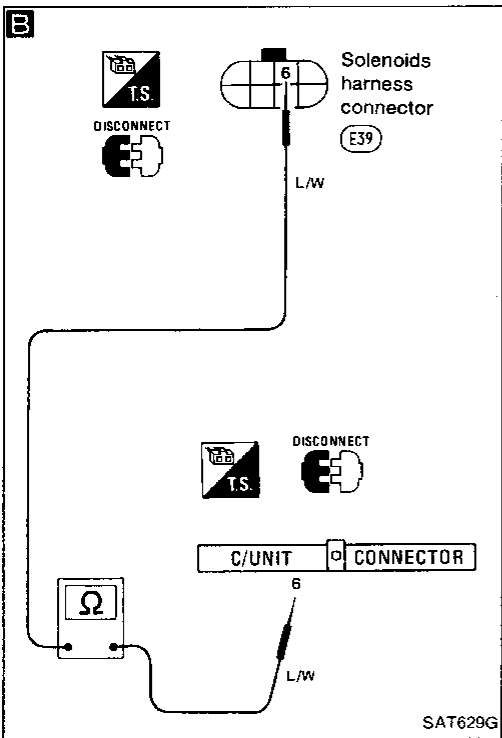
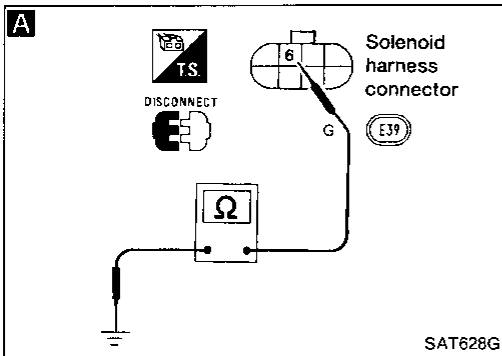
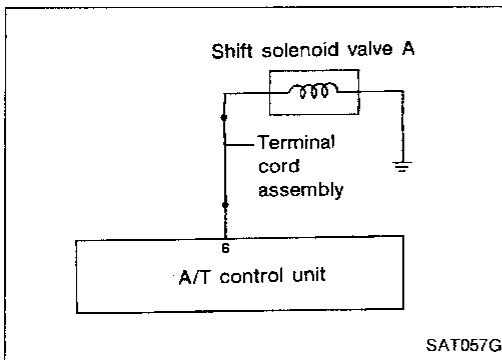
SAT206H



# TROUBLE DIAGNOSES

## Self-diagnosis System (Cont'd)

### SHIFT SOLENOID VALVE A CIRCUIT CHECK



**A**

#### CHECK GROUND CIRCUIT.

1. Turn ignition switch to "OFF" position.
2. Disconnect terminal cord assembly in engine compartment.
3. Check resistance between terminal ⑥ and ground.

**Resistance: 20 - 40Ω**

NG

1. Remove control valve assembly. — Refer to "ON-VEHICLE SERVICE", AT-97.
2. Check the following items.
  - Shift solenoid valve A — Refer to "Electrical Components Inspection", AT-79.
  - Harness continuity of terminal cord assembly

OK

**B**

#### CHECK POWER SOURCE CIRCUIT.

1. Turn ignition switch to "OFF" position.
2. Disconnect A/T control unit connector.
3. Check resistance between terminal ⑥ and A/T control unit terminal ⑥.

**Resistance: Approximately 0Ω**

NG

- Repair or replace harness between A/T control unit and terminal cord assembly.

OK

Perform self-diagnosis after driving for a while.

NG

1. Perform A/T control unit input/output signal inspection.
2. If NG, recheck A/T control unit pin terminals for damage or connection of A/T control unit harness connector.

OK

**INSPECTION END**

GI

MA

EM

LC

EF & EC

FE

CL

MT

**AT**

PD

FA

RA

BR

ST

BF

HA

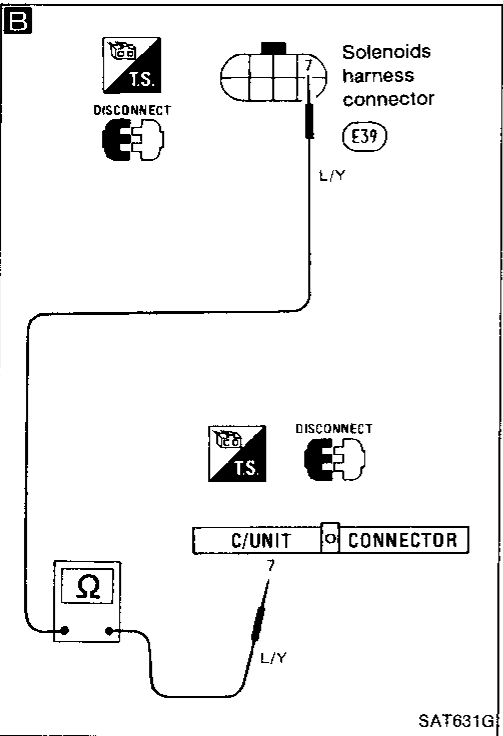
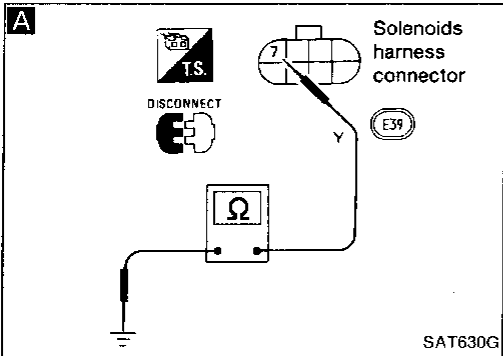
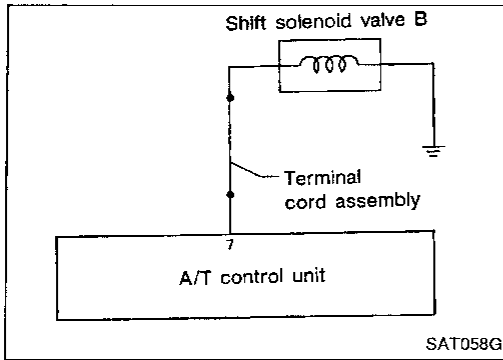
EL

IDX

# TROUBLE DIAGNOSES

## Self-diagnosis System (Cont'd)

### SHIFT SOLENOID VALVE B CIRCUIT CHECK



**A**

**CHECK GROUND CIRCUIT.**

1. Turn ignition switch to "OFF" position.
2. Disconnect terminal cord assembly connector in engine compartment.
3. Check resistance between terminal ⑦ and ground.

**Resistance: 20 - 40Ω**

NG → 1. Remove control valve assembly. — Refer to "ON-VEHICLE SERVICE", AT-97.  
2. Check the following items.  
● Shift solenoid valve B — Refer to "Electrical Components Inspection", AT-79.  
● Harness continuity of terminal cord assembly

OK ↓

**B**

**CHECK POWER SOURCE CIRCUIT.**

1. Turn ignition switch to "OFF" position.
2. Disconnect A/T control unit connector.
3. Check resistance between terminal ⑦ and A/T control unit terminal ⑦.
4. Reinstall any part removed.

**Resistance: Approximately 0Ω**

NG → Repair or replace harness between A/T control unit and terminal cord assembly.

OK ↓

Perform self-diagnosis after driving for a while.

NG → 1. Perform A/T control unit input/output signal inspection.  
2. If NG, recheck A/T control unit pin terminals for damage or connection of A/T control unit harness connector.

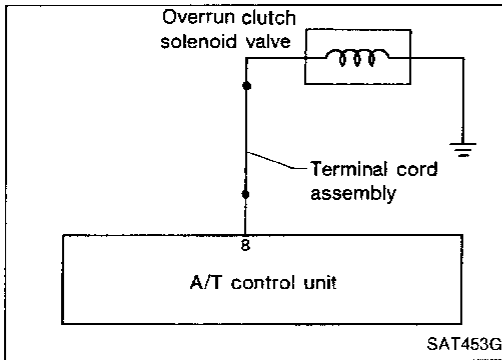
OK ↓

**INSPECTION END**

# TROUBLE DIAGNOSES

## Self-diagnosis System (Cont'd)

### OVERRUN CLUTCH SOLENOID VALVE CIRCUIT CHECK



**A**

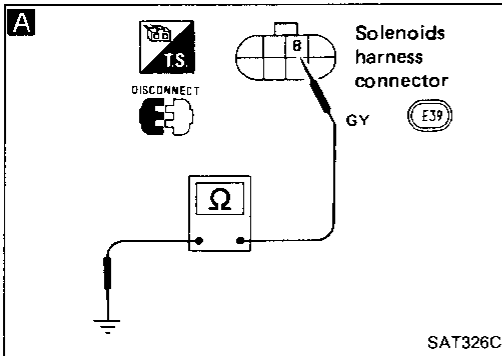
#### CHECK GROUND CIRCUIT.

1. Turn ignition switch to "OFF" position.
2. Disconnect terminal cord assembly in engine compartment.
3. Check resistance between terminal ⑧ and ground.

**Resistance: 20 - 40Ω**

NG

1. Remove control valve assembly. — Refer to "ON-VEHICLE SERVICE", AT-97.
2. Check the following items.
  - Overrun clutch solenoid valve. — Refer to "Electrical Components Inspection", AT-79.
  - Harness continuity of terminal cord assembly



**B**

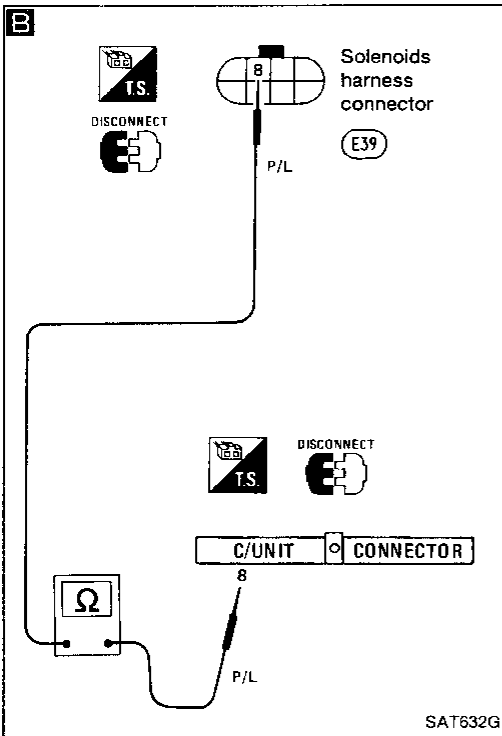
#### CHECK POWER SOURCE CIRCUIT.

1. Turn ignition switch to "OFF" position.
2. Disconnect A/T control unit connector.
3. Check resistance between terminal ⑧ and A/T control unit terminal ⑧.

**Resistance: Approximately 0Ω**

NG

- Repair or replace harness between A/T control unit and terminal cord assembly.



4. Reinstall any part removed.

OK

Perform self-diagnosis after driving for a while.

NG

1. Perform A/T control unit input/output signal inspection.
2. If NG, recheck A/T control unit pin terminals for damage or connection of A/T control unit harness connector.

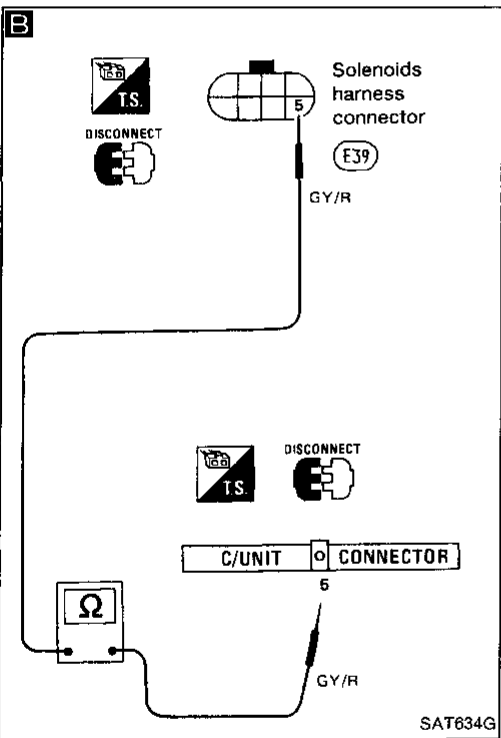
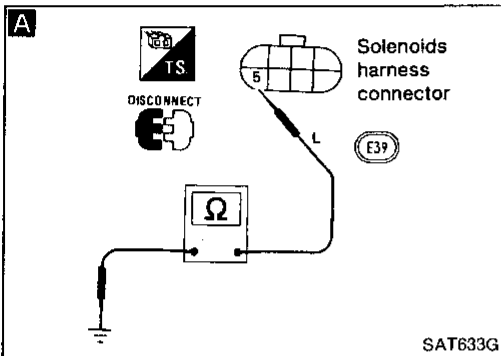
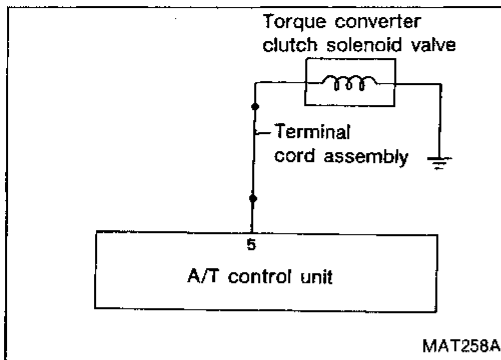
**INSPECTION END**

OK

# TROUBLE DIAGNOSES

## Self-diagnosis System (Cont'd)

### TORQUE CONVERTER CLUTCH SOLENOID VALVE CIRCUIT CHECK



**A**

#### CHECK GROUND CIRCUIT.

1. Turn ignition switch to "OFF" position.
2. Disconnect terminal cord assembly connector in engine compartment.
3. Check resistance between terminal ⑤ and ground.

**Resistance: 10 - 20Ω**

NG

1. Remove oil pan. — Refer to "ON-VEHICLE SERVICE", AT-97.
2. Check the following items.
  - Torque converter clutch solenoid valve. — Refer to "Electrical Components Inspection", AT-79.
  - Harness continuity of terminal cord assembly

OK

**B**

#### CHECK POWER SOURCE CIRCUIT.

1. Turn ignition switch to "OFF" position.
  2. Disconnect A/T control unit connector.
  3. Check resistance between terminal ⑤ and A/T control unit terminal ⑤.
- Resistance:**  
**Approximately 0Ω**
4. Reinstall any part removed.

NG

- Repair or replace harness between A/T control unit and terminal cord assembly.

OK

Perform self-diagnosis after driving for a while.

NG

1. Perform A/T control unit input/output signal inspection.
2. If NG, recheck A/T control unit pin terminals for damage or connection of A/T control unit harness connector.

OK

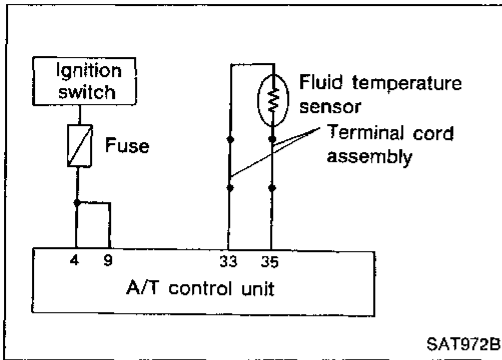
**INSPECTION END**



# TROUBLE DIAGNOSES

## Self-diagnosis System (Cont'd)

### FLUID TEMPERATURE SENSOR CIRCUIT AND A/T CONTROL UNIT POWER SOURCE CIRCUIT CHECKS



**A**

#### CHECK A/T CONTROL UNIT POWER SOURCE.

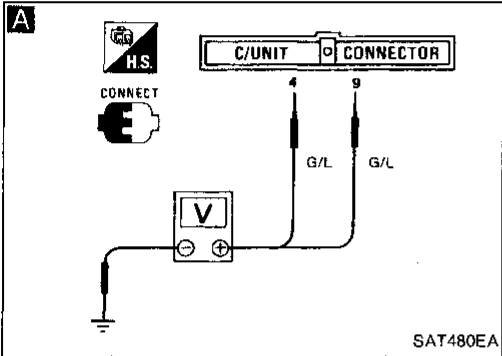
1. Turn ignition switch to "ON" position (Do not start engine.)
2. Check voltage between A/T control unit terminals ④, ⑨ and ground. **Battery voltage should exist.**

NG

Check the following items.

- Harness continuity between ignition switch and A/T control unit
- Ignition switch and fuse — Refer to section EL.

GI  
MA  
EM



**B**

#### CHECK FLUID TEMPERATURE SENSOR WITH TERMINAL CORD ASSEMBLY.

1. Turn ignition switch to "OFF" position.
2. Disconnect terminal cord assembly connector in engine compartment.
3. Check resistance between terminals ③③ and ③⑤ when A/T is cold.

NG

1. Remove control valve cover.
2. Check the following items.

- Fluid temperature sensor — Refer to "Electrical Components Inspection", AT-79.
- Harness continuity of terminal cord assembly

LC  
EF & EC  
FE  
CL  
MT

**Resistance:**

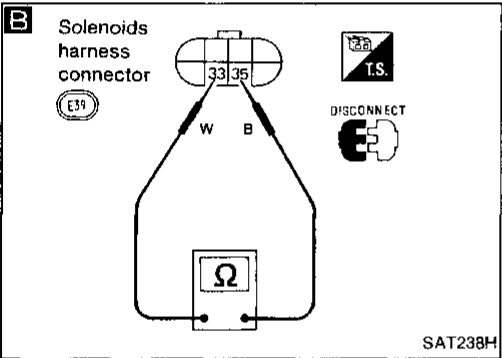
**Cold [20°C (68°F)]**

**Approximately 2.5 kΩ**

4. Reinstall any part removed.

OK

Ⓐ



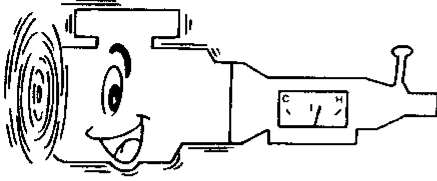
**AT**

PD  
FA  
RA  
BR  
ST  
BF  
HA  
EL  
IDX

# TROUBLE DIAGNOSES

## Self-diagnosis System (Cont'd)

**C**

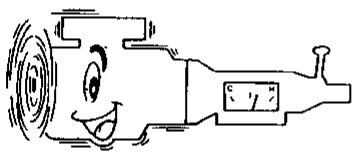
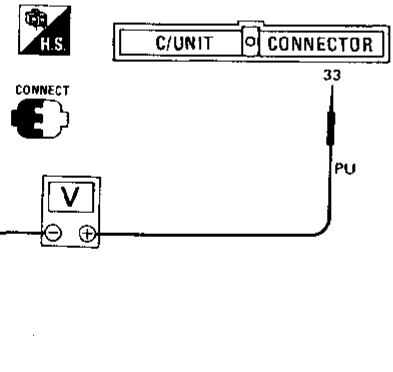


☆ MONITOR ☆ NO FAIL	
VHCL/S SE•A/T	0km/h
VHCL/S SE•MTR	5km/h
THRTL POS SEN	0.5V
FLUID TEMP SE	0.6V
BATTERY VOLT	13.4V
ENGINE SPEED	768rpm
OVERDRIVE SW	OFF
P/N POSI SW	ON
R POSITION SW	OFF

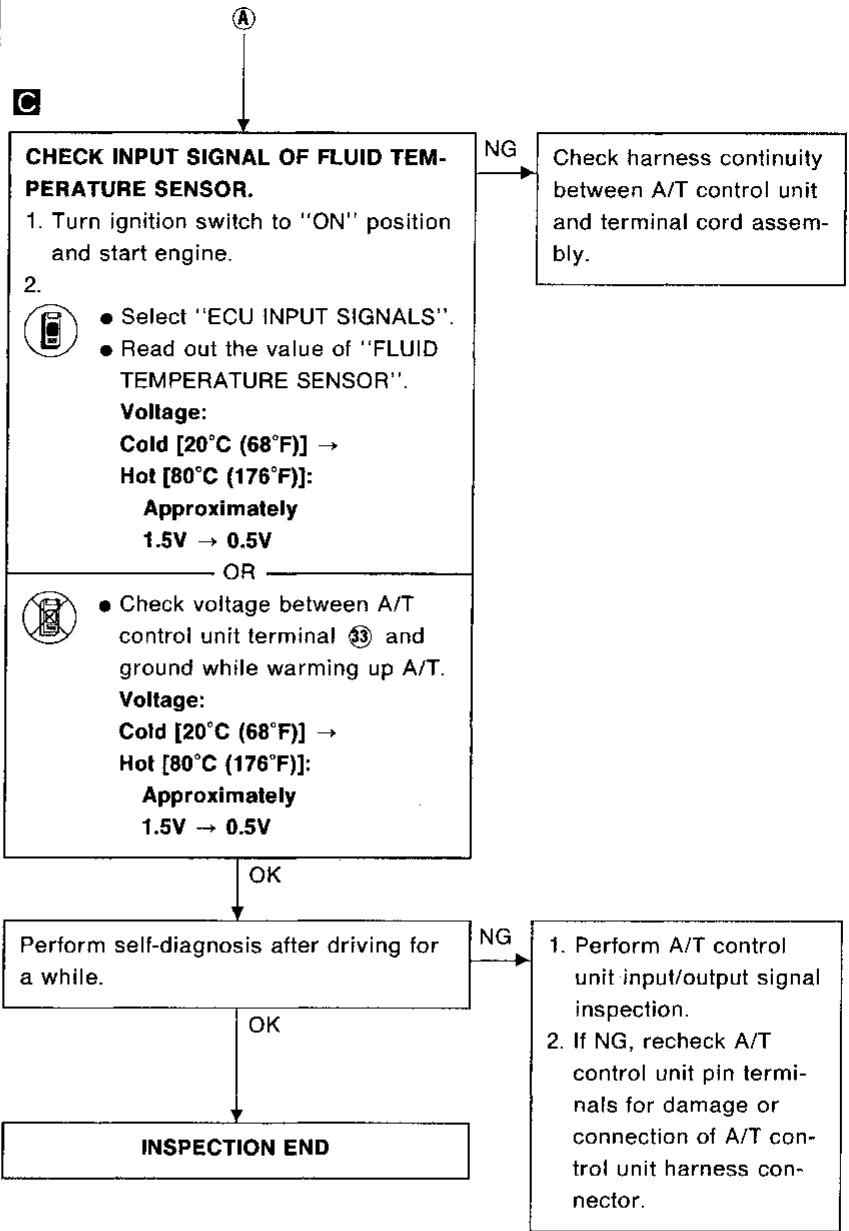
**RECORD**

SAT208H

**C**

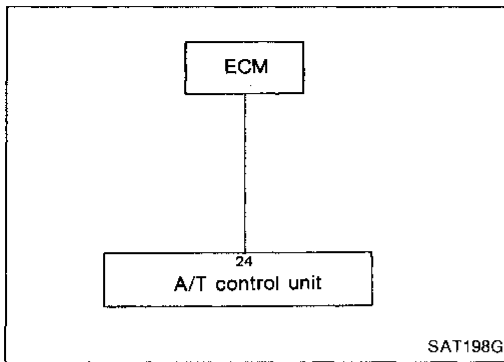
SAT990B



# TROUBLE DIAGNOSES

## Self-diagnosis System (Cont'd)

### ENGINE SPEED SIGNAL CIRCUIT CHECK

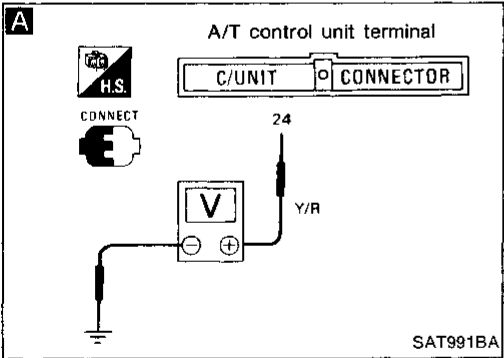
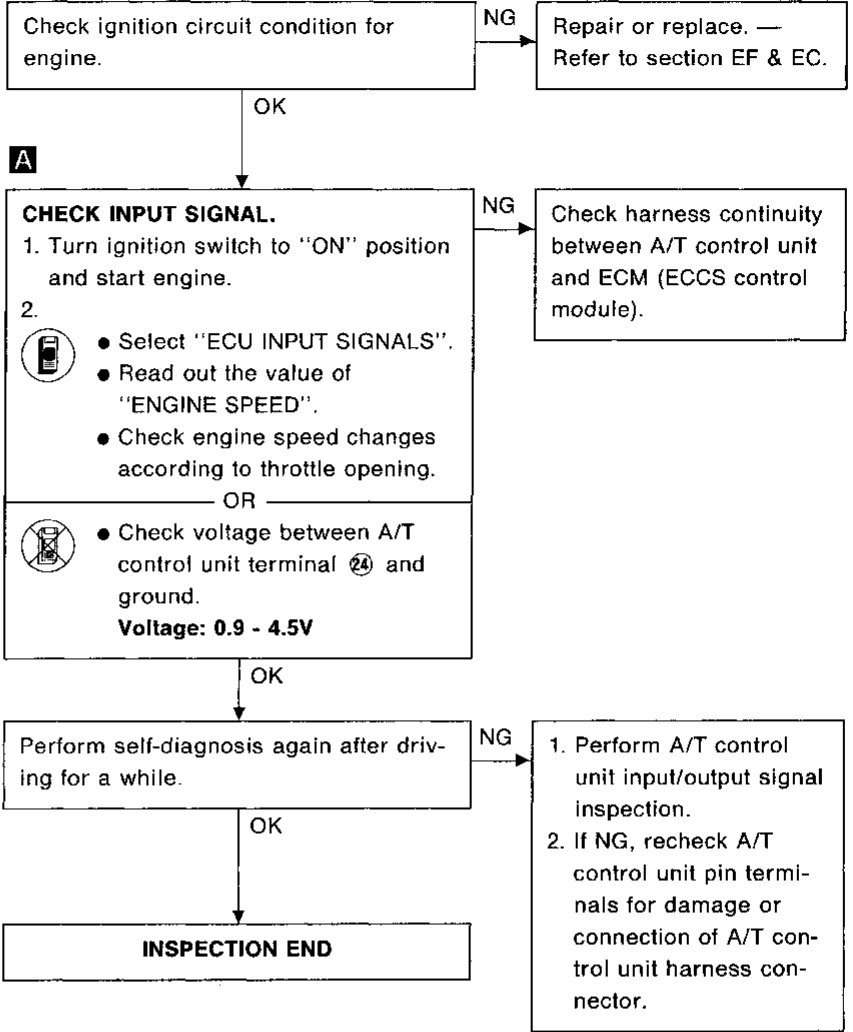


**A**

☆ MONITOR ☆ NO FAIL	
VHCL/S SE·A/T	0km/h
VHCL/S SE·MTR	5km/h
THRTL POS SEN	0.5V
FLUID TEMP SE	0.6V
BATTERY VOLT	13.4V
ENGINE SPEED	768rpm
OVERDRIVE SW	OFF
P/N POSI SW	ON
R POSITION SW	OFF

RECORD

SAT209H



GI

MA

EM

LC

EF &amp; EC

FE

CL

MT

AT

PD

FA

RA

BR

ST

BF

HA

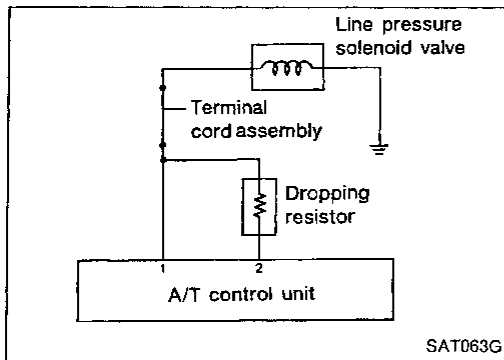
EL

IDX

# TROUBLE DIAGNOSES

## Self-diagnosis System (Cont'd)

### LINE PRESSURE SOLENOID VALVE CIRCUIT CHECK



**A**

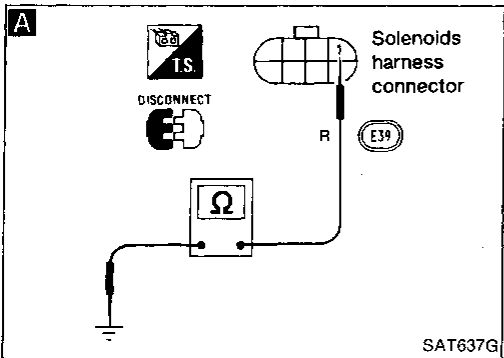
**CHECK GROUND CIRCUIT.**

1. Turn ignition switch to "OFF" position.
2. Disconnect terminal cord assembly connector in engine compartment.
3. Check resistance between terminal ① and ground.

**Resistance: 2.5 - 5Ω**

NG

1. Remove control valve assembly. — Refer to "ON-VEHICLE SERVICE", AT-97.
2. Check the following items.
  - Line pressure solenoid valve — Refer to "Electrical Components Inspection", AT-79.
  - Harness continuity of terminal cord assembly



**B**

**CHECK POWER SOURCE CIRCUIT.**

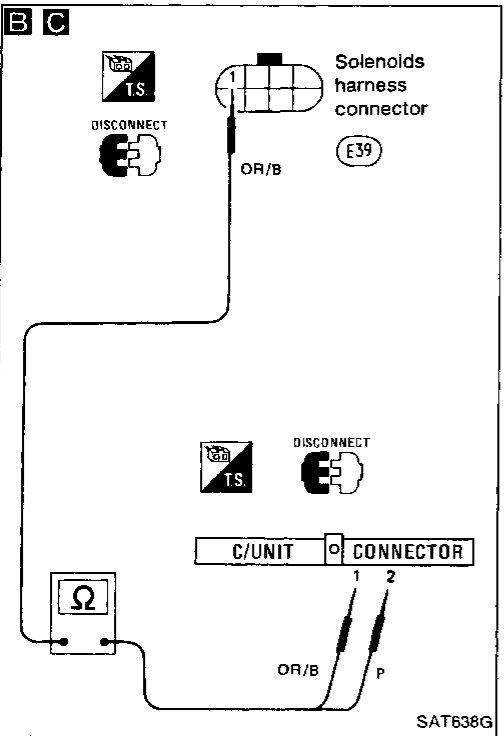
1. Turn ignition switch to "OFF" position.
2. Disconnect A/T control unit connector.
3. Check resistance between terminal ① and A/T control unit terminal ②.

**Resistance: 11.2 - 12.8Ω**

NG

Check the following items.

- Dropping resistor — Refer to "Electrical Components Inspection", AT-79.
- Harness continuity between A/T control unit ② and terminal cord assembly



**C**

**CHECK POWER SOURCE CIRCUIT**

1. Turn ignition switch to "OFF" position.
2. Check resistance between terminal ① and A/T control unit terminal ①.

**Resistance: Approximately 0Ω**

3. Reinstall any part removed.

NG

Repair or replace harness between A/T control unit ① and terminal cord assembly.

OK

Perform self-diagnosis after driving for a while.

NG

1. Perform A/T control unit input/output signal inspection.
2. If NG, recheck A/T control unit pin terminals for damage or connection of A/T control unit harness connector.

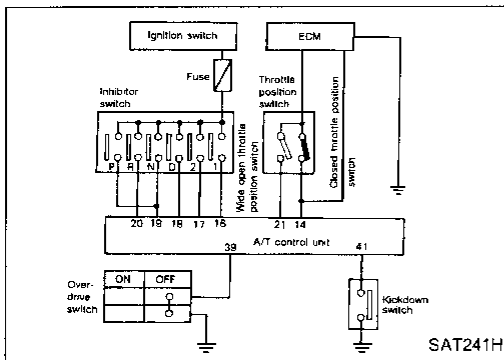
OK

**INSPECTION END**

# TROUBLE DIAGNOSES

## Self-diagnosis System (Cont'd)

### INHIBITOR, OVERDRIVE, KICKDOWN AND CLOSED THROTTLE POSITION SWITCH CIRCUIT CHECKS



**A**

☆MONITOR ☆NO FAIL	
VHCL/S SE•A/T	0km/h
VHCL/S SE•MTR	5km/h
THRTL POS SEN	0.5V
FLUID TEMP SE	0.6V
BATTERY VOLT	13.4V
ENGINE SPEED	768rpm
OVERDRIVE SW	OFF
P/N POSI SW	ON
R POSITION SW	OFF

**RECORD**

SAT210H

**A**

#### CHECK INHIBITOR SWITCH CIRCUIT.

1. Turn ignition switch to "ON" position.  
(Do not start engine.)

2.



- Select "ECU INPUT SIGNALS".
- Read out "R, N, D, 1 and 2 position switches" moving selector lever to each position.
- Check the selector lever position is indicated properly.

OR



- Check voltage between A/T control unit terminal ⑬, ⑭, ⑮, ⑯, ⑰ and ground while moving selector lever through each position.

**Voltage:**

**B: Battery voltage**

**0: 0V**

Lever position	Terminal No.				
	⑱	⑲	⑱	⑰	⑬
P, N	B	0	0	0	0
R	0	B	0	0	0
D	0	0	B	0	0
2	0	0	0	B	0
1	0	0	0	0	B

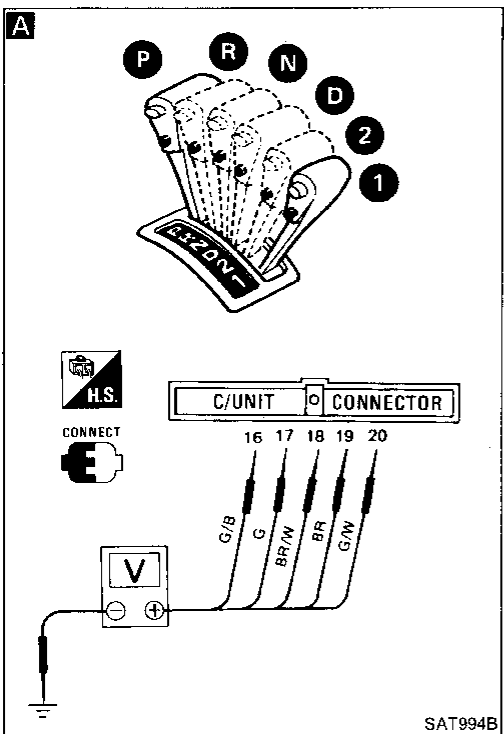
NG

Check the following items.

- Inhibitor switch — Refer to "Electrical Components Inspection", AT-78.
- Harness continuity between ignition switch and inhibitor switch
- Harness continuity between inhibitor switch and A/T control unit

OK

**A**



GI

MA

EM

LC

EF & EC

FE

CL

MT

**AT**

PD

FA

RA

BR

ST

BF

HA

EL

IDX

# TROUBLE DIAGNOSES

## Self-diagnosis System (Cont'd)

**B**

OVER DRIVE  
ON OFF

ON

OFF

☆ MONITOR ☆ NO FAIL	
VHCL/S SE-A/T	0km/h
VHCL/S SE-MTR	5km/h
THRTL POS SEN	0.5V
FLUID TEMP SE	0.6V
BATTERY VOLT	13.4V
ENGINE SPEED	768rpm
OVERDRIVE SW	OFF
P/N POSI SW	ON
R POSITION SW	OFF

RECORD

SAT211H

**A**

**B**

**CHECK OVERDRIVE SWITCH CIRCUIT.**

- Turn ignition switch to "ON" position. (Do not start engine.)
- Select "ECU INPUT SIGNALS".
  - Read out "SELECTOR LEVER SWITCH (Overdrive switch)".
  - Check the selector lever switch position is indicated properly. (Selector lever switch "ON" displayed on CONSULT means overdrive "OFF".)

OR

- Check voltage between A/T control unit terminal 39 and ground when overdrive switch is in "ON" position and in "OFF" position.

NG

Check the following items.

- Overdrive switch — Refer to "Electrical Components Inspection", AT-77.
- Harness continuity between A/T control unit and overdrive switch
- Harness continuity of ground circuit for overdrive switch

Switch position	Voltage
ON	Battery voltage
OFF	1V or less

OK

**B**

**B**

OVER DRIVE  
ON OFF

ON

OFF

H.S. CONNECT

C/UNIT CONNECTOR

39

GY


V

SAT995B

# TROUBLE DIAGNOSES

## Self-diagnosis System (Cont'd)

**C**


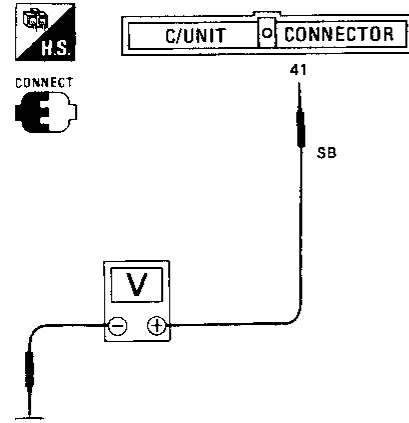


☆ MONITOR ☆ NO FAIL		
D POSITION SW	OFF	
2 POSITION SW	OFF	
1 POSITION SW	OFF	
ASCD·CRUISE	OFF	
ASCD·OD CUT	OFF	
KICKDOWN SW	OFF	
POWERSHIFT SW	OFF	
CLOSED THL/SW	ON	
W/O THRL/P-SW	OFF	

**RECORD**

SAT212H

**C**

SAT337C

**B**

**C**

**CHECK KICKDOWN SWITCH CIRCUIT.**

- Turn ignition switch to "ON" position. (Do not start engine.)
- Select "ECU INPUT SIGNALS".
  - Read out "KICKDOWN SWITCH" depressing accelerator pedal fully.
  - Check kickdown switch position is indicated properly.

OR

- Check voltage between A/T control unit terminal ① and ground while depressing accelerator pedal slowly. (after warming up engine)

**Voltage:**

- When releasing accelerator pedal: 3 - 8V
- When depressing accelerator pedal fully: 1V or less

NG →

Check the following items.

- Kickdown switch
- Harness continuity between A/T control unit and kickdown switch
- Harness continuity of ground circuit for kickdown switch
- Adjust kickdown switch — Refer to "ON-VEHICLE SERVICE", AT-99.

OK

**C**

GI

MA

EM

LC

EF & EC

FE

CL

MT

AT

PD

FA

RA

BR

ST

BF

HA


EL

IDX

# TROUBLE DIAGNOSES

## Self-diagnosis System (Cont'd)

**D**


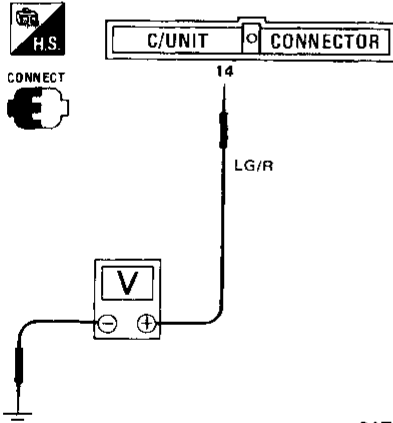


☆ MONITOR	☆ NO FAIL	
D POSITION SW	OFF	
2 POSITION SW	OFF	
1 POSITION SW	OFF	
ASCD·CRUISE	OFF	
ASCD·OD CUT	OFF	
KICKDOWN SW	OFF	
POWERSHIFT SW	OFF	
CLOSED THL/SW	ON	
W/O THRL/P-SW	OFF	

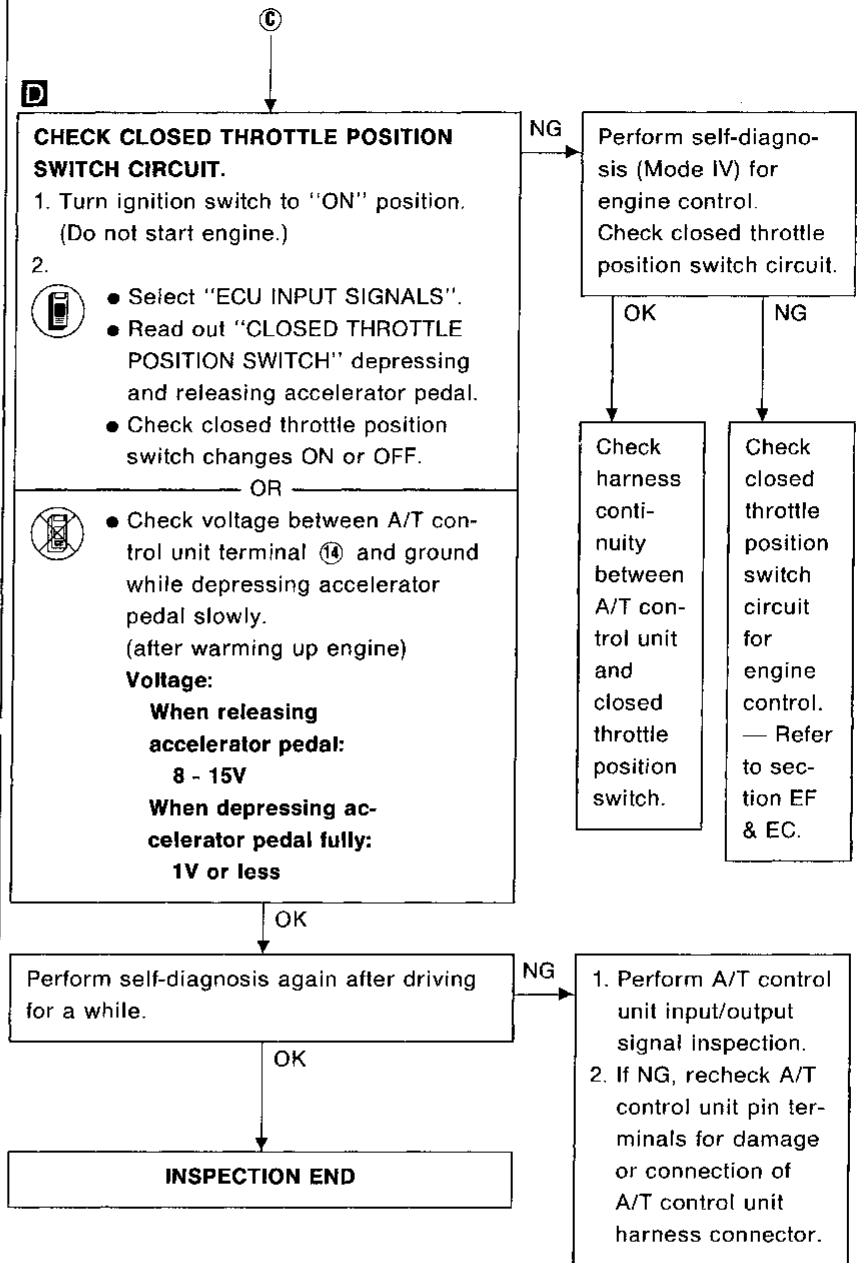
**RECORD**

SAT213H

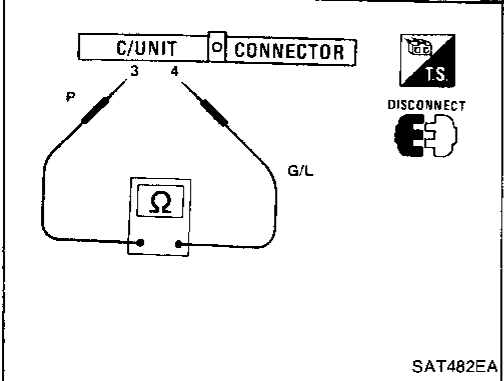
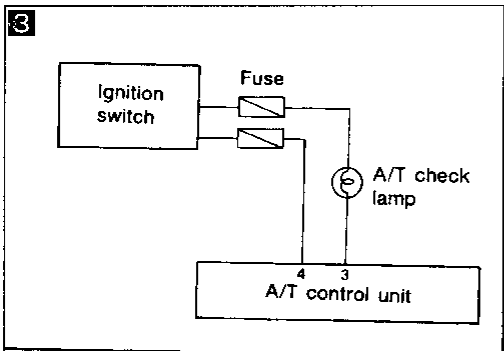
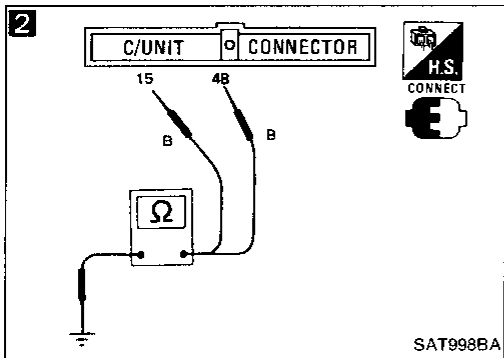
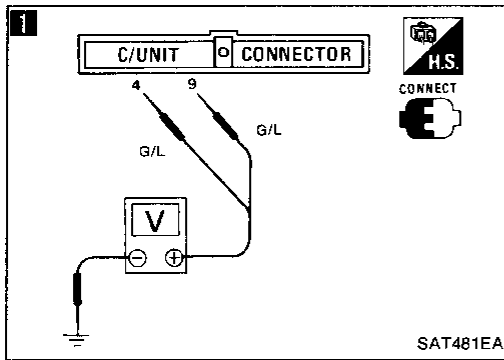
**D**

SAT639G







## Diagnostic Procedure 1

**SYMPTOM: A/T CHECK lamp does not come on for about 2 seconds when turning ignition switch to "ON".**

**1**

### CHECK A/T CONTROL UNIT POWER SOURCE.

1. Turn ignition switch to "ON" position. (Do not start engine.)
2. Check voltage between A/T control unit terminals ④, ⑨ and ground. **Battery voltage should exist.**

NG

Check the following items.

- Harness continuity between ignition switch and A/T control unit.
- Ignition switch and fuse — Refer to section EL.

OK

**2**

### CHECK A/T CONTROL UNIT GROUND CIRCUIT.

1. Turn ignition switch to "OFF" position.
2. Disconnect A/T control unit connector.
3. Check resistance between A/T control unit terminals ⑮, ④B and ground. **Resistance: Approximately 0Ω**

NG

Check harness continuity between A/T control unit and ground.

OK

**3**

### CHECK LAMP CIRCUIT.

1. Turn ignition switch to "OFF" position.
2. Disconnect A/T control unit connector.
3. Check resistance between A/T control unit terminals ③ and ④. **Resistance: 50 - 100Ω**
4. Reinstall any part removed.

NG

Check the following items.

- A/T check lamp
- Harness continuity between ignition switch and A/T check lamp
- Harness continuity between A/T check lamp and A/T control unit

OK

Check again.

NG

1. Perform A/T control unit input/output signal inspection.
2. If NG, recheck A/T control unit pin terminals for damage or connection of A/T control unit harness connector.

OK

**INSPECTION END**

GI

MA

EM

LC

EF & EC

FE

CL

MT

AT

PD

FA

RA

BR

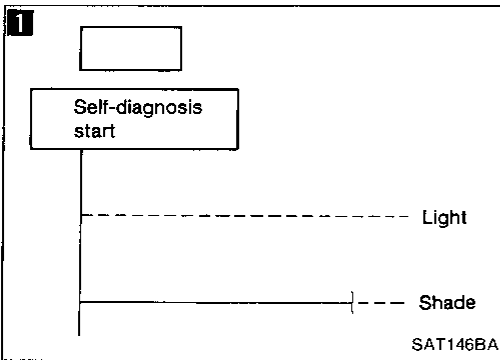
ST

BF

HA

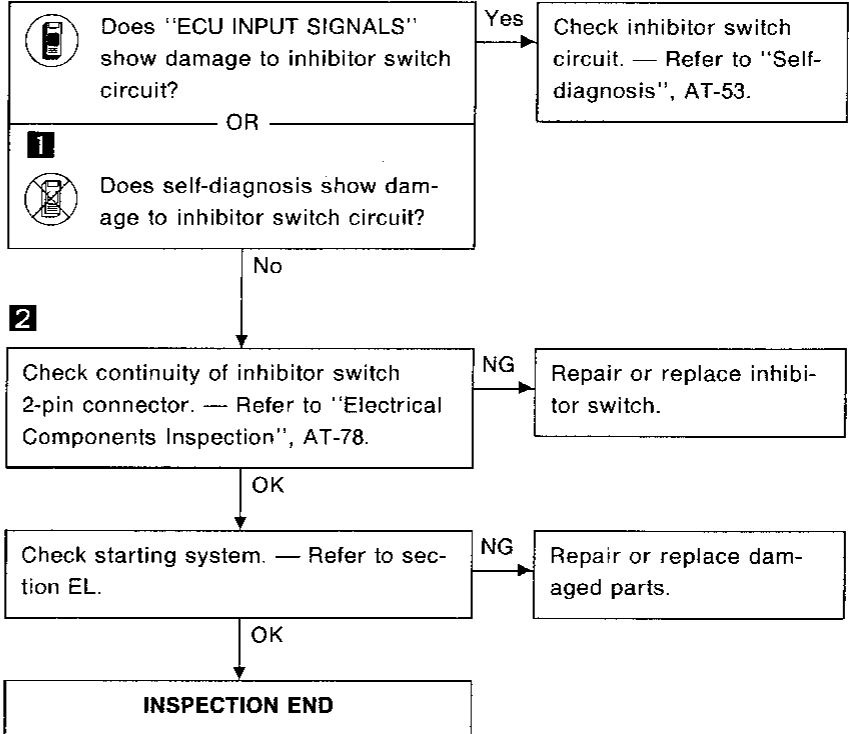
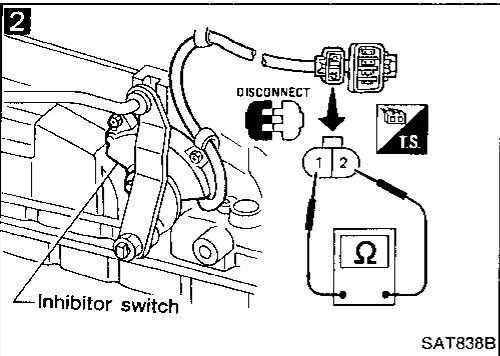
EL

IDX



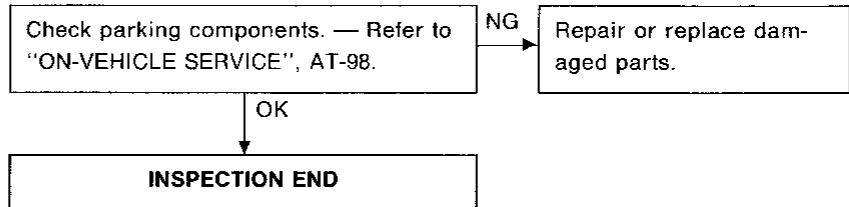
## Diagnostic Procedure 2

**SYMPTOM:** Engine cannot be started with selector lever in "P" or "N" position or engine can be started with selector lever in "D", "2", "1" or "R" position.



## Diagnostic Procedure 3

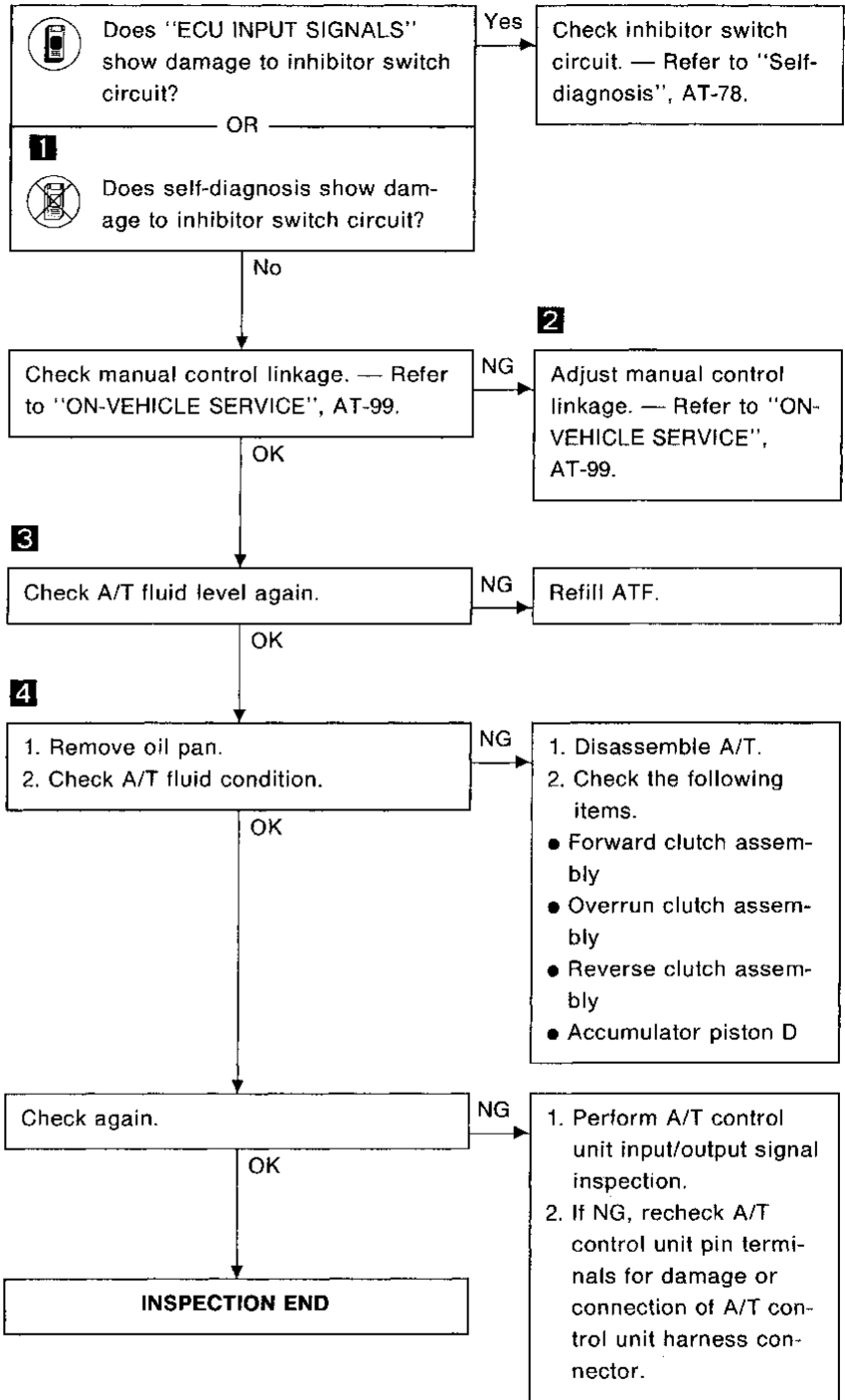
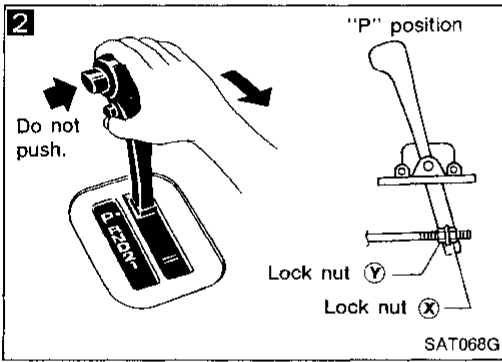
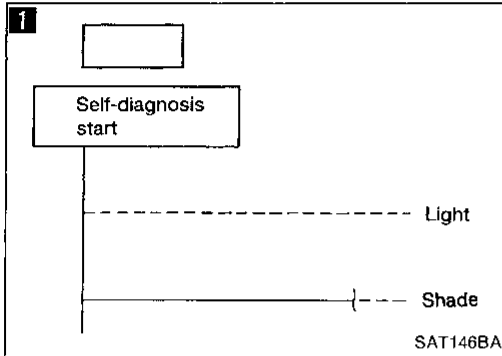
**SYMPTOM:** Vehicle moves when it is pushed forward or backward with selector lever in "P" position.



Diagnostic Procedure 4

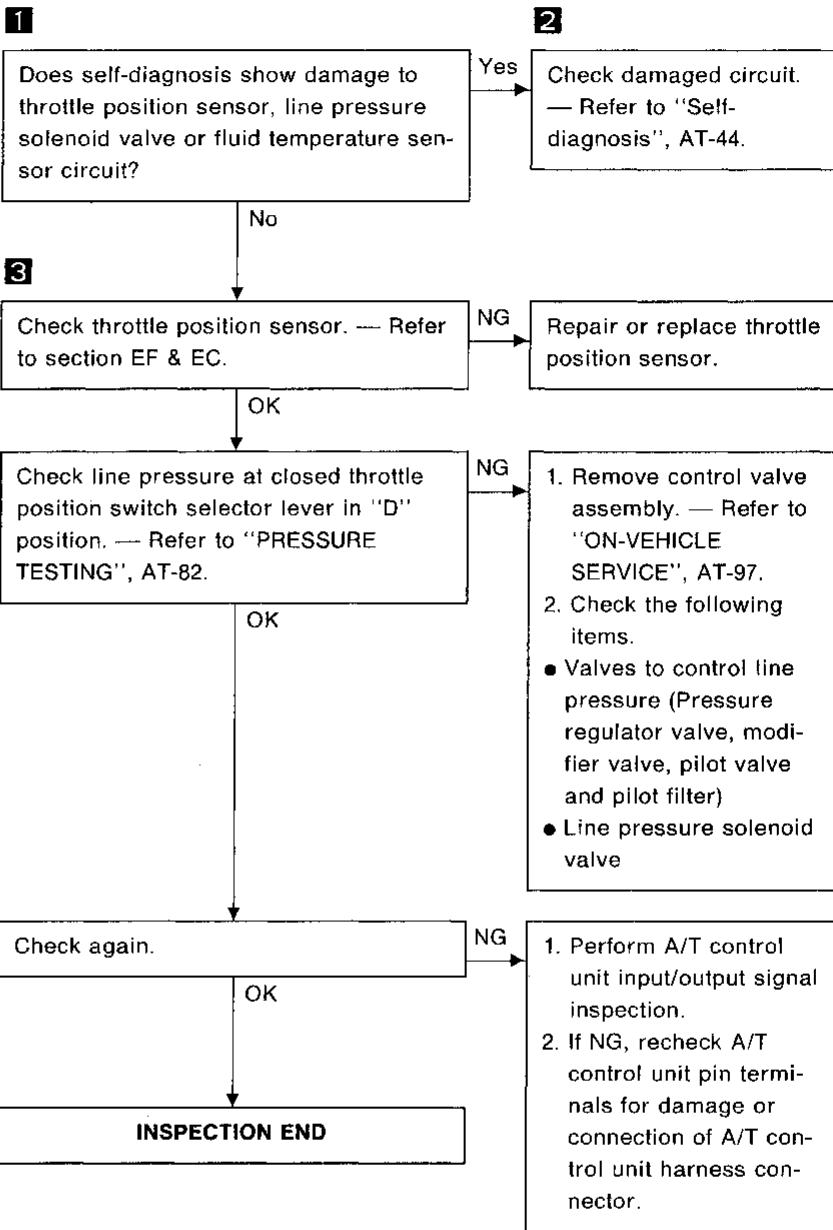
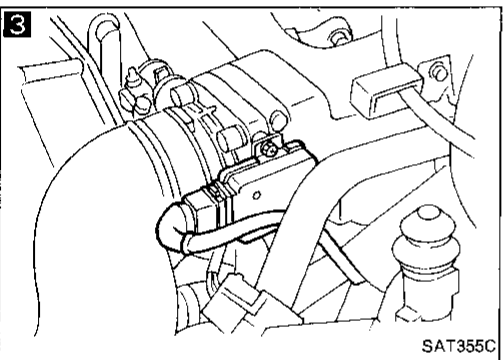
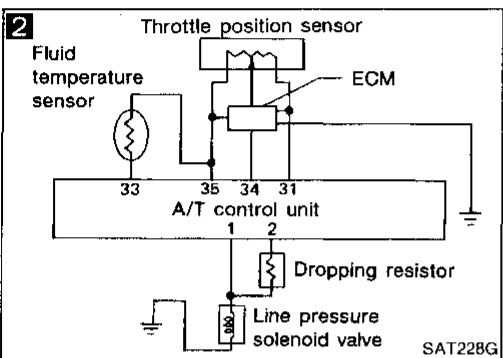
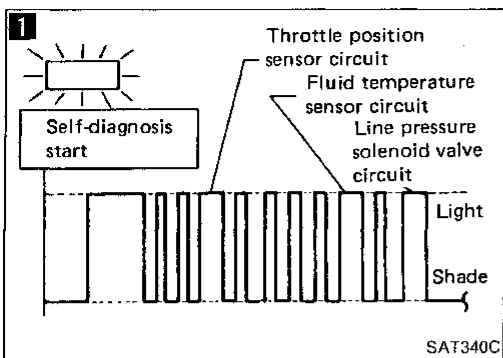
SYMPTOM: Vehicle moves forward or backward when selecting "N" position.

GI  
MA  
EM  
LC  
EF & EC  
FE  
CL  
MT  
AT  
PD  
FA  
RA  
BR  
ST  
BF  
HA  
EL  
IDX



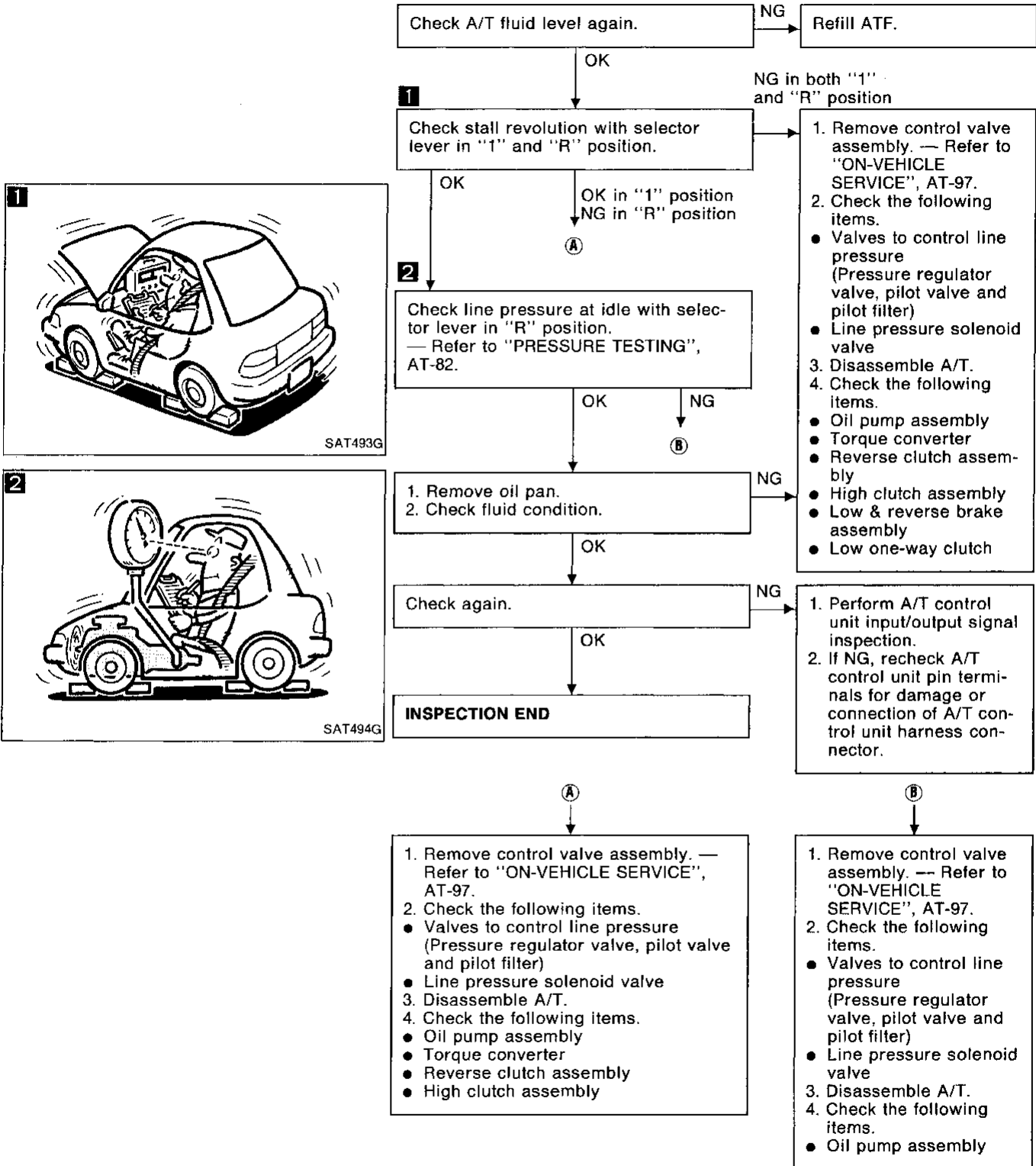
## Diagnostic Procedure 5

**SYMPTOM: There is large shock when changing from "N" to "R" position.**



**Diagnostic Procedure 6**

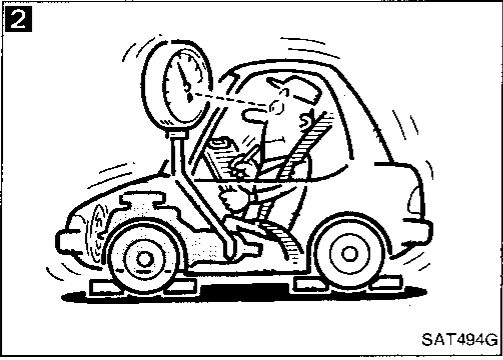
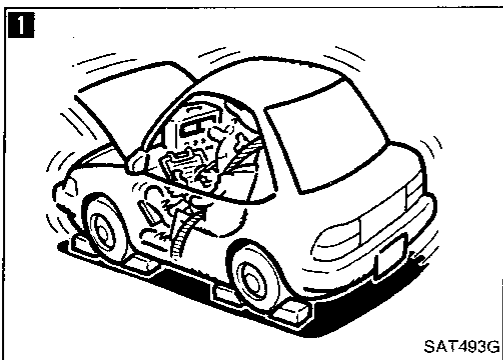
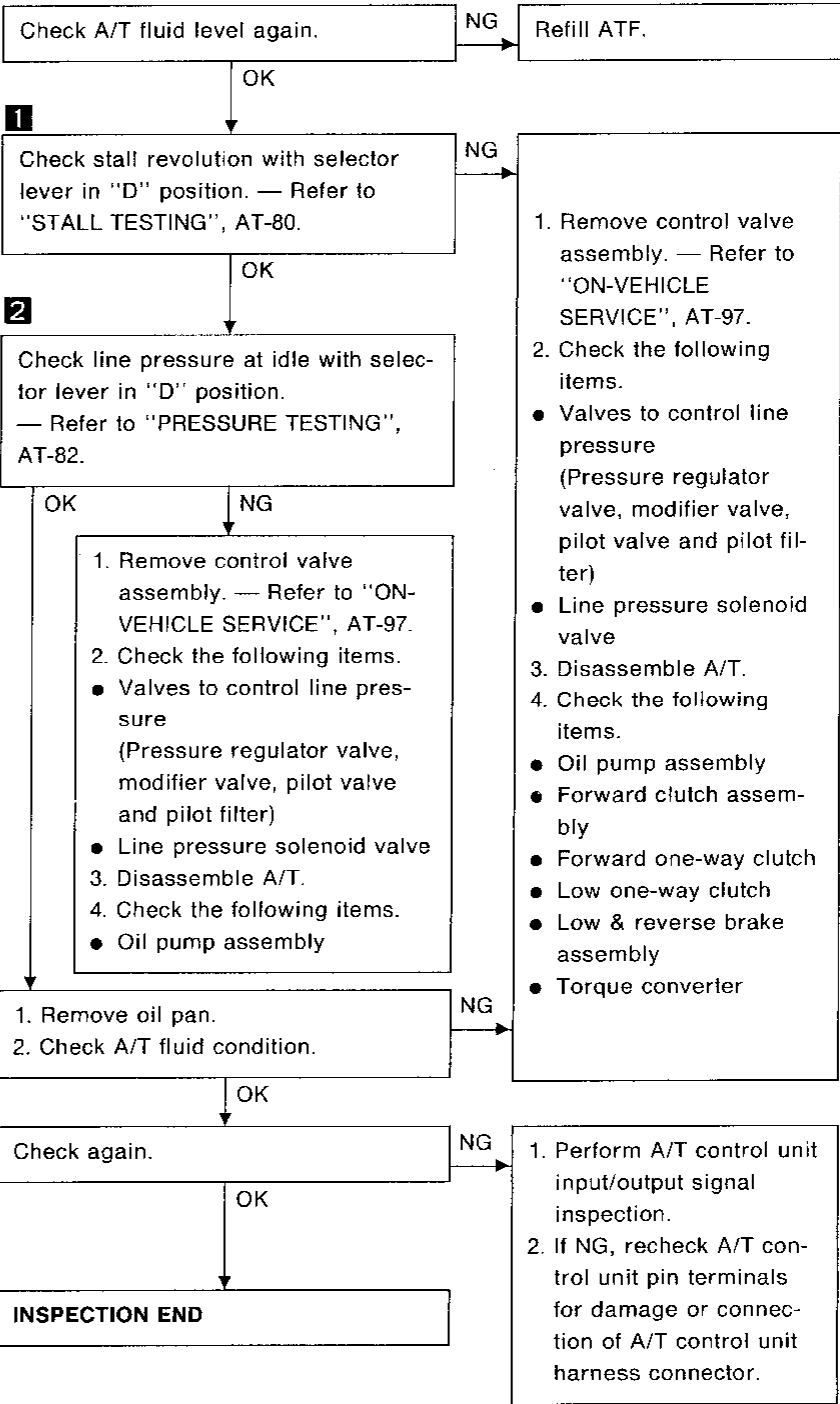
**SYMPTOM: Vehicle does not creep backward when selecting "R" position.**



GI  
MA  
EM  
LC  
EF & EC  
FE  
CL  
MT  
AT  
PD  
FA  
RA  
BR  
ST  
BF  
HA  
EL  
IDX

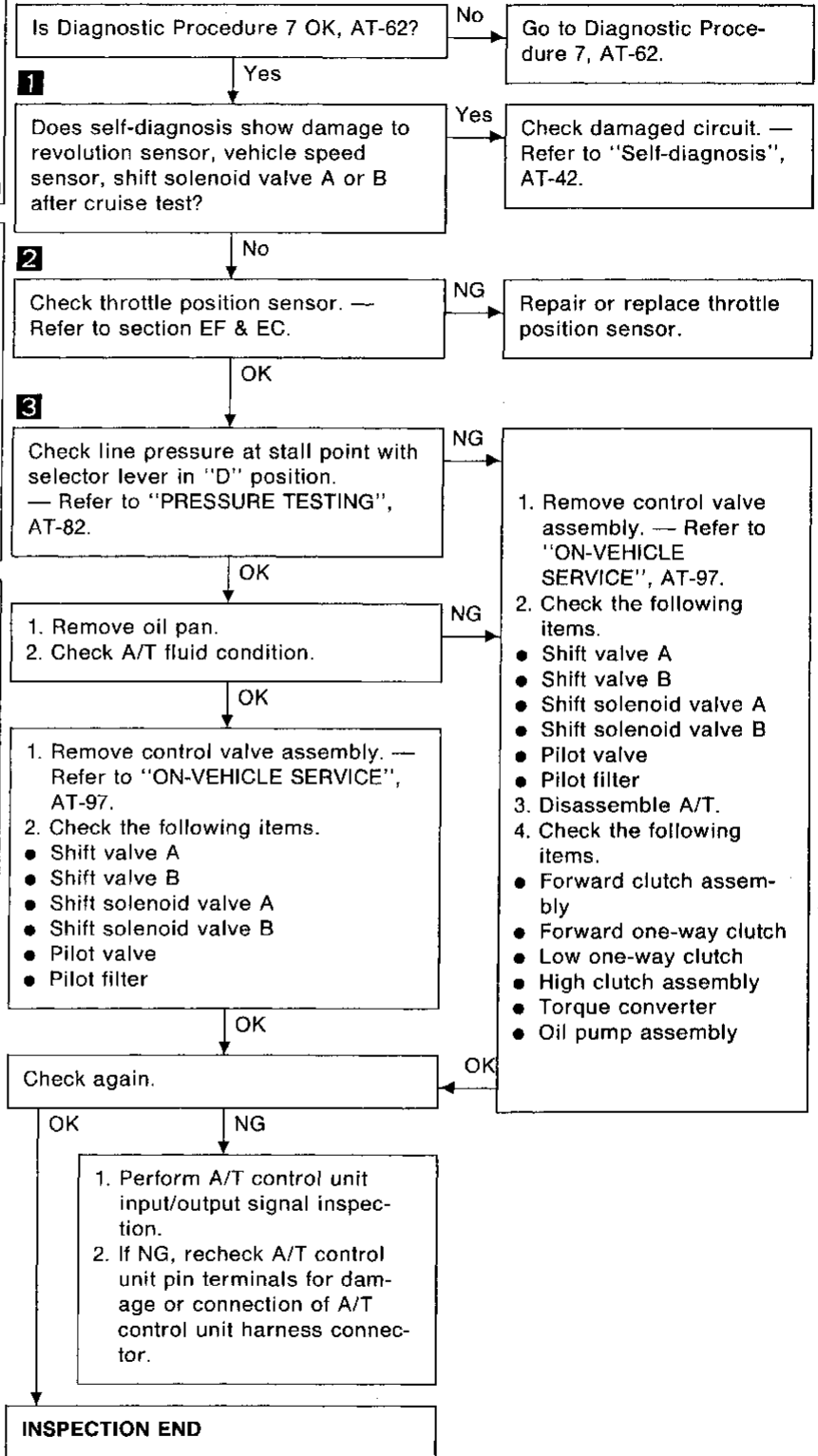
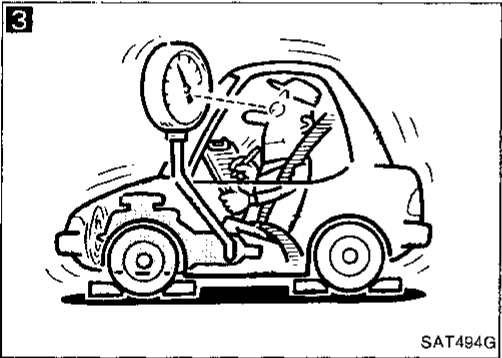
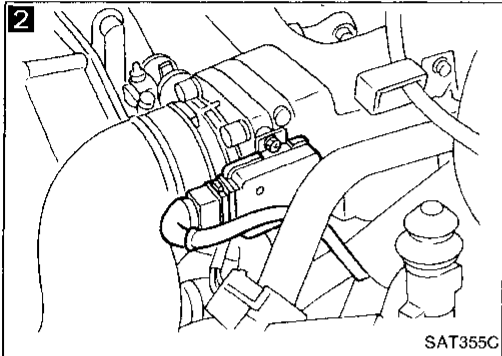
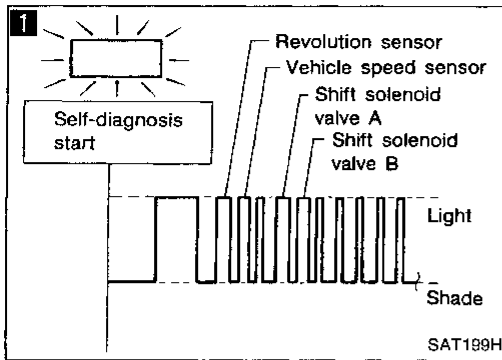
**Diagnostic Procedure 7**

**SYMPTOM: Vehicle does not creep forward when selecting "D", "2" or "1" position.**



**Diagnostic Procedure 8**

**SYMPTOM: Vehicle cannot be started from D, on Cruise test — Part 1.**

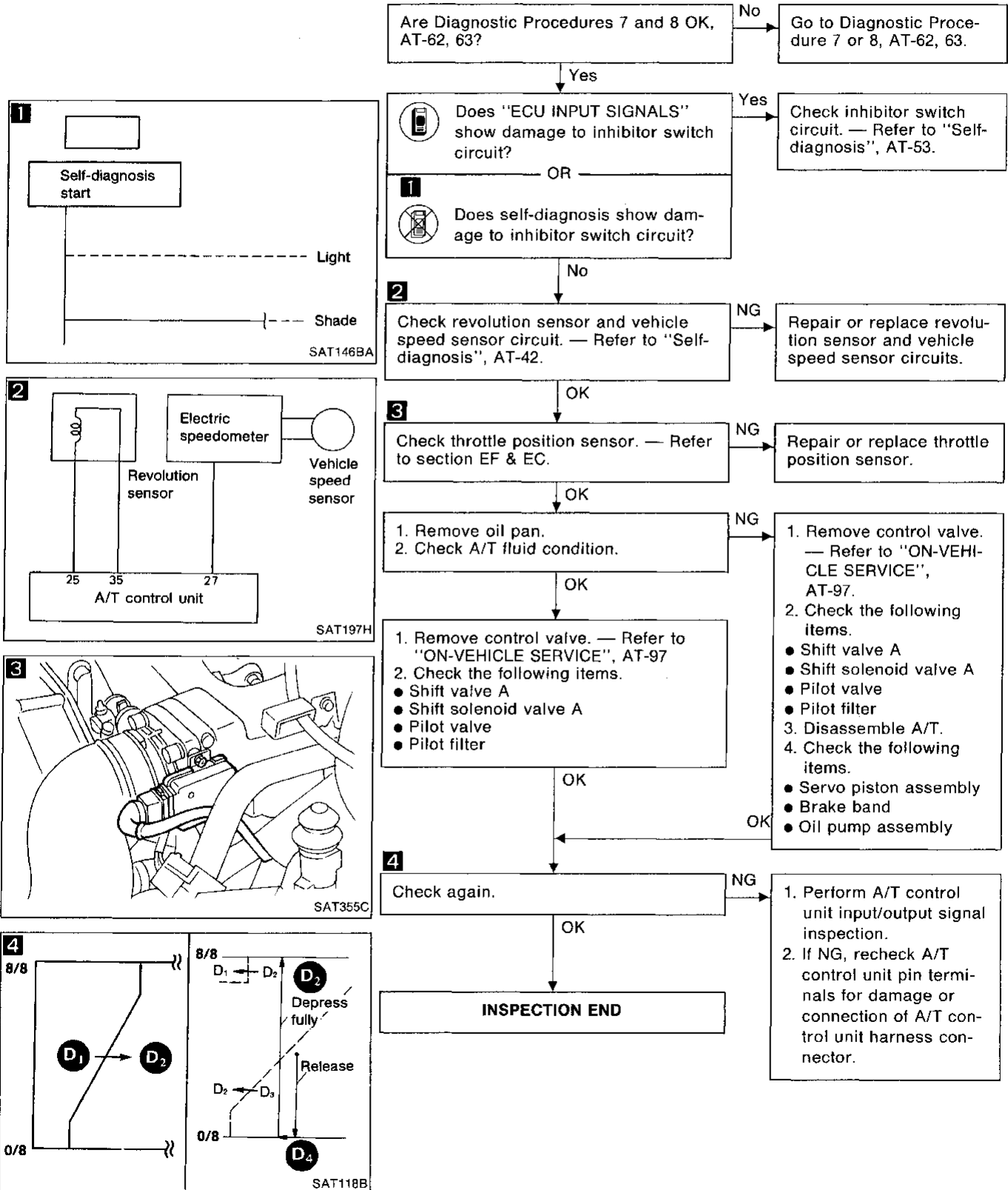


GI  
MA  
EM  
LC  
EF & EC  
FE  
CL  
MT  
AT  
PD  
FA  
RA  
BR  
ST  
BF  
HA  
EL  
IDX

## Diagnostic Procedure 9

**SYMPTOM: A/T does not shift from D<sub>1</sub> to D<sub>2</sub> at the specified speed.**

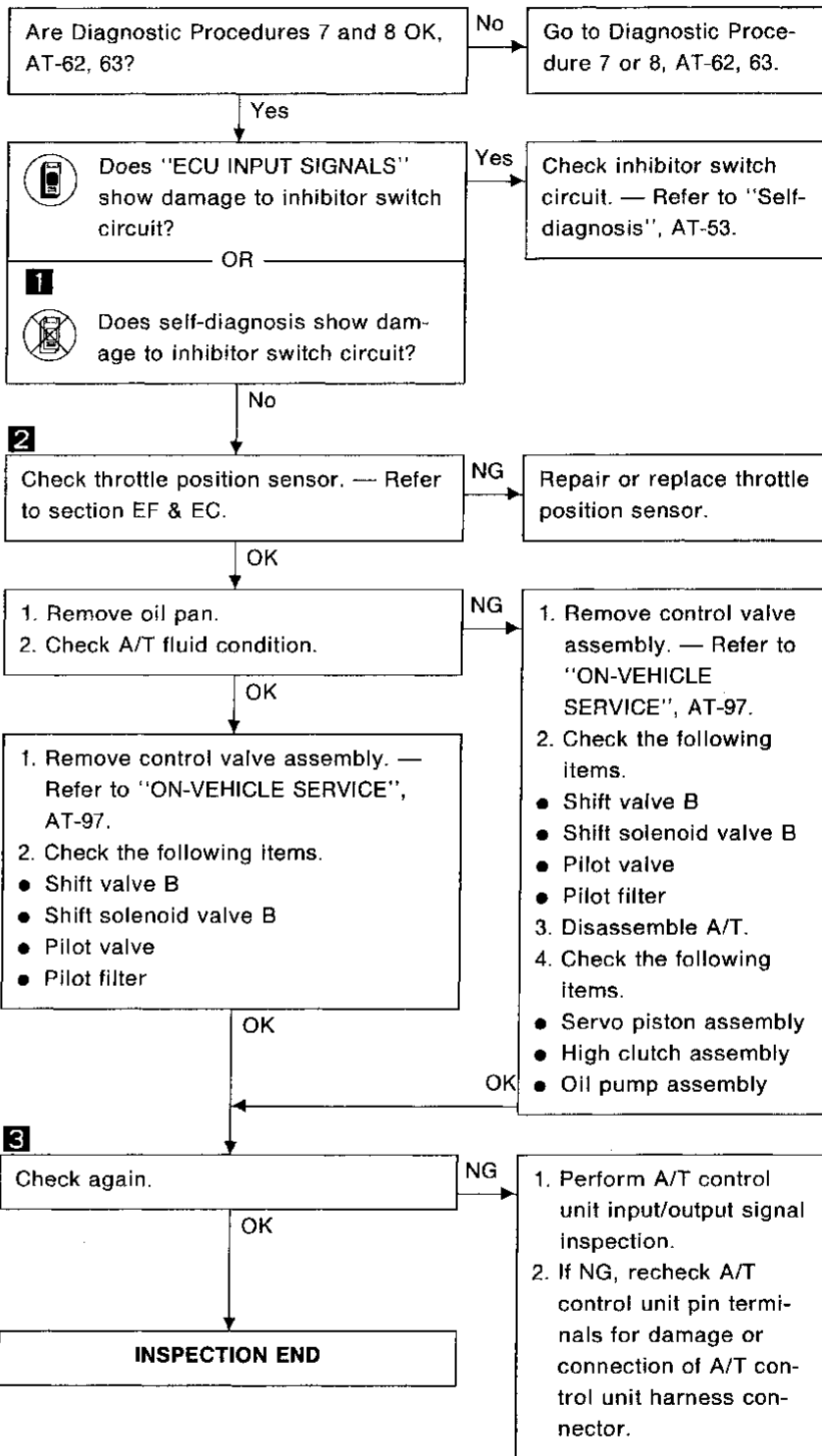
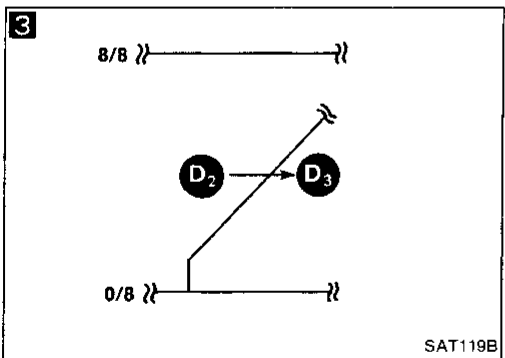
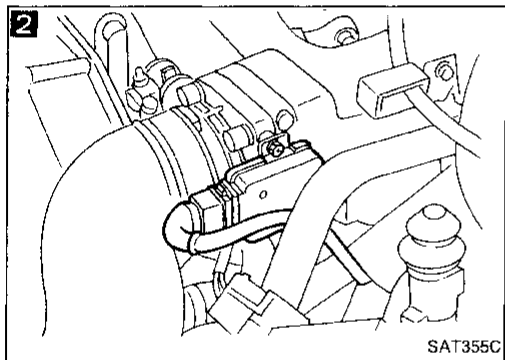
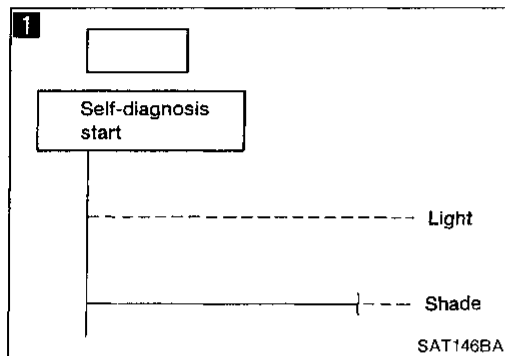
**A/T does not shift from D<sub>4</sub> to D<sub>2</sub> when depressing accelerator pedal fully at the specified speed.**





**Diagnostic Procedure 10**

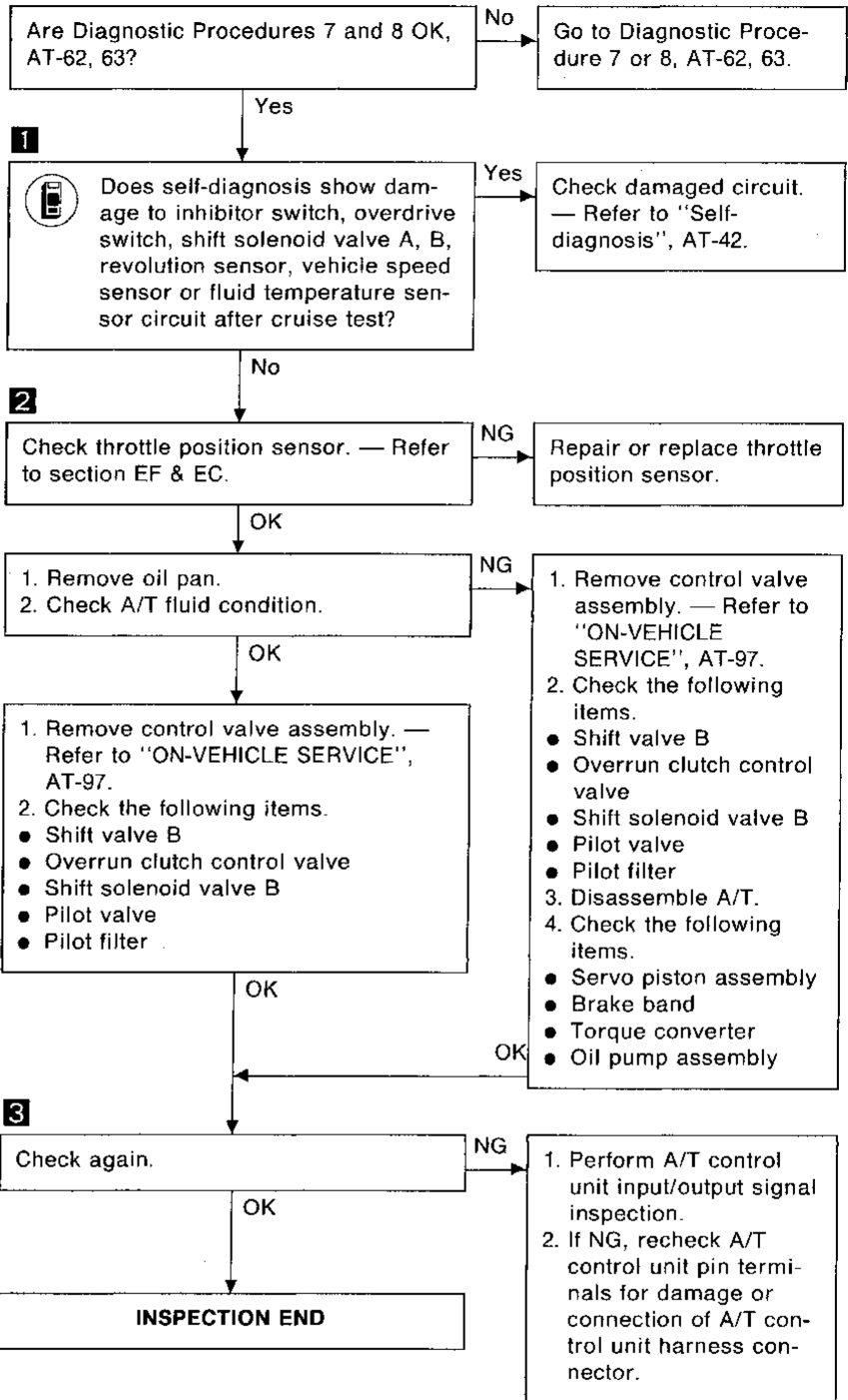
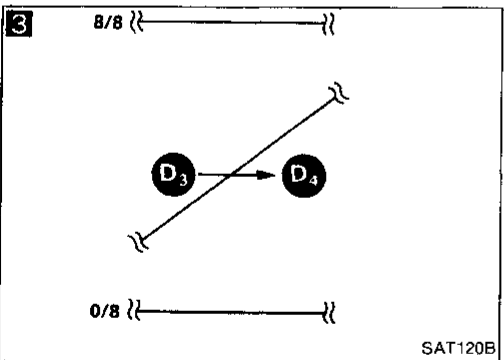
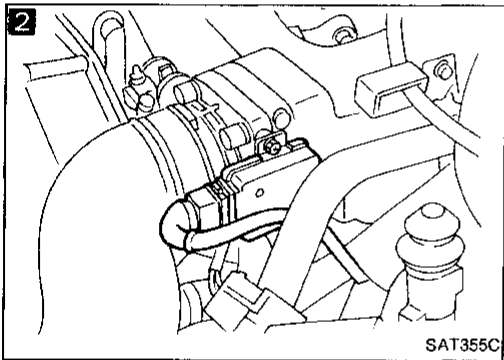
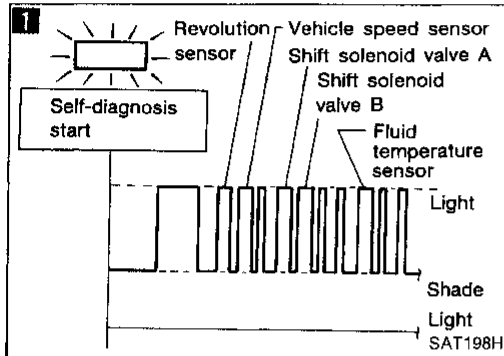
**SYMPTOM: A/T does not shift from D<sub>2</sub> to D<sub>3</sub> at the specified speed.**

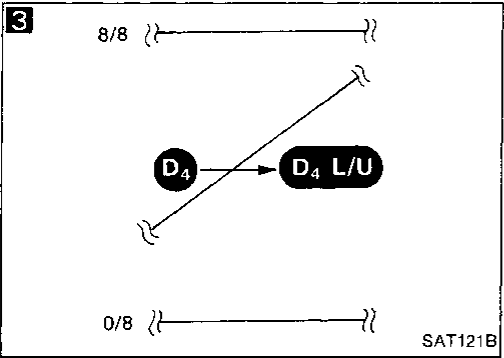
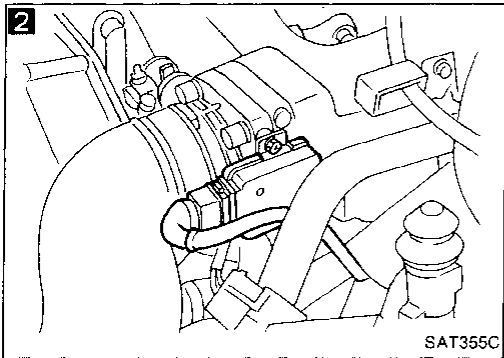
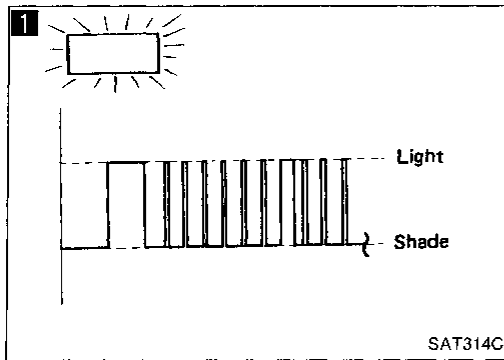


GI  
MA  
EM  
LC  
EF & EC  
FE  
CL  
MT  
AT  
PD  
FA  
RA  
BR  
ST  
BF  
HA  
EL  
IDX

## Diagnostic Procedure 11

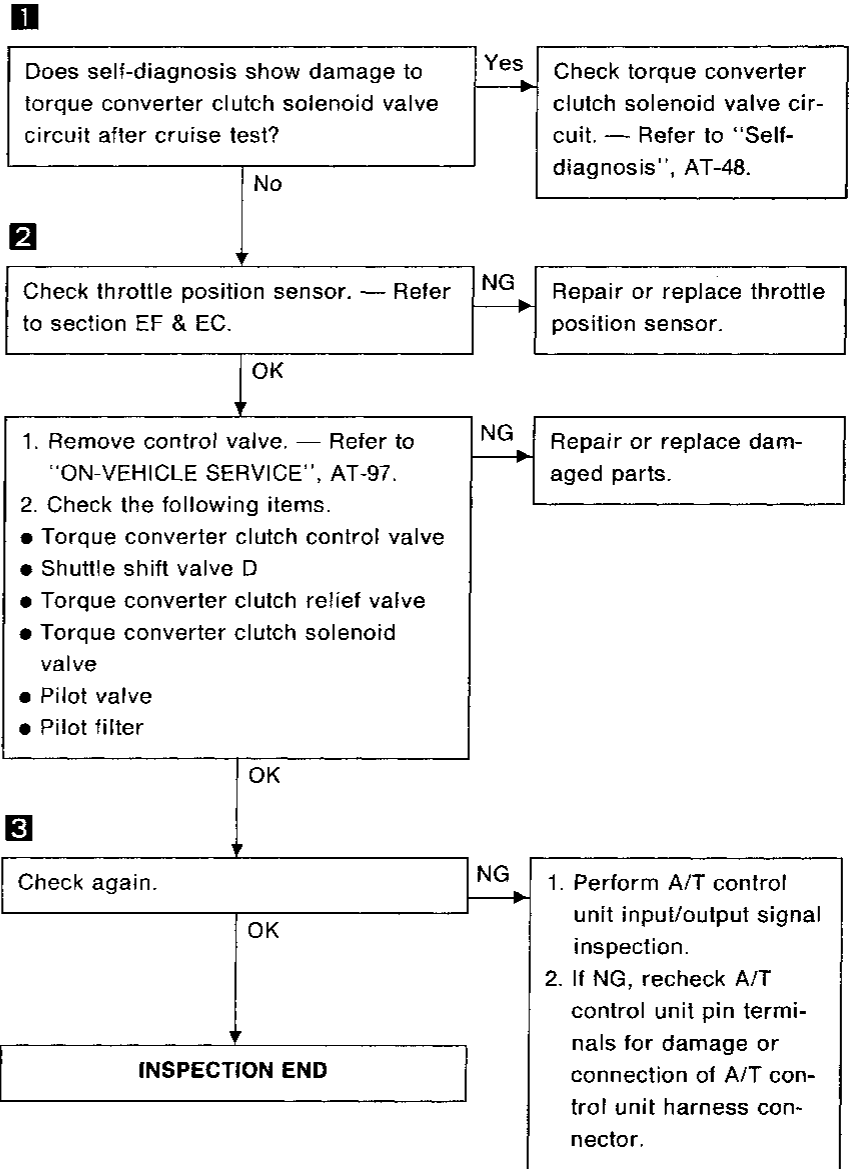
**SYMPTOM: A/T does not shift from D<sub>3</sub> to D<sub>4</sub> at the specified speed.**



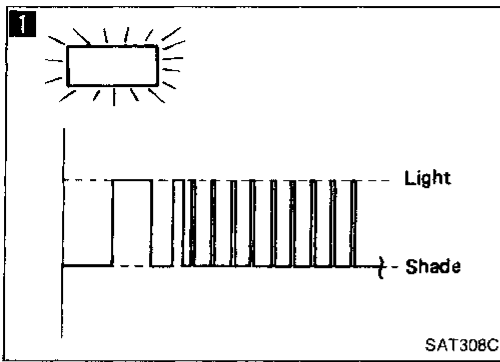


## Diagnostic Procedure 12

**SYMPTOM: A/T does not perform lock-up at the specified speed.**

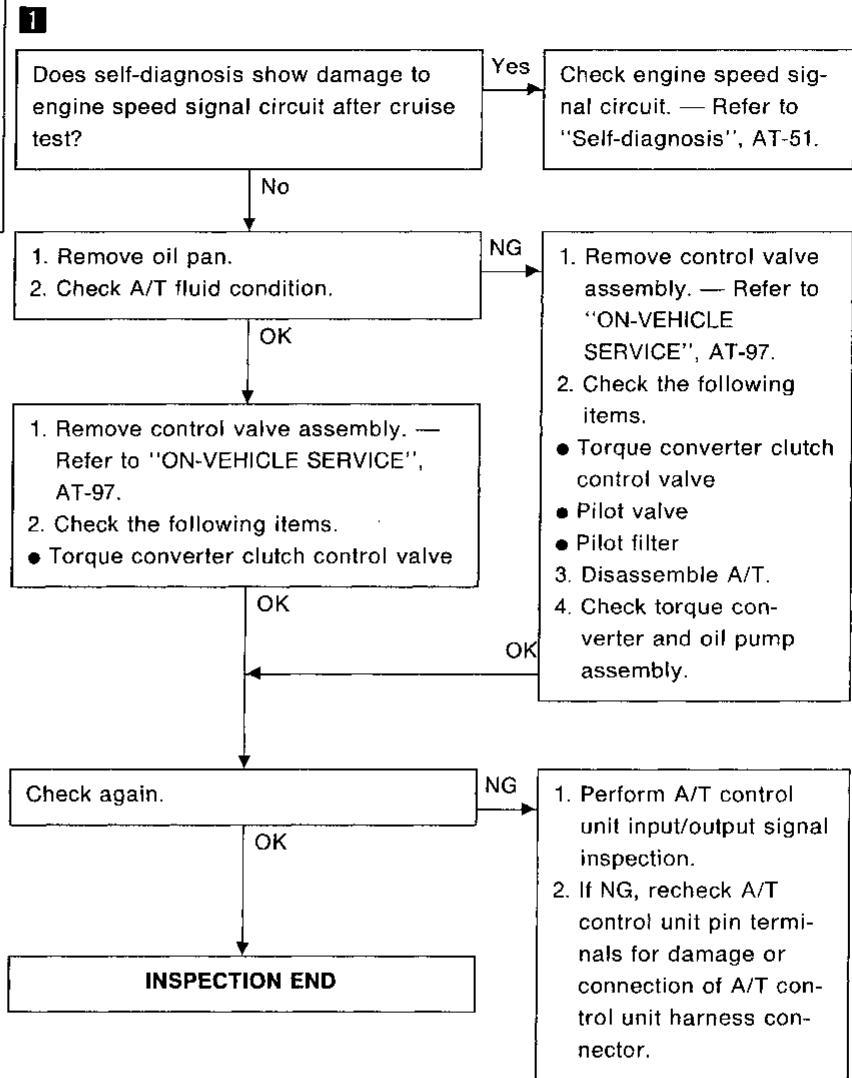


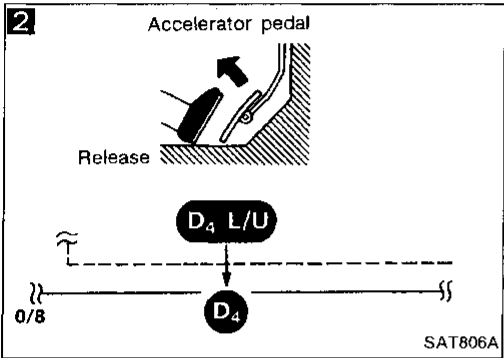
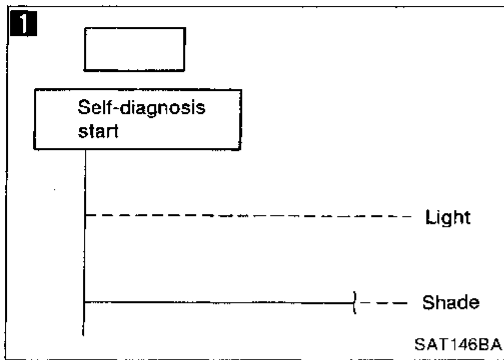
GI  
 MA  
 EM  
 LC  
 EF & EC  
 FE  
 CL  
 MT  
**AT**  
 PD  
 FA  
 RA  
 BR  
 ST  
 BF  
 HA  
 EL  
 IOX



## Diagnostic Procedure 13

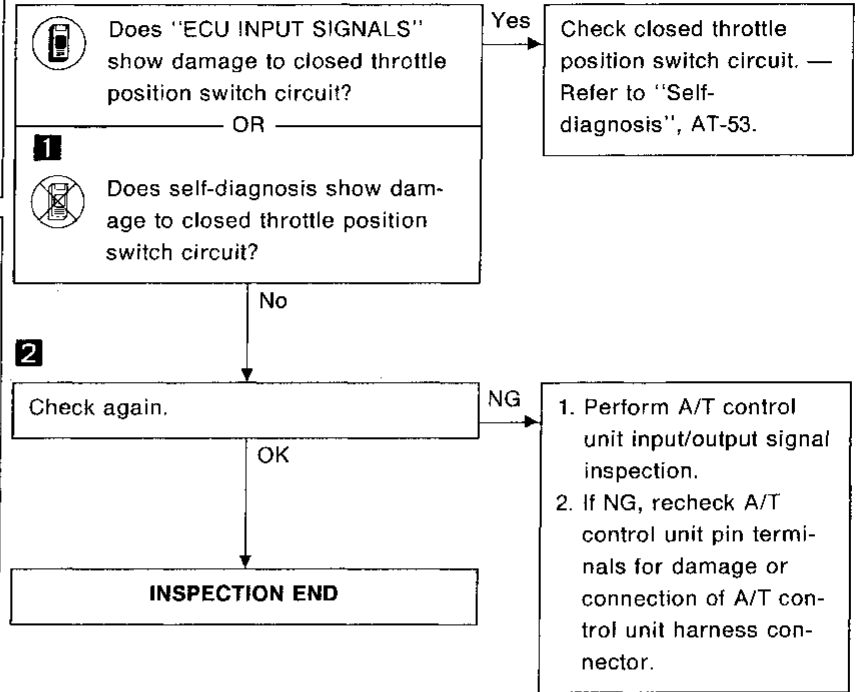
**SYMPTOM: A/T does not hold lock-up condition for more than 30 seconds.**





### Diagnostic Procedure 14

**SYMPTOM: Lock-up is not released when accelerator pedal is released.**



GI

MA

EM

LC

EF & EC

FE

CL

MT

**AT**

PD

FA

RA

BR

ST

BF

HA

EL

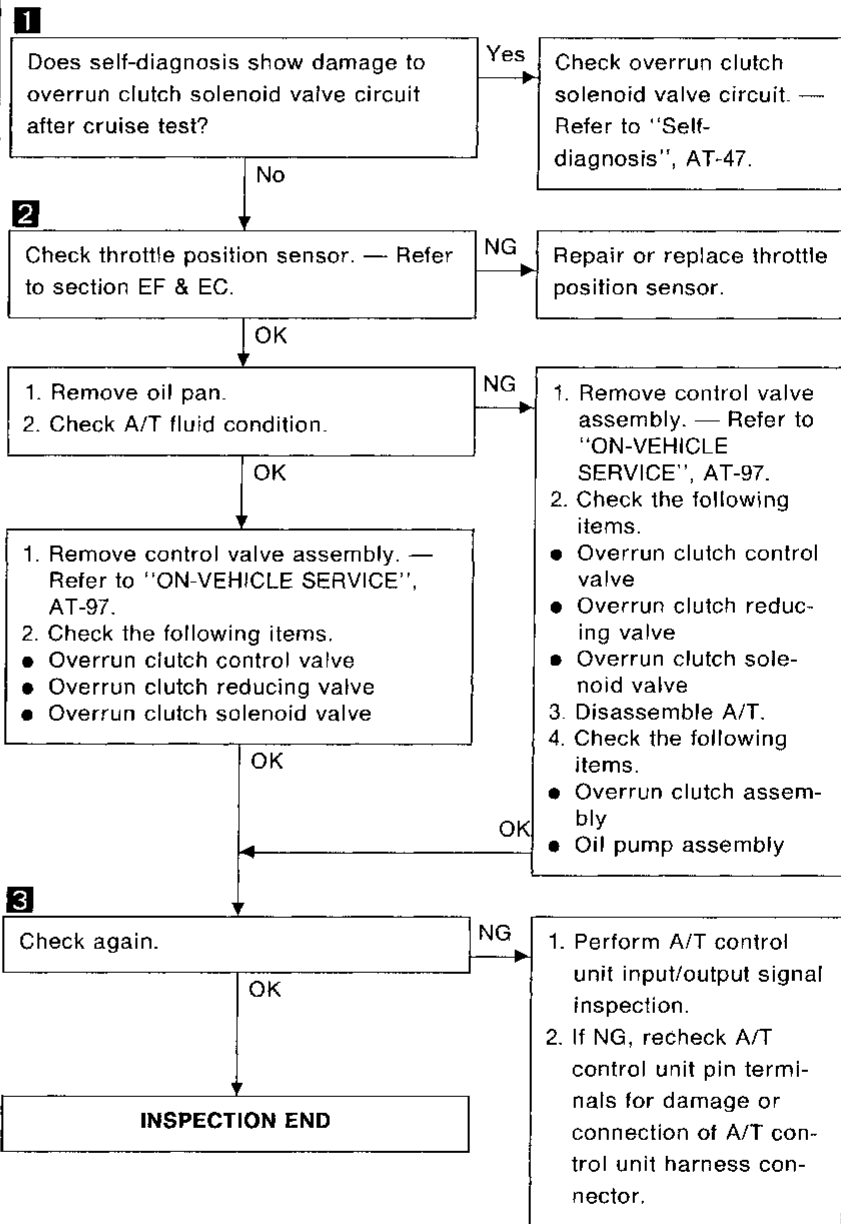
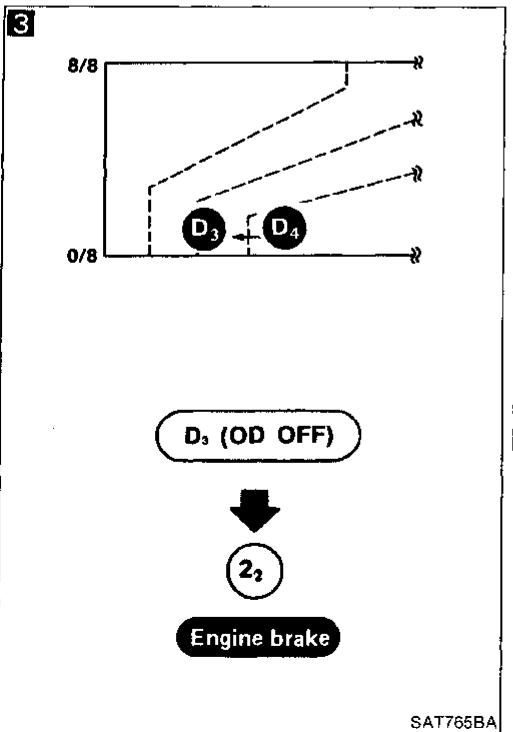
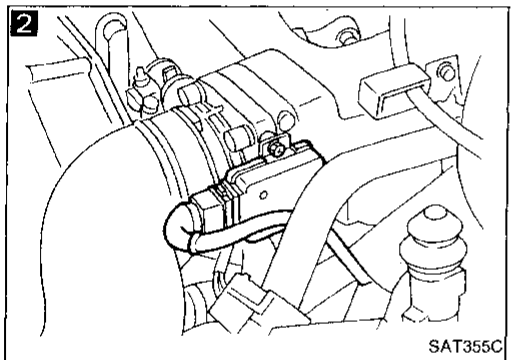
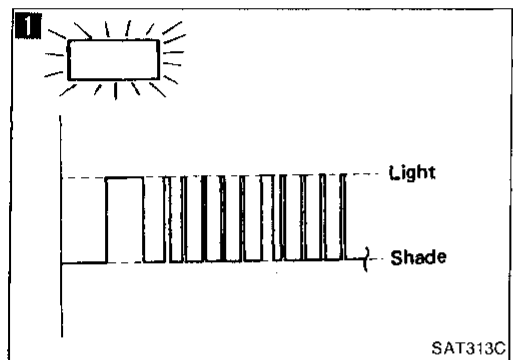
IDX

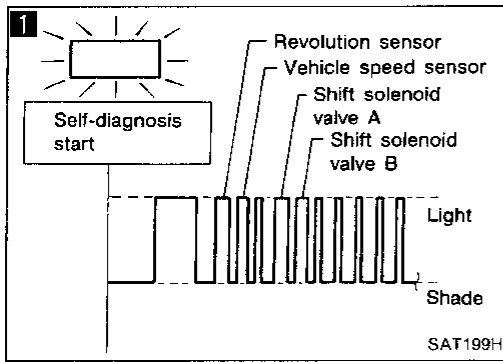
## Diagnostic Procedure 15

**SYMPTOM:** Engine speed does not return to idle smoothly when A/T is shifted from D<sub>4</sub> to D<sub>3</sub> with accelerator pedal released.

**Vehicle does not decelerate by engine brake when changing overdrive switch to "OFF" position with accelerator pedal released.**

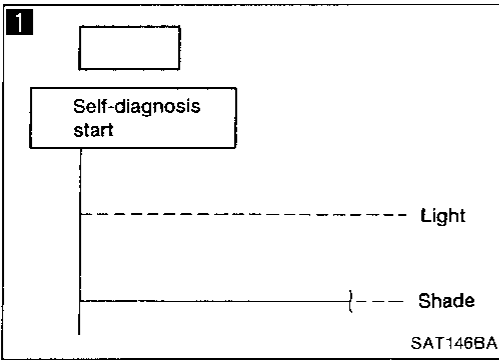
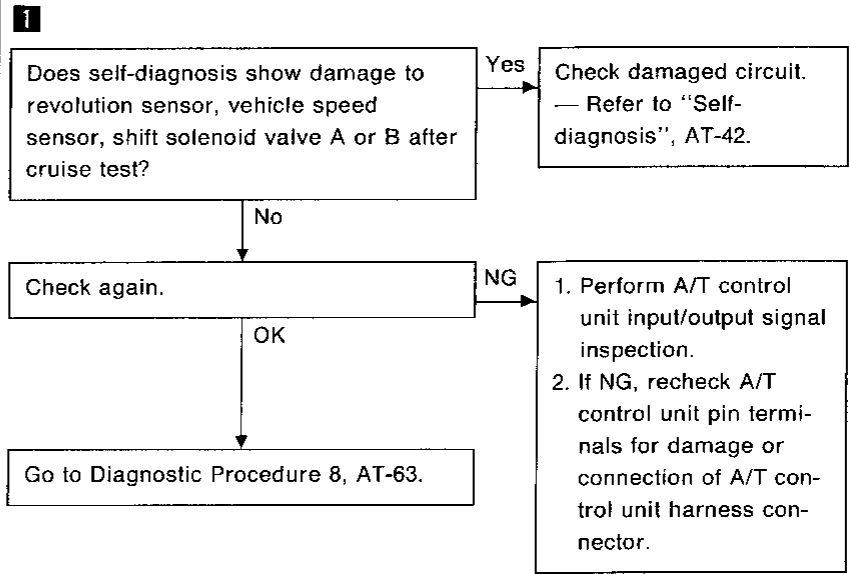
**Vehicle does not decelerate by engine brake when changing selector lever from "D" to "2" position with accelerator pedal released.**





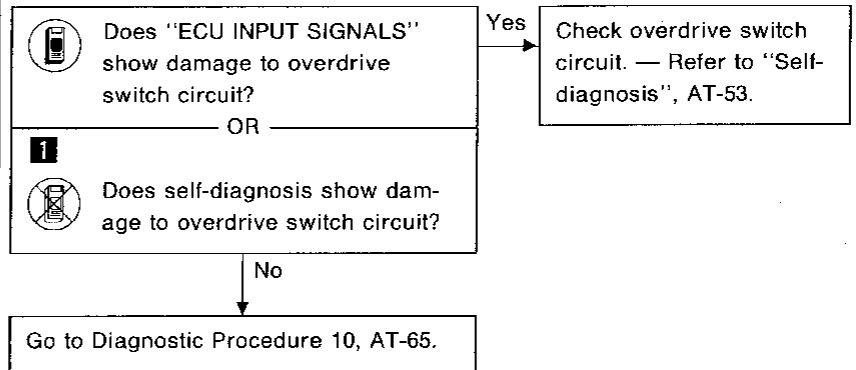
### Diagnostic Procedure 16

**SYMPTOM: Vehicle does not start from D<sub>1</sub> on Cruise test — Part 2.**



### Diagnostic Procedure 17

**SYMPTOM: A/T does not shift from D<sub>4</sub> to D<sub>3</sub> when changing overdrive switch to “OFF” position.**



GI

MA

EM

LC

EF & EC

FE

CL

MT

AT

PD

FA

RA

BR

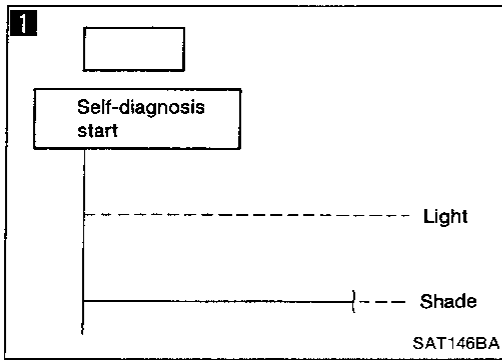
ST

BF

HA

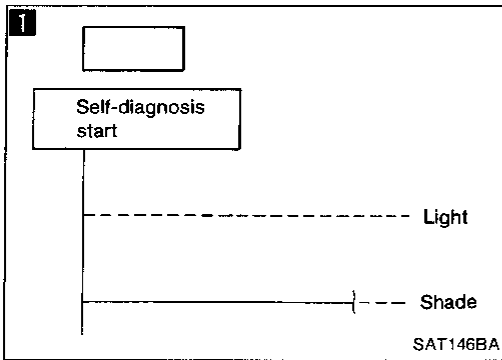
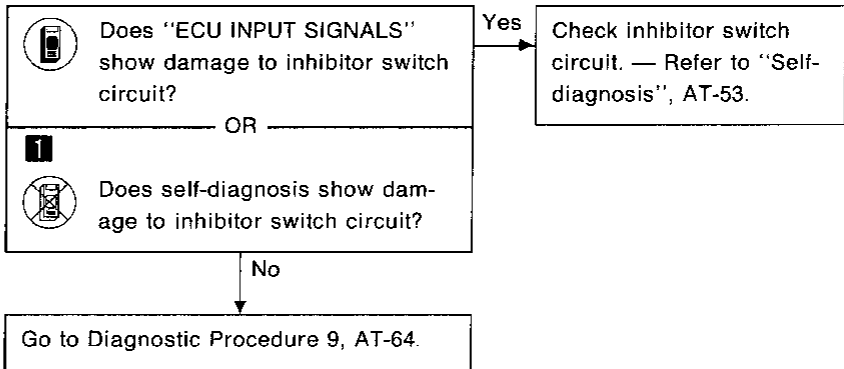
EL

IDX



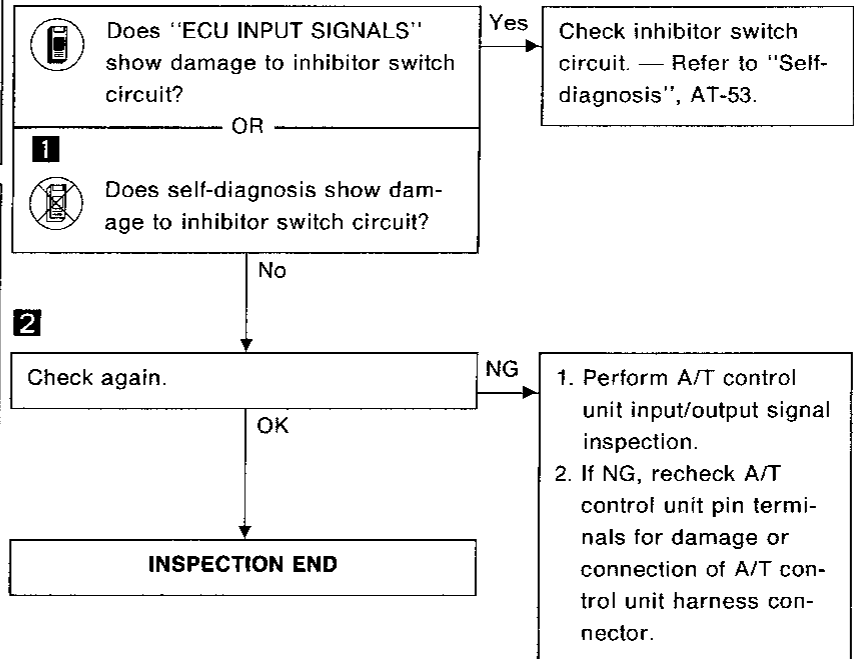
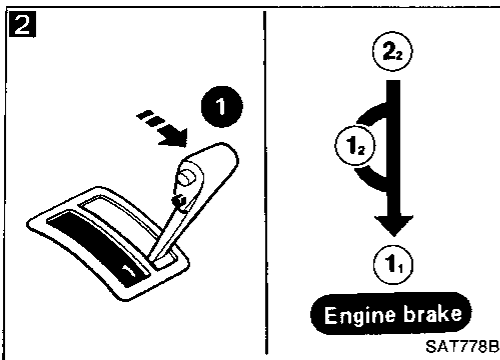
## Diagnostic Procedure 18

**SYMPTOM:** A/T does not shift from  $D_3$  to  $2_2$  when changing selector lever from "D" to "2" position.



## Diagnostic Procedure 19

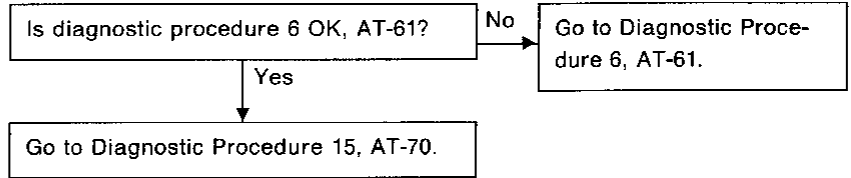
**SYMPTOM:** A/T does not shift from  $2_2$  to  $1_1$  when changing selector lever from "2" to "1" position.





## Diagnostic Procedure 20

**SYMPTOM: Vehicle does not decelerate by engine brake when shifting from 2<sub>2</sub> (1<sub>2</sub>) to 1<sub>1</sub>.**



GI

MA

EM

LC

EF &  
EC

FE

CL

MT

AT

PD

FA

RA

BR

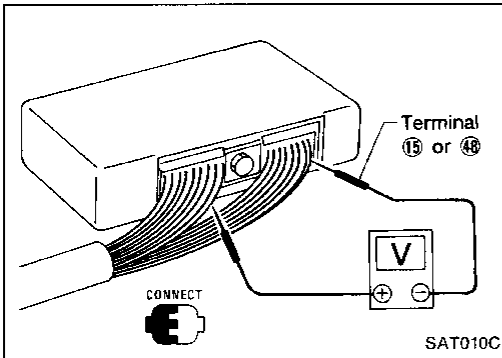
ST

BF

HA

EL

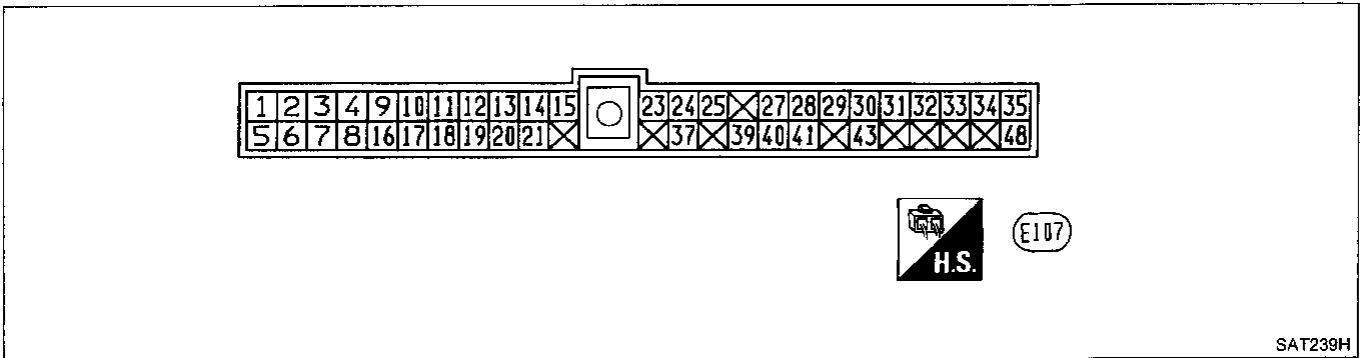
IDX



## Electrical Components Inspection

### INSPECTION OF A/T CONTROL UNIT

- Measure voltage between each terminal and terminal ⑮ or ④⑧ by following "A/T CONTROL UNIT INSPECTION TABLE".
- Pin connector terminal layout.






# TROUBLE DIAGNOSES

## Electrical Components Inspection (Cont'd)

### A/T CONTROL UNIT INSPECTION TABLE

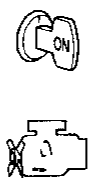
(Data are reference values.)

Terminal No.	Item		Condition	Judgement standard
1	Line pressure solenoid valve		When accelerator pedal is released after warming up engine.	1.5 - 2.5V
			When accelerator pedal is depressed fully after warming up engine.	0.5V or less
2	Line pressure solenoid valve (with dropping resistor)	 	When accelerator pedal is released after warming up engine.	5 - 14V
			When accelerator pedal is depressed fully after warming up engine.	0.5V or less
3	A/T check lamp		When A/T check lamp is on.	1V or less
			When A/T check lamp is not on.	Battery voltage
4	Power source		When ignition switch is turned to "ON".	Battery voltage
			When ignition switch is turned to "OFF".	1V or less
5	Torque converter clutch solenoid valve		When A/T is performing lock-up.	8 - 15V
			When A/T is not performing lock-up.	1V or less
6	Shift solenoid valve A		When shift solenoid valve A is operating. (When driving in "D <sub>1</sub> " or "D <sub>4</sub> ".)	Battery voltage
			When shift solenoid valve A is not operating. (When driving in "D <sub>2</sub> " or "D <sub>3</sub> ".)	1V or less
7	Shift solenoid valve B		When shift solenoid valve B is operating. (When driving in "D <sub>1</sub> " or "D <sub>2</sub> ".)	Battery voltage
			When shift solenoid valve B is not operating. (When driving in "D <sub>3</sub> " or "D <sub>4</sub> ".)	1V or less
8	Overrun clutch solenoid valve		When timing solenoid is operating. (When driving in "D <sub>1</sub> " or "D <sub>4</sub> ".)	Battery voltage
			When timing solenoid is not operating. (When driving in "D <sub>2</sub> " or "D <sub>3</sub> ".)	1V or less

# TROUBLE DIAGNOSES

## Electrical Components Inspection (Cont'd)

Terminal No.	Item	Condition	Judgement standard	
9	Power source	Same as No. 4		GE
10*	—	—	—	
11	—	—	—	MA
12	—	—	—	EM
13	—	—	—	
14	Closed throttle position switch (in throttle position switch)	When accelerator pedal is released after warming up engine.	8 - 15V	LC
		When accelerator pedal is depressed after warming up engine.	1V or less	EF & EC
15	Ground	—	—	FE
16	Inhibitor "1" position switch	When selector lever is set to "1" position.	Battery voltage	CL
		When selector lever is set to other positions.	1V or less	
17	Inhibitor "2" position switch	When selector lever is set to "2" position.	Battery voltage	MT
		When selector lever is set to other positions.	1V or less	
18	Inhibitor "D" position switch	When selector lever is set to "D" position.	Battery voltage	<b>AT</b>
		When selector lever is set to other positions.	1V or less	PD
19	Inhibitor "N" or "P" position switch	When selector lever is set to "N" position.	Battery voltage	FA
		When selector lever is set to other positions.	1V or less	
20	Inhibitor "R" position switch	When selector lever is set to "R" position.	Battery voltage	RA
		When selector lever is set to other positions.	1V or less	
21	Wide open throttle position switch (in throttle position switch)	When accelerator pedal is depressed more than half-way after warming up engine.	8 - 15V	BR
		When accelerator pedal is released after warming up engine.	1V or less	ST
22	—	—	—	BF



\*: This terminal is connected to terminal No. 36 of ECM (ECCS control module).

When code No. 54 appears during engine self-diagnosis, check line between above terminals for proper continuity.

GE

MA

EM

LC

EF & EC

FE

CL

MT

**AT**

PD

FA

RA

BR

ST

BF









HA

EL

IDX

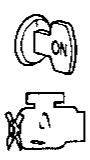

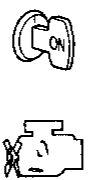
# TROUBLE DIAGNOSES

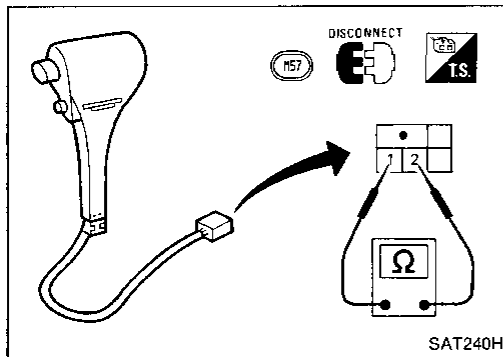
## Electrical Components Inspection (Cont'd)

Terminal No.	Item	Condition	Judgement standard	
23	Power source (Back-up)	 or 	When ignition switch is turned to "OFF".	Battery voltage
			When ignition switch is turned to "ON".	Battery voltage
24	Engine speed signal	 	When engine is running at idle speed.	0.9V
			When engine is running at 3,000 rpm.	Approximately 3.7V
25	Revolution sensor (Measure in AC position)		When vehicle is cruising at 30 km/h (19 MPH).	1V or more Voltage rises gradually in response to vehicle speed.
			When vehicle is parked.	0V
26	—	—	—	
27	Vehicle speed sensor	—	When vehicle is moving at 2 to 3 km/h (1 to 2 MPH) for 1 m (3 ft) or more.	Vary from 0 to 5V
28	—	—	—	
29	—	—	—	
30	—	—	—	
31	Throttle position sensor (Power source)	—	—	4.5 - 5.5V
32	—	—	—	—
33	Fluid temperature sensor		When ATF temperature is 20°C (68°F).	Approximately 1.5V
			When ATF temperature is 80°C (176°F).	Approximately 0.5V
34	Throttle position sensor		When accelerator pedal is depressed slowly after warming up engine. Voltage rises gradually in response to throttle opening angle.	Fully-closed throttle: Approximately 0.5V Fully-open throttle: Approximately 4V
35	Throttle position sensor (Ground)	—	—	—
36	—	—	—	—
37	ASCD cruise signal		When ASCD cruise is being performed. ("CRUISE" light comes on.)	Battery voltage
			When ASCD cruise is not being performed. ("CRUISE" light does not comes on.)	1V or less

# TROUBLE DIAGNOSES

## Electrical Components Inspection (Cont'd)

Terminal No.	Item	Condition		Judgement standard	
38	—		—	—	
39	Overdrive switch		When overdrive switch is set in "ON" position.	Battery voltage	GI
			When overdrive switch is set in "OFF" position.	1V or less	MA
40	ASCD OD cut signal		When "ACCEL" set switch on ASCD cruise is released.	5 - 8V	EM
			When "ACCEL" set switch on ASCD cruise is applied.	1V or less	LC
41	Kickdown switch		When accelerator pedal is released after warming up engine.	3 - 8V	EF & EC
			When accelerator pedal is depressed fully after warming up engine.	1V or less	EC
42	—		—	—	
43	A/C switch (Turbocharger model)		When A/C switch is set in "ON" position.	8 - 16V	FE
			When A/C switch is set in "OFF" position.	2V or less	CL
44	—		—	—	
45	—		—	—	
46	—		—	—	MT
47	—		—	—	
48	Ground		—	—	AT



### OVERDRIVE SWITCH

- Check continuity between two terminals.

OD switch position	Continuity
ON	No
OFF	Yes

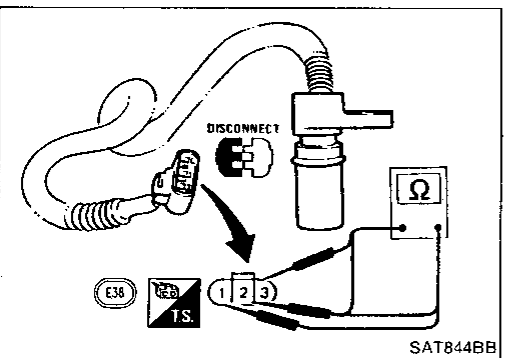
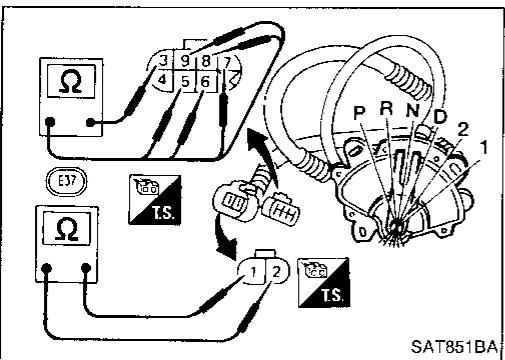
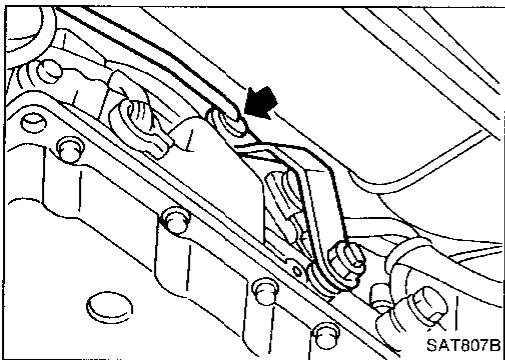
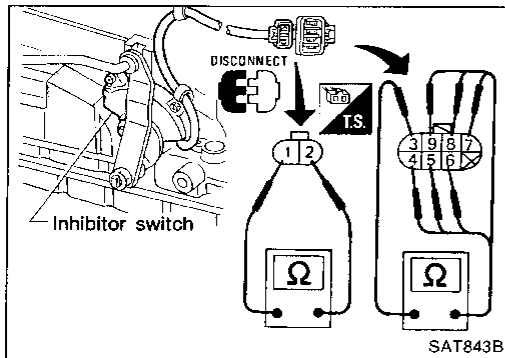
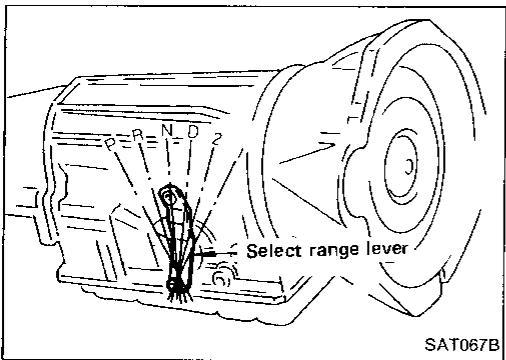
### THROTTLE POSITION SWITCH (Idle position)

Refer to Electrical Components Inspection (Cont'd) in EF & EC section.

# TROUBLE DIAGNOSES

## Electrical Components Inspection (Cont'd)

### INHIBITOR SWITCH



1. Check continuity between terminals ① and ② and between terminals ③ and ④, ⑤, ⑥, ⑦, ⑧, ⑨ while moving selector lever through each position.

Lever position	Terminal No.								
	①	②	③	④	⑤	⑥	⑦	⑧	⑨
P	○—○		○—○						
R			○—○		○				
N	○—○		○—○			○			
D			○—○				○		
2			○—○					○	
1			○—○						○

2. If NG, check again with manual control linkage disconnected from manual shaft of A/T assembly. — Refer to step 1.
3. If OK on step 2, adjust manual control linkage. — Refer to "ON-VEHICLE SERVICE", AT-99.
4. If NG on step 2, remove inhibitor switch from A/T and check continuity of inhibitor switch terminal. — Refer to step 1.
5. If OK on step 4, adjust inhibitor switch. — Refer to "ON-VEHICLE SERVICE", AT-99.
6. If NG on step 4, replace inhibitor switch.

### REVOLUTION SENSOR

- For removal and installation, refer to "ON-VEHICLE SERVICE", AT-98.
- Check resistance between terminals ①, ② and ③.

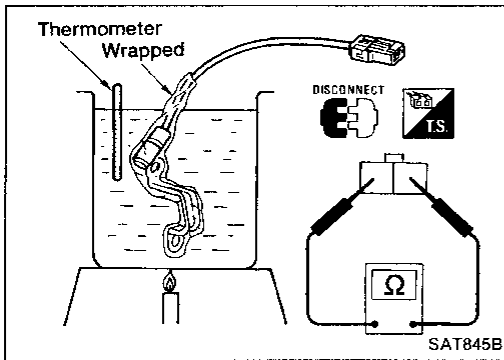
Terminal No.		Resistance
①	②	500 - 650Ω
②	③	No continuity
①	③	No continuity

# TROUBLE DIAGNOSES

## Electrical Components Inspection (Cont'd)

### FLUID TEMPERATURE SENSOR

- For removal and installation, refer to "ON-VEHICLE SERVICE", AT-97.
- Check resistance between two terminals while changing temperature as shown at left.



Temperature °C (°F)	Resistance
20 (68)	Approximately 2.5 kΩ
80 (176)	Approximately 0.3 kΩ

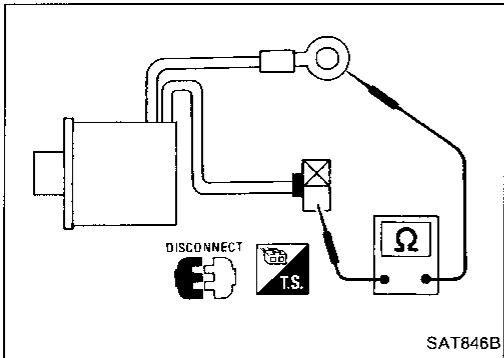
GI  
MA  
EM

### TORQUE CONVERTER CLUTCH SOLENOID VALVE

- For removal and installation, refer to "ON-VEHICLE SERVICE", AT-97.
- Check resistance between two terminals.

**Resistance:**

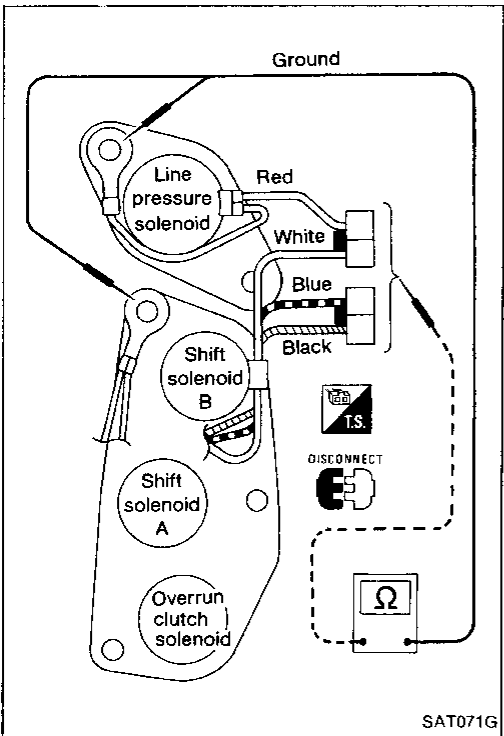
**Torque converter clutch solenoid valve 10 - 20Ω**



LC  
EF &  
EC

### 3-UNIT SOLENOID ASSEMBLY (Shift solenoid valves A, B and overrun clutch solenoid valve) AND LINE PRESSURE SOLENOID VALVE

- For removal and installation, refer to "ON-VEHICLE SERVICE", AT-97.
- Check resistance between terminals of each solenoid.



FE  
CL

MT

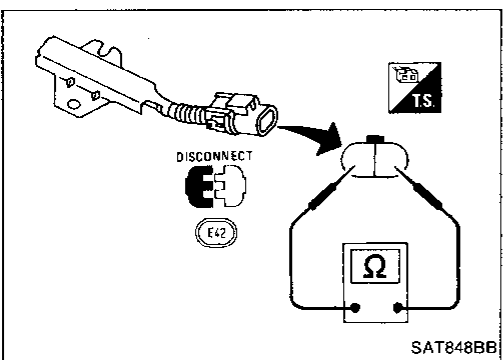
AT

Solenoid	Terminal No.	Resistance
Shift solenoid valve A	③	Ground terminal 20 - 40Ω
Shift solenoid valve B	②	
Overrun clutch solenoid valve	④	
Line pressure solenoid valve	①	2.5 - 5Ω

PD  
FA  
RA

### DROPPING RESISTOR

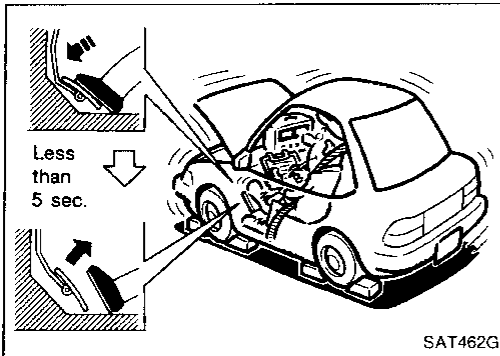
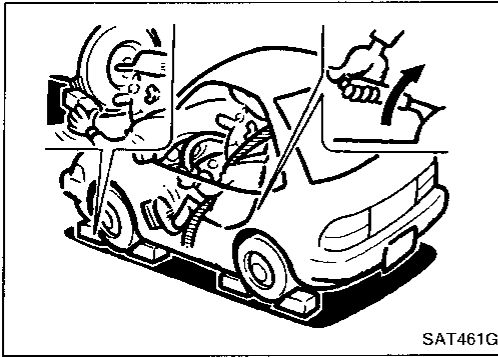
- Check resistance between two terminals.  
**Resistance: 11.2 - 12.8Ω**



BR  
ST  
BF

HA  
EL

IDX



## Final Check

### STALL TESTING

#### Stall test procedure

1. Check A/T and engine fluid levels. If necessary, add.
2. Warm up engine until engine oil and ATF reach operating temperature after vehicle has been driven approx. 10 minutes.

**ATF operating temperature:  
50 - 80°C (122 - 176°F)**

3. Set parking brake and block wheels.
4. Install a tachometer where it can be seen by driver during test.
- **It is good practice to put a mark on point of specified engine speed on indicator.**
5. Start engine, apply foot brake, and place selector lever in "D" position.
6. Accelerate to wide-open throttle gradually while applying foot brake.
7. Quickly note the engine stall revolution and immediately release throttle.

- **During test, never hold throttle wide-open for more than 5 seconds.**

**Stall revolution:**

**2,450 - 2,650 rpm (RE4R01A)**

**2,950 - 3,200 rpm (RE4R03A)**

8. Shift selector lever to "N".
9. Cool off ATF.
- **Run engine at idle for at least one minute.**
10. Perform stall tests in the same manner as in steps 5 through 9 with selector lever in "2", "1" and "R", respectively.

### JUDGEMENT OF STALL TEST

The test result and possible damaged components relating to each result are shown in the illustration. In order to pinpoint the possible damaged components, follow the WORK FLOW shown in AT-13.

#### Note

#### Stall revolution is too high in "D" or "2" position:

- Slippage occurs in 1st gear but not in 2nd and 3rd gears. .... Low one-way clutch slippage
- Slippage occurs in 1st through 3rd gears in "D" position and engine brake functions with power shift switch set to "POWER", or slippage occurs in 1st and 2nd gears in "2" position and engine brake functions with accelerator pedal completely released (fully closed throttle). .... Forward clutch or forward one-way clutch slippage

#### Stall revolution is too high in "R" position:

- Engine brake does not function in "1" position. .... Low & reverse brake slippage
- Engine brake functions in "1" position. .... Reverse clutch slippage

#### Stall revolution within specifications:

- Vehicle does not achieve speed of more than 80 km/h. .... One-way clutch seizure in torque converter housing

#### CAUTION:

**Be careful since automatic fluid temperature increases abnormally.**

- Slippage occurs in 3rd and 4th gears in "D" position. .... High clutch slippage
- Slippage occurs in 2nd and 4th gear in "D" position. .... Brake band slippage

#### Stall revolution less than specifications:

- Poor acceleration during starts. .... One-way clutch seizure in torque converter



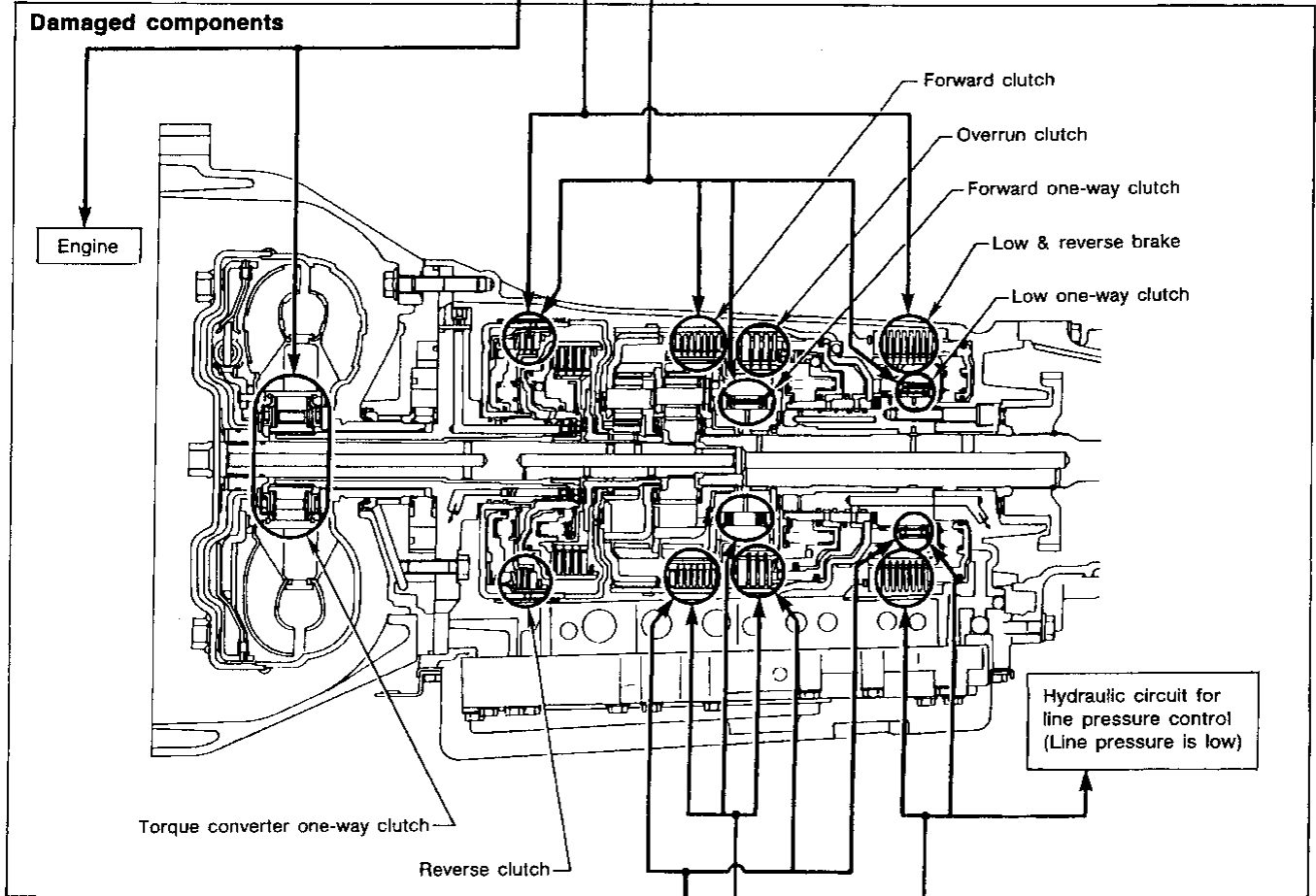
# TROUBLE DIAGNOSES

## Final Check (Cont'd)

### Judgement of stall test

Selector lever position	Judgement		
	L	O	H
D	L	O	H
2	L	O	H
1	L	O	O
R	L	H	H

- O : Stall revolution is normal.
- H : Stall revolution is higher than specified.
- L : Stall revolution is lower than specified.



D	H	H	H	O
2	H	H	H	O
1	O	H	H	O
R	O	O	H	O
Selector lever position	Judgement			

GI

MA

EM

LC

EF &  
EC

FE

CL

MT

**AT**

PD

FA

RA

BR

ST

BF

HA

EL

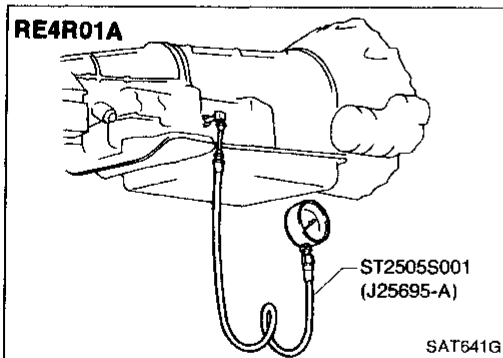
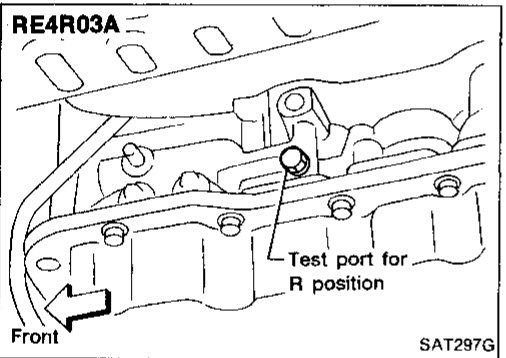
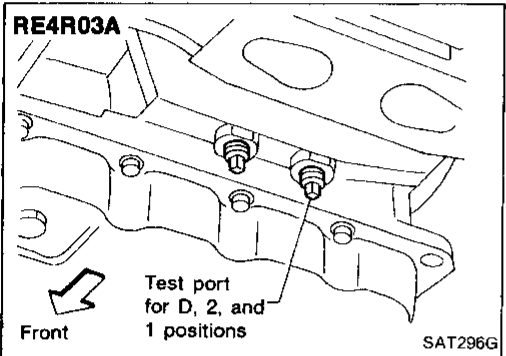
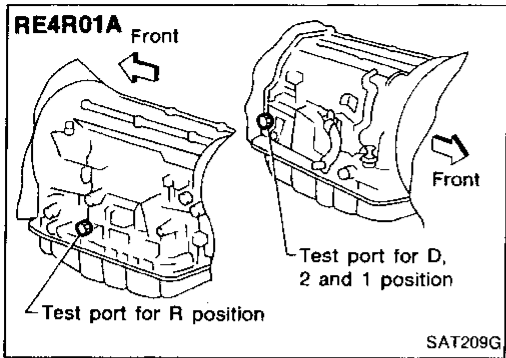
IDX

# TROUBLE DIAGNOSES

## Final Check (Cont'd)

### PRESSURE TESTING

- Location of line pressure test port
- Line pressure plugs are hexagon headed bolts.
- Always replace line pressure plugs as they are self-sealing bolts.



### Line pressure test procedure

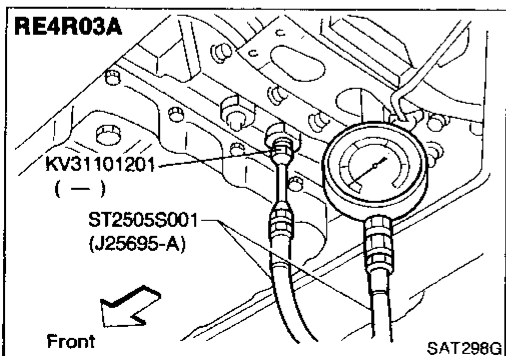
1. Check A/T and engine fluid levels. If necessary, add.
2. Warm up engine until engine oil and ATF reach operating temperature after vehicle has been driven approx. 10 minutes.

#### ATF operating temperature:

50 - 80°C (122 - 176°F)

3. Install pressure gauge to line pressure port.

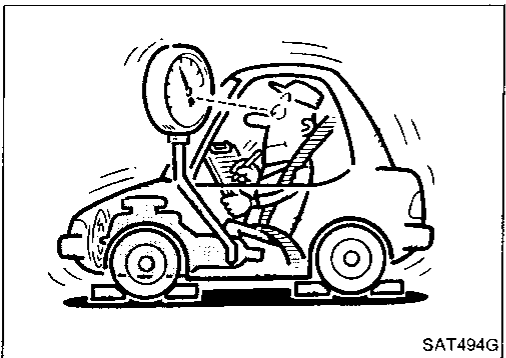
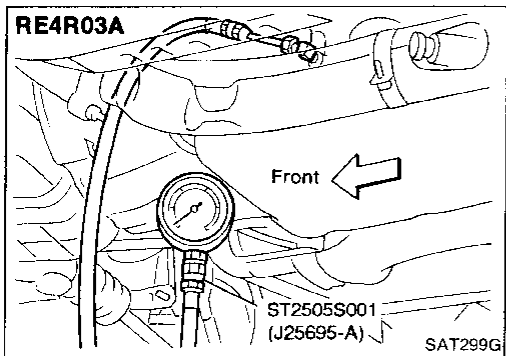
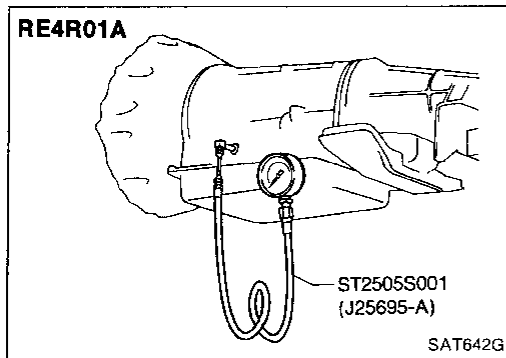
— D, 2 and 1 positions —



# TROUBLE DIAGNOSES

## Final Check (Cont'd)

— R position —



4. Set parking brake and block wheels.
  - Continue to depress brake pedal fully while line pressure test at stall speed is performed.

5. Start engine and measure line pressure at idle and stall speed.
  - When measuring line pressure at stall speed, follow the stall test procedure.

### Line pressure:

Engine speed rpm	Line pressure kPa (kg/cm <sup>2</sup> , psi)	
	D, 2 and 1 positions	R position
Idle	422 - 461 (4.3 - 4.7, 61 - 67)	667 - 706 (6.8 - 7.2, 97 - 102)
Stall	1,020 - 1,098 (10.4 - 11.2, 148 - 159)	1,422 - 1,500 (14.5 - 15.3, 206 - 218)

GI

MA

EM

LC

EF &  
EC

FE

CL

MT

AT

PD

FA

RA

BR

ST

BF

HA

EL

IDX

# TROUBLE DIAGNOSES

## Final Check (Cont'd)

### JUDGEMENT OF LINE PRESSURE TEST

Judgement		Suspected parts
At idle	Line pressure is low in all position.	<ul style="list-style-type: none"> <li>● Oil pump wear</li> <li>● Control piston damage</li> <li>● Pressure regulator valve or plug sticking</li> <li>● Spring for pressure regulator valve damaged</li> <li>● Fluid pressure leakage between oil strainer and pressure regulator valve</li> </ul>
	Line pressure is low in particular position.	<ul style="list-style-type: none"> <li>● Fluid pressure leakage between manual valve and particular clutch.</li> <li>● For example; If line pressure is low in "R" and "1" positions but is normal in "D" and "2" positions, fluid leakage exists at or around low &amp; reverse brake circuit.</li> </ul>
	Line pressure is high.	<ul style="list-style-type: none"> <li>● Mal-adjustment of throttle position sensor</li> <li>● Fluid temperature sensor damaged</li> <li>● Line pressure solenoid valve sticking</li> <li>● Short circuit of line pressure solenoid valve circuit</li> <li>● Pressure modifier valve sticking</li> <li>● Pressure regulator valve or plug sticking</li> </ul>
At stall speed	Line pressure is low.	<ul style="list-style-type: none"> <li>● Mal-adjustment of throttle position sensor</li> <li>● Control piston damaged</li> <li>● Line pressure solenoid valve sticking</li> <li>● Short circuit of line pressure solenoid valve circuit</li> <li>● Pressure regulator valve or plug sticking</li> <li>● Pressure modifier valve sticking</li> <li>● Pilot valve sticking</li> </ul>

# TROUBLE DIAGNOSES

## Symptom Chart

Reference (AT- )		ON vehicle										OFF vehicle																						
		21, 99	78	78	82	97, 79	79	79	79, 97	106, 107	106, 107	110, 121	138, 142	144, 158	144, 152	148	165																	
Reference page (AT- )	Numbers are arranged in order of probability. Perform inspections starting with number one and work up. Circled numbers indicate that the transmission must be removed from the vehicle.	Fluid level	Control linkage	Inhibitor switch	Throttle position sensor (Adjustment)	Revolution sensor and vehicle speed sensor	Engine speed signal	Engine idling rpm	Line pressure	Control valve assembly	Shift solenoid valve A	Shift solenoid valve B	Line pressure solenoid valve	Torque converter clutch solenoid valve	Overrun clutch solenoid valve	Fluid temperature sensor	Accumulator N-D	Accumulator 1-2	Accumulator 2-3	Accumulator 3-4 (N-R)	Ignition switch and starter	Torque converter	Oil pump	Reverse clutch	High clutch	Forward clutch	Forward one-way clutch	Overrun clutch	Low one-way clutch	Low & reverse brake	Brake band	Parking components		
58	Engine does not start in "N", "P" positions.	2	3																	1														
58	Engine starts in position other than "N" and "P".	1	2																															
—	Transmission noise in "P" and "N" positions.	1		3	4	5		2														7	6											
58	Vehicle moves when changing into "P" position or parking gear does not disengage when shifted out of "P" position.	1																														2		
59	Vehicle runs in "N" position.	1																	4					3		2	5							
61	Vehicle will not run in "R" position (but runs in "D", "2" and "1" positions). Clutch slips. Very poor acceleration.	1					2	4		3														5	6	7	8	9						
—	Vehicle braked when shifting into "R" position.	1	2				3	5		4														6	8	9			7					
—	Sharp shock in shifting from "N" to "D" position.			2		5	1	3		7		6		4	8											9								
—	Vehicle will not run in "D" and "2" positions (but runs in "1" and "R" positions).	1																										2						
62	Vehicle will not run in "D", "1", "2" positions (but runs in "R" position). Clutch slips. Very poor acceleration.	1					2	4		3														6	7	8	9	10						
—	Clutches or brakes slip somewhat in starting.	1	2	3			4	6		5													13	12	10	9			11					
—	Excessive creep.					1																												
61, 62	No creep at all.	1					2	3															6	5		4								
—	Failure to change gear from "D <sub>1</sub> " to "D <sub>2</sub> ".	2	1		5			4	3																							6		
—	Failure to change gear from "D <sub>2</sub> " to "D <sub>3</sub> ".	2	1		5			4	3																6							7		
—	Failure to change gear from "D <sub>3</sub> " to "D <sub>4</sub> ".	2	1		4				3																							6		
64, 65, 66	Too high a gear change point from "D <sub>1</sub> " to "D <sub>2</sub> ", from "D <sub>2</sub> " to "D <sub>3</sub> ", from "D <sub>3</sub> " to "D <sub>4</sub> ".			1	2				3	4																								
—	Gear change directly from "D <sub>1</sub> " to "D <sub>3</sub> " occurs.	1																2													3			
—	Engine stops when shifting lever into "R", "D", "2" and "1".					1		3					2									4												
—	Too sharp a shock in change from "D <sub>1</sub> " to "D <sub>2</sub> ".			1			2	4						5	3																	6		
—	Too sharp a shock in change from "D <sub>2</sub> " to "D <sub>3</sub> ".			1			2	4										3														6		

GI  
 MA  
 EM  
 LC  
 FE &  
 EC  
 FE  
 CL  
 MT  
 AT  
 PD  
 FA  
 RA  
 BR  
 ST  
 BF  
 HA  
 EL  
 IDX

# TROUBLE DIAGNOSES

## Symptom Chart (Cont'd)

Reference (AT- )		ON vehicle											OFF vehicle																							
		21, 99	78	78	82	97, 79	79	79	79, 97	106, 107	106, 107	110, 121	138, 142	144, 158	144, 152	148	165																			
Reference page (AT- )	Numbers are arranged in order of probability. Perform inspections starting with number one and work up. Circled numbers indicate that the transmission must be removed from the vehicle.	Fluid level	Control linkage	Inhibitor switch	Throttle position sensor (Adjustment)	Revolution sensor and vehicle speed sensor	Engine speed signal	Engine idling rpm	Line pressure	Control valve assembly	Shift solenoid valve A	Shift solenoid valve B	Line pressure solenoid valve	Torque converter clutch solenoid valve	Overrun clutch solenoid valve	Fluid temperature sensor	Accumulator N-D	Accumulator 1-2	Accumulator 2-3	Accumulator 3-4 (N-R)	Ignition switch and starter	Torque converter	Oil pump	Reverse clutch	High clutch	Forward clutch	Forward one-way clutch	Overrun clutch	Low one-way clutch	Low & reverse brake	Brake band	Parking components				
		—	Too sharp a shock in change from "D <sub>3</sub> " to "D <sub>4</sub> ".			1				2	4											3														
—	Almost no shock or clutches slipping in change from "D <sub>1</sub> " to "D <sub>2</sub> ".	1		2				3	5									4																		
—	Almost no shock or slipping in change from "D <sub>2</sub> " to "D <sub>3</sub> ".	1		2				3	5											4																
—	Almost no shock or slipping in change from "D <sub>3</sub> " to "D <sub>4</sub> ".	1		2				3	5											4																
—	Vehicle braked by gear change from "D <sub>1</sub> " to "D <sub>2</sub> ".	1																						2	4											
—	Vehicle braked by gear change from "D <sub>2</sub> " to "D <sub>3</sub> ".	1																																		
—	Vehicle braked by gear change from "D <sub>3</sub> " to "D <sub>4</sub> ".	1																																		
—	Maximum speed not attained. Acceleration poor.	1	2						5	3	4												11	10	6	7										
—	Failure to change gear from "D <sub>4</sub> " to "D <sub>3</sub> ".	1		2					6	4		5	3																							
—	Failure to change gear from "D <sub>3</sub> " to "D <sub>2</sub> " or from "D <sub>4</sub> " to "D <sub>2</sub> ".	1		2					5	3	4																									
—	Failure to change gear from "D <sub>2</sub> " to "D <sub>1</sub> " or from "D <sub>3</sub> " to "D <sub>1</sub> ".	1		2					5	3	4																									
—	Gear change shock felt during deceleration by releasing accelerator pedal.			1				2	4					3																						
—	Too high a change point from "D <sub>4</sub> " to "D <sub>3</sub> ", from "D <sub>3</sub> " to "D <sub>2</sub> ", from "D <sub>2</sub> " to "D <sub>1</sub> ".			1	2																															
—	Kickdown does not operate when depressing pedal in "D <sub>4</sub> " within kickdown vehicle speed.			1	2					3	4																									
—	Kickdown operates or engine overruns when depressing pedal in "D <sub>4</sub> " beyond kickdown vehicle speed limit.			2	1					3	4																									
—	Races extremely fast or slips in changing from "D <sub>4</sub> " to "D <sub>3</sub> " when depressing pedal.	1		2				3	5		4																									
—	Races extremely fast or slips in changing from "D <sub>4</sub> " to "D <sub>2</sub> " when depressing pedal.	1		2				3	6	5	4																									
—	Races extremely fast or slips in changing from "D <sub>3</sub> " to "D <sub>2</sub> " when depressing pedal.	1		2				3	5		4																									
—	Races extremely fast or slips in changing from "D <sub>4</sub> " or "D <sub>3</sub> " to "D <sub>1</sub> " when depressing pedal.	1		2				3	5		4																									
—	Vehicle will not run in any position.	1	2					3			4																									
—	Transmission noise in "D", "2", "1" and "R" positions.	1																																		

# TROUBLE DIAGNOSES

## Symptom Chart (Cont'd)

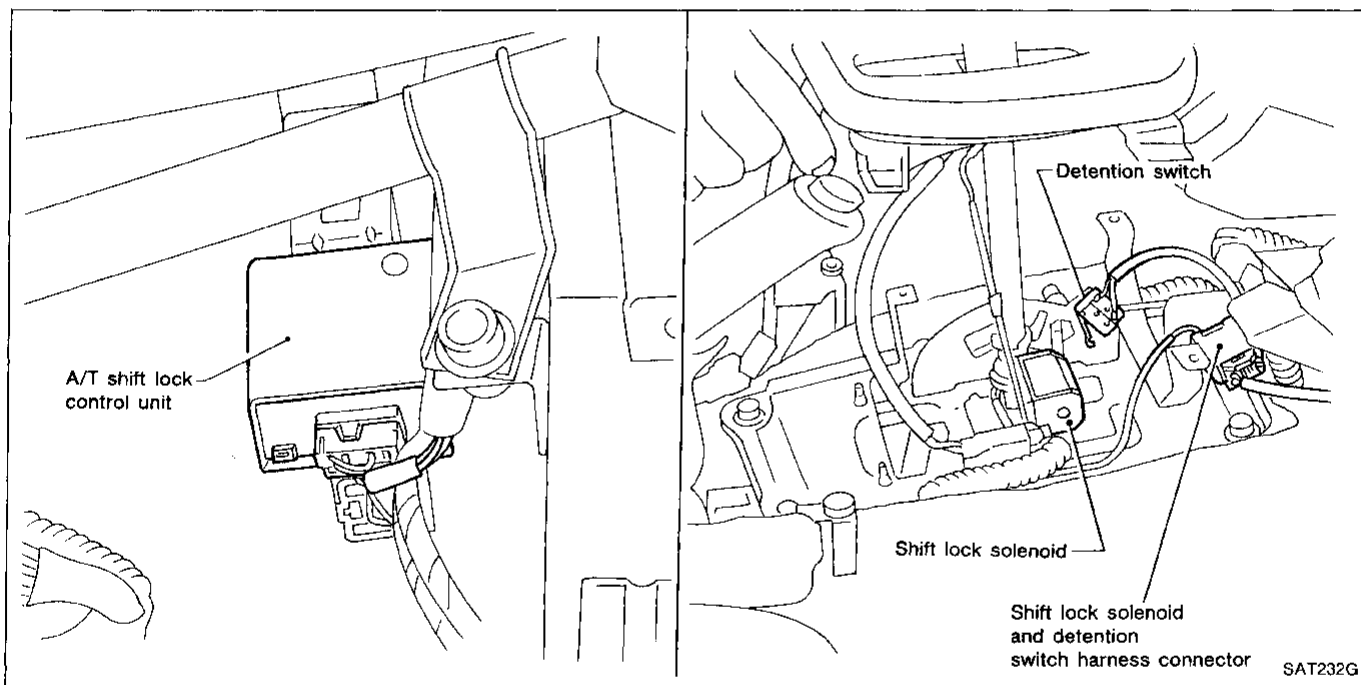
Reference (AT- )		ON vehicle										OFF vehicle																				
		21, 99	78	78	82	97, 79	79	79	79, 97	106, 107	106, 107	110, 121	138, 142	144, 158	144, 152	148	165															
Reference page (AT- )	Numbers are arranged in order of probability. Perform inspections starting with number one and work up. Circled numbers indicate that the transmission must be removed from the vehicle.	Fluid level	Control linkage	Inhibitor switch	Throttle position sensor (Adjustment)	Revolution sensor and vehicle speed sensor	Engine speed signal	Engine idling rpm	Line pressure	Control valve assembly	Shift solenoid valve A	Shift solenoid valve B	Line pressure solenoid valve	Torque converter clutch solenoid valve	Overrun clutch solenoid valve	Fluid temperature sensor	Accumulator N-D	Accumulator 1-2	Accumulator 2-3	Accumulator 3-4 (N-R)	Ignition switch and starter	Torque converter	Oil pump	Reverse clutch	High clutch	Forward clutch	Forward one-way clutch	Overrun clutch	Low one-way clutch	Low & reverse brake	Brake band	Parking components
		72	Failure to change from "D <sub>3</sub> " to "2" when changing lever into "2" position.	7	1	2	.	.	.	.	6	5	4	.	3	.	.	.	.	.	.	.	.	.	.	.	.	.	.	9	.	8
—	Gear change from "2 <sub>2</sub> " to "2 <sub>3</sub> " in "2" position.	.	1	.	.	.	.	.	.	.	.	.	.	.	.	.	.	.	.	.	.	.	.	.	.	.	.	.	.	.	.	.
73	Engine brake does not operate in "1" position.	2	1	3	4	.	.	.	6	5	.	.	7	.	.	.	.	.	.	.	.	.	.	.	.	.	.	8	.	9	.	.
—	Gear change from "1 <sub>1</sub> " to "1 <sub>2</sub> " in "1" position.	2	1	.	.	.	.	.	.	.	.	.	.	.	.	.	.	.	.	.	.	.	.	.	.	.	.	.	.	.	.	.
—	Does not change from "1 <sub>2</sub> " to "1 <sub>1</sub> " in "1" position.	.	1	.	2	.	.	.	4	3	.	.	5	.	.	.	.	.	.	.	.	.	.	.	.	.	6	.	7	.	.	
—	Large shock changing from "1 <sub>2</sub> " to "1 <sub>1</sub> " in "1" position.	.	.	.	.	.	.	.	1	.	.	.	.	.	.	.	.	.	.	.	.	.	.	.	.	.	.	.	2	.	.	
—	Transmission overheats.	1	.	3	.	2	4	6	.	5	.	.	.	.	.	.	.	.	.	.	.	.	11	7	8	9	10	12	13	10	.	.
—	ATF shoots out during operation.	1	.	.	.	.	.	.	.	.	.	.	.	.	.	.	.	.	.	.	.	.	.	.	2	3	5	6	7	4	.	.
—	Offensive smell at fluid charging pipe.	1	.	.	.	.	.	.	.	.	.	.	.	.	.	.	.	.	.	.	.	.	.	2	3	4	5	7	8	9	6	.
—	Torque converter is not locked up.	.	3	1	2	4	6	8	.	.	.	7	5	.	.	.	.	.	.	.	.	.	9	.	.	.	.	.	.	.	.	.
—	Lock-up piston slip	1	.	2	.	.	3	6	.	5	4	.	.	.	.	.	.	.	.	.	.	.	7	.	.	.	.	.	.	.	.	.
67	Lock-up point is extremely high or low.	.	.	1	2	.	.	4	.	.	3	.	.	.	.	.	.	.	.	.	.	.	.	.	.	.	.	.	.	.	.	.
—	A/T does not shift to "D <sub>4</sub> " when driving with overdrive switch "ON".	.	2	1	3	.	8	6	4	.	.	5	7	.	.	.	.	.	.	.	.	.	.	.	.	.	10	.	9	.	.	
—	Engine is stopped at "R", "D", "2" and "1" positions.	1	.	.	.	.	.	5	4	3	2	.	.	.	.	.	.	.	.	.	.	.	.	.	.	.	.	.	.	.	.	.

GI  
 MA  
 FM  
 LC  
 EF & EC  
 FE  
 CL  
 MT  
**AT**  
 PD  
 FA  
 RA  
 BR  
 ST  
 BF  
 HA  
 EL  
 IOX

## Contents

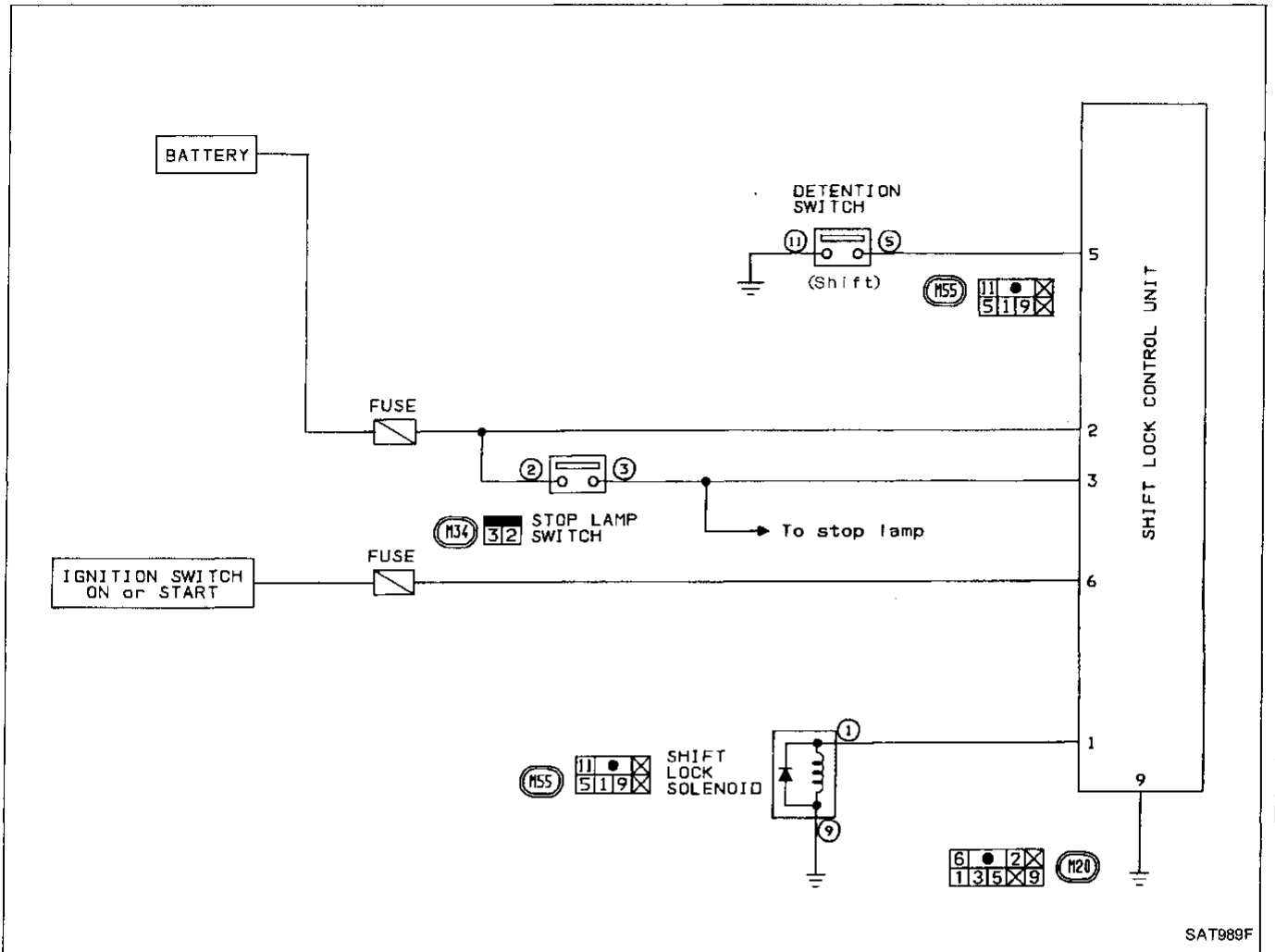
<b>Shift Lock System Electrical Parts Location</b> .....	AT-88
<b>Circuit Diagram for Quick Pinpoint Check</b> .....	AT-89
<b>Wiring Diagram</b> .....	AT-90
<b>Diagnostic Procedure</b> .....	AT-91
SYMPTOM 1: Selector lever cannot be moved from "P" position when applying brake pedal or can be moved when releasing brake pedal. Selector lever can be moved from "P" position when key is removed from key cylinder.	
SYMPTOM 2: Ignition key cannot be removed when selector lever is set to "P" position or can be removed when selector lever is set to any position except "P".	
<b>Key Interlock Cable</b> .....	AT-94
<b>Shift Lock Control Unit Inspection</b> .....	AT-95
<b>Shift Lock Control Unit Inspection Table</b> .....	AT-96
<b>Component Check</b> .....	AT-96

## Shift Lock Electrical Parts Location





Circuit Diagram for Quick Pinpoint Check



GI

MA

EM

LC

EF &  
EC

FE

CL

MT

**AT**

PD

FA

RA

BR

ST

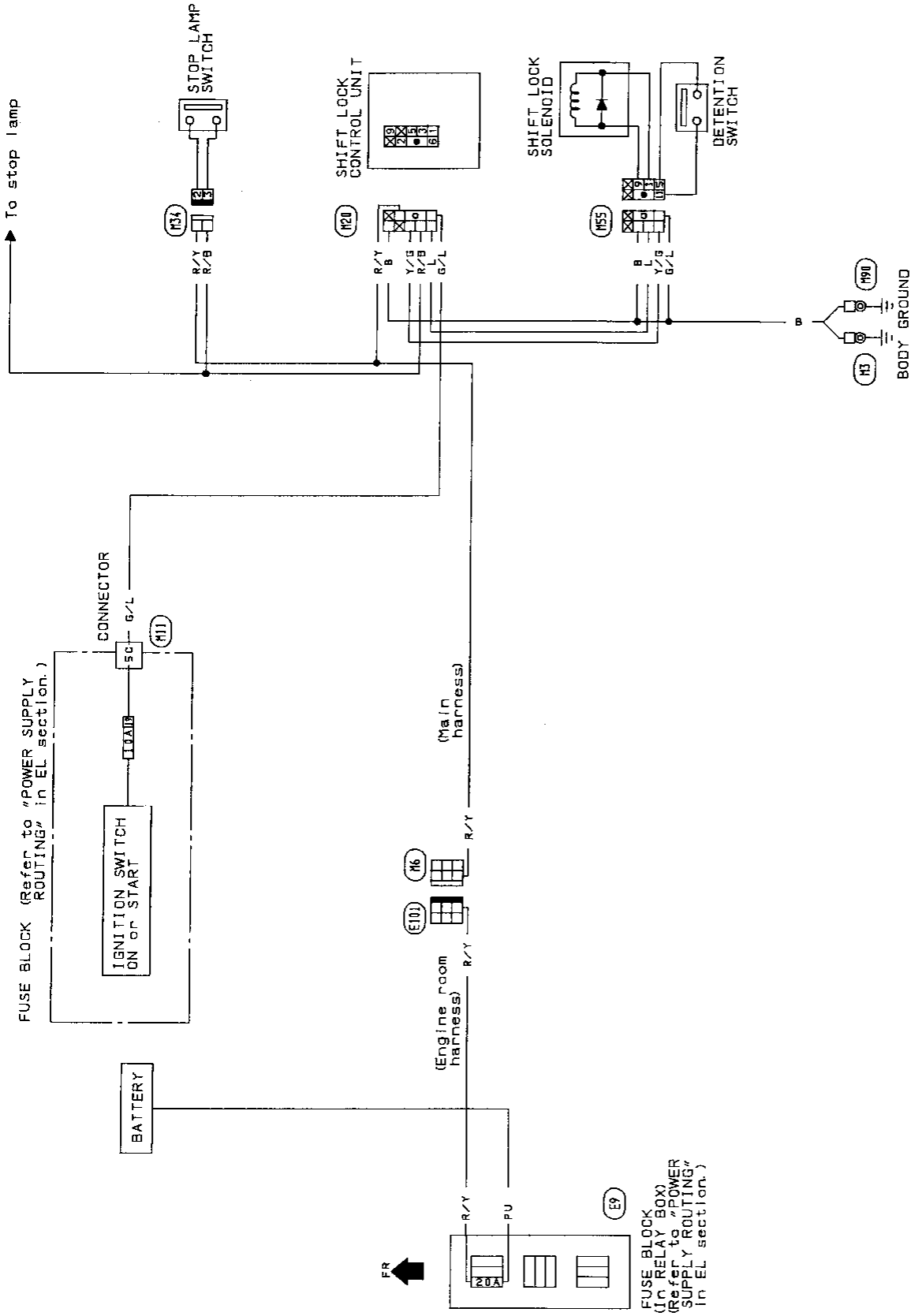
BF

HA

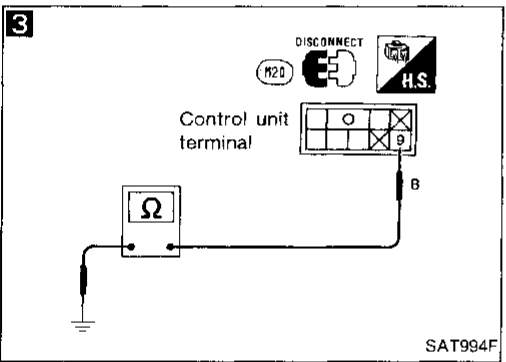
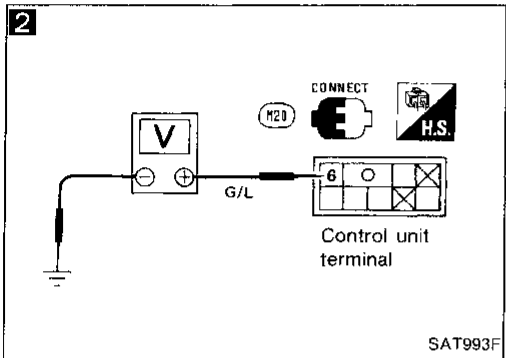
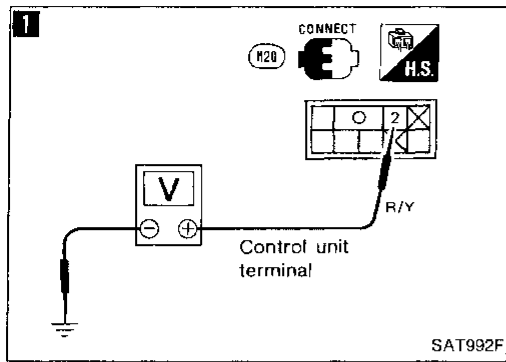
EL

IDX

Wiring Diagram



GI  
 MA  
 EM  
 LC  
 EF & EC  
 FE  
 CL  
 MT  
**AT**  
 PD  
 FA  
 RA  
 BR  
 ST  
 BF  
 HA  
 EL  
 IOX



## Diagnostic Procedure

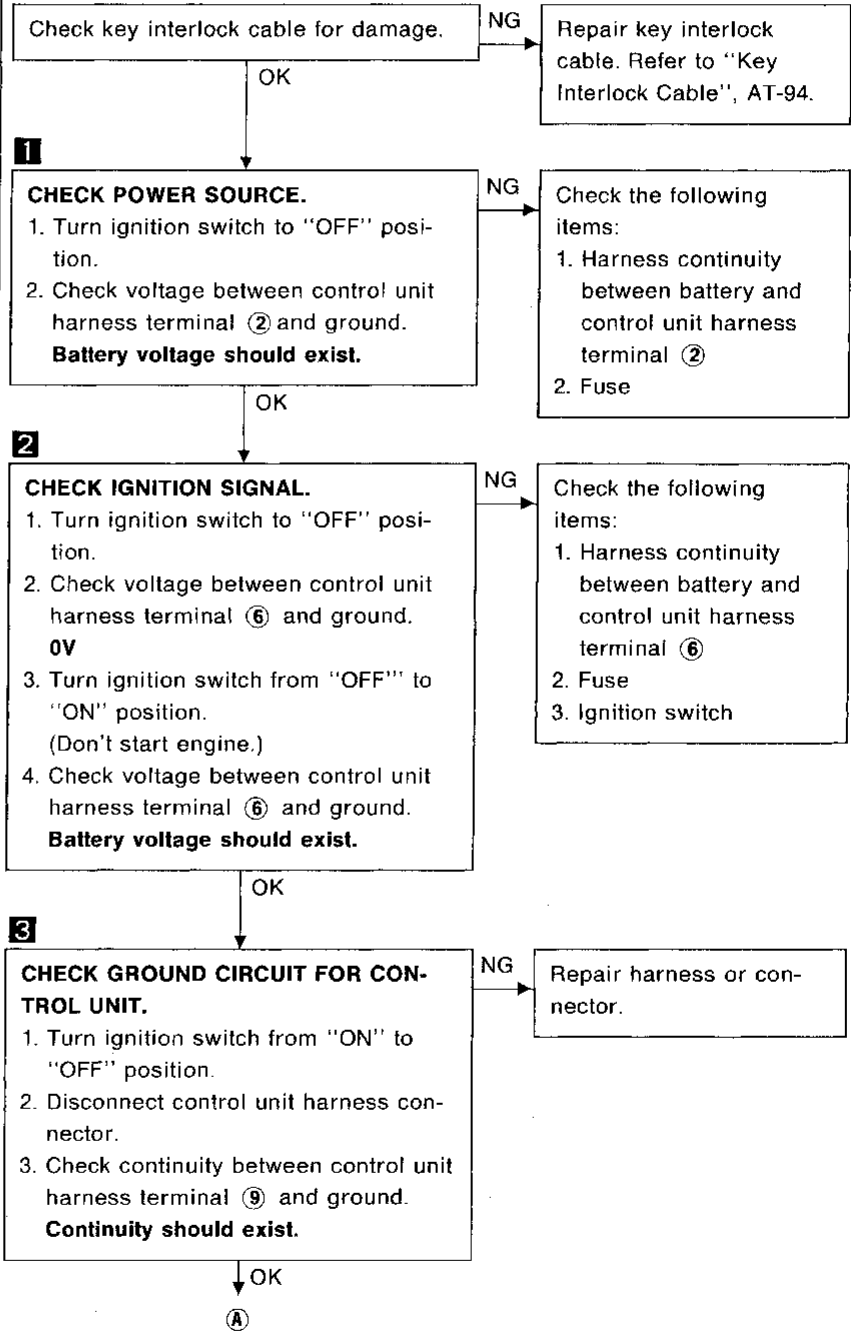
### SYMPTOM 1:

With key in "ON" position, selector lever cannot be moved from "P" position when applying brake pedal or can be moved when releasing brake pedal.

Selector lever can be moved from "P" position when key is removed from key cylinder.

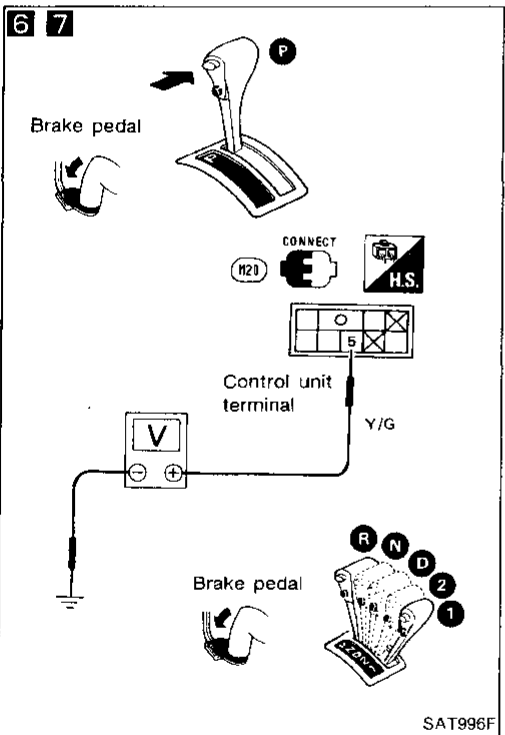
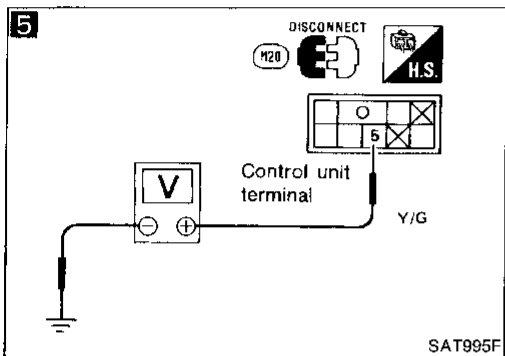
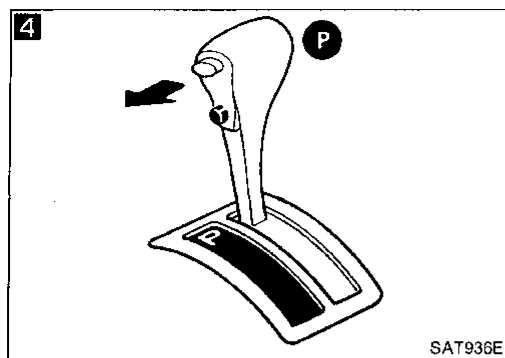
### SYMPTOM 2:

Ignition key cannot be removed when selector lever is set to "P" position or can be removed when selector lever is set to any position except "P".



# TROUBLE DIAGNOSES — A/T Shift Lock System

## Diagnostic Procedure (Cont'd)



### CHECK INPUT SIGNAL (DETENTION SWITCH).

1. Reconnect control unit harness connector.
2. Turn ignition switch from "OFF" to "ON" position.

- 4 3. Set selector lever in "P" position and release selector lever button.

**When selector lever cannot be moved from "P" position with brake pedal depressed, set ignition key to "ACC" position and move lever. Then set ignition key to "ON" position.**

- 5 4. Disconnect control unit harness connector.
5. Check continuity between control unit harness terminal ⑤ and ground.

**Continuity should not exist.**

NG → Check detention switch —shift.  
(Refer to "COMPONENT CHECK", AT-96.)

OK ↓

### CHECK INPUT SIGNAL (DETENTION SWITCH).

1. Turn ignition switch from "ON" to "OFF" position.

(Do not start engine.)

- 6 2. Check continuity between control unit harness terminal ⑤ and ground with brake pedal depressed and selector lever button pushed.

**Continuity should exist.**

- 7 3. Check continuity between control unit harness terminal ⑤ and ground with selector lever set in any position except "P".

**Battery voltage should exist.**

NG → Check the following items:

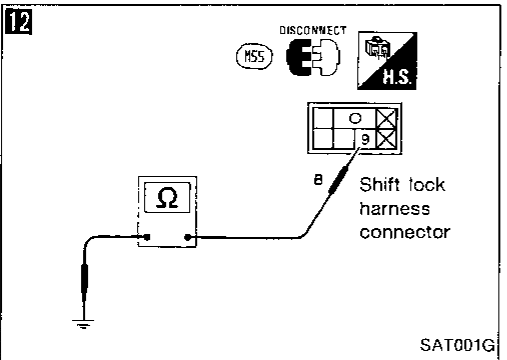
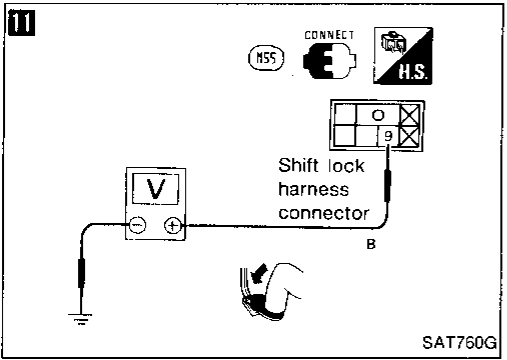
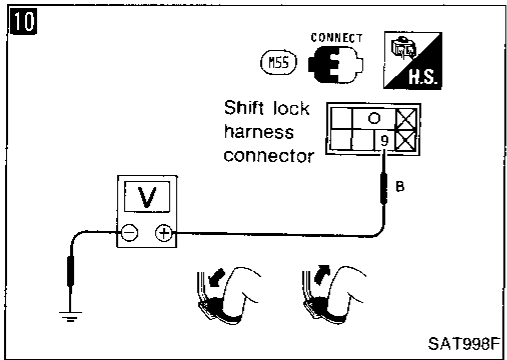
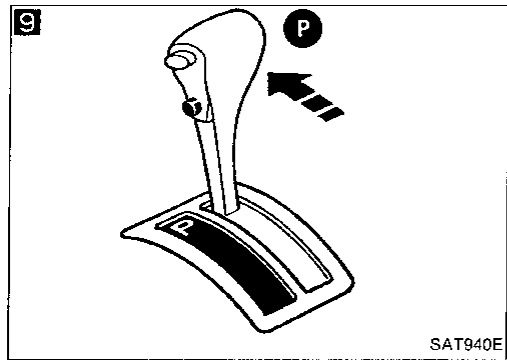
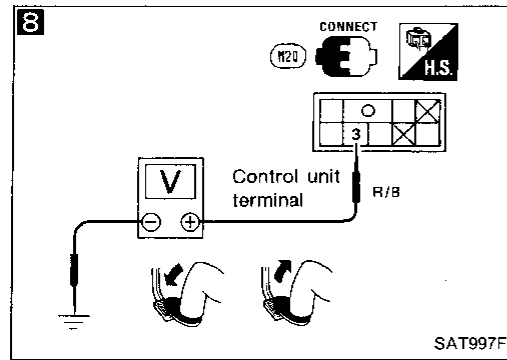
1. Harness continuity between control unit harness terminal ⑤ and detention switch harness terminal ⑤
2. Harness continuity between detention switch harness terminal and ground
3. Detention switch (Refer to "COMPONENT CHECK", AT-96.)

OK ↓

Ⓑ

# TROUBLE DIAGNOSES — A/T Shift Lock System

## Diagnostic Procedure (Cont'd)



**8**

**CHECK INPUT SIGNAL (STOP LAMP SWITCH).**

- Turn ignition switch to "ON" position. (Do not start engine.)
- Check voltage between control unit harness terminal ③ and ground.

Brake pedal	Voltage
Depressed	Battery voltage
Released	0V

NG → Check the following items:

1. Harness continuity between control unit harness terminal ③ and stop lamp switch harness terminal ②
2. Harness continuity between stop lamp switch harness terminal ② and fuse
3. Stop lamp switch (Refer to "COMPONENT CHECK", AT-96.)

OK ↓

**9 10**

1. Set selector lever in "P" position.
2. Turn ignition switch to "ON" position. (Do not start engine.)
3. Check voltage between shift lock harness connector terminal ⑨ and body ground.

Brake pedal	Voltage
Depressed	Battery voltage
Released	0V

NG → Check harness continuity between control unit harness terminal ② and shift lock solenoid harness terminal ⑨.

4. Turn ignition switch from "ON" to "OFF" position.
5. Check voltage between shift lock harness connector terminal ⑨ and ground with brake pedal depressed.

0V

OK ↓

**12**

**CHECK GROUND CIRCUIT FOR SHIFT LOCK SOLENOID.**

1. Disconnect shift lock harness connector.
2. Check continuity between shift lock harness terminal ⑨ and ground. **Continuity should exist.**

NG → Repair harness or connector.

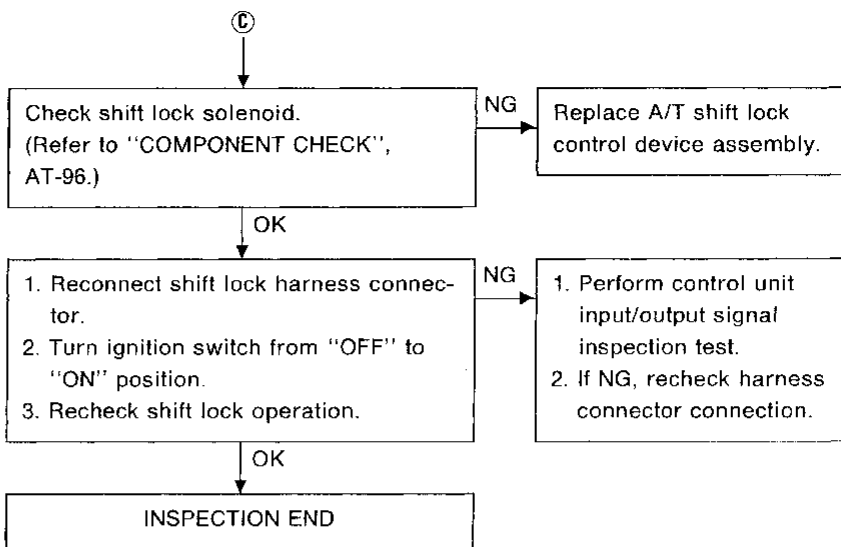
OK ↓

**C**

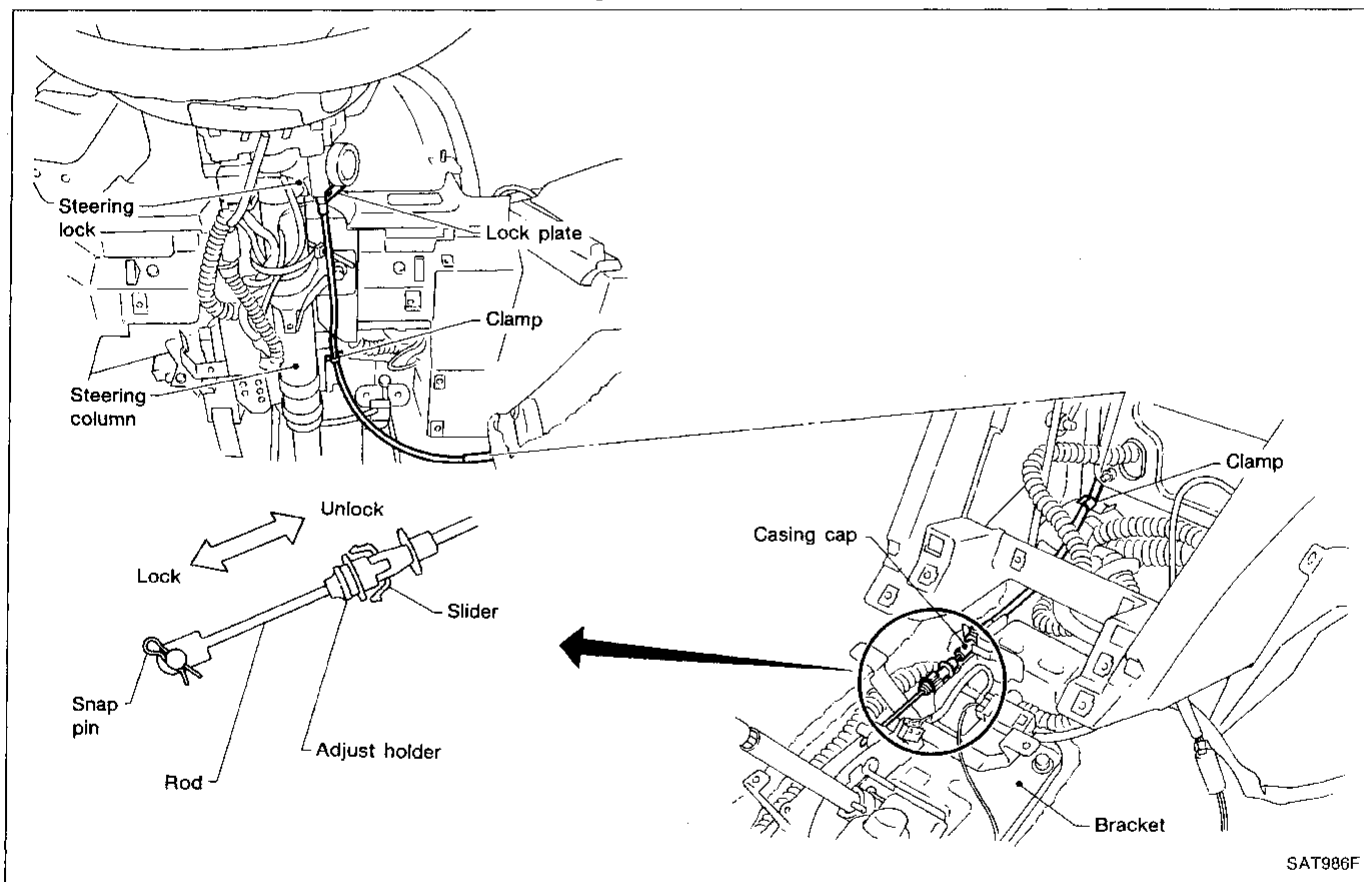
GI  
MA  
EM  
LC  
EF & EC  
FE  
CL  
MT  
AT  
PD  
FA  
RA  
BR  
ST  
BF  
HA  
EL  
IDX

# TROUBLE DIAGNOSES — A/T Shift Lock System

## Diagnostic Procedure (Cont'd)



## Key Interlock Cable

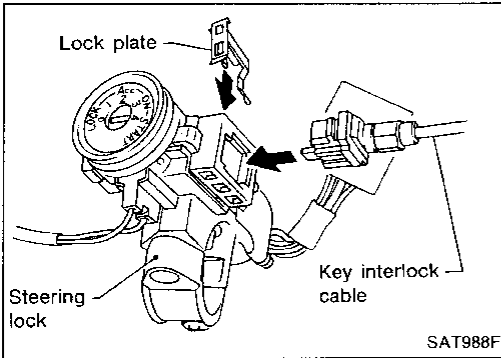
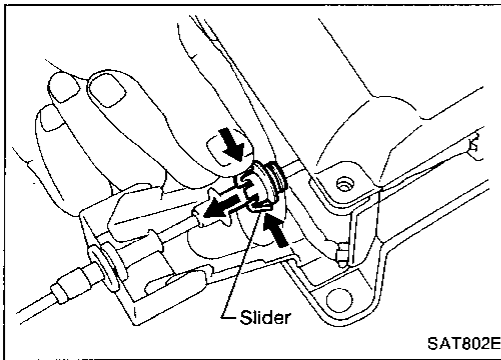


# TROUBLE DIAGNOSES — A/T Shift Lock System

## Key Interlock Cable (Cont'd)

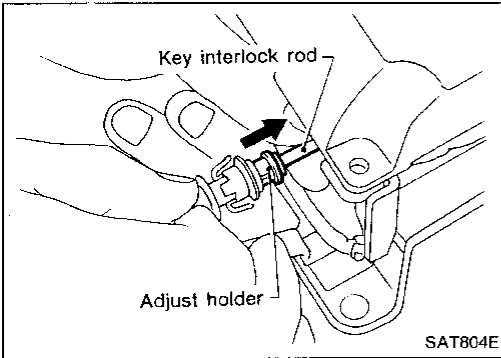
### REMOVAL

Unlock slider from adjuster holder and remove rod from cable.

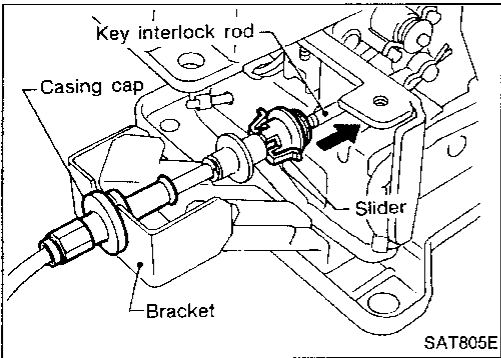


### INSTALLATION

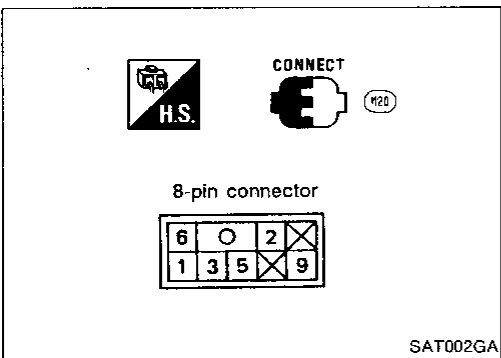
1. Set key interlock cable to steering lock assembly and install lock plate.
2. Clamp cable to steering column and fix to control cable with band.
3. Set control lever to P position.



4. Insert interlock rod into adjuster holder.



5. Install casing cap to bracket.
6. Move slider in order to fix adjuster holder to interlock rod.



### Shift Lock Control Unit Inspection

- Measure voltage between each terminal and terminal ⑨ by following "Shift Lock Control Unit Inspection Table".
- Pin connector terminal layout.

CI

MA

EM

LC

EF &  
EC

FE

CL

MT

AT

PD

FA

RA

BR

ST

BF



HA

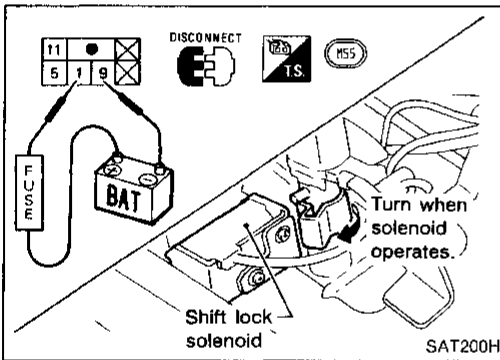
EL

IDX

## Shift Lock Control Unit Inspection Table

(Data are reference values.)

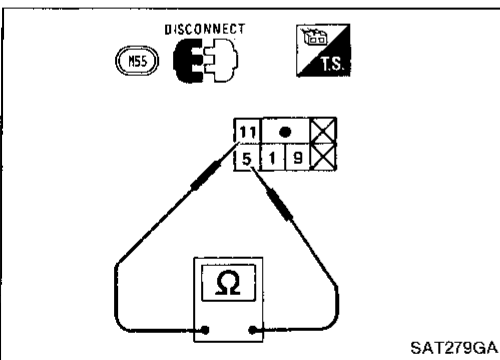
Terminal No.		Item	Condition	Judgment standard
⊕	⊖			
1		Shift lock signal	 When selector lever is set in "P" position and brake pedal is depressed.	Battery voltage
			Except above	0V
2		Power source	Any condition	Battery voltage
3		Stop lamp switch	When brake pedal is depressed.	Battery voltage
			When brake pedal is released.	0V
5	9	Detention switch	<ul style="list-style-type: none"> <li>When key is inserted into key cylinder and selector lever is set in "P" position with selector lever button pushed.</li> <li>When selector lever is set in any position except "P".</li> </ul>	Battery voltage
			Except above	0V
6		Ignition signal		Battery voltage
			Except above	0V
9	—	Ground	—	—



### Component Check

#### SHIFT LOCK SOLENOID

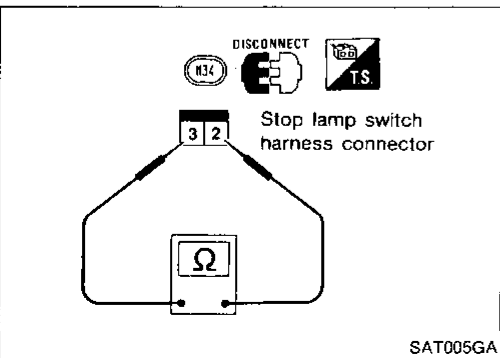
- Check operation by applying battery voltage to shift lock harness connector.



#### DETENTION SWITCH

- Check continuity between terminals ⑤ and ⑪ of shift lock harness connector.

Condition	Continuity
When selector lever is set in "P" position and selector lever button is released	No
Except above	Yes



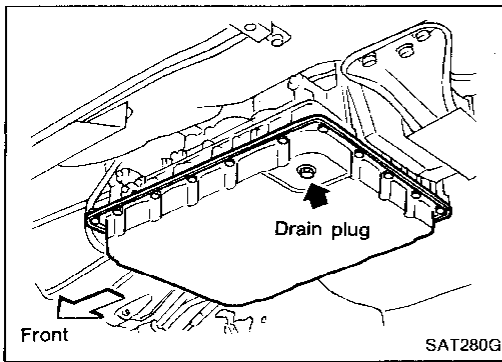
#### STOP LAMP SWITCH

- Check continuity between terminals ② and ③ of stop lamp switch harness connector.

Condition	Continuity
When brake pedal is depressed	Yes
When brake pedal is released	No

Check stop lamp switch after adjusting brake pedal — refer to section BR.





### Control Valve Assembly and Accumulators Inspection

1. Drain fluid by removing drain plug.
2. Remove oil pan and gasket.

3. Remove oil strainer.

GI

MA

EM

LC

EF &  
EC

FE

CL

MT

AT

PD

FA

RA

BR

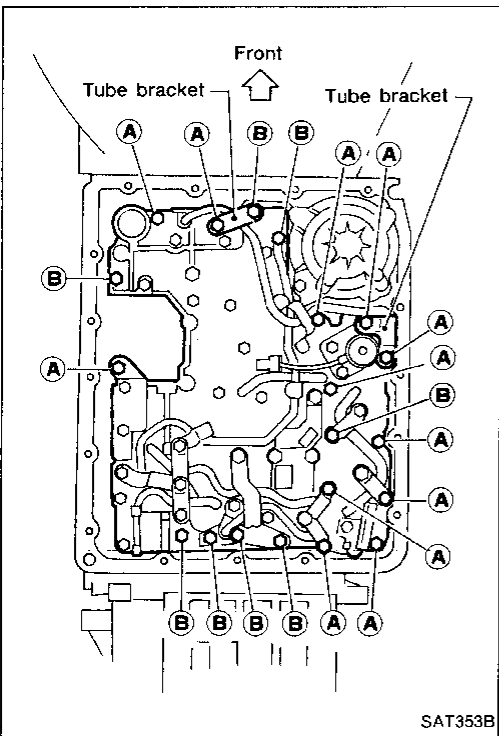
ST

BF

HA


EL

IDX

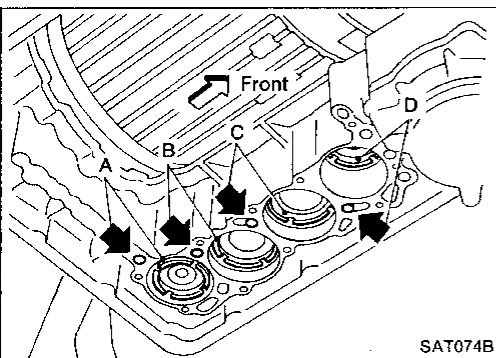


4. Remove control valve assembly by removing fixing bolts and disconnecting harness connector.

#### Bolt length and location

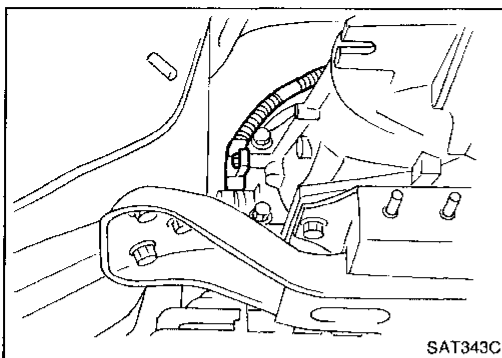
Bolt symbol	ℓ mm (in)	 ℓ
Ⓐ	33 (1.30)	
Ⓑ	45 (1.77)	

5. Remove solenoids and valves from valve body if necessary.
6. Remove terminal cord assembly if necessary.



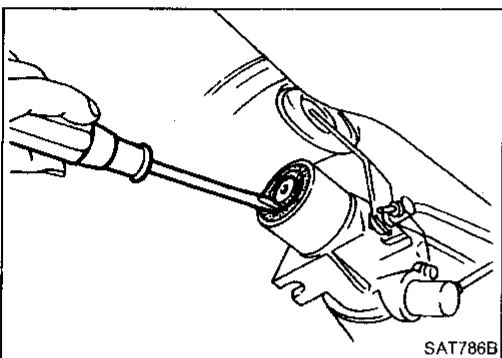
7. Remove accumulators A, B, C and D by applying compressed air if necessary.

- Hold each piston with rag.
- 8. Reinstall any part removed.
- Always use new sealing parts.



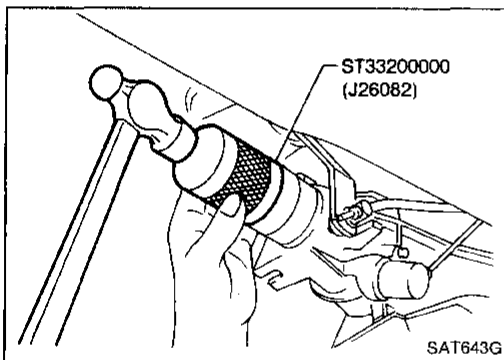
## Revolution Sensor Replacement

1. Remove exhaust tube.
  2. Remove revolution sensor from A/T assembly.
  3. Reinstall any part removed.
- **Always use new sealing parts.**

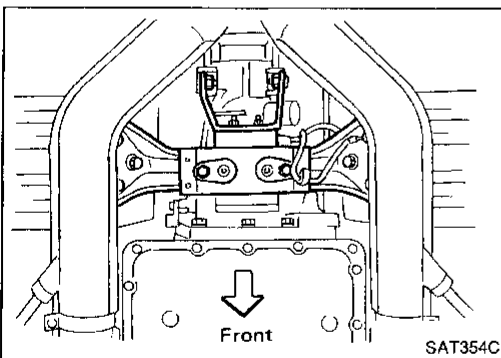


## Rear Oil Seal Replacement

1. Remove propeller shaft from vehicle. — Refer to section PD. (PROPELLER SHAFT, Removal)
2. Remove rear oil seal.

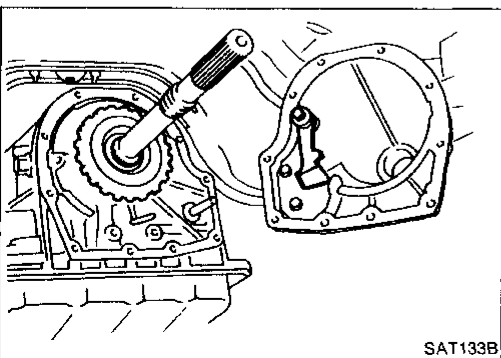


3. Install rear oil seal.
  4. Reinstall any part removed.
- **Apply ATF before installing.**

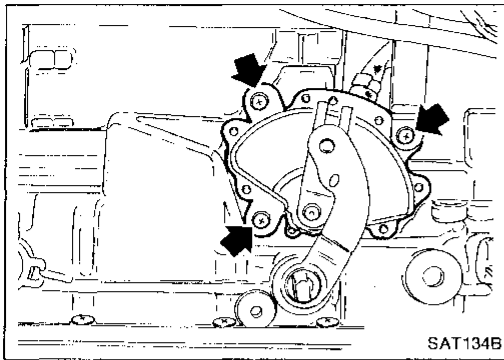


## Parking Components Inspection

1. Remove exhaust tube.
2. Remove propeller shaft from vehicle. — Refer to section PD. (PROPELLER SHAFT, Removal)
3. Remove rear engine mounting member from A/T assembly while supporting A/T with jack.



4. Remove rear extension from transmission case.
  5. Replace parking components if necessary.
  6. Reinstall any part removed.
- **Always use new sealing parts.**



### Inhibitor Switch Adjustment

1. Remove manual control linkage from manual shaft of A/T assembly.
2. Set manual shaft of A/T assembly in "N" position.
3. Loosen inhibitor switch fixing bolts.

GI

MA

EM

LC

EF &  
EC

FE

CL

MT

AT

PD

FA

RA

BR

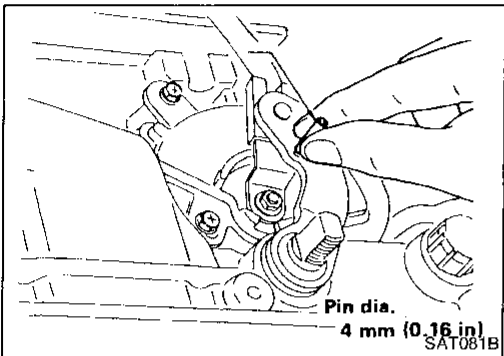
ST

BF

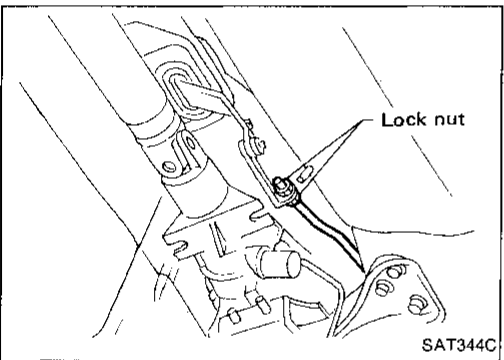
HA

EL

IDX



4. Insert pin into adjustment holes in both inhibitor switch and manual shaft of A/T assembly as near vertical as possible.
5. Reinstall any part removed.
6. Check continuity of inhibitor switch. — Refer to "Electrical Components Inspection", AT-78.

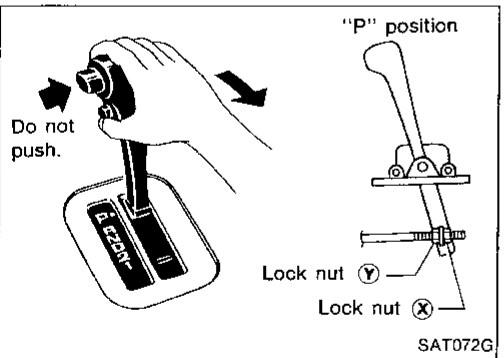


### Manual Control Linkage Adjustment

Move selector lever from "P" position to "1" position. You should be able to feel the detents in each position.

If the detents cannot be felt or the pointer indicating the position is improperly aligned, the linkage needs adjustment.

1. Place selector lever in "P" position.
2. Loosen lock nuts.

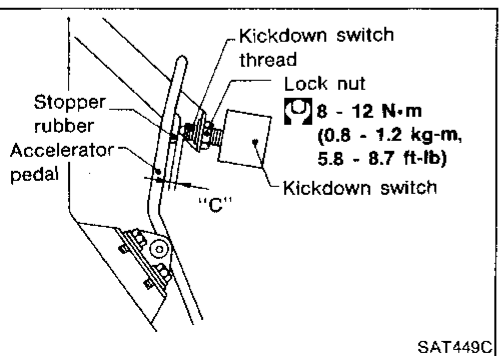


3. Tighten lock nut (X) until it touches trunnion pulling selector lever toward "R" position side without pushing button.
4. Back off lock nut (X) 1 turn and tighten lock nut (Y) to the specified torque.

#### Lock nut:

: 29 - 39 N·m (3.0 - 4.0 kg-m, 22 - 29 ft-lb)

5. Move selector lever from "P" position to "1" position. Make sure that selector lever can move smoothly.

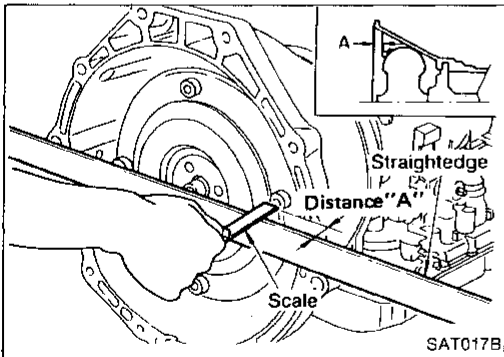
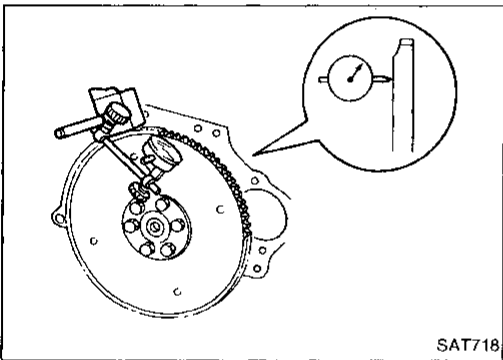
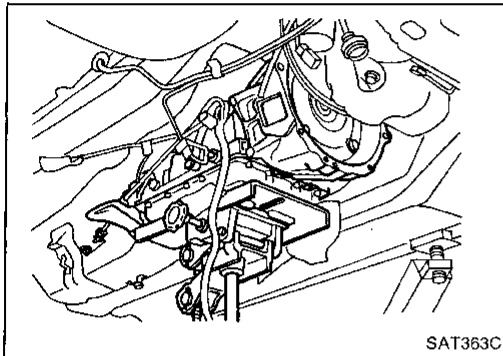
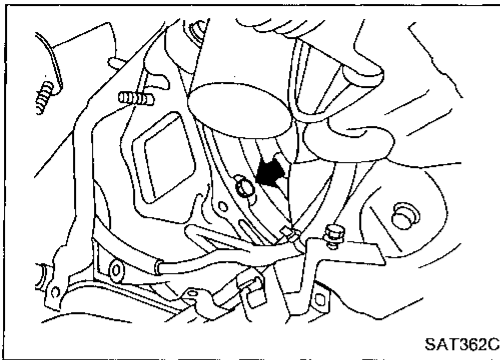


### Kickdown Switch Adjustment

1. Adjust accelerator cable — Refer to section FE. (ACCELERATOR CONTROL SYSTEM)
2. Adjust clearance "C" between stopper rubber and end of kickdown switch thread while depressing accelerator pedal fully.

Clearance "C": 0.3 - 1.0 mm (0.012 - 0.039 in)

## REMOVAL AND INSTALLATION



### Removal

- Remove exhaust tube.
- Remove fluid charging pipe from A/T assembly.
- Remove oil cooler pipe from A/T assembly.
- Remove control linkage from selector lever.
- Disconnect inhibitor switch and solenoid harness connectors.
- Remove speedometer cable from A/T assembly.
- Plug up openings such as the oil charging pipe hole, etc.
- Remove propeller shaft. — Refer to section PD. (PROPELLER SHAFT, Removal)
- **Insert plug into rear oil seal after removing propeller shaft.**
- **Be careful not to damage spline, sleeve yoke and rear oil seal, when removing propeller shaft.**
- Remove starter motor.
- Remove gusset securing engine to A/T assembly.
- Remove bolts securing torque converter to drive plate.
- **Remove the bolts by turning crankshaft.**
- Support engine by placing a jack under oil pan.
- **Do not place jack under oil pan drain plug.**
- Remove transmission from engine.
- **Support automatic transmission, while removing it.**

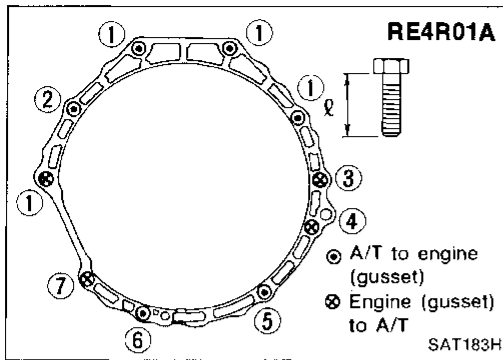
### Installation

- Drive plate runout  
**Maximum allowable runout:**  
**0.5 mm (0.020 in)**  
If this runout is out of allowance, replace drive plate with ring gear.
- When connecting torque converter to transmission, measure distance "A" to be certain that they are correctly assembled.  
**Distance "A":**  
**RE4R01A**  
**26.0 mm (1.024 in) or more**  
**RE4R03A**  
**25.0 mm (0.984 in) or more**
- Install converter to drive plate.
- Reinstall any part removed.
- **After converter is installed to drive plate, rotate crankshaft several turns and check to be sure that transmission rotates freely without binding.**

# REMOVAL AND INSTALLATION

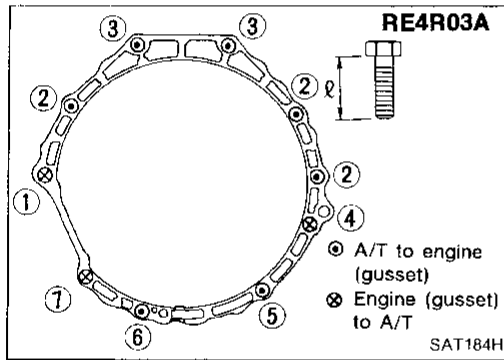
## Installation (Cont'd)

- Tighten bolts securing transmission.



### RE4R01A

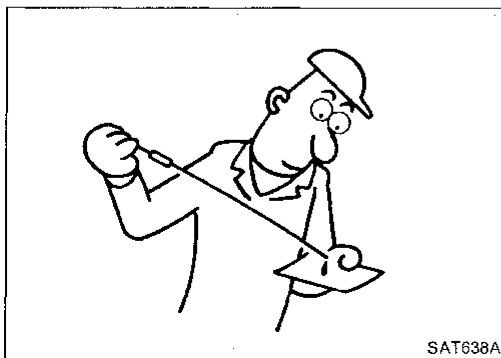
Bolt No.	Tightening torque N·m (kg·m, ft·lb)	Bolt length "L" mm (in)
1	39 - 49 (4.0 - 5.0, 29 - 36)	45 (1.77)
2	39 - 49 (4.0 - 5.0, 29 - 36)	50 (1.97)
3	39 - 49 (4.0 - 5.0, 29 - 36)	60 (2.36)
4	29 - 39 (3.0 - 4.0, 22 - 29)	25 (0.98)
5	29 - 39 (3.0 - 4.0, 22 - 29)	60 (2.36)
6	39 - 49 (4.0 - 5.0, 29 - 36)	20 (0.79)
7	39 - 49 (4.0 - 5.0, 29 - 36)	25 (0.98)
Gusset to engine	29 - 39 (3.0 - 4.0, 22 - 29)	20 (0.79)



### RE4R03A

Bolt No.	Tightening torque N·m (kg·m, ft·lb)	Bolt length "L" mm (in)
1	39 - 49 (4.0 - 5.0, 29 - 36)	65 (2.56)
2	39 - 49 (4.0 - 5.0, 29 - 36)	60 (2.36)
3	39 - 49 (4.0 - 5.0, 29 - 36)	55 (2.17)
4	29 - 39 (3.0 - 4.0, 22 - 29)	25 (0.98)
5	29 - 39 (3.0 - 4.0, 22 - 29)	60 (2.36)
6	39 - 49 (4.0 - 5.0, 29 - 36)	20 (0.79)
7	39 - 49 (4.0 - 5.0, 29 - 36)	25 (0.98)
Gusset to engine	29 - 39 (3.0 - 4.0, 22 - 29)	20 (0.79)





- Reinstall any part removed.

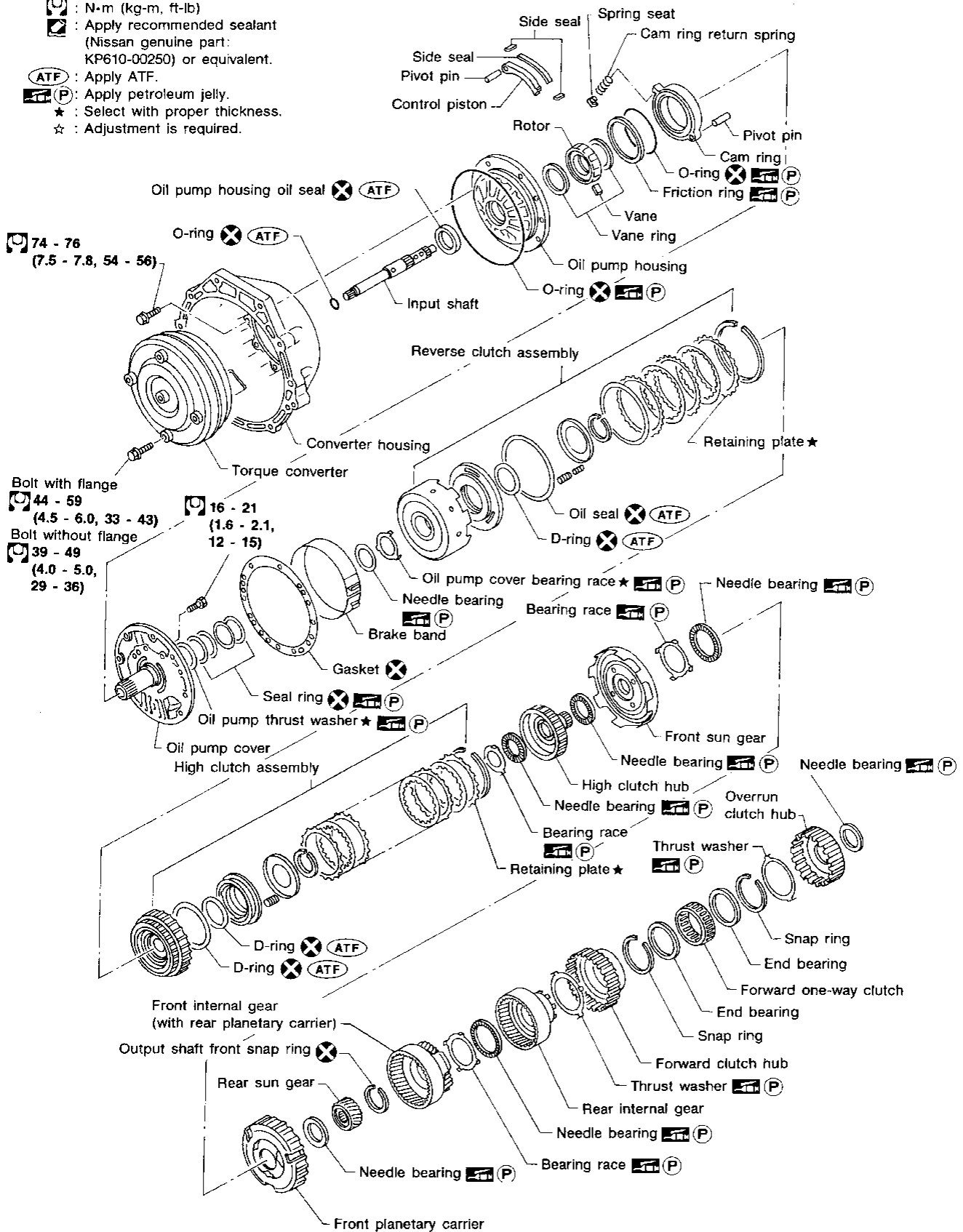


- Check fluid level in transmission.
- Move selector lever through all positions to be sure that transmission operates correctly. With parking brake applied, rotate engine at idling. Move selector lever through "N" to "D", to "2", to "1" and to "R". A slight shock should be felt by hand gripping selector each time transmission is shifted.
- Perform road test. — Refer to "ROAD TESTING", AT-21.

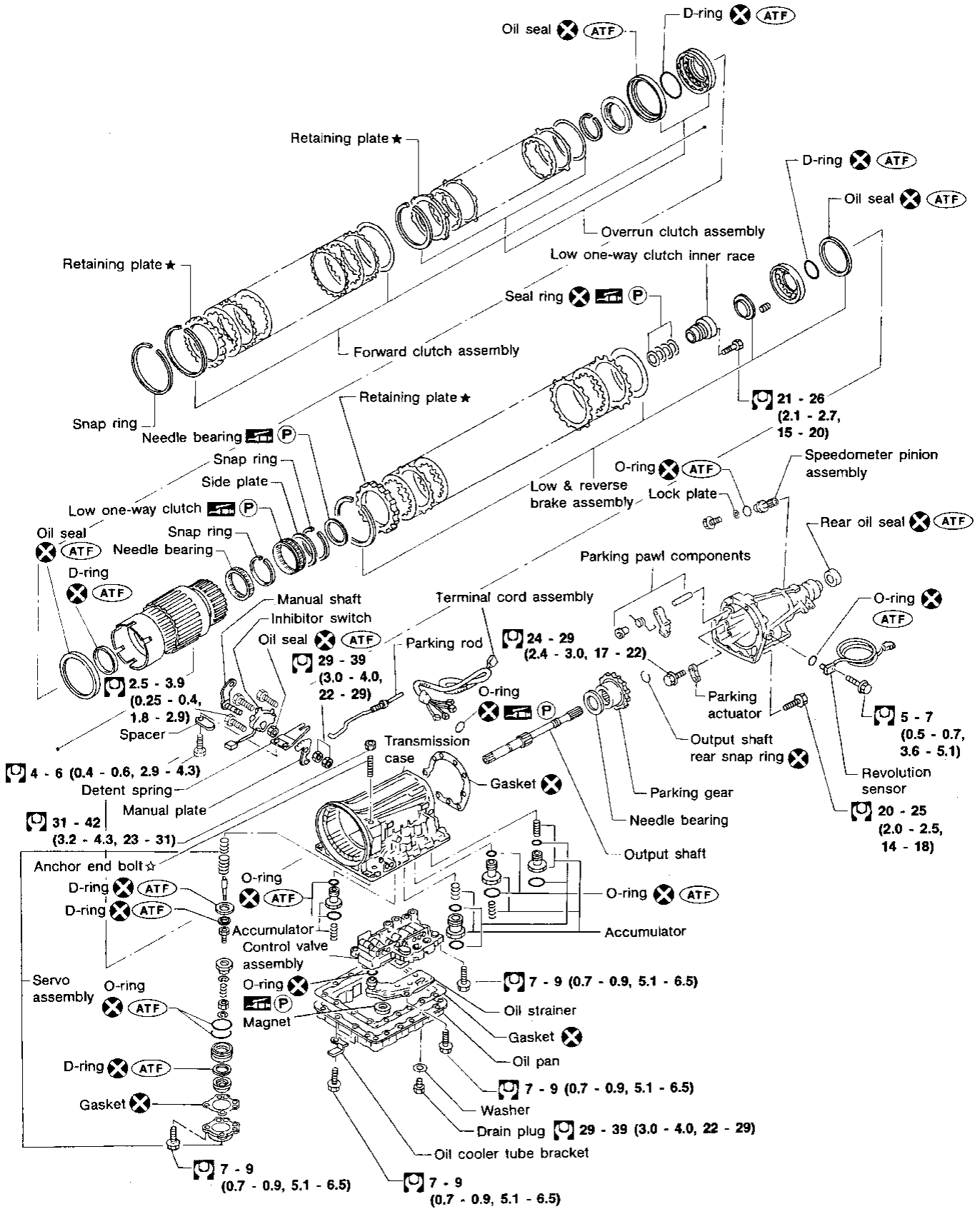
# MAJOR OVERHAUL

## RE4R01A

-  : N-m (kg-m, ft-lb)
-  : Apply recommended sealant (Nissan genuine part: KP610-00250) or equivalent.
-  : Apply ATF.
-  : Apply petroleum jelly.
- ★ : Select with proper thickness.
- ☆ : Adjustment is required.



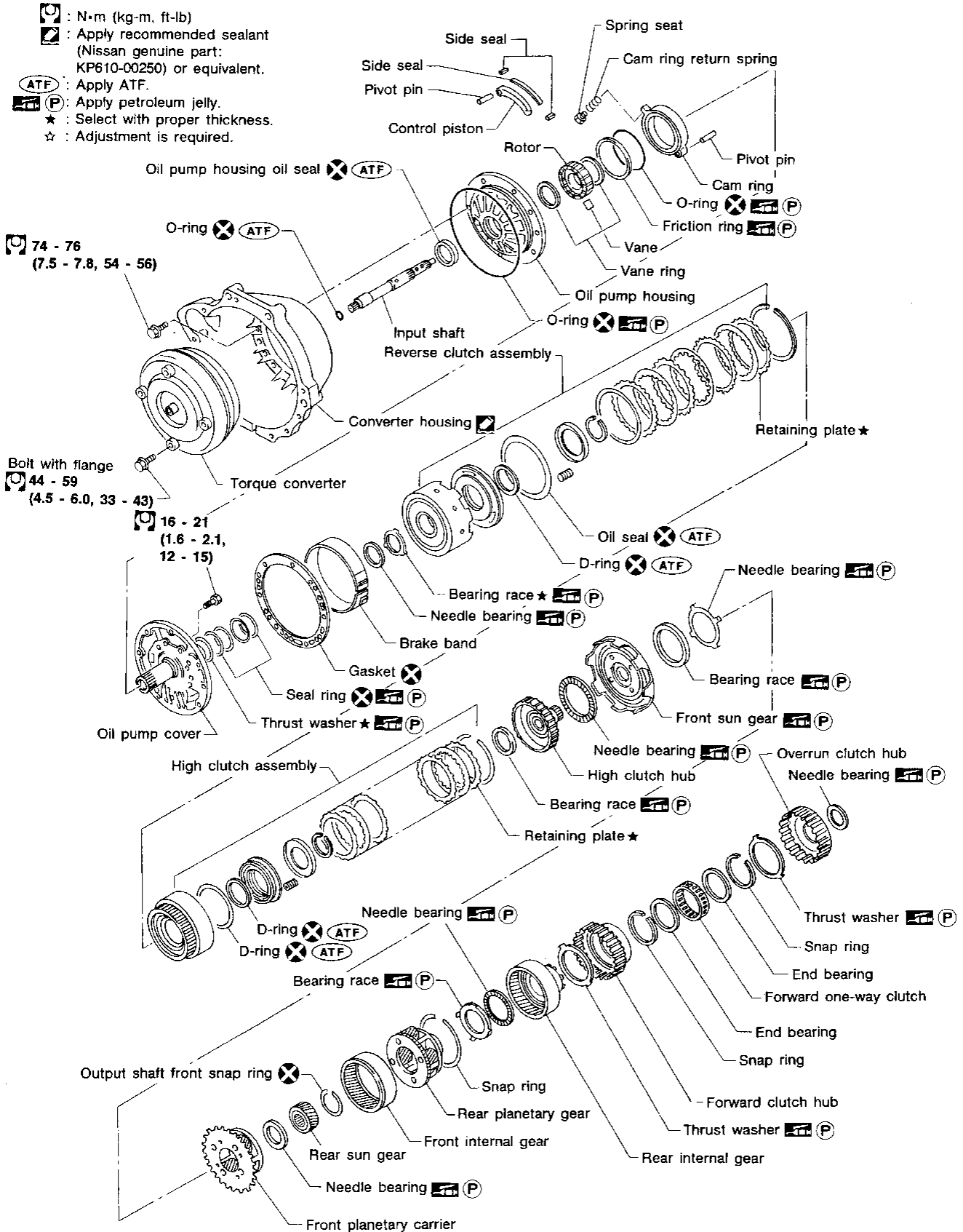
# MAJOR OVERHAUL RE4R01A (Cont'd)



GI  
MA  
EM  
LC  
EF & EC  
FE  
CL  
MT  
**AT**  
PD  
FA  
RA  
BR  
ST  
BF  
HA  
EL  
DX

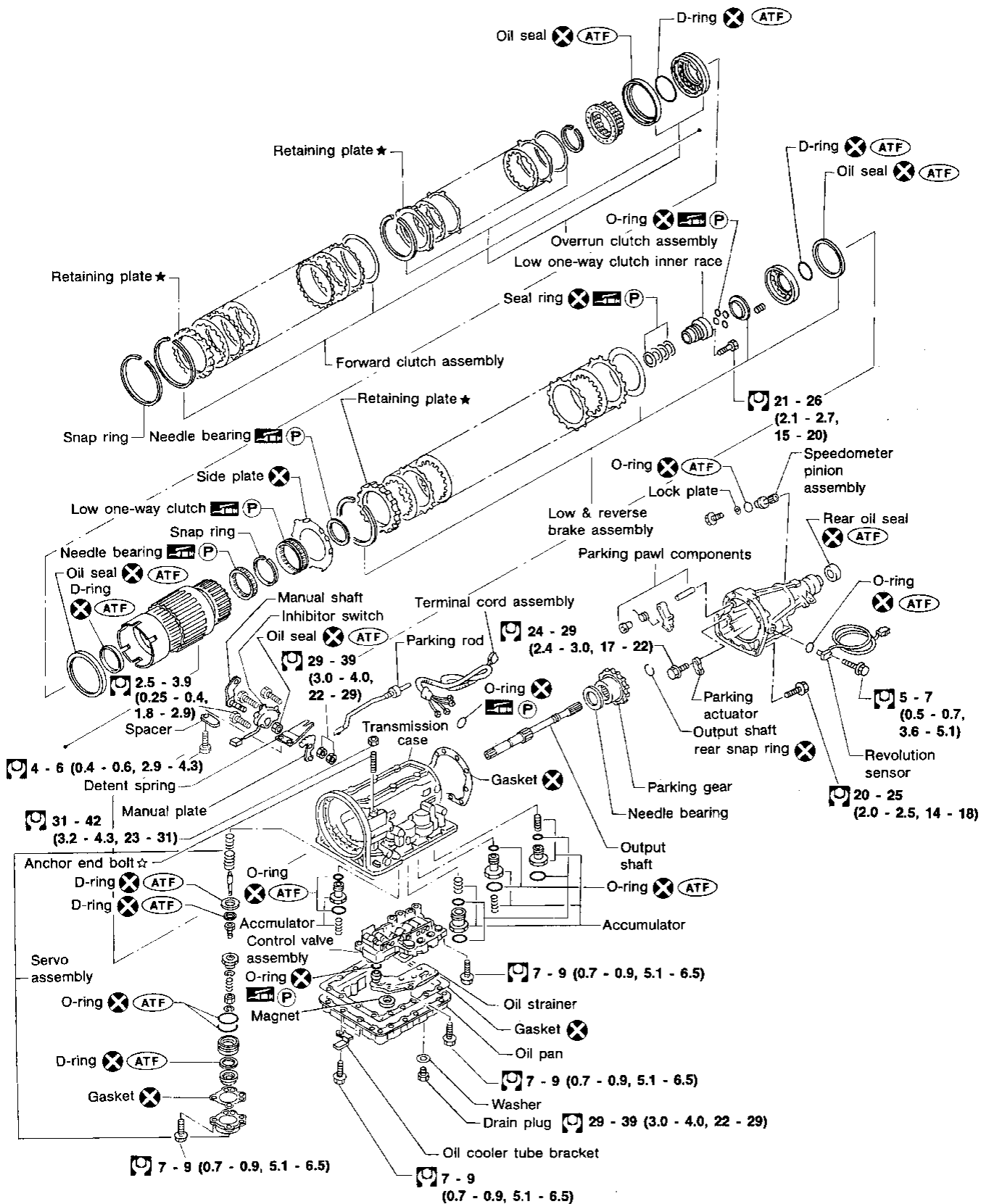
# MAJOR OVERHAUL

## RE4R03A





# MAJOR OVERHAUL RE4R03A (Cont'd)



GI

MA

EM

LC

EF &  
EC

FE

CL

MT

AT

PD

FA

RA

BR

ST

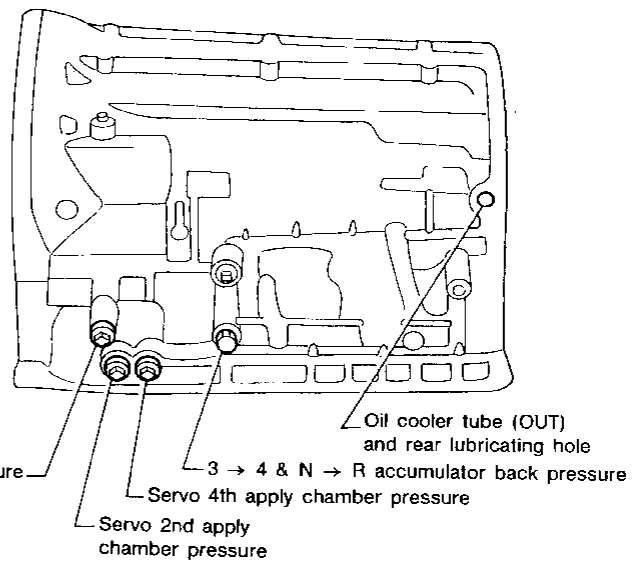
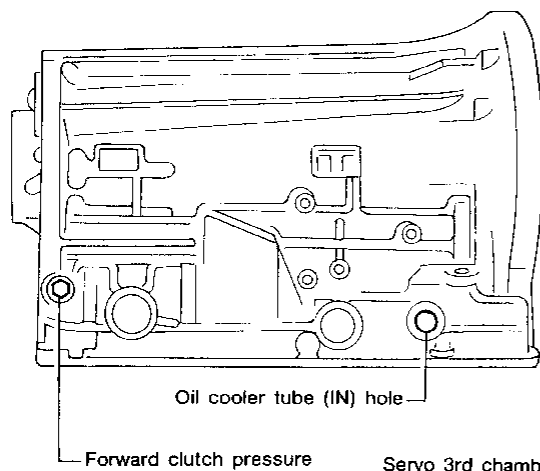
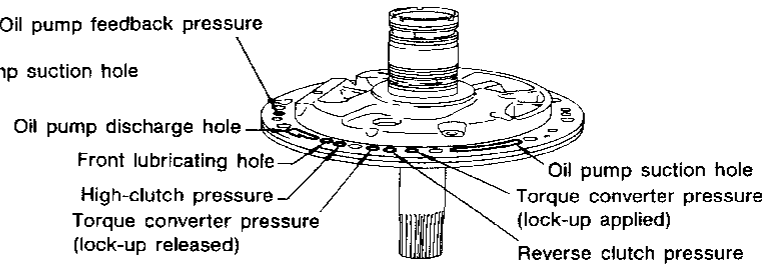
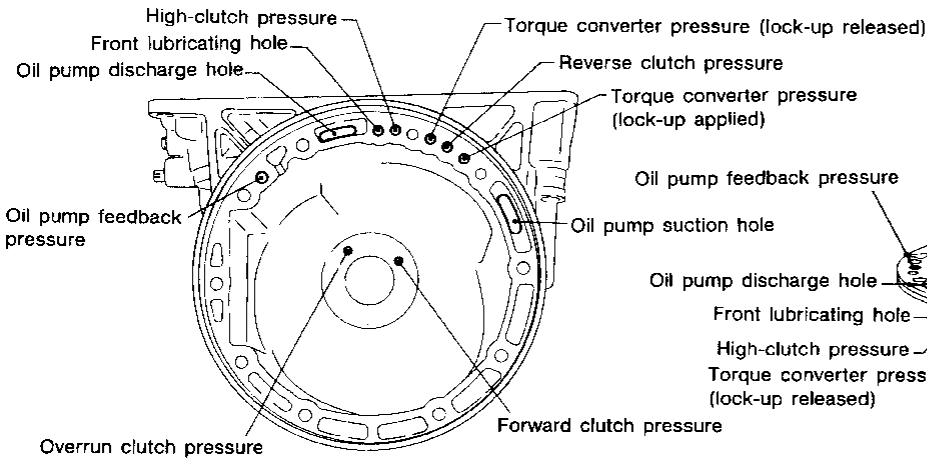
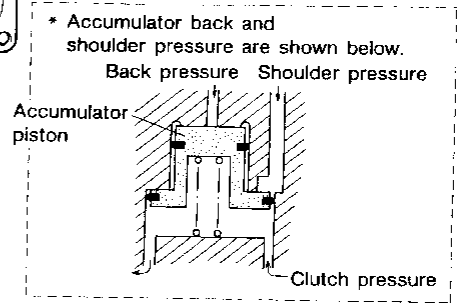
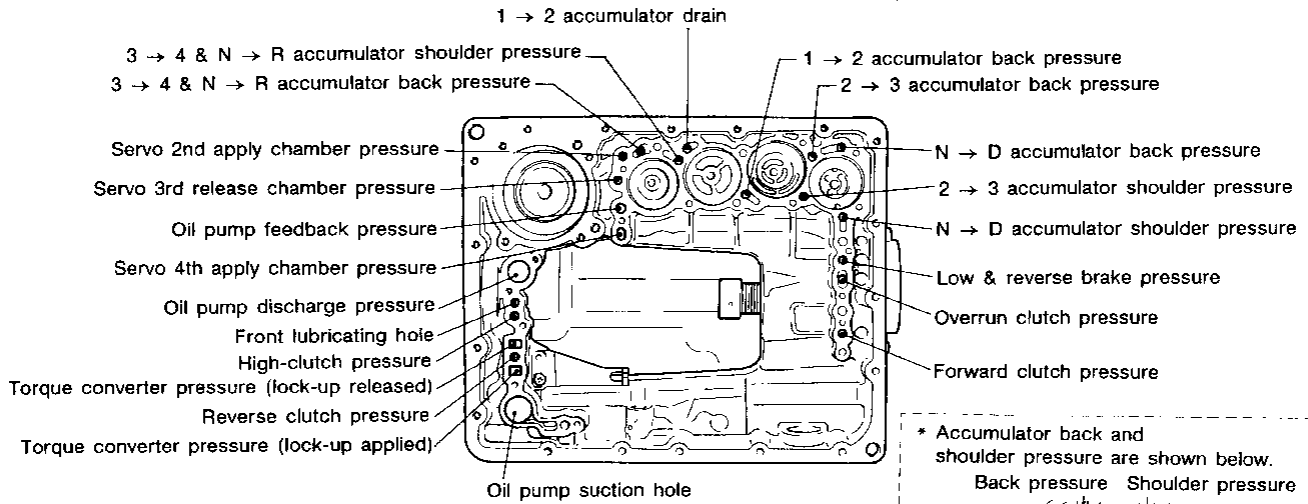
BF

HA

EL

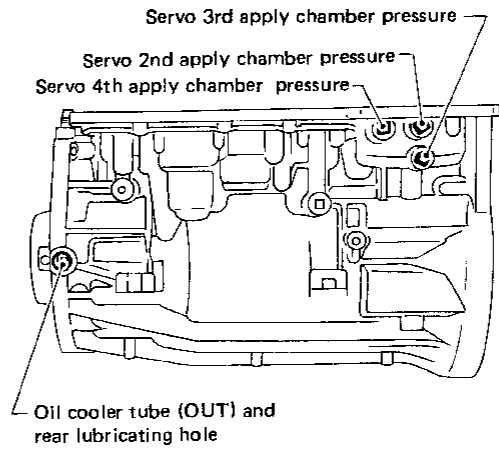
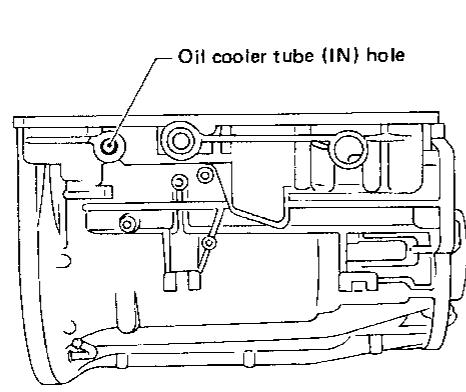
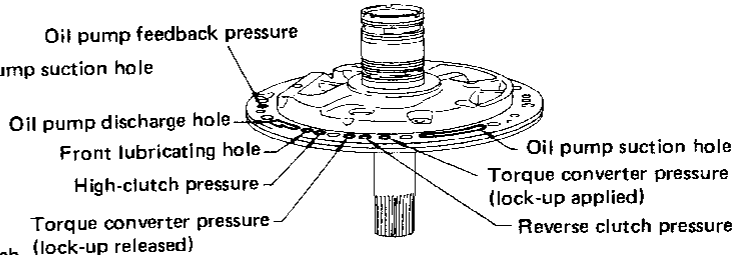
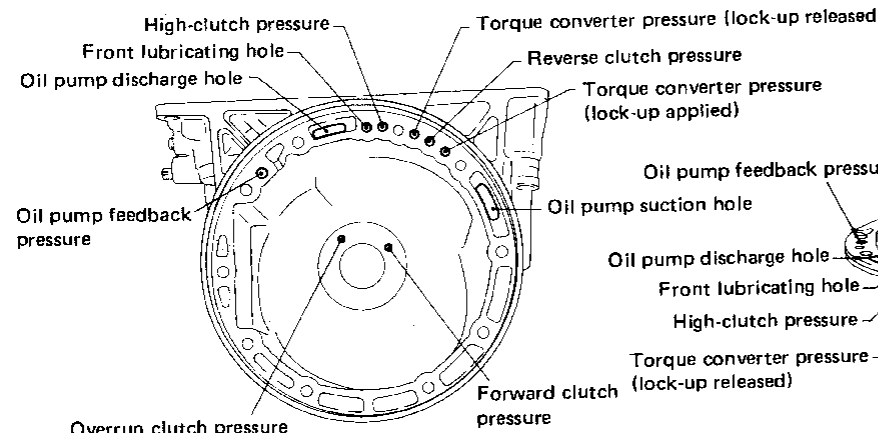
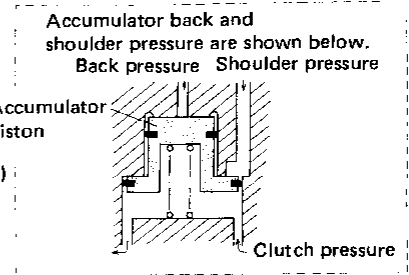
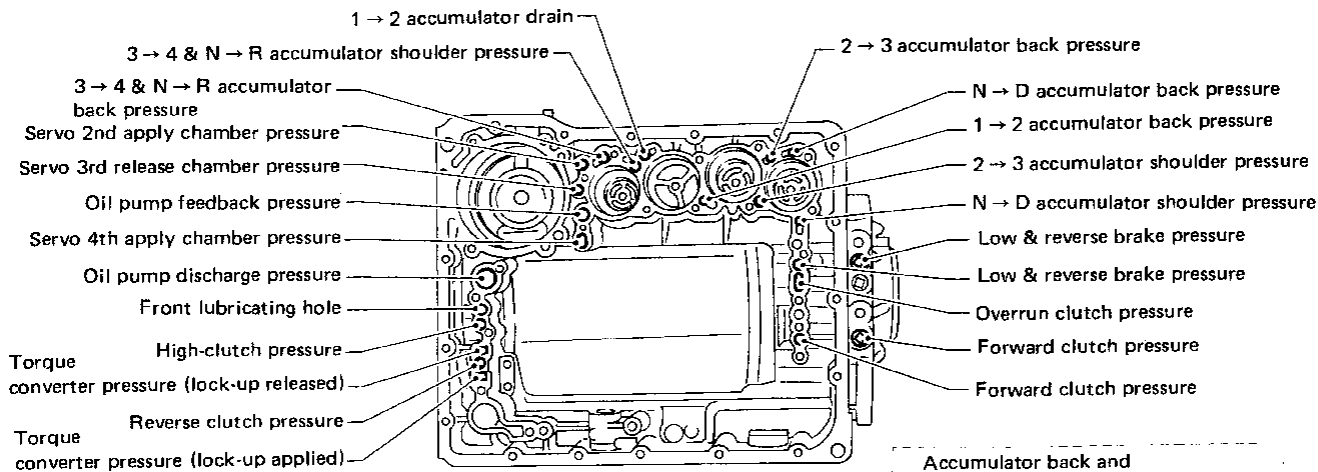
IDX

Oil Channel — RE4R01A



# MAJOR OVERHAUL

## Oil Channel — RE4R03A



GI  
MA  
EV  
LC  
EF & EC  
FE  
CL  
WT  
AT  
PD  
FA  
RA  
BR  
ST  
BF  
HA  
EL  
IDX

Locations of Needle Bearings, Thrust Washers and Snap Rings — RE4R01A

Outer diameter of snap rings

Item number	Outer diameter mm (in)
②	161.0 (6.34)
③	140.1 (5.52)
④	156.4 (6.16)
⑥	142.0 (5.59)
⑦	159.2 (6.27)

Thrust washers

Item number	Color
①	Black
⑤	White

Outer diameter of needle bearings

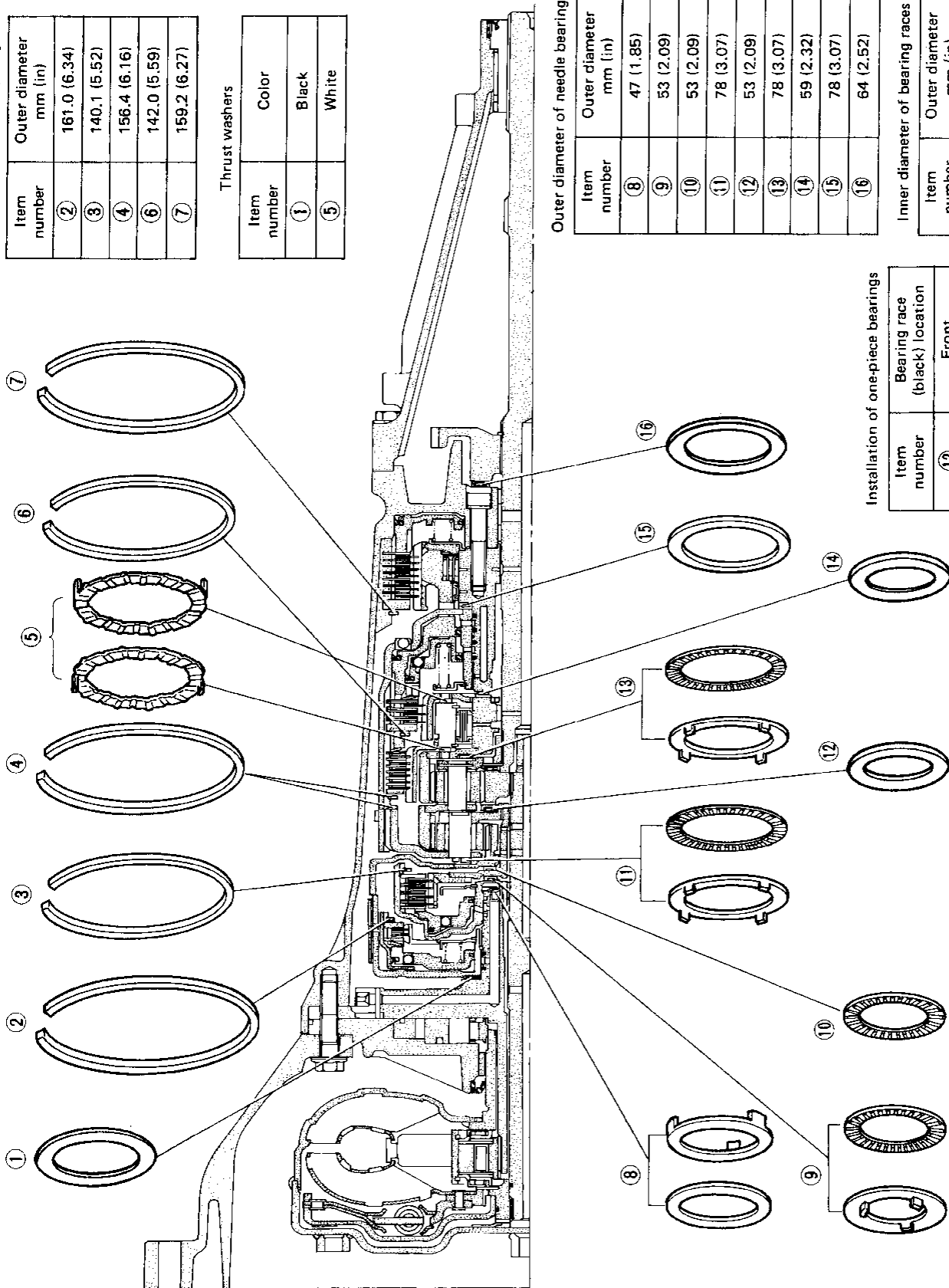
Item number	Outer diameter mm (in)
⑧	47 (1.85)
⑨	53 (2.09)
⑩	53 (2.09)
⑪	78 (3.07)
⑫	53 (2.09)
⑬	78 (3.07)
⑭	59 (2.32)
⑮	78 (3.07)
⑯	64 (2.52)

Inner diameter of bearing races

Item number	Outer diameter mm (in)
⑬	58 (2.28)
⑮	58.8 (2.315)

Installation of one-piece bearings

Item number	Bearing race (black) location
⑫	Front
⑮	Rear side
⑯	Rear side



Locations of Needle Bearings, Thrust Washers and Snap Rings — RE4R03A

Outer diameter of snap rings

Item number	Outer diameter mm (in)
②, ⑤	164.0 (6.46)
③	176.0 (6.93)
⑥	172.0 (6.77)

Thrust washers

Item number	Color
①	Black
④	White

Outer diameter of bearing races

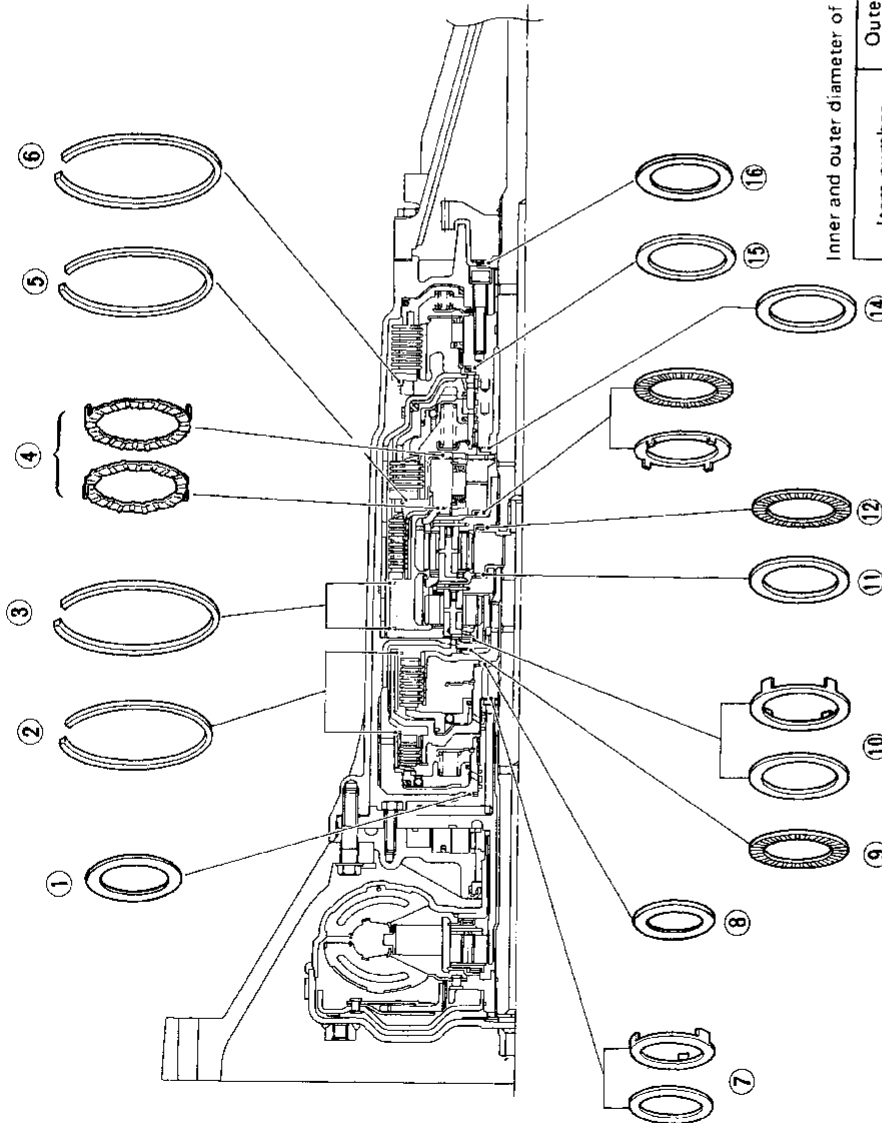
Item number	Outer diameter mm (in)
⑦	43.5 (1.713)
⑩	82.0 (3.228)
⑬	63.2 (2.488)

Installation of one-piece bearings

Item number	Bearing race (black) location
⑮	Rear side
⑯	Rear side

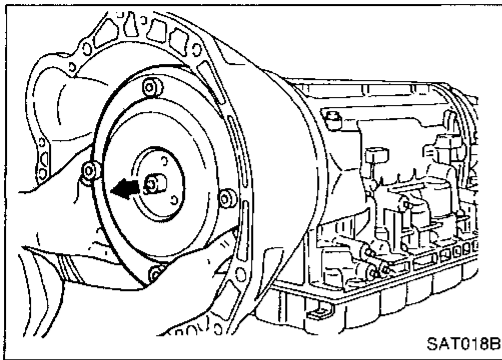
Inner and outer diameter of needle bearings

Item number	Outer diameter mm (in)	Inner diameter mm (in)	Number of needles
⑦	47.0 (1.850)	30.0 (1.181)	—
⑧	53.0 (2.087)	35.1 (1.382)	—
⑨, ⑩	85.0 (3.346)	62.7 (2.468)	—
⑪, ⑫	64.0 (2.520)	45.0 (1.772)	52
⑬	64.0 (2.520)	45.0 (1.772)	50
⑭	64.0 (2.520)	44.0 (1.732)	34
⑮	78.1 (3.075)	—	—
⑯	64.0 (2.520)	—	—



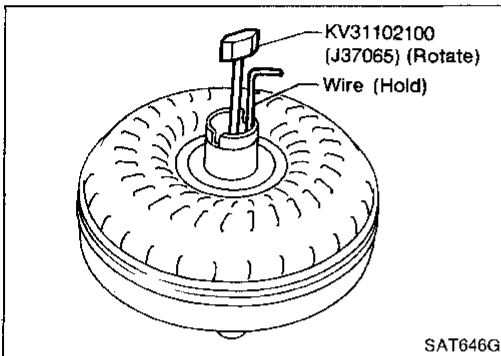
GI  
WA  
EM  
LC  
FF & EC  
FE  
CL  
MT  
**AT**  
PD  
FA  
RA  
BR  
ST  
BF  
HA  
EL  
IDX

## DISASSEMBLY



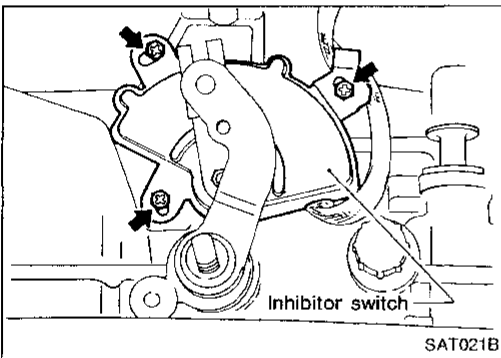
### Disassembly

1. Remove torque converter by holding it firmly and turning while pulling straight out.

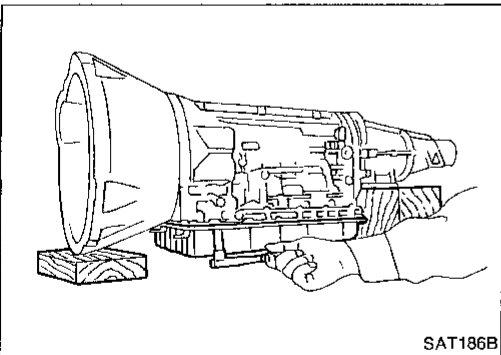


2. Check torque converter one-way clutch.

- Insert Tool into spline of one-way clutch inner race.
- Hook bearing support unitized with one-way clutch outer race with suitable wire.
- Check that one-way clutch inner race rotates only clockwise with Tool while holding bearing support with wire.



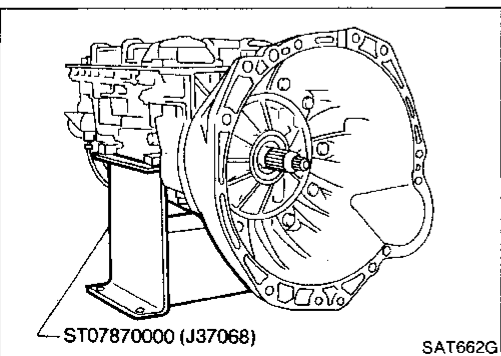
3. Remove inhibitor switch from transmission case.



4. Remove oil pan.

- Drain ATF from drain plug.
- Raise oil pan by placing wooden blocks under converter housing and rear extension.
- Separate the oil pan and transmission case.

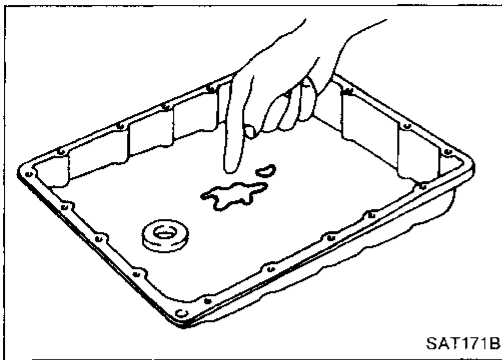
● **Always place oil pan straight down so that foreign particles inside will not move.**



5. Place transmission into Tool with the control valve facing up.

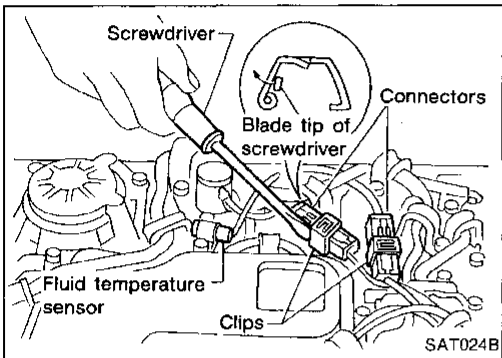
# DISASSEMBLY

## Disassembly (Cont'd)

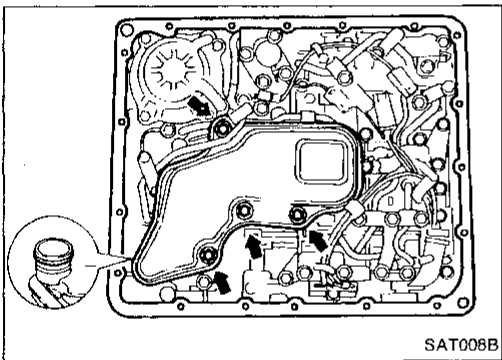


6. Check oil pan and oil strainer for accumulation of foreign particles.
  - If materials of clutch facing are found, clutch plates may be worn.
  - If metal filings are found, clutch plates, brake bands, etc. may be worn.
  - If aluminum filings are found, bushings or aluminum cast parts may be worn.

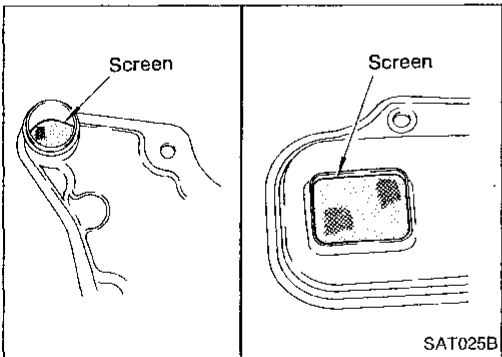
In above cases, replace torque converter and check unit for cause of particle accumulation.



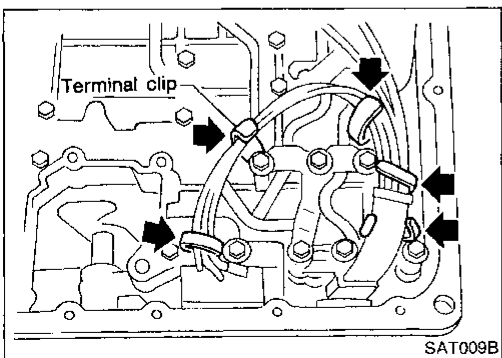
7. Remove torque converter clutch solenoid valve and fluid temperature sensor connectors.
  - **Be careful not to damage connector.**



8. Remove oil strainer.
  - a. Remove oil strainer from control valve assembly. Then remove O-ring from oil strainer.



- b. Check oil strainer screen for damage.



9. Remove control valve assembly.
  - a. Straighten terminal clips to free terminal cords then remove terminal clips.

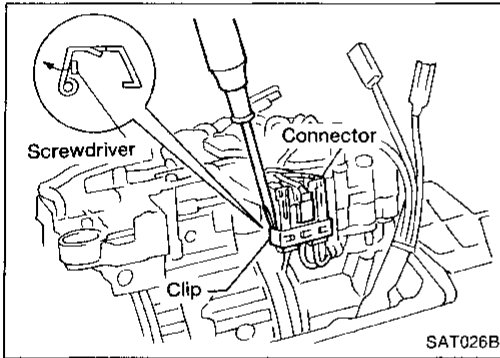
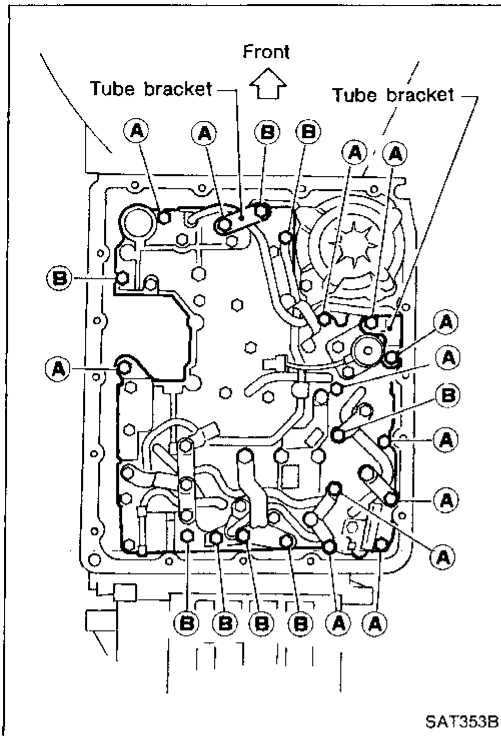
GI  
MA  
EM  
LC  
EF & EC  
FE  
CL  
WT  
AT  
PD  
FA  
RA  
BR  
ST  
BF  
HA  
EL  
IDX

## DISASSEMBLY

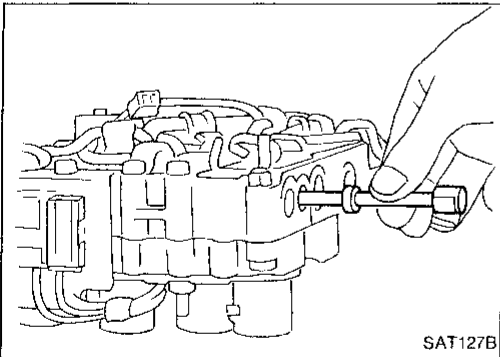
### Disassembly (Cont'd)

- b. Remove bolts **(A)** and **(B)**, and remove control valve assembly from transmission.

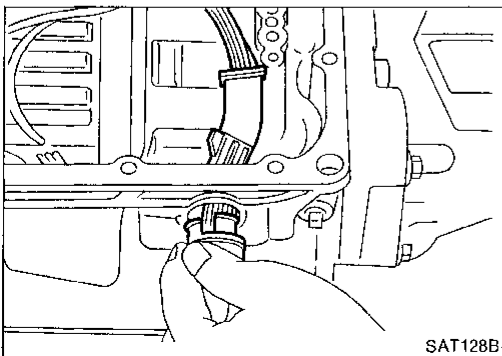
Bolt symbol	ℓ mm (in)
<b>(A)</b>	33 (1.30)
<b>(B)</b>	45 (1.77)



- c. Remove solenoid connector.
- **Be careful not to damage connector.**



- d. Remove manual valve from control valve assembly.

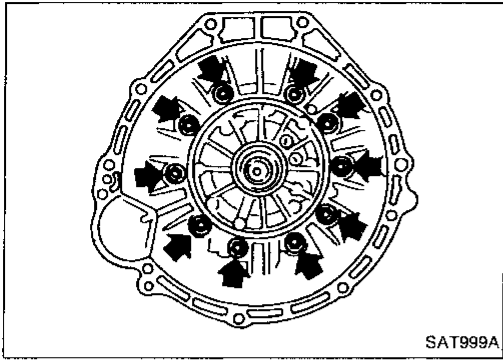


10. Remove terminal cord assembly from transmission case while pushing on stopper.
- **Be careful not to damage cord.**
  - **Do not remove terminal cord assembly unless it is damaged.**



# DISASSEMBLY

## Disassembly (Cont'd)



11. Remove converter housing.
  - a. Remove converter housing from transmission case.
  - b. Remove traces of sealant.
- **Be careful not to scratch converter housing.**

GI

MA

EM

LC

EF &  
EC

FE

CL

MT

AT

PD

FA

RA

BR

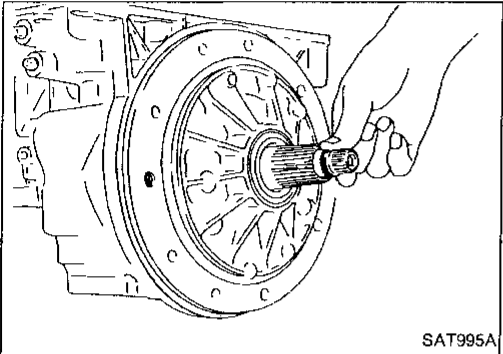
ST

BF

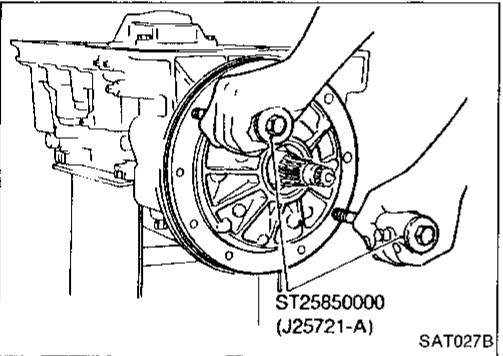
HA

EL

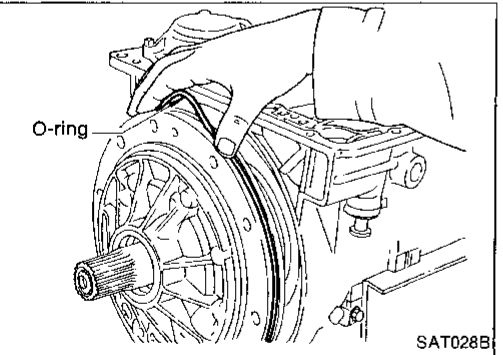
IDX



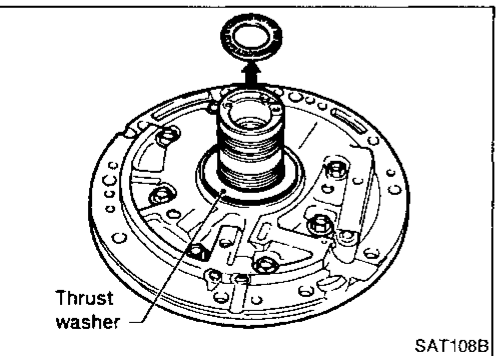
12. Remove O-ring from input shaft.



13. Remove oil pump assembly.
  - a. Attach Tool to oil pump assembly and extract it evenly from transmission case.



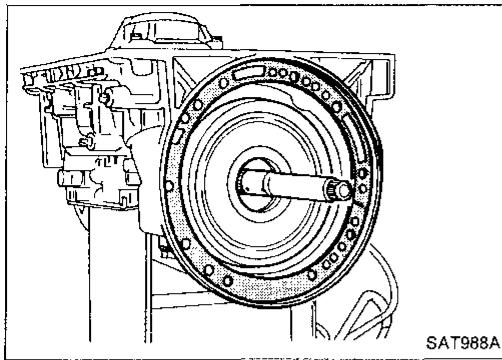
- b. Remove O-ring from oil pump assembly.
- c. Remove traces of sealant from oil pump housing.
- **Be careful not to scratch pump housing.**



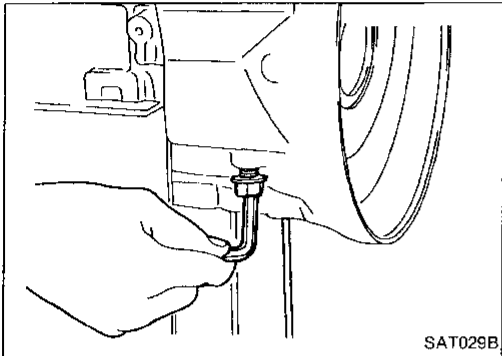
- d. Remove needle bearing and thrust washer from oil pump assembly.

## DISASSEMBLY

### Disassembly (Cont'd)

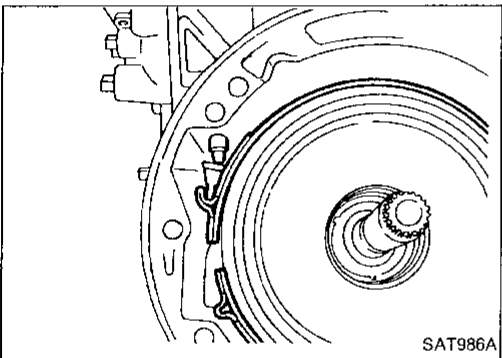


14. Remove input shaft and oil pump gasket.

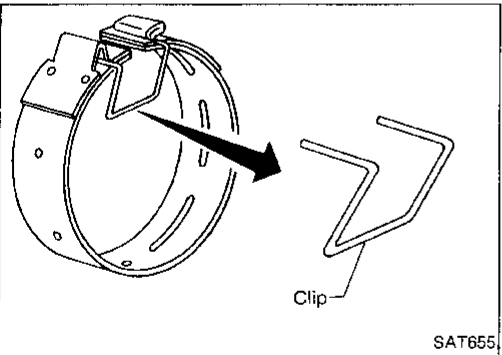


15. Remove brake band and band strut.

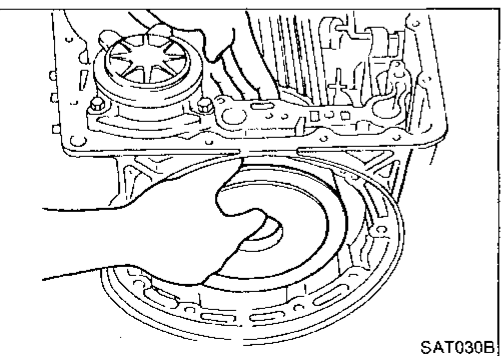
a. Loosen lock nut and remove band servo anchor end pin from transmission case.



b. Remove brake band and band strut from transmission case.



c. Hold brake band in a circular shape with clip. Check brake band facing for damage, cracks, wear or burns.

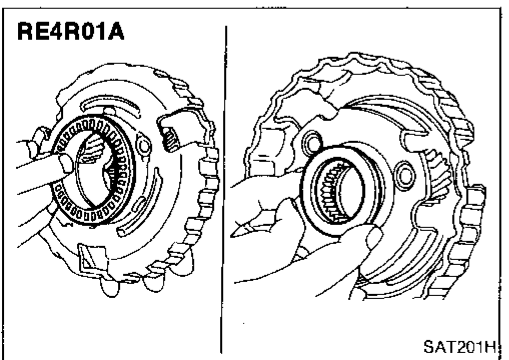
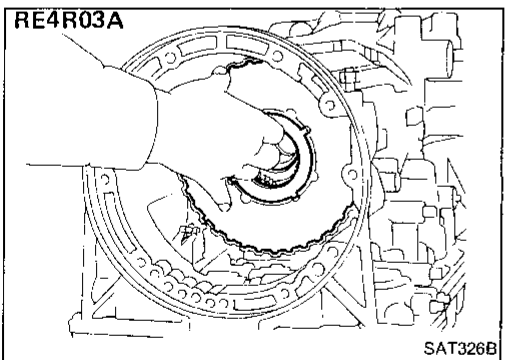
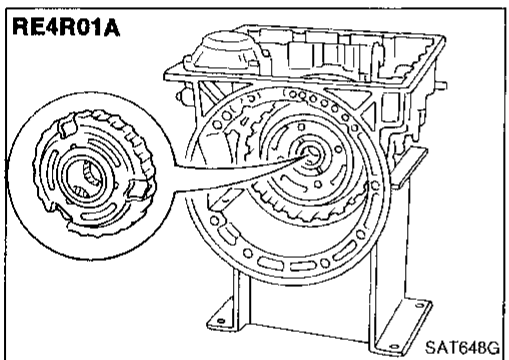
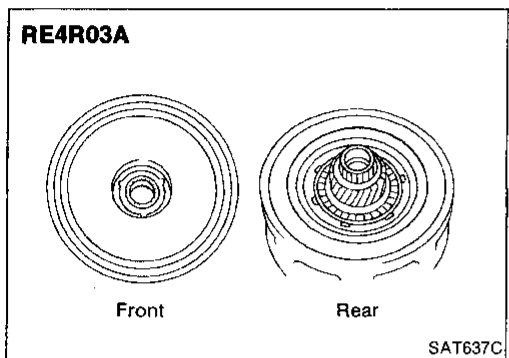
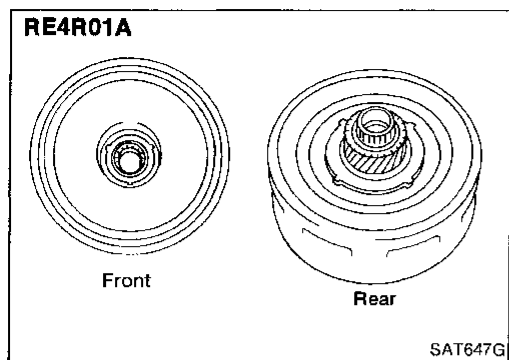


16. Remove front side clutch and gear components.

a. Remove clutch pack (reverse clutch, high clutch and front sun gear) from transmission case.

# DISASSEMBLY

## Disassembly (Cont'd)



- b. Remove front bearing race from clutch pack.
- c. Remove rear bearing race or front needle bearing from clutch pack.

- d. Remove front planetary carrier from transmission case.

- e. Remove front needle bearing or front bearing race from front planetary carrier.
- f. Remove rear needle bearing from front planetary carrier.

GI

MA

EM

LC

EF &  
EC

FE

CL

MT

**AT**

PD

FA

RA

BR

ST

BF

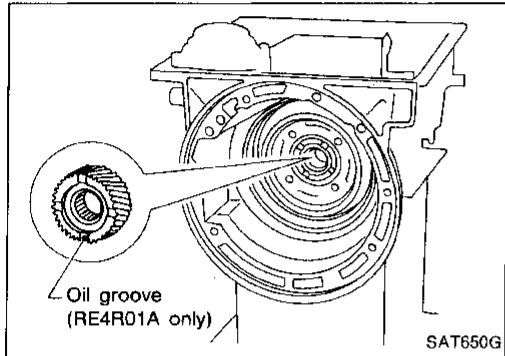
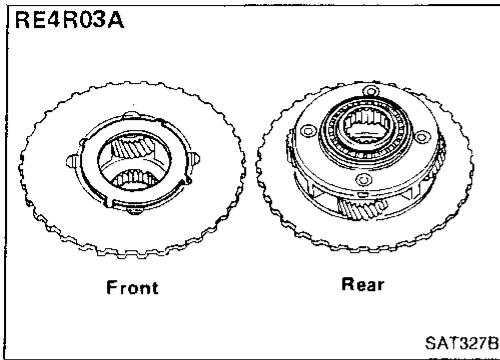
HA

EL

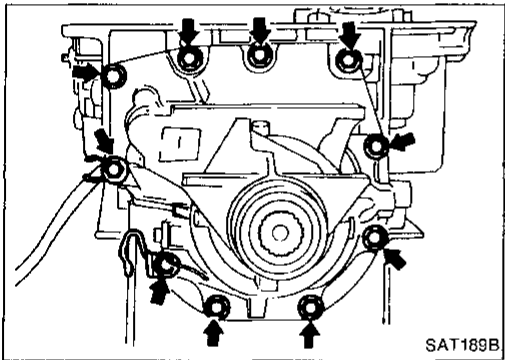
IDX

# DISASSEMBLY

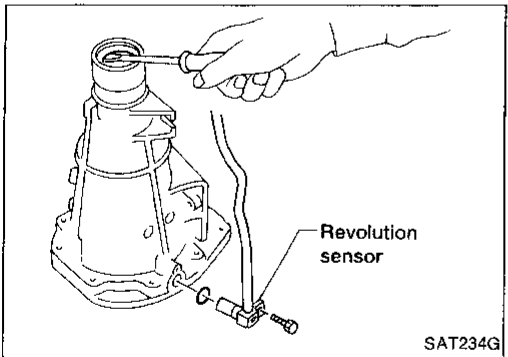
## Disassembly (Cont'd)



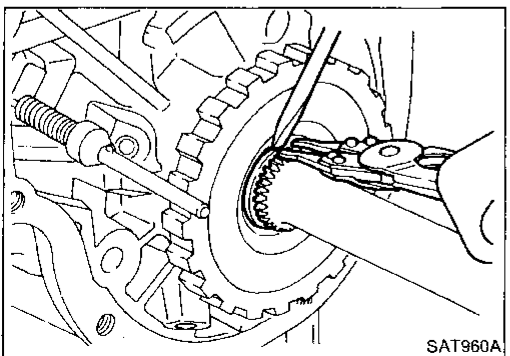
- g. Remove rear sun gear from transmission case.



17. Remove rear extension.
- a. Remove rear extension from transmission case.
- b. Remove rear extension gasket from transmission case.



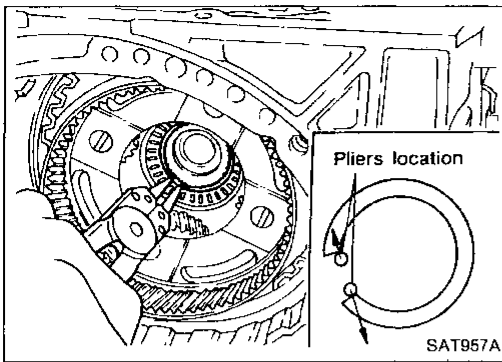
- c. Remove oil seal from rear extension.
- **Do not remove oil seal unless it is to be replaced.**
- d. Remove revolution sensor from rear extension.
- e. Remove O-ring from revolution sensor.



18. Remove output shaft and parking gear.
- a. Remove rear snap ring from output shaft.

# DISASSEMBLY

## Disassembly (Cont'd)



- b. Slowly push output shaft all the way forward.
- **Do not use excessive force.**
- c. Remove snap ring from output shaft.

GI

MA

EM

LC

EF &  
EC

FE

CL

MT

**AT**

PD

FA

RA

BR

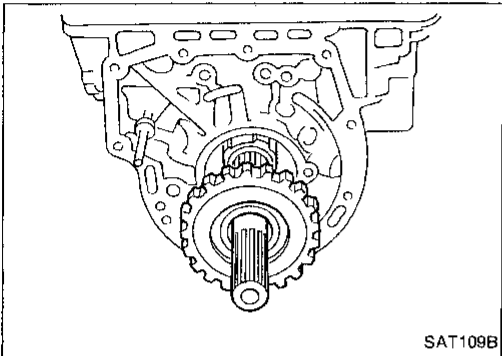
ST

BF

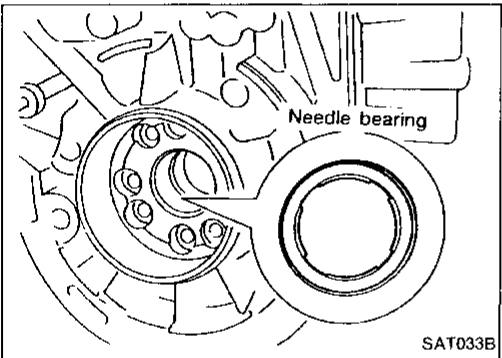
HA

EL

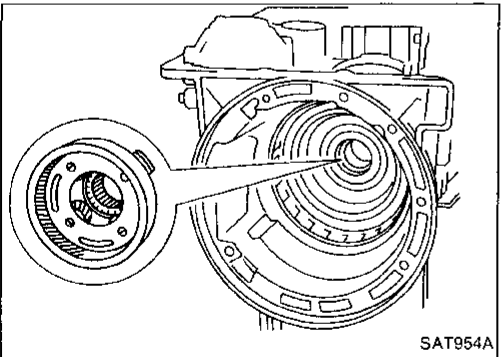
IDX



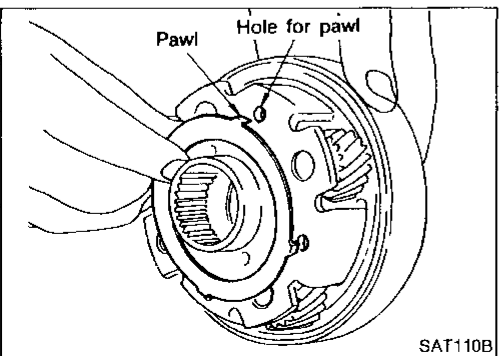
- d. Remove output shaft and parking gear as a unit from transmission case.
- e. Remove parking gear from output shaft.



- f. Remove needle bearing from transmission case.



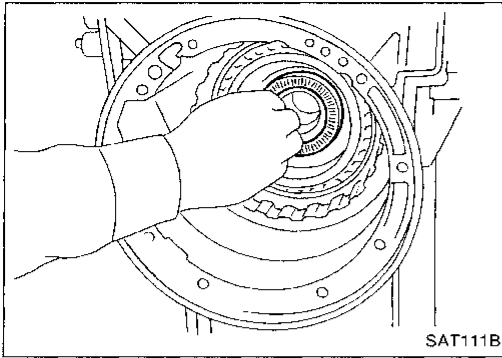
- 19. Remove rear side clutch and gear components.
- a. Remove front internal gear.



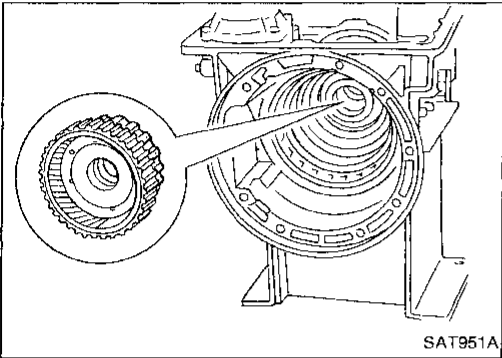
- b. Remove bearing race from front internal gear.

## DISASSEMBLY

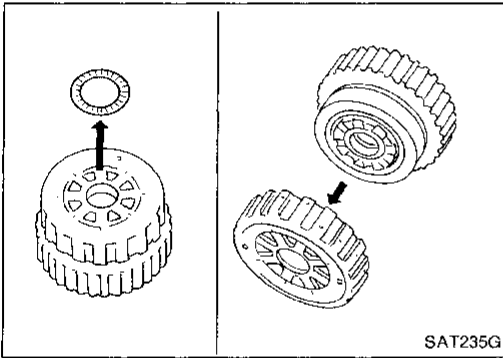
### Disassembly (Cont'd)



c. Remove needle bearing from rear internal gear.

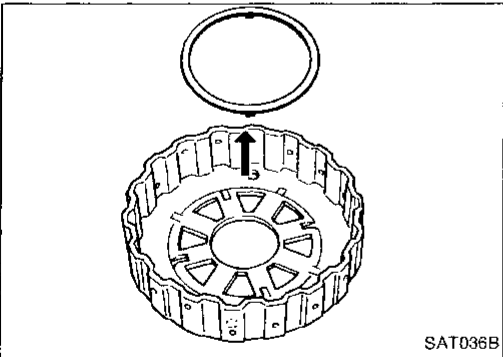


d. Remove rear internal gear, forward clutch hub and overrun clutch hub as a set from transmission case.

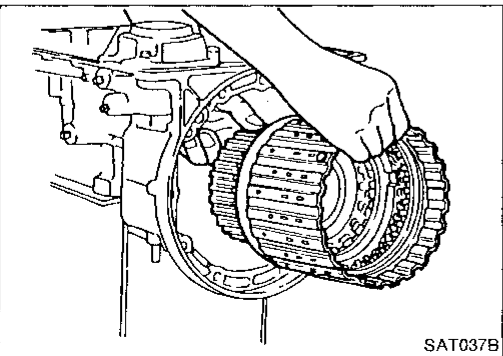


e. Remove needle bearing from overrun clutch hub.

f. Remove overrun clutch hub from rear internal gear and forward clutch hub.



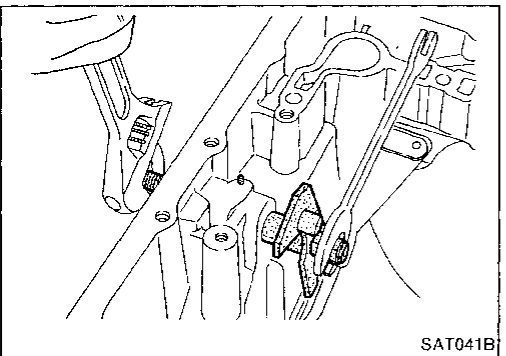
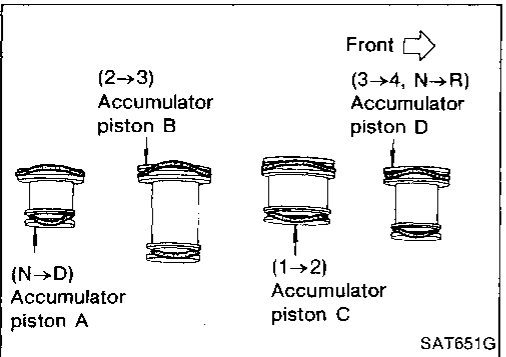
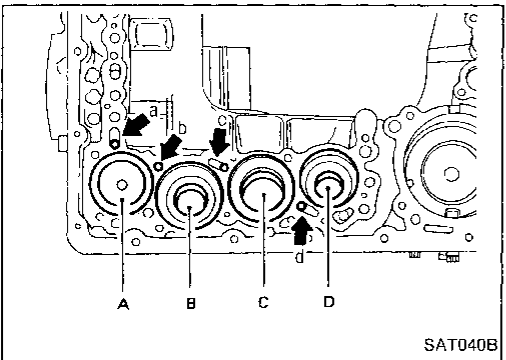
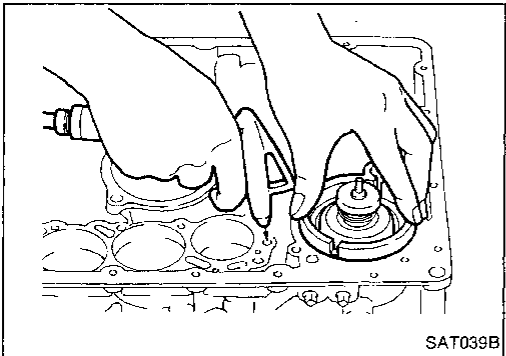
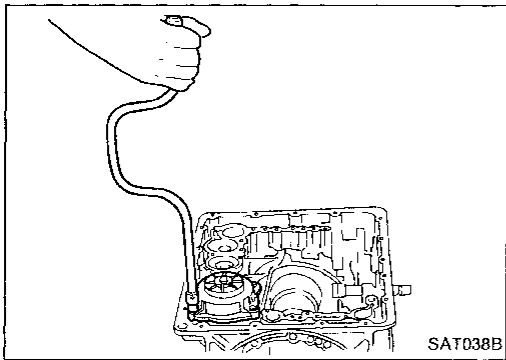
g. Remove thrust washer from overrun clutch hub.



h. Remove forward clutch assembly from transmission case.

# DISASSEMBLY

## Disassembly (Cont'd)



20. Remove band servo and accumulator components.  
 a. Remove band servo retainer from transmission case.

- b. Apply compressed air to oil hole until band servo piston comes out of transmission case.  
 ● **Hold piston with a rag and gradually direct air to oil hole.**  
 c. Remove return springs.

- d. Remove springs from accumulator pistons B, C and D.  
 e. Apply compressed air to each oil hole until piston comes out.

- **Hold piston with a rag and gradually direct air to oil hole.**

Identification of accumulator pistons	A	B	C	D
Identification of oil holes	a	b	c	d

- f. Remove O-ring from each piston.

21. Remove manual shaft components, if necessary.  
 a. Hold width across flats of manual shaft (outside the transmission case) and remove lock nut from shaft.

GI

MA

EM

LC

EF &  
EC

FE

CL

MT

AT

PD

FA

RA

BR

ST

BF

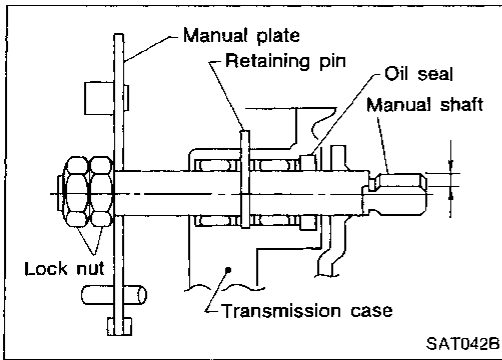
HA

EL

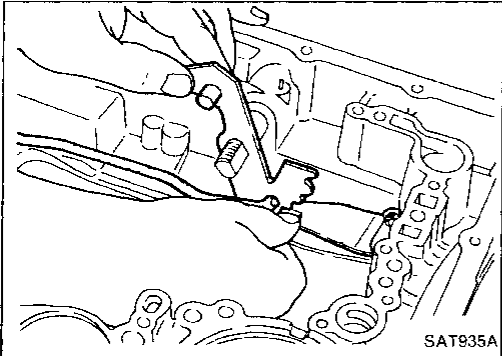
IDX

## DISASSEMBLY

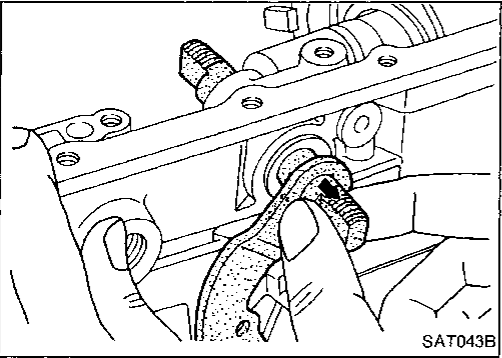
### Disassembly (Cont'd)



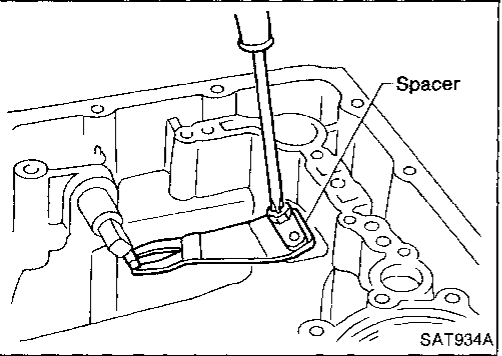
b. Remove retaining pin from transmission case.



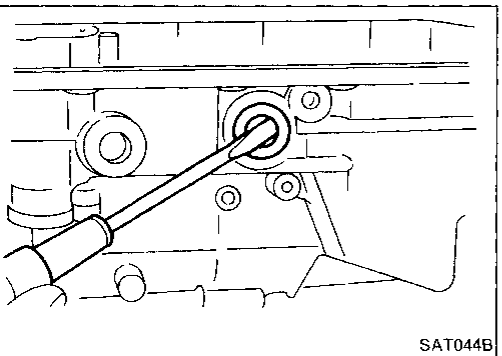
c. While pushing detent spring down, remove manual plate and parking rod from transmission case.



d. Remove manual shaft from transmission case.



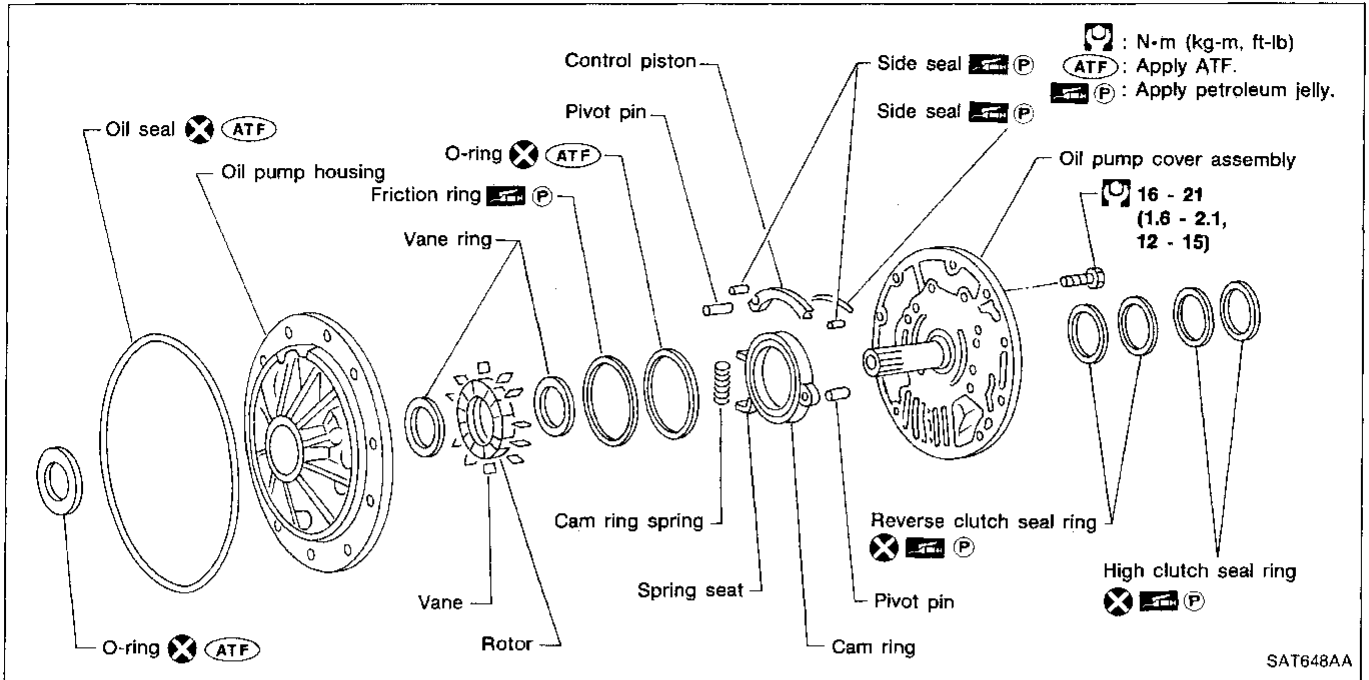
e. Remove spacer and detent spring from transmission case.



f. Remove oil seal from transmission case.



## Oil Pump



GI

WA

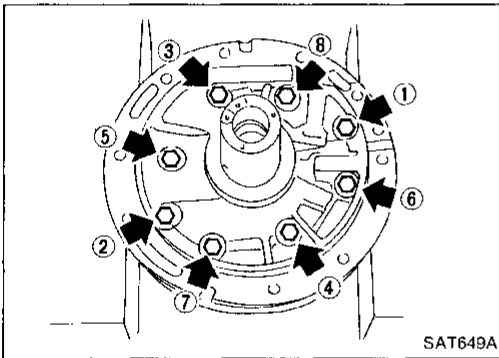
EM

LC

EF &  
EC

FE

CL



### DISASSEMBLY

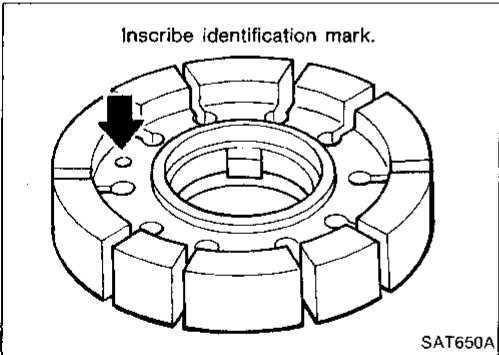
- Loosen bolts in numerical order and remove oil pump cover.

MT

AT

PD

FA



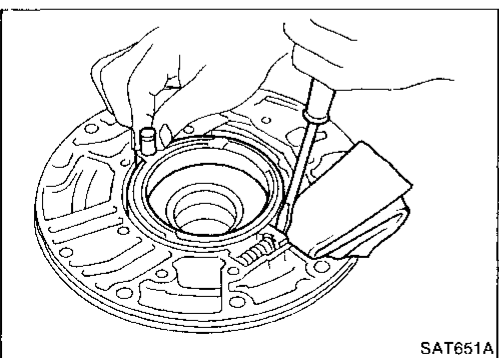
- Remove rotor, vane rings and vanes.
  - Inscribe a mark on back of rotor for identification of fore-aft direction when reassembling rotor. Then remove rotor.

RA

BR

ST

BF



- While pushing on cam ring remove pivot pin.
  - Be careful not to scratch oil pump housing.

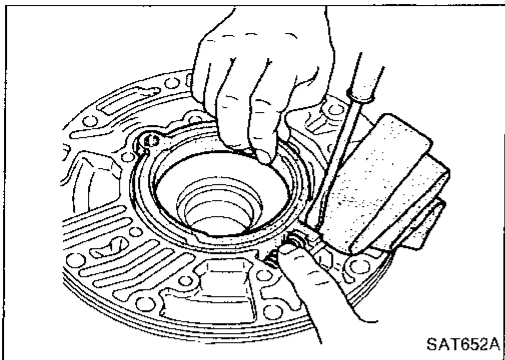
HA

EL

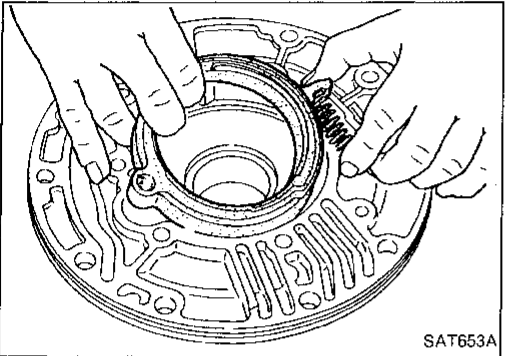
LDX

## REPAIR FOR COMPONENT PARTS

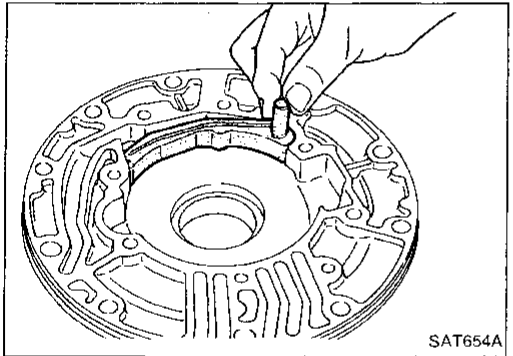
### Oil Pump (Cont'd)



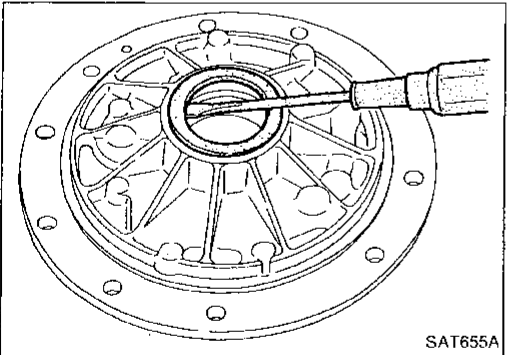
4. While holding cam ring and spring lift out cam ring spring.
  - Be careful not to damage oil pump housing.
  - Hold cam ring spring to prevent it from jumping.



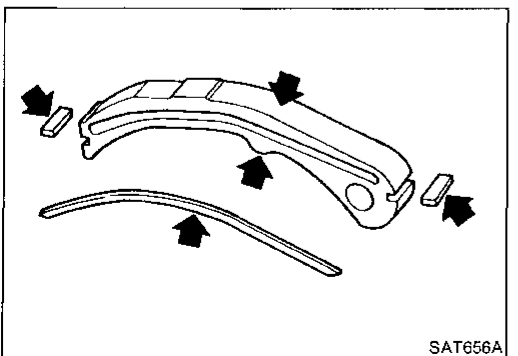
5. Remove cam ring and cam ring spring from oil pump housing.



6. Remove pivot pin from control piston and remove control piston assembly.



7. Remove oil seal from oil pump housing.
  - Be careful not to scratch oil pump housing.



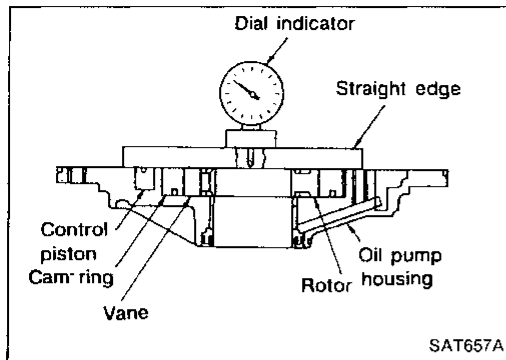
### INSPECTION

Oil pump cover, rotor, vanes, control piston, side seals, cam ring and friction ring

- Check for wear or damage.

# REPAIR FOR COMPONENT PARTS

## Oil Pump (Cont'd)



### Side clearances

- Measure side clearances between end of oil pump housing and cam ring, rotor, vanes and control piston in at least four places along their circumferences. Maximum measured values should be within specified position.
- **Before measuring side clearance, check that friction rings, O-ring, control piston side seals and cam ring spring are removed.**

**Standard clearance (Cam ring, rotor, vanes and control piston):**

**Refer to SDS, AT-189 (RE4R01A),  
AT-193 (RE4R03A).**

- If not within standard clearance, replace oil pump assembly except oil pump cover assembly.

### Seal ring clearance

- Measure clearance between seal ring and ring groove.

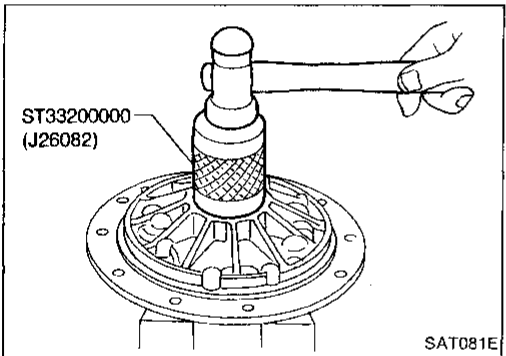
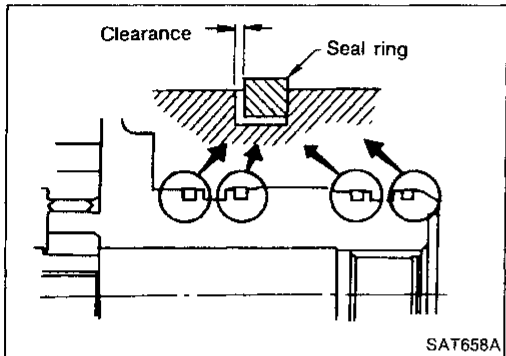
**Standard clearance:**

**0.10 - 0.25 mm (0.0039 - 0.0098 in)**

**Wear limit:**

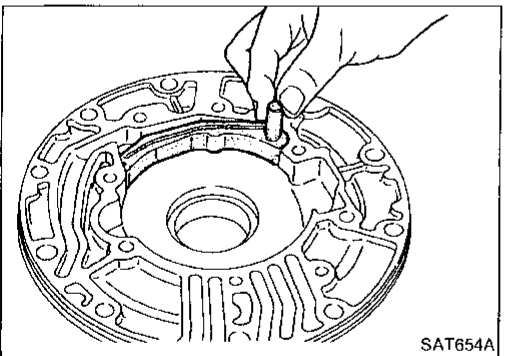
**0.25 mm (0.0098 in)**

- If not within wear limit, replace oil pump cover assembly.



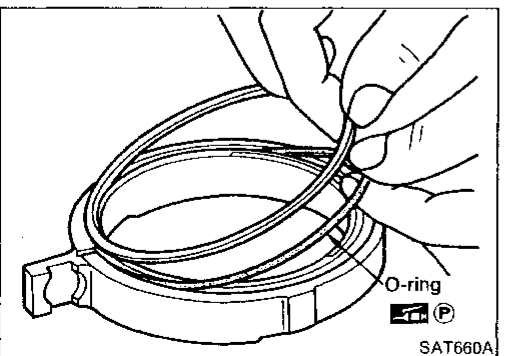
### ASSEMBLY

1. Drive oil seal into oil pump housing.
  - **Apply ATF to outer periphery and lip surface.**



2. Install cam ring in oil pump housing by the following steps.

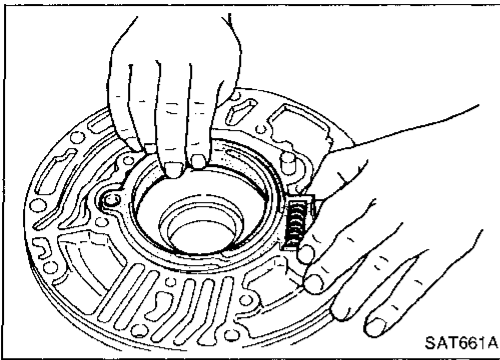
- a. Install side seal on control piston.
  - **Pay attention to its direction — Black surface goes toward control piston.**
  - **Apply petroleum jelly to side seal.**
- b. Install control piston on oil pump.



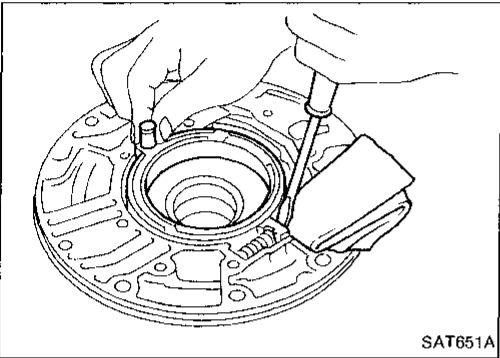
- c. Install O-ring and friction ring on cam ring.
  - **Apply petroleum jelly to O-ring.**

## REPAIR FOR COMPONENT PARTS

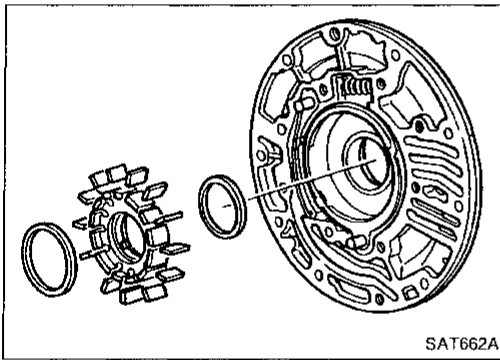
### Oil Pump (Cont'd)



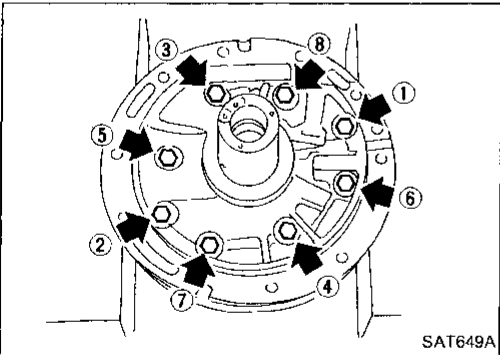
- d. Assemble cam ring, cam ring spring and spring seat. Install spring by pushing it against pump housing.



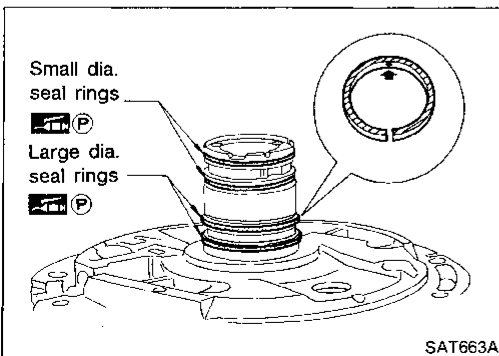
- e. While pushing on cam ring install pivot pin.



3. Install rotor, vanes and vane rings.  
 ● Pay attention to direction of rotor.

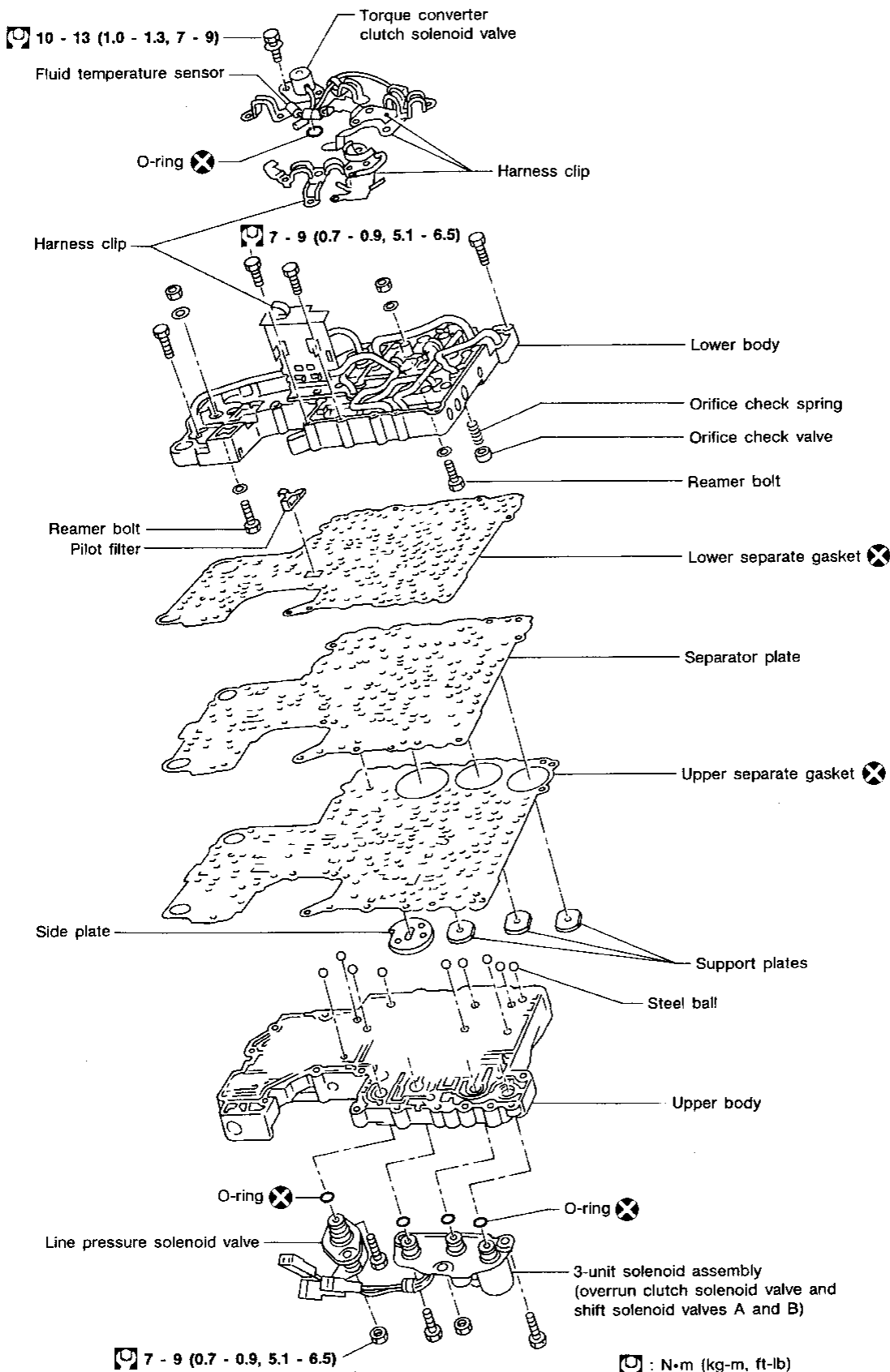


4. Install oil pump housing and oil pump cover.  
 a. Wrap masking tape around splines of oil pump cover assembly to protect seal. Position oil pump cover assembly in oil pump housing assembly, then remove masking tape.  
 b. Tighten bolts in a criss-cross pattern.



5. Install seal rings carefully after packing ring grooves with petroleum jelly. Press rings down into jelly to a close fit.  
 ● Seal rings come in two different diameters. Check fit carefully in each groove.  
     **Small dia. seal ring:**  
         No mark  
     **Large dia. seal ring:**  
         Yellow mark in area shown by arrow  
 ● Do not spread gap of seal ring excessively while installing. It may deform ring.

Control Valve Assembly



GI

MA

EM

LC

EF &  
EC

FE

CL

VT

AT

PD

FA

RA

BR

ST

BF

HA

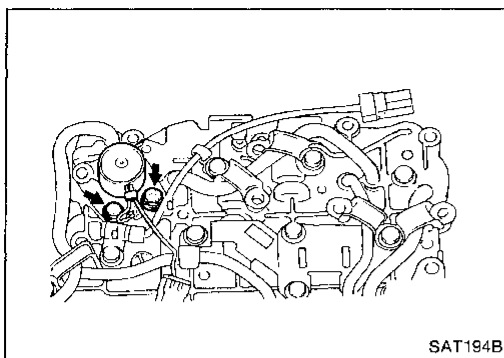
EL

IDX

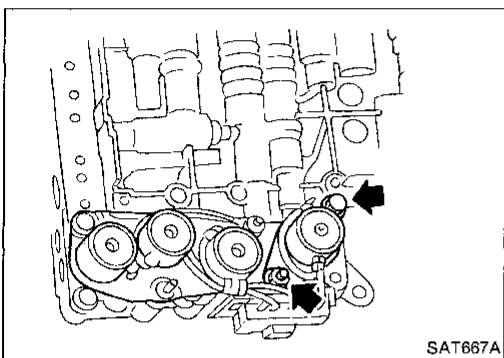
## REPAIR FOR COMPONENT PARTS

### Control Valve Assembly (Cont'd)

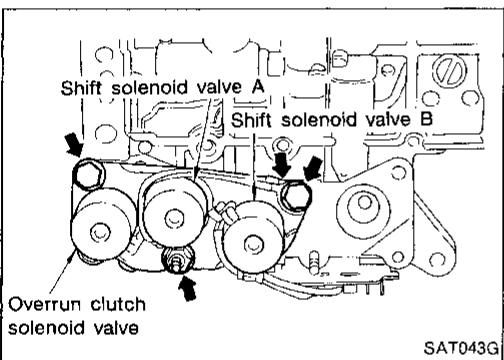
#### DISASSEMBLY



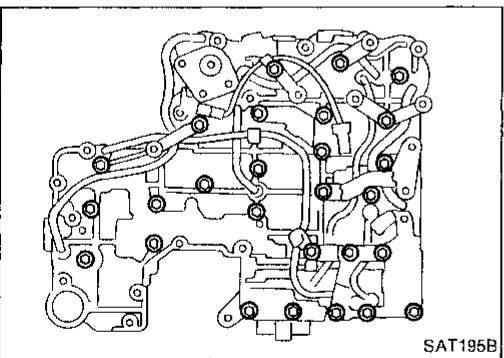
1. Remove solenoids.
  - a. Remove torque converter clutch solenoid valve and side plate from lower body.
  - b. Remove O-ring from solenoid.



- c. Remove line pressure solenoid valve from upper body.
  - d. Remove O-ring from solenoid.

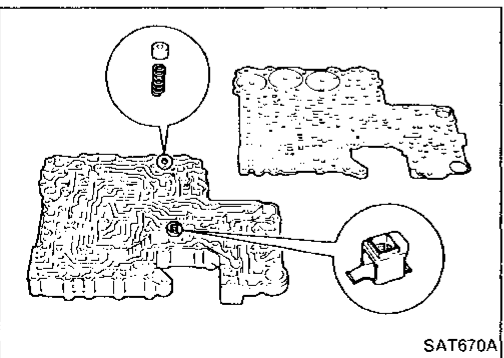


- e. Remove 3-unit solenoid assembly from upper body.
  - f. Remove O-rings from solenoids.



2. Disassemble upper and lower bodies.
  - a. Place upper body facedown, and remove bolts, reamer bolts and support plates.
  - b. Remove lower body, separator plate and separate gasket as a unit from upper body.

- **Be careful not to drop pilot filter, orifice check valve, spring and steel balls.**

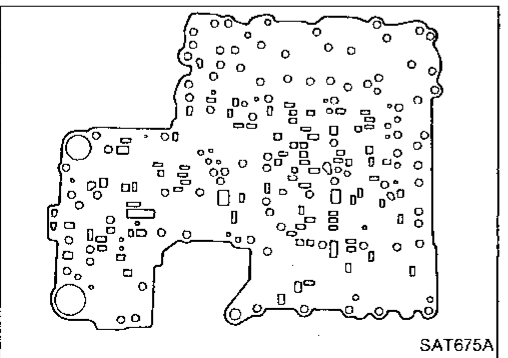
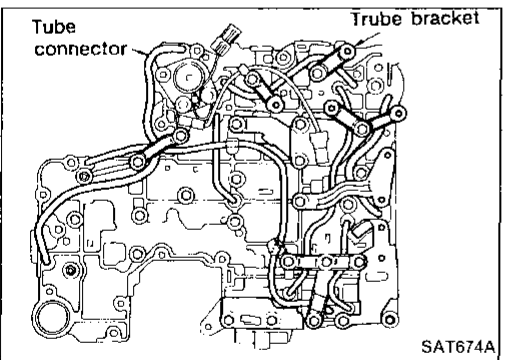
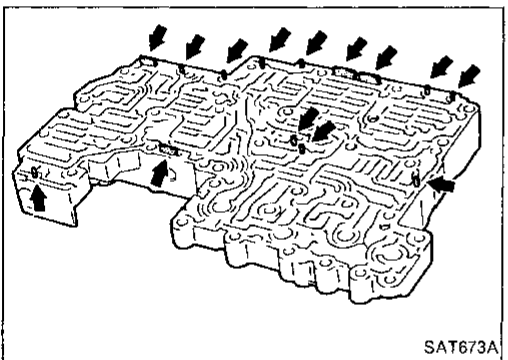
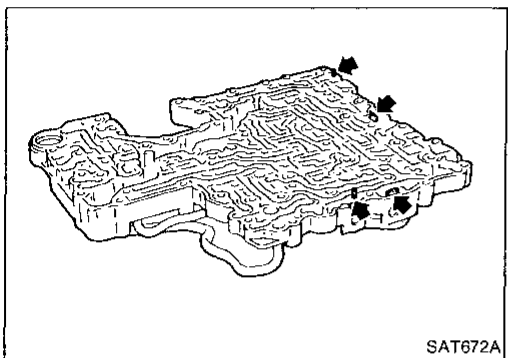
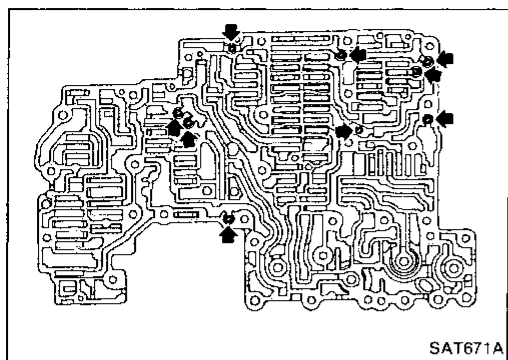


- c. Place lower body facedown, and remove separate gasket and separator plate.
  - d. Remove pilot filter, orifice check valve and orifice check spring.

# REPAIR FOR COMPONENT PARTS

## Control Valve Assembly (Cont'd)

- e. Check to see that steel balls are properly positioned in upper body and then remove them from upper body.



### INSPECTION

#### Lower and upper bodies

- Check to see that there are pins and retainer plates in lower body.

- Check to see that there are pins and retainer plates in upper body.

- **Be careful not to lose these parts.**

- Check to make sure that oil circuits are clean and free from damage.

- Check tube brackets and tube connectors for damage.

#### Separator plates

- Check to make sure that separator plate is free of damage and not deformed and oil holes are clean.

GI

MA

EM

LC

EF &  
EC

FE

CL

MT

AT

PD

FA

RA

BR

ST

BF

HA

EL

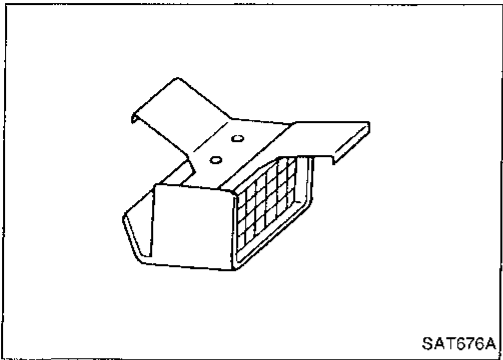
DX

## REPAIR FOR COMPONENT PARTS

### Control Valve Assembly (Cont'd)

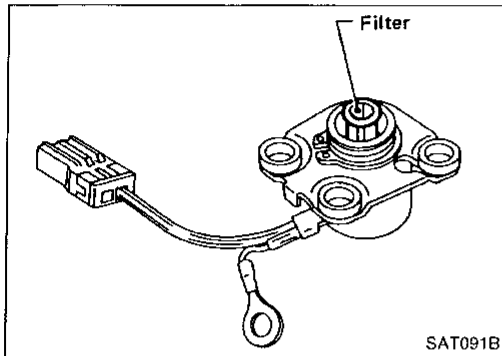
#### Pilot filter

- Check to make sure that filter is not clogged or damaged.



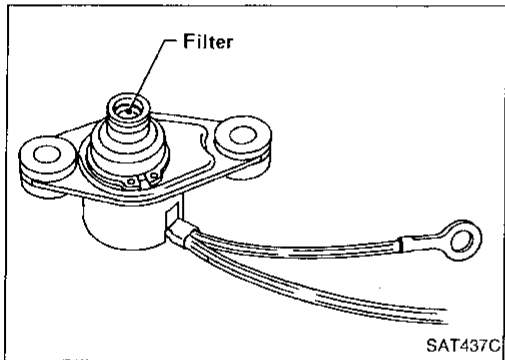
#### Torque converter clutch solenoid valve

- Check that filter is not clogged or damaged.
- Measure resistance. — Refer to "Electrical Components Inspection", AT-79.



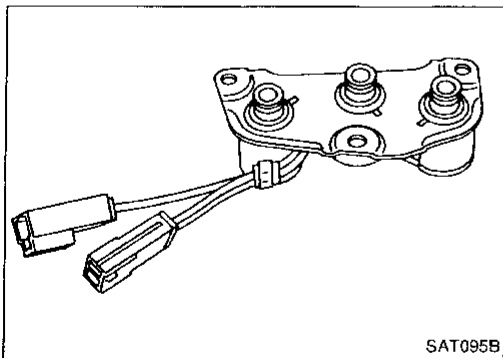
#### Line pressure solenoid valve

- Check that filter is not clogged or damaged.
- Measure resistance. — Refer to "Electrical Components Inspection", AT-79.



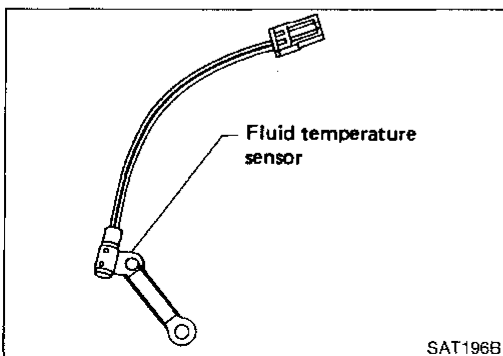
#### 3-unit solenoid assembly (Overrun clutch solenoid valve and shift solenoid valves A and B)

- Measure resistance of each solenoid. — Refer to "Electrical Components Inspection", AT-79.



#### Fluid temperature sensor

- Measure resistance. — Refer to "Electrical Components Inspection", AT-79.



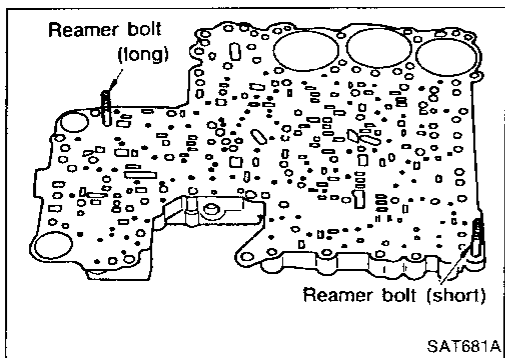
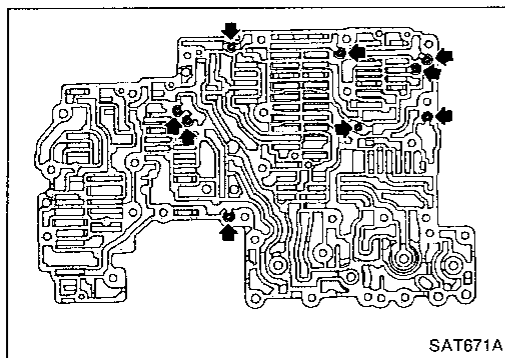


# REPAIR FOR COMPONENT PARTS

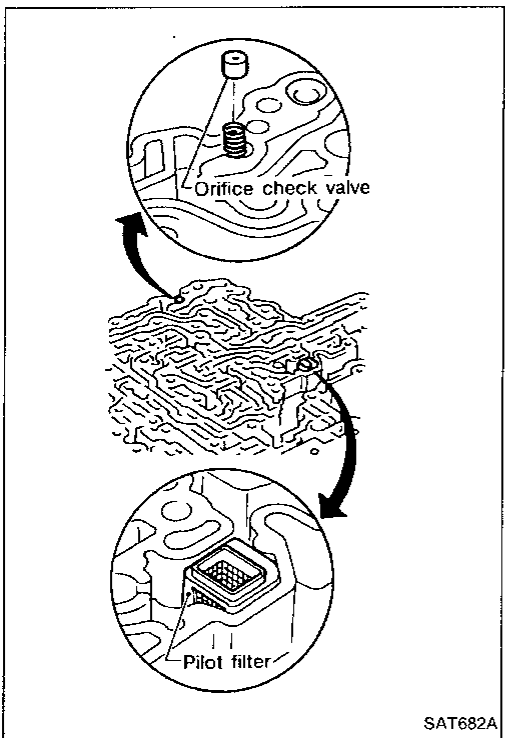
## Control Valve Assembly (Cont'd)

### ASSEMBLY

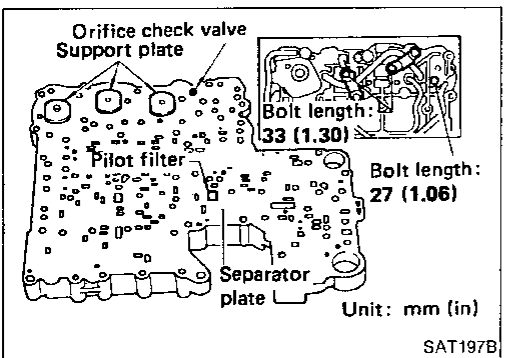
1. Install upper and lower bodies.
  - a. Place oil circuit of upper body face up. Install steel balls in their proper positions.



- b. Install reamer bolts from bottom of upper body and install separate gaskets.



- c. Place oil circuit of lower body face up. Install orifice check spring, orifice check valve and pilot filter.



- d. Install lower separate gaskets and separator plates on lower body.
  - e. Install and temporarily tighten support plates, fluid temperature sensor and tube brackets.

GI

MA

EM

LC

EF &  
EC

FE

CL

MT

AT

PD

FA

RA

BR

ST

BF

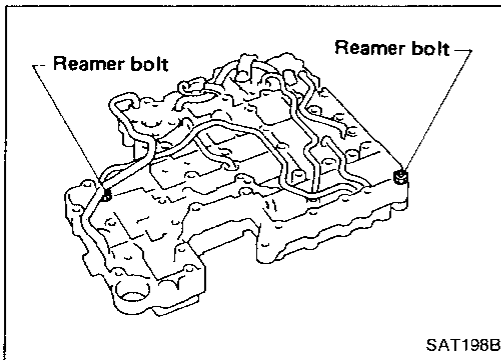
HA

EL

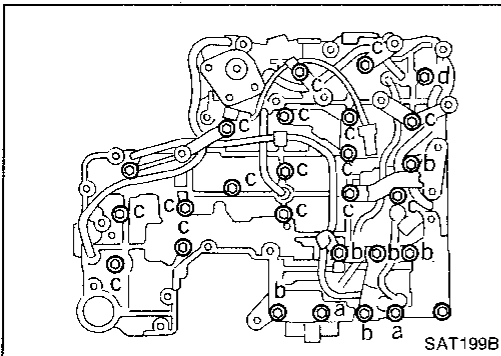
IDX

## REPAIR FOR COMPONENT PARTS

### Control Valve Assembly (Cont'd)



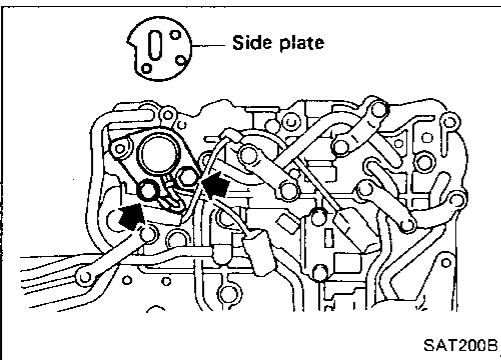
- f. Temporarily assemble lower and upper bodies, using reamer bolt as a guide.
- Be careful not to dislocate or drop steel balls, orifice check spring, orifice check valve and pilot filter.



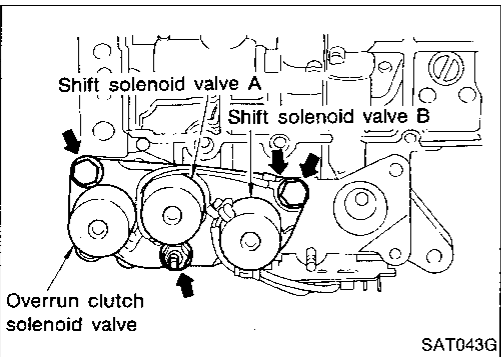
- g. Install and temporarily tighten bolts and tube brackets in their proper locations.

#### Bolt length and location:

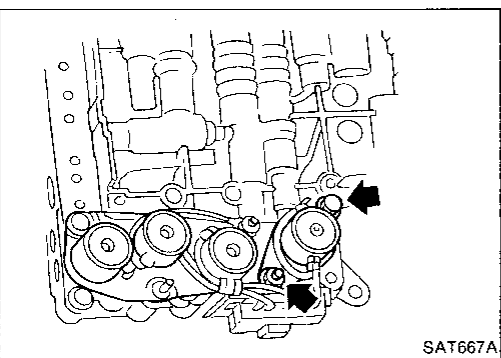
Bolt symbol	a	b	c	d
Bolt length	70 (2.76)	50 (1.97)	33 (1.30)	27 (1.06)



2. Install solenoids.
- a. Attach O-ring and install torque converter clutch solenoid valve and side plates onto lower body.

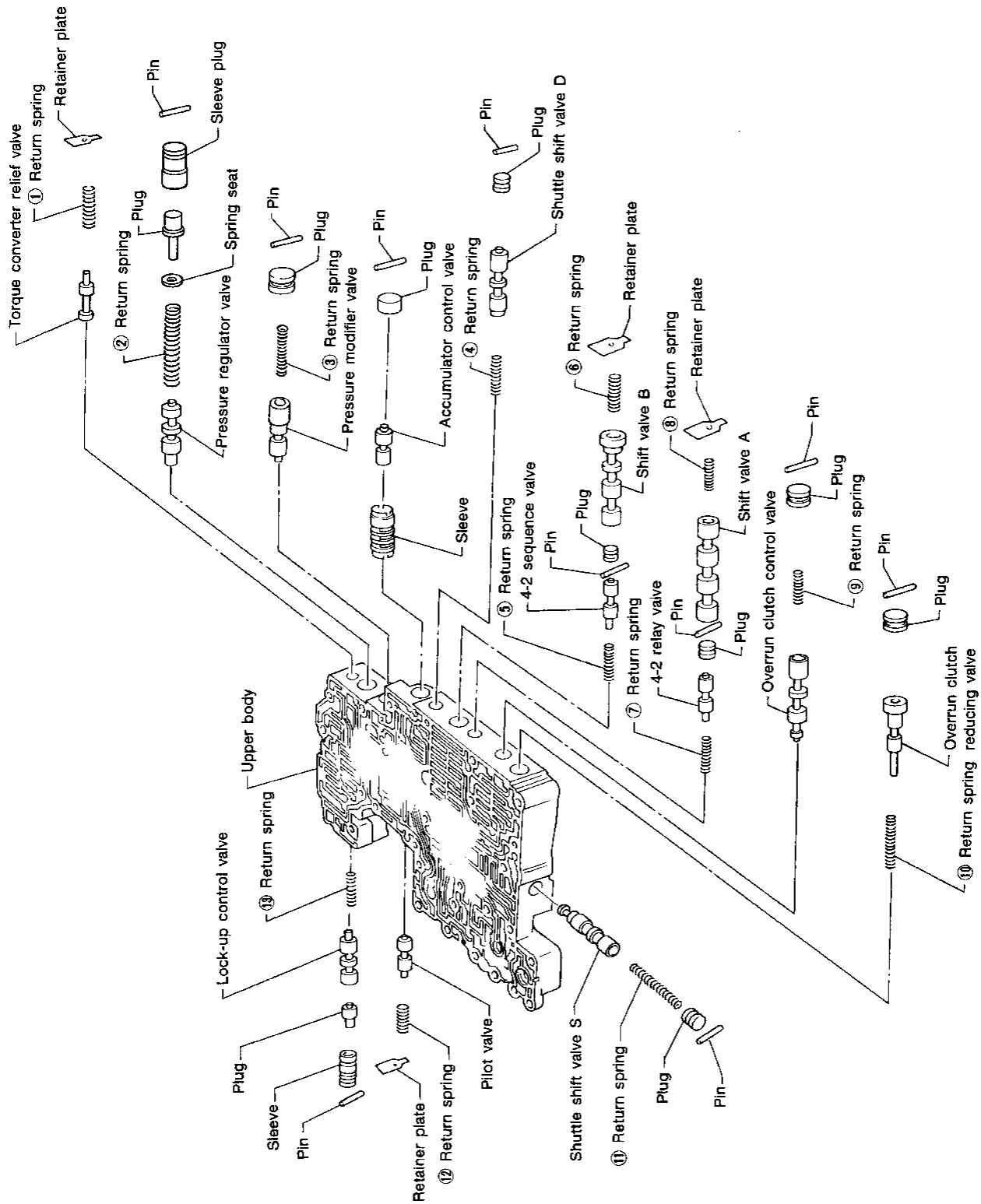


- b. Attach O-rings and install 3-unit solenoids assembly onto upper body.



- c. Attach O-ring and install line pressure solenoid valve onto upper body.
3. Tighten all bolts.

Control Valve Upper Body



Apply ATF to all components before their installation.

Numbers preceding valve springs correspond with those shown in Spring Chart on page AT-134.

- GI
- MA
- EM
- LC
- EF & EC
- FE
- CL
- MT
- AT**
- PD
- FA
- RA
- BR
- ST
- BF
- HA
- EL
- IDX

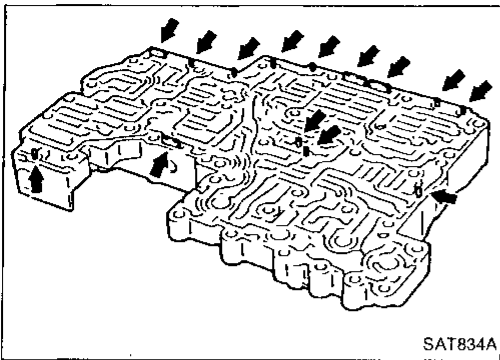
## REPAIR FOR COMPONENT PARTS

### Control Valve Upper Body (Cont'd)

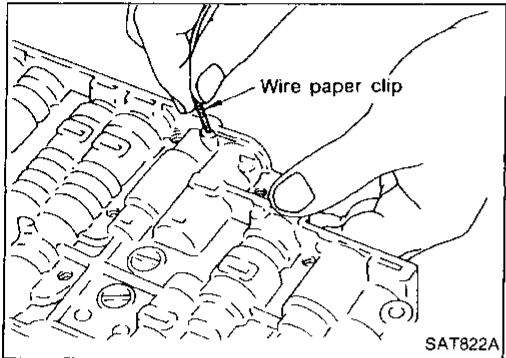
#### DISASSEMBLY

1. Remove valves at parallel pins.

- Do not use a magnetic hand.

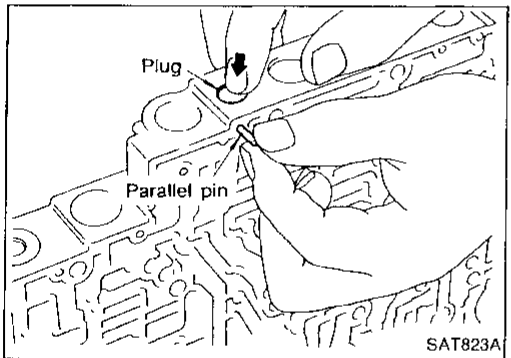


a. Use a wire paper clip to push out parallel pins.



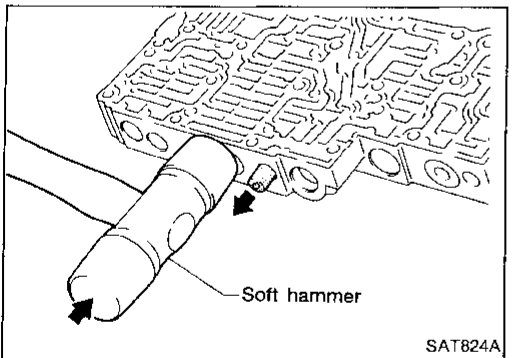
b. Remove parallel pins while pressing their corresponding plugs and sleeves.

- Remove plug slowly to prevent internal parts from jumping out.



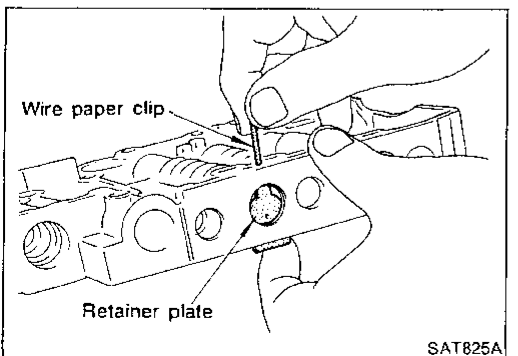
c. Place mating surface of valve facedown, and remove internal parts.

- If a valve is hard to remove, place valve body facedown and lightly tap it with a soft hammer.
- Be careful not to drop or damage valves and sleeves.



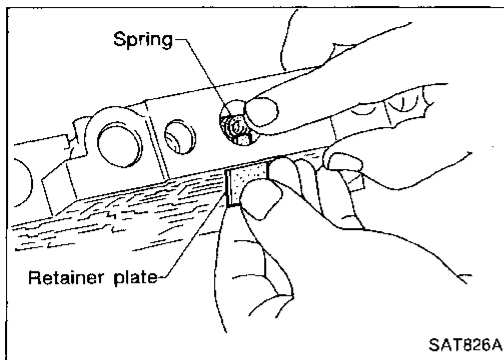
2. Remove valves at retainer plates.

a. Pry out retainer plate with wire paper clip.

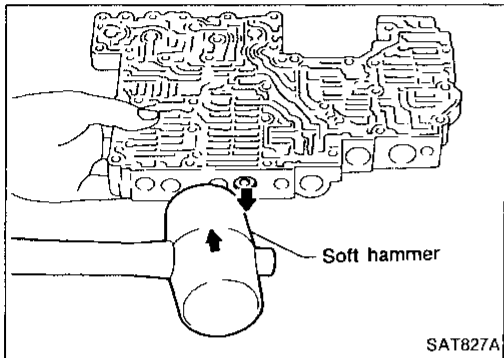


## REPAIR FOR COMPONENT PARTS

### Control Valve Upper Body (Cont'd)

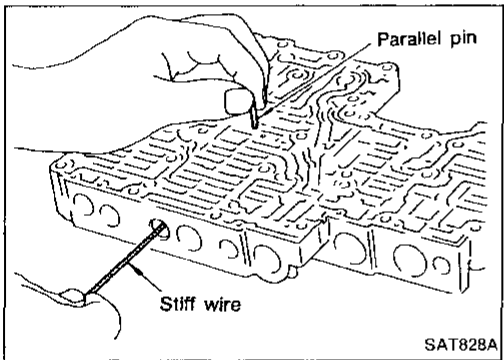


b. Remove retainer plates while holding spring.



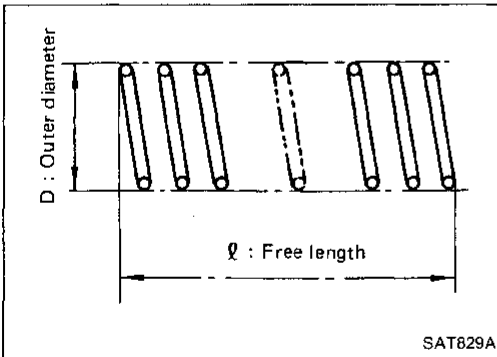
c. Place mating surface of valve facedown, and remove internal parts.

- If a valve is hard to remove, lightly tap valve body with a soft hammer.
- Be careful not to drop or damage valves, sleeves, etc.



● 4-2 sequence valve and relay valve are located far back in upper body. If they are hard to remove, carefully push them out using stiff wire.

- Be careful not to scratch sliding surface of valve with wire.



### INSPECTION

#### Valve springs

- Measure free length and outer diameter of each valve spring. Also check for damage or deformation.
- Numbers of each valve spring listed in table below are the same as those in the figure on AT-131.

GI

MA

EM

LC

EF &  
EC

FE

CL

MT

AT

PD

FA

RA

BR

ST

BF

HA

EL

IDX

## REPAIR FOR COMPONENT PARTS

### Control Valve Upper Body (Cont'd)

#### Inspection standard

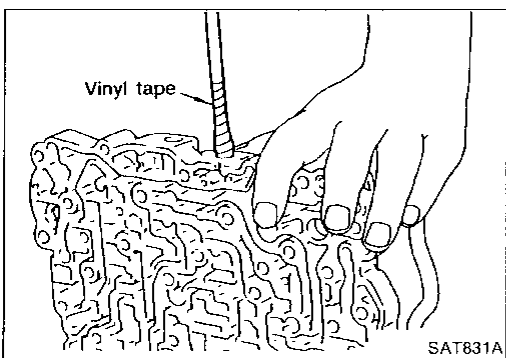
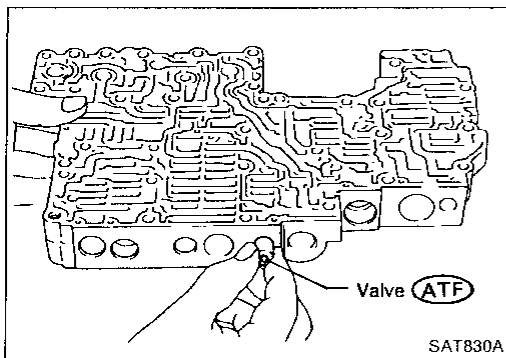
Unit: mm (in)

	Parts	Part No.	ℓ	D
①	Torque converter relief valve spring	31742-41X23	38.0 (1.496)	9.0 (0.354)
②	Pressure regulator valve spring	31742-41X24	44.02 (1.7331)	14.0 (0.551)
③	Pressure modifier valve spring	31742-41X19	31.95 (1.2579)	6.8 (0.268)
④	Shuttle shift valve D spring	31762-41X00	26.5 (1.043)	6.0 (0.236)
⑤	4-2 sequence valve spring	31756-41X00	29.1 (1.146)	6.95 (0.2736)
⑥	Shift valve B spring	31762-41X01	25.0 (0.984)	7.0 (0.276)
⑦	4-2 relay valve spring	31756-41X00	29.1 (1.146)	6.95 (0.2736)
⑧	Shift valve A spring	31762-41X01	25.0 (0.984)	7.0 (0.276)
⑨	Overrun clutch control valve spring	31762-41X03	23.6 (0.929)	7.0 (0.276)
⑩	Overrun clutch reducing valve spring	31742-41X20	32.5 (1.280)	7.0 (0.276)
⑪	Shuttle shift valve S spring	31762-41X04	51.0 (2.008)	5.65 (0.2224)
⑫	Pilot valve spring	31742-41X13	25.7 (1.012)	9.1 (0.358)
⑬	Lock-up control valve spring	31742-41X22	18.5 (0.728)	13.0 (0.512)

- Replace valve springs if deformed or fatigued.

#### Control valves

- Check sliding surfaces of valves, sleeves and plugs.



#### ASSEMBLY

1. Lubricate the control valve body and all valves with ATF. Install control valves by sliding them carefully into their bores.

- **Be careful not to scratch or damage valve body.**

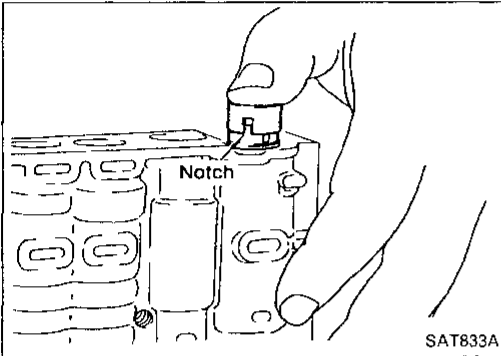
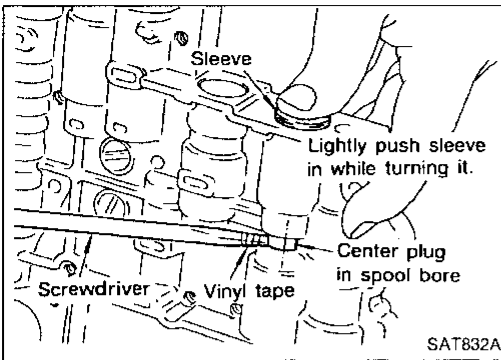
- Wrap a small screwdriver with vinyl tape and use it to insert the valves into proper position.

# REPAIR FOR COMPONENT PARTS

## Control Valve Upper Body (Cont'd)

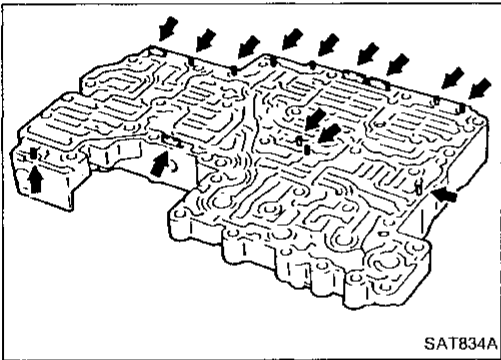
### Pressure regulator valve

- If pressure regulator plug is not centered properly, sleeve cannot be inserted into bore in upper body. If this happens, use vinyl tape wrapped screwdriver to center sleeve until it can be inserted.
- Turn sleeve slightly while installing.

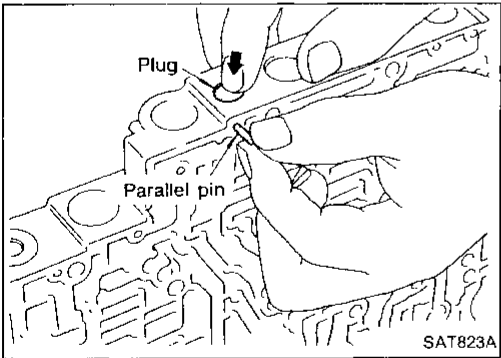


### Accumulator control plug

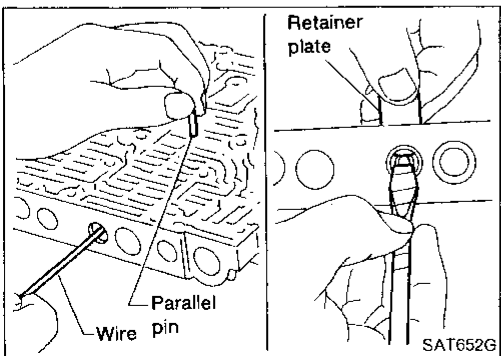
- Align protrusion of accumulator control sleeve with notch in plug.
- Align parallel pin groove in plug with parallel pin, and install accumulator control valve.



2. Install parallel pins and retainer plates.



- While pushing plug, install parallel pin.



### 4-2 sequence valve and relay valve

- Push 4-2 sequence valve and relay valve with wire wrapped in vinyl tape to prevent scratching valve body. Install parallel pins.
- Insert retainer plate while pushing spring.

GI

MA

EM

LC

EF &  
EC

FE

CL

MT

**AT**

PD

FA

RA

BR

ST

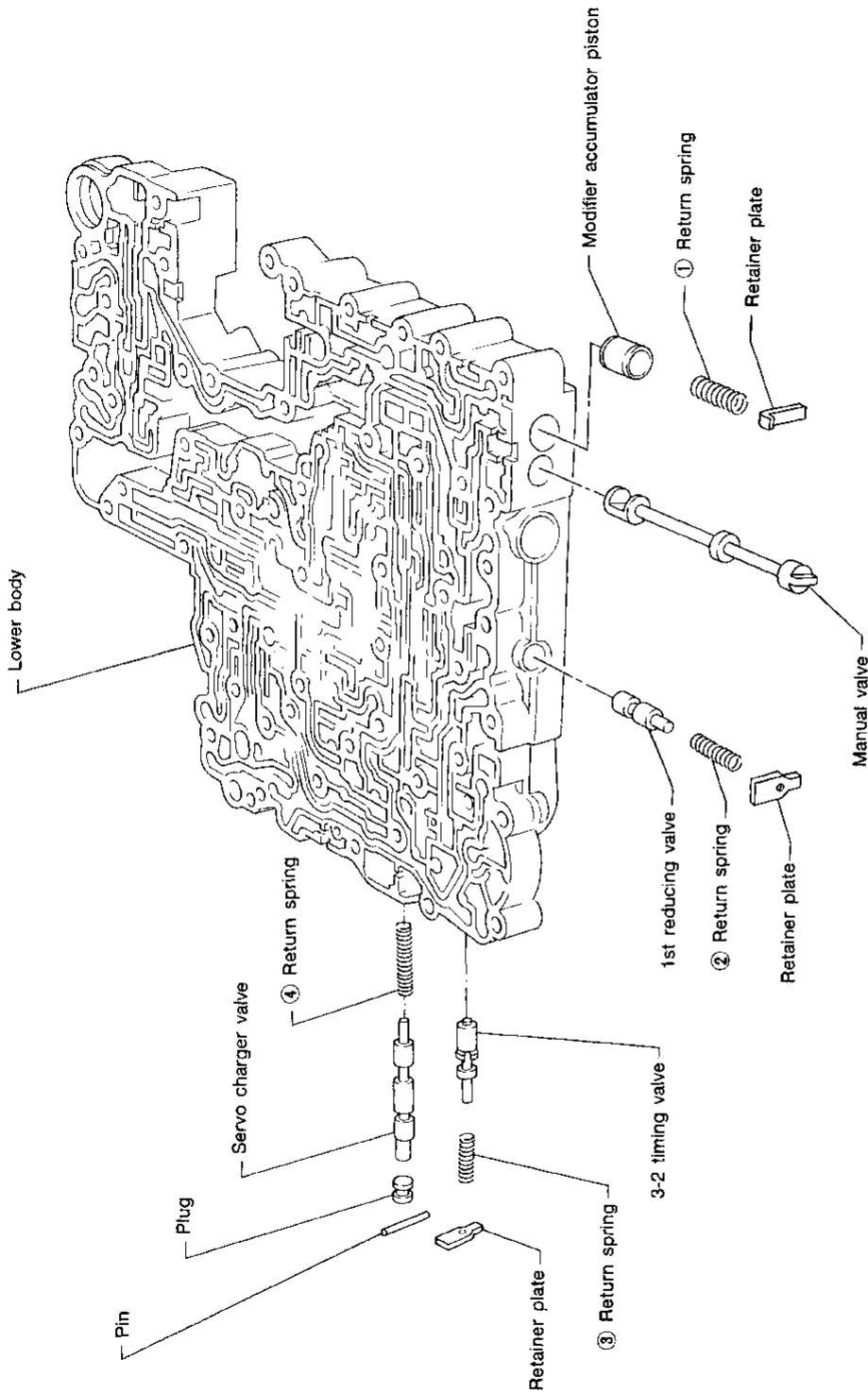
BF

HA

EL

IDX

Control Valve Lower Body



Apply ATF to all components before their installation.

Numbers preceding valve springs correspond with those shown in Spring Chart on the next page.



# REPAIR FOR COMPONENT PARTS

## Control Valve Lower Body (Cont'd)

### DISASSEMBLY

1. Remove valves at parallel pins.
2. Remove valves at retainer plates.

For removal procedures, refer to "DISASSEMBLY" of Control Valve Upper Body, AT-132.

GI

MA

EM

LC

EF &  
EC

FE

CL

WT

AT

PD

FA

RA

BR

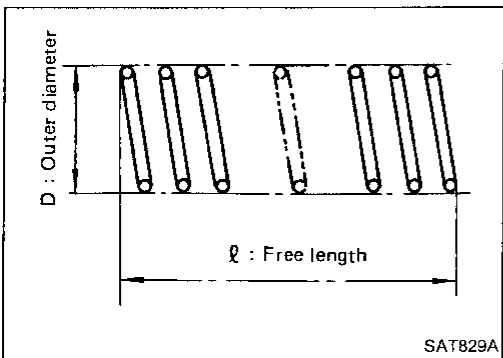
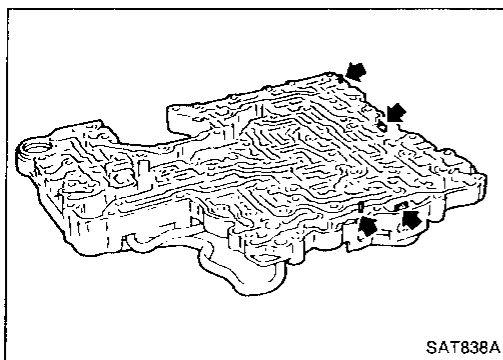
ST

BF

HA

EL

IDX



### INSPECTION

#### Valve springs

- Check each valve spring for damage or deformation. Also measure free length and outer diameter.
- Numbers of each valve spring listed in table below are the same as those in the figure on AT-136.

#### Inspection standard:

Unit: mm (in)

	Parts	Part No.	ℓ	D
①	Modifier accumulator piston spring	31742-27X70	31.4 (1.236)	9.8 (0.386)
②	1st reducing valve spring	31756-41X05	25.4 (1.000)	6.75 (0.2657)
③	3-2 timing valve spring	31742-41X08	20.55 (0.8091)	6.75 (0.2657)
④	Servo charger valve spring	31742-41X06	23.0 (0.906)	6.7 (0.264)

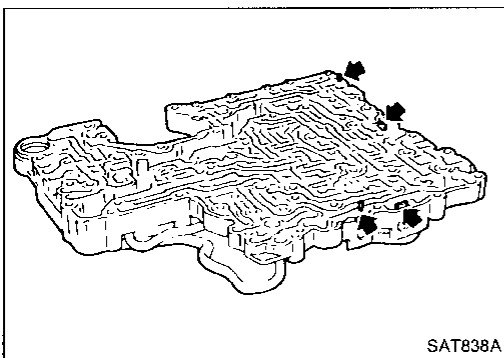
- Replace valve springs if deformed or fatigued.

#### Control valves

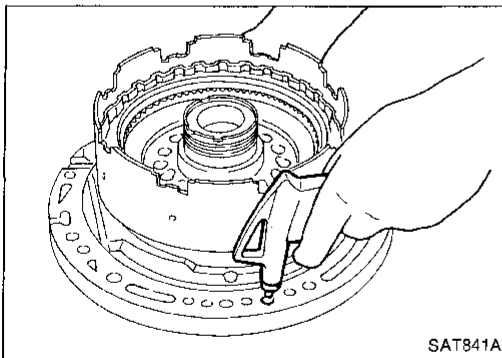
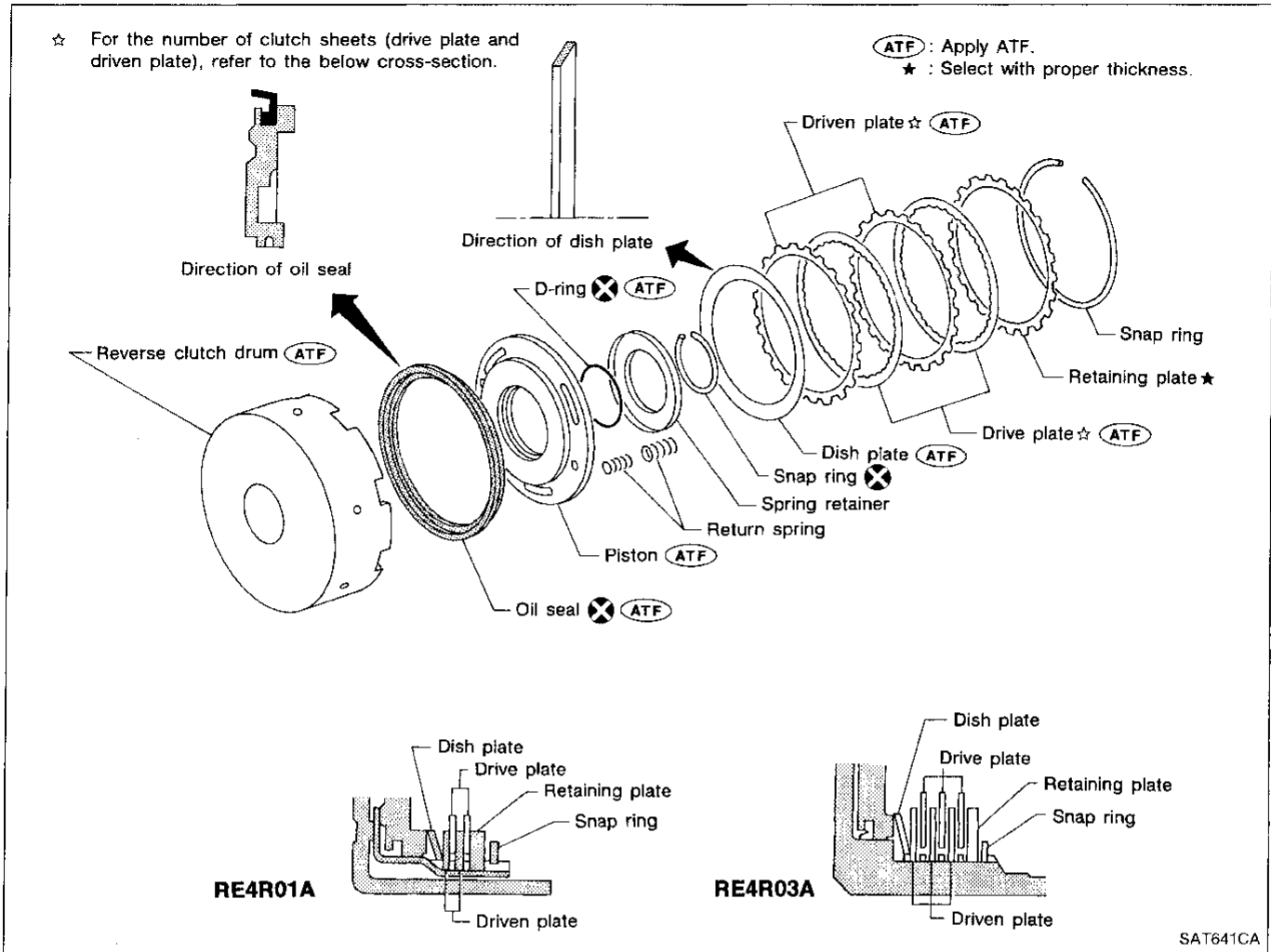
- Check sliding surfaces of control valves, sleeves and plugs for damage.

### ASSEMBLY

- Install control valves.  
For installation procedures, refer to "ASSEMBLY" of Control Valve Upper Body, AT-134.

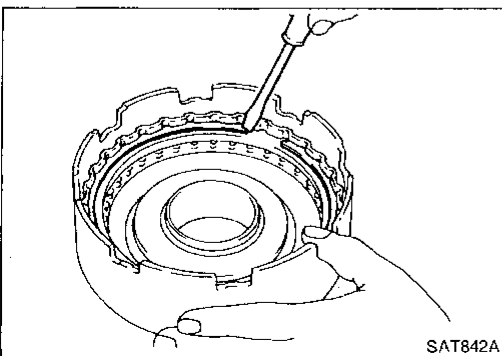


## Reverse Clutch



### DISASSEMBLY

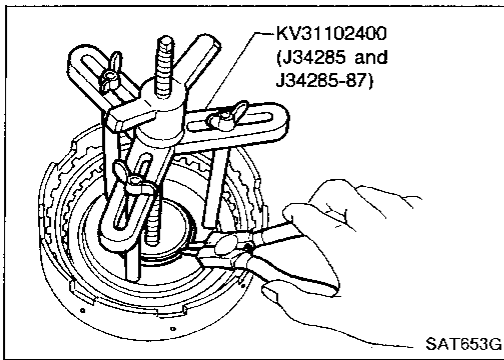
1. Check operation of reverse clutch.
  - a. Install seal ring onto oil pump cover and install reverse clutch. Apply compressed air to oil hole.
  - b. Check to see that retaining plate moves to snap ring.
  - c. If retaining plate does not move to snap ring, D-ring or oil seal may be damaged or fluid may be leaking at piston check ball.



2. Remove drive plates, driven plates, retaining plate, dish plate and snap ring.

# REPAIR FOR COMPONENT PARTS

## Reverse Clutch (Cont'd)



3. Remove snap ring from clutch drum while compressing clutch springs.
  - **Do not expand snap ring excessively.**
4. Remove spring retainer and return spring.

GI

MA

EM

LC

EF &  
EC

FE

CL

MT

AT

PD

FA

RA

BR

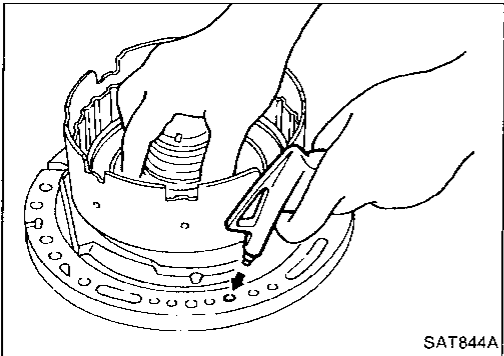
ST

BF

HA

EL

IDX



5. Install seal ring onto oil pump cover and install reverse clutch drum. While holding piston, gradually apply compressed air to oil hole until piston is removed.
  - **Do not apply compressed air abruptly.**
6. Remove D-ring and oil seal from piston.

## INSPECTION

### Reverse clutch snap ring and spring retainer

- Check for deformation, fatigue or damage.

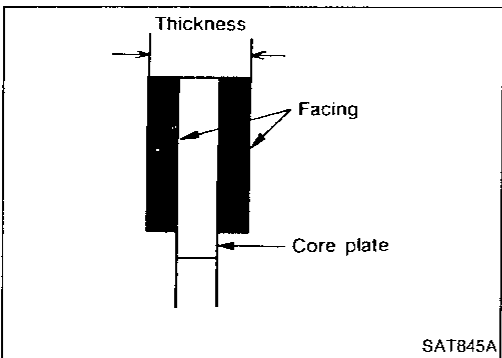
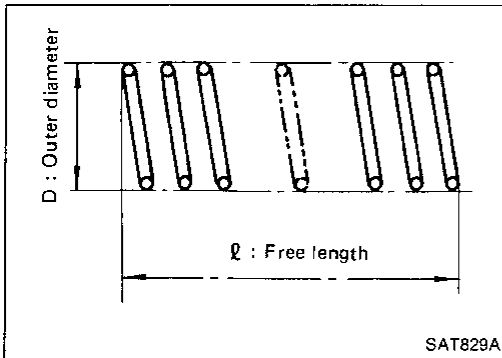
### Reverse clutch return springs

- Check for deformation or damage. Also measure free length and outside diameter.

#### Inspection standard:

Unit: mm (in)

Model	Part No.	ℓ	D
RE4R01A	31505-41X02	19.69 (0.7752)	11.6 (0.457)
RE4R03A	31505-51X00	37.8 (1.488)	14.8 (0.583)



### Reverse clutch drive plates

- Check facing for burns, cracks or damage.
- Measure thickness of facing.

#### Thickness of drive plate:

**Standard value: 2.0 mm (0.079 in)**

**Wear limit: 1.8 mm (0.071 in)**

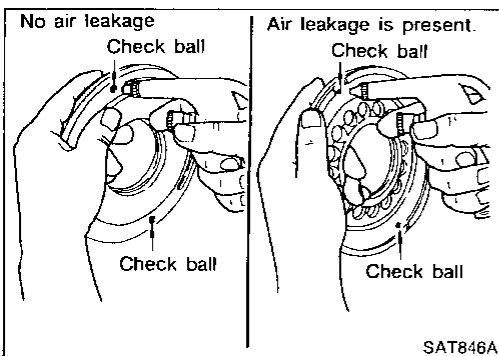
- If not within wear limit, replace.

### Reverse clutch dish plate

- Check for deformation or damage.

### Reverse clutch piston

- Shake piston to assure that balls are not seized.
- Apply compressed air to check ball oil hole opposite the return spring to assure that there is no air leakage.
- Also apply compressed air to oil hole on return spring side to assure that air leaks past ball.

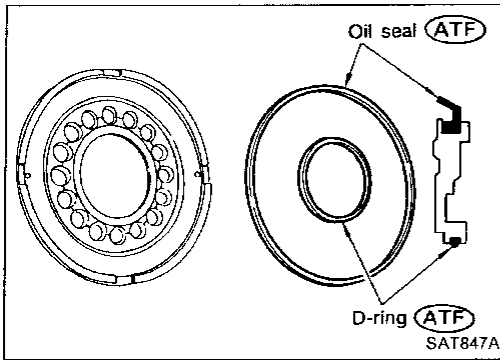


## REPAIR FOR COMPONENT PARTS

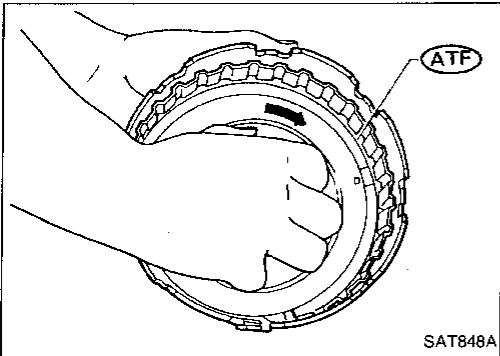
### Reverse Clutch (Cont'd)

#### ASSEMBLY

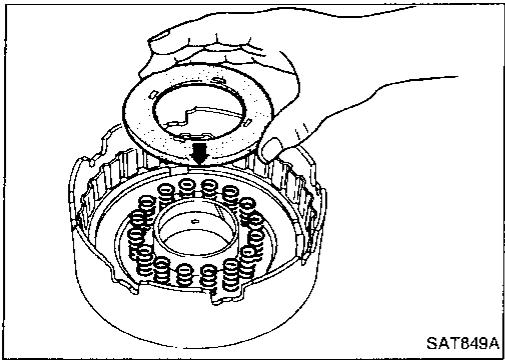
1. Install D-ring and oil seal on piston.
  - Apply ATF to both parts.



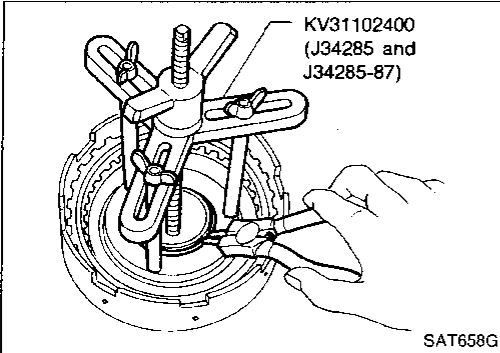
2. Install piston assembly by turning it slowly and evenly.
  - Apply ATF to inner surface of drum.



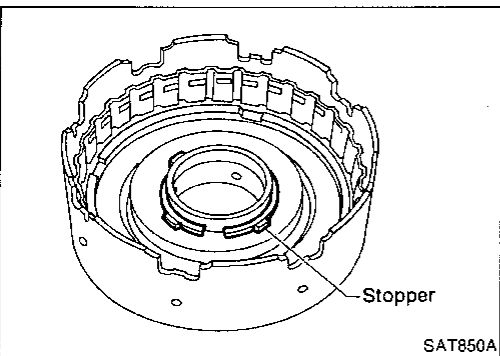
3. Install return springs and spring retainer.



4. Install snap ring while compressing clutch springs.

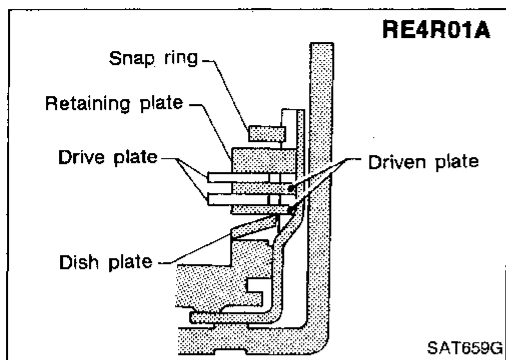


- Do not align snap ring gap with spring retainer stopper.



# REPAIR FOR COMPONENT PARTS

## Reverse Clutch (Cont'd)



5. Install drive plates, driven plates, retaining plate and dish plate.

GI

MA

EM

LC

EF &  
EC

FE

CL

WT

**AT**

PD

FA

RA

BR

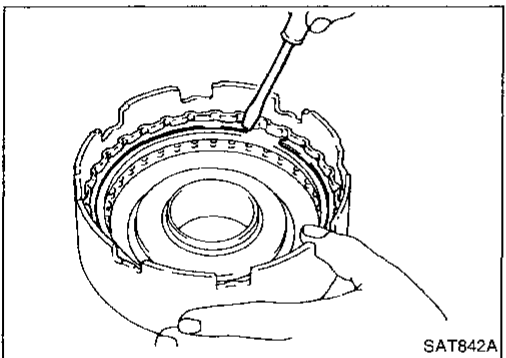
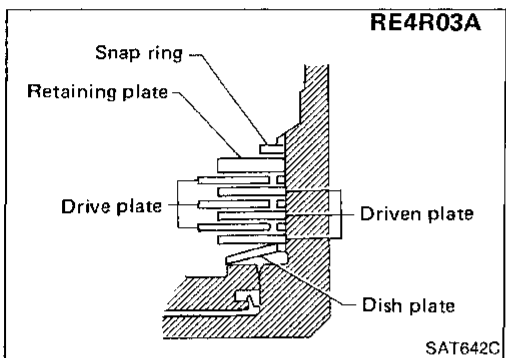
ST

BF

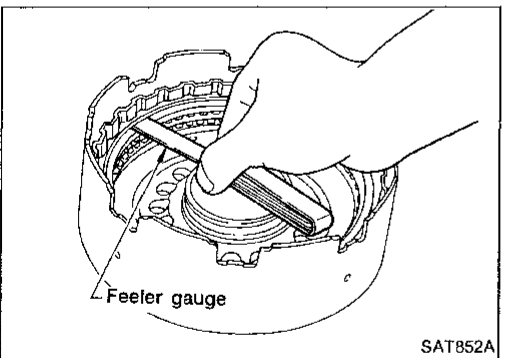
HA

EL

IDX



6. Install snap ring.



7. Measure clearance between retaining plate and snap ring. If not within allowable limit, select proper retaining plate.

**Specified clearance:**

**Standard**

0.5 - 0.8 mm (0.020 - 0.031 in)

**Allowable limit**

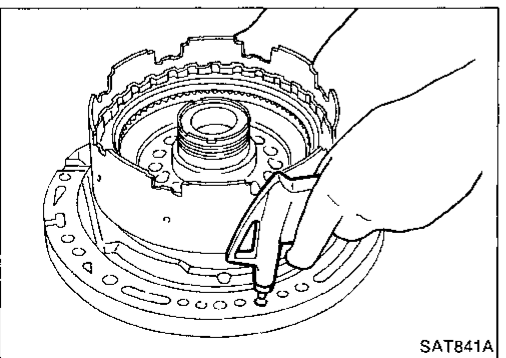
1.2 mm (0.047 in) (RE4R01A)

1.4 mm (0.055 in) (RE4R03A)

**Retaining plate:**

Refer to SDS, AT-188 (RE4R01A).

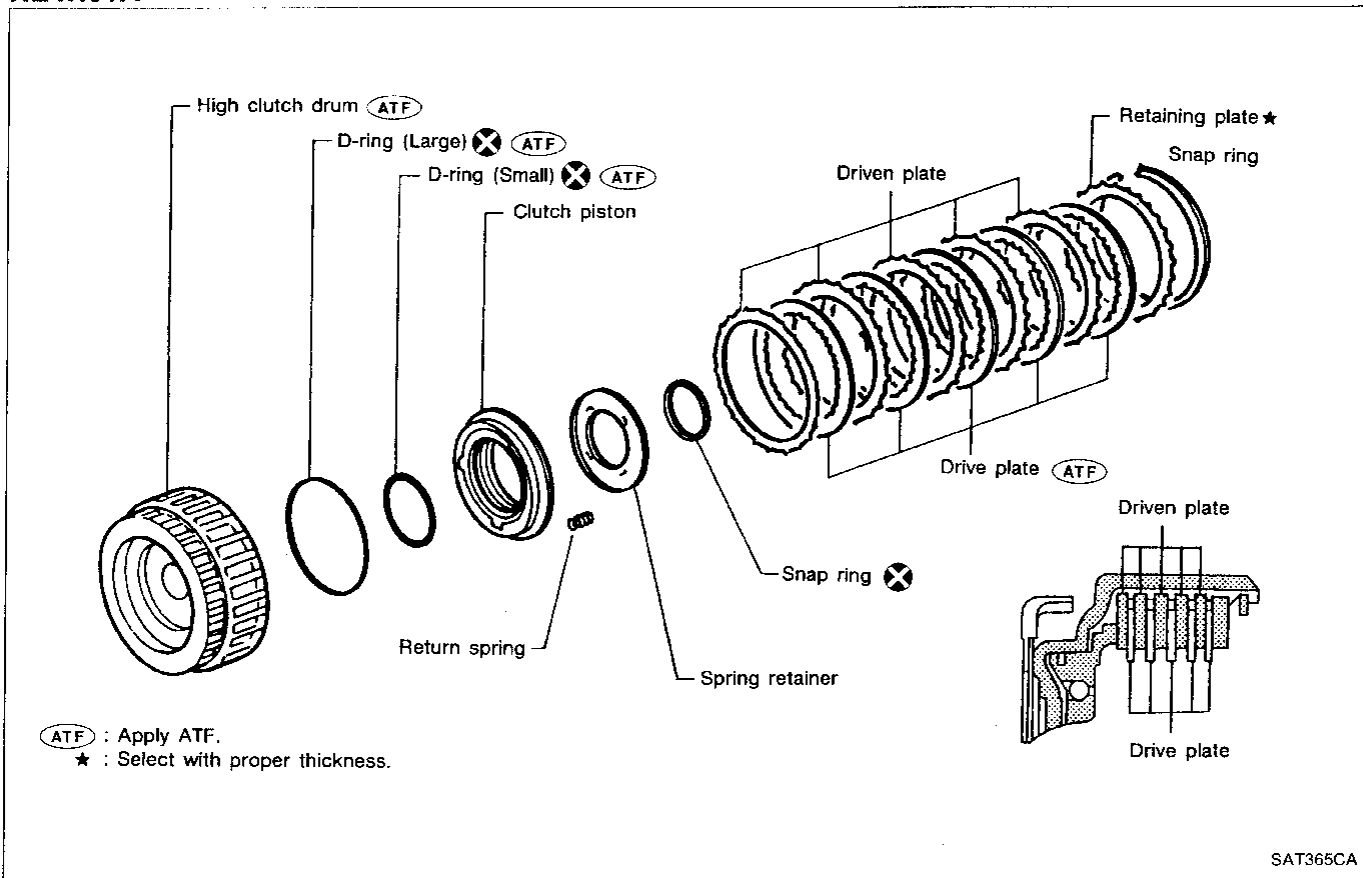
AT-192 (RE4R03A).



8. Check operation of reverse clutch. Refer to "DISASSEMBLY" of Reverse Clutch, AT-138.

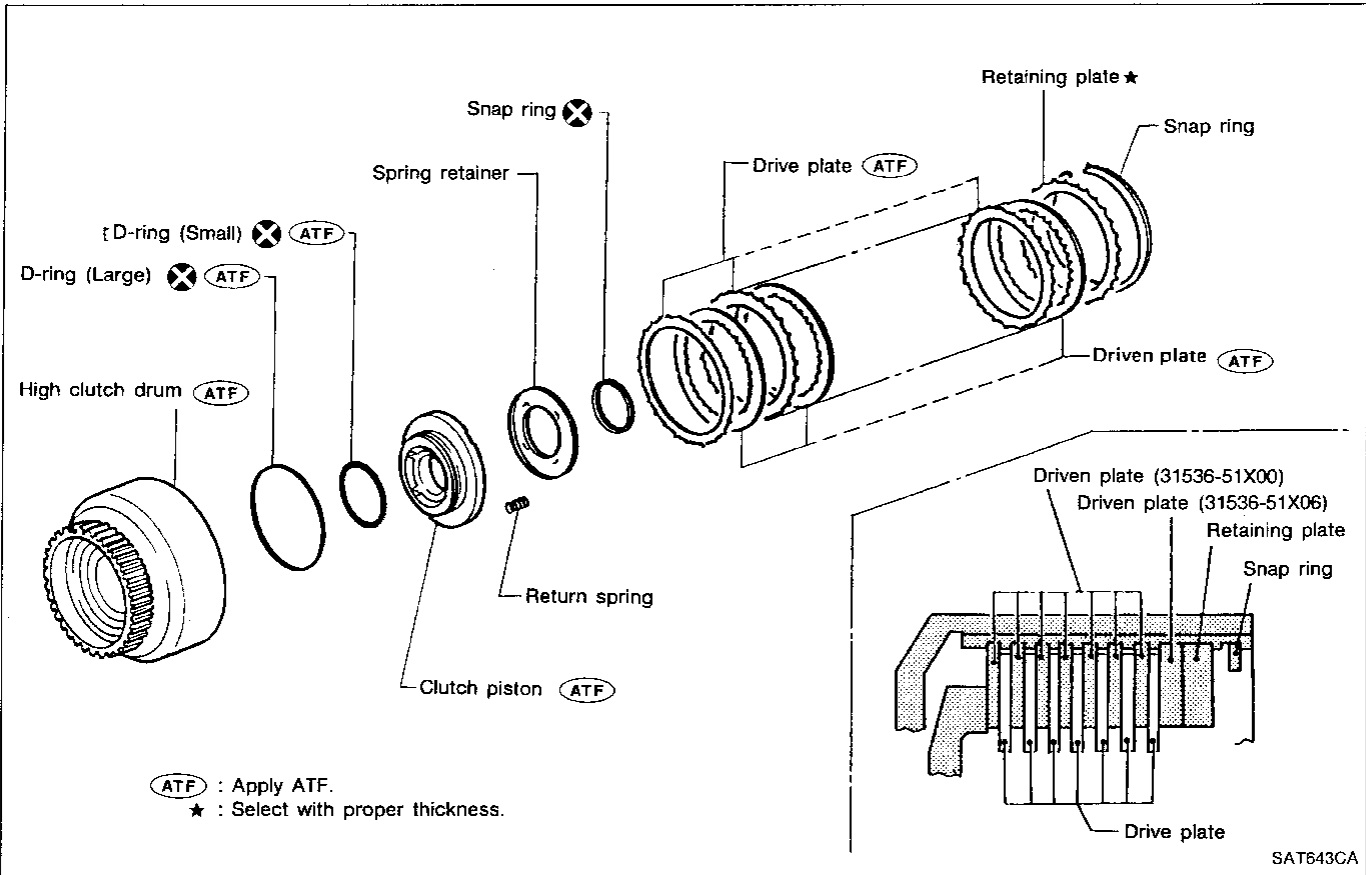
High Clutch

RE4R01A



SAT365CA

RE4R03A



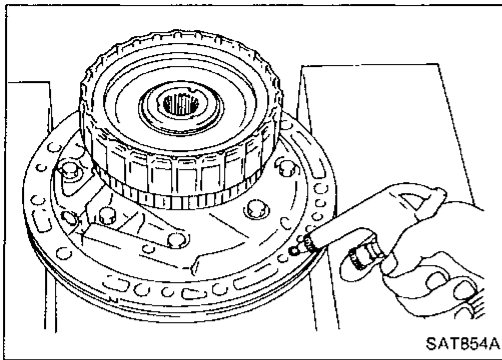
SAT643CA

# REPAIR FOR COMPONENT PARTS

## High Clutch (Cont'd)

Service procedures for high clutch are essentially the same as those for reverse clutch, with the following exception:

- Check of high clutch operation



GI

MA

EW

LC

EF &  
EC

FE

CL

MT

AT

PD

FA

RA

BR

ST

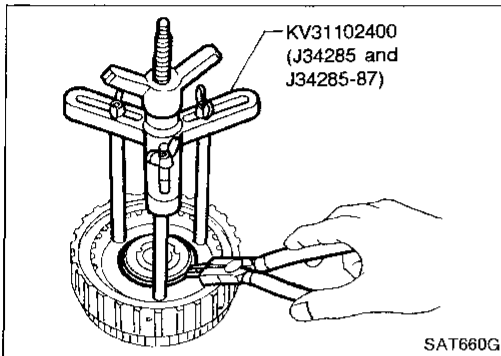
BF

HA

EL

IDX

- Removal and installation of return spring

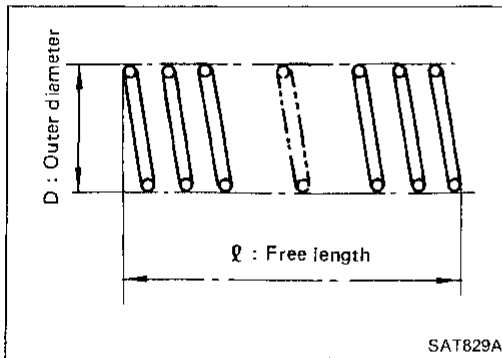


- Inspection of high clutch return springs

**Inspection standard:**

Unit: mm (in)

Part No.	ℓ	D
31505-21X03	22.06 (0.8685)	11.6 (0.457)



- Inspection of high clutch drive plate

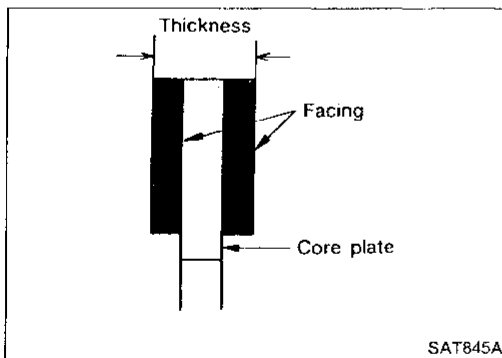
**Thickness of drive plate:**

**Standard**

1.6 mm (0.063 in)

**Wear limit**

1.4 mm (0.055 in)



- Measurement of clearance between retaining plate and snap ring

**Specified clearance:**

**Standard**

1.8 - 2.2 mm (0.071 - 0.087 in)

**Allowable limit**

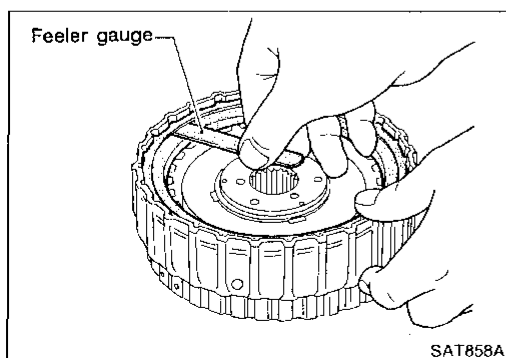
3.2 mm (0.126 in) (RE4R01A)

3.0 mm (0.118 in) (RE4R03A)

**Retaining plate:**

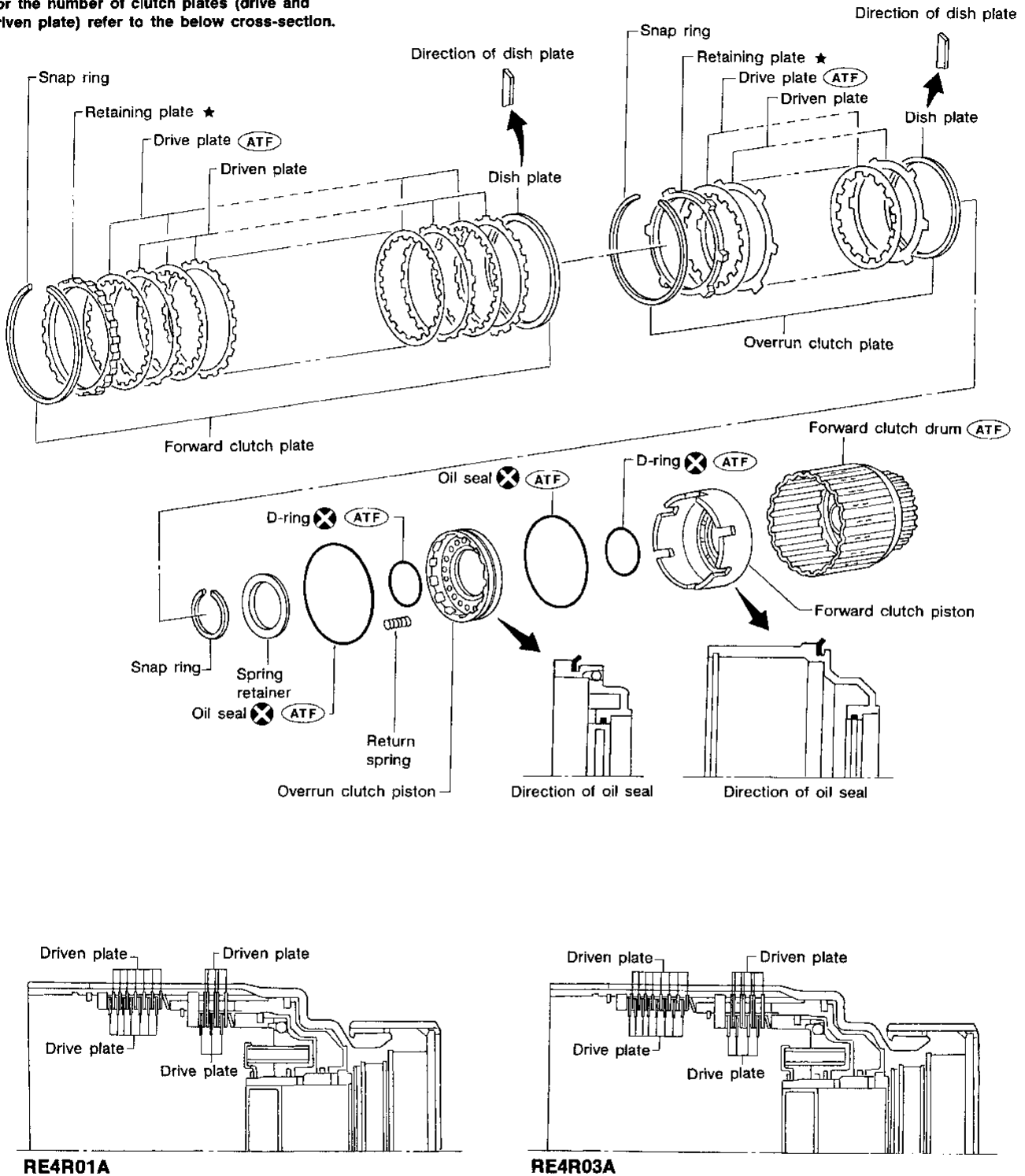
Refer to SDS, AT-188 (RE4R01A).

AT-192 (RE4R03A).



Forward and Overrun Clutches

For the number of clutch plates (drive and driven plate) refer to the below cross-section.



ATF : Apply ATF.  
 ★ : Select with proper thickness.

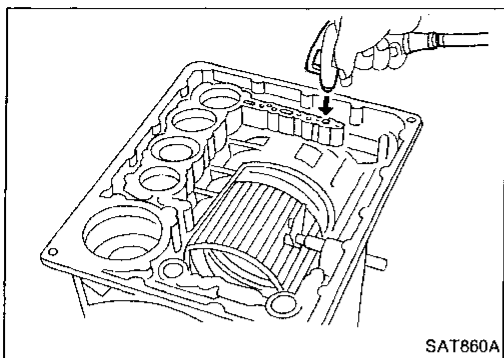


## REPAIR FOR COMPONENT PARTS

### Forward and Overrun Clutches (Cont'd)

Service procedures for forward and overrun clutches are essentially the same as those for reverse clutch, with the following exception:

- Check of forward clutch operation.



GI

MA

EM

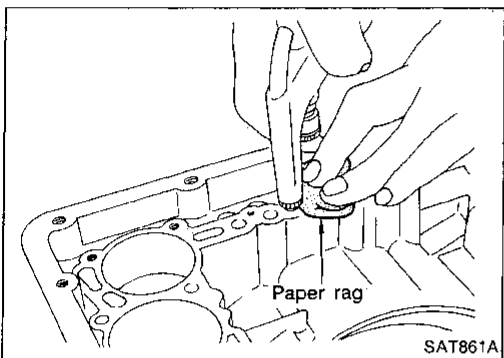
- Check of overrun clutch operation.

LC

EF &  
EC

FE

CL



- Removal of forward clutch drum  
Remove forward clutch drum from transmission case by holding snap ring.

MT

AT

PD

FA

RA

BR

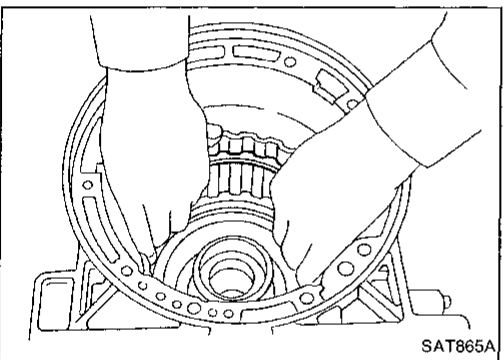
ST

BF

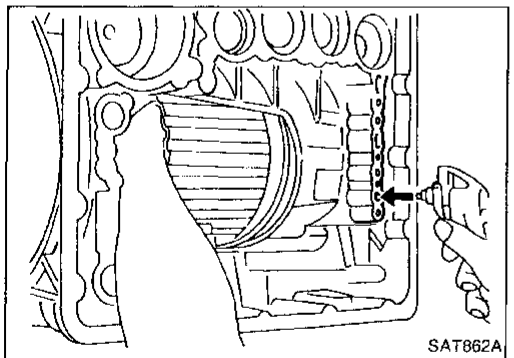
HA

EL

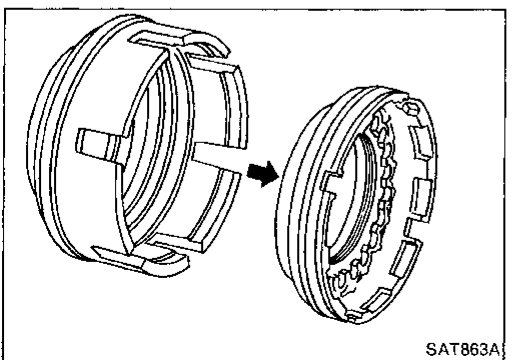
IDX



- Removal of forward clutch and overrun clutch pistons
  1. While holding overrun clutch piston, gradually apply compressed air to oil hole.

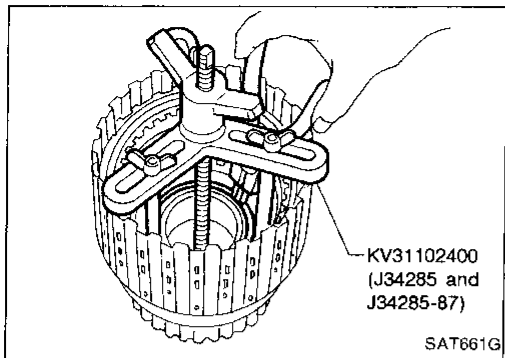


2. Remove overrun clutch from forward clutch.

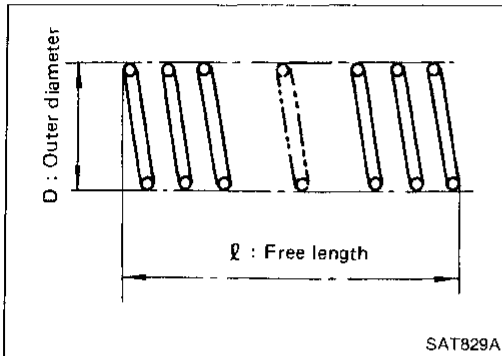


# REPAIR FOR COMPONENT PARTS

## Forward and Overrun Clutches (Cont'd)



- Removal and installation of return springs

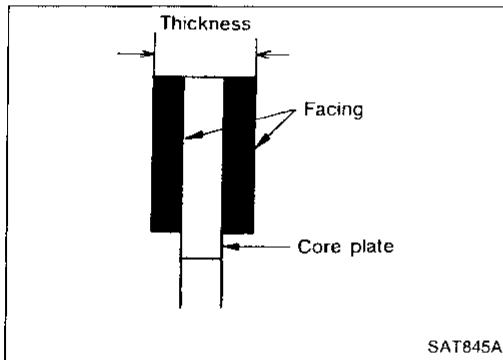


- Inspection of forward clutch and overrun clutch return springs

### Inspection standard:

Unit: mm (in)

Model	Part No.	ℓ	D
RE4R01A	31505-41X01	35.77 (1.4083)	9.7 (0.382)
RE4R03A	31505-51X04	36.8 (1.449)	9.8 (0.386)



- Inspection of forward clutch drive plates

### Thickness of drive plate:

#### Standard

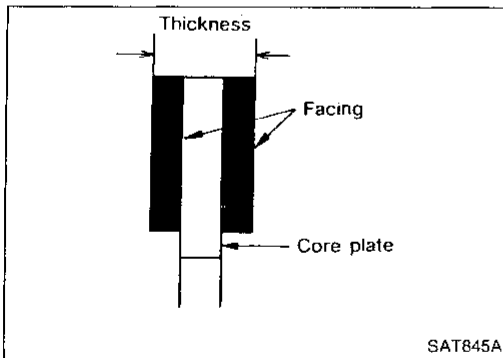
1.6 mm (0.063 in) (RE4R01A)

2.0 mm (0.079 in) (RE4R03A)

#### Wear limit

1.4 mm (0.055 in) (RE4R01A)

1.8 mm (0.071 in) (RE4R03A)



- Inspection of overrun clutch drive plates

### Thickness of drive plate:

#### Standard

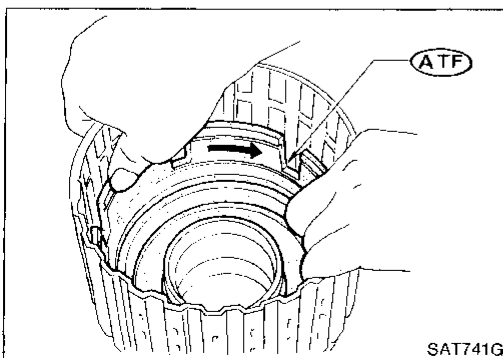
2.0 mm (0.079 in) (RE4R01A)

1.6 mm (0.063 in) (RE4R03A)

#### Wear limit

1.8 mm (0.071 in) (RE4R01A)

1.4 mm (0.055 in) (RE4R03A)



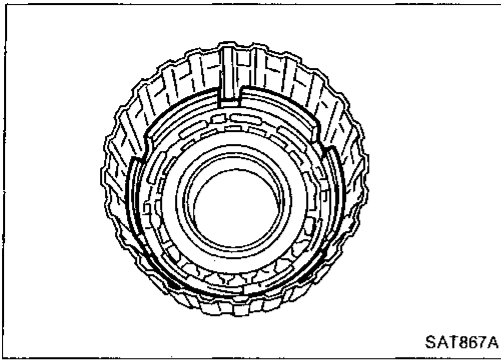
- Installation of forward clutch piston and overrun clutch piston

1. Install forward clutch piston by turning it slowly and evenly.

- Apply ATF to inner surface of clutch drum.

# REPAIR FOR COMPONENT PARTS

## Forward and Overrun Clutches (Cont'd)



- Align notch in forward clutch piston with groove in forward clutch drum.

GI

MA

EM

LC

EF &  
EC

FE

CL

MT

AT

PD

FA

RA

BR

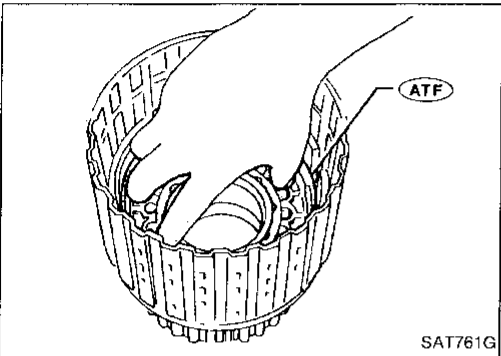
ST

BF

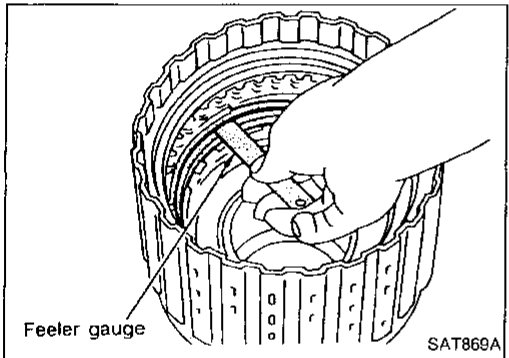
HA

EL

IDX



2. Install overrun clutch by turning it slowly and evenly.
- Apply ATF to inner surface of forward clutch piston.



- Measurement of clearance between retaining plate and snap ring of overrun clutch

### Specified clearance:

#### Standard

1.0 - 1.4 mm (0.039 - 0.055 in)

#### Allowable limit

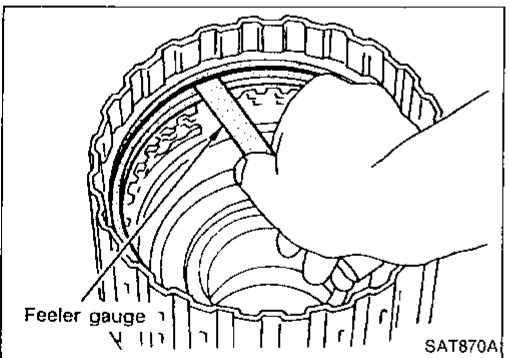
2.0 mm (0.079 in) (RE4R01A)

2.2 mm (0.087 in) (RE4R03A)

#### Retaining plate:

Refer to SDS, AT-188 (RE4R01A).

AT-192 (RE4R03A).



- Measurement of clearance between retaining plate and snap ring of forward clutch

### Specified clearance:

#### Standard

0.45 - 0.85 mm (0.0177 - 0.0335 in)

#### Allowable limit

2.25 mm (0.0886 in) (RE4R01A)

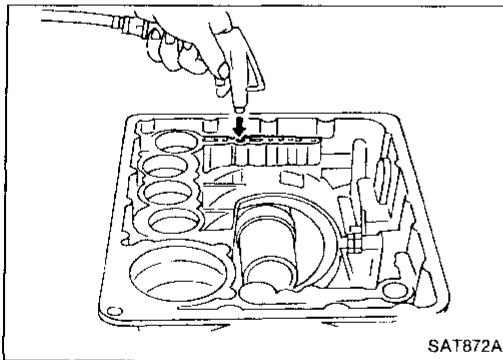
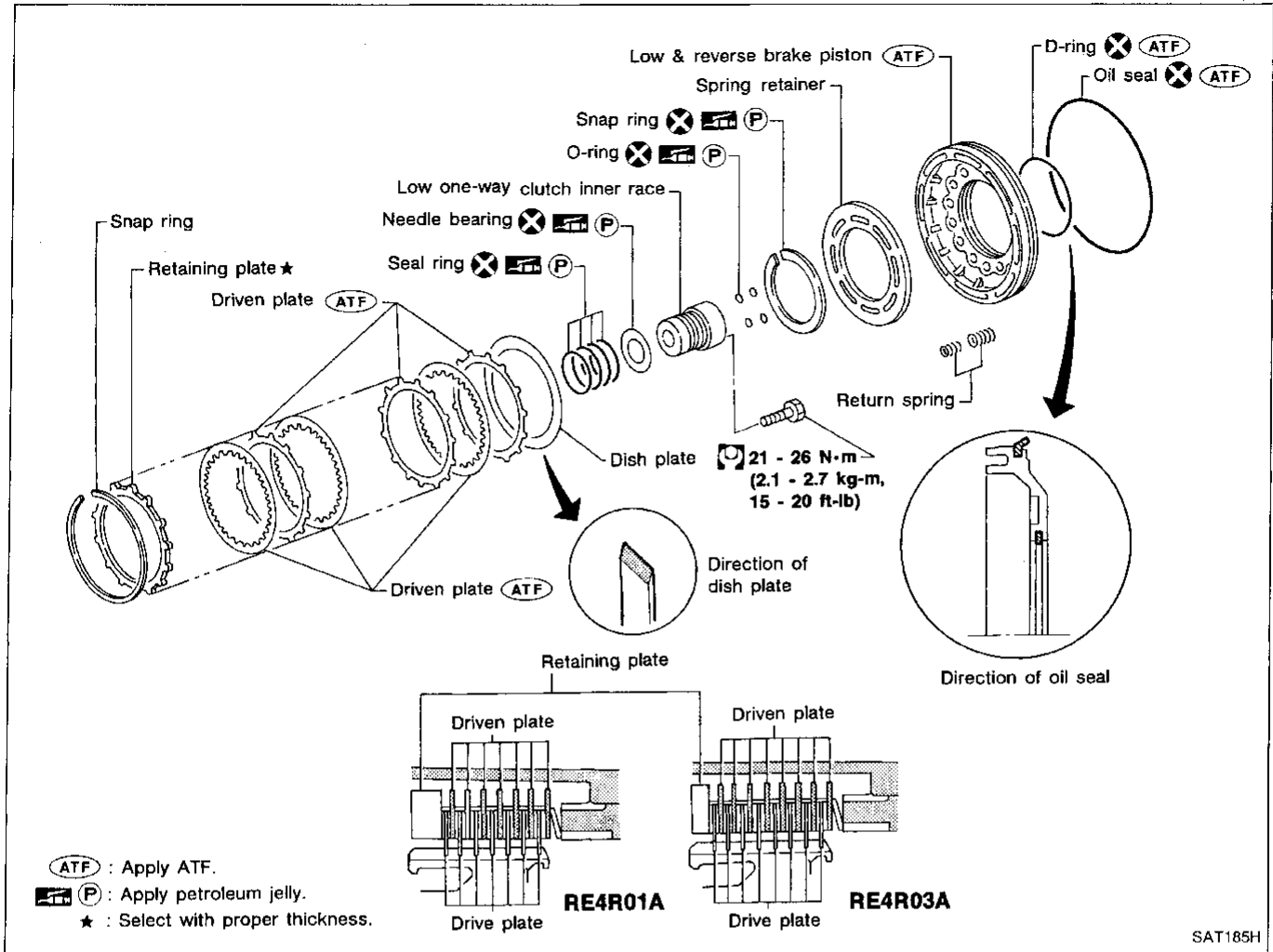
2.45 mm (0.0965 in) (RE4R03A)

#### Retaining plate:

Refer to SDS, AT-188 (RE4R01A).

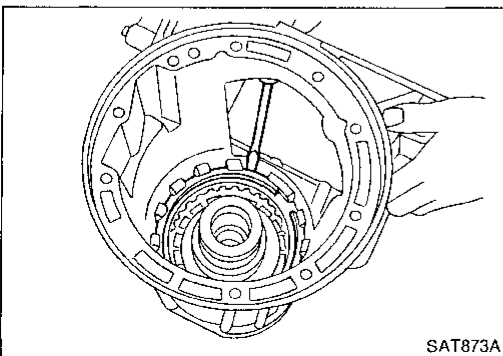
AT-192 (RE4R03A).

## Low & Reverse Brake



### DISASSEMBLY

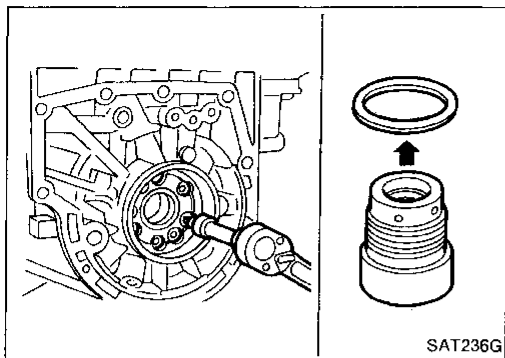
1. Check operation of low and reverse brake.
  - a. Install seal ring onto oil pump cover and install reverse clutch. Apply compressed air to oil hole.
  - b. Check to see that retaining plate moves to snap ring.
  - c. If retaining plate does not move to snap ring, D-ring or oil seal may be damaged or fluid may be leaking at piston check ball.



2. Remove snap ring, low and reverse brake drive plates, driven plates and dish plate.

# REPAIR FOR COMPONENT PARTS

## Low & Reverse Brake (Cont'd)



3. Remove low one-way clutch inner race, spring retainer and return spring from transmission case.
4. Remove seal rings from low one-way clutch inner race.
5. Remove needle bearing from low one-way clutch inner race.

GI

MA

EM

LC

EF &  
EC

FE

CL

MT

AT

PD

FA

RA

BR

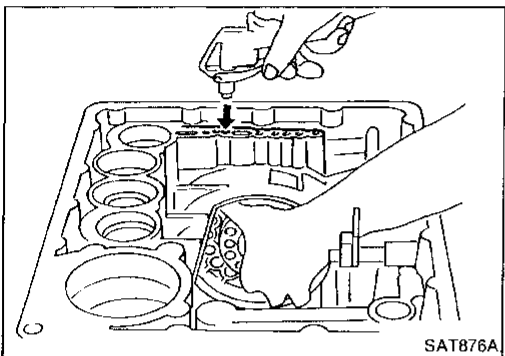
ST

BF

HA

EL

IDX

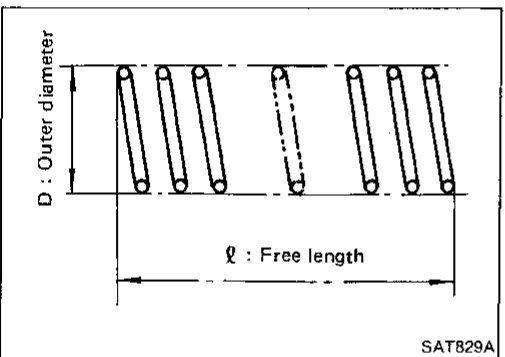


6. Remove low and reverse brake piston using compressed air.
7. Remove oil seal and D-ring from piston.

### INSPECTION

#### Low and reverse brake snap ring and spring retainer

- Check for deformation, or damage.

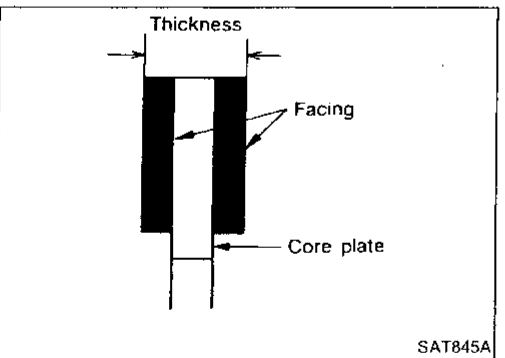


#### Low and reverse brake return springs

- Check for deformation or damage. Also measure free length and outside diameter.

#### Inspection standard:

		Unit: mm (in)	
Model	Part No.	ℓ	D
RE4R01A	31521-21X00	23.7 (0.933)	11.6 (0.457)
RE4R03A	(Inner) 31505-51X06	20.43 (0.8043)	10.3 (0.406)
	(Outer) 31505-51X05	20.35 (0.8012)	13.0 (0.512)



#### Low and reverse brake drive plates

- Check facing for burns, cracks or damage.
- Measure thickness of facing.

#### Thickness of drive plate:

##### Standard value

2.0 mm (0.079 in) (RE4R01A)

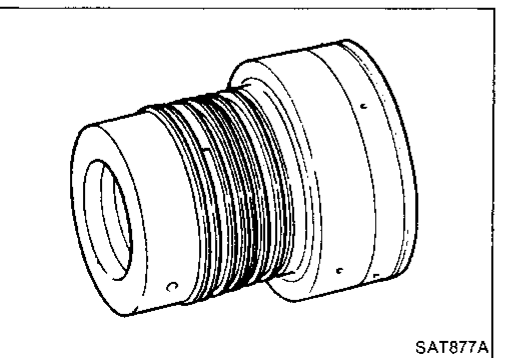
1.6 mm (0.063 in) (RE4R03A)

##### Wear limit

1.8 mm (0.071 in) (RE4R01A)

1.4 mm (0.055 in) (RE4R03A)

- If not within wear limit, replace.

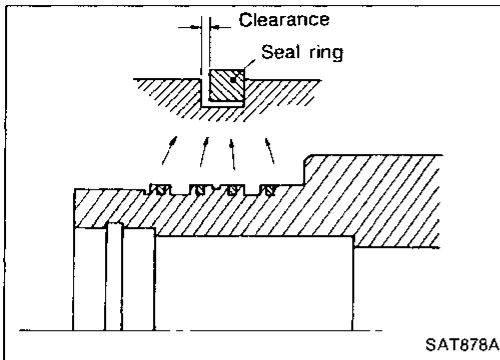


#### Low one-way clutch inner race

- Check frictional surface of inner race for wear or damage.

## REPAIR FOR COMPONENT PARTS

### Low & Reverse Brake (Cont'd)



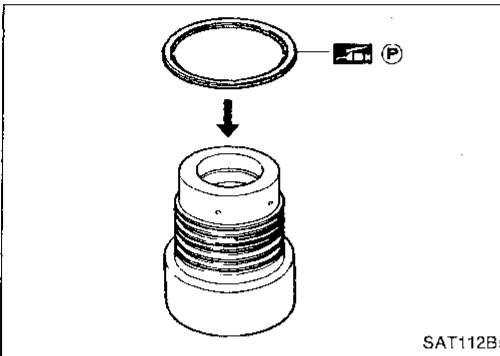
- Install a new seal rings onto low one-way clutch inner race.
- **Be careful not to expand seal ring gap excessively.**
- Measure seal ring-to-groove clearance.

#### Inspection standard:

**Standard value: 0.10 - 0.25 mm (0.0039 - 0.0098 in)**

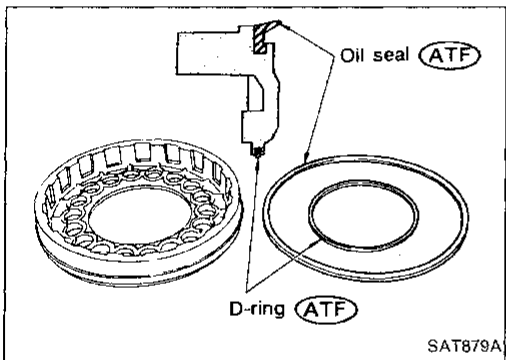
**Allowable limit: 0.25 mm (0.0098 in)**

- If not within allowable limit, replace low one-way clutch inner race.

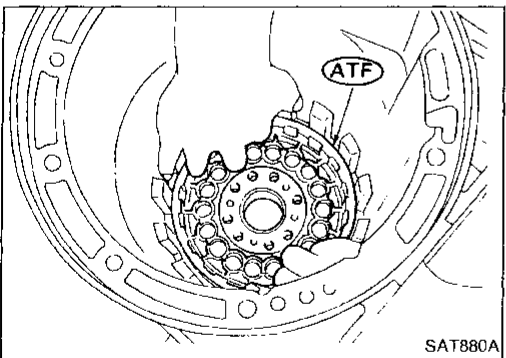


### ASSEMBLY

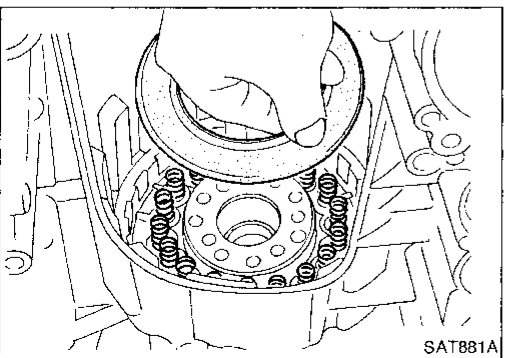
1. Install bearing onto one-way clutch inner race.
  - **Pay attention to its direction — Black surface goes to rear side.**
  - **Apply petroleum jelly to needle bearing.**



2. Install oil seal and D-ring onto piston.
  - **Apply ATF to oil seal and D-ring.**



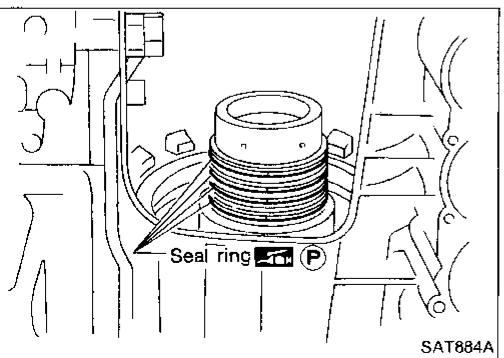
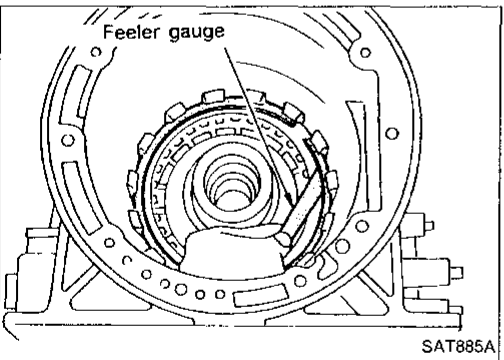
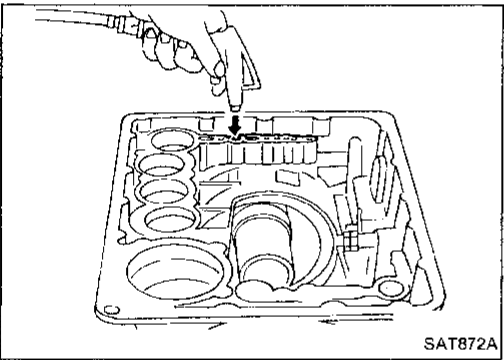
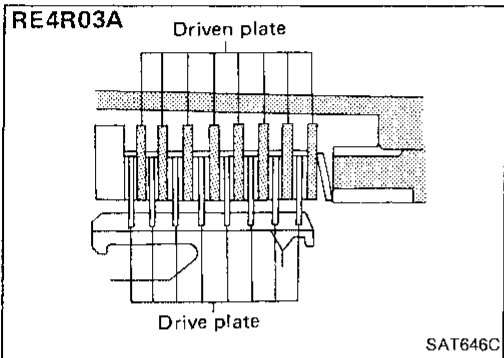
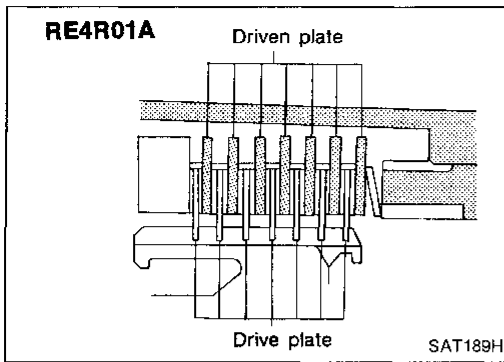
3. Install piston by rotating it slowly and evenly.
  - **Apply ATF to inner surface of transmission case.**



4. Install return springs, spring retainer and low one-way clutch inner race onto transmission case.

# REPAIR FOR COMPONENT PARTS

## Low & Reverse Brake (Cont'd)



5. Install dish plate, low and reverse brake drive plates, driven plates and retaining plate.

- Two types of drive plates are used on the RE4R03A transmission. One type uses a "waving" design and the other type uses a "flat" design. Either one can be installed first since they are interchangeable.

6. Install snap ring on transmission case.

7. Check operation of low and reverse brake clutch piston. Refer to "DISASSEMBLY", AT-148.

8. Measure clearance between retaining plate and snap ring. If not within allowable limit, select proper retaining plate.

### Specified clearance:

#### Standard

0.7 - 1.1 mm (0.028 - 0.043 in) (RE4R01A)

0.9 - 1.2 mm (0.035 - 0.047 in) (RE4R03A)

#### Allowable limit

2.9 mm (0.114 in) (RE4R01A)

3.1 mm (0.122 in) (RE4R03A)

### Retaining plate:

Refer to SDS, AT-189 (RE4R01A).

AT-193 (RE4R03A).

9. Install low one-way clutch inner race seal ring.

- Apply petroleum jelly to seal ring.
- Make sure seal rings are pressed firmly into place and held by petroleum jelly.

GI

MA

EM

LC

EF &  
EC

FE

CL

MT

AT

PD

FA

RA

BR

ST

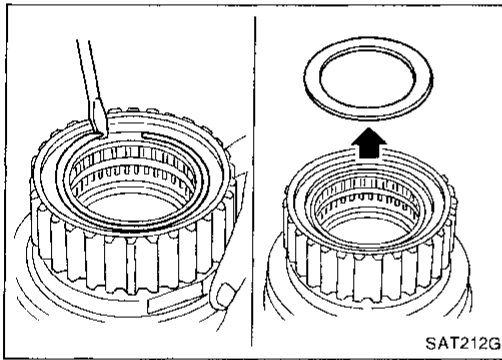
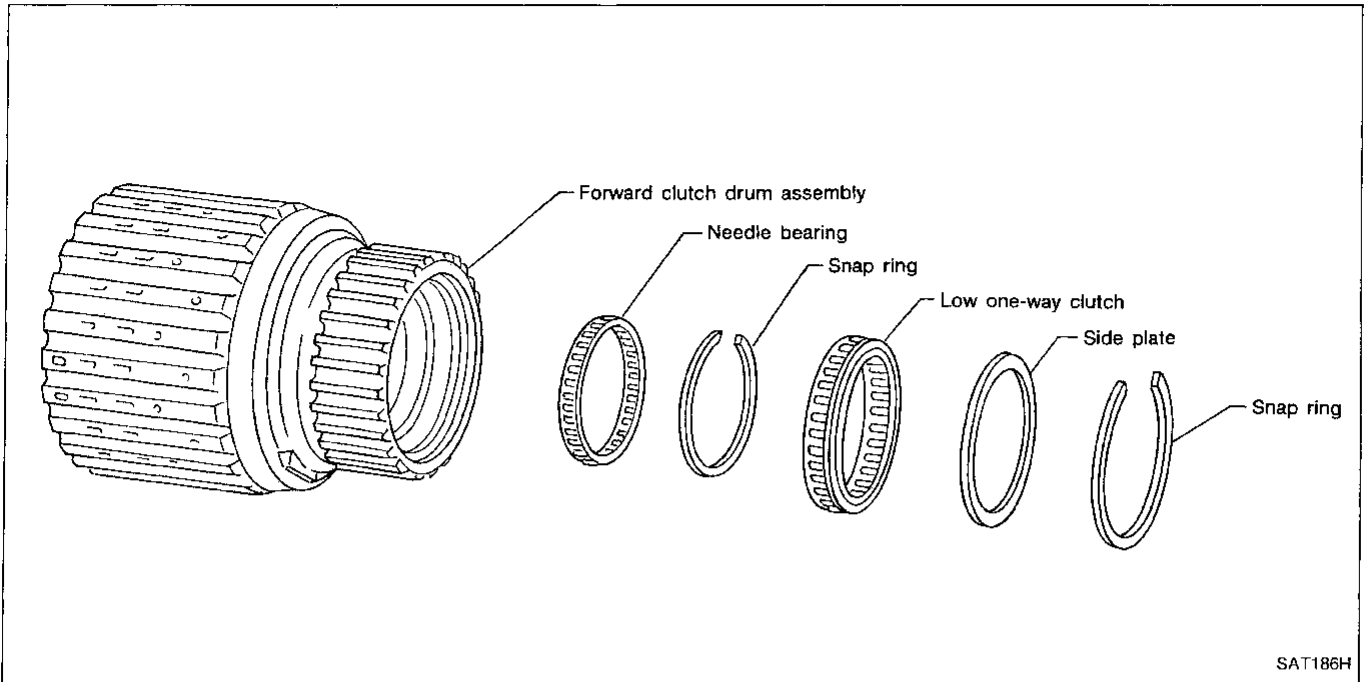
BF

HA

EL

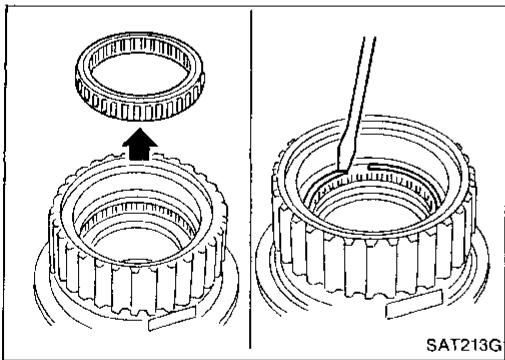
IDX

Forward Clutch Drum Assembly — RE4R01A

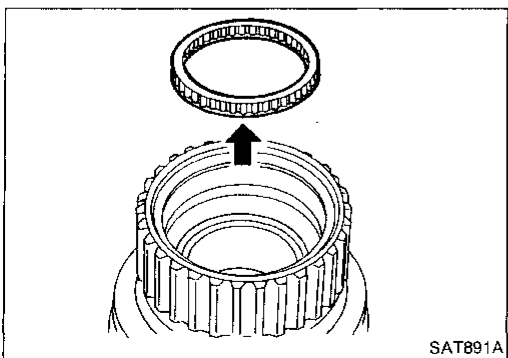


**DISASSEMBLY**

1. Remove snap ring from forward clutch drum.
2. Remove side plate from forward clutch drum.



3. Remove low one-way clutch from forward clutch drum.
4. Remove snap ring from forward clutch drum.



5. Remove needle bearing from forward clutch drum.



## REPAIR FOR COMPONENT PARTS

### Forward Clutch Drum Assembly — RE4R01A (Cont'd)

#### INSPECTION

##### Forward clutch drum

- Check spline portion for wear or damage.
- Check frictional surfaces of low one-way clutch and needle bearing for wear or damage.

GI

MA

EM

##### Needle bearing and low one-way clutch

- Check frictional surface for wear or damage.

LC

EF &  
EC

FE

CL

MT

AT

PD

FA

RA

BR

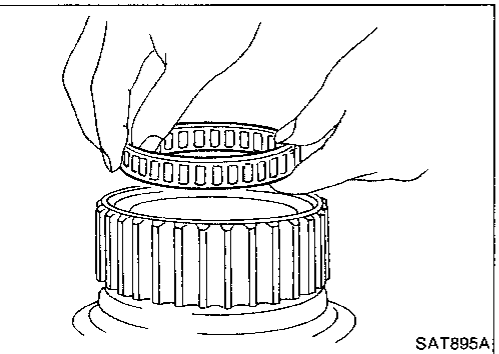
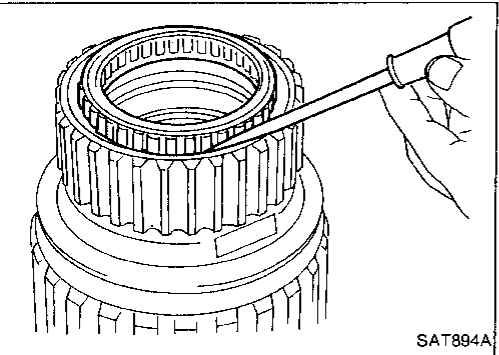
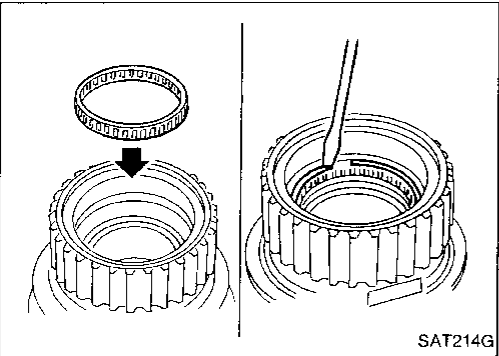
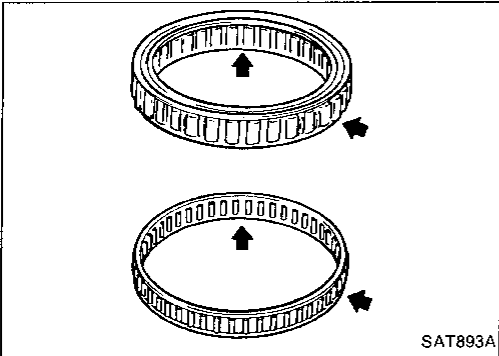
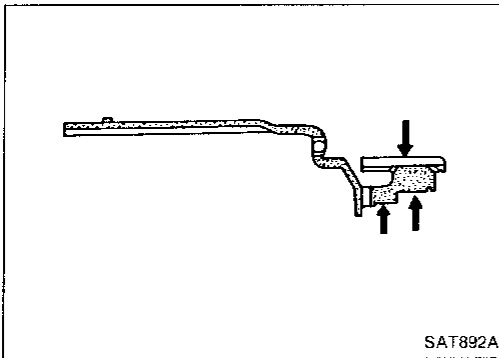
ST

BF

HA

EL

DX



#### ASSEMBLY

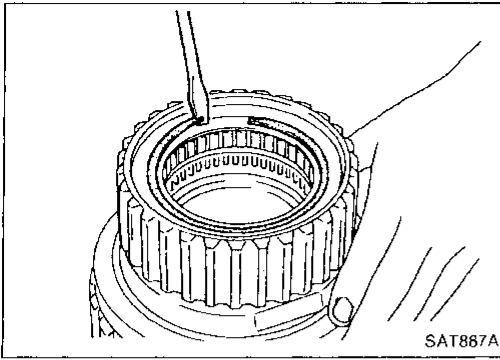
1. Install needle bearing in forward clutch drum.
2. Install snap ring onto forward clutch drum.

3. Install low one-way clutch onto forward clutch drum by pushing the roller in evenly.

- Install low one-way clutch with flange facing rearward.

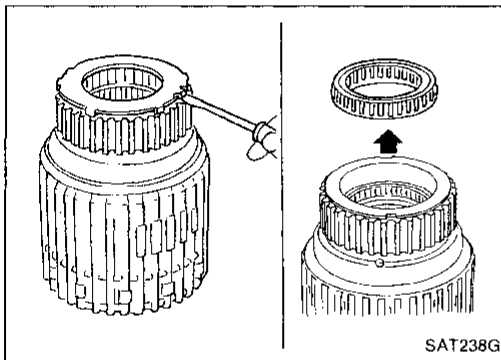
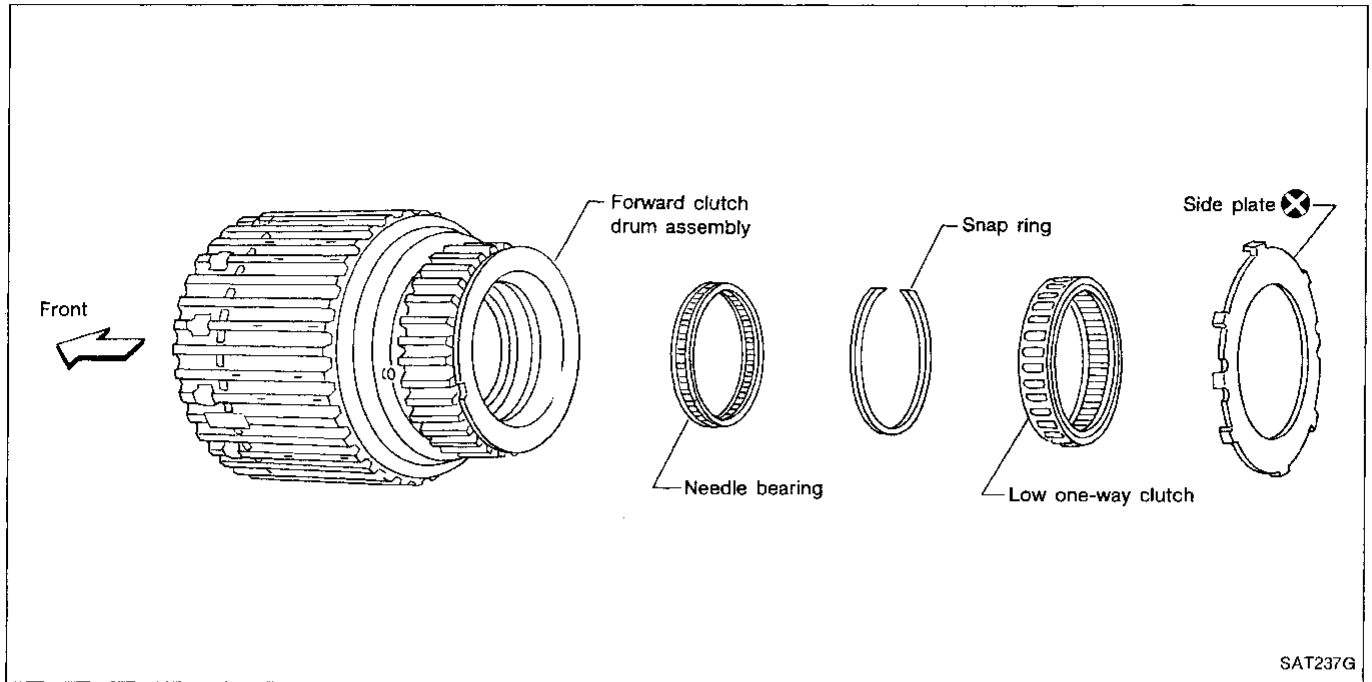
## REPAIR FOR COMPONENT PARTS

### Forward Clutch Drum Assembly — RE4R01A (Cont'd)



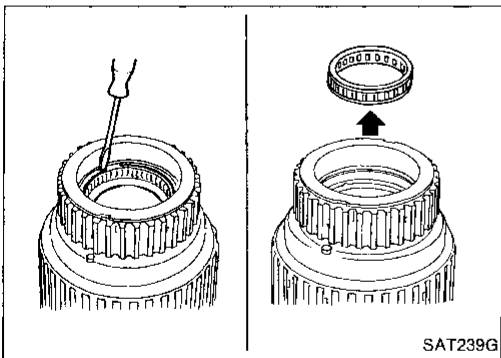
4. Install side plate onto forward clutch drum.
5. Install snap ring onto forward clutch drum.

Forward Clutch Drum Assembly — RE4R03A

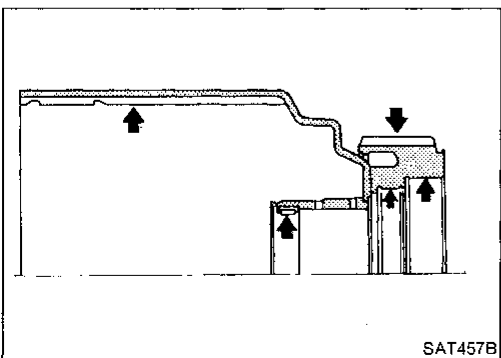


**DISASSEMBLY**

1. Remove side plate from forward clutch drum.
2. Remove low one-way clutch from forward clutch drum.



3. Remove snap ring from forward clutch drum.
4. Remove needle bearing from forward clutch drum.



**INSPECTION**

**Forward clutch drum**

- Check spline portion for wear or damage.
- Check frictional surfaces of low one-way clutch and needle bearing for wear or damage.

GI

MA

EM

LC

EE &  
EC

FE

CL

MT

AT

PD

FA

RA

BR

ST

BF

HA

EL

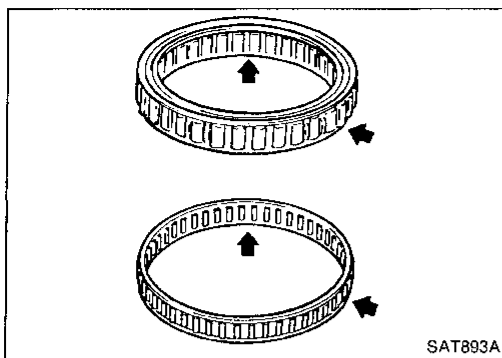
IDX

## REPAIR FOR COMPONENT PARTS

### Forward Clutch Drum Assembly — RE4R03A (Cont'd)

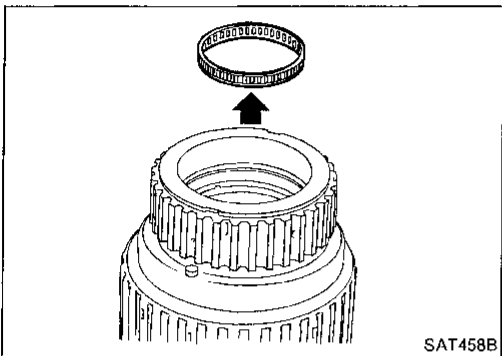
#### Needle bearing and low one-way clutch

- Check frictional surface for wear or damage.

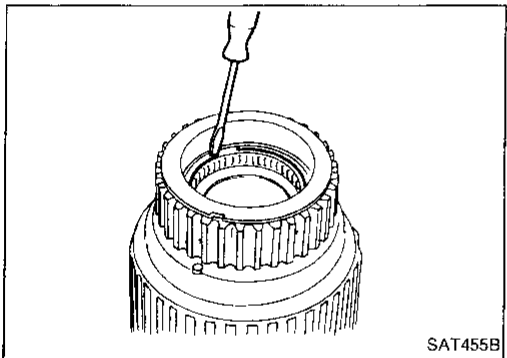


#### ASSEMBLY

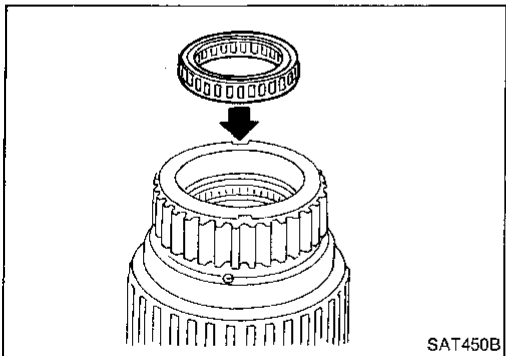
1. Install needle bearing in forward clutch drum.



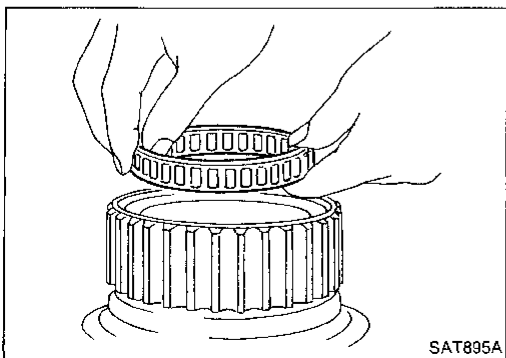
2. Install snap ring onto forward clutch drum.



3. Install low one-way clutch onto forward clutch drum by pushing the roller in evenly.

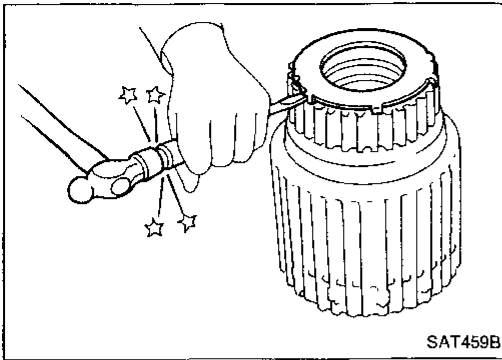


- Install low one-way clutch with flange facing rearward.



## REPAIR FOR COMPONENT PARTS

### Forward Clutch Drum Assembly — RE4R03A (Cont'd)



4. Install side plate onto forward clutch drum.

GI

MA

EM

LC

EF &  
EC

FE

CL

MT

**AT**

PD

FA

RA

BR

ST

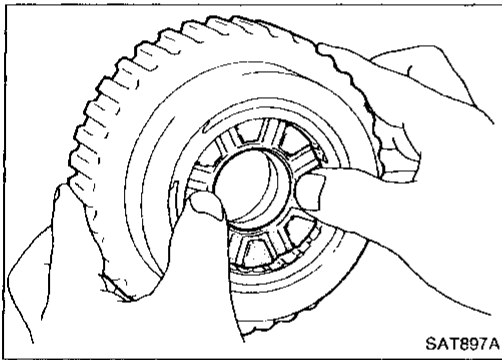
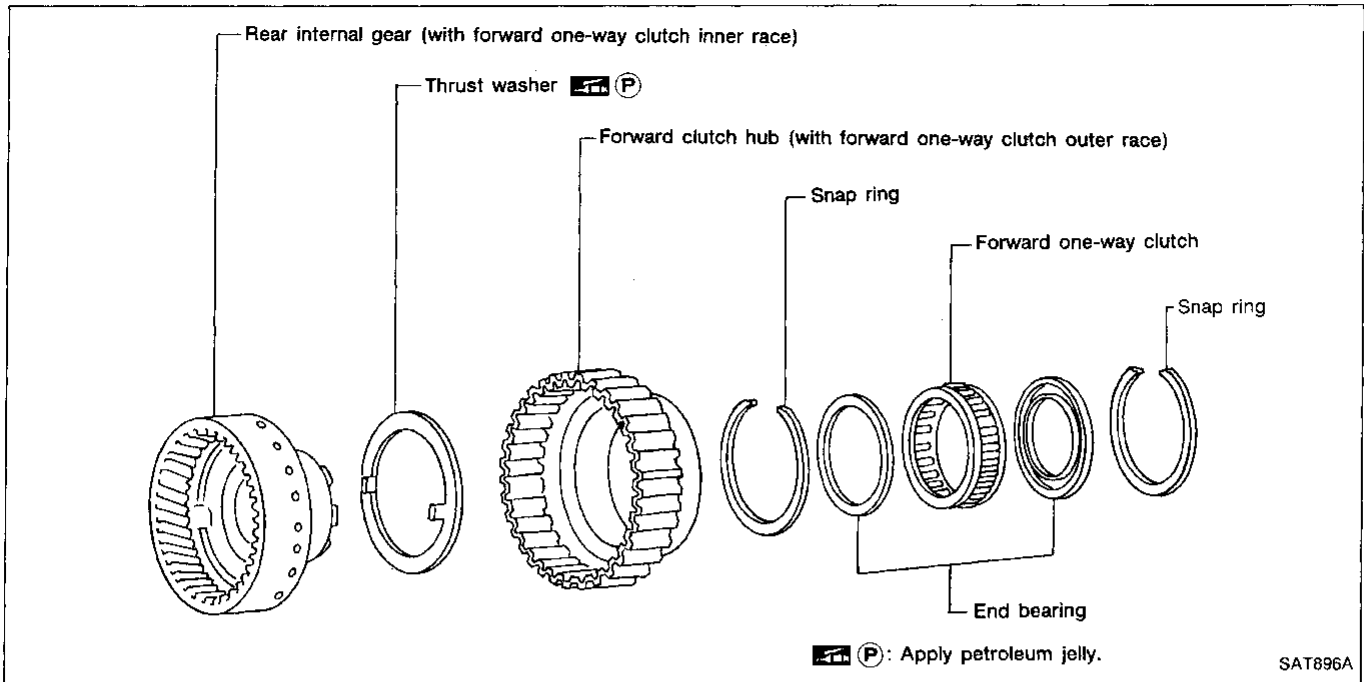
BF

HA

EL

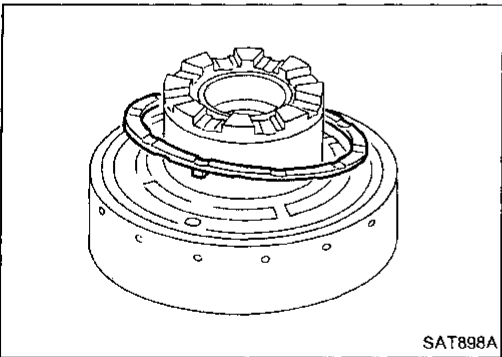
IDX

Rear Internal Gear and Forward Clutch Hub

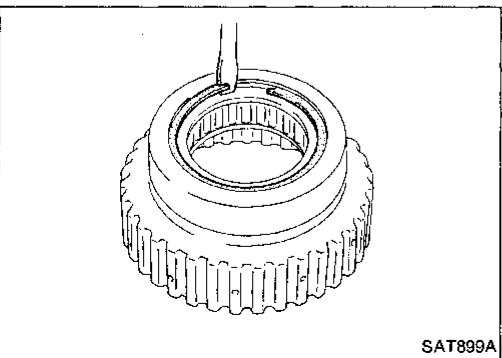


DISASSEMBLY

1. Remove rear internal gear by pushing forward clutch hub forward.



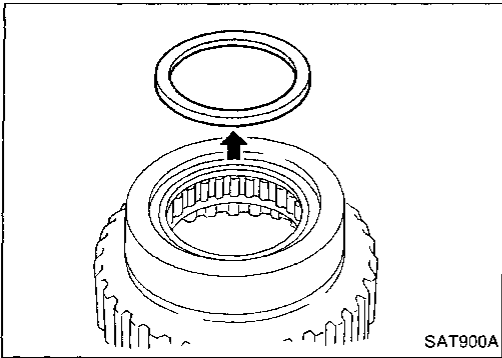
2. Remove thrust washer from rear internal gear.



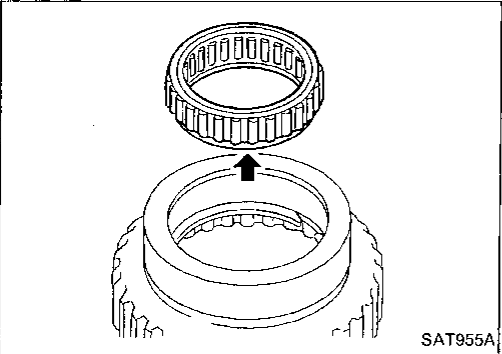
3. Remove snap ring from forward clutch hub.

## REPAIR FOR COMPONENT PARTS

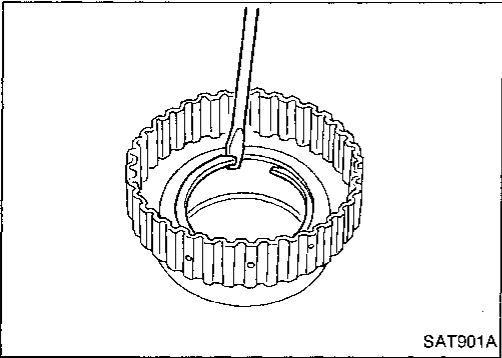
### Rear Internal Gear and Forward Clutch Hub (Cont'd)



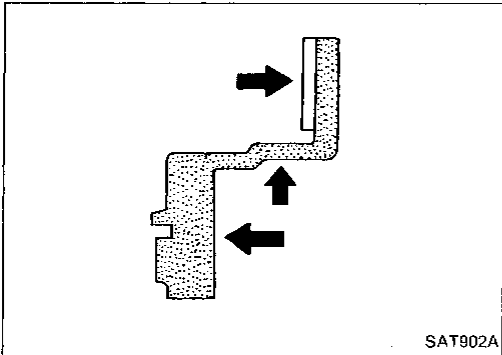
4. Remove end bearing.



5. Remove forward one-way clutch and end bearing as a unit from forward clutch hub.



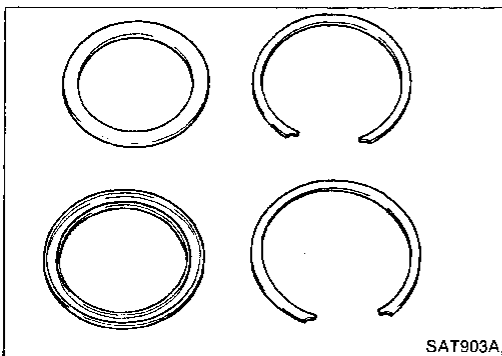
6. Remove snap ring from forward clutch hub.



#### INSPECTION

##### Rear internal gear and forward clutch hub

- Check gear for excessive wear, chips or cracks.
- Check frictional surfaces of forward one-way clutch and thrust washer for wear or damage.
- Check spline for wear or damage.



##### Snap ring and end bearing

- Check for deformation or damage.

GI

VA

EM

LC

EF &  
EC

FE

CL

MT

AT

PD

FA

RA

BR

ST

BF

HA

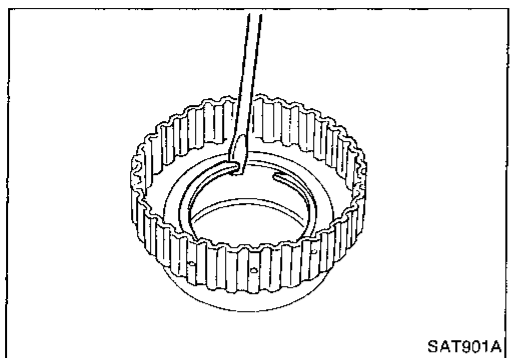
EL

FDX

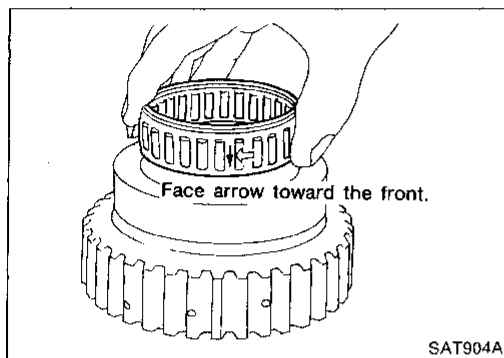
## REPAIR FOR COMPONENT PARTS

### Rear Internal Gear and Forward Clutch Hub (Cont'd)

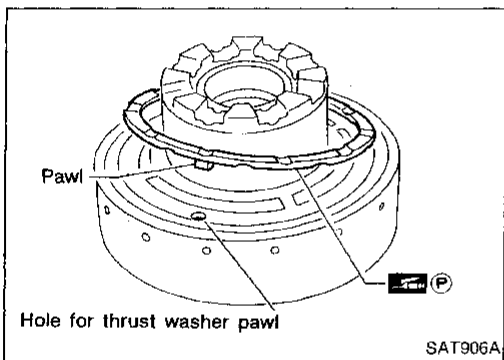
#### ASSEMBLY



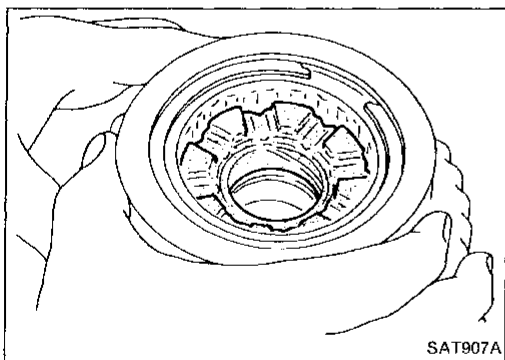
1. Install snap ring onto forward clutch hub.
2. Install end bearing.



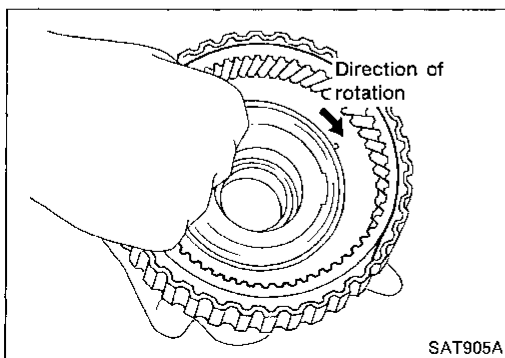
3. Install forward one-way clutch onto clutch hub.
  - **Install forward one-way clutch with flange facing rearward.**
4. Install end bearing.
5. Install snap ring onto forward clutch hub.



6. Install thrust washer onto rear internal gear.
  - **Apply petroleum jelly to thrust washer.**
  - **Securely insert pawls of thrust washer into holes in rear internal gear.**



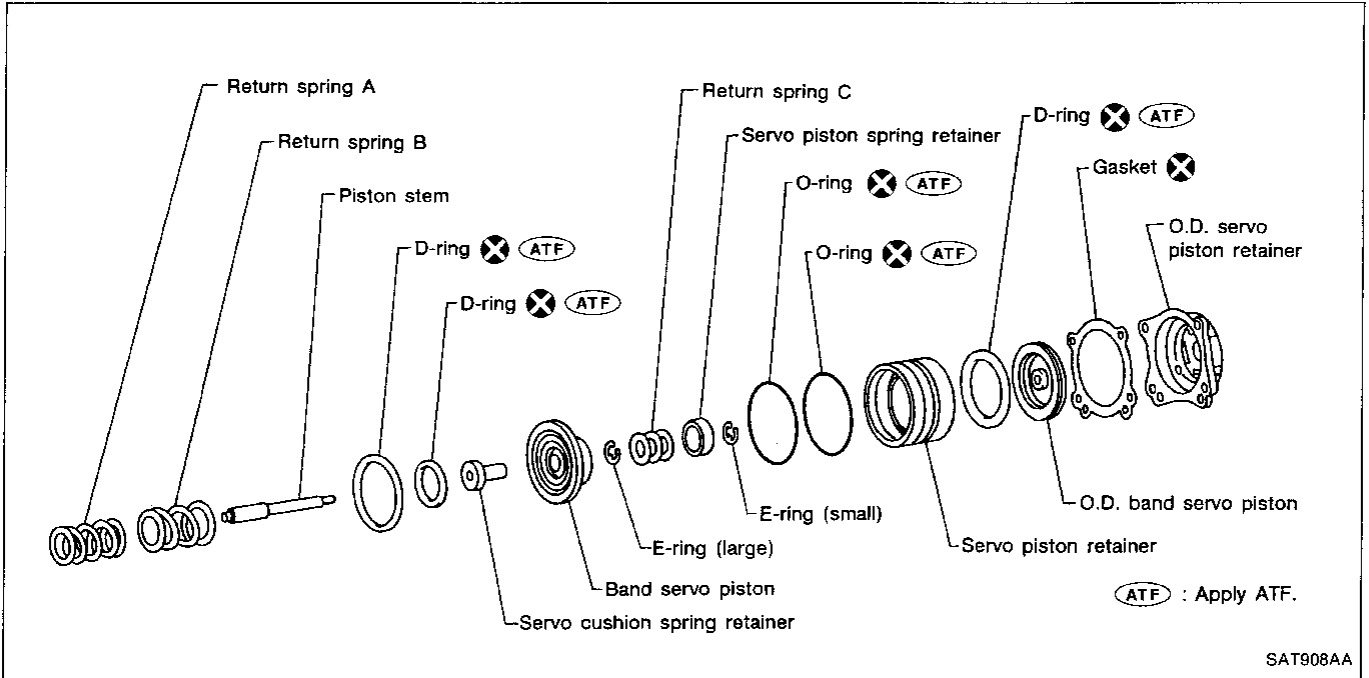
7. Position forward clutch hub in rear internal gear.



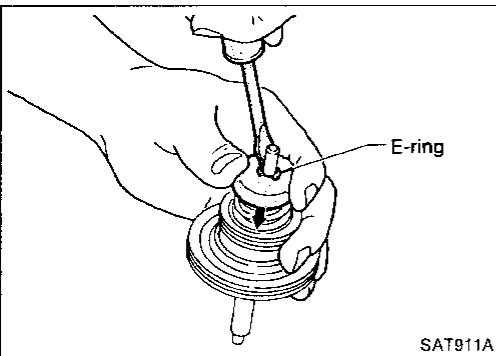
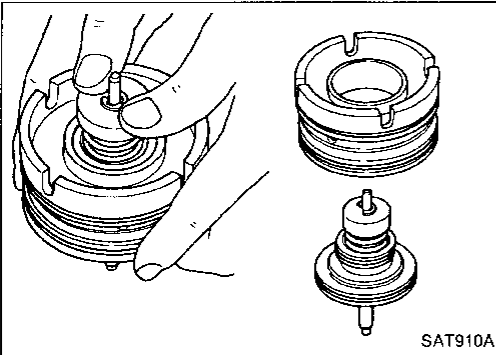
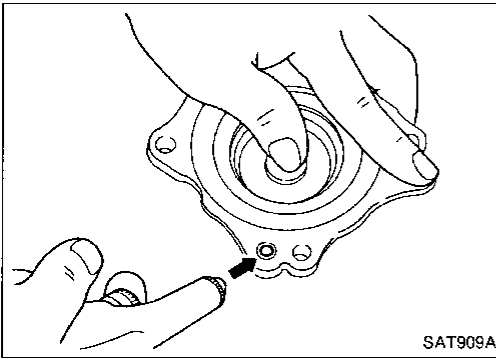
8. After installing, check to assure that forward clutch hub rotates clockwise.



Band Servo Piston Assembly



GI  
MA  
EM  
LC  
EF &  
EC  
FE  
CL



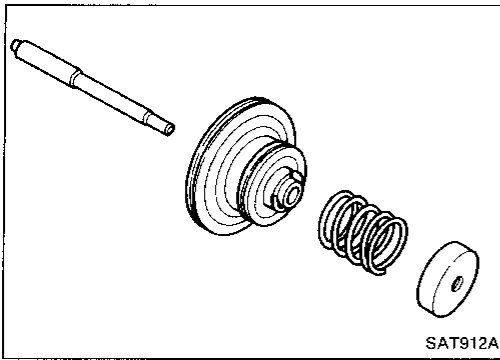
DISASSEMBLY

1. Block one oil hole in OD servo piston retainer and the center hole in OD band servo piston.
2. Apply compressed air to the other oil hole in piston retainer to remove OD band servo piston from retainer.
3. Remove D-ring from OD band servo piston.
4. Remove band servo piston assembly from servo piston retainer by pushing it forward.
5. Place piston stem end on a wooden block. While pushing servo piston spring retainer down, remove E-ring.

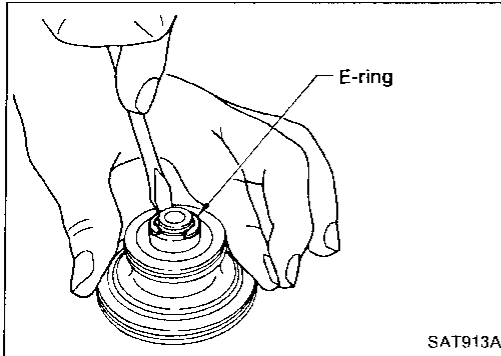
MT  
AT  
PD  
FA  
RA  
BR  
ST  
BF  
HA  
EL  
DX

## REPAIR FOR COMPONENT PARTS

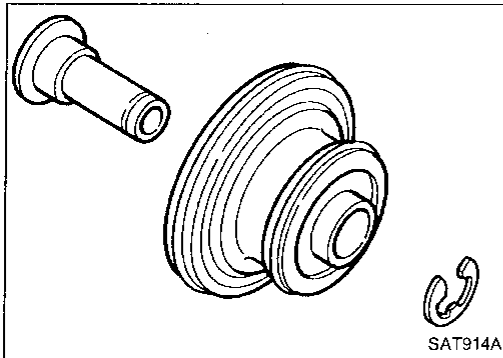
### Band Servo Piston Assembly (Cont'd)



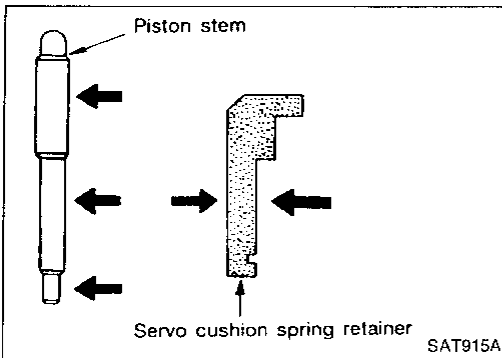
6. Remove servo piston spring retainer, return spring C and piston stem from band servo piston.



7. Remove E-ring from band servo piston.



8. Remove servo cushion spring retainer from band servo piston.  
9. Remove D-rings from band servo piston.  
10. Remove O-rings from servo piston retainer.



### INSPECTION

#### Pistons, retainers and piston stem

- Check frictional surfaces for abnormal wear or damage.

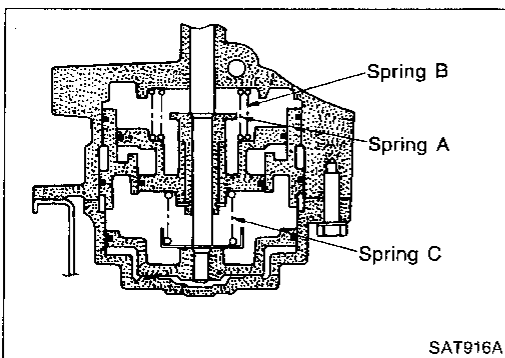
#### Return springs

- Check for deformation or damage. Measure free length and outer diameter.

#### Inspection standard:

Unit: mm (in)

Parts	Free length	Outer diameter
Spring A	45.6 (1.795)	34.3 (1.350)
Spring B	53.8 (2.118)	40.3 (1.587)
Spring C	29.7 (1.169)	27.6 (1.087)

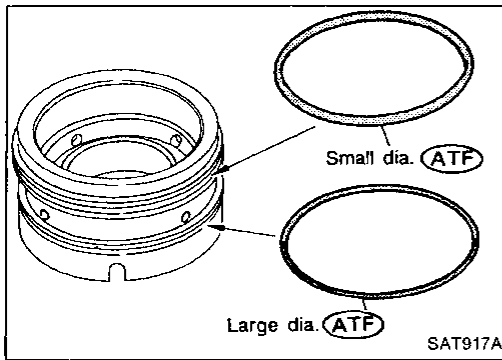


# REPAIR FOR COMPONENT PARTS

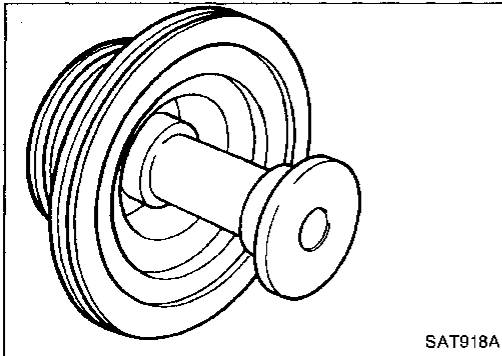
## Band Servo Piston Assembly (Cont'd)

### ASSEMBLY

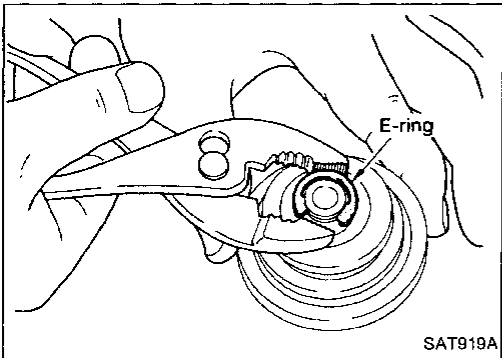
1. Install O-rings onto servo piston retainer.
  - Apply ATF to O-rings.
  - Pay attention to position of each O-ring.



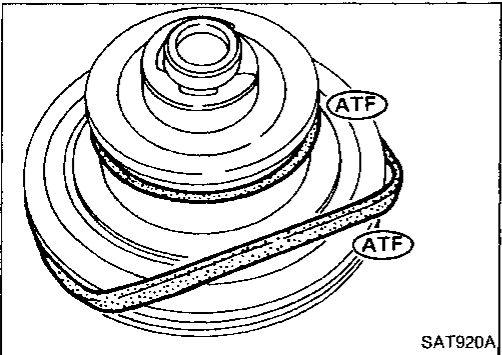
2. Install servo cushion spring retainer onto band servo piston.



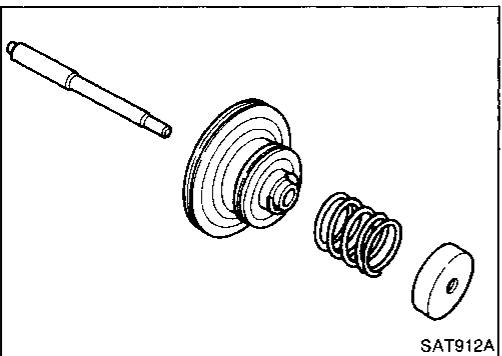
3. Install E-ring onto servo cushion spring retainer.



4. Install D-rings onto band servo piston.
  - Apply ATF to D-rings.



5. Install servo piston spring retainer, return spring C and piston stem onto band servo piston.



GI

MA

EM

LC

EF &  
EC

FE

CL

MT

AT

PD

FA

RA

BR

ST

BF

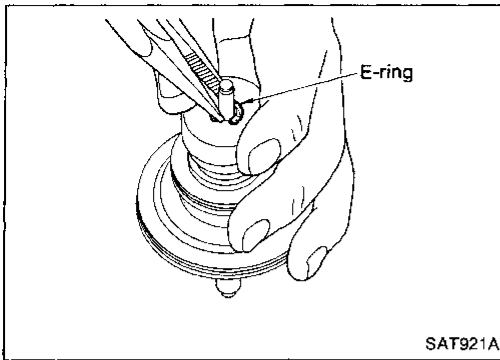
HA

EL

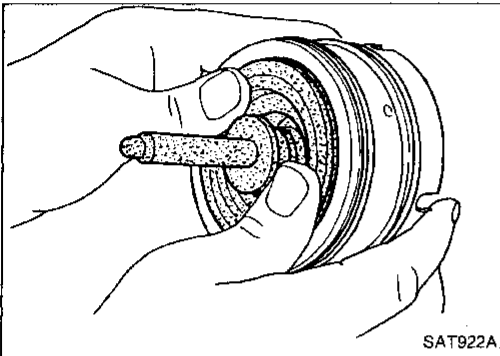
IDX

## REPAIR FOR COMPONENT PARTS

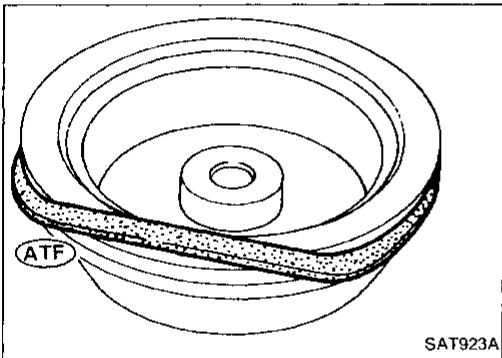
### Band Servo Piston Assembly (Cont'd)



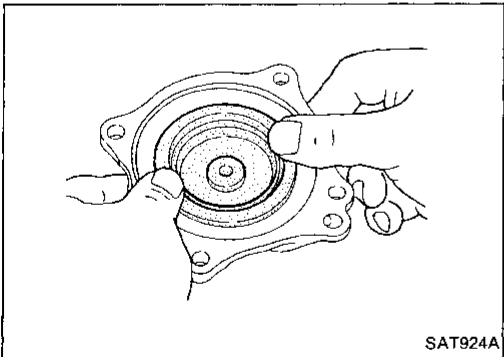
6. Place piston stem end on a wooden block. While pushing servo piston spring retainer down, install E-ring.



7. Install band servo piston assembly onto servo piston retainer by pushing it inward.

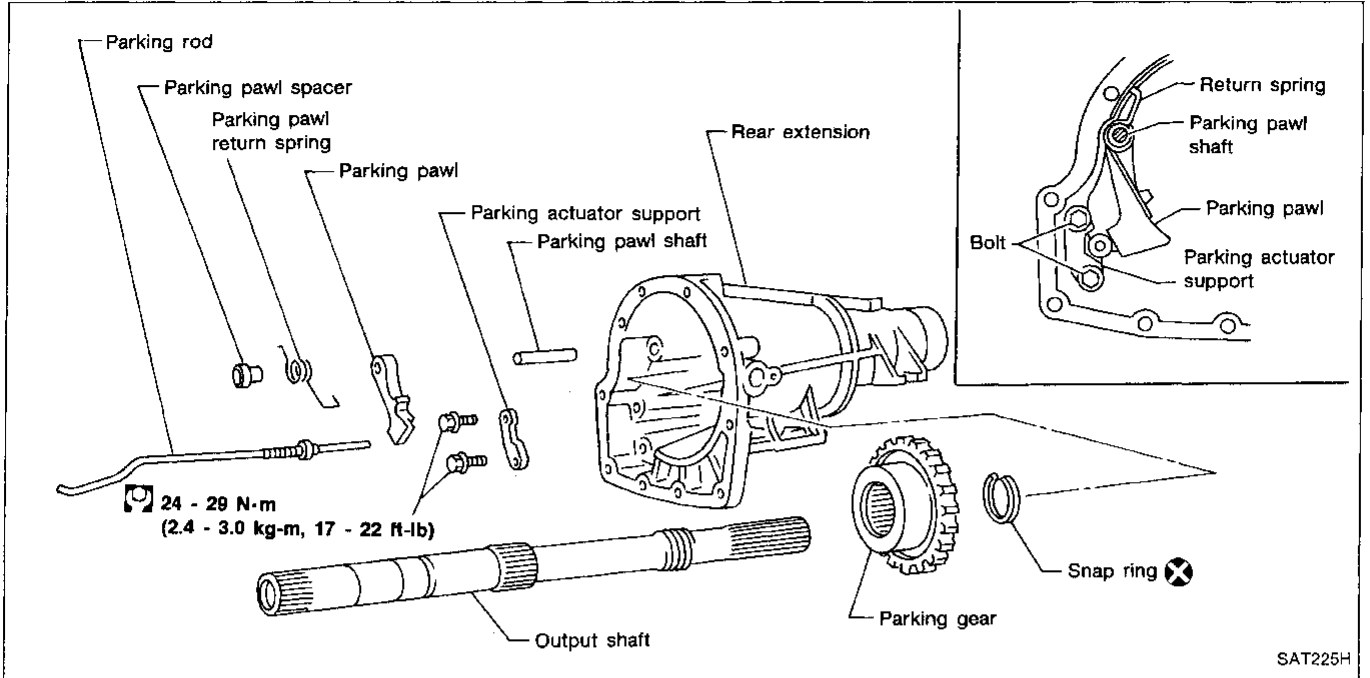


8. Install D-ring on OD band servo piston.
  - **Apply ATF to D-ring.**



9. Install OD band servo piston onto servo piston retainer by pushing it inward.

## Parking Pawl Components



GI

MA

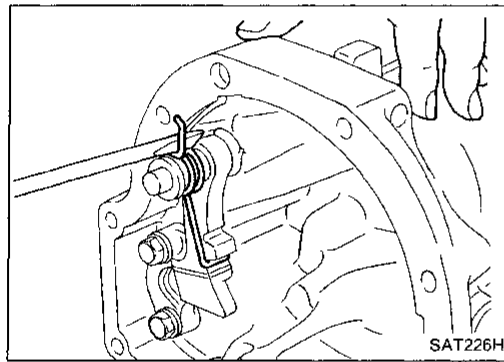
EM

LC

EF &  
EC

FE

CL



### DISASSEMBLY

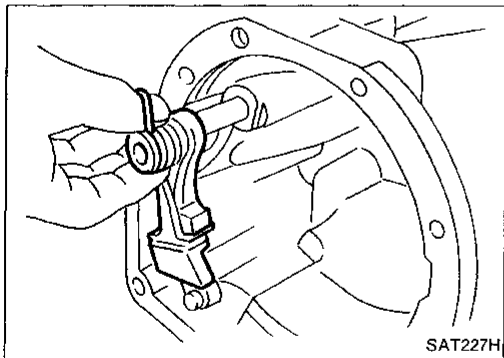
1. Slide return spring to the front of rear extension flange.

MT

AT

PD

FA



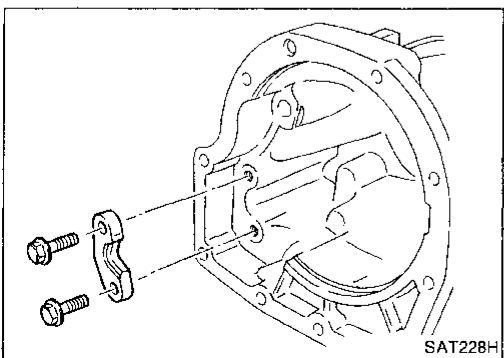
2. Remove return spring, pawl spacer and parking pawl from rear extension.
3. Remove parking pawl shaft from rear extension.

RA

BR

ST

BF



4. Remove parking actuator support from rear extension.

HA

EL

IDX

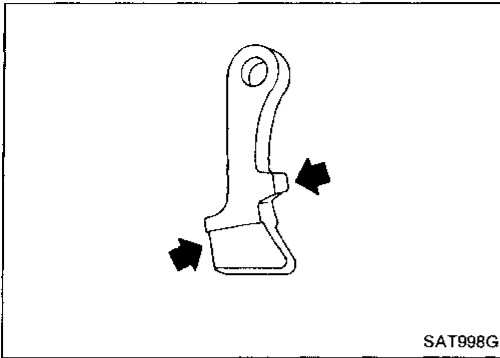
## REPAIR FOR COMPONENT PARTS

### Parking Pawl Components (Cont'd)

#### INSPECTION

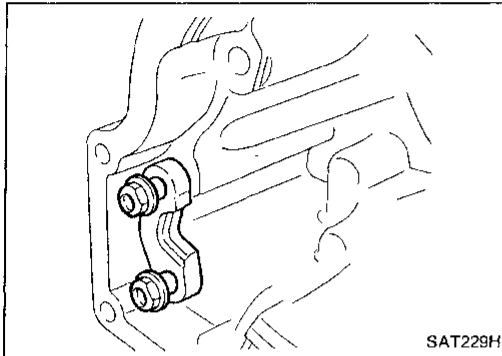
#### Parking pawl and parking actuator support

- Check contact surface of parking rod for wear.

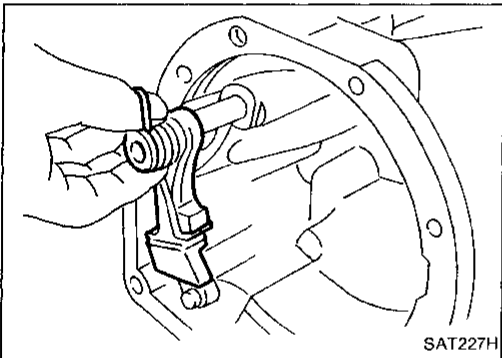


#### ASSEMBLY

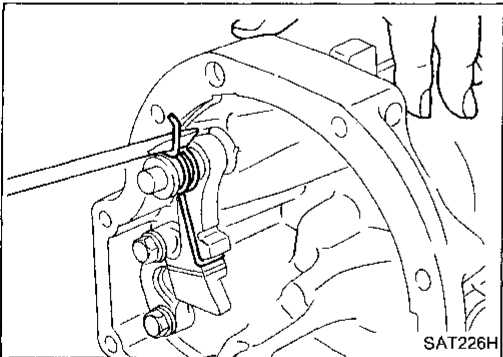
1. Install parking actuator support onto rear extension.
2. Insert parking pawl shaft into rear extension.



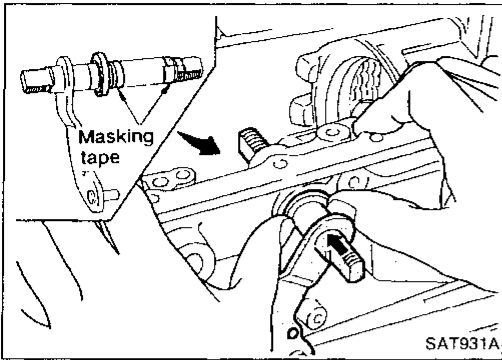
3. Install return spring, pawl spacer and parking pawl onto parking pawl shaft.



4. Bend return spring upward and install it onto rear extension.



# ASSEMBLY



## Assembly (1)

1. Install manual shaft components.
  - a. Install oil seal onto manual shaft.
    - **Apply ATF to oil seal.**
    - **Wrap threads of manual shaft with masking tape.**
  - b. Insert manual shaft and oil seal as a unit into transmission case.
  - c. Remove masking tape.

GI

MA

EM

LC

EF &  
EC

FE

CL

MT

AT

PD

FA

RA

BR

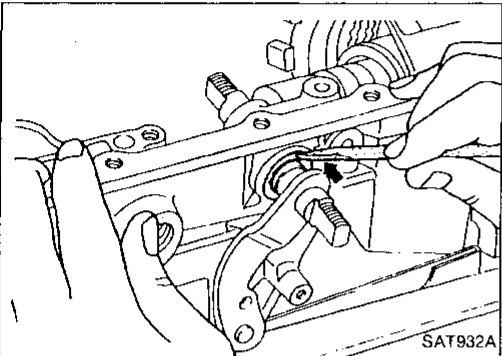
ST

BF

HA

EL

IDX



- d. Push oil seal evenly and install it onto transmission case.

LC

EF &  
EC

FE

CL

MT

AT

PD

FA

RA

BR

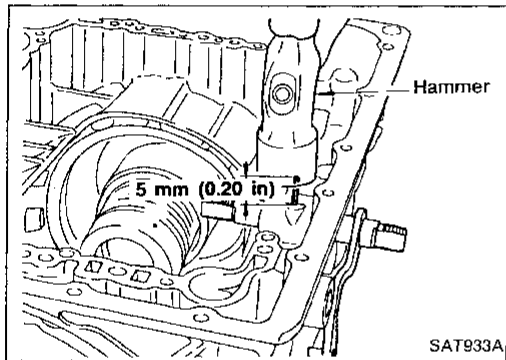
ST

BF

HA

EL

IDX



- e. Align groove in shaft with drive pin hole, then drive pin into position as shown in figure at left.

MT

AT

PD

FA

RA

BR

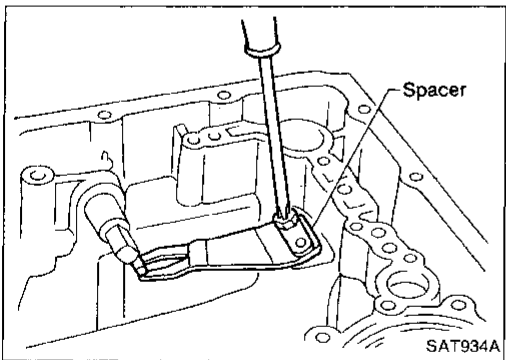
ST

BF

HA

EL

IDX



- f. Install detent spring and spacer.

RA

BR

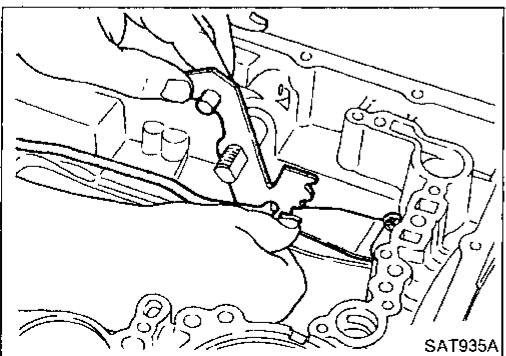
ST

BF

HA

EL

IDX



- g. While pushing detent spring down, install manual plate onto manual shaft.

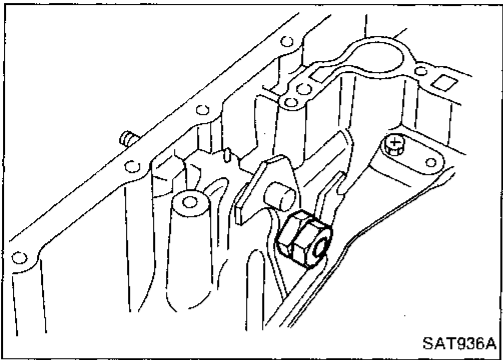
HA

EL

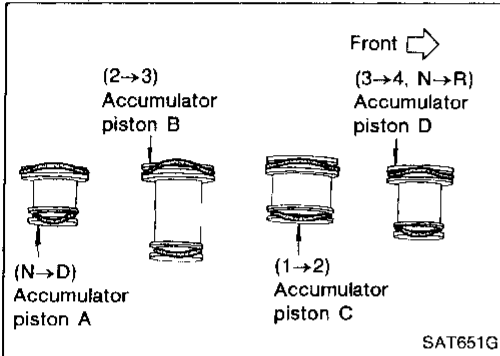
IDX

# ASSEMBLY

## Assembly (1) (Cont'd)



h. Install lock nuts onto manual shaft.

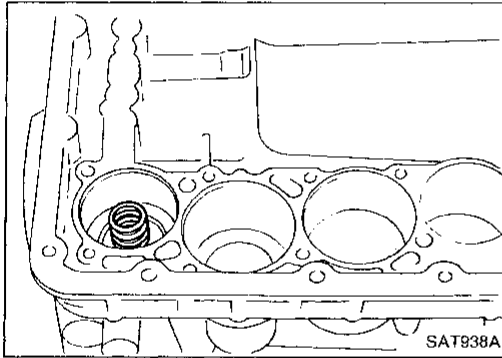


2. Install accumulator piston.  
a. Install O-rings onto accumulator piston.

● **Apply ATF to O-rings.**

**Accumulator piston O-rings:**

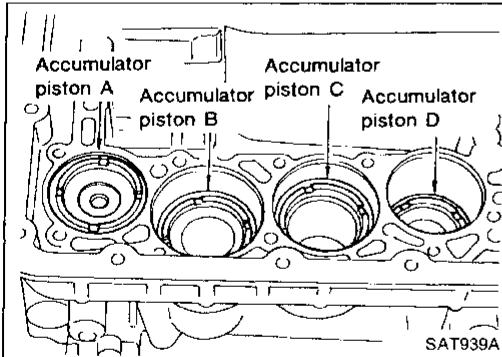
Unit: mm (in)				
Accumulator	A	B	C	D
Small diameter end	29 (1.14)	32 (1.26)	45 (1.77)	29 (1.14)
Large diameter end	45 (1.77)	50 (1.97)	50 (1.97)	45 (1.77)



b. Install return spring for accumulator A onto transmission case.

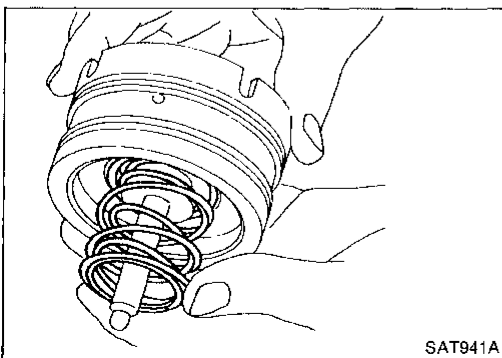
**Free length of return spring**

Unit: mm (in)	
Accumulator	A
Free length	43 (1.69)



c. Install accumulator pistons A, B, C and D.

● **Apply ATF to transmission case.**

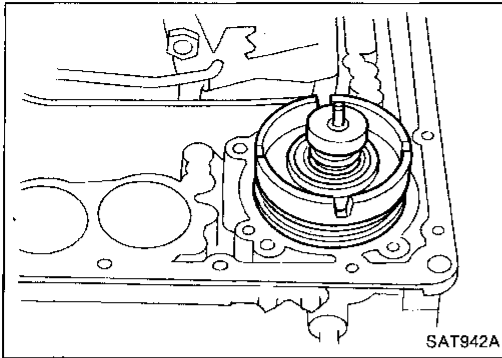


3. Install band servo piston.  
a. Install return springs onto servo piston.



# ASSEMBLY

## Assembly (1) (Cont'd)

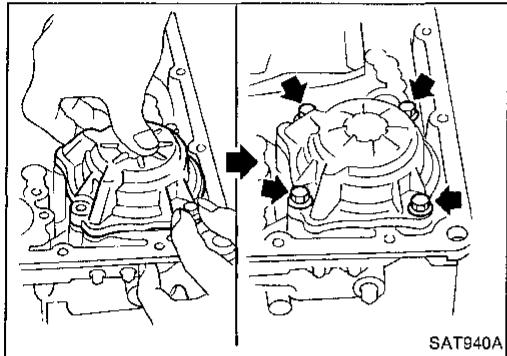


- b. Install band servo piston onto transmission case.
- Apply ATF to O-ring of band servo piston and transmission case.
- c. Install gasket for band servo onto transmission case.

GI

MA

EV



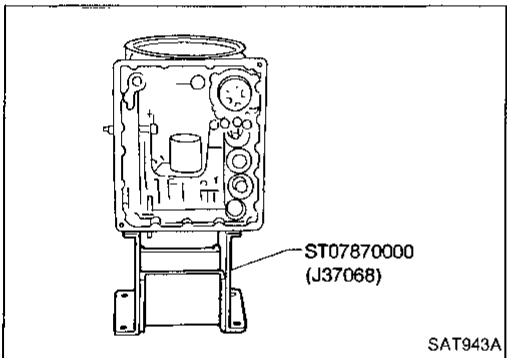
- d. Install band servo retainer onto transmission case.

LC

EF &  
EC

FE

CL



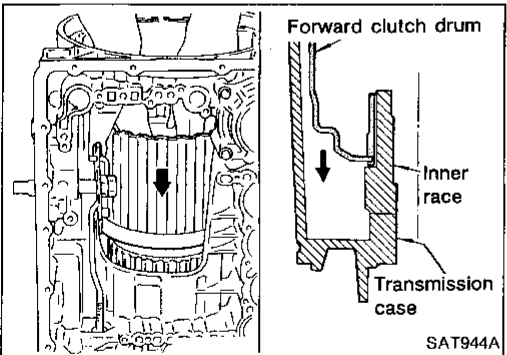
- 4. Install rear side clutch and gear components.
- a. Place transmission case in vertical position.

MT

AT

PD

FA



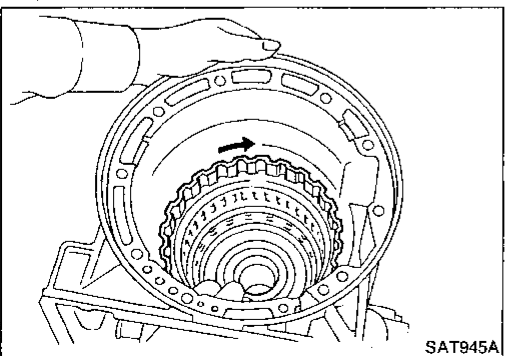
- b. Slightly lift forward clutch drum assembly and slowly rotate it clockwise until its hub passes fully over the clutch inner race inside transmission case.

RA

BR

ST

BF



- c. Check to be sure that rotation direction of forward clutch assembly is correct.

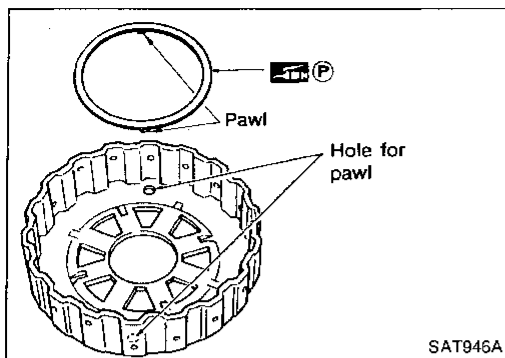
HA

EL

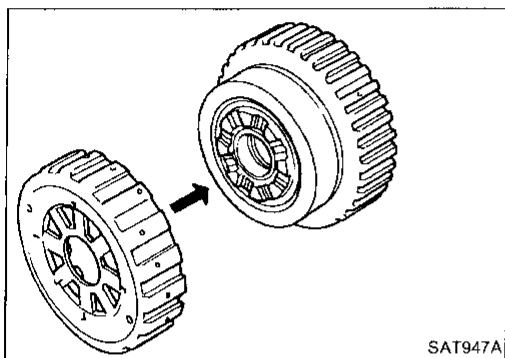
IDX

## ASSEMBLY

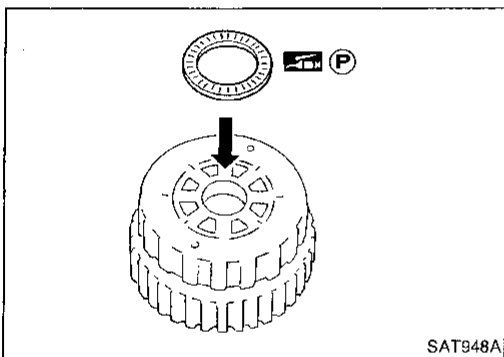
### Assembly (1) (Cont'd)



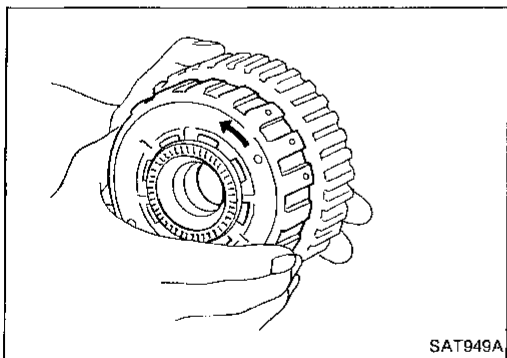
- d. Install thrust washer onto front of overrun clutch hub.
- **Apply petroleum jelly to the thrust washer.**
  - **Insert pawls of thrust washer securely into holes in overrun clutch hub.**



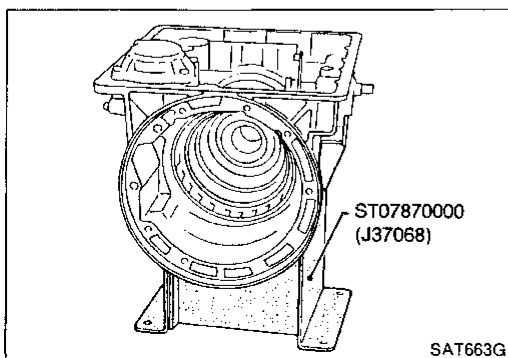
- e. Install overrun clutch hub onto rear internal gear assembly.



- f. Install needle bearing onto rear of overrun clutch hub.
- **Apply petroleum jelly to needle bearing.**



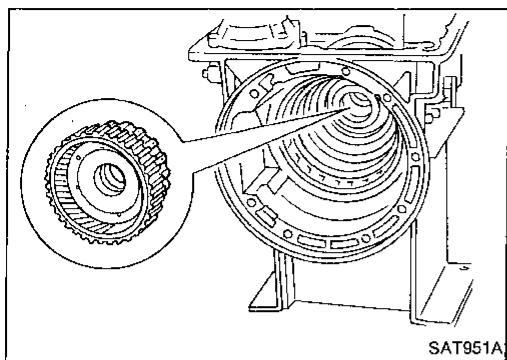
- g. Check that overrun clutch hub rotates as shown while holding forward clutch hub.



- h. Place transmission case into horizontal position.

## ASSEMBLY

### Assembly (1) (Cont'd)



- i. Install rear internal gear, forward clutch hub and overrun clutch hub as a unit onto transmission case.

GI

MA

EM

LC

EF &  
EC

FE

CL

MT

AT

PD

FA

RA

BR

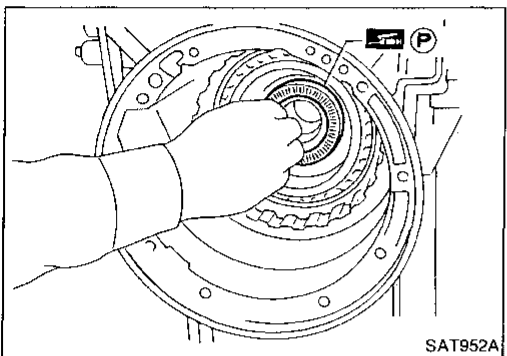
ST

BF

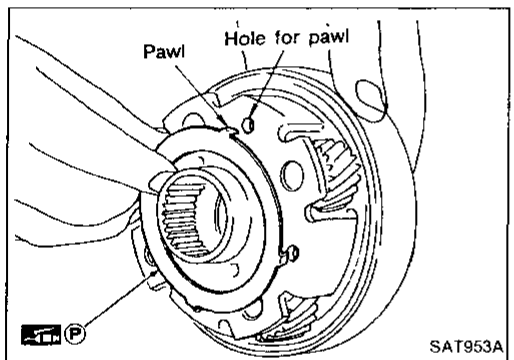
HA

EL

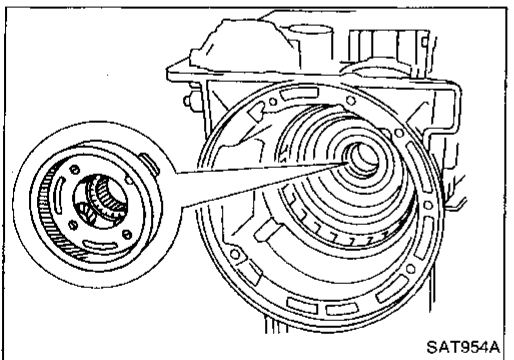
IDX



- j. Install needle bearing onto rear internal gear.  
● **Apply petroleum jelly to needle bearing.**



- k. Install bearing race onto rear of front internal gear.  
● **Apply petroleum jelly to bearing race.**  
● **Securely engage pawls of bearing race with holes in front internal gear.**

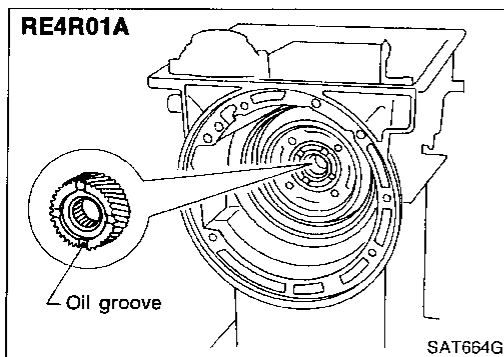


- l. Install front internal gear on transmission case.

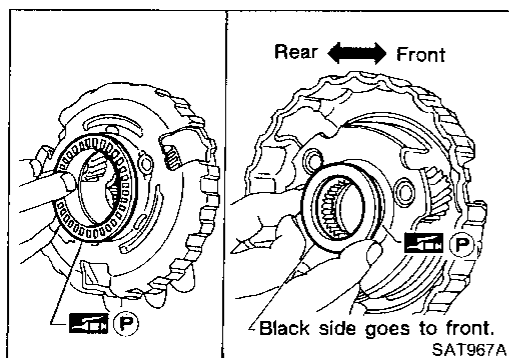
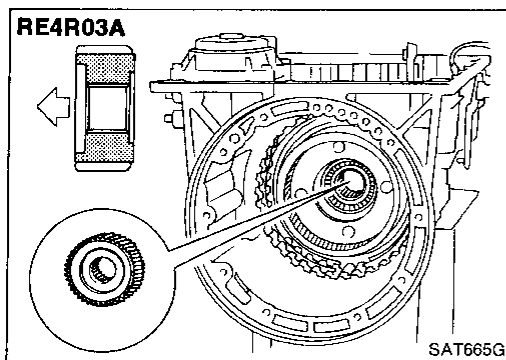
## Adjustment

When any parts listed in the following table are replaced, total end play or reverse clutch end play must be adjusted.

Part name	Total end play	Reverse clutch end play
Transmission case	●	●
Low one-way clutch inner race	●	●
Overrun clutch hub	●	●
Rear internal gear	●	●
Rear planetary carrier	●	●
Rear sun gear	●	●
Front planetary carrier	●	●
Front sun gear	●	●
High clutch hub	●	●
High clutch drum	●	●
Oil pump cover	●	●
Reverse clutch drum	—	●



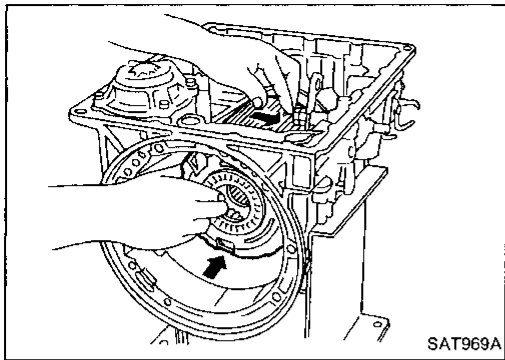
1. Install front side clutch and gear components.
  - a. Install rear sun gear on transmission case.
    - **Pay attention to its direction.**



- b. Install needle bearing on front of front planetary carrier.
  - **Apply petroleum jelly to needle bearing.**
- c. Install needle bearing on rear of front planetary carrier.
  - **Apply petroleum jelly to bearing.**
  - **Pay attention to its direction — Black side goes to front.**

# ASSEMBLY

## Adjustment (Cont'd)



- d. While rotating forward clutch drum clockwise, install front planetary carrier on forward clutch drum.

GI

MA

EM

LC

EF &  
EC

FE

CL

MT

AT

PD

FA

RA

BR

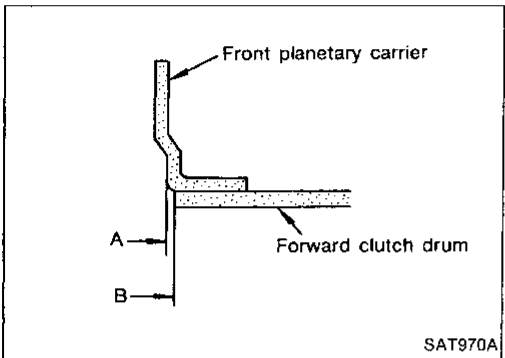
ST

BF

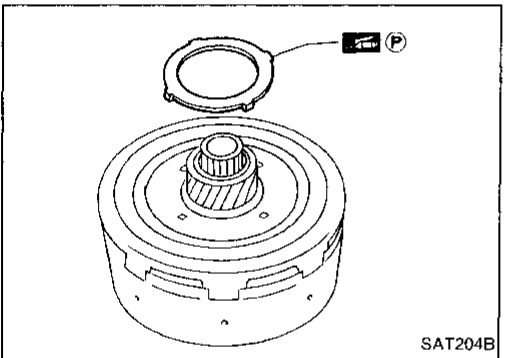
HA

EL

IDX

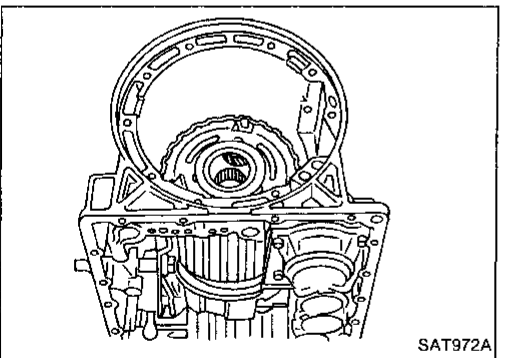


- Check that portion A of front planetary carrier protrudes approximately 2 mm (0.08 in) beyond portion B of forward clutch assembly. (RE4R01A only)

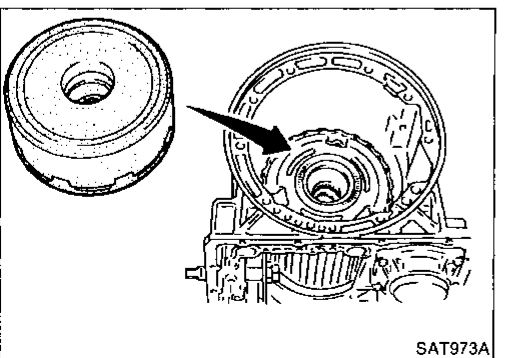


- e. Install bearing race (RE4R01A) or needle bearing (RE4R03A) on rear of clutch pack.

- Apply petroleum jelly to bearing races.
- Securely engage pawls of bearing race with hole in clutch pack.



- f. Place transmission case in vertical position.



- g. Install clutch pack into transmission case.

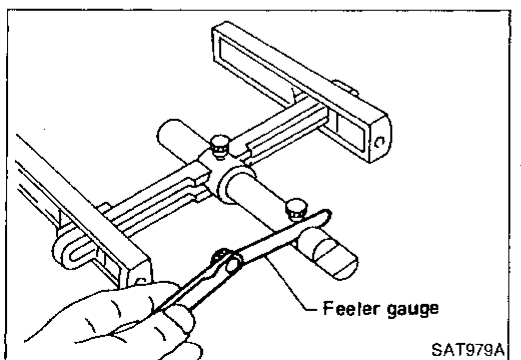
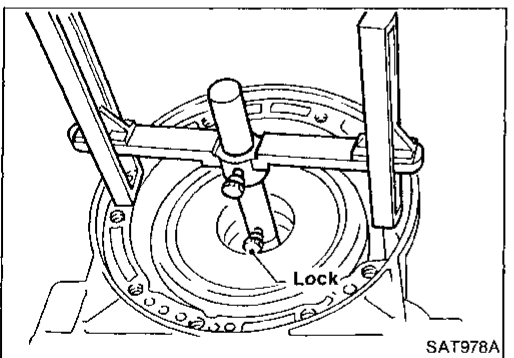
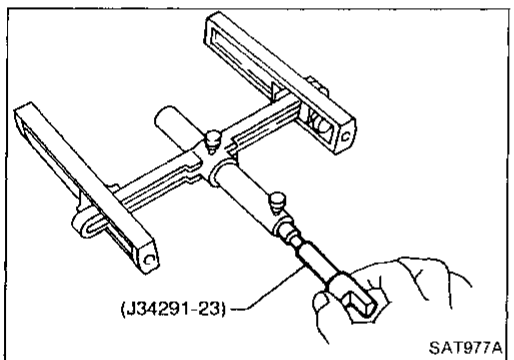
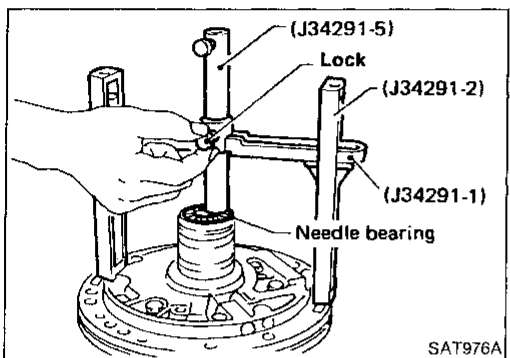
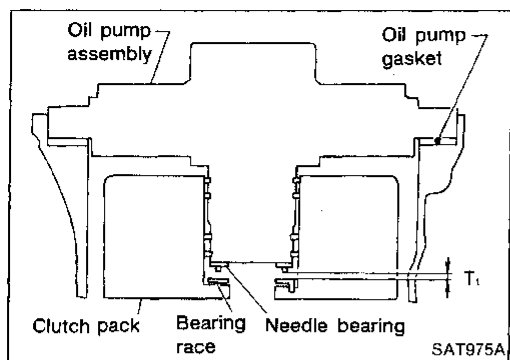
## ASSEMBLY

### Adjustment (Cont'd)

2. Adjust total end play.

**Total end play "T<sub>1</sub>":**

**0.25 - 0.55 mm (0.0098 - 0.0217 in)**



- a. With needle bearing installed, place J34291-1 (bridge), J34291-2 (legs) and the J34291-5 (gauging cylinder) onto oil pump. The long ends of legs should be placed firmly on machined surface of oil pump assembly and gauging cylinder should rest on top of the needle bearing. Lock gauging cylinder in place with set screw.

- b. Install J34291-23 (gauging plunger) into gauging cylinder.

- c. With original bearing race installed inside reverse clutch drum, place shim selecting gauge with its legs on machined surface of transmission case (no gasket) and allow gauging plunger to rest on bearing race. Lock gauging plunger in place with set screw.

- d. Remove Tool and use feeler gauge to measure gap between gauging cylinder and gauging plunger. This measurement should give exact total end play.

**Total end play "T<sub>1</sub>":**

**0.25 - 0.55 mm (0.0098 - 0.0217 in)**

- If end play is out of specification, decrease or increase thickness of oil pump cover bearing race as necessary.

**Available oil pump cover bearing race:**

**Refer to SDS, AT-189 (RE4R01A).**

**AT-193 (RE4R03A).**

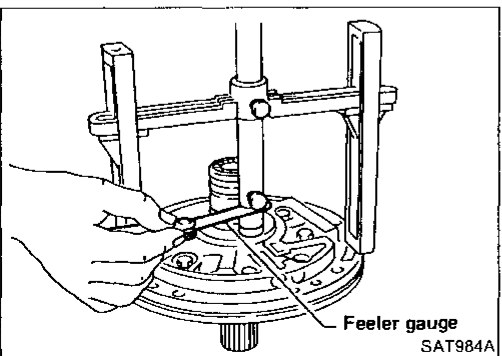
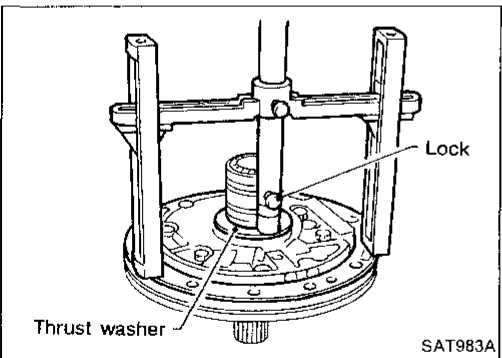
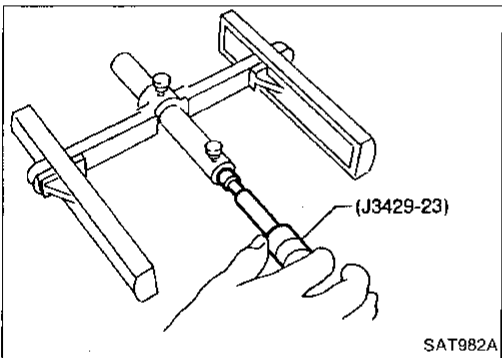
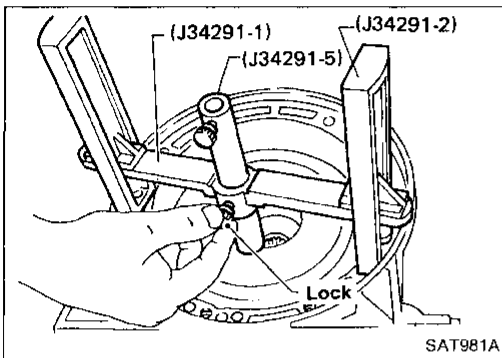
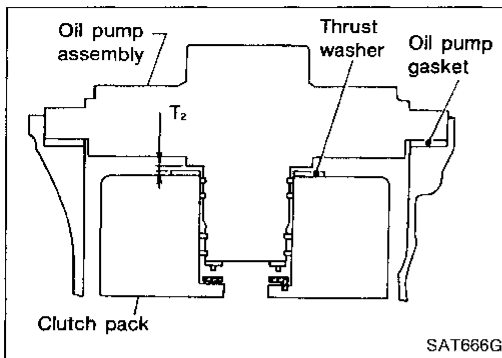
# ASSEMBLY

## Adjustment (Cont'd)

3. Adjust reverse clutch drum end play.

**Reverse clutch drum end play "T<sub>2</sub>":**

**0.55 - 0.90 mm (0.0217 - 0.0354 in)**



a. Place J34291-1 (bridge), J34291-2 (legs) and J34291-5 (gauging cylinder) on machined surface of transmission case (no gasket) and allow gauging cylinder to rest on front thrust surface of reverse clutch drum. Lock cylinder in place with set screw.

b. Install J34291-23 (gauging plunger) into gauging cylinder.

c. With original thrust washer installed on oil pump, place shim setting gauge legs onto machined surface of oil pump assembly and allow gauging plunger to rest on thrust washer. Lock plunger in place with set screw.

d. Use feeler gauge to measure gap between gauging plunger and gauging cylinder. This measurement should give you exact reverse clutch drum end play.

**Reverse clutch drum end play "T<sub>2</sub>":**

**0.55 - 0.90 mm (0.0217 - 0.0354 in)**

● If end play is out of specification, decrease or increase thickness of oil pump thrust washer as necessary.

**Available oil pump thrust washer:**

**Refer to SDS, AT-189 (RE4R01A).**

**AT-193 (RE4R03A).**

GI

MA

EM

IC

EF &  
EC

FE

CI

WT

**AT**

PD

FA

RA

BR

ST

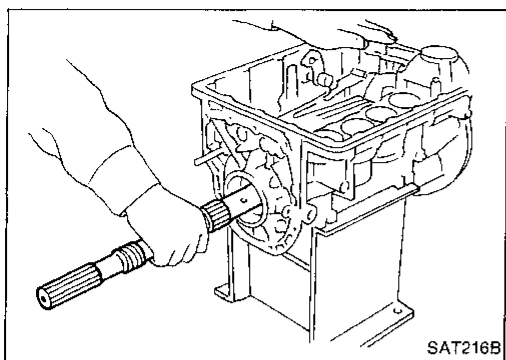
BF

HA

EL

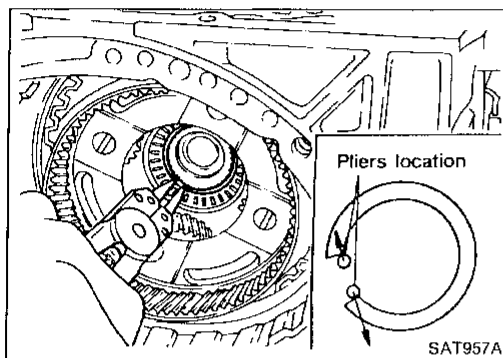
IDX

## ASSEMBLY

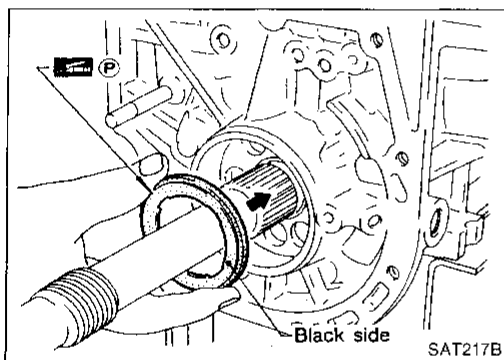


### Assembly (2)

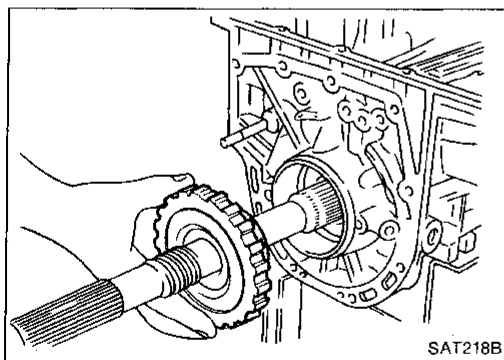
1. Install output shaft and parking gear.
    - a. Insert output shaft from rear of transmission case while slightly lifting front internal gear.
- **Do not force output shaft against front of transmission case.**



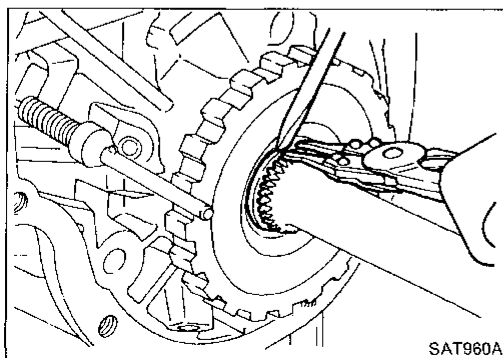
- b. Carefully push output shaft against front of transmission case. Install snap ring on front of output shaft.
- **Check to be sure output shaft cannot be removed in rear direction.**



- c. Install needle bearing on transmission case.
- **Pay attention to its direction — Black side goes to rear.**
  - **Apply petroleum jelly to needle bearing.**



- d. Install parking gear on transmission case.

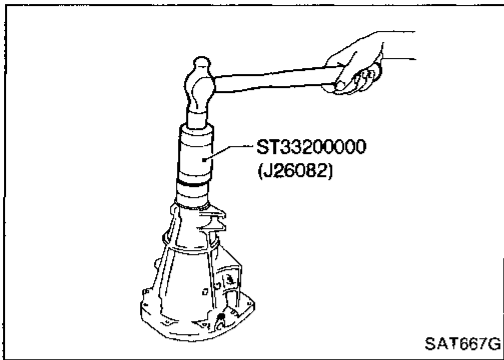


- e. Install snap ring on rear of output shaft.
- **Check to be sure output shaft cannot be removed in forward direction.**



# ASSEMBLY

## Assembly (2) (Cont'd)



2. Install rear extension.
  - a. Install oil seal on rear extension.
    - **Apply ATF to oil seal.**

GI

MA

EM

LC

EF &  
EG

FE

CL

MT

**AT**

PD

FA

RA

BR

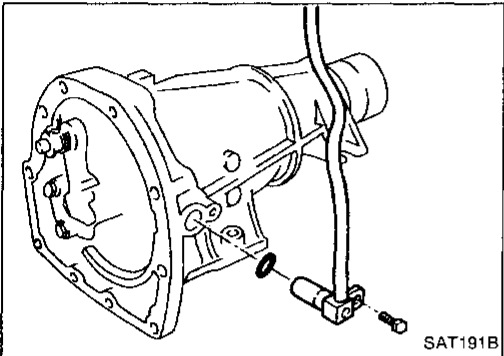
ST

BF

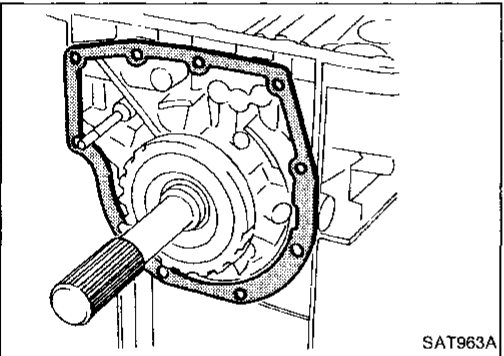
HA

EL

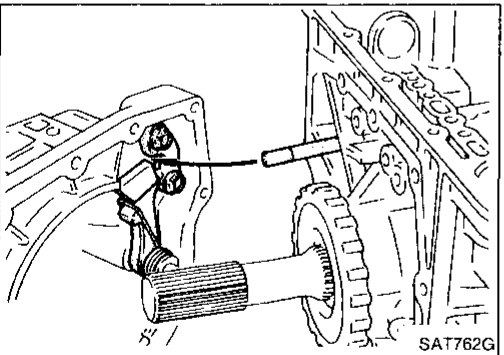
IDX



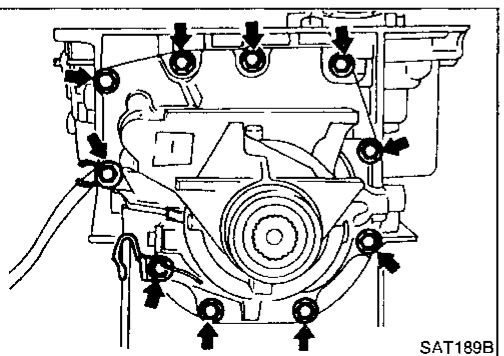
- b. Install O-ring on revolution sensor.
  - **Apply ATF to O-ring.**
- c. Install revolution sensor on rear extension.



- d. Install rear extension gasket on transmission case.



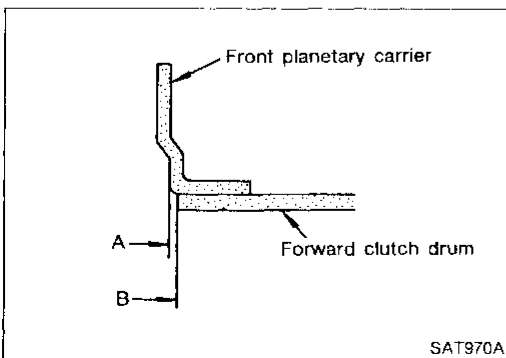
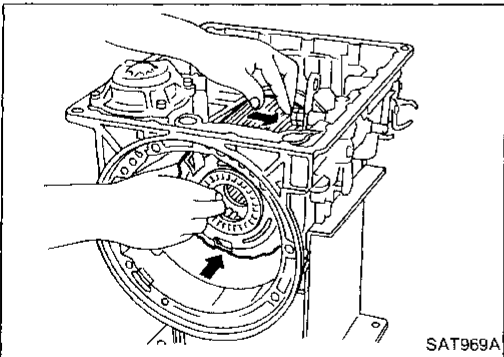
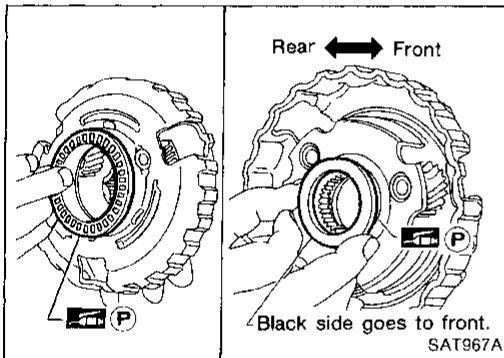
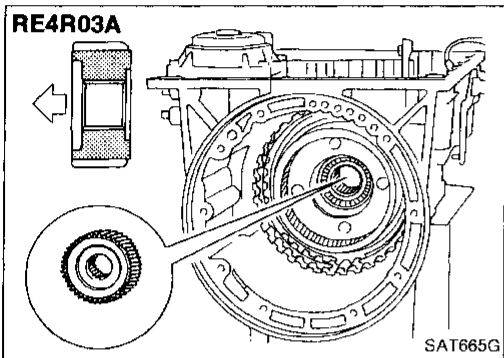
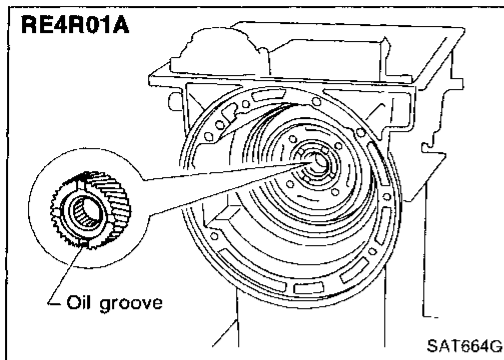
- e. Install parking rod on transmission case.



- f. Install rear extension on transmission case.

## ASSEMBLY

### Assembly (2) (Cont'd)



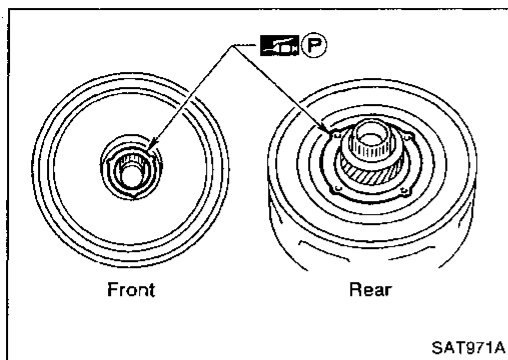
3. Install front side clutch and gear components.
  - a. Install rear sun gear on transmission case.
    - Pay attention to its direction.

- b. Make sure needle bearing is on front of front planetary carrier.
  - Apply petroleum jelly to needle bearing.
- c. Make sure needle bearing is on rear of front planetary carrier.
  - Apply petroleum jelly to bearing.
  - Pay attention to its direction — Black side goes to front.
- d. While rotating forward clutch drum clockwise, install front planetary carrier on forward clutch drum.

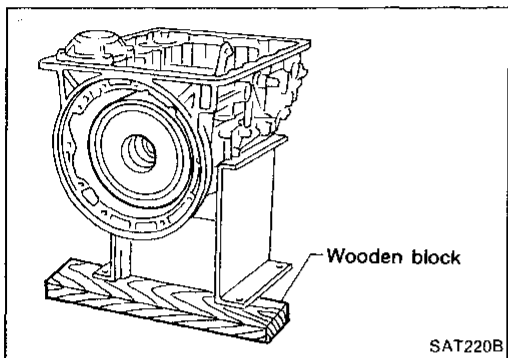
- Check that portion A of front planetary carrier protrudes approximately 2 mm (0.08 in) beyond portion B of forward clutch assembly. (RE4R01A only)

# ASSEMBLY

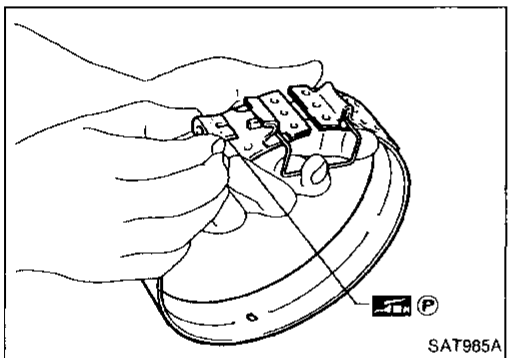
## Assembly (2) (Cont'd)



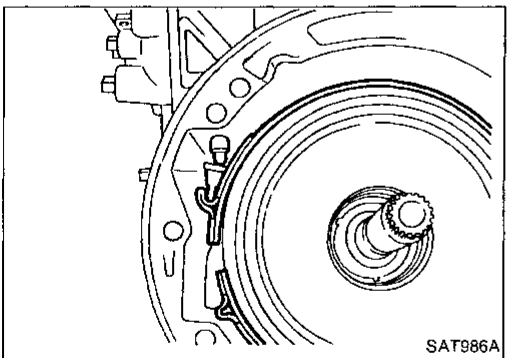
- e. Make sure bearing race (RE4R01A) or needle bearing (RE4R03A) are on front and rear of clutch pack.
- Apply petroleum jelly to bearing races.
  - Securely engage pawls of bearing races with holes in clutch pack.



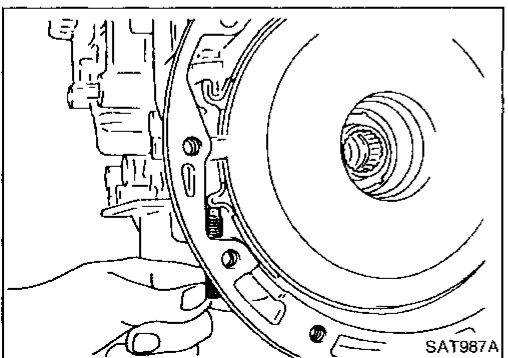
- f. Install clutch pack into transmission case.



4. Install brake band and band strut.
- a. Install band strut on brake band.
- Apply petroleum jelly to band strut.



- b. Place brake band on periphery of reverse clutch drum, and insert band strut into end of band servo piston stem.



- c. Install anchor end bolt on transmission case. Then, tighten anchor end bolt just enough so that reverse clutch drum (clutch pack) will not tilt forward.

GI

MA

EM

LC

EF &  
EC

FE

CL

MT

AT

PD

FA

RA

BR

ST

BF

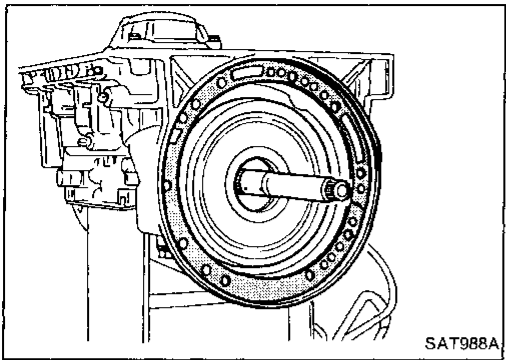
HA

EL

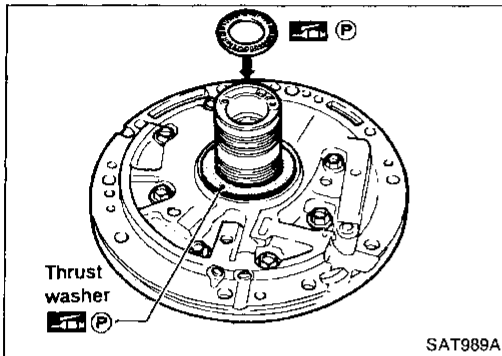
IDX

## ASSEMBLY

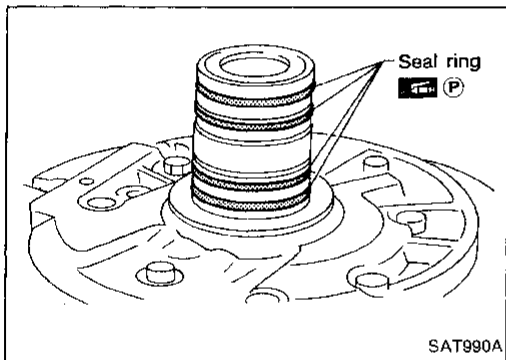
### Assembly (2) (Cont'd)



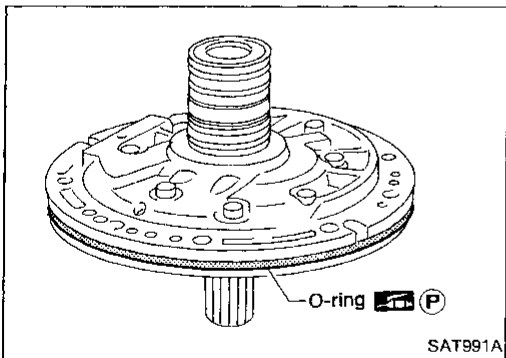
5. Install input shaft on transmission case.
  - **Pay attention to its direction — O-ring groove side is front.**
6. Install gasket on transmission case.



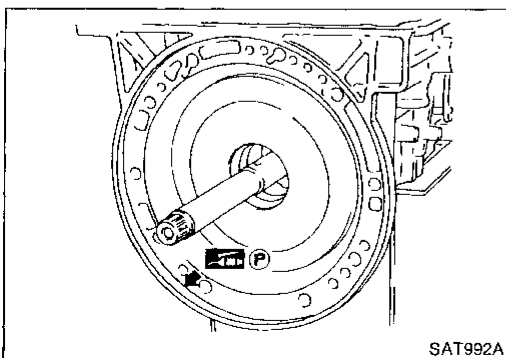
7. Install oil pump assembly.
  - a. Install needle bearing on oil pump assembly.
    - **Apply petroleum jelly to the needle bearing.**
  - b. Install selected thrust washer on oil pump assembly.
    - **Apply petroleum jelly to thrust washer.**



- c. Carefully install seal rings into grooves and press them into the petroleum jelly so that they are a tight fit.



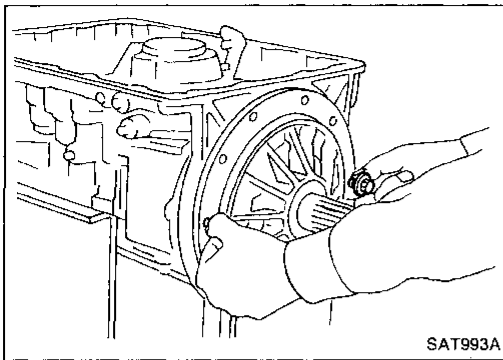
- d. Install O-ring on oil pump assembly.
  - **Apply petroleum jelly to O-ring.**



- e. Apply petroleum jelly to mating surface of transmission case and oil pump assembly.

# ASSEMBLY

## Assembly (2) (Cont'd)



- f. Install oil pump assembly.
- Install two converter housing securing bolts in bolt holes in oil pump assembly as guides.

GI

MA

EM

LC

EF &  
EC

FE

CL

MT

AT

PD

FA

RA

BR

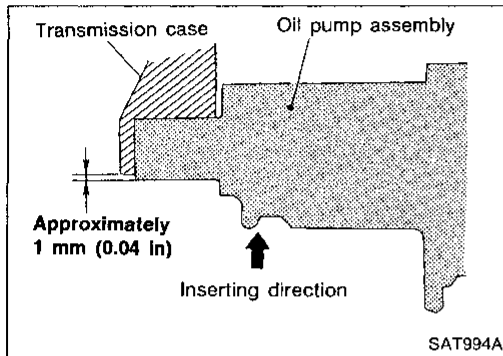
ST

BF

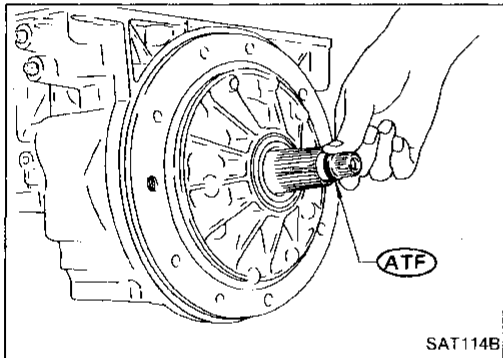
HA

EL

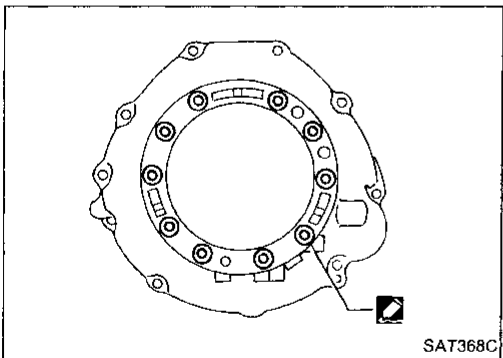
IDX



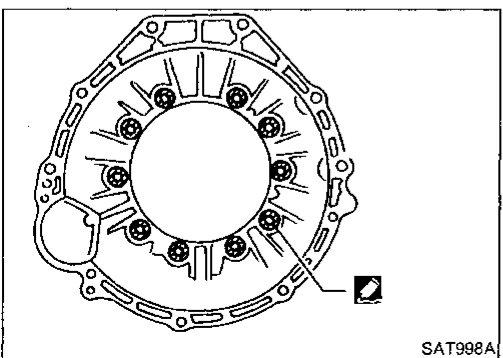
- Insert oil pump assembly to the specified position in transmission, as shown at left.



8. Install O-ring on input shaft.
- Apply ATF to O-rings.



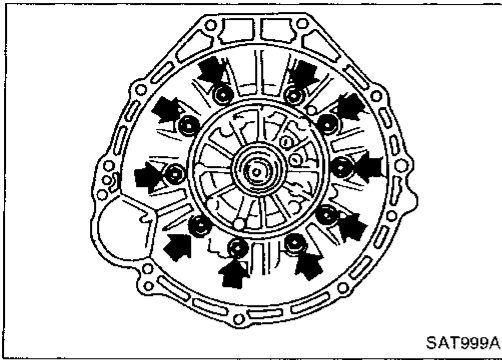
9. Install converter housing.
- a. Apply recommended sealant (Nissan genuine part: KP610-00250 or equivalent) to outer periphery of bolt holes in converter housing.
- Do not apply too much sealant.



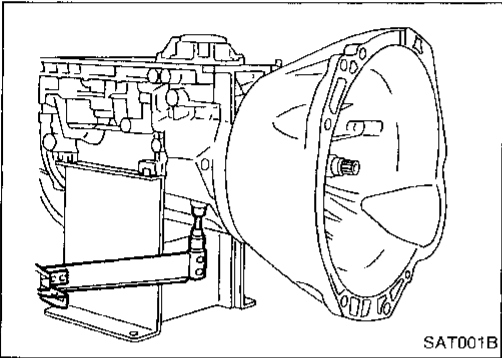
- b. Apply recommended sealant (Nissan genuine part: KP610-00250 or equivalent) to seating surfaces of bolts that secure front of converter housing.

## ASSEMBLY

### Assembly (2) (Cont'd)



- c. Install converter housing on transmission case.



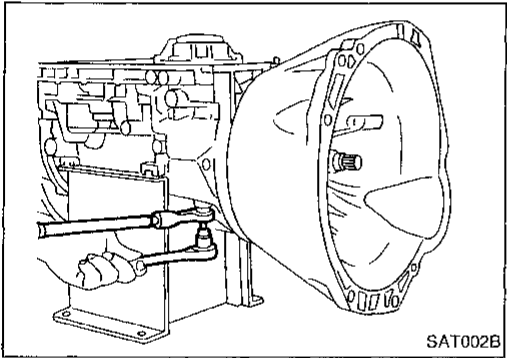
10. Adjust brake band.  
a. Tighten anchor end bolt to specified torque.

**Anchor end bolt:**

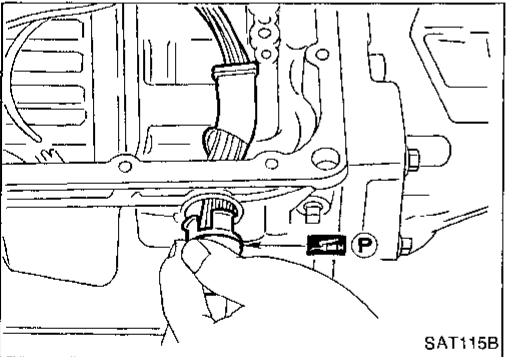
: 4 - 6 N·m

(0.4 - 0.6 kg-m, 2.9 - 4.3 ft-lb)

- b. Back off anchor end bolt two and a half turns.



- c. While holding anchor end pin, tighten lock nut.

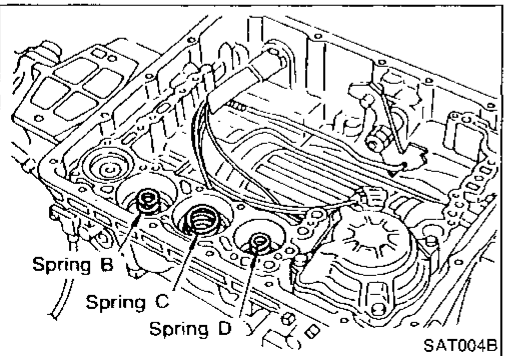


11. Install terminal cord assembly.

- a. Install O-ring on terminal cord assembly.

● **Apply petroleum jelly to O-ring.**

- b. Compress terminal cord assembly stopper and install terminal cord assembly on transmission case.



12. Install control valve assembly.

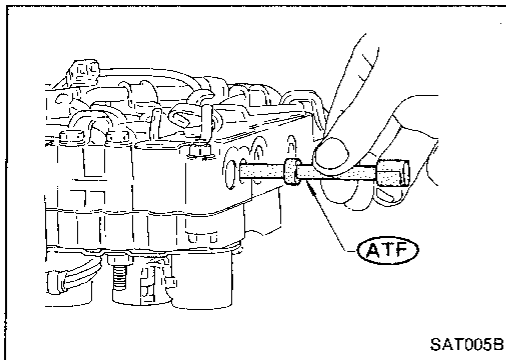
- a. Install accumulator piston return springs B, C and D.

**Free length of return springs:**

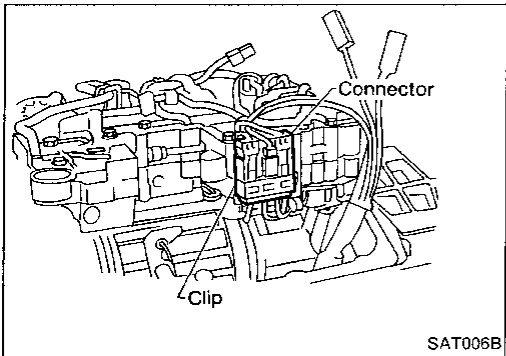
Unit: mm (in)			
Accumulator	B	C	D
Free length	66 (2.60)	45 (1.77)	58.4 (2.299)

# ASSEMBLY

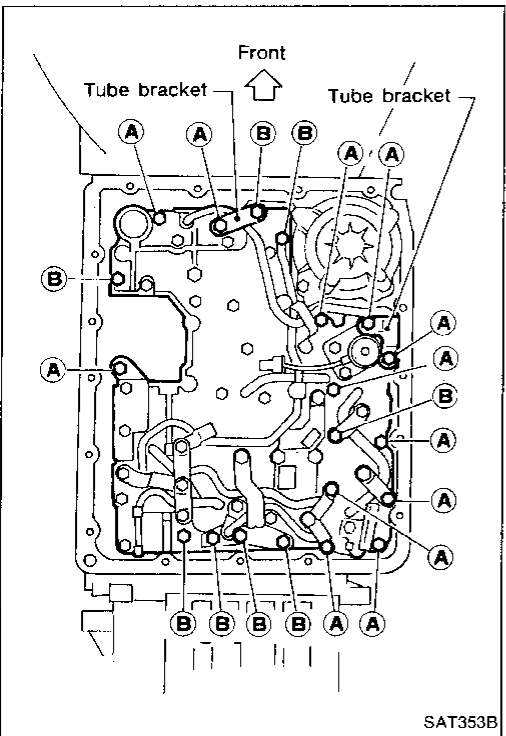
## Assembly (2) (Cont'd)



- b. Install manual valve on control valve.
- **Apply ATF to manual valve.**



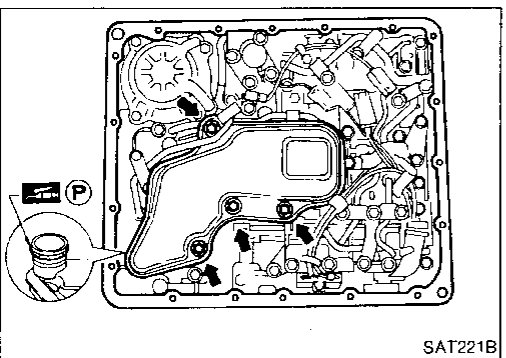
- c. Place control valve assembly on transmission case. Connect solenoid connector for upper body.
- d. Install connector clip.



- e. Install control valve assembly on transmission case.
- f. Install connector tube brackets and tighten bolts **(A)** and **(B)**.

- **Check that terminal assembly harness does not catch.**

Bolt symbol	ℓ mm (in)	ℓ
<b>(A)</b>	33 (1.30)	
<b>(B)</b>	45 (1.77)	



- g. Install O-ring on oil strainer.
- **Apply petroleum jelly to O-ring.**
- h. Install oil strainer on control valve.

GI

MA

EM

LC

EF &  
EC

FE

CL

MT

AT

PD

FA

RA

BR

ST

BF

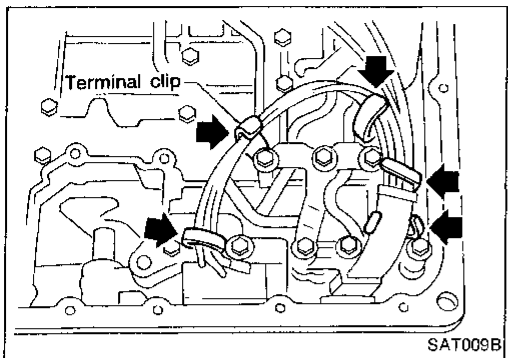
HA

EL

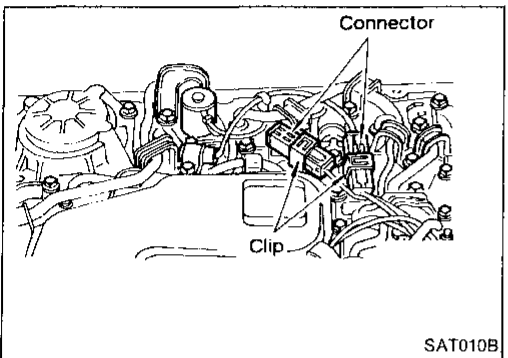
IDX

## ASSEMBLY

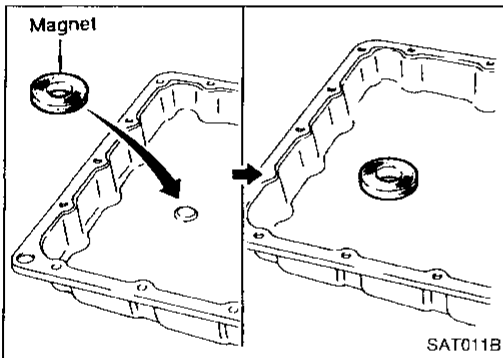
### Assembly (2) (Cont'd)



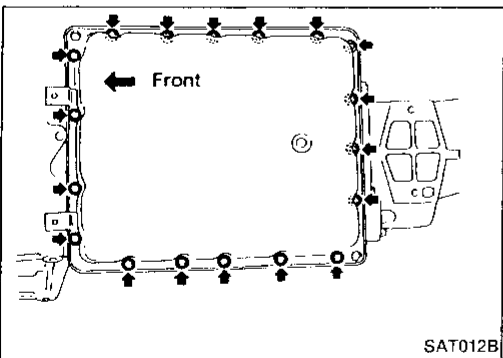
- i. Securely fasten terminal harness with clips.



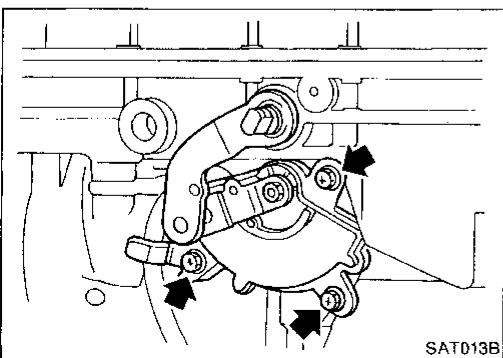
- j. Install torque converter clutch solenoid valve and fluid temperature sensor connectors.



13. Install oil pan.
  - a. Attach a magnet to oil pan.



- b. Install new oil pan gasket on transmission case.
- c. Install oil pan and bracket on transmission case.
  - **Always replace oil pan bolts as they are self-sealing bolts.**
  - **Before installing bolts, remove traces of sealant and oil from mating surface and thread holes.**
  - **Tighten four bolts in a criss-cross pattern to prevent dislocation of gasket.**
- d. Tighten drain plug.

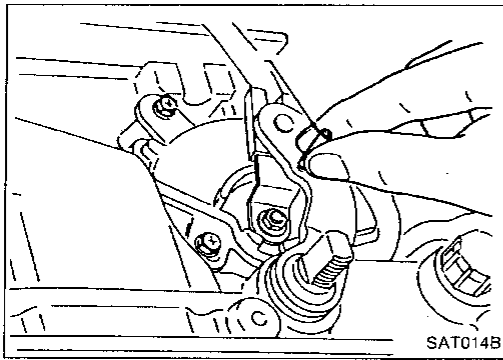


14. Install inhibitor switch.
  - a. Check that manual shaft is in "1" position.
  - b. Temporarily install inhibitor switch on manual shaft.
  - c. Move manual shaft to "N".



## ASSEMBLY

### Assembly (2) (Cont'd)



- d. Tighten bolts while inserting 4.0 mm (0.157 in) dia. pin vertically into locating holes in inhibitor switch and manual shaft.

GI

MA

EM

LC

EF &  
EC

FE

CL

MT

AT

PD

FA

RA

BR

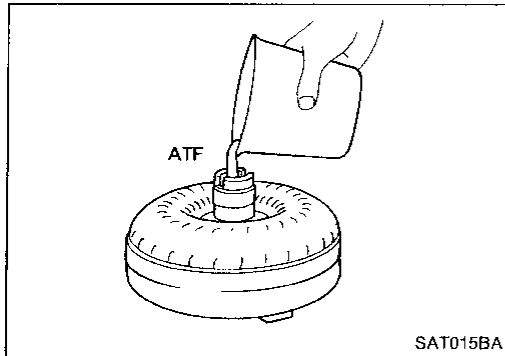
ST

BF

HA

EL

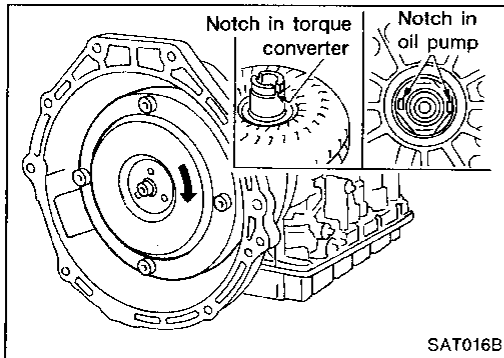
IDX



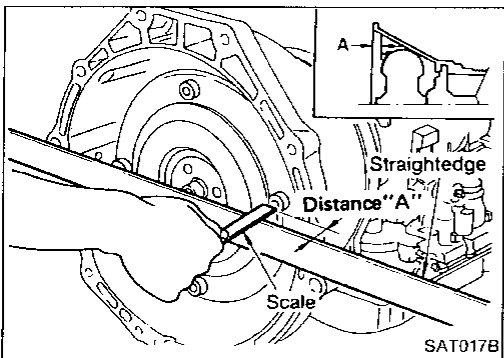
15. Install torque converter.

- a. Pour ATF into torque converter.

- Approximately 2 liters (2-1/8 US qt, 1-3/4 Imp qt) of fluid are required for a new torque converter.
- When reusing old torque converter, add the same amount of fluid as was drained.



- b. Install torque converter while aligning notches and oil pump.



- c. Measure distance A to check that torque converter is in proper position.

Distance "A":

RE4R01A

26.0 mm (1.024 in) or more

RE4R03A

25.0 mm (0.984 in) or more

# SERVICE DATA AND SPECIFICATIONS (SDS)

## General Specifications

Engine	VG30DE	VG30DETT
Automatic transmission model	RE4R01A	RE4R03A
Transmission model code number	45 x 80	51 x 70
Stall torque ratio	2.0 : 1	
Transmission gear ratio		
1st	2.785	2.784
2nd	1.545	1.544
Top	1.000	1.000
OD	0.694	0.694
Reverse	2.272	2.275
Recommended oil	Genuine Nissan ATF or equivalent Type DEXRON <sup>TM</sup> II	
Oil capacity ℓ (US qt, Imp qt)	8.3 (8-3/4, 7-1/4)	8.2 (8-5/8, 7-1/4)

## Specifications and Adjustment — RE4R01A

### VEHICLE SPEED WHEN SHIFTING GEARS

Throttle position	Vehicle speed km/h (MPH)					
	D <sub>1</sub> → D <sub>2</sub>	D <sub>2</sub> → D <sub>3</sub>	D <sub>3</sub> → D <sub>4</sub>	D <sub>4</sub> → D <sub>3</sub>	D <sub>3</sub> → D <sub>2</sub>	D <sub>2</sub> → D <sub>1</sub>
Full throttle	60 - 64 (37 - 40)	107 - 115 (66 - 71)	166 - 176 (103 - 109)	161 - 169 (100 - 105)	96 - 104 (60 - 65)	44 - 48 (27 - 30)
Half throttle	45 - 49 (28 - 30)	83 - 89 (52 - 55)	119 - 127 (74 - 79)	80 - 88 (50 - 55)	33 - 39 (21 - 24)	10 - 14 (6 - 9)

### VEHICLE SPEED WHEN PERFORMING AND RELEASING LOCK-UP

Throttle position	OD switch [Shift position]	Vehicle speed km/h (MPH)	
		Lock-up "ON"	Lock-up "OFF"
Full throttle	ON [D <sub>4</sub> ]	167 - 175 (104 - 109)	161 - 169 (100 - 105)
	OFF [D <sub>3</sub> ]	107 - 115 (66 - 71)	96 - 104 (60 - 65)
Half throttle	ON [D <sub>4</sub> ]	120 - 128 (75 - 80)	84 - 92 (52 - 57)
	OFF [D <sub>3</sub> ]	91 - 99 (57 - 62)	86 - 94 (53 - 58)

### STALL REVOLUTION

Stall revolution rpm
2,450 - 2,650

### LINE PRESSURE

Engine speed rpm	Line pressure kPa (kg/cm <sup>2</sup> , psi)	
	D, 2 and 1 positions	R position
Idle	422 - 461 (4.3 - 4.7, 61 - 67)	667 - 706 (6.8 - 7.2, 97 - 102)
Stall	1,020 - 1,098 (10.4 - 11.2, 148 - 159)	1,422 - 1,500 (14.5 - 15.3, 206 - 218)

# SERVICE DATA AND SPECIFICATIONS (SDS)

## Specifications and Adjustment — RE4R01A (Cont'd)

### RETURN SPRINGS

Unit: mm (in)

Parts		Part No.	Free length	Outer diameter		
Control valve	Upper body	Torque converter relief valve spring	31742-41X23	38.0 (1.496)	9.0 (0.354)	GI
		Pressure regulator valve spring	31742-41X24	44.02 (1.7331)	14.0 (0.551)	
		Pressure modifier valve spring	31742-41X19	31.95 (1.2579)	6.8 (0.268)	MA
		Shuttle shift valve D spring	31762-41X00	26.5 (1.043)	6.0 (0.236)	
		4-2 sequence valve spring	31756-41X00	29.1 (1.146)	6.95 (0.2736)	EM
		Shift valve B spring	31762-41X01	25.0 (0.984)	7.0 (0.276)	
		4-2 relay valve spring	31756-41X00	29.1 (1.146)	6.95 (0.2736)	LC
		Shift valve A spring	31762-41X01	25.0 (0.984)	7.0 (0.276)	
		Overrun clutch control valve spring	31762-41X03	23.6 (0.929)	7.0 (0.276)	EF & EC
		Overrun clutch reducing valve spring	31742-41X20	32.5 (1.280)	7.0 (0.276)	
		Shuttle shift valve S spring	31762-41X04	51.0 (2.008)	5.65 (0.2224)	
		Pilot valve spring	31742-41X13	25.7 (1.012)	9.1 (0.358)	FE
		Lock-up control valve spring	31742-41X22	18.5 (0.728)	13.0 (0.512)	
		Control valve	Lower body	Modifier accumulator piston spring	31742-27X70	31.4 (1.236)
1st reducing valve spring	31756-41X05			25.4 (1.000)	6.75 (0.2657)	
3-2 timing valve spring	31742-41X08			20.55 (0.8091)	6.75 (0.2657)	
Servo charger valve spring	31742-41X06			23.0 (0.906)	6.7 (0.264)	MT
Reverse clutch	16 pcs	31505-41X02	19.69 (0.7752)	11.6 (0.457)		
High clutch	16 pcs	31505-21X03	22.06 (0.8685)	11.6 (0.457)	AT	
Forward clutch (Overrun clutch)	20 pcs	31505-41X01	35.77 (1.4083)	9.7 (0.382)		
Low & reverse brake	18 pcs	31521-21X00	23.7 (0.933)	11.6 (0.457)	PD	
Band servo	Spring A	31605-41X05	45.6 (1.795)	34.3 (1.350)	FA	
	Spring B	31605-41X00	53.8 (2.118)	40.3 (1.587)		
	Spring C	31605-41X01	29.7 (1.169)	27.6 (1.087)		
Accumulator	Accumulator A	31605-41X02	43.0 (1.693)	—	RA	
	Accumulator B	31605-41X10	66.0 (2.598)	—		
	Accumulator C	31605-51X01	45.0 (1.772)	—	BR	
	Accumulator D	31605-41X06	58.4 (2.299)	—		

GI  
MA  
EM  
LC  
EF & EC  
FE  
CL  
MT  
AT  
PD  
FA  
RA  
BR  
ST  
BF  
HA  
EL  
IDX

# SERVICE DATA AND SPECIFICATIONS (SDS)

## Specifications and Adjustment — RE4R01A (Cont'd)

### ACCUMULATOR O-RINGS

Accumulator	Diameter mm (in)			
	A	B	C	D
Small diameter end	29 (1.14)	32 (1.26)	45 (1.77)	29 (1.14)
Large diameter end	45 (1.77)	50 (1.97)	50 (1.97)	45 (1.77)

### CLUTCHES AND BRAKES

Reverse clutch		
Number of drive plates	2	
Number of driven plates	2	
Thickness of drive plate mm (in)		
Standard	2.0 (0.079)	
Wear limit	1.8 (0.071)	
Clearance mm (in)		
Standard	0.5 - 0.8 (0.020 - 0.031)	
Allowable limit	1.2 (0.047)	
Thickness of retaining plate	Thickness mm (in)	Part number
	4.6 (0.181)	31537-42X01
	4.8 (0.189)	31537-42X02
	5.0 (0.197)	31537-42X03
	5.2 (0.205)	31537-42X04
	5.4 (0.213)	31537-42X05
	5.6 (0.220)	31567-42X06
	5.8 (0.228)	31567-42X07
High clutch		
Number of drive plates	5	
Number of driven plates	5	
Thickness of drive plate mm (in)		
Standard	1.6 (0.063)	
Wear limit	1.4 (0.055)	
Clearance mm (in)		
Standard	1.8 - 2.2 (0.071 - 0.087)	
Allowable limit	3.2 (0.126)	
Thickness of retaining plate	Thickness mm (in)	Part number
	3.4 (0.134)	31537-41X71
	3.6 (0.142)	31537-41X61
	3.8 (0.150)	31537-41X62
	4.0 (0.157)	31537-41X63
	4.2 (0.165)	31537-41X64
	4.4 (0.173)	31537-41X65
	4.6 (0.181)	31537-41X66
4.8 (0.189)	31537-41X67	

Forward clutch		
Number of drive plates	7	
Number of driven plates	7	
Thickness of drive plate mm (in)		
Standard	1.6 (0.063)	
Wear limit	1.4 (0.055)	
Clearance mm (in)		
Standard	0.45 - 0.85 (0.0177 - 0.0335)	
Allowable limit	2.25 (0.0886)	
Thickness of retaining plate	Thickness mm (in)	Part number
	4.0 (0.157)	31537-41X07
	4.2 (0.165)	31537-41X08
	4.4 (0.173)	31537-41X09
	4.6 (0.181)	31537-41X10
	4.8 (0.189)	31537-41X11
	5.0 (0.197)	31567-41X12
5.2 (0.205)	31567-41X13	
Overrun clutch		
Number of drive plates	3	
Number of driven plates	5	
Thickness of drive plate mm (in)		
Standard	2.0 (0.079)	
Wear limit	1.8 (0.071)	
Clearance mm (in)		
Standard	1.0 - 1.4 (0.039 - 0.055)	
Allowable limit	2.0 (0.079)	
Thickness of retaining plate	Thickness mm (in)	Part number
	4.0 (0.157)	31537-41X79
	4.2 (0.165)	31537-41X80
	4.4 (0.173)	31537-41X81
	4.6 (0.181)	31537-41X82
	4.8 (0.189)	31537-41X83
	5.0 (0.197)	31537-41X84
5.2 (0.205)	31537-41X20	

# SERVICE DATA AND SPECIFICATIONS (SDS)

## Specifications and Adjustment — RE4R01A (Cont'd)

<b>Low &amp; reverse brake</b>		
Number of drive plates		7
Number of driven plates		7
Thickness of drive plate mm (in)		
Standard		2.0 (0.079)
Wear limit		1.8 (0.071)
Clearance mm (in)		
Standard		0.7 - 1.1 (0.028 - 0.043)
Allowable limit		2.9 (0.114)
Thickness of retaining plate	Thickness mm (in)	Part number
	6.6 (0.260)	31667-41X17
	6.8 (0.268)	31667-41X11
	7.0 (0.276)	31667-41X12
	7.2 (0.283)	31667-41X13
	7.4 (0.291)	31667-41X14
	7.6 (0.299)	31667-41X07
	7.8 (0.307)	31667-41X08
	8.0 (0.315)	31667-41X00
	8.2 (0.323)	31667-41X01
	8.4 (0.331)	31667-41X02
	8.6 (0.339)	31667-41X03
	8.8 (0.346)	31667-41X04
9.0 (0.354)	31667-41X05	
9.2 (0.362)	31667-41X06	
9.4 (0.370)	31667-41X09	
<b>Brake band</b>		
Anchor end bolt tightening torque N·m (kg-m, ft-lb)		4 - 6 (0.4 - 0.6, 2.9 - 4.3)
Number of returning revolutions for anchor end bolt		2.5

### OIL PUMP AND LOW ONE-WAY CLUTCH

Oil pump clearance mm (in)	
Cam ring — oil pump housing	
Standard	0.01 - 0.024 (0.0004 - 0.0009)
Rotor, vanes and control piston — oil pump housing	
Standard	0.03 - 0.044 (0.0012 - 0.0017)
Seal ring clearance mm (in)	
Standard	0.10 - 0.25 (0.0039 - 0.0098)
Allowable limit	0.25 (0.0098)

### TOTAL END PLAY

Total end play "T <sub>1</sub> "	0.25 - 0.55 mm (0.0098 - 0.0217 in)	
Thickness of oil pump cover bearing race	Thickness mm (in)	Part number
	0.8 (0.031)	31429-41X01
	1.0 (0.039)	31429-41X02
	1.2 (0.047)	31429-41X03
	1.4 (0.055)	31429-21X03
	1.6 (0.063)	31429-21X04
	1.8 (0.071)	31429-21X05
2.0 (0.079)	31429-21X06	

### REVERSE CLUTCH DRUM END PLAY

Reverse clutch drum end play "T <sub>2</sub> "	0.55 - 0.90 mm (0.0217 - 0.0354 in)	
Thickness of oil pump thrust washer	Thickness mm (in)	Part number
	0.7 (0.028)	31528-21X00
	0.9 (0.035)	31528-21X01
	1.1 (0.043)	31528-21X02
	1.3 (0.051)	31528-21X03
	1.5 (0.059)	31528-21X04
	1.7 (0.067)	31528-21X05
	1.9 (0.075)	31528-21X06

### REMOVAL AND INSTALLATION

Manual control linkage	
Number of returning revolutions for lock nut	1
Lock nut tightening torque	29 - 39 N·m (3.0 - 4.0 kg-m, 22 - 29 ft-lb)
Distance between end of converter housing and torque converter	26.0 mm (1.024 in) or more
Drive plate runout limit	0.5 mm (0.020 in)

# SERVICE DATA AND SPECIFICATIONS (SDS)

## Specifications and Adjustment — RE4R03A

### VEHICLE SPEED WHEN SHIFTING GEARS

Throttle position	Vehicle speed km/h (MPH)					
	D <sub>1</sub> → D <sub>2</sub>	D <sub>2</sub> → D <sub>3</sub>	D <sub>3</sub> → D <sub>4</sub>	D <sub>4</sub> → D <sub>3</sub>	D <sub>3</sub> → D <sub>2</sub>	D <sub>2</sub> → D <sub>1</sub>
Full throttle	68 - 72 (42 - 45)	120 - 128 (75 - 80)	183 - 193 (114 - 120)	177 - 187 (110 - 116)	109 - 117 (68 - 73)	33 - 37 (21 - 23)
Half throttle	47 - 51 (29 - 32)	89 - 95 (55 - 59)	136 - 144 (85 - 89)	78 - 86 (48 - 53)	28 - 34 (17 - 21)	10 - 14 (6 - 9)

### VEHICLE SPEED WHEN PERFORMING AND RELEASING LOCK-UP

Throttle position	OD switch [Shift position]	Vehicle speed km/h (MPH)	
		Lock-up "ON"	Lock-up "OFF"
Full throttle	ON [D <sub>4</sub> ]	184 - 192 (114 - 119)	178 - 186 (111 - 116)
	OFF [D <sub>3</sub> ]	120 - 128 (75 - 80)	109 - 117 (68 - 73)
Half throttle	ON [D <sub>4</sub> ]	184 - 192 (114 - 119)	117 - 125 (73 - 78)
	OFF [D <sub>3</sub> ]	88 - 96 (55 - 60)	74 - 82 (46 - 51)

### STALL REVOLUTION

Stall revolution rpm
2,950 - 3,200

### LINE PRESSURE

Engine speed rpm	Line pressure kPa (kg/cm <sup>2</sup> , psi)	
	D, 2 and 1 positions	R position
Idle	422 - 461 (4.3 - 4.7, 61 - 67)	667 - 706 (6.8 - 7.2, 97 - 102)
Stall	1,020 - 1,098 (10.4 - 11.2, 148 - 159)	1,422 - 1,500 (14.5 - 15.3, 206 - 218)

# SERVICE DATA AND SPECIFICATIONS (SDS)

## Specifications and Adjustment — RE4R03A (Cont'd)

### RETURN SPRINGS

Unit: mm (in)

Parts		Part No.	Free length	Outer diameter		
Control valve	Upper body	Torque converter relief valve spring	31742-41X23	38.0 (1.496)	9.0 (0.354)	GI
		Pressure regulator valve spring	31742-41X24	44.02 (1.7331)	14.0 (0.551)	
		Pressure modifier valve spring	31742-41X19	31.95 (1.2579)	6.8 (0.268)	MA
		Shuttle shift valve D spring	31762-41X00	26.5 (1.043)	6.0 (0.236)	
		4-2 sequence valve spring	31756-41X00	29.1 (1.146)	6.95 (0.2736)	EM
		Shift valve B spring	31762-41X01	25.0 (0.984)	7.0 (0.276)	
		4-2 relay valve spring	31756-41X00	29.1 (1.146)	6.95 (0.2736)	LC
		Shift valve A spring	31762-41X01	25.0 (0.984)	7.0 (0.276)	
		Overrun clutch control valve spring	31762-41X03	23.6 (0.929)	7.0 (0.276)	EF & EC
		Overrun clutch reducing valve spring	31742-41X20	32.5 (1.280)	7.0 (0.276)	
		Shuttle shift valve S spring	31762-41X04	51.0 (2.008)	5.65 (0.2224)	
		Pilot valve spring	31742-41X13	25.7 (1.012)	9.1 (0.358)	FE
		Lock-up control valve spring	31742-41X22	18.5 (0.728)	13.0 (0.512)	
	Lower body	Modifier accumulator piston spring	31742-27X70	31.4 (1.236)	9.8 (0.386)	CL
		1st reducing valve spring	31756-41X05	25.4 (1.000)	6.75 (0.2657)	
3-2 timing valve spring		31742-41X08	20.55 (0.8091)	6.75 (0.2657)		
Servo charger valve spring		31742-41X06	23.0 (0.906)	6.7 (0.264)	MT	
Reverse clutch	16 pcs	31505-51X00	37.8 (1.488)	14.8 (0.583)		
High clutch	16 pcs	31505-21X03	22.06 (0.8685)	11.6 (0.457)	AT	
Forward clutch (Overrun clutch)	20 pcs	31505-51X04	36.8 (1.449)	9.8 (0.386)		
Low & reverse brake	Inner 16 pcs	31505-51X06	20.43 (0.8043)	10.3 (0.406)	PD	
	Outer 16 pcs	31505-51X05	20.35 (0.8012)	13.0 (0.512)		
Band servo	Spring A	31605-41X05	45.6 (1.795)	34.3 (1.350)	FA	
	Spring B	31605-41X00	53.8 (2.118)	40.3 (1.587)		
	Spring C	31605-41X01	29.7 (1.169)	27.6 (1.087)	RA	
Accumulator	Accumulator A	31605-41X02	43.0 (1.693)	—		
	Accumulator B	31605-41X10	66.0 (2.598)	—		
	Accumulator C	31605-51X01	45.0 (1.772)	—	BR	
	Accumulator D	31605-41X06	58.4 (2.299)	—		

GI

MA

EM

LC

EF & EC

FE

CL

MT

AT

PD

FA

RA

BR

ST

BF

HA

EL

IDX

# SERVICE DATA AND SPECIFICATIONS (SDS)

## Specifications and Adjustment — RE4R03A (Cont'd)

### ACCUMULATOR O-RINGS

Accumulator	Diameter mm (in)			
	A	B	C	D
Small diameter end	29 (1.14)	32 (1.26)	45 (1.77)	29 (1.14)
Large diameter end	45 (1.77)	50 (1.97)	50 (1.97)	45 (1.77)

### CLUTCHES AND BRAKES

Reverse clutch		
Number of drive plates	3	
Number of driven plates	3	
Thickness of drive plate mm (in)		
Standard	2.0 (0.079)	
Wear limit	1.8 (0.071)	
Clearance mm (in)		
Standard	0.5 - 0.8 (0.020 - 0.031)	
Allowable limit	1.4 (0.055)	
Thickness of retaining plate	Thickness mm (in)	Part number
	4.4 (0.173)	31537-51X61
	4.6 (0.181)	31537-51X00
	4.8 (0.189)	31537-51X01
	5.0 (0.197)	31537-51X02
High clutch		
Number of drive plates	7	
Number of driven plates	7 + 1	
Thickness of drive plate mm (in)		
Standard	1.6 (0.063)	
Wear limit	1.4 (0.055)	
Clearance mm (in)		
Standard	1.8 - 2.2 (0.071 - 0.087)	
Allowable limit	3.0 (0.118)	
Thickness of retaining plate	Thickness mm (in)	Part number
	4.0 (0.157)	31537-51X19
	4.2 (0.165)	31537-51X60
	4.4 (0.173)	31537-51X61
	4.6 (0.181)	31537-51X00
	4.8 (0.189)	31537-51X01
	5.0 (0.197)	31537-51X02

Forward clutch		
Number of drive plates	8	
Number of driven plates	8	
Thickness of drive plate mm (in)		
Standard	2.0 (0.079)	
Wear limit	1.8 (0.071)	
Clearance mm (in)		
Standard	0.45 - 0.85 (0.0177 - 0.0335)	
Allowable limit	2.45 (0.0965)	
Thickness of retaining plate	Thickness mm (in)	Part number
	4.6 (0.181)	31537-51X06
	4.8 (0.189)	31537-51X07
	5.0 (0.197)	31537-51X08
	5.2 (0.205)	31537-51X09
	5.4 (0.213)	31537-51X10
	5.6 (0.220)	31537-51X69
Overrun clutch		
Number of drive plates	4	
Number of driven plates	7	
Thickness of drive plate mm (in)		
Standard	1.6 (0.063)	
Wear limit	1.4 (0.055)	
Clearance mm (in)		
Standard	1.0 - 1.4 (0.039 - 0.055)	
Allowable limit	2.2 (0.087)	
Thickness of retaining plate	Thickness mm (in)	Part number
	3.8 (0.150)	31537-51X11
	4.0 (0.157)	31537-51X12
	4.2 (0.165)	31537-51X13
	4.4 (0.173)	31537-51X14
	4.6 (0.181)	31537-51X15
	4.8 (0.189)	31537-51X64



# SERVICE DATA AND SPECIFICATIONS (SDS)

## Specifications and Adjustment — RE4R03A (Cont'd)

<b>Low &amp; reverse brake</b>		
Number of drive plates	2 + 6	
Number of driven plates	8	
Thickness of drive plate mm (in)		
Standard	1.6 (0.063)	
Wear limit	1.4 (0.055)	
Clearance mm (in)		
Standard	0.9 - 1.2 (0.035 - 0.047)	
Allowable limit	3.1 (0.122)	
Thickness of retaining plate	Thickness mm (in)	Part number
	4.2 (0.165)	31667-51X00
	4.4 (0.173)	31667-51X00
	4.6 (0.181)	31667-51X01
	4.8 (0.189)	31667-51X02
	5.0 (0.197)	31667-51X03
	5.2 (0.205)	31667-51X04
	5.4 (0.213)	31667-51X05
	5.6 (0.220)	31667-51X06
	5.8 (0.228)	31667-51X07
6.0 (0.236)	31667-51X08	
6.2 (0.244)	31667-51X09	
<b>Brake band</b>		
Anchor end bolt tightening torque N·m (kg·m, ft·lb)	4 - 6 (0.4 - 0.6, 2.9 - 4.3)	
Number of returning revolutions for anchor end bolt	2.5	

### OIL PUMP AND LOW ONE-WAY CLUTCH

Oil pump clearance mm (in)	
Cam ring — oil pump housing	
Standard	0.01 - 0.024 (0.0004 - 0.0009)
Rotor, vanes and control piston — oil pump housing	
Standard	0.03 - 0.044 (0.0012 - 0.0017)
Seal ring clearance mm (in)	
Standard	0.10 - 0.25 (0.0039 - 0.0098)
Allowable limit	0.25 (0.0098)

### TOTAL END PLAY

Total end play "T <sub>1</sub> "	0.25 - 0.55 mm (0.0098 - 0.0217 in)	
Thickness of oil pump cover bearing race	Thickness mm (in)	Part number
	0.8 (0.031)	31435-41X01
	1.0 (0.039)	31435-41X02
	1.2 (0.047)	31435-41X03
	1.4 (0.055)	31429-21X03
	1.6 (0.063)	31429-21X04
	1.8 (0.071)	31429-21X05
2.0 (0.079)	31429-21X06	

### REVERSE CLUTCH DRUM END PLAY

Reverse clutch drum end play "T <sub>2</sub> "	0.55 - 0.90 mm (0.0217 - 0.0354 in)	
Thickness of oil pump thrust washer	Thickness mm (in)	Part number
	0.7 (0.028)	31528-21X00
	0.9 (0.035)	31528-21X01
	1.1 (0.043)	31528-21X02
	1.3 (0.051)	31528-21X03
	1.5 (0.059)	31528-21X04
	1.7 (0.067)	31528-21X05
	1.9 (0.075)	31528-21X06

### REMOVAL AND INSTALLATION

Manual control linkage	
Number of returning revolutions for lock nut	1
Lock nut tightening torque	29 - 39 N·m (3.0 - 4.0 kg·m, 22 - 29 ft·lb)
Distance between end of converter housing and torque converter	25.0 mm (0.984 in) or more
Drive plate runout limit	0.5 mm (0.020 in)

GI  
MA  
EM  
LC  
EF & EC  
FE  
CL  
MT  
AT  
PD  
FA  
RA  
BR  
ST  
BF  
HA  
EL  
IDX