

A
B
C
D
E
F
G
H
I
J
L
M

SECTION SC

STARTING & CHARGING SYSTEM

CONTENTS

<p>PRECAUTIONS 2</p> <p style="padding-left: 20px;">Precautions for Supplemental Restraint System (SRS) "AIR BAG" and "SEAT BELT PRE-TENSIONER" 2</p> <p style="padding-left: 20px;">Wiring Diagrams and Trouble Diagnosis 2</p> <p>PREPARATION 3</p> <p style="padding-left: 20px;">Special Service Tools 3</p> <p style="padding-left: 20px;">Commercial Service Tools 3</p> <p>BATTERY 4</p> <p style="padding-left: 20px;">How to Handle Battery 4</p> <p style="padding-left: 40px;">METHODS OF PREVENTING OVER-DISCHARGE 4</p> <p style="padding-left: 40px;">CHECKING ELECTROLYTE LEVEL 5</p> <p style="padding-left: 40px;">SPECIFIC GRAVITY CHECK 5</p> <p style="padding-left: 40px;">CHARGING THE BATTERY 6</p> <p style="padding-left: 20px;">Trouble Diagnosis with Battery/Starting/Charging</p> <p style="padding-left: 40px;">System Tester 6</p> <p style="padding-left: 40px;">DIAGNOSTIC RESULT ITEM CHART 8</p> <p style="padding-left: 20px;">Removal and Installation 9</p> <p style="padding-left: 40px;">REMOVAL 9</p> <p style="padding-left: 40px;">INSTALLATION 9</p> <p>STARTING SYSTEM 10</p> <p style="padding-left: 20px;">System Description 10</p> <p style="padding-left: 20px;">Wiring Diagram — START — 11</p> <p style="padding-left: 20px;">Trouble Diagnosis with Battery/Starting/Charging</p> <p style="padding-left: 40px;">System Tester 12</p> <p style="padding-left: 40px;">DIAGNOSTIC RESULT ITEM CHART 12</p> <p style="padding-left: 40px;">WORK FLOW 13</p> <p style="padding-left: 40px;">DIAGNOSTIC PROCEDURE 1 14</p> <p style="padding-left: 40px;">DIAGNOSTIC PROCEDURE 2 15</p>	<p style="padding-left: 20px;">MINIMUM SPECIFICATION OF CRANKING VOLTAGE REFERENCING COOLANT TEMPERATURE 15</p> <p style="padding-left: 20px;">Removal and Installation 16</p> <p style="padding-left: 40px;">REMOVAL 16</p> <p style="padding-left: 40px;">INSTALLATION 16</p> <p style="padding-left: 20px;">Disassembly and Assembly 17</p> <p style="padding-left: 20px;">Inspection After Disassembly 17</p> <p style="padding-left: 40px;">PINION/CLUTCH CHECK 17</p> <p>CHARGING SYSTEM 18</p> <p style="padding-left: 20px;">System Description 18</p> <p style="padding-left: 20px;">Wiring Diagram — CHARGE — 19</p> <p style="padding-left: 20px;">Trouble Diagnosis with Battery/Starting/Charging</p> <p style="padding-left: 40px;">System Tester 20</p> <p style="padding-left: 40px;">DIAGNOSTIC RESULT ITEM CHART 21</p> <p style="padding-left: 40px;">WORK FLOW 22</p> <p style="padding-left: 40px;">DIAGNOSTIC PROCEDURE 1 23</p> <p style="padding-left: 40px;">DIAGNOSTIC PROCEDURE 2 23</p> <p style="padding-left: 40px;">DIAGNOSTIC PROCEDURE 3 24</p> <p style="padding-left: 40px;">DIAGNOSTIC PROCEDURE 4 25</p> <p style="padding-left: 40px;">DIAGNOSTIC PROCEDURE 5 26</p> <p style="padding-left: 40px;">MALFUNCTION INDICATOR 26</p> <p style="padding-left: 20px;">Removal and Installation 27</p> <p style="padding-left: 40px;">REMOVAL 27</p> <p style="padding-left: 40px;">INSTALLATION 28</p> <p style="padding-left: 20px;">Disassembly and Assembly 29</p> <p>SERVICE DATA AND SPECIFICATIONS (SDS) 30</p> <p style="padding-left: 20px;">Battery 30</p> <p style="padding-left: 20px;">Starter 30</p> <p style="padding-left: 20px;">Alternator 30</p>
---	--

PRECAUTIONS

PRECAUTIONS

PFP:00001

Precautions for Supplemental Restraint System (SRS) “AIR BAG” and “SEAT BELT PRE-TENSIONER”

AKS007KT

The Supplemental Restraint System such as “AIR BAG” and “SEAT BELT PRE-TENSIONER”, used along with a front seat belt, helps to reduce the risk or severity of injury to the driver and front passenger for certain types of collision. This system includes seat belt switch inputs and dual stage front air bag modules. The SRS system uses the seat belt switches to determine the front air bag deployment, and may only deploy one front air bag, depending on the severity of a collision and whether the front occupants are belted or unbelted. Information necessary to service the system safely is included in the SRS and SB section of this Service Manual.

WARNING:

- To avoid rendering the SRS inoperative, which could increase the risk of personal injury or death in the event of a collision which would result in air bag inflation, all maintenance must be performed by an authorized NISSAN/INFINITI dealer.
- Improper maintenance, including incorrect removal and installation of the SRS, can lead to personal injury caused by unintentional activation of the system. For removal of Spiral Cable and Air Bag Module, see the SRS section.
- Do not use electrical test equipment on any circuit related to the SRS unless instructed to in this Service Manual. SRS wiring harnesses can be identified by yellow and/or orange harnesses or harness connectors.

Wiring Diagrams and Trouble Diagnosis

AKS004ET

When you read wiring diagrams, refer to the following:

- Refer to [GI-14, "How to Read Wiring Diagrams"](#) in GI section.
- Refer to [PG-3, "POWER SUPPLY ROUTING CIRCUIT"](#) for power distribution circuit in PG section.

When you perform trouble diagnosis, refer to the following:

- Refer to [GI-10, "HOW TO FOLLOW TEST GROUPS IN TROUBLE DIAGNOSES"](#) in GI section.
- Refer to [GI-26, "How to Perform Efficient Diagnosis for an Electrical Incident"](#) in GI section.

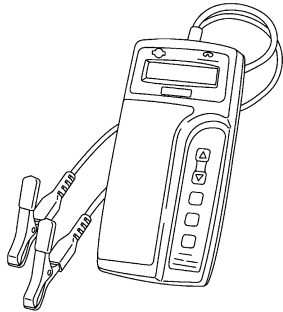
PREPARATION

PREPARATION

PFP:00002

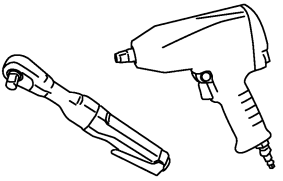
Special Service Tools

AKS004EU

Tool number Tool name	Description
<p>J-44373 Model 620 Battery/Starting/Charging system tester</p>  <p>SEL403X</p>	

Commercial Service Tools

AKS004EV

Tool number Tool name	Description
<p>Power tool</p>  <p>PBIC0190E</p>	<p>Loosening bolts and nuts</p>

A
B
C
D
E
F
G
H
I
J
SC
L
M

SC

BATTERY

BATTERY

PFP:AYBGL

How to Handle Battery

AKS004EW

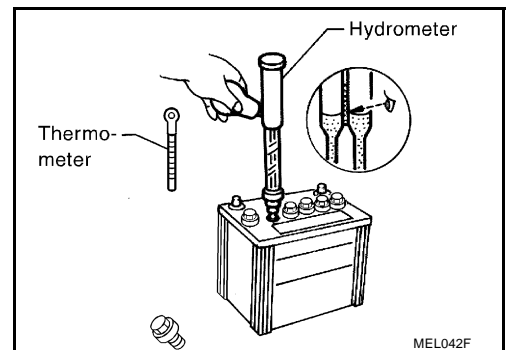
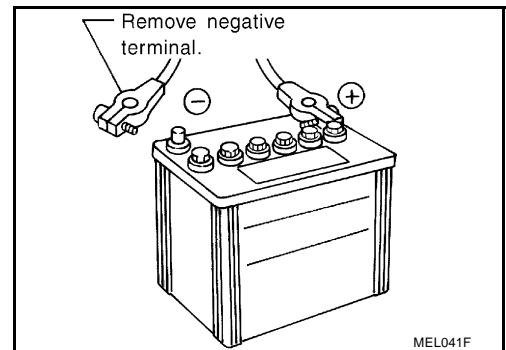
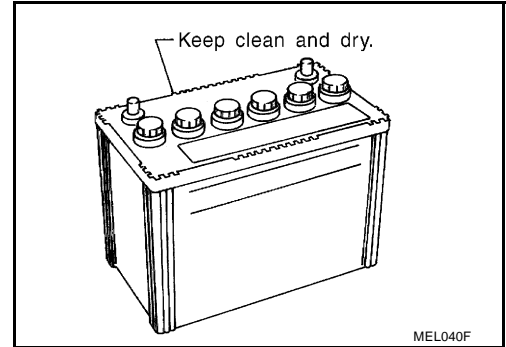
CAUTION:

- If it becomes necessary to start the engine with a booster battery and jumper cables, use a 12-volt booster battery.
- After connecting battery cables, ensure that they are tightly clamped to battery terminals for good contact.

METHODS OF PREVENTING OVER-DISCHARGE

The following precautions must be taken to prevent over-discharging a battery.

- The battery surface (particularly its top) should always be kept clean and dry.
- The terminal connections should be clean and tight.
- At every routine maintenance, check the electrolyte level. This also applies to batteries designated as "low maintenance" and "maintenance-free".
- When the vehicle is not going to be used over a long period of time, disconnect the negative battery terminal.
- Check the charge condition of the battery. Periodically check the specific gravity of the electrolyte. Keep a close check on charge condition to prevent over-discharge.



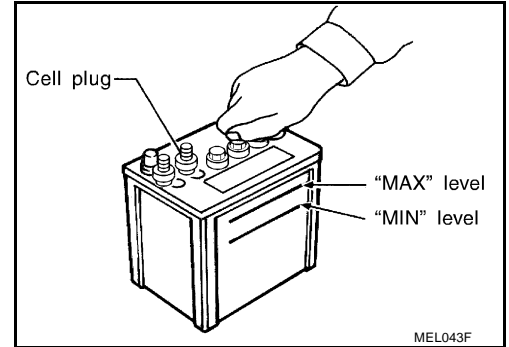
BATTERY

CHECKING ELECTROLYTE LEVEL

WARNING:

Do not allow battery fluid to come in contact with skin, eyes, fabrics, or painted surfaces. After touching a battery, do not touch or rub your eyes until you have thoroughly washed your hands. If acid contacts eyes, skin or clothing, immediately flush with water for 15 minutes and seek medical attention.

- Remove the cell plug using a suitable tool.
- Add distilled water up to the MAX level.

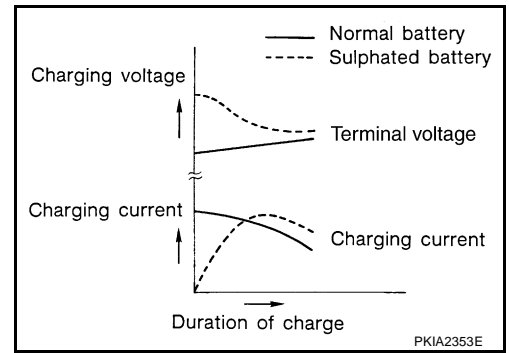


Sulphation

A battery will be completely discharged if it is left unattended for a long time and the specific gravity will become less than 1.100. This may result in sulphation on the cell plates.

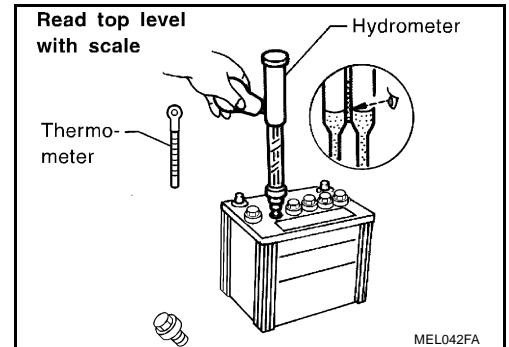
To determine if a battery has been “sulphated”, note its voltage and current when charging it. As shown in the figure, less current and higher voltage are observed in the initial stage of charging sulphated batteries.

A sulphated battery may sometimes be brought back into service by means of a long, slow charge, 12 hours or more, followed by a battery capacity test.



SPECIFIC GRAVITY CHECK

1. Read hydrometer and thermometer indications at eye level.
2. Use the chart below to correct your hydrometer reading according to electrolyte temperature.



Hydrometer Temperature Correction

Battery electrolyte temperature °C (°F)	Add to specific gravity reading
71 (160)	0.032
66 (150)	0.028
60 (140)	0.024
54 (130)	0.020
49 (120)	0.016
43 (110)	0.012
38 (100)	0.008
32 (90)	0.004
27 (80)	0
21 (70)	-0.004

BATTERY

Battery electrolyte temperature °C (°F)	Add to specific gravity reading
16 (60)	-0.008
10 (50)	-0.012
4 (40)	-0.016
-1 (30)	-0.020
-7 (20)	-0.024
-12 (10)	-0.028
-18 (0)	-0.032

Corrected specific gravity	Approximate charge condition
1.260 - 1.280	Fully charged
1.230 - 1.250	3/4 charged
1.200 - 1.220	1/2 charged
1.170 - 1.190	1/4 charged
1.140 - 1.160	Almost discharged
1.110 - 1.130	Completely discharged

CHARGING THE BATTERY

CAUTION:

- Do not “quick charge” a fully discharged battery.
- Keep the battery away from open flame while it is being charged.
- When connecting the charger, connect the leads first, then turn on the charger. Do not turn on the charger first, as this may cause a spark.
- If battery electrolyte temperature rises above 55°C (131°F), stop charging. Always charge battery at a temperature below 55°C (131°F).

Charging Rates

Amps	Time
50	1 hour
25	2 hours
10	5 hours
5	10 hours

Do not charge at more than 50 ampere rate.

NOTE:

The ammeter reading on your battery charger will automatically decrease as the battery charges. This indicates that the voltage of the battery is increasing normally as the state of charge improves. The charging amps indicated above refer to initial charge rate.

- If, after charging, the specific gravity of any two cells varies more than 0.050, the battery should be replaced.

Trouble Diagnosis with Battery/Starting/Charging System Tester

AKS004EX

CAUTION:

When working with batteries, always wear appropriate eye protection.

NOTE:

- To ensure a complete and thorough diagnosis, the battery, starter and alternator test segments must be done as a set from start to finish.
- If battery surface charge is detected while testing, the tester will prompt you to turn on the headlamps to remove the surface charge.
- If necessary, the tester will prompt you to determine if the battery temperature is above or below 0°C (32°F). Choose the appropriate selection by pressing the up or down arrow button, then press “ENTER” to make the selection.

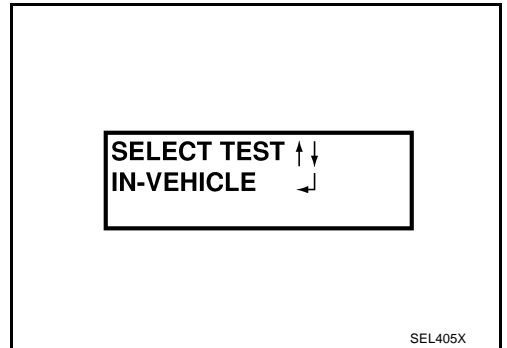
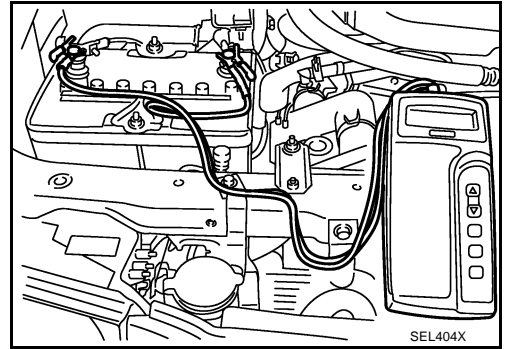
BATTERY

1. Turn off all loads on the vehicle electrical system. Clean or repair as necessary.
2. Visually inspect the battery, battery terminals and cable ends with ignition switch in "OFF" position.

NOTE:

The contact surface between the battery terminals, cable ends and tester leads must be clean for a valid test. A poor connection will prevent testing and a "CHECK CONNECTION" message will appear during the test procedures. If this occurs, clean the battery post and terminals, reconnect them and restart the test.

3. Connect the red tester lead clamp to the positive battery terminal, and the black to the negative terminal.
4. The tester will turn on automatically. Using the arrow keys, select "IN-VEHICLE" on the tester and then press the "ENTER" key.



5. Locate the battery type and rating stamped or written on the top case of the battery to be tested.

NOTE:

The battery type and rating will have either of the following.

CCA: Cold Cranking Amps (490 CCA, 550 CCA, etc.)

JIS: Japanese Industrial Standard.

Battery is stamped with a number such as:

80D26L: 80 (rank of output), D (physical size-depth), 26 (width in cm). The last character L (post configuration) is not input into the tester.

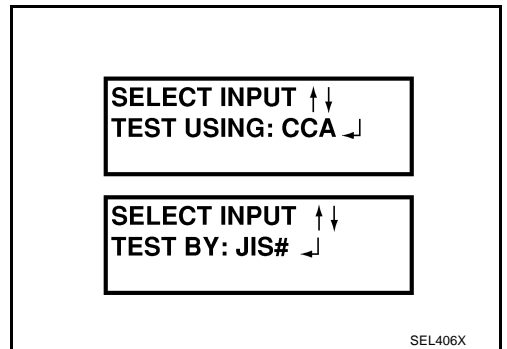
The tester requires the rating for the battery be entered exactly as it is written or stamped on the battery. Do not attempt a CCA conversion for JIS stamped batteries. JIS must be input directly.

6. Using the arrow and "ENTER" keys alternately, select the battery type and rating.

NOTE:

The tester lists five choices; CCA, JIS, IEC, DIN, and EN. Only use CCA or JIS.

7. Press "ENTER" to begin the test. Diagnosis results are displayed on the tester. Refer to [SC-8. "DIAGNOSTIC RESULT ITEM CHART"](#).



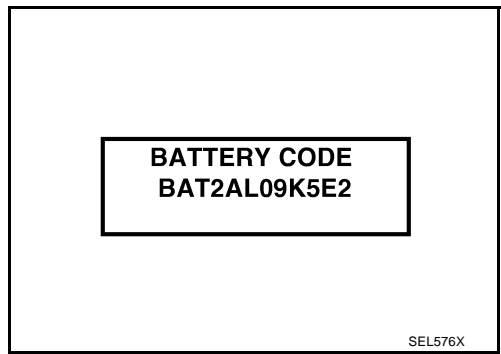
A
B
C
D
E
F
G
H
I
J
SC
L
M

BATTERY

8. Press "ENTER", then test output code is displayed. Record the test output code on the repair order.
9. Toggle back to the "DIAGNOSTIC SCREEN" for test results.

NOTE:

- If necessary, the tester will ask the user to determine if the battery has just been charged. Choose the appropriate selection by pressing the up or down arrow button and then press the "ENTER" button to make the selection.
- When testing a battery installed in a vehicle that has recently been driven, select "BEFORE CHARGE".
- If the battery has just been slow charged due to a "CHARGE & RETEST" decision by the tester, and the tester asks the user "BEFORE CHARGE/AFTER CHARGE", select "AFTER CHARGE".



DIAGNOSTIC RESULT ITEM CHART

Diagnostic item	Service procedure
GOOD BATTERY	Battery is OK, go to "Trouble Diagnosis", "STARTING SYSTEM". Refer to SC-12. "Trouble Diagnosis with Battery/Starting/Charging System Tester" .
REPLACE BATTERY	Replace battery. Before replacing battery, clean the battery cable clamps and battery posts. Perform battery test again with Battery/Starting/Charging system tester. If second test result is "Replace Battery", then do so. Perform battery test again to confirm repair.
BAD CELL-REPLACE	Replace the battery. Perform battery test again with Battery/Starting/Charging system tester to confirm repair.
GOOD-RECHARGE	Perform the slow battery charging procedure. (Initial rate of charge is 10A for 12 hours.)
CHARGE & RETEST	Perform the slow battery charging. (Initial rate of charge is 10A for 12 hours.) Perform battery test again with Battery/Starting/Charging system tester to confirm repair. NOTE: If the tester asks the user "BEFORE CHARGE/AFTER CHARGE", select "AFTER CHARGE".

BATTERY

Removal and Installation

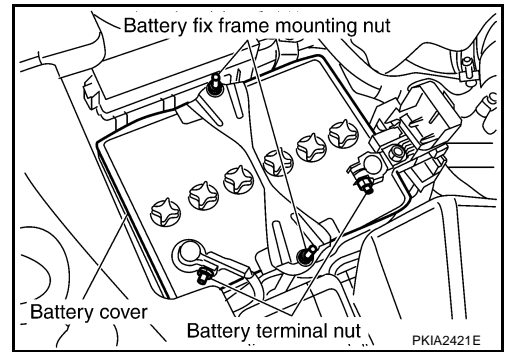
REMOVAL

1. Disconnect negative battery terminal and positive battery terminal.

CAUTION:

When disconnecting, disconnect negative battery terminal first.

2. Remove battery fix frame mounting nuts and battery fix frame.
3. Remove battery cover.
4. Remove battery.
5. Remove battery tray.



INSTALLATION

Install in the reverse order of removal.

CAUTION:

When connecting, connect positive battery terminal first.

Battery fix frame mounting nut

: 3.9 N·m (0.4 kg·m, 35 in-lb)

Battery terminal nut

: 5.4 N·m (0.55 kg·m, 48 in-lb)

A
B
C
D
E
F
G
H
I
J
SC
L
M

STARTING SYSTEM

STARTING SYSTEM

PFP:23300

System Description

AKS004EZ

Power is supplied at all times:

- through 40A fusible link (letter M, located in the fuse and fusible link box)
- to ignition switch terminal 1
- through 15A fuse (No. 73, located in the IPDM E/R)
- to CPU of IPDM E/R.

With the ignition switch in the ON or START position, power is supplied:

- through 10A fuse (No. 80, located in the IPDM E/R)
- to CPU of IPDM E/R.

When the selector lever in the P or N position, power is supplied:

- from TCM terminal 24
- to IPDM E/R terminal 43.

Ground is supplied:

- to IPDM E/R terminals 14, 45 and 46
- from body grounds E13 and E28.

Then starter relay is turn ON.

With the ignition switch in the START position, IPDM E/R is energized and power is supplied:

- from ignition switch terminal 5
- to IPDM E/R terminal 11 and
- through IPDM E/R terminal 4
- to starter motor terminal 1.

The starter motor plunger closes and provides a closed circuit between the battery and starter motor. The starter motor is grounded to the engine block. With power and ground supplied, cranking occurs and the engine starts.

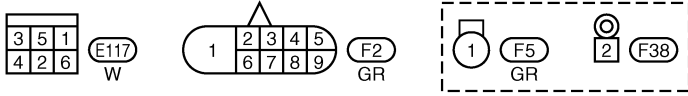
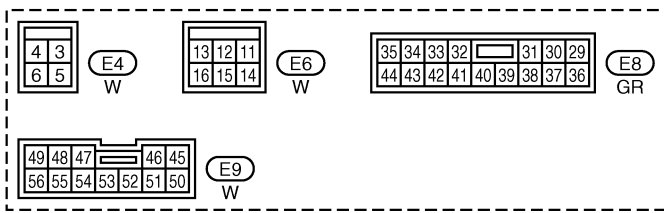
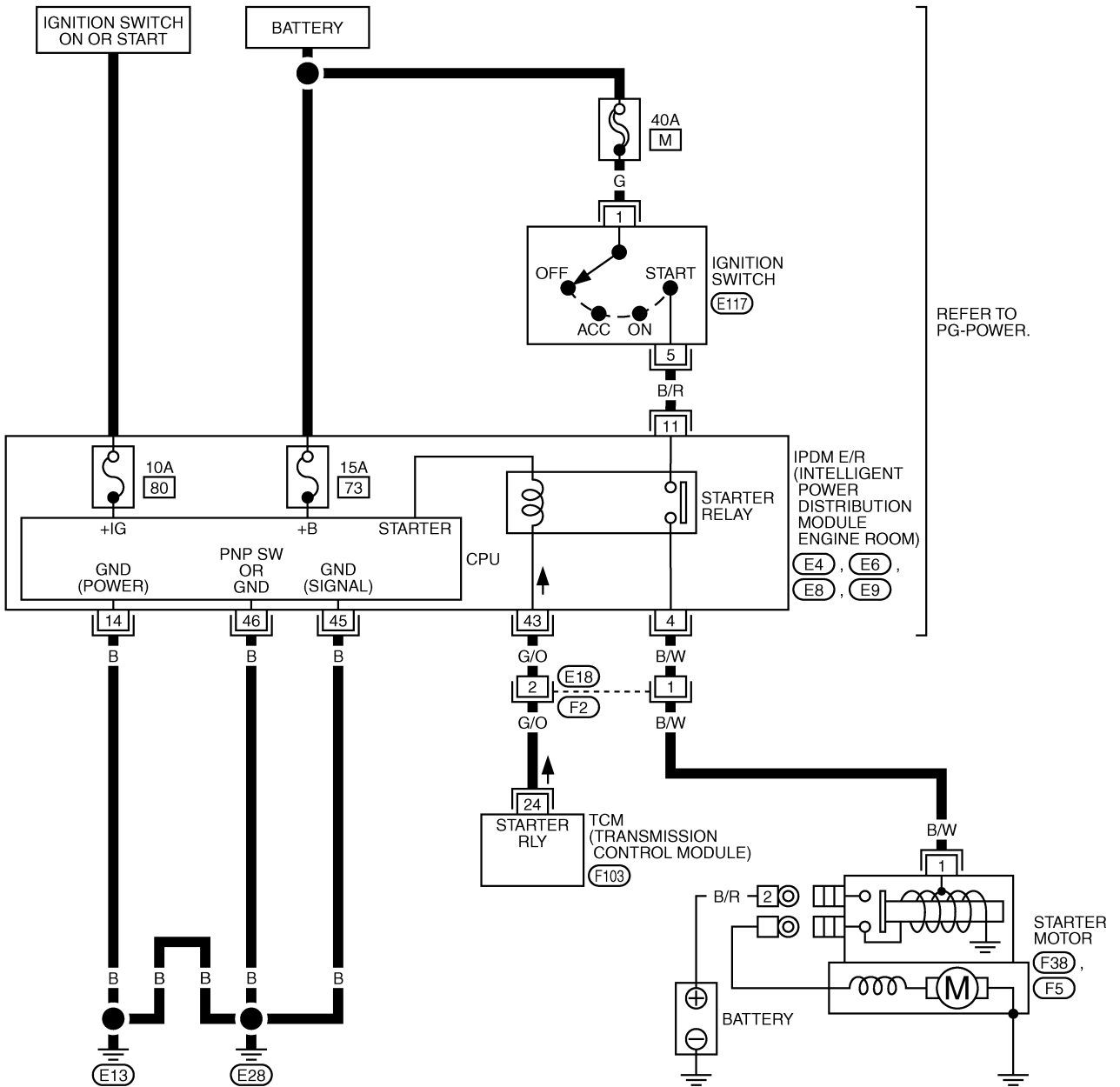
STARTING SYSTEM

Wiring Diagram — START —

AKS004F0

SC-START-01

A
B
C
D
E
F
G
H
I
J
SC
L
M



REFER TO THE FOLLOWING.
F103 -ELECTRICAL UNITS



TKWA0734E

STARTING SYSTEM

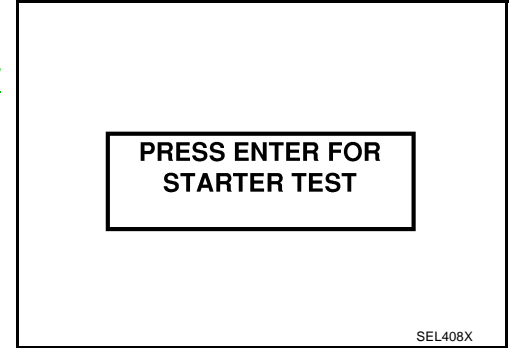
Trouble Diagnosis with Battery/Starting/Charging System Tester

AKS004F1

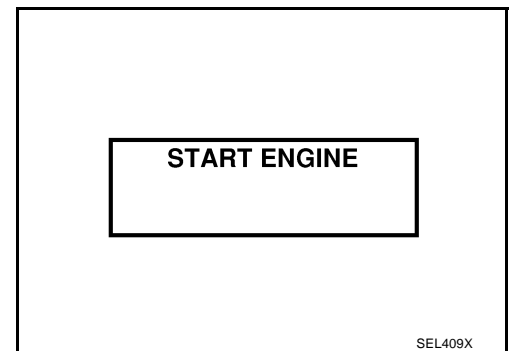
NOTE:

To ensure a complete and thorough diagnosis, the battery, starter and alternator test segments must be done as a set from start to finish.

1. Turn off all loads on the vehicle electrical system.
2. Perform battery test with Battery/Starting/Charging system tester. Refer to [SC-6, "Trouble Diagnosis with Battery/Starting/Charging System Tester"](#).
3. Press "ENTER" to begin the starting system test.



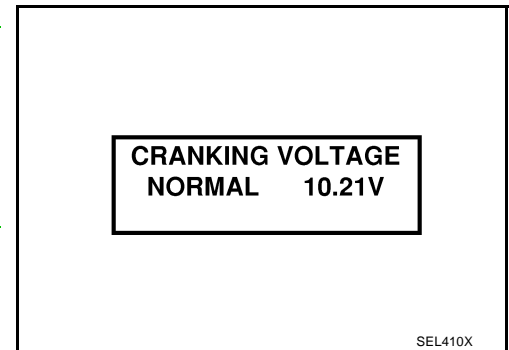
4. Start the engine.



5. Diagnosis result is displayed on the tester. Refer to [SC-12, "DIAGNOSTIC RESULT ITEM CHART"](#).

NOTE:

- If the starter performs normally but the engine does not start, perform engine diagnosis.
- For intermittent "NO CRANK" or "NO STARTER OPERATION" incidents, refer to [SC-15, "DIAGNOSTIC PROCEDURE 2"](#).

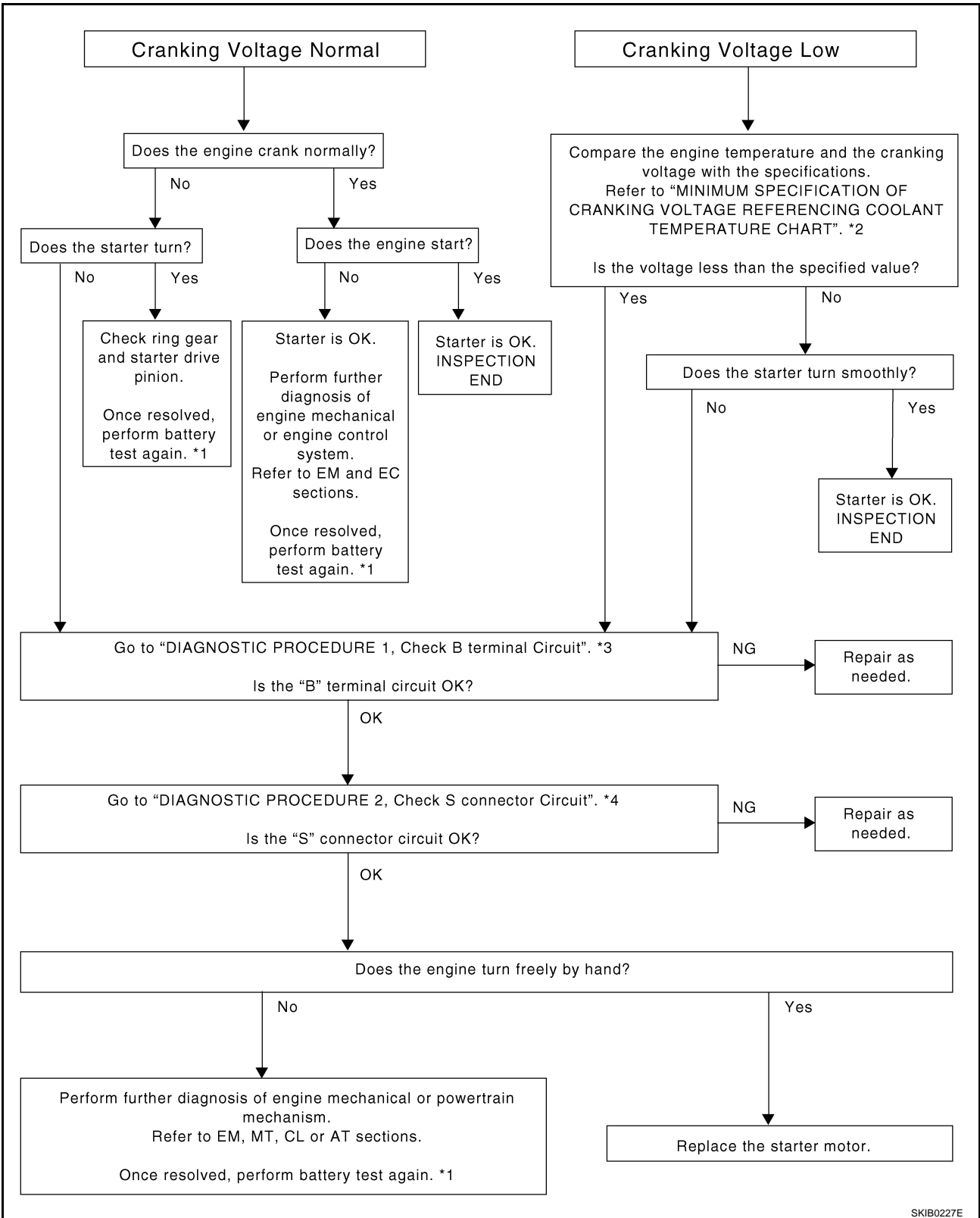


DIAGNOSTIC RESULT ITEM CHART

Diagnostic item	Service procedure
CRANKING VOLTAGE NORMAL	Go to SC-13, "WORK FLOW" .
CRANKING VOLTAGE LOW	
CHARGE BATTERY	Perform the slow battery charging procedure. (Initial rate of charge is 10A for 12 hours.) Perform battery test again with Battery/Starting/Charging system tester. Refer to SC-6, "Trouble Diagnosis with Battery/Starting/Charging System Tester" .
REPLACE BATTERY	Before replacing battery, clean the battery cable clamps and battery posts. Perform battery test again with Battery/Starting/Charging system tester. Refer to SC-6, "Trouble Diagnosis with Battery/Starting/Charging System Tester" . If second test result is "REPLACE BATTERY", then do so. Perform battery test again to confirm repair.

STARTING SYSTEM

WORK FLOW



A
B
C
D
E
F
G
H
I
J
SC
L
M

*1 [SC-6. "Trouble Diagnosis with Battery/Starting/Charging System Tester".](#)

*2 [SC-15. "MINIMUM SPECIFICATION OF CRANKING VOLTAGE REFERENCING COOLANT TEMPERATURE".](#)

*3 [SC-14. "DIAGNOSTIC PROCEDURE 1".](#)

*4 [SC-15. "DIAGNOSTIC PROCEDURE 2".](#)

SKIB0227E

STARTING SYSTEM

DIAGNOSTIC PROCEDURE 1

Check "B" Terminal Circuit

1. CHECK POWER SUPPLY FOR STARTER MOTOR "B" TERMINAL

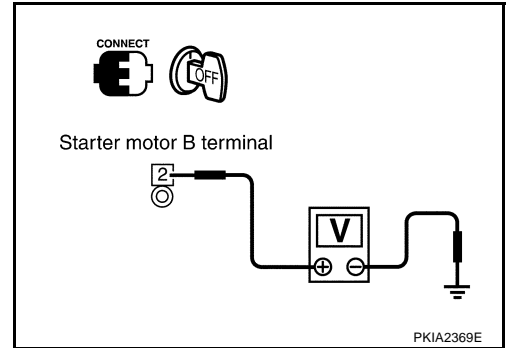
1. Remove fuel pump fuse.
2. Crank or start the engine (where possible) until the fuel pressure is released.
3. Turn ignition switch OFF.
4. Make sure the starter motor B terminal F38 terminal 2 (B/R) connection is clean and tight.
5. Check voltage between starter motor B terminal F38 terminal 2 (B/R) and ground using a digital circuit tester.

Battery voltage should exist.

OK or NG

OK >> GO TO 2.

NG >> Check harness between the battery and the starter motor for open circuit.



2. CHECK BATTERY HARNESS CONNECTION (VOLTAGE DROP TEST)

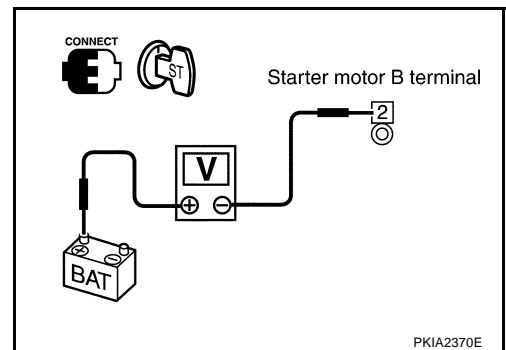
Check voltage between starter motor B terminal F38 terminal 2 (B/R) and battery positive terminal using a digital circuit tester.

**When the ignition switch is in START position,
Voltage: Less than 0.5V**

OK or NG

OK >> GO TO 3.

NG >> Check harness between the battery and the starter motor for poor continuity.



3. CHECK STARTER MOTOR GROUND CIRCUIT (VOLTAGE DROP TEST)

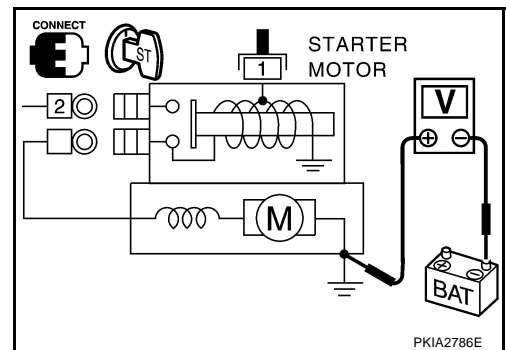
Check voltage between starter motor case and battery negative terminal using a digital circuit tester.

**When the ignition switch is in START position,
Voltage: Less than 0.2V**

OK or NG

OK >> Starter motor "B" terminal circuit is OK. Further inspection necessary. Refer to [SC-13, "WORK FLOW"](#).

NG >> Check the starter motor case and ground for poor continuity.



STARTING SYSTEM

DIAGNOSTIC PROCEDURE 2

Check "S" Connector Circuit

1. CHECK POWER SUPPLY FOR STARTER MOTOR "S" CONNECTOR

1. Remove fuel pump fuse.
2. Crank or start the engine (where possible) until the fuel pressure is released.
3. Turn ignition switch OFF.
4. Disconnect starter motors connector.
5. Check voltage between starter motor harness connector F5 terminal 1 (B/W) and ground using a digital circuit tester.

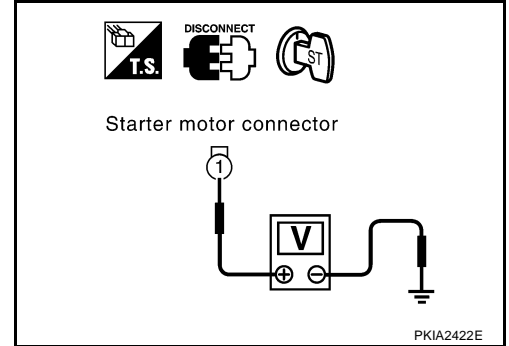
When the ignition switch is in START position, Battery voltage should exist.

OK or NG

OK >> GO TO 2.

NG >> Check the following.

- 40A fusible link (letter M , located in the fuse and fusible link box)
- Ignition switch
- Starter relay [within the IPDM (intelligent power distribution module engine room)]
- Harness for open or short



2. CHECK "S" CONNECTOR CONNECTION (VOLTAGE DROP TEST)

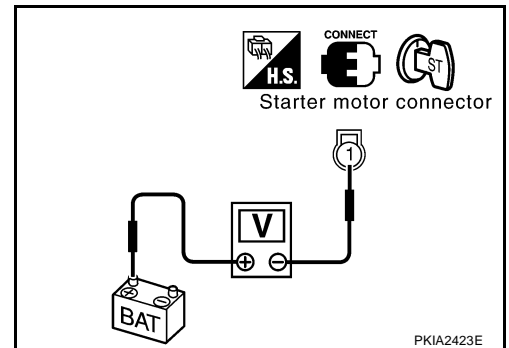
1. Connect starter motors connector.
2. Check voltage between starter motor harness connector F5 terminal 1 (B/W) and battery positive terminal using a digital circuit tester.

When the ignition switch is in START position, Voltage: Less than 1V

OK or NG

OK >> Starter motor "S" connector circuit is OK. Further inspection necessary. Refer to [SC-13, "WORK FLOW"](#).

NG >> Check harness between the battery and the starter motor "S" connector for poor continuity.



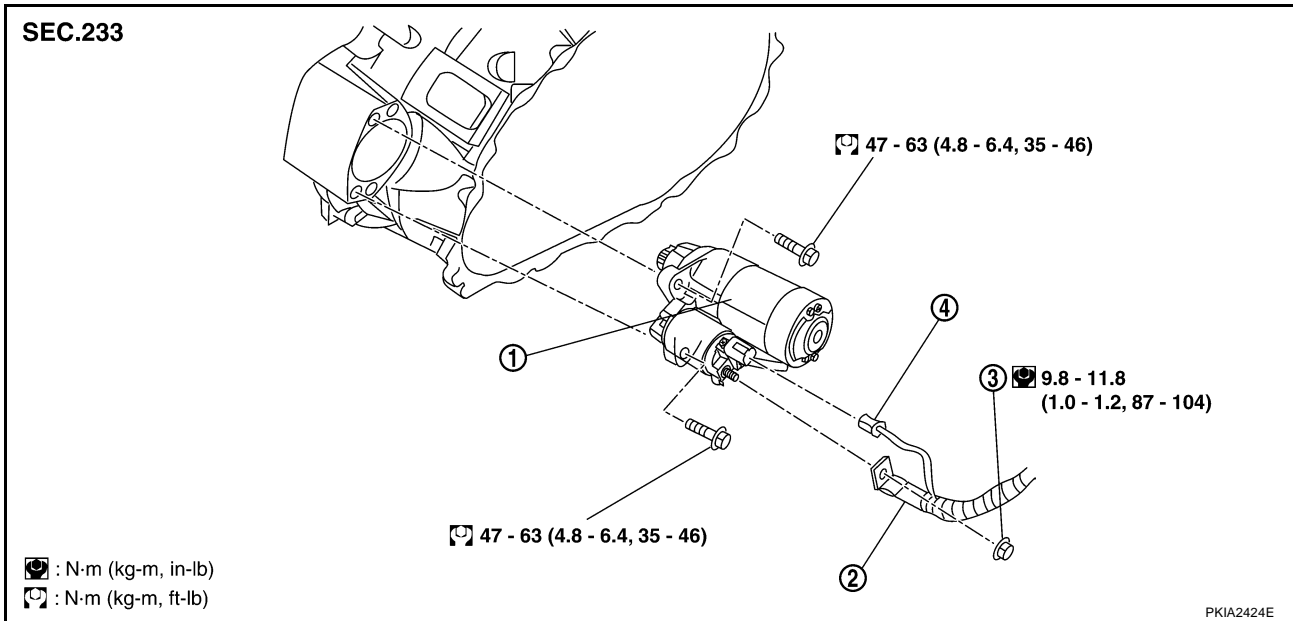
MINIMUM SPECIFICATION OF CRANKING VOLTAGE REFERENCING COOLANT TEMPERATURE

Engine coolant temperature	Voltage V
-30°C to -20°C (-22°F to -4°F)	8.4
-19°C to -10°C (-2°F to 14°F)	8.9
-9°C to 0°C (16°F to 32°F)	9.3
More than 1°C (More than 34°F)	9.7

STARTING SYSTEM

Removal and Installation

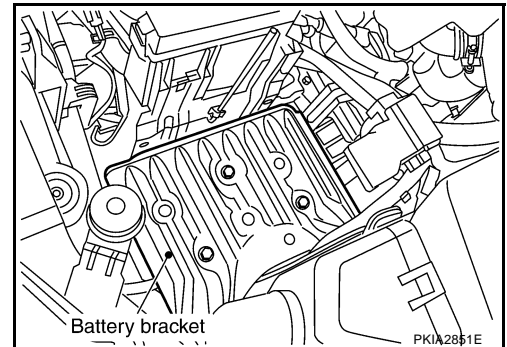
AKS004F2



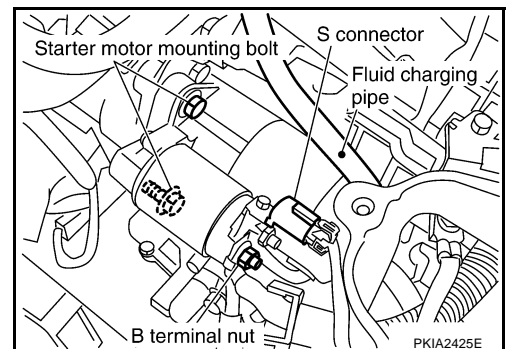
1. Starter motor
2. B terminal harness
3. B terminal nut
4. S connector

REMOVAL

1. Remove battery. Refer to [SC-9, "Removal and Installation"](#).
2. Remove air intake duct. Refer to [EM-14, "AIR CLEANER AND AIR DUCT"](#) in "ENGINE MECHANICAL (EM)" section.
3. Remove battery bracket, using power tools.



4. Remove fluid charging pipe. Refer to [CVT-197, "Removal and Installation"](#) in "CVT" section.
5. Disconnect S connector.
6. Remove B terminal nut.
7. Remove starter motor mounting bolts, using power tools.
8. Remove starter motor to the direction of upper side the vehicle.



INSTALLATION

Install in the reverse order of removal.

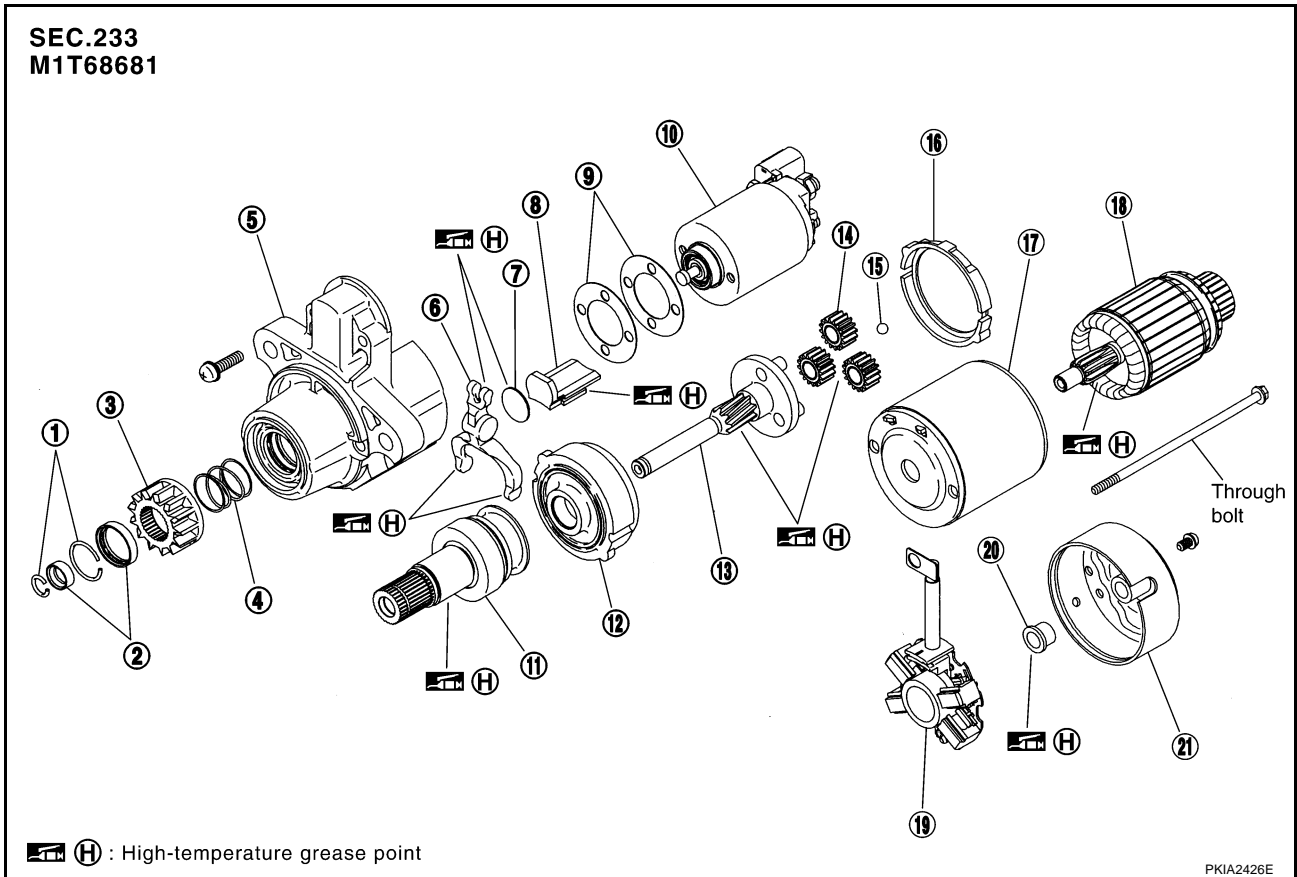
CAUTION:
Be sure to tighten B terminal nut carefully.

STARTING SYSTEM

Disassembly and Assembly

AKS004F3

A
B
C
D
E
F
G
H
I
J
SC
L
M



- | | | |
|------------------------------|---------------------------|----------------------------|
| 1. Stopper ring | 2. Pinion stopper | 3. Pinion assembly |
| 4. Pinion spring | 5. Front bracket assembly | 6. Shift lever |
| 7. Plate | 8. Packing | 9. Plate |
| 10. Magnetic switch assembly | 11. Clutch gear assembly | 12. Internal gear assembly |
| 13. Gear shaft assembly | 14. Gear assembly | 15. Ball |
| 16. Packing | 17. Yoke assembly | 18. Armature assembly |
| 19. Brush assembly | 20. Metal | 21. Rear cover |

Through-bolt

: 5.6 - 10.4 N·m (0.57 - 1.1 kg·m, 50 - 92 in·lb)

Inspection After Disassembly PINION/CLUTCH CHECK

AKS004F4

1. Inspect pinion teeth.
 - Replace pinion if teeth are worn or damaged. (Also check condition of ring gear teeth.)
2. Inspect reduction gear teeth.
 - Replace reduction gear if teeth are worn or damaged. (Also check condition of armature shaft gear teeth.)
3. Check to see if pinion locks in one direction and rotates smoothly in the opposite direction.
 - If it locks or rotates in both directions, or unusual resistance is evident, replace.

CHARGING SYSTEM

CHARGING SYSTEM

PFP:23100

System Description

AKS004F5

The alternator provides DC voltage to operate the vehicle's electrical system and to keep the battery charged. The voltage output is controlled by the IC regulator.

Power is supplied at all times:

- through 10A fuse (No. 33, located in the fuse and fusible link box)
- to alternator terminal 4 (S).

Terminal B supplies power to charge the battery and operate the vehicle's electrical system. Output voltage is controlled by the IC regulator at terminal 4 (S) detecting the input voltage.

The alternator is grounded to the engine block.

With the ignition switch in the ON or START position, power is supplied:

- through 10A fuse [No. 14, located in the fuse block (J/B)]
- to combination meter terminal 20 for the charge warning lamp.

Ground is supplied:

- to combination meter terminal 4
- through alternator terminal 3 (L)
- to alternator terminal E
- through body ground E29.

With power and ground supplied, the charge warning lamp will illuminate. When the alternator is providing sufficient voltage with the engine running, the ground is opened and the charge warning lamp will go off.

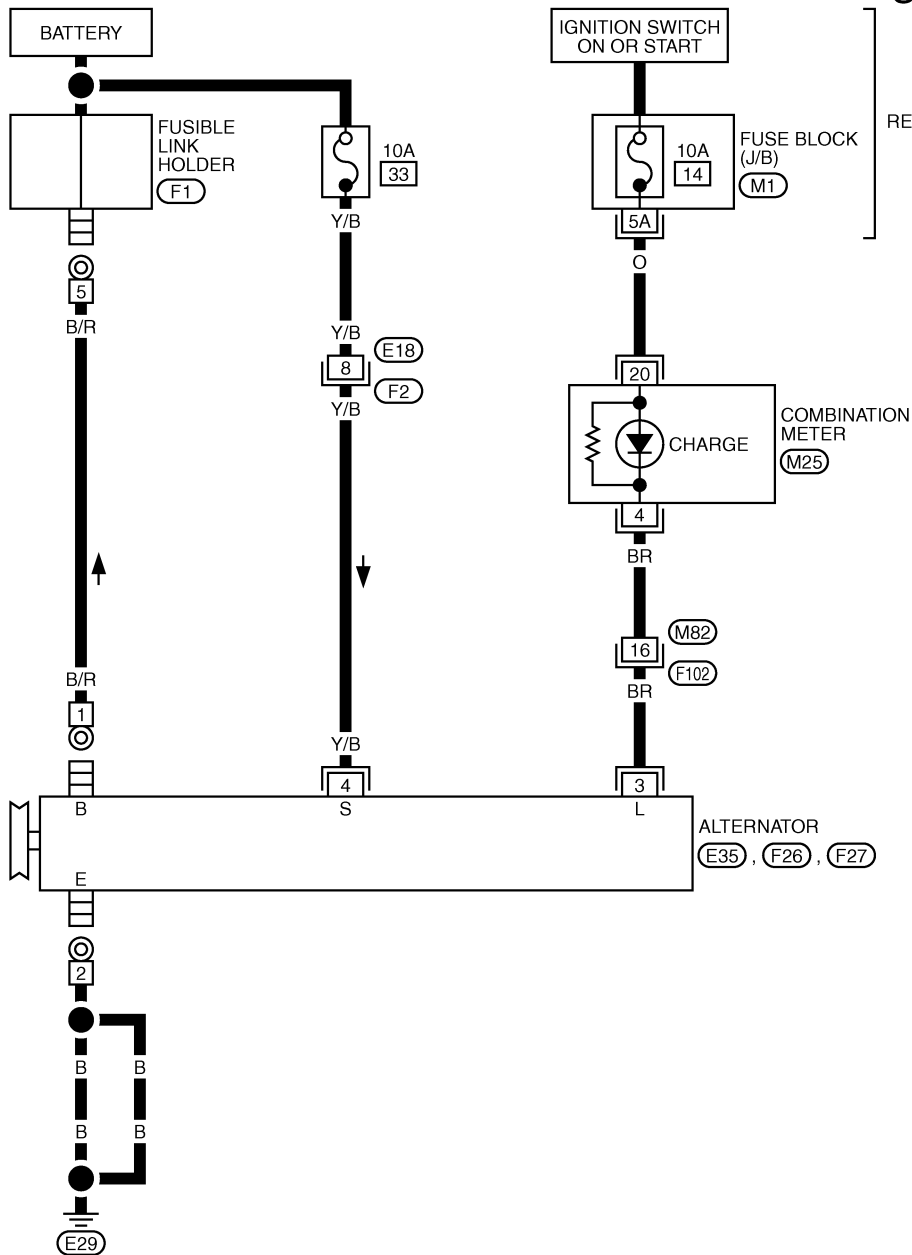
If the charge warning lamp illuminates with the engine running, a malfunction is indicated.

CHARGING SYSTEM

Wiring Diagram — CHARGE —

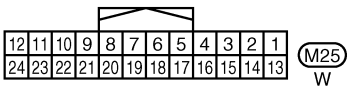
AKS004F6

SC-CHARGE-01



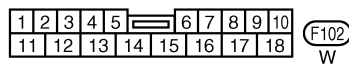
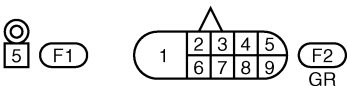
REFER TO PG-POWER.

A
B
C
D
E
F
G
H
I
J
SC
L
M



REFER TO THE FOLLOWING.

(M1) - FUSE BLOCK-JUNCTION BOX (J/B)



TKWA0735E

CHARGING SYSTEM

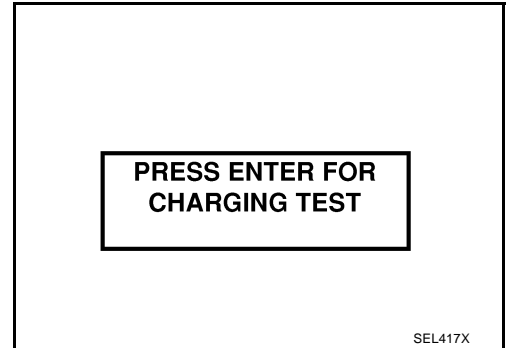
Trouble Diagnosis with Battery/Starting/Charging System Tester

AKS004F7

NOTE:

To ensure a complete and thorough diagnosis, the battery, starter and alternator test segments must be done as a set from start to finish.

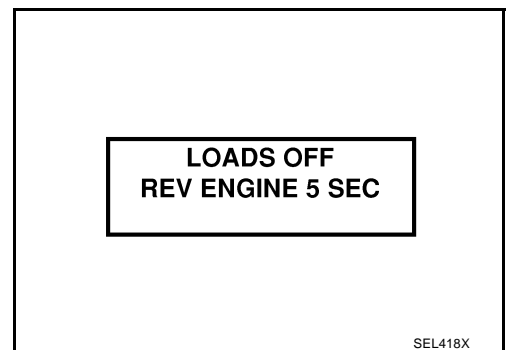
1. Turn off all loads on the vehicle electrical system.
2. Perform battery and starting system test with Battery/Starting/Charging system tester.
3. Press "ENTER" to begin the charging system test.
4. Start engine.



5. Press "ENTER" until "LOADS OFF REV ENGINE 5 SEC" is displayed.
6. Raise and hold the engine speed at 1,500 to 2,000 rpm for about 5 seconds, then return the engine to idle. Once the increase in engine rpm is detected, press "ENTER" to continue.

NOTE:

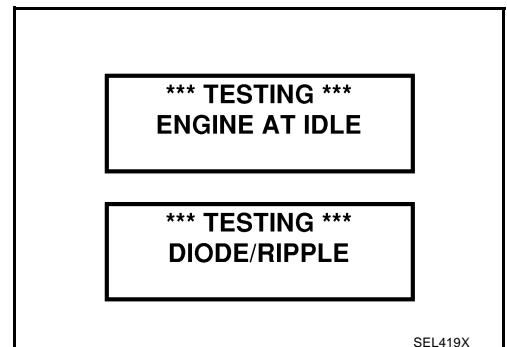
- If after 30 seconds an increase in engine idle speed is not detected, "RPM NOT DETECTED" will display.
- Some engines may have a higher idle initially after starting, particularly when the engine is cold. The tester may detect this without any other action being taken. If this occurs, continue on with the testing process. The final results will not be affected.



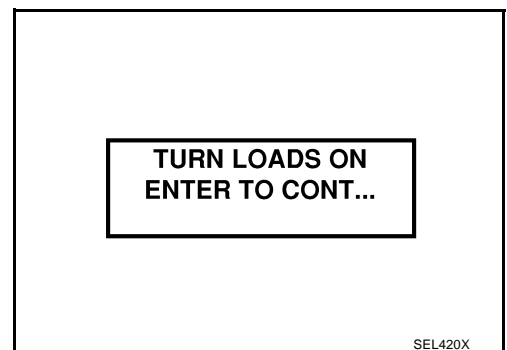
7. The tester now checks the engine at idle and performs the DIODE/RIPPLE check.
8. When complete, the tester will prompt you to turn on the following electrical loads.
 - Heater fan set to highest speed. Do not run the A/C or windshield defroster.
 - Headlamp high beam
 - Rear window defogger

NOTE:

Do not run the windshield wipers or any other cyclical loads.



9. Press "ENTER" to continue.

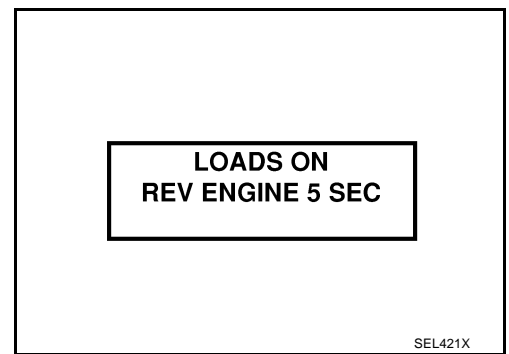


CHARGING SYSTEM

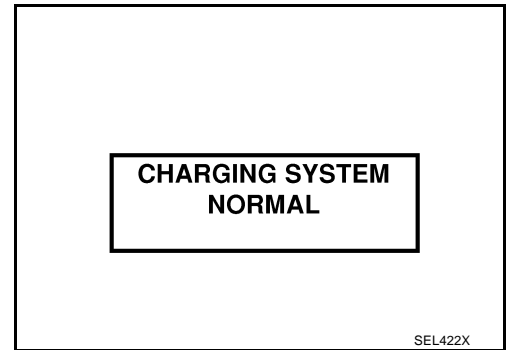
10. Raise and hold the engine speed at 1,500 to 2,000 rpm for about 5 seconds, then return the engine to idle. Once the increase in engine rpm is detected, press "ENTER" to continue.

NOTE:

If after 30 seconds an increase in engine idle speed is not detected, "RPM NOT DETECTED" will be displayed. Press "ENTER" to restart the test.



11. Diagnostic result is displayed on the tester. Refer to [SC-21, "DIAGNOSTIC RESULT ITEM CHART"](#) .



12. Press "ENTER" then test output code is displayed. Record the test output code on the repair order.
 13. Toggle back to the "DIAGNOSTIC SCREEN" for test results.

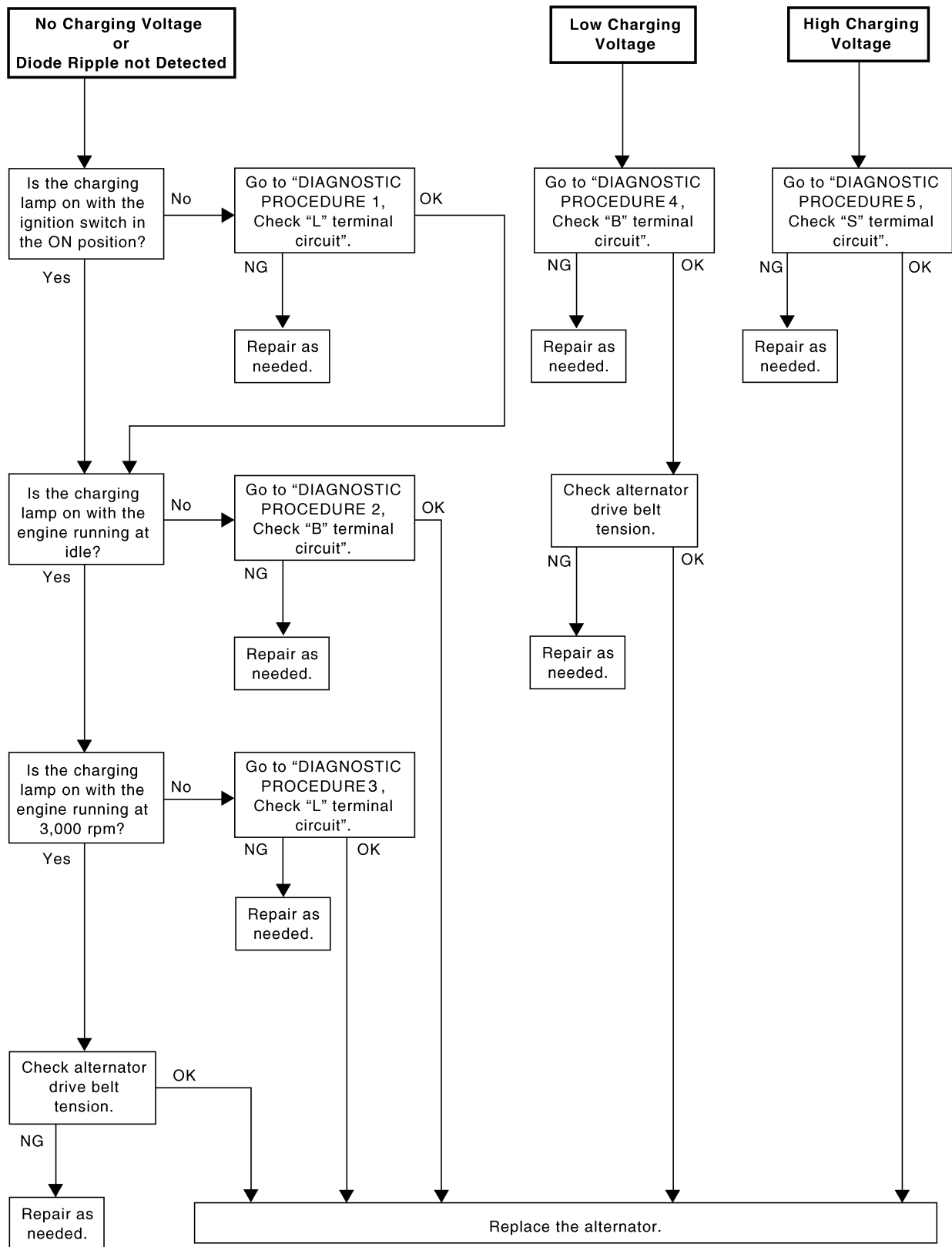


DIAGNOSTIC RESULT ITEM CHART

Diagnostic item	Service procedure
CHARGING SYSTEM NORMAL	Charging system is normal and will also show DIODE RIPPLE test result.
NO CHARGING VOLTAGE	Go to SC-22, "WORK FLOW" .
LOW CHARGING VOLTAGE	
HIGH CHARGING VOLTAGE	
DIODE RIPPLE NORMAL	Diode ripple is OK and will also show CHARGING VOLTAGE test result.
EXCESS RIPPLE DETECTED	Replace the alternator. Perform "DIODE RIPPLE" test again using Battery/Starting/Charging system tester to confirm repair.
DIODE RIPPLE NOT DETECTED	Go to SC-22, "WORK FLOW" .

CHARGING SYSTEM

WORK FLOW



PKIA2226E

CHARGING SYSTEM

DIAGNOSTIC PROCEDURE 1

Check "L" Terminal Circuit

1. CHECK "L" TERMINAL CONNECTION

Check to see if "L" terminal is clean and tight.

OK or NG

OK >> GO TO 2.

NG >> Repair "L" terminal connection. Confirm repair by performing complete Battery/Starting/Charging system test.

2. CHECK "L" TERMINAL CIRCUIT

1. Disconnect alternator connector.
2. Apply ground to alternator harness connector F27 terminal 3 (BR) with the ignition switch in the ON position.

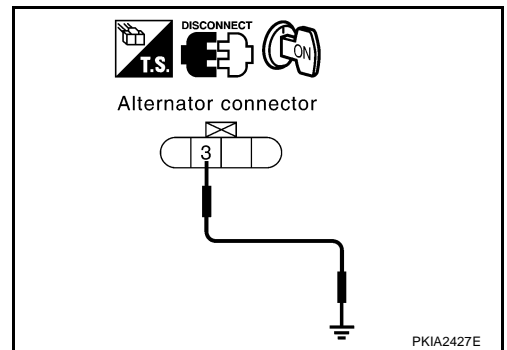
CHARGE lamp should light up.

OK or NG

OK >> Go to [SC-22, "WORK FLOW"](#) .

NG >> Check the following.

- 10A fuse [No. 14, located in the fuse block (J/B)]
- CHARGE lamp
- Harness for open or short between combination meter and fuse
- Harness for open or short between combination meter and alternator



DIAGNOSTIC PROCEDURE 2

Check "B" Terminal Circuit

1. CHECK "B" TERMINAL CONNECTION

Check to see if "B" terminal is clean and tight.

OK or NG

OK >> GO TO 2.

NG >> Repair "B" terminal connection. Confirm repair by performing complete Battery/Starting/Charging system test.

2. CHECK ALTERNATOR "B" TERMINAL CIRCUIT

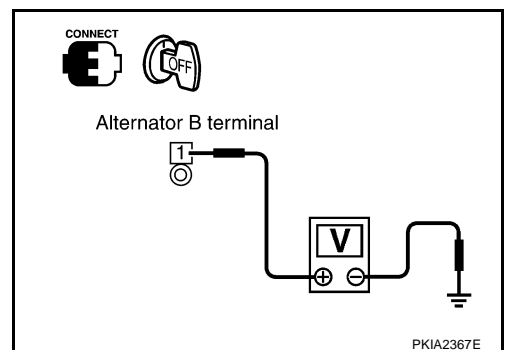
Check voltage between alternator B terminal F26 terminal 1 (B/R) and ground using a digital circuit tester.

Battery voltage should exist.

OK or NG

OK >> GO TO 3.

NG >> Check harness for open or short between alternator and battery



CHARGING SYSTEM

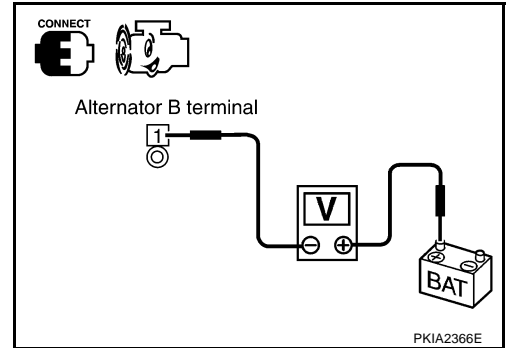
3. CHECK "B" TERMINAL CONNECTION (VOLTAGE DROP TEST)

1. Start the engine.
2. When the engine running at idle and warm, check voltage between alternator B terminal F26 terminal 1 (B/R) and battery positive terminal using a digital circuit tester.

Voltage: Less than 0.2V

OK or NG

- OK >> Replace the alternator. Confirm repair by performing complete Battery/Starting/Charging system test.
- NG >> Check harness between the battery and the alternator for poor continuity.



DIAGNOSTIC PROCEDURE 3

Check "L" Terminal Circuit

1. CHECK "L" TERMINAL CONNECTION

Check to see if "L" terminal is clean and tight.

OK or NG

- OK >> GO TO 2.
- NG >> Repair "L" terminal connection. Confirm repair by performing complete Battery/Starting/Charging system test.

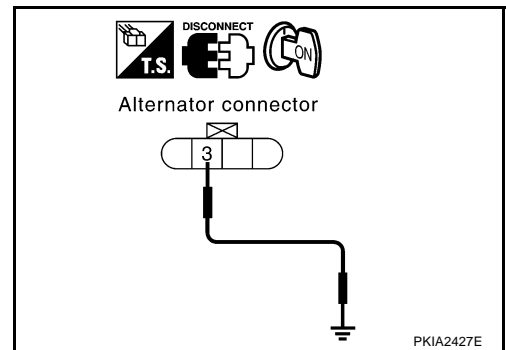
2. CHECK "L" TERMINAL CIRCUIT

1. Disconnect alternator connector.
2. Apply ground to alternator harness connector F27 terminal 3 (BR) with the ignition switch in the ON position.

CHARGE lamp should light up.

OK or NG

- OK >> Replace the alternator. Confirm repair by performing complete Battery/Starting/Charging system test.
- NG >> Check the following.
- 10A fuse [No. 14, located in the fuse block (J/B)]
 - CHARGE lamp
 - Harness for open or short between combination meter and fuse
 - Harness for open or short between combination meter and alternator



CHARGING SYSTEM

DIAGNOSTIC PROCEDURE 4

Check "B" Terminal Circuit

1. CHECK "B" TERMINAL CONNECTION

Check to see if "B" terminal is clean and tight.

OK or NG

- OK >> GO TO 2. Confirm repair by performing complete Battery/Starting/Charging system test.
- NG >> Repair "B" terminal connection.

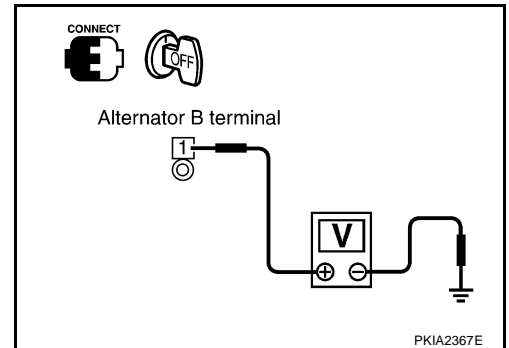
2. CHECK ALTERNATOR "B" TERMINAL CIRCUIT

Check voltage between alternator B terminal F26 terminal 1 (B/R) and ground using a digital circuit tester.

Battery voltage should exist.

OK or NG

- OK >> GO TO 3.
- NG >> Check harness for open or short between alternator and battery.



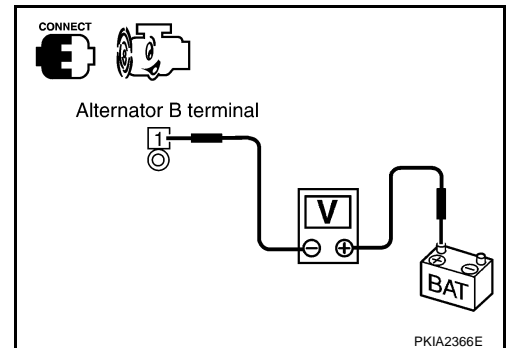
3. CHECK "B" TERMINAL CONNECTION (VOLTAGE DROP TEST)

1. Start the engine.
2. When the engine running at idle and warm, check voltage between alternator B terminal F26 terminal 1 (B/R) and battery positive terminal using a digital circuit tester.

Voltage: Less than 0.2V

OK or NG

- OK >> GO TO 4.
- NG >> Check harness between the battery and the alternator for poor continuity.



4. CHECK ALTERNATOR DRIVE BELT TENSION

1. Turn ignition switch OFF.
2. Check alternator drive belt tension. Refer to [EM-11, "Checking Drive Belts"](#) in "ENGINE MECHANICAL (EM)" section.

Does drive belt tension normal?

YES or NO

- YES >> Replace the alternator. Confirm repair by performing complete Battery/Starting/Charging system test.
- NO >> Readjust belt tension. Refer to [EM-11, "Tension Adjustment"](#) in "ENGINE MECHANICAL (EM)" section.

CHARGING SYSTEM

DIAGNOSTIC PROCEDURE 5

Check "S" Terminal Circuit

1. CHECK "S" TERMINAL CONNECTION

Check to see if "S" terminal is clean and tight.

OK or NG

OK >> GO TO 2.

NG >> Repair "S" terminal connection. Confirm repair by performing complete Battery/Starting/Charging system test.

2. CHECK ALTERNATOR "S" TERMINAL CIRCUIT

Check voltage between alternator harness connector F27 terminal 4 (Y/B) and ground using a digital circuit tester.

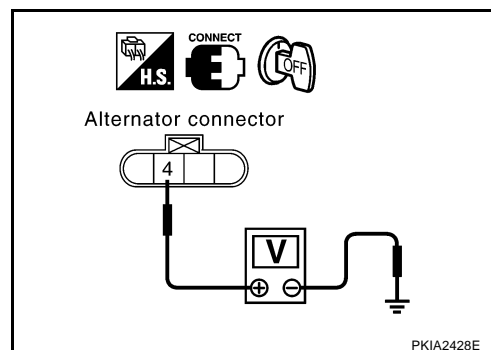
Battery voltage should exist.

OK or NG

OK >> GO TO 3.

NG >> Check the following.

- 10A fuse (No. 33, located in the fuse and fusible link box)
- Harness for open or short between alternator and fuse



3. CHECK "S" TERMINAL CONNECTION (VOLTAGE DROP TEST)

1. Start the engine.

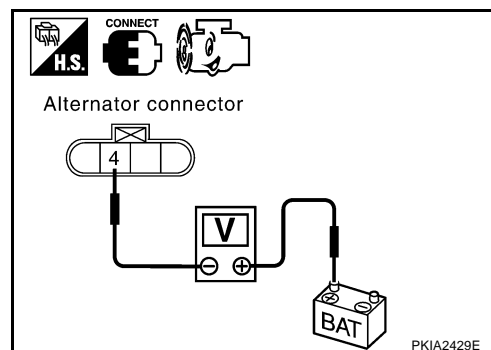
2. When the engine running at idle and warm, check voltage between alternator connector F27 terminal 4 (Y/B) and battery positive terminal using a digital circuit tester.

Voltage: Less than 0.2V

OK or NG

OK >> Replace the alternator. Confirm repair by performing complete Battery/Starting/Charging system test.

NG >> Check harness between the battery and the alternator for poor continuity.



MALFUNCTION INDICATOR

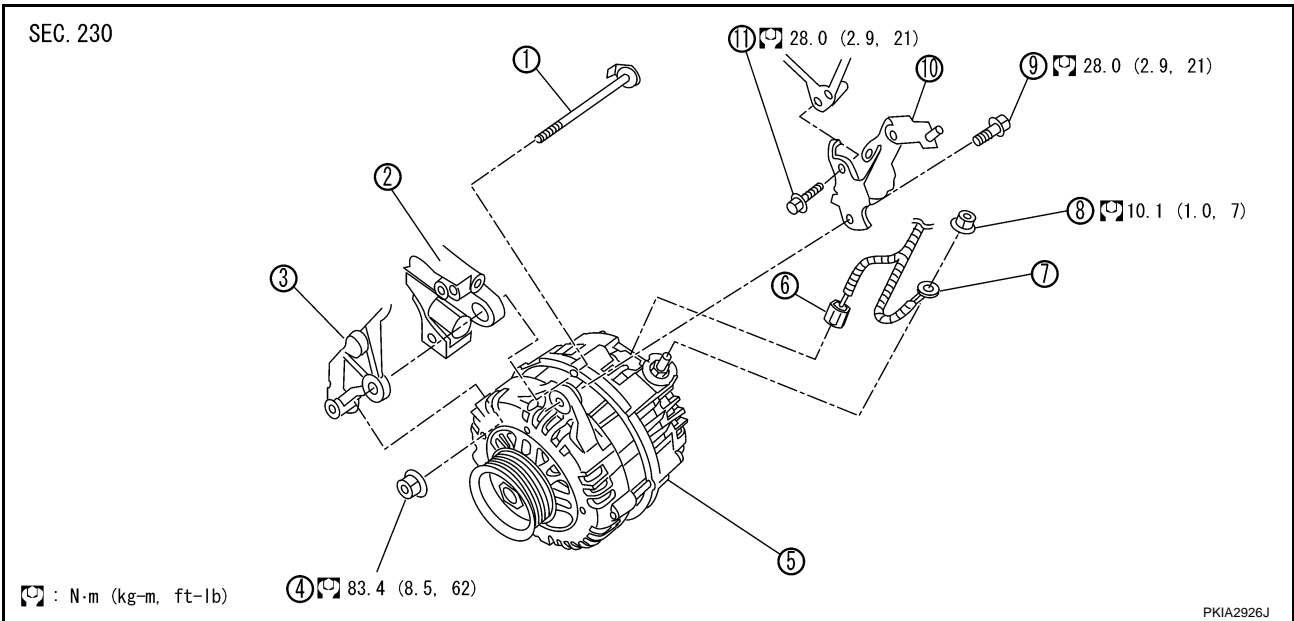
The IC regulator warning function activates to illuminate "CHARGE" warning lamp, if any of the following symptoms occur while alternator is operating:

- Excessive voltage is produced.
- No voltage is produced.

CHARGING SYSTEM

Removal and Installation

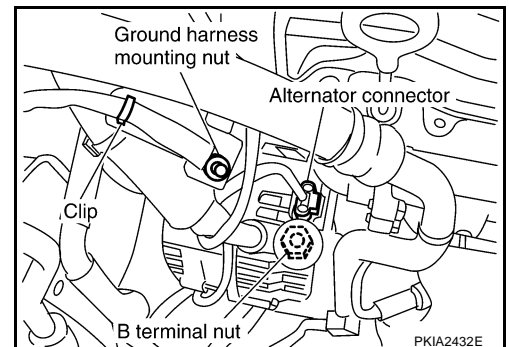
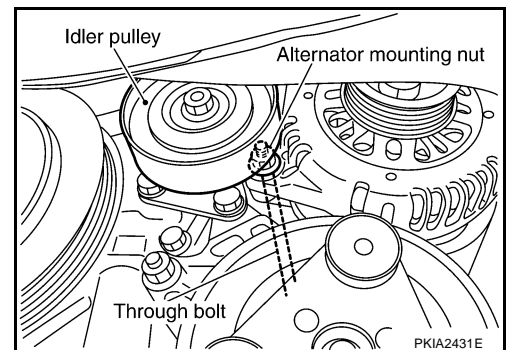
AKS004F8



- | | | |
|----------------------------|------------------------|-----------------------------|
| 1. Through-bolt | 2. Cylinder block | 3. Timing chain case |
| 4. Alternator mounting nut | 5. Alternator | 6. Alternator connector |
| 7. B terminal harness | 8. B terminal nut | 9. Alternator mounting bolt |
| 10. Alternator bracket | 11. Alternator bracket | |

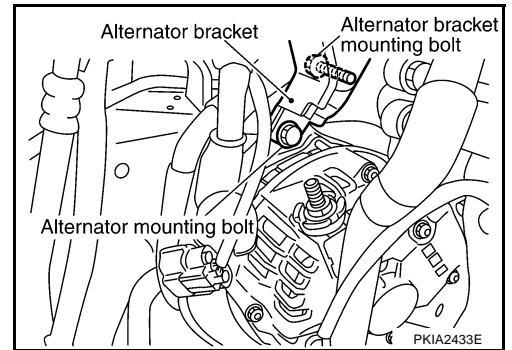
REMOVAL

1. Disconnect negative battery terminal.
2. Remove engine undercover, using power tools.
3. Remove engine right side undercover.
4. Remove radiator. Refer to [CO-12, "RADIATOR"](#) in "ENGINE COOLING SYSTEM (CO)" section.
5. Remove alternator and air conditioner compressor belt. Refer to [EM-12, "Removal and Installation"](#) in "ENGINE MECHANICAL (EM)" section.
6. Remove idler pulley.
7. Remove alternator mounting nut using power tools.
8. Remove through-bolt.
9. Disconnect alternator connector.
10. Remove B terminal nut.
11. Remove ground harness clip and ground harness mounting nut.



CHARGING SYSTEM

12. Remove alternator mounting bolt.
13. Remove alternator bracket mounting bolt and alternator bracket.
14. Remove alternator to the direction of upper side the vehicle.



INSTALLATION

Note the following, and install in the reverse order of removal.

- Install alternator, and check tension of belt. Refer to [EM-11, "Checking Drive Belts"](#) in "ENGINE MECHANICAL (EM)" section.

CAUTION:

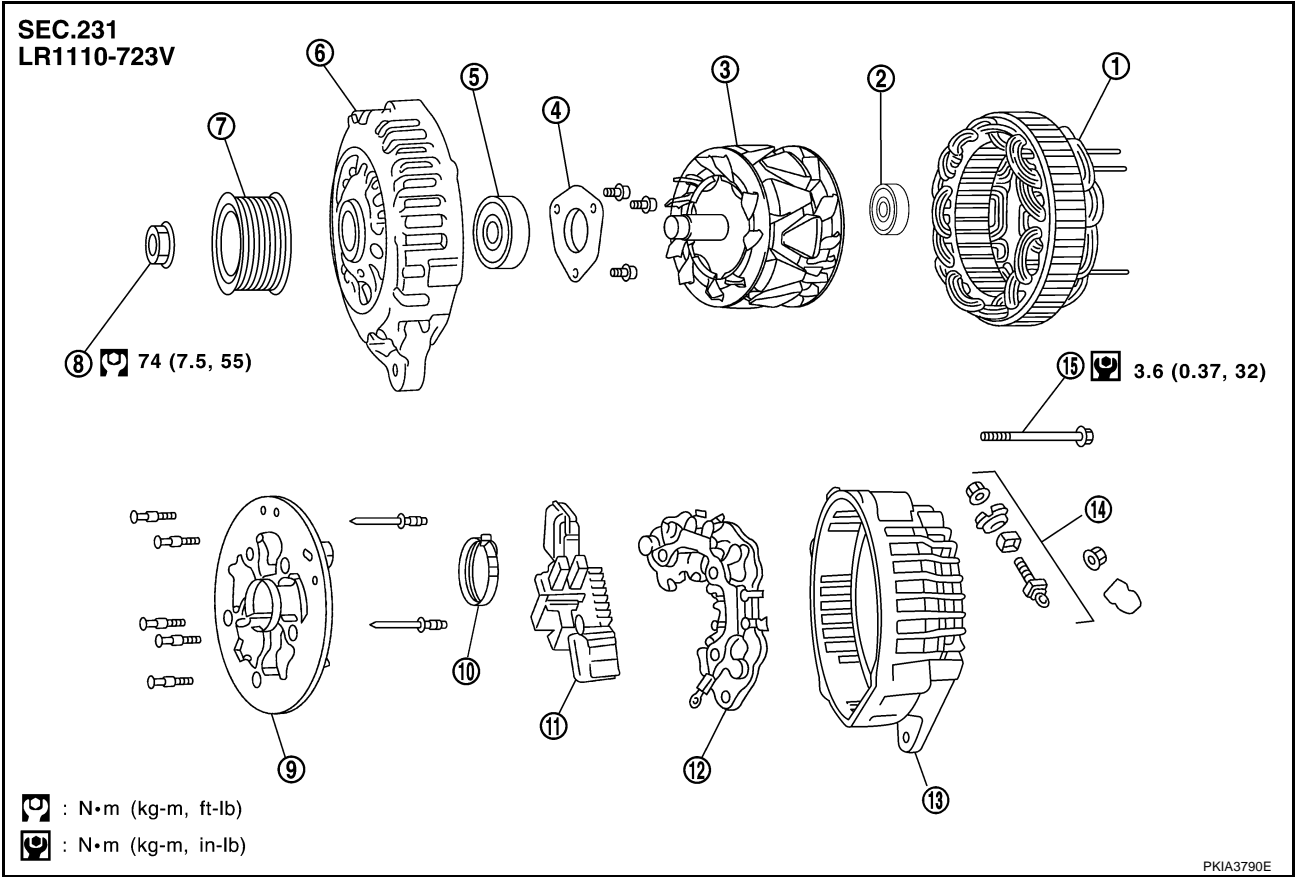
Be sure to tighten B terminal nut carefully.

CHARGING SYSTEM

Disassembly and Assembly

AKS004F9

A
B
C
D
E
F
G
H
I
J
L
M



- | | | |
|---------------------------|-----------------------------------|--------------------|
| 1. Stator | 2. Rear bearing | 3. Rotor assembly |
| 4. Retainer | 5. Front bearing | 6. Front cover |
| 7. Pulley | 8. Pulley nut | 9. Fan guide |
| 10. Double labyrinth seal | 11. IC voltage regulator assembly | 12. Diode assembly |
| 13. Rear cover | 14. Terminal set | 15. Through-bolt |

SC

SERVICE DATA AND SPECIFICATIONS (SDS)

SERVICE DATA AND SPECIFICATIONS (SDS)

PFP:00030

Battery

AKS004FA

Type	80D23L
Capacity	12V - 52AH
Cold cranking current (For reference value)	582A

Starter

AKS004FB

Type		M1T68681
		MITSUBISHI make
		Reduction gear type
System voltage		12V
No-load	Terminal voltage	11V
	Current	Less than 90A
	Revolution	More than 2,750 rpm
Minimum diameter of commutator		28.8 mm (1.134 in)
Minimum length of brush		5.5 mm (0.217 in)
Brush spring tension		15.0 - 20.4 N (1.53 - 20.8 kg, 3.3 - 4.5 lb)
Clearance between bearing metal and armature shaft		Less than 0.2 mm (0.008 in)
Movement "ℓ" in height of pinion assembly		0.5 - 2.0 mm (0.020 - 0.079 in)

Alternator

AKS004FC

Type		LR1110 - 723V
		HITACHI make
Nominal rating		12V - 110A
Ground polarity		Negative
Minimum revolution under no-load (When 13.5V is applied)		Less than 1,100 rpm
Hot output current (When 13.5V is applied)		(More than 35A/1,300rpm)
		More than 70A/1,800 rpm
		More than 91A/2,500 rpm
		More than 110A/5,000 rpm
Regulated output voltage		14.1 - 14.7V
Minimum length of brush		More than 6.00 mm (0.236 in)
Brush spring pressure		1.00 - 3.43 N (102 - 350 g, 3.60 - 12.34 oz)
Slip ring minimum outer diameter		More than 26.0 mm (1.024 in)
Rotor (Field coil) resistance		2.16 - 2.45Ω