

SECTION **FSU**  
FRONT SUSPENSION

A  
B  
C  
D

**FSU**

CONTENTS

<b>PRECAUTIONS</b> .....	2	REMOVAL .....	9	F
Caution .....	2	INSTALLATION .....	9	
<b>PREPARATION</b> .....	3	Disassembly and Assembly .....	9	
Special Service Tools (SST) .....	3	DISASSEMBLY .....	9	G
Commercial Service Tools .....	3	INSPECTION AFTER DISASSEMBLY .....	10	
<b>NOISE, VIBRATION AND HARSHNESS (NVH)</b>		ASSEMBLY .....	10	
<b>TROUBLESHOOTING</b> .....	4	<b>TRANSVERSE LINK</b> .....	12	H
NVH Troubleshooting Chart .....	4	Removal and Installation .....	12	
<b>FRONT SUSPENSION ASSEMBLY</b> .....	5	REMOVAL .....	12	
On-Vehicle Inspection .....	5	INSPECTION AFTER REMOVAL .....	12	
INSPECTION OF TRANSVERSE LINK END		INSTALLATION .....	12	I
PLAY .....	5	<b>STABILIZER BAR</b> .....	14	
STRUT INSPECTION .....	5	Removal and Installation .....	14	
Wheel Alignment Inspection .....	5	REMOVAL .....	14	J
DESCRIPTION .....	5	INSPECTION AFTER REMOVAL .....	14	
PRELIMINARY CHECK .....	5	INSTALLATION .....	14	
GENERAL INFORMATION AND RECOMMEN-		<b>FRONT SUSPENSION MEMBER</b> .....	15	K
DATIONS .....	5	Removal and Installation .....	15	
THE ALIGNMENT PROCESS .....	6	REMOVAL .....	15	
INSPECTION OF CAMBER, CASTER AND		INSPECTION AFTER REMOVAL .....	15	
KINGPIN INCLINATION ANGLES .....	6	INSTALLATION .....	15	L
Components .....	7	<b>SERVICE DATA AND SPECIFICATIONS (SDS)</b> .....	16	
Removal and Installation .....	8	Wheel Alignment (Unladen*) .....	16	
<b>COIL SPRING AND STRUT</b> .....	9	Ball Joint .....	16	M
Removal and Installation .....	9	Wheelarch Height (Unladen*) .....	16	

# PRECAUTIONS

---

## PRECAUTIONS

PFP:00001

### Caution

NES00085

- When installing rubber bushings, final tightening must be carried out under unladen conditions with tires on ground. Oil will shorten the life of rubber bushings. Be sure to wipe off any spilled oil.
- Unladen conditions mean that fuel, engine coolant and lubricant are full. Spare tire, jack, hand tools and mats are in designated positions.
- After servicing suspension parts, be sure to check wheel alignment.
- Caulking nuts are not reusable. Always use new ones when installing. Since new caulking nuts are pre-oiled, tighten as they are.

# PREPARATION

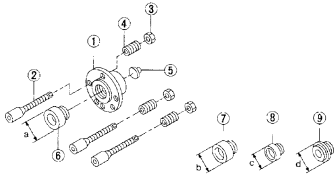
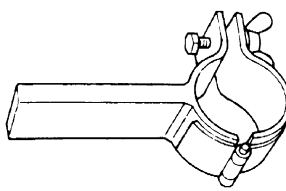
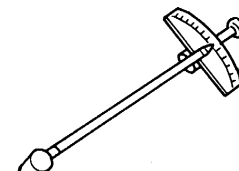
## PREPARATION

PPF:00002

### Special Service Tools (SST)

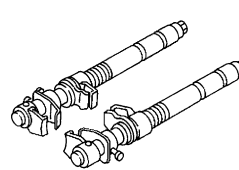
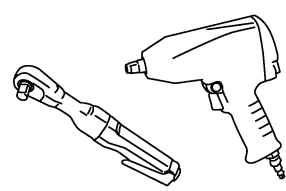
NES00086

The actual shapes of Kent-Moore tools may differ from those of special service tools illustrated here.

Tool number (Kent-Moore No.) Tool name	Description
KV991040S0 ( — ) CCK gauge attachment 1. Plate 2. Guide bolts 3. Nuts 4. Springs 5. Center plate 6. KV99104020 Adapter A a: 72 mm (2.83 in) dia. 7. KV99104030 Adapter B b: 65 mm (2.56 in) dia. 8. KV99104040 Adapter C c: 57 mm (2.24 in) dia. 9. KV99104050 Adapter D d: 53.4 mm (2.102 in) dia.	Measuring wheel alignment  <p style="text-align: center;">S-NT498</p>
ST35652000 ( — ) Strut attachment	Disassembling and assembling strut  <p style="text-align: center;">ZZA0807D</p>
ST3127S000 (J-25765-A)	Measuring sliding torque of ball joint  <p style="text-align: center;">ZZA0806D</p>

## Commercial Service Tools

NES00087

Tool name	Description
Spring compressor	Removing and installing coil spring  <p style="text-align: center;">S-NT717</p>
Power tool	Loosening bolts and nuts  <p style="text-align: center;">PBIC0190E</p>



# FRONT SUSPENSION ASSEMBLY

## FRONT SUSPENSION ASSEMBLY

PFP:54010

### On-Vehicle Inspection

NES00089

Make sure the mounting conditions (looseness, back lash) of each component and component statuses (wear, damage) are normal.

### INSPECTION OF TRANSVERSE LINK END PLAY

1. Set front wheels in a straight-ahead position. Do not depress brake pedal.
2. Measure axial end play of transverse link ball joint by prying between suspension arm and front axle with a iron bar or something similar.

**Axial end play : 0 mm (0 in)**

#### **CAUTION:**

**Be careful not to damage ball joint boot.**

### STRUT INSPECTION

Check strut for oil leakage, damage and replace if necessary.

### Wheel Alignment Inspection

NES0008A

#### DESCRIPTION

- Measure wheel alignment under unladen conditions. "Unladen conditions" means that fuel, engine coolant, and lubricant are full. Spare tire, jack, hand tools and mats are in designated positions.

### PRELIMINARY CHECK

- Check tires for improper air pressure and wear.
- Check road wheels for runout.
- Check wheel bearing axial end play.
- Check transverse link ball joint axial end play.
- Check strut operation.
- Check each mounting point of axle and suspension for looseness and deformation.
- Check each link, rod, and member for cracks, deformation and other damage.
- Check vehicle posture.

### GENERAL INFORMATION AND RECOMMENDATIONS

- A four-wheel thrust alignment should be performed.
  - This type of alignment is recommended for any NISSAN/INFINITI vehicle.
  - The four-wheel "thrust" process helps ensure that the vehicle is properly aligned and the steering wheel is centered.
  - The alignment rack itself should be capable of accepting any NISSAN/INFINITI vehicle.
  - The rack should be checked to ensure that it is level.
- Make sure the machine is properly calibrated.
  - Your alignment equipment should be regularly calibrated in order to give correct information.
  - Check with the manufacturer of your specific equipment for their recommended Service/Calibration Schedule.

# FRONT SUSPENSION ASSEMBLY

## THE ALIGNMENT PROCESS

### IMPORTANT:

Use only the alignment specifications listed in this Service Manual.

- When displaying the alignment settings, many alignment machines use “indicators”: (Green/red, plus or minus, Go/No Go). **Do NOT use these indicators.**
- The alignment specifications programmed into your machine that operate these indicators may not be correct.
- This may result in an ERROR.
- Some newer alignment machines are equipped with an optional “Rolling Compensation” method to “compensate” the sensors (alignment targets or head units). **DO NOT use this “Rolling Compensation” method.**
- Use the “Jacking Compensation Method”. After installing the alignment targets or head units, raise the vehicle and rotate the wheels 1/2 turn both ways.
- See Instructions in the alignment machine you're using for more information on this.

## INSPECTION OF CAMBER, CASTER AND KINGPIN INCLINATION ANGLES

- Camber, caster, kingpin inclination angles cannot be adjusted.
- Before inspection, mount front wheels onto turning radius gauge. Mount rear wheels onto a stand that has same height so vehicle will remain horizontal.

### Using a CCK Gauge

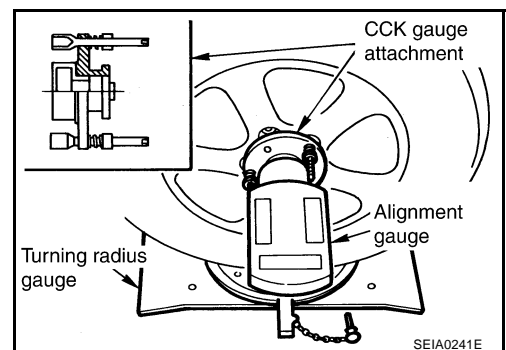
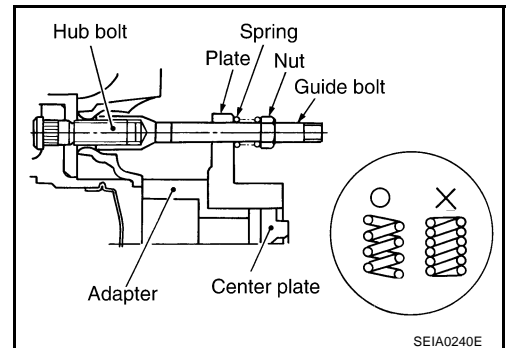
1. Remove wheel nuts (3), and install a guide bolt (SST) to hub bolt.
  2. Screw adapter (SST) into plate body (SST) until it contacts body tightly.
  3. Screw center plate (SST) into plate body (SST).
  4. Insert plate (SST) on guide bolt (SST). Put spring in, and then evenly screw in guide bolt nut (SST). When fastening guide bolt nut, do not completely compress spring.
5. Place the dent of alignment gauge onto the projection of center plate (SST) and tightly contact them to measure.

**Camber, caster, kingpin inclination angles:**

**Refer to [FSU-16, "SERVICE DATA AND SPECIFICATIONS \(SDS\)"](#) .**

### CAUTION:

- If camber, caster, or kingpin inclination angle is outside the standard, check front suspension parts for wear and damage, and replace suspect parts if necessary.
- Kingpin inclination angle is reference value, no inspection is required. (Due to the type of suspension, the kingpin inclination angle cannot be measured correctly using a normal alignment tester.)



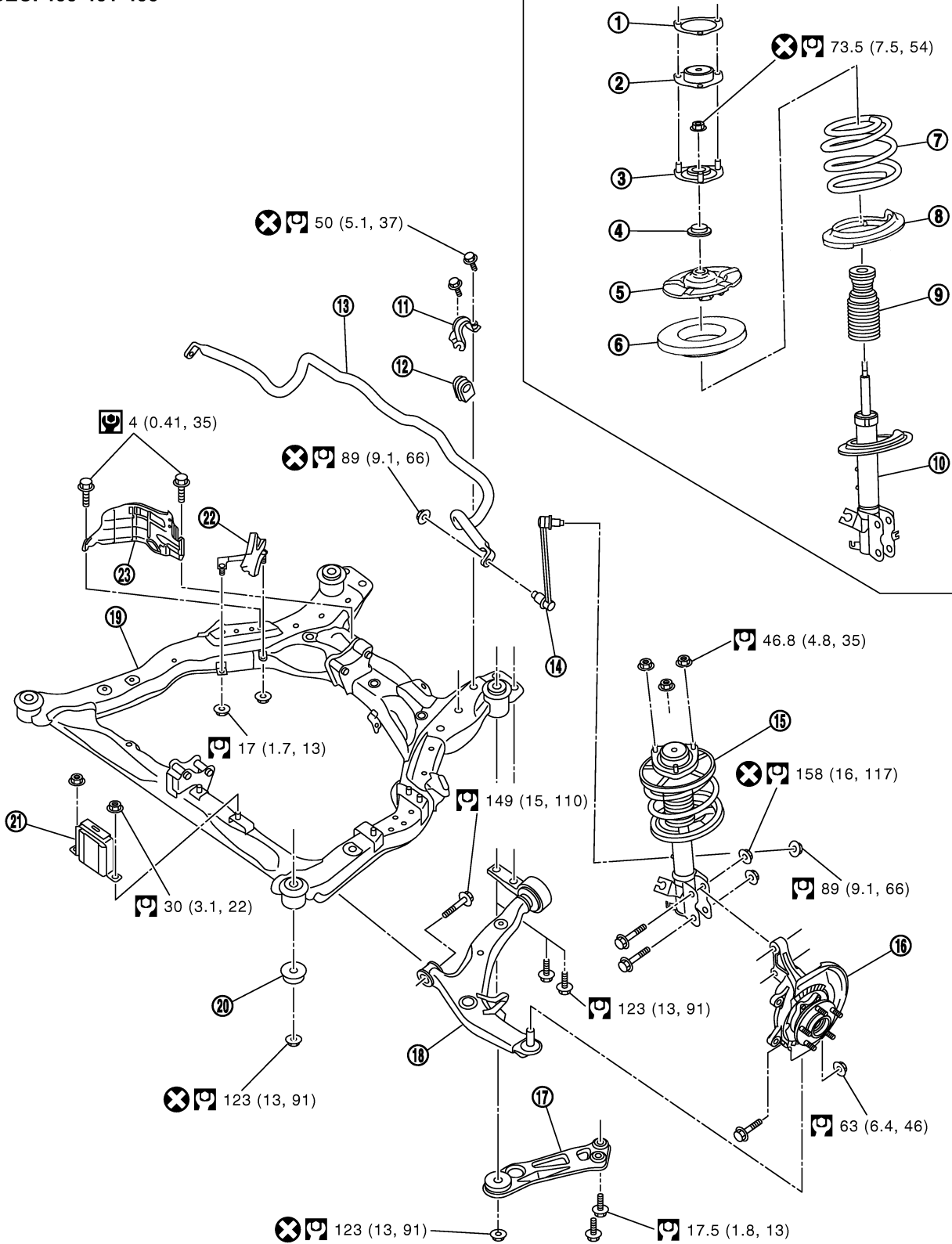
# FRONT SUSPENSION ASSEMBLY

## Components

NES0008B

A  
B  
C  
D  
FSU  
F  
G  
H  
I  
J  
K  
L  
M

SEC. 400•401•406



PEIA0083E

# FRONT SUSPENSION ASSEMBLY

---

- |                             |                             |                                  |
|-----------------------------|-----------------------------|----------------------------------|
| 1. Upper mounting plate     | 2. Mounting insulator       | 3. Mounting insulator bracket    |
| 4. Mounting bearing         | 5. Spring upper seat        | 6. Spring upper rubber seat      |
| 7. Coil spring              | 8. Spring lower rubber seat | 9. Bound bumper                  |
| 10. Strut                   | 11. Stabilizer clamp        | 12. Stabilizer bushing           |
| 13. Stabilizer bar          | 14. Connecting rod          | 15. Strut assembly               |
| 16. Front axle assembly     | 17. Member stay             | 18. Transverse link              |
| 19. Front suspension member | 20. Rebound stopper         | 21. Damper assembly (2WD models) |
| 22. Air guide               | 23. Heat insulator          |                                  |

Refer to [GI-10, "Components"](#) , for the symbols in the figure.

## Removal and Installation

NES0008C

Remove suspension assembly with engine assembly from vehicle. Refer to "ENGINE MECHANICAL" section [EM-108, "ENGINE ASSEMBLY"](#) .



# COIL SPRING AND STRUT

## COIL SPRING AND STRUT

PPF:55302

### Removal and Installation

NES0008D

#### REMOVAL

1. Remove tire with power tool.
2. Remove cowl top grille. Refer to [EI-20, "COWL TOP"](#) .
3. Remove brake caliper with power tool. Hang it in a place where it will not interfere with work. Refer to [BR-27, "Removal and Installation of Brake Caliper Assembly"](#) .
4. Remove lock plate of brake hose from strut assembly.
5. Remove harness of wheel sensor from strut assembly. Refer to [BRC-43, "WHEEL SENSORS"](#) .

#### NOTE:

Do not pull on wheel sensor harness.

6. Remove mounting nut between strut assembly and connecting rod.
7. Remove mounting bolt and nut between strut assembly and steering knuckle with power tool.
8. Remove mounting nuts on mounting insulator bracket with power tool, then remove strut assembly from vehicle.

#### INSTALLATION

- Refer to [FSU-7, "Components"](#) for tightening torque. Install in the reverse order of removal.

#### NOTE:

Refer to component parts location and do not reuse non-reusable parts.

- Perform final tightening of strut assembly lower side (rubber bushing) under unladen conditions with tires on level ground. Check wheel alignment. Refer to [FSU-16, "SERVICE DATA AND SPECIFICATIONS \(SDS\)"](#) .

### Disassembly and Assembly

#### DISASSEMBLY

NES0008E

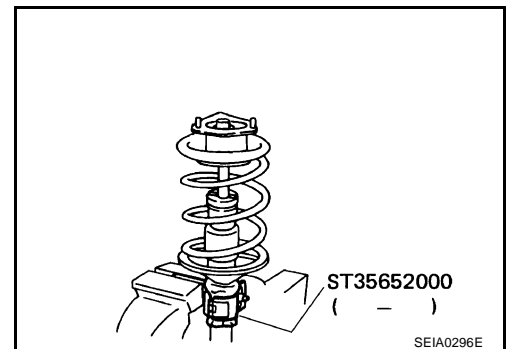
#### NOTE:

Make sure piston rod on strut is not damaged when removing components from strut assembly.

1. Install strut attachment (SST) to strut and fix it in a vise.

#### CAUTION:

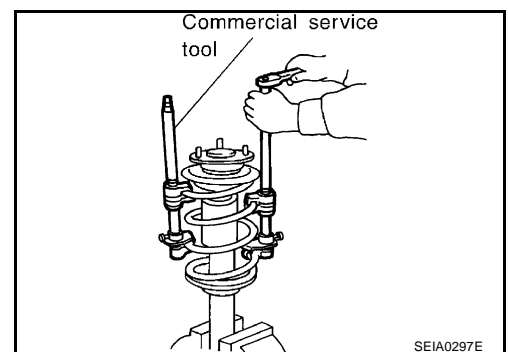
**When installing strut attachment (SST) to strut, wrap a shop cloth around strut to protect it from damage.**



2. Using a spring compressor (commercial service tool), compress coil spring between spring upper seat and spring lower seat (on strut) until coil spring is free.

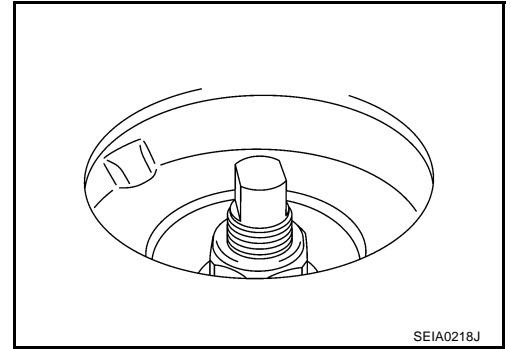
#### CAUTION:

**Be sure spring compressor (commercial service tool) is securely attached to coil spring. Compress coil spring.**



## COIL SPRING AND STRUT

3. Make sure coil spring between spring upper seat and spring lower seat is free and then secure piston rod tip so that piston rod does not turn, and remove piston rod lock nut.



4. Remove upper mounting plate, mounting insulator, mounting insulator bracket, mounting bearing, spring upper rubber seat coil spring, spring lower rubber seat from strut.
5. Gradually release spring compressor (commercial service tool), and remove coil spring.

### **CAUTION:**

**Loosen while making sure coil spring attachment position does not move.**

6. Remove bound bumper from spring upper seat.
7. Remove strut attachment (SST) from strut.

## INSPECTION AFTER DISASSEMBLY

### Strut Inspection

- Check strut for deformation, cracks or damage, and replace if necessary.
- Check piston rod for damage, uneven wear or distortion, and replace if necessary.
- Check welded and sealed areas for oil leakage, and replace if necessary.

### Mounting Insulator and Rubber Parts Inspection

Check mounting insulator for cracks and rubber parts for wear. Replace them if necessary.

### Coil Spring Inspection

Check coil spring for cracks, wear or damage, and replace if necessary.

## ASSEMBLY

### NOTE:

Make sure piston rod on strut is not damaged when attaching components to strut.

1. Install strut attachment (SST) to strut and fix it in a vise.

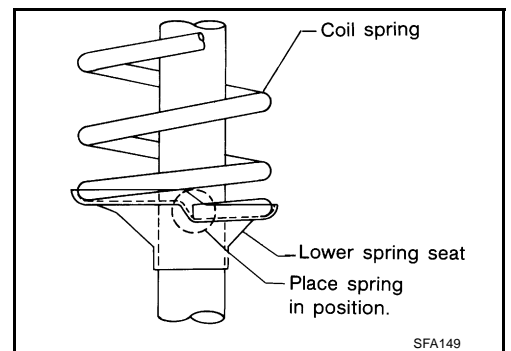
### **CAUTION:**

**When installing strut attachment (SST) to strut, wrap a shop cloth around strut to protect it from damage.**

2. Install spring lower seat to strut.
3. Compress coil spring using a spring compressor (commercial service tool), and install it onto strut.

### **CAUTION:**

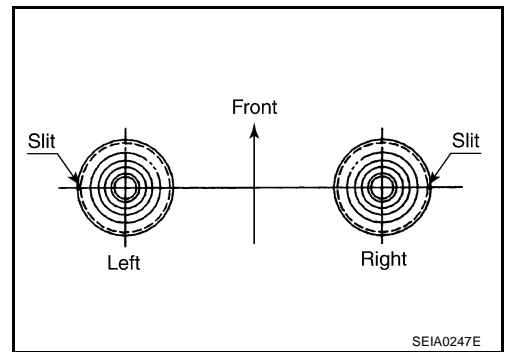
- **Face tube side of coil spring downward. Align lower end to spring rubber seat as shown in the figure.**
- **Be sure spring compressor (commercial service tool) is securely attached to coil spring. Compress coil spring.**



4. Install bound bumper to spring upper seat.

## COIL SPRING AND STRUT

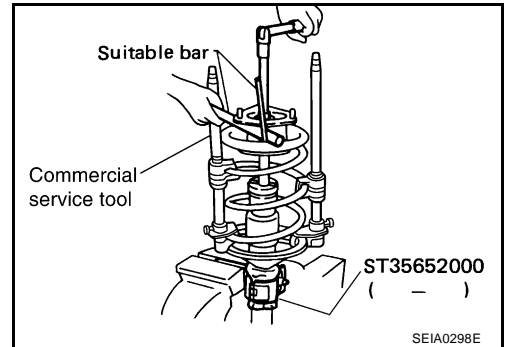
5. Install spring upper rubber seat, spring upper seat, mounting bearing, mounting insulator bracket, mounting insulator, upper mounting plate.
- Installation position of spring upper seat is as shown in the figure.



6. Fix strut mounting insulator, then tighten piston rod lock nut with specified torque.

**CAUTION:**

**Be careful not to deform mounting insulator bracket.**



7. Gradually release spring compressor (commercial service tool), and remove coil spring.
- CAUTION:**  
**Loosen while making sure coil spring attachment position does not move.**
8. Remove strut attachment (SST) from strut.

A  
B  
C  
D  
FSU  
F  
G  
H  
I  
J  
K  
L  
M

# TRANSVERSE LINK

PFP:54500

NES0008F

## TRANSVERSE LINK

### Removal and Installation

#### REMOVAL

1. Remove tire with power tool.
2. Remove mounting bolt between transverse link and front suspension member with power tool.
3. Remove transverse link from steering knuckle. Refer to [FAX-5, "FRONT WHEEL HUB AND KNUCKLE"](#).
4. Remove transverse link from vehicle.

#### INSPECTION AFTER REMOVAL

##### Visual Inspection

- Check transverse link and bushing for deformation, cracks, or damage. If any non-standard condition is found, replace it.
- Check boot of ball joint for cracks or other damage, and also for grease leakage. If any non-standard condition is found, replace it.

##### Ball Joint Inspection

- Manually move ball stud to confirm it moves smoothly with no binding.

##### Swing Torque Inspection

###### NOTE:

Before measurement, move ball joint at least ten times by hand to check for smooth movement.

- Hook spring balance at ball stud. Confirm spring balance measurement value is within specifications when ball stud begins moving.

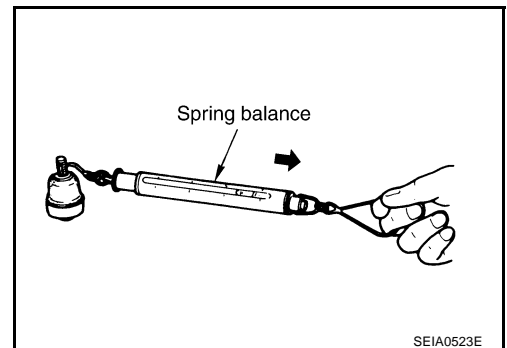
###### Swing torque:

**0.5 – 3.4 N·m (0.06 – 0.34 kg·m, 5 – 30 in·lb)**

###### Measure value of spring balance:

**13.5 – 91.9 N (1.4 – 9.3 kg, 3.03 – 20.6 lb)**

- If it is outside the specified range, replace suspension arm assembly.



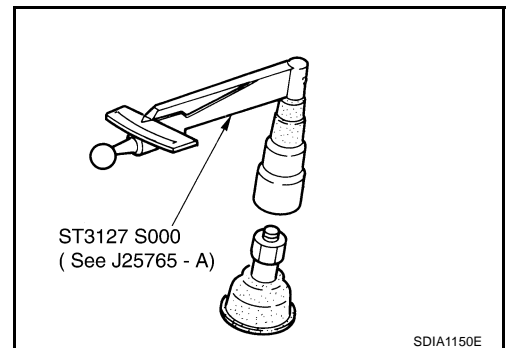
##### Rotating Torque Inspection

- Attach mounting nut to ball stud. Check that sliding torque is within specifications with a preload gauge (SST).

###### Rotating torque:

**0.5 – 3.4 N·m (0.06 – 0.34 kg·m, 5 – 30 in·lb)**

- If it is outside the specified range, replace suspension arm assembly.



##### Axial End Play Inspection

- Move tip of ball joint in axial direction to check for looseness.

**Axial end play : 0 mm (0 in)**

- If it is outside the specified range, replace suspension arm assembly.

#### INSTALLATION

- Refer to [FSU-7, "Components"](#) for tightening torque. Install in the reverse order of removal.

###### NOTE:

Refer to component parts location and do not reuse non-reusable parts.

## TRANSVERSE LINK

- 
- Perform final tightening of front suspension member installation position and strut assembly lower side (rubber bushing) under unladen conditions with tires on level ground. Check wheel alignment. Refer to [FSU-5, "Wheel Alignment Inspection"](#).

A

B

C

D

**FSU**

F

G

H

I

J

K

L

M

# STABILIZER BAR

PFP:54611

## STABILIZER BAR

### Removal and Installation

NES0008G

#### REMOVAL

##### 2WD

1. Remove tire with power tool.
2. Remove steering gear assembly from vehicle. Refer to [PS-15, "POWER STEERING GEAR"](#) .
3. Remove stabilizer connecting rod lower nut, separate stabilizer bar and stabilizer connecting rod with power tool.
4. Remove stabilizer clamp mounting bolts with power tool.
5. Remove stabilizer bar from vehicle.

##### AWD

1. Remove steering gear assembly. Refer to [PS-15, "REMOVAL"](#) .
2. Remove stabilizer bar from vehicle.

#### INSPECTION AFTER REMOVAL

Check stabilizer bar, stabilizer connecting rod, stabilizer bushing and stabilizer clamp for deformation, cracks or damage, and replace if necessary.

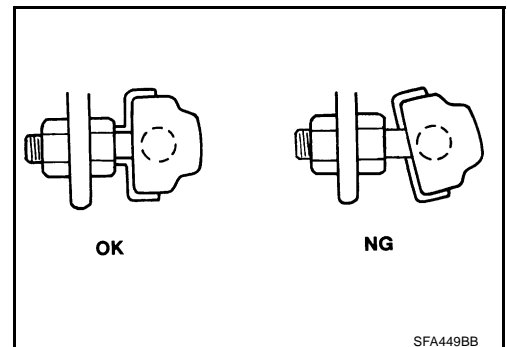
#### INSTALLATION

- Refer to [FSU-7, "Components"](#) for tightening torque. Install in the reverse order of removal.

##### NOTE:

Refer to component parts location and do not reuse non-reusable parts.

- Tighten bolts for tightening stabilizer clamp. Tightening order is front LH, rear RH, front RH, rear LH.
- Stabilizer bar uses pillow ball type connecting rod. Position ball joint with case on pillow ball head parallel to stabilizer bar.



# FRONT SUSPENSION MEMBER

---

## FRONT SUSPENSION MEMBER

PPF:54401

### Removal and Installation

NES0008H

#### REMOVAL

Remove suspension member with engine assembly from vehicle. Refer to “ENGINE MECHANICAL” section [EM-108, "ENGINE ASSEMBLY"](#) .

#### INSPECTION AFTER REMOVAL

Check front suspension member for deformation, cracks, or any other damage. Replace if necessary.

#### INSTALLATION

- Install in the reverse order of removal.
- Perform final tightening of installation position between front suspension member and transverse link (rubber bushing) under unladen conditions with tires on level ground. Check wheel alignment. Refer to [FSU-5, "Wheel Alignment Inspection"](#) .

A

B

C

D

FSU

F

G

H

I

J

K

L

M

# SERVICE DATA AND SPECIFICATIONS (SDS)

## SERVICE DATA AND SPECIFICATIONS (SDS)

PFP:00030

### Wheel Alignment (Unladen\*)

NES0008I

Axle type		2WD	AWD	
Camber Degree minute (Decimal degree)	Minimum	-1° 05' (-1.08°)		
	Nominal	-0° 20' (-0.33°)		
	Maximum	0° 25' (0.42°)		
	Left and right difference	45' (0.75°) or less		
Caster Degree minute (Decimal degree)	Minimum	1° 45' (1.75°)	1° 50' (1.83°)	
	Nominal	2° 30' (2.50°)	2° 35' (2.58°)	
	Maximum	3° 15' (3.25°)	3° 20' (3.33°)	
	Left and right difference	45' (0.75°) or less		
Kingpin inclination Degree minute (Decimal degree)	Minimum	13° 35' (13.58°)		
	Nominal	14° 20' (14.33°)		
	Maximum	15° 05' (15.08°)		
Total toe-in	Distance	Minimum	-0.5 mm (-0.02 in)	
		Nominal	0.5 mm (0.02 in)	
		Maximum	1.5 mm (0.06 in)	
	Angle (left wheel or right wheel) Degree minute (Decimal degree)	Minimum	-1' (-0.02°)	
		Nominal	1' (0.02°)	
		Maximum	3' (0.05°)	

\*: Fuel, engine coolant and lubricant are full. Spare tire, jack, hand tools and mats are in designated positions.

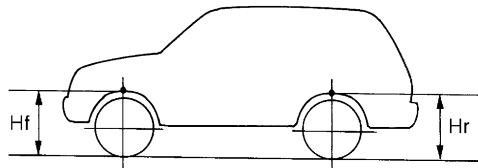
### Ball Joint

NES0008J

Axial end play	0 mm (0 in)
Swing torque	0.5 – 3.4 N·m (0.06 – 0.34 kg-m, 5 – 30 in-lb)
Measurement on spring balance	13.5 – 91.9 N (1.4 – 9.3 kg, 3.03 – 20.6 lb)
Rotating torque	0.5 – 3.4 N·m (0.06 – 0.34 kg-m, 5 – 30 in-lb)

### Wheelarch Height (Unladen\*)

NES0008K



SFA746B

Axle type	2WD	AWD
Tire size	235/65R18	
Front (Hf)	840 mm (33.07 in)	
Rear (Hr)	860 mm (33.86 in)	859 mm (33.82 in)

\*: Fuel, engine coolant and lubricant are full. Spare tire, jack, hand tools and mats are in designated positions.