

SECTION **PWO**
POWER OUTLET

A
B
C
D
E
F
G
H
I
J
K
L
N
O
P

CONTENTS

COMPONENT DIAGNOSIS	2	Removal and Installation	8
CIGARETTE LIGHTER	2	POWER SOCKET	9
Wiring Diagram - CIGARETTE LIGHTER -	2	FRONT POWER SOCKET	9
POWER SOCKET	4	FRONT POWER SOCKET : Exploded View	9
Wiring Diagram - POWER SOCKET -	4	FRONT POWER SOCKET : Removal and Installation	9
PRECAUTION	7	CONSOLE POWER SOCKET	9
PRECAUTIONS	7	CONSOLE POWER SOCKET : Exploded View	9
Precaution for Supplemental Restraint System (SRS) "AIR BAG" and "SEAT BELT PRE-TENSIONER"	7	CONSOLE POWER SOCKET : Removal and Installation	10
ON-VEHICLE REPAIR	8	LUGGAGE ROOM POWER SOCKET	10
CIGARETTE LIGHTER	8	LUGGAGE ROOM POWER SOCKET : Exploded View	11
Exploded View	8	LUGGAGE ROOM POWER SOCKET : Removal and Installation	11

PWO

CIGARETTE LIGHTER

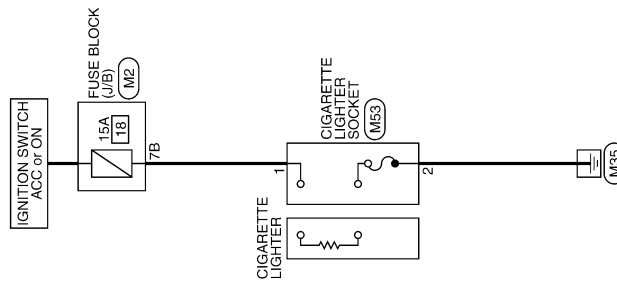
< COMPONENT DIAGNOSIS >

COMPONENT DIAGNOSIS

CIGARETTE LIGHTER

Wiring Diagram - CIGARETTE LIGHTER -

INFOID:000000003372920



CIGARETTE LIGHTER

2008/09/23

JCMWM3147G

CIGARETTE LIGHTER

< COMPONENT DIAGNOSIS >

CIGARETTE LIGHTER

Connector No.	M2
Connector Name	FUSE BLOCK (J/B)
Connector Type	NS10FW-CS



Terminal No.	Color of Wire	Signal Name [Specification]
7B	R	-

Connector No.	M53
Connector Name	CIGARETTE LIGHTER SOCKET
Connector Type	P02FB-Z



Terminal No.	Color of Wire	Signal Name [Specification]
1	R	-
2	B	-

A
B
C
D
E
F
G
H
I
J
K
L
PWO
N
O
P

JCMWM3148G1

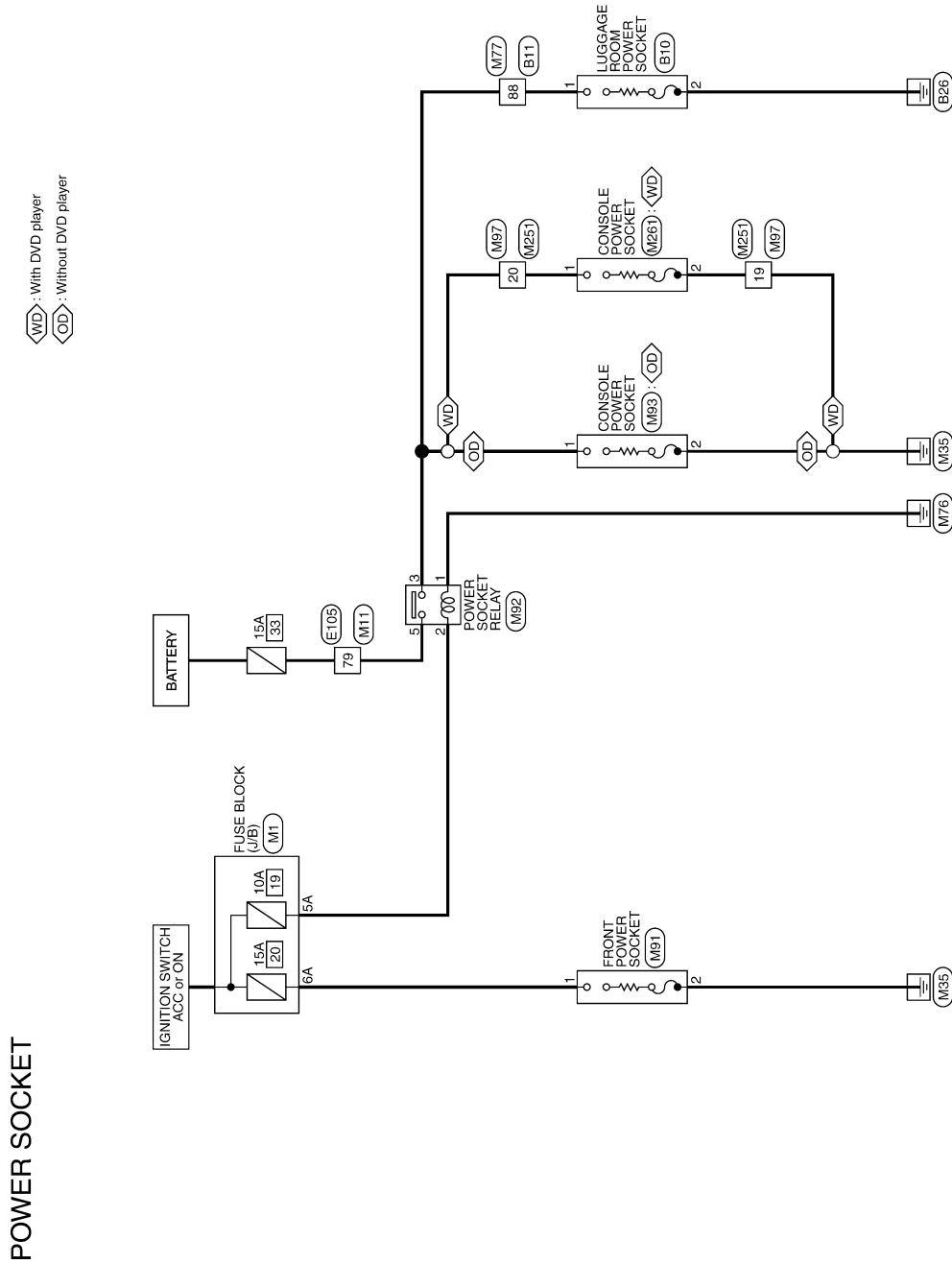
POWER SOCKET

< COMPONENT DIAGNOSIS >

POWER SOCKET

Wiring Diagram - POWER SOCKET -

INFOID:000000003372921



POWER SOCKET

2008/09/23

JCMWM3149G

POWER SOCKET

< COMPONENT DIAGNOSIS >

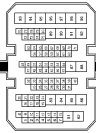
POWER SOCKET

Connector No.	B10
Connector Name	LUGGAGE ROOM POWER SOCKET
Connector Type	P02FE-Z



Terminal No.	Color of Wire	Signal Name [Specification]
1	G	-
2	B/W	-

Connector No.	B11
Connector Name	WIRE TO WIRE
Connector Type	TH80FW-CS19



Terminal No.	Color of Wire	Signal Name [Specification]
88	G	-

Connector No.	E105
Connector Name	WIRE TO WIRE
Connector Type	TH70FW-CS10-M3



Terminal No.	Color of Wire	Signal Name [Specification]
79	Y	-

Connector No.	M1
Connector Name	FUSE BLOCK (J/B)
Connector Type	NS08FW-M2



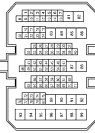
Terminal No.	Color of Wire	Signal Name [Specification]
5A	R	-
6A	W	-

Connector No.	M11
Connector Name	WIRE TO WIRE
Connector Type	TH70FW-CS10-M3



Terminal No.	Color of Wire	Signal Name [Specification]
79	G	-

Connector No.	M77
Connector Name	WIRE TO WIRE
Connector Type	TH80FW-CS19



Terminal No.	Color of Wire	Signal Name [Specification]
88	G	-

Connector No.	M91
Connector Name	FRONT POWER SOCKET
Connector Type	P02FB-Z



Terminal No.	Color of Wire	Signal Name [Specification]
1	W	-
2	B	-

Connector No.	M92
Connector Name	POWER SOCKET RELAY
Connector Type	MS02FL-M2-LC



Terminal No.	Color of Wire	Signal Name [Specification]
1	B	-
2	R	-
3	G	-
5	G	-

A
B
C
D
E
F
G
H
I
J
K
L
N
O
P









PWO

JCMWM3150G1

POWER SOCKET

< COMPONENT DIAGNOSIS >

POWER SOCKET

Connector No.	M93	Connector No.	M251	Connector No.	M251	Connector No.	M251
Connector Name	CONSOLE POWER SOCKET (WITHOUT DVD PLAYER)	Connector Name	WIRE TO WIRE	Connector Name	WIRE TO WIRE	Connector Name	CONSOLE POWER SOCKET (WITH DVD PLAYER)
Connector Type	P02EB-Z	Connector Type	T118FW-CSZ	Connector Type	T118MW-CSZ	Connector Type	P02EB-Z
							
Terminal No.	1	Terminal No.	19	Terminal No.	19	Terminal No.	1
	2		20		20		2
Color of Wire	G	Color of Wire	B	Color of Wire	B	Color of Wire	G
	B		G		G		B
Signal Name [Specification]	-	Signal Name [Specification]	-	Signal Name [Specification]	-	Signal Name [Specification]	-
	-		-		-		-

JCMWM3151G

PRECAUTIONS

< PRECAUTION >

PRECAUTION

PRECAUTIONS

Precaution for Supplemental Restraint System (SRS) "AIR BAG" and "SEAT BELT PRE-TENSIONER"

INFOID:000000004770036

The Supplemental Restraint System such as "AIR BAG" and "SEAT BELT PRE-TENSIONER", used along with a front seat belt, helps to reduce the risk or severity of injury to the driver and front passenger for certain types of collision. This system includes seat belt switch inputs and dual stage front air bag modules. The SRS system uses the seat belt switches to determine the front air bag deployment, and may only deploy one front air bag, depending on the severity of a collision and whether the front occupants are belted or unbelted. Information necessary to service the system safely is included in the "SRS AIRBAG" and "SEAT BELT" of this Service Manual.

WARNING:

- **To avoid rendering the SRS inoperative, which could increase the risk of personal injury or death in the event of a collision which would result in air bag inflation, all maintenance must be performed by an authorized NISSAN/INFINITI dealer.**
- **Improper maintenance, including incorrect removal and installation of the SRS, can lead to personal injury caused by unintentional activation of the system. For removal of Spiral Cable and Air Bag Module, see the "SRS AIRBAG".**
- **Never use electrical test equipment on any circuit related to the SRS unless instructed to in this Service Manual. SRS wiring harnesses can be identified by yellow and/or orange harnesses or harness connectors.**

PRECAUTIONS WHEN USING POWER TOOLS (AIR OR ELECTRIC) AND HAMMERS

When working near the Airbag Diagnosis Sensor Unit or other Airbag System sensors while ignition switch is ON or engine is running, never use air or electric power tools or strike near the sensor(s) with a hammer. Heavy vibration may activate the sensor(s), deploy the airbag(s), possibly cause serious injury. When using air or electric power tools or hammers, always turn OFF ignition switch, disconnect the battery, and wait 3 minutes or more before performing any service.

A
B
C
D
E
F
G
H
I
J
K
L

PWO

N
O
P

CIGARETTE LIGHTER

< ON-VEHICLE REPAIR >

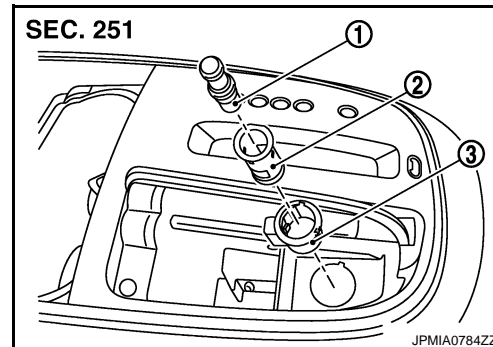
ON-VEHICLE REPAIR

CIGARETTE LIGHTER

Exploded View

INFOID:000000003372924

- 1 : Cigarette lighter
- 2 : Cigarette lighter socket
- 3 : Cigarette lighter ring



Removal and Installation

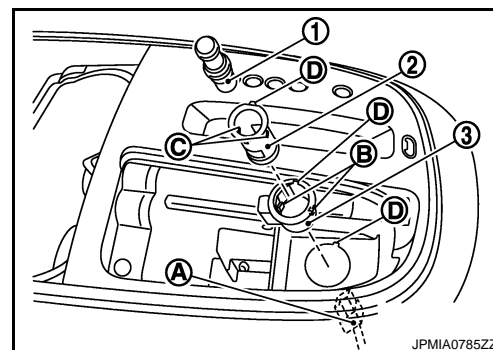
INFOID:000000003372925

REMOVAL

1. Remove console finisher assembly. Refer to [IP-19, "Exploded View"](#).
2. Pull out cigarette lighter (1).

D : Cut out

3. Disconnect cigarette lighter connector (A).
4. Pull out cigarette lighter socket (2) by pushing the cigarette lighter ring pawl (B) from the cigarette lighter socket hole (square) (C).
5. Remove cigarette lighter ring (3) from console finisher assembly while pressing pawls.



INSTALLATION

Install in the reverse order of removal.

NOTE:

Align the cut outs of cigarette lighter socket, cigarette lighter ring, and console finisher assembly.

POWER SOCKET

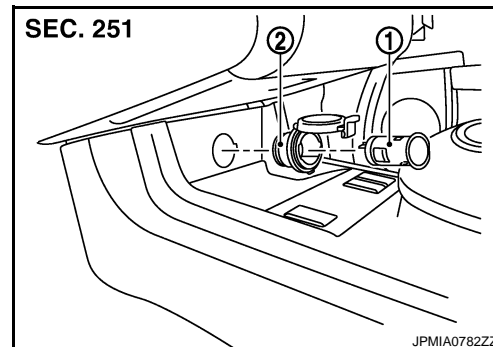
< ON-VEHICLE REPAIR >

POWER SOCKET FRONT POWER SOCKET

FRONT POWER SOCKET : Exploded View

INFOID:000000003372928

- 1 : Inner socket
- 2 : Ring



FRONT POWER SOCKET : Removal and Installation

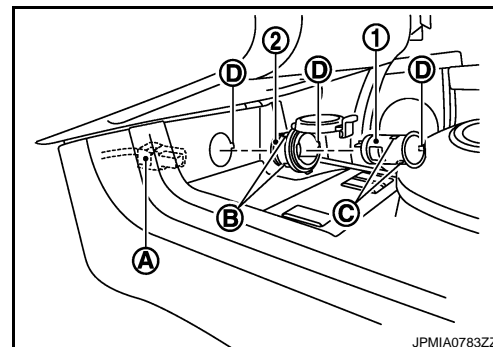
INFOID:000000003372929

REMOVAL

1. Remove front console pocket. Refer to [IP-19, "Exploded View"](#).
2. Disconnect power socket connector (A).

D : Cut out

3. Pull out inner socket (1) by pushing the ring pawl (B) from the inner socket hole (square) (C).
4. Remove ring (2) from front console pocket while pressing pawls.



INSTALLATION

Install in the reverse order of removal.

NOTE:

Align the cut outs of inner socket, ring, and front console pocket.

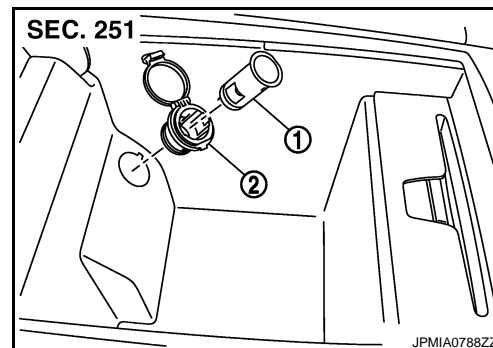
CONSOLE POWER SOCKET

CONSOLE POWER SOCKET : Exploded View

INFOID:000000003372932

Console Power Socket with DVD Player

- 1 : Inner socket
- 2 : Ring



Console Power Socket without DVD Player

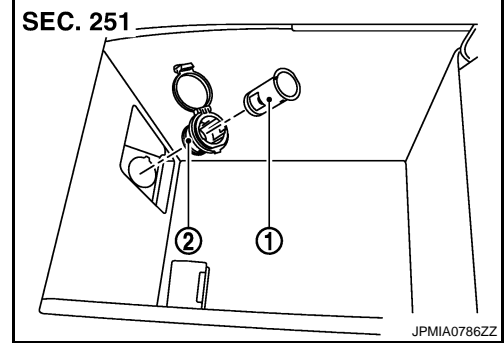
A
B
C
D
E
F
G
H
I
J
K
L
N
O
P

PWO

POWER SOCKET

< ON-VEHICLE REPAIR >

- 1 : Inner socket
- 2 : Ring



CONSOLE POWER SOCKET : Removal and Installation

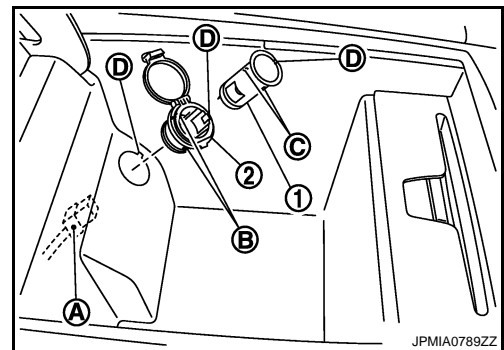
INFOID:000000003372933

REMOVAL (WITH DVD PLAYER)

1. Remove console rear finisher. Refer to [IP-19. "Exploded View"](#).
2. Disconnect power socket connector (A).

D : Cut out

3. Pull out inner socket (1) by pushing the ring pawl (B) from the inner socket hole (square) (C).
4. Remove ring (2) from console box while pressing pawls.

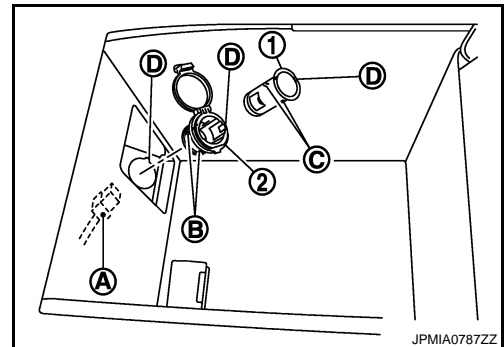


REMOVAL (WITHOUT DVD PLAYER)

1. Remove console finisher assembly. Refer to [IP-19. "Exploded View"](#).
2. Disconnect power socket connector (A).

D : Cut out

3. Pull out inner socket (1) by pushing the ring pawl (B) from the inner socket hole (square) (C).
4. Remove ring (2) from console box while pressing pawls.



INSTALLATION

Install in the reverse order of removal.

NOTE:

Align the cut outs of inner socket, ring, and console box.

LUGGAGE ROOM POWER SOCKET

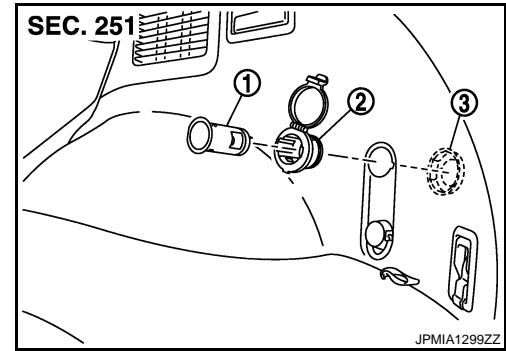
POWER SOCKET

< ON-VEHICLE REPAIR >

LUGGAGE ROOM POWER SOCKET : Exploded View

INFOID:000000003372930

- 1 : Inner socket
- 2 : Ring
- 3 : Retainer



LUGGAGE ROOM POWER SOCKET : Removal and Installation

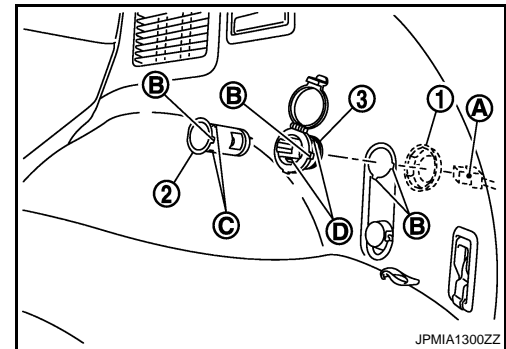
INFOID:000000003372931

REMOVAL

1. Remove luggage side finisher lower (RH). Refer to [INT-33, "Exploded View"](#).
2. Disconnect power socket connector (A).

B : Cut out

3. Remove retainer (1) and remove power socket assembly.
4. Pull out inner socket (2) by pushing the ring pawl (D) from the inner socket hole (square) (C).
5. Remove ring (3) from luggage side finisher lower (RH) while pressing pawls.



INSTALLATION

Install in the reverse order of removal.

NOTE:

Align the cut outs of inner socket, ring, and luggage side finisher lower (RH).

A
B
C
D
E
F
G
H
I
J
K
L
N
O
P

PWO