

A - ENGINE/VIN ID

1992 Subaru SVX

1992 ENGINE PERFORMANCE
Subaru Introduction

Justy, Legacy, Loyale, SVX

MODEL COVERAGE TABLE

MODEL	BODY CODE	ENGINE	ENGINE ID	FUEL SYSTEM	Ignition System (1)
Justy	A & D	1.2L 3-Cyl	(2) 7 or 8	Carb.	Magnetic
	A & D	1.2L 3-Cyl	(2) 7 or 8	PFI	Magnetic
Legacy					
Sedan	C	2.2L 4-Cyl	6	PFI	DIS
Station Wagon	J	2.2L 4-Cyl	6	PFI	DIS
Loyale					
Sedan	C	1.8L 4-Cyl	(3) 4 or 5	TBI	Optical
Station Wagon	N	1.8L 4-Cyl	(3) 4 or 5	TBI	Optical
SVX	X	3.3L 6-Cyl	3	PFI	DIS
(1) - Computer Controlled Ignition. (2) - Engine VIN is 7 for 2WD and 8 for 4WD. (3) - Engine VIN is 4 for 2WD and 5 for 4WD.					

VIN DEFINITION

Numbers preceding the explanations in the legend below refer to the sequence of characters as listed on VIN identification label.

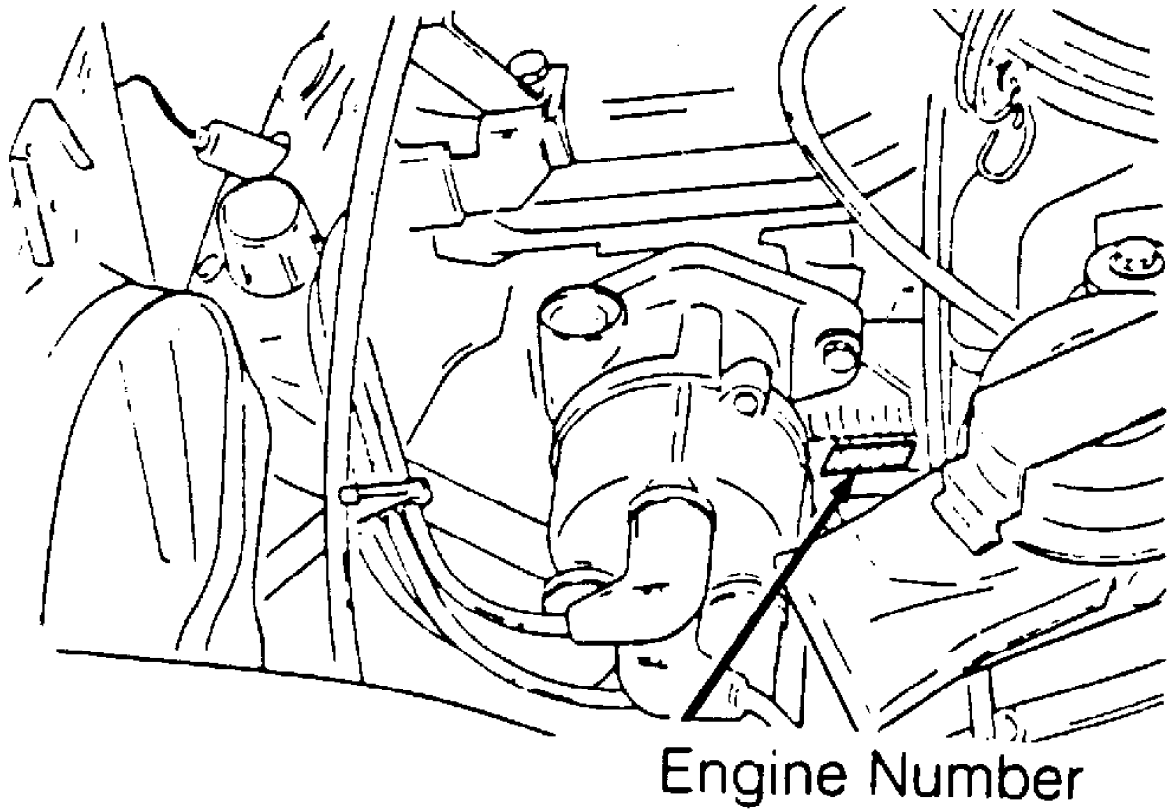
(VIN) J F 1 B C 6 3 2 X N B O O O O O 1
 1 2 3 4 5 6 7 8 9 10 11 12 13 14 15 16 17

- 1 -Indicates Nation of Origin.
- 2 -Indicates Manufacturer & Make.
- 3 -Indicates Type of Vehicle.
- 4 -Indicates Line.
- 5 -Indicates Body Type.
- 6 -Indicates Engine.
- 7 -Indicates Model.
- 8 -Indicates Weight Class & Restraint Type.
- 9 -Indicates Check Digit.
- 10 -Indicates Model Year.
- 11 -Indicates Assembly Plant & Transmission Type.
- 12-17 -Indicates Production Sequence.

MODEL YEAR VIN CODE APPLICATION

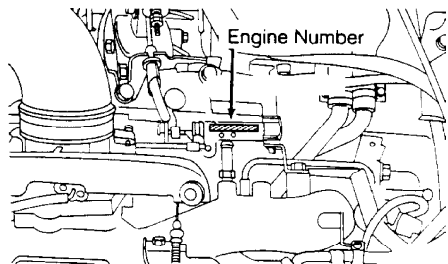
VIN Code	Model Year
L	1990
M	1991

ENGINE CODE LOCATION



3-CYLINDER

Fig. 1: Engine Code Location 3-Cyl
Courtesy of Subaru of America, Inc.



91E17081
Fig. 2: Engine Code Location 4-Cyl
Courtesy of Subaru of America, Inc.

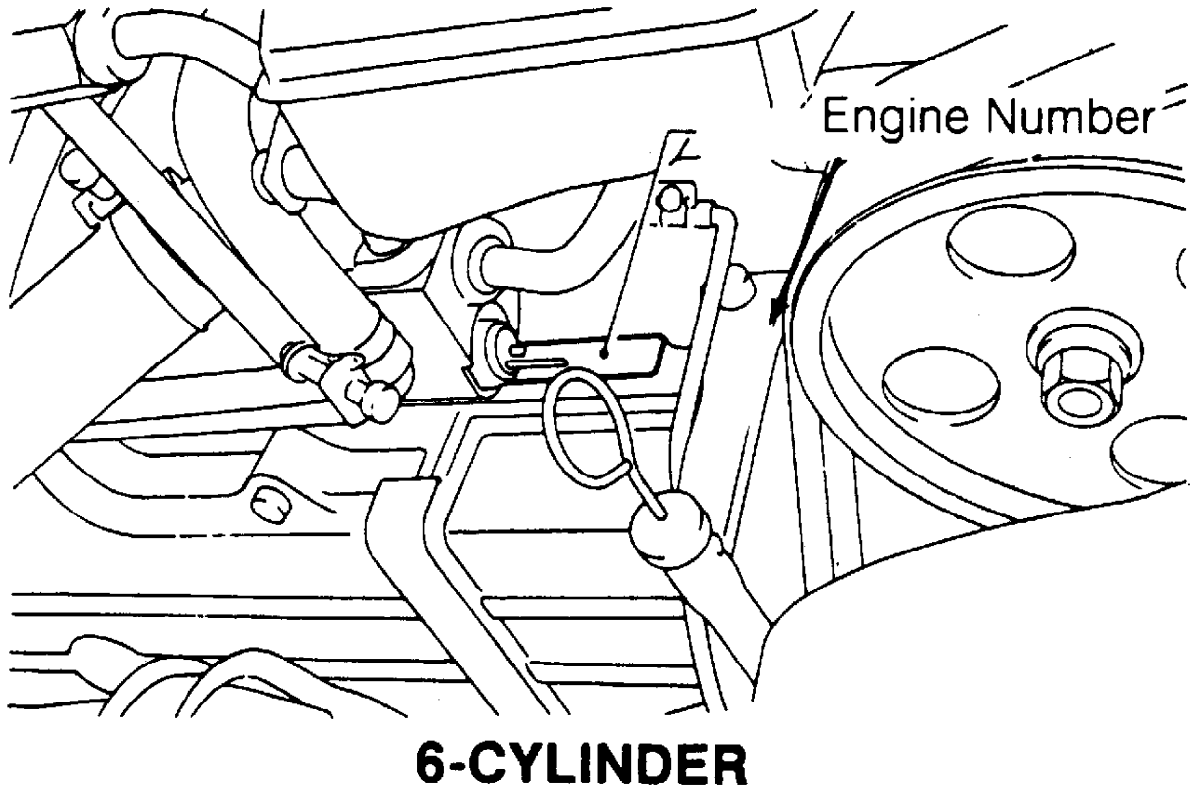


Fig. 3: Engine Code Location 6-Cyl
Courtesy of Subaru of America, Inc.