

SCHEDULED SERVICES

1992 Subaru SVX

1992-95 MAINTENANCE
Subaru Maintenance & Service Intervals

SVX

* PLEASE READ THIS FIRST *

NOTE: All SERVICE SCHEDULES are listed for normal service vehicles. If vehicle is operated under severe service conditions, see SEVERE SERVICE REQUIREMENTS (PERFORM W/SERVICE SCHEDULES) for items requiring additional maintenance.

NOTE: This article contains scheduled maintenance service information. Fluid types and capacities listed with each service in this article are only those necessary to perform that scheduled service. For specifications pertaining to fluid capacities for the entire vehicle, fuse and circuit breaker identification, wheel and tire size, battery type, warranty information, or model identification refer to the MAINTENANCE INFORMATION article in this section.

CAUTIONS & WARNINGS

SUPPLEMENTAL RESTRAINT SYSTEM (SRS) AIR BAG SYSTEM

NOTE: See the AIR BAG RESTRAINT SYSTEM article in the ACCESSORIES/SAFETY EQUIPMENT Section.

The SRS has no user-servicable parts. Always have servicing done by an authorized dealer.

When performing maintenance on air bag equipped vehicles always observe proper safety precautions.

WARNING: To avoid injury from accidental air bag deployment, read and carefully follow all warnings and service precautions. See appropriate AIR BAG RESTRAINT SYSTEM article in the ACCESSORIES/SAFETY EQUIPMENT section.

CAUTION: Disconnect negative battery cable before servicing any air bag system, steering column or passenger side dash component. After any repair, turn ignition key to the ON position from passenger's side of vehicle in case of accidental air bag inflation

ANTI-LOCK BRAKE SYSTEM (ABS)

CAUTION: Never mix different diameter tires. On loose or uneven surfaces, the ABS system may require longer stopping distances than conventional brake systems. Exercise caution when removing mud or snow from the wheels so as not to damage the ABS wiring or speed sensors.

BATTERY WARNING

WARNING: When battery is disconnected, vehicles equipped with computers may lose memory data. When battery power is

restored, driveability problems may exist on some vehicles. These vehicles may require a relearn procedure. See appropriate COMPUTER RELEARN PROCEDURES article in the GENERAL INFORMATION section below.

REPLACING BLOWN FUSES

Before replacing a blown fuse, remove ignition key, turn off all lights and accessories to avoid damaging the electrical system. Be sure to use fuse with the correct indicated amperage rating. The use of an incorrect amperage rating fuse may result in a dangerous electrical system overload.

BRAKE PAD WEAR INDICATOR

Indicator will cause a squealing or scraping noise, warning that brake pads need replacement.

CATALYTIC CONVERTER

Continued operation of vehicle with a severe malfunction could cause converter to overheat, resulting in possible damage to converter and vehicle.

COOLANT (PROPYLENE-GLYCOL FORMULATIONS)

CAUTION: To avoid possible damage to vehicle use only ethylene-glycol based coolants with a mixture ratio from 44-68% anti-freeze. DO NOT use 100% anti-freeze as it will cause the formation of cooling system deposits. This results in coolant temperatures of over 300° F (149°C) which can melt plastics. 100% anti-freeze has a freeze point of only -8° F (-22°C).

CAUTION: Propylene-Glycol Mixtures has a smaller temperature range than Ethylene-Glycol. The temperature range (freeze-boil) of a 50/50 Anti-Freeze/Water Mix is as follows:

Propylene-Glycol	-26° F (-32°C)	-	257° F (125°C)
Ethylene-Glycol	-35° F (-37°C)	-	263° F (128°C)

CAUTION: Propylene-Glycol/Ethylene-Glycol Mixtures can cause the destabilization of various corrosion inhibitors. Also Propylene-Glycol/Ethylene-Glycol has a different specific gravity than Ethylene-Glycol coolant, which will result in inaccurate freeze point calculations.

ELECTROSTATIC DISCHARGE SENSITIVE (ESD) PARTS

WARNING: Many solid state electrical components can be damaged by static electricity (ESD). Some will display a warning label, but many will not. Discharge personal static electricity by touching a metal ground point on the vehicle prior to servicing any ESD sensitive component.

ENGINE OIL

CAUTION: Never use non-detergent or straight mineral oil.

FUEL SYSTEM SERVICE

WARNING: Relieve fuel system pressure prior to servicing any fuel system component (fuel injection models).

HALOGEN BULBS

WARNING: Halogen bulbs contain pressurized gas which may explode if overheated. DO NOT touch glass portion of bulb with bare hands. Eye protection should be worn when handling or working around halogen bulbs.

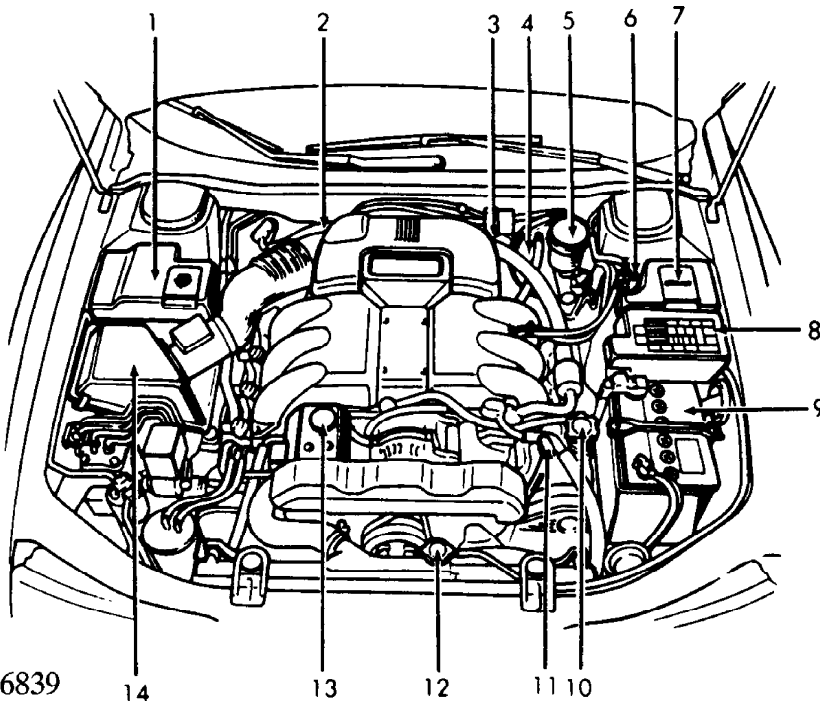
RADIATOR CAP

CAUTION: Always disconnect the fan motor when working near the radiator fan. The fan is temperature controlled and could start at any time even when the ignition key is in the OFF position. DO NOT loosen or remove radiator cap when cooling system is hot.

RADIATOR FAN

WARNING: Keep hands away from radiator fan. Fan is controlled by a thermostatic switch which may come on or run for up to 15 minutes even after engine is turned off.

SERVICE POINT LOCATIONS



1. Windshield Washer Tank
2. Differential Gear Oil Level Gauge
3. Automatic Transmission Fluid Level Gauge
4. Brake Booster
5. Brake Fluid Reservoir
6. Fuel Filter
7. Engine Coolant Reservoir
8. Fuse Box
9. Battery
10. Engine Oil Filler Cap
11. Engine Oil Level Dipstick
12. Radiator Cap
13. Power Steering Fluid Reservoir
14. Air Cleaner

92I26839

Fig. 1: Engine Compartment Service Point Locations
Courtesy of Subaru America, Inc.

CAMSHAFT TIMING BELT REPLACEMENT INFORMATION

CAUTION: Failure to replace a faulty camshaft timing belt may result in serious engine damage.

The condition of camshaft drive belts should always be checked on vehicles which have more than 50,000 miles. Although some manufacturers do not recommend belt replacement at a specified mileage, others require it at 60,000-100,000 miles. A camshaft drive

belt failure may cause extensive damage to internal engine components on most engines, although some designs do not allow piston-to-valve contact. These designs are often called "Free Wheeling".

Many manufacturers changed their maintenance and warranty schedules in the mid-1980's to reflect timing belt inspection and/or replacement at 50,000-60,000 miles. Most service interval schedules in this manual reflect these changes.

Belts or components should be inspected and replaced if any of the following conditions exist:

- * Cracks Or Tears In Belt Surface
- * Missing, Damaged, Cracked Or Rounded Teeth
- * Oil Contamination
- * Damaged Or Faulty Tensioners
- * Incorrect Tension Adjustment

Replace camshaft timing belt at 60,000 mile intervals.

SEVERE & NORMAL SERVICE DEFINITIONS

Service is recommended at mileage intervals based on vehicle operation. Service schedules are based on the following primary operating conditions:

Normal Service

- * Driven More Than 10 Miles Daily
- * No Operating Conditions From Severe Service Schedule

Severe Service (Unique Driving Conditions)

- * Repeated Short Distance Driving
- * Driving On Rough Or Muddy Roads
- * Severe Dust Conditions
- * Driving In Extremely Cold Weather
- * Driving In Salty Or Other Corrosive Materials Areas
- * Operation In Coastal Areas

SEVERE SERVICE REQUIREMENTS (PERFORM W/SERVICE SCHEDULES)

NOTE: The following services are to be performed on vehicles subjected to severe service. See SEVERE & NORMAL SERVICE DEFINITIONS. This service is to be performed in addition to the normal services listed in the NORMAL MAINTENANCE SERVICE SCHEDULES.

SEVERE SERVICE CONDITIONS/ACTIONS TABLE

Condition	Action	Item	Perform Every (1)
Repeated Short Distance Driving	Replace	Engine Oil & Filter	3,000 Miles or 3 Months
	Replace	A/T Fluid	15,000 Miles
	Replace	Front & Rear Differential Gear Oil	30,000 Miles
Driving On Rough Or Muddy Roads	Replace	Engine Oil & Filter	3,000 Miles or 3 Months

	Replace	A/T Fluid	15,000 Miles
	Replace	Front & Rear Differential Gear Oil	30,000 Miles
Severe Dust Conditions	Replace	Engine Oil & Filter	3,000 Miles or 3 Months
	Replace	A/T Fluid	15,000 Miles
	Replace	Front & Rear Differential Gear Oil	30,000 Miles
Driving In Extremely Cold Weather	Replace	Engine Oil & Filter	3,000 Miles or 3 Months
	Replace	A/T Fluid	15,000 Miles
	Replace	Front & Rear Differential Gear Oil	30,000 Miles
Driving In Salty Or Other Corrosive Materials Areas	Replace	Engine Oil & Filter	3,000 Miles or 3 Months
	Replace	A/T Fluid	15,000 Miles
	Replace	Front & Rear Differential Gear Oil	30,000 Miles
Operation In Coastal Areas	Replace	Engine Oil & Filter	3,000 Miles or 3 Months
	Replace	A/T Fluid	15,000 Miles
	Replace	Front & Rear Differential Gear Oil	30,000 Miles

(1) - Perform these services at the mileage or number of months (since the last time), whichever comes first.

NORMAL MAINTENANCE SERVICE SCHEDULES

The following service schedules refer to vehicles driven under normal operating conditions. For vehicles driven under severe conditions, additional services may be necessary. See SEVERE SERVICE REQUIREMENTS (PERFORM W/SERVICE SCHEDULES) above in this article for additional service requirements.

7500 MILE (12,000 KM) SERVICE

7500 MILE (12,000 KM) SERVICE

Service Or Inspect
Change Engine Oil

Change Oil Filter	
Lubrication Specifications	
Application	Specification
Engine Oil (1)	
Ambient Temperature -15° To 105°F (-26°C To 40°C)	SAE 10W-30 Or 10W-40 API SF Or SG
Maximum Temperature Less Than 0°F (-18°C)	(2) 5W-30 API SF Or SG
(1) - Since temperature ranges for different oil grades overlap, brief fluctuations in outside temperatures are no cause for concern.	
(2) - SAE 5W-30 is not recommended for sustained high speed driving.	
Fluid Capacities	
Application	(1) Quantity
Engine Oil	6.3 Qts. (6.0L)
(1) - Capacities are recommended or calculated levels. Always use dipstick (if available) to measure level.	

15,000 MILE (24,000 KM) SERVICE

15,000 MILE (24,000 KM) SERVICE

Service Or Inspect	
Verify Last Major Service Was Performed	
Braking System	
Front & Rear Axle Boots	
Axle Shaft Joints	
Steering System	
Suspension System	
Replace	
Engine Oil & Filter	
Lubrication Specifications	
Application	Specification
Brake Fluid	FMVSS No. 116 DOT 3 Or DOT 4
Engine Oil (1)	
Ambient Temperature -15° To 105°F (-26°C To 40°C)	SAE 10W-30 Or 10W-40 API SF Or SG
Maximum Temperature	

Less Than 0°F (-18°C) (2) 5W-30 API SF Or SG
 Power Steering Fluid Dexron-II ATF

- (1) - Since temperature ranges for different oil grades overlap, brief fluctuations in outside temperatures are no cause for concern.
- (2) - SAE 5W-30 is not recommended for sustained high speed driving.

Fluid Capacities

Application	(1) Quantity
Engine Oil	6.3 Qts. (6.0L)

- (1) - Capacities are recommended or calculated levels. Always use dipstick (if available) to measure level.

22,500 MILE (36,000 KM) SERVICE

22,500 MILE (36,000 KM) SERVICE

Service Or Inspect

Verify Last Major Service Was Performed

Change Engine Oil

Change Oil Filter

Lubrication Specifications

Application	Specification
Engine Oil (1)	
Ambient Temperature	
-15° To 105°F (-26°C To 40°C)	SAE 10W-30 Or 10W-40 API SF Or SG
Maximum Temperature	
Less Than 0°F (-18°C)	(2) 5W-30 API SF Or SG

- (1) - Since temperature ranges for different oil grades overlap, brief fluctuations in outside temperatures are no cause for concern.
- (2) - SAE 5W-30 is not recommended for sustained high speed driving.

Fluid Capacities

Application	(1) Quantity
Engine Oil	6.3 Qts. (6.0L)

- (1) - Capacities are recommended or calculated levels. Always use dipstick (if available) to measure level.

30,000 MILE (48,000 KM) SERVICE

30,000 MILE (48,000 KM) SERVICE

Service Or Inspect	
	Verify Last Major Service Was Performed
	Accessory Drive Belts
	Cooling System Hoses & Connections
	Fuel System Hoses & Connections
	Emission System
	Front & Rear Differential Gear Oil
	Brake System (Including Handbrake)
	Brake Linings & Drums
	Brake Pads & Discs
	Automatic Transmission Fluid Level
	Differential Gear Oil Level
	Front & Rear Axle Boots & Axle Shaft Joints
	Steering & Suspension
Replace	
	Engine Oil & Filter
	Engine Coolant
	Fuel Filter
	Air Filter & PCV Filter
	Brake Fluid
Lubrication Specifications	
Application	Specification
Automatic Transmission	Dexron-II ATF
Automatic Transmission Differential Gear Oil	SAE 80W-90 API GL-5
AWD Rear Differential Gear Oil	SAE 75W-90 API GL-5
Brake Fluid	FMVSS No. 116 DOT 3 Or DOT 4
Engine Coolant	Ethylene-Glycol Antifreeze Coolant
Engine Oil (1)	
Ambient Temperature -15° To 105°F (-26°C To 40°C)	SAE 10W-30 Or 10W-40 API SF Or SG
Maximum Temperature Less Than 0°F (-18°C)	(2) 5W-30 API SF Or SG
Power Steering Fluid	Dexron-II ATF
(1) - Since temperature ranges for different oil grades overlap, brief fluctuations in outside temperatures are no cause for concern.	
(2) - SAE 5W-30 is not recommended for sustained high speed driving.	

Fluid Capacities	
Application	(1) Quantity
Automatic Transmission	10 Qts. (9.5L)
Cooling System	7.9 Qts. (7.5L)
Differential	
Auto. Trans. Differential	1.2-1.4 Qts. (1.1-1.3L)
AWD Rear Differential	1.6 Pts. (0.8L)
Engine Oil	6.3 Qts. (6.0L)
(1) - Capacities are recommended or calculated levels. Always use dipstick (if available) to measure level.	
Service Labor Times	
Application	Hours
3.3L 6-Cylinder AWD Automatic Transmission	3.2

37,500 MILE (60,000 KM) SERVICE

37,500 MILE (60,000 KM) SERVICE

Service Or Inspect	
	Verify Last Major Service Was Performed
	Change Engine Oil
	Change Oil Filter
Lubrication Specifications	
Application	Specification
Engine Oil (1)	
Ambient Temperature -15° To 105°F (-26°C To 40°C)	SAE 10W-30 Or 10W-40 API SF Or SG
Maximum Temperature Less Than 0°F (-18°C)	(2) 5W-30 API SF Or SG
(1) - Since temperature ranges for different oil grades overlap, brief fluctuations in outside temperatures are no cause for concern.	
(2) - SAE 5W-30 is not recommended for sustained high speed driving.	
Fluid Capacities	
Application	(1) Quantity
Engine Oil	6.3 Qts. (6.0L)
(1) - Capacities are recommended or calculated levels. Always use dipstick (if available) to measure level.	

45,000 MILE (72,000 KM) SERVICE

45,000 MILE (72,000 KM) SERVICE

Service Or Inspect	
	Verify Last Major Service Was Performed
	Braking System
	Front & Rear Axle Boots
	Axle Shaft Joints
	Steering System
	Suspension System
Replace	
	Engine Oil & Filter
Lubrication Specifications	
Application	Specification
Brake Fluid	FMVSS No. 116 DOT 3 Or DOT 4
Engine Oil (1)	
Ambient Temperature	
-15° To 105°F (-26°C To 40°C)	SAE 10W-30 Or 10W-40 API SF Or SG
Maximum Temperature	
Less Than 0°F (-18°C)	(2) 5W-30 API SF Or SG
Power Steering Fluid	Dexron-II ATF
(1) - Since temperature ranges for different oil grades overlap, brief fluctuations in outside temperatures are no cause for concern.	
(2) - SAE 5W-30 is not recommended for sustained high speed driving.	
Fluid Capacities	
Application	(1) Quantity
Engine Oil	6.3 Qts. (6.0L)
(1) - Capacities are recommended or calculated levels. Always use dipstick (if available) to measure level.	

52,500 MILE (84,000 KM) SERVICE

52,500 MILE (84,000 KM) SERVICE

Service Or Inspect	
	Verify Last Major Service Was Performed
	Change Engine Oil
	Change Oil Filter

Lubrication Specifications	
Application	Specification
Engine Oil (1)	
Ambient Temperature -15° To 105°F (-26°C To 40°C)	SAE 10W-30 Or 10W-40 API SF Or SG
Maximum Temperature Less Than 0°F (-18°C)	(2) 5W-30 API SF Or SG
(1) - Since temperature ranges for different oil grades overlap, brief fluctuations in outside temperatures are no cause for concern.	
(2) - SAE 5W-30 is not recommended for sustained high speed driving.	
Fluid Capacities	
Application	(1) Quantity
Engine Oil	6.3 Qts. (6.0L)
(1) - Capacities are recommended or calculated levels. Always use dipstick (if available) to measure level.	

60,000 MILE (96,000 KM) SERVICE

60,000 MILE (96,000 KM) SERVICE

Service Or Inspect
Verify Last Major Service Was Performed
Accessory Drive Belts
Cooling System Hoses & Connections
Fuel System Hoses & Connections
Emission System Hoses & Connections
Front & Rear Differential Gear Oil
Brake System (Including Handbrake)
Brake Linings & Drums
Brake Pads & Discs
Automatic Transmission Fluid Level
Differential Gear Oil Level
Grease Front & Rear Wheel Bearings
Front & Rear Axle Boots & Axle Shaft Joints
Steering & Suspension

Replace

Engine Oil & Filter

Accessory Drive Belts

Camshaft Timing Belt

Engine Coolant

Fuel Filter

Air Filter & PCV Filter

Brake Fluid

Spark Plugs (Platinum-Tipped Type)

Lubrication Specifications

Application	Specification
Automatic Transmission	Dexron-II ATF
Automatic Transmission Differential Gear Oil	SAE 80W-90 API GL-5
AWD Rear Differential Gear Oil	SAE 75W-90 API GL-5
Brake Fluid	FMVSS No. 116 DOT 3 Or DOT 4
Engine Coolant	Ethylene-Glycol Antifreeze Coolant
Engine Oil (1) Ambient Temperature -15° To 105°F (-26°C To 40°C)	SAE 10W-30 Or 10W-40 API SF Or SG
Maximum Temperature Less Than 0°F (-18°C)	(2) 5W-30 API SF Or SG
Power Steering Fluid	Dexron-II ATF

(1) - Since temperature ranges for different oil grades overlap, brief fluctuations in outside temperatures are no cause for concern.

(2) - SAE 5W-30 is not recommended for sustained high speed driving.

Fluid Capacities

Application	(1) Quantity
Automatic Transmission	10 Qts. (9.5L)
Cooling System	7.9 Qts. (7.5L)
Differential	
Auto. Trans. Differential	1.2-1.4 Qts. (1.1-1.3L)
AWD Rear Differential	1.6 Pts. (0.8L)
Engine Oil	6.3 Qts. (6.0L)

(1) - Capacities are recommended or calculated levels. Always use dipstick (if available) to measure level.

Service Labor Times

Application	Hours
3.3L 6-Cylinder AWD Automatic Transmission	6.0

67,500 MILE (108,000 KM) SERVICE

67,500 MILE (108,000 KM) SERVICE

Service Or Inspect	
	Verify Last Major Service Was Performed
	Change Engine Oil
	Change Oil Filter
Lubrication Specifications	
Application	Specification
Engine Oil (1)	
Ambient Temperature -15° To 105°F (-26°C To 40°C)	SAE 10W-30 Or 10W-40 API SF Or SG
Maximum Temperature Less Than 0°F (-18°C)	(2) 5W-30 API SF Or SG
(1) - Since temperature ranges for different oil grades overlap, brief fluctuations in outside temperatures are no cause for concern.	
(2) - SAE 5W-30 is not recommended for sustained high speed driving.	
Fluid Capacities	
Application	(1) Quantity
Engine Oil	6.3 Qts. (6.0L)
(1) - Capacities are recommended or calculated levels. Always use dipstick (if available) to measure level.	

75,000 MILE (120,000 KM) SERVICE

75,000 MILE (120,000 KM) SERVICE

Service Or Inspect	
	Verify Last Major Service Was Performed
	Braking System
	Front & Rear Axle Boots
	Axle Shaft Joints
	Steering System
	Suspension System
Replace	
	Engine Oil & Filter

Lubrication Specifications

Application	Specification
Brake Fluid	FMVSS No. 116 DOT 3 Or DOT 4
Engine Oil (1)	
Ambient Temperature	
-15° To 105°F (-26°C To 40°C)	SAE 10W-30 Or 10W-40 API SF Or SG
Maximum Temperature	
Less Than 0°F (-18°C)	(2) 5W-30 API SF Or SG
Power Steering Fluid	Dexron-II ATF
(1) - Since temperature ranges for different oil grades overlap, brief fluctuations in outside temperatures are no cause for concern.	
(2) - SAE 5W-30 is not recommended for sustained high speed driving.	
Fluid Capacities	
Application	(1) Quantity
Engine Oil	6.3 Qts. (6.0L)
(1) - Capacities are recommended or calculated levels. Always use dipstick (if available) to measure level.	

82,500 MILE (132,000 KM) SERVICE

82,500 MILE (132,000 KM) SERVICE

Service Or Inspect	
	Verify Last Major Service Was Performed
	Change Engine Oil
	Change Oil Filter
Lubrication Specifications	
Application	Specification
Engine Oil (1)	
Ambient Temperature	
-15° To 105°F (-26°C To 40°C)	SAE 10W-30 Or 10W-40 API SF Or SG
Maximum Temperature	
Less Than 0°F (-18°C)	(2) 5W-30 API SF Or SG
(1) - Since temperature ranges for different oil grades overlap, brief fluctuations in outside temperatures are no cause for concern.	
(2) - SAE 5W-30 is not recommended for sustained high speed driving.	
Fluid Capacities	
Application	(1) Quantity

Engine Oil 6.3 Qts. (6.0L)

(1) - Capacities are recommended or calculated levels. Always use dipstick (if available) to measure level.

90,000 MILE (144,000 KM) SERVICE

90,000 MILE (144,000 KM) SERVICE

Service Or Inspect	
	Verify Last Major Service Was Performed
	Accessory Drive Belts
	Cooling System Hoses & Connections
	Fuel System Hoses & Connections
	Emission System
	Front & Rear Differential Gear Oil
	Brake System (Including Handbrake)
	Brake Linings & Drums
	Brake Pads & Discs
	Automatic Transmission Fluid Level
	Differential Gear Oil Level
	Front & Rear Axle Boots & Axle Shaft Joints
	Steering & Suspension
Replace	
	Engine Oil & Filter
	Engine Coolant
	Fuel Filter
	Air Filter & PCV Filter
	Brake Fluid
Lubrication Specifications	
Application	Specification
Automatic Transmission	Dexron-II ATF
Automatic Transmission	
Differential Gear Oil	SAE 80W-90 API GL-5
AWD Rear Differential Gear Oil	SAE 75W-90 API GL-5
Brake Fluid	FMVSS No. 116 DOT 3 Or DOT 4
Engine Coolant	Ethylene-Glycol Antifreeze Coolant
Engine Oil (1)	
Ambient Temperature	

-15° To 105°F (-26°C To 40°C)	SAE 10W-30 Or 10W-40 API SF Or SG
Maximum Temperature Less Than 0°F (-18°C)	(2) 5W-30 API SF Or SG
Power Steering Fluid	Dexron-II ATF
(1) - Since temperature ranges for different oil grades overlap, brief fluctuations in outside temperatures are no cause for concern.	
(2) - SAE 5W-30 is not recommended for sustained high speed driving.	

Fluid Capacities

Application	(1) Quantity
Automatic Transmission	10 Qts. (9.5L)
Cooling System	7.9 Qts. (7.5L)
Differential	
Auto. Trans. Differential	1.2-1.4 Qts. (1.1-1.3L)
AWD Rear Differential	1.6 Pts. (0.8L)
Engine Oil	6.3 Qts. (6.0L)
(1) - Capacities are recommended or calculated levels. Always use dipstick (if available) to measure level.	

Service Labor Times

Application	Hours
3.3L 6-Cylinder AWD Automatic Transmission	3.2

97,500 MILE (156,000 KM) SERVICE

97,500 MILE (156,000 KM) SERVICE

Service Or Inspect	
Verify Last Major Service Was Performed	
Change Engine Oil	
Change Oil Filter	
Lubrication Specifications	
Application	Specification
Engine Oil (1)	
Ambient Temperature -15° To 105°F (-26°C To 40°C)	SAE 10W-30 Or 10W-40 API SF Or SG
Maximum Temperature Less Than 0°F (-18°C)	(2) 5W-30 API SF Or SG
(1) - Since temperature ranges for different oil grades overlap, brief fluctuations in outside temperatures are no cause for concern.	
(2) - SAE 5W-30 is not recommended for sustained high speed driving.	

Fluid Capacities	
Application	(1) Quantity
Engine Oil	6.3 Qts. (6.0L)
(1) - Capacities are recommended or calculated levels. Always use dipstick (if available) to measure level.	

105,000 MILE (168,000 KM) SERVICE

105,000 MILE (168,000 KM) SERVICE

Service Or Inspect	
Verify Last Major Service Was Performed	
Braking System	
Front & Rear Axle Boots	
Axle Shaft Joints	
Steering System	
Suspension System	
Replace	
Engine Oil & Filter	
Lubrication Specifications	
Application	Specification
Brake Fluid	FMVSS No. 116 DOT 3 Or DOT 4
Engine Oil (1)	
Ambient Temperature	
-15° To 105°F (-26°C To 40°C)	SAE 10W-30 Or 10W-40 API SF Or SG
Maximum Temperature	
Less Than 0°F (-18°C)	(2) 5W-30 API SF Or SG
Power Steering Fluid	Dexron-II ATF
(1) - Since temperature ranges for different oil grades overlap, brief fluctuations in outside temperatures are no cause for concern.	
(2) - SAE 5W-30 is not recommended for sustained high speed driving.	
Fluid Capacities	
Application	(1) Quantity
Engine Oil	6.3 Qts. (6.0L)
(1) - Capacities are recommended or calculated levels. Always use dipstick (if available) to measure level.	

112,500 MILE (180,000 KM) SERVICE

112,500 MILE (180,000 KM) SERVICE

Service Or Inspect	
	Verify Last Major Service Was Performed
	Change Engine Oil
	Change Oil Filter
Lubrication Specifications	
Application	Specification
Engine Oil (1)	
Ambient Temperature -15° To 105°F (-26°C To 40°C)	SAE 10W-30 Or 10W-40 API SF Or SG
Maximum Temperature Less Than 0°F (-18°C)	(2) 5W-30 API SF Or SG
(1) - Since temperature ranges for different oil grades overlap, brief fluctuations in outside temperatures are no cause for concern.	
(2) - SAE 5W-30 is not recommended for sustained high speed driving.	
Fluid Capacities	
Application	(1) Quantity
Engine Oil	6.3 Qts. (6.0L)
(1) - Capacities are recommended or calculated levels. Always use dipstick (if available) to measure level.	

120,000 MILE (192,000 KM) SERVICE

120,000 MILE (192,000 KM) SERVICE

Service Or Inspect	
	Verify Last Major Service Was Performed
	Accessory Drive Belts
	Cooling System Hoses & Connections
	Fuel System Hoses & Connections
	Emission System Hoses & Connections
	Front & Rear Differential Gear Oil
	Brake System (Including Handbrake)
	Brake Linings & Drums
	Brake Pads & Discs

Automatic Transmission Fluid Level
Differential Gear Oil Level
Grease Front & Rear Wheel Bearings
Front & Rear Axle Boots & Axle Shaft Joints
Steering & Suspension
Replace
Engine Oil & Filter
Accessory Drive Belts
Camshaft Timing Belt
Engine Coolant
Fuel Filter
Air Filter & PCV Filter
Brake Fluid
Spark Plugs (Platinum-Tipped Type)

Lubrication Specifications

Application	Specification
Automatic Transmission	Dexron-II ATF
Automatic Transmission Differential Gear Oil	SAE 80W-90 API GL-5
AWD Rear Differential Gear Oil	SAE 75W-90 API GL-5
Brake Fluid	FMVSS No. 116 DOT 3 Or DOT 4
Engine Coolant	Ethylene-Glycol Antifreeze Coolant
Engine Oil (1) Ambient Temperature -15° To 105°F (-26°C To 40°C)	SAE 10W-30 Or 10W-40 API SF Or SG
Maximum Temperature Less Than 0°F (-18°C)	(2) 5W-30 API SF Or SG
Power Steering Fluid	Dexron-II ATF
(1) - Since temperature ranges for different oil grades overlap, brief fluctuations in outside temperatures are no cause for concern.	
(2) - SAE 5W-30 is not recommended for sustained high speed driving.	

Fluid Capacities

Application	(1) Quantity
Automatic Transmission	10 Qts. (9.5L)
Cooling System	7.9 Qts. (7.5L)
Differential	
Auto. Trans. Differential	1.2-1.4 Qts. (1.1-1.3L)
AWD Rear Differential	1.6 Pts. (0.8L)
Engine Oil	6.3 Qts. (6.0L)

(1) - Capacities are recommended or calculated levels. Always use dipstick (if available) to measure level.

Service Labor Times

Application	Hours
3.3L 6-Cylinder AWD Automatic Transmission	6.0

LUBRICATION SPECIFICATIONS

LUBRICATION SPECIFICATIONS TABLE

Application	Fluid Specifications
Automatic Transmission	Dexron-II ATF
Automatic Transmission Differential Gear Oil	SAE 80W-90 API GL-5
AWD Rear Differential Gear Oil	SAE 75W-90 API GL-5
Brake Fluid	FMVSS No. 116 DOT 3 Or DOT 4
Engine Coolant	Ethylene-Glycol Antifreeze Coolant
Engine Oil (1) Ambient Temperature	
-15° To 105°F (-26°C To 40°C)	SAE 10W-30 Or 10W-40 API SF Or SG
Maximum Temperature Less Than 0°F (-18°C)	(2) 5W-30 API SF Or SG
Power Steering Fluid	Dexron-II ATF

- (1) - Since temperature ranges for different oil grades overlap, brief fluctuations in outside temperatures are no cause for concern.
- (2) - SAE 5W-30 is not recommended for sustained high speed driving.

FLUID CAPACITIES

FLUID CAPACITIES TABLE (1)

Application	Quantity
A/C System R-12 Refrigerant 1992	26-28 Ozs.
A/C System R-134a Refrigerant (2) 1993-95	22.8 Ozs.
Automatic Transmission	10 Qts. (9.5L)
Cooling System	7.9 Qts. (7.5L)
Differential Auto. Trans. Differential	1.2-1.4 Qts. (1.1-1.3L)
AWD Rear Differential	1.6 Pts. (0.8L)
Engine Oil	6.3 Qts. (6.0L)
Fuel Tank 1992-93	15.9 Gals. (60L)
1994-95	18.0 Gals. (70L)

- (1) - Capacities are recommended or calculated levels. Always use dipstick (if available) to measure level.
- (2) - Use of R-12 in a R134a system will result in SEVERE DAMAGE.
