

BRZ ELECTRICAL WIRING DIAGRAM

	Section Code	Page
INTRODUCTION	A	2
HOW TO USE THIS MANUAL	B	3
TROUBLESHOOTING	C	12
ABBREVIATIONS	D	17
GLOSSARY OF TERMS AND SYMBOLS	E	18
RELAY LOCATIONS	F	20
ELECTRICAL WIRING ROUTING	G	38
SYSTEM CIRCUITS	H	50
GROUND POINT	I	378
POWER SOURCE (Current Flow Chart)	J	386
CONNECTOR LIST	K	396

A INTRODUCTION

This manual consists of the following 13 sections:

No.	Section	Description
A	INDEX	Index of the contents of this manual.
	INTRODUCTION	Brief explanation of each section.
B	HOW TO USE THIS MANUAL	Instructions on how to use this manual.
C	TROUBLE-SHOOTING	Describes the basic inspection procedures for electrical circuits.
D	ABBREVIATIONS	Defines the abbreviations used in this manual.
E	GLOSSARY OF TERMS AND SYMBOLS	Defines the symbols and functions of major parts.
F	RELAY LOCATIONS	Shows position of the Electronic Control Unit, Relays, Relay Block, etc. This section is closely related to the system circuit.
G	ELECTRICAL WIRING ROUTING	Describes position of Parts Connectors, Splice points, Ground points, etc. This section is closely related to the system circuit.
H	INDEX	Index of the system circuits.
	SYSTEM CIRCUITS	Electrical circuits of each system are shown from the power supply through ground points. Wiring connections and their positions are shown and classified by code according to the connection method. (Refer to the section, "How to use this manual"). * Only wiring information for complete circuits is included.
I	GROUND POINT	Shows ground positions of all parts described in this manual.
J	POWER SOURCE (Current Flow Chart)	Describes power distribution from the power supply to various electrical loads.
K	CONNECTOR LIST	Describes the form of the connectors for the parts appeared in this book. This section is closely related to the system circuit.

HOW TO USE THIS MANUAL B

This manual provides information on the electrical circuits installed on vehicles by dividing them into a circuit for each system.

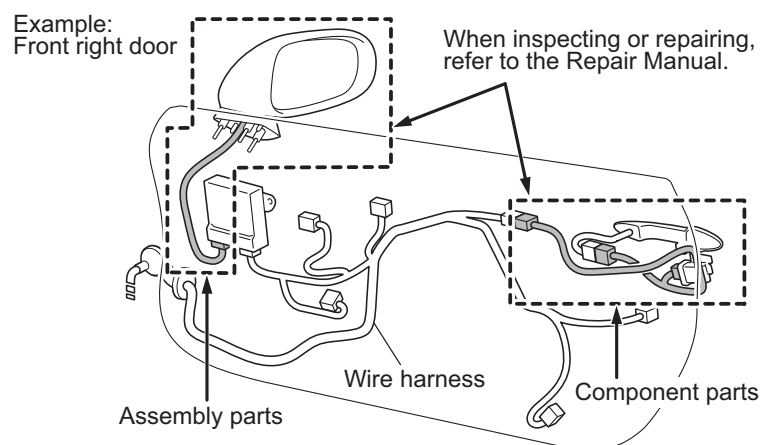
The actual wiring of each system circuit is shown from the point where the power source is received from the battery as far as each ground point. (All circuit diagrams are shown with the switches in the OFF position.)

When troubleshooting any problem, first understand the operation of the circuit where the problem was detected (see System Circuit section), the power source supplying power to that circuit (see Power Source section), and the ground points (see Ground Point section).

When the circuit operation is understood, begin troubleshooting of the problem circuit to isolate the cause. Use Relay Location and Electrical Wiring Routing sections to find each part, junction block and wiring harness connectors, wiring harness and wiring harness connectors and ground points of each system circuit. Internal wiring for each junction block is also provided for better understanding of connection within a junction block.

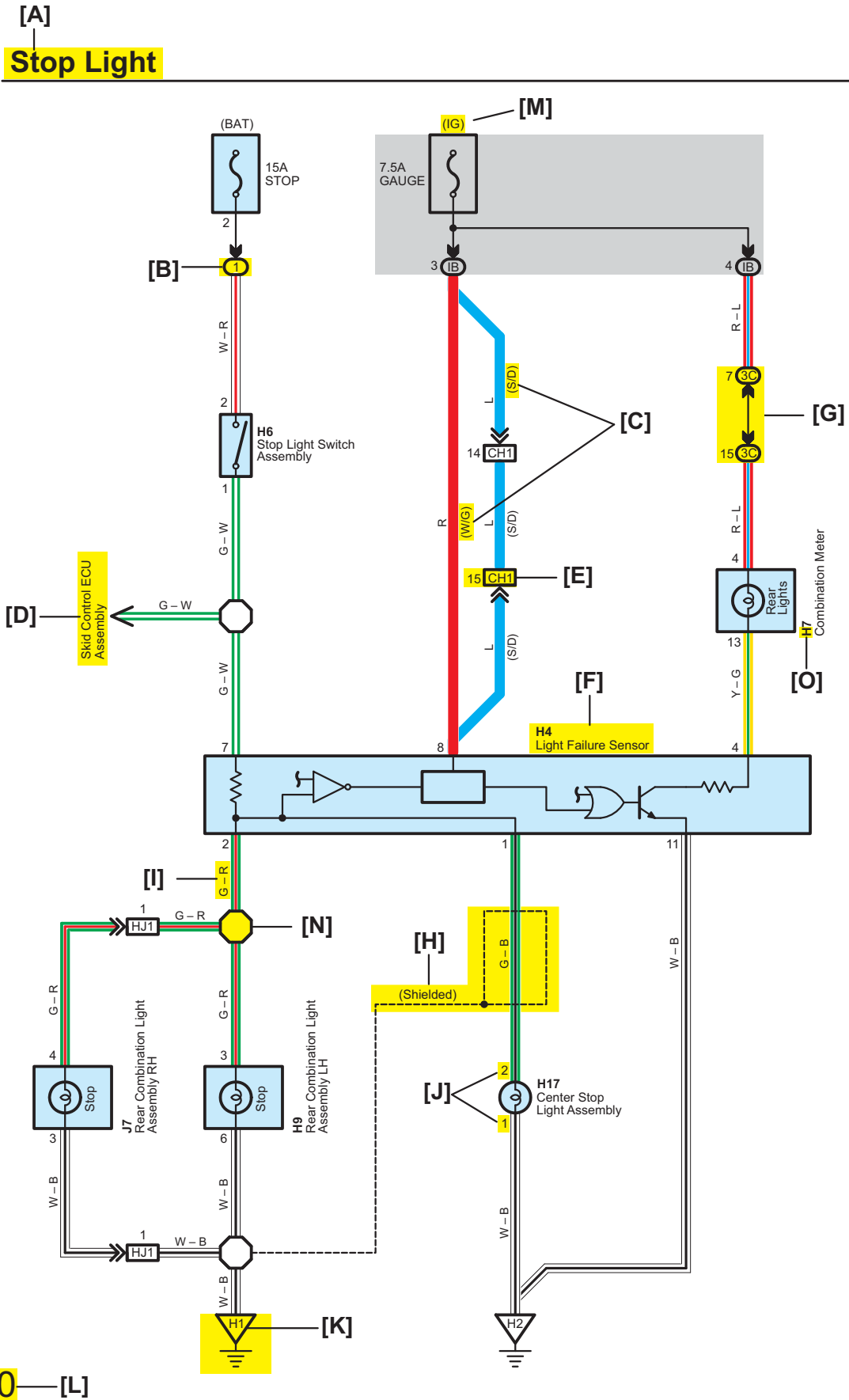
Wiring related to each system is indicated in each system circuit by arrows (from __, to __). When overall connections are required, see the Overall Electrical Wiring Diagram at the end of this manual.

*The information in this manual is about the wire harnesses. Information about component and assembly parts is for reference, but in some cases this reference information might not be included or might differ from the actual vehicle. When inspecting or repairing a vehicle, refer to the relevant Repair Manual.



B HOW TO USE THIS MANUAL

* The system shown here is an EXAMPLE ONLY. It is different to the actual circuit shown in the SYSTEM CIRCUITS SECTION.



[A] : System Title

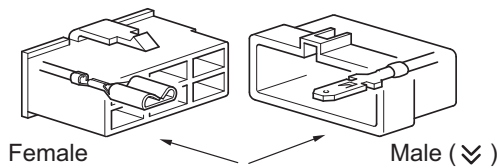
[B] : Indicates a Relay Block. No shading is used and only the Relay Block No. is shown to distinguish it from the J/B

Example: ① Indicates Relay Block No.1

[C] : () is used to indicate different wiring and connector, etc. when the vehicle model, engine type, or specification is different.

[D] : Indicates related system.

[E] : Indicates the code for the (male and female) connectors which are used to join two wire harnesses. The connector code consists of two alphabetical and one numerical characters.



The first character of the connector code indicates the alphabetical code allocated to the wire harness which has the female connector, and the second shows that of the wire harness which has the male connector.

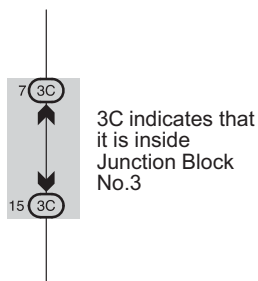
The third character indicates a serial number used to distinguish between the wire harness combinations in cases when more than one of the same combination of wire harnesses exist (e.g. CH1 and CH2).

Symbol (∞) indicates the male terminal connector. Numbers outside connector codes indicate the pin numbers of both male and female connectors.

[F] : Represents a part (all parts are shown in sky blue). The code is the same as the code used in parts position.

[G] : Junction Block (The number in the circle is the J/B No. and the connector code is shown beside it). Junction Blocks are shaded to clearly separate them from other parts.

Example:



[H] : Indicates a shielded cable.



[I] : Indicates the wiring color.

Wire colors are indicated by an alphabetical code.

Copper wires

- | | | |
|------------|------------|------------------|
| B = Black | W = White | BR = Brown |
| L = Blue | V = Violet | SB = Sky Blue |
| R = Red | G = Green | LG = Light Green |
| P = Pink | Y = Yellow | GR = Gray |
| O = Orange | BE = Beige | DG = Dark Gray |

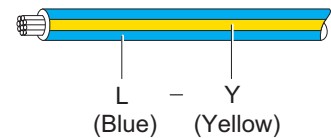
Aluminum wires

LA = Lavender

NOTICE: Do not splice into aluminum wires for power sources or signals.

The first letter indicates the basic wire color and the second letter indicates the color of the stripe.

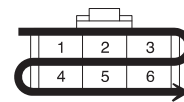
Example: L - Y



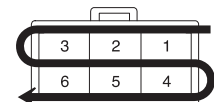
[J] : Indicates the pin number of the connector. The numbering system is different for female and male connectors.

Example: Numbered in order from upper left to lower right

Numbered in order from upper right to lower left



Female



Male

[K] : Indicates the ground point. The code consists of the two characters: A letter and number. The first character of the code indicates the alphabetical code allocated to the wire harness. The second character indicates a serial number used to distinguish between the ground points in cases when more than one ground point exist on the same wire harness.

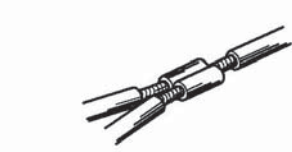
[L] : Page No.

[M] : Indicates the ignition key position(s) when the power is supplied to the fuse(s).

B HOW TO USE THIS MANUAL

[N] : Indicates a wiring Splice Point.

Example:



[O] : Wire Harness Code

Each wire harness is represented by a code. Wire harness codes are used in the parts codes, connector joining wire harness and wire harness codes, and ground point codes. For example, H7 (combination meter), CH1 (male, connector joining wire harness and wire harness), and H2 (ground point) indicate that they are the parts belonging to the same wire harness "H".

[P] ○ : Parts Location

Code	See Page	Code	See Page	Code	See Page
H4	36	H7	36	H17	38
H6	36	H9	38	J7	38

[Q] ○ : Relay Blocks

Code	See Page	Relay Blocks (Relay Block Location)
1	18	R/B No.1 (Instrument Panel Brace LH)

[R] ○ : Junction Block and Wire Harness Connector

Code	See Page	Junction Block and Wire Harness (Connector Location)
3C	22	Instrument Panel Wire and J/B No.3 (Instrument Panel Brace LH)
IB	20	Instrument Panel Wire and Instrument Panel J/B (Lower Finish Panel)

[S] □ : Connector Joining Wire Harness and Wire Harness

Code	See Page	Joining Wire Harness and Wire Harness (Connector Location)
CH1	42	Engine Room Main Wire and Instrument Panel Wire (Left Kick Panel)
HJ1	50	Instrument Panel Wire and Floor Wire (Right Kick Panel)

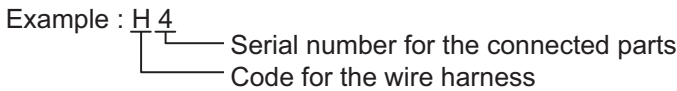
[T] ▽ : Ground Points

Code	See Page	Ground Points Location
H1	50	Under the Left Center Pillar
H2	50	Back Panel Center

[P] : Indicates reference pages showing the parts locations in the system circuit on the vehicle.

Example : Code "H4" (Light Failure Sensor) is on page 36 of the manual.

* The first character of the code indicates the alphabetical code allocated to the wire harness, and the second character indicates the serial number of the parts connected to the wire harness.



[Q] : Indicates the reference page showing the position on the vehicle of Relay Block Connectors in the system circuit.

Example : Connector "1" is described on page 18 of this manual and is installed on the left side of the instrument panel.

[R] : Indicates the reference page showing the position on the vehicle of J/B and Wire Harness in the system circuit.

Example : Connector "3C" connects the Instrument Panel Wire and J/B No.3. It is described on page 22 of this manual, and is installed on the instrument panel left side.

[S] : Indicates the reference page describing the wiring harness and wiring harness connector (the female wiring harness is shown first, followed by the male wiring harness).

Example : Connector "CH1" connects the Engine Room Main Wire (female) and Instrument Panel Wire (male). It is described on page 42 of this manual, and is installed on the left side kick panel.

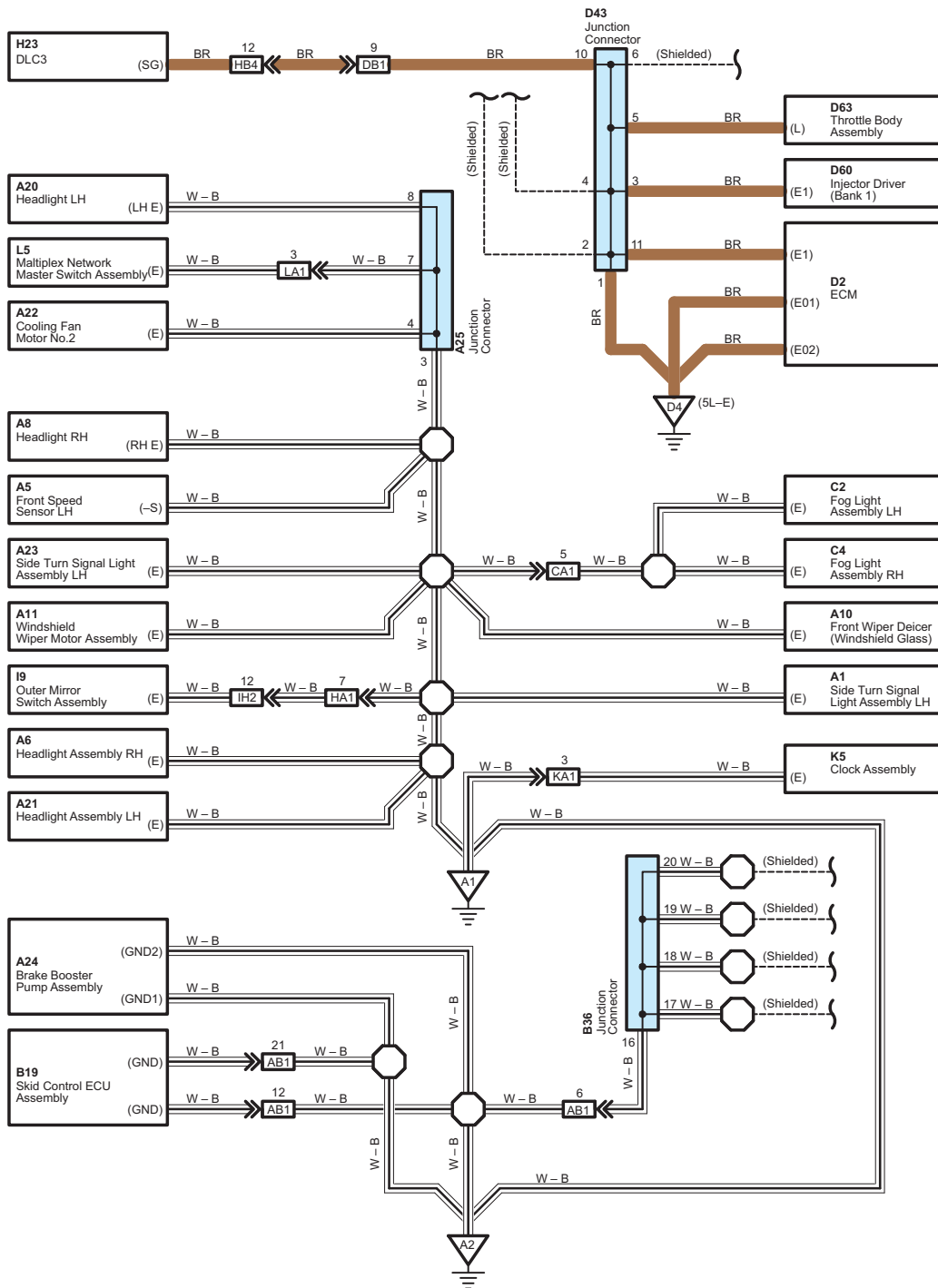
[T] : Indicates the reference page showing the position of the ground points on the vehicle.

Example : Ground point "H2" is described on page 50 of this manual and is installed on the back panel center.

B HOW TO USE THIS MANUAL

The ground points circuit diagram shows the connections from all major parts to the respective ground points. When troubleshooting a faulty ground point, checking the system circuits which use a common ground may help you identify the problem ground quickly. The relationship between ground points ($\nabla A1$, $\nabla A2$ and $\nabla D4$ shown below) can also be checked this way.

I GROUND POINT

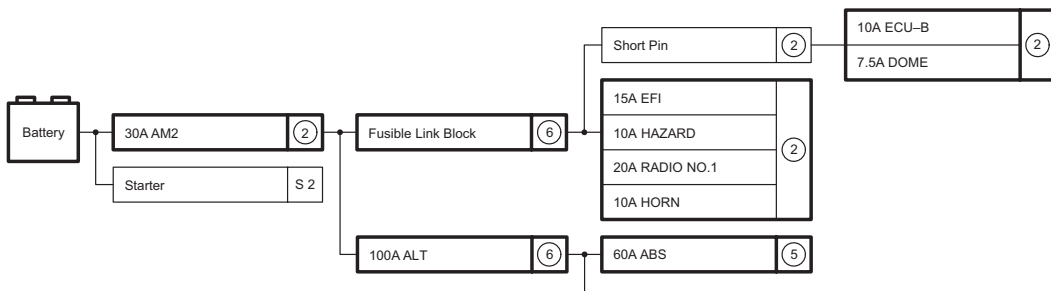


* The system shown here is an EXAMPLE ONLY. It is different to the actual circuit shown in the SYSTEM CIRCUITS SECTION.

The "Current Flow Chart" section, describes which parts each power source (fuses, fusible links, and circuit breakers) transmits current to. In the Power Source circuit diagram, the conditions when battery power is supplied to each system are explained. Since all System Circuit diagrams start from the power source, the power source system must be fully understood.

J POWER SOURCE (Current Flow Chart)

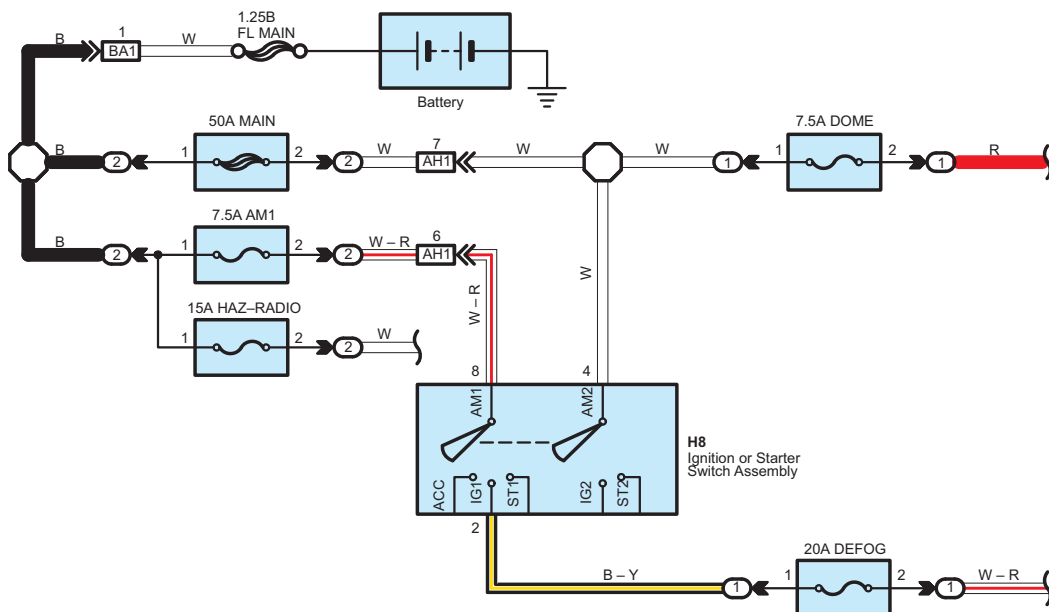
The chart below shows the route by which current flows from the battery to each electrical source (Fusible Link, Circuit Breaker, Fuses, etc.) and other parts



Engine Room R/B (See Page 20)

Fuse	System	Page	
20A	STOP	ABS	194
		ABS and Traction Control	187
		Cruise Control	180
		Electronically Controlled Transmission	166
		Multiplex Communication System	210
10A	DOME	Cigarette Lighter	214
		Combination Meter	230
		Headlight	112
		Interior Light	122
		Key Reminder and Seat Belt Warning	
		Light Auto Turn Off System	

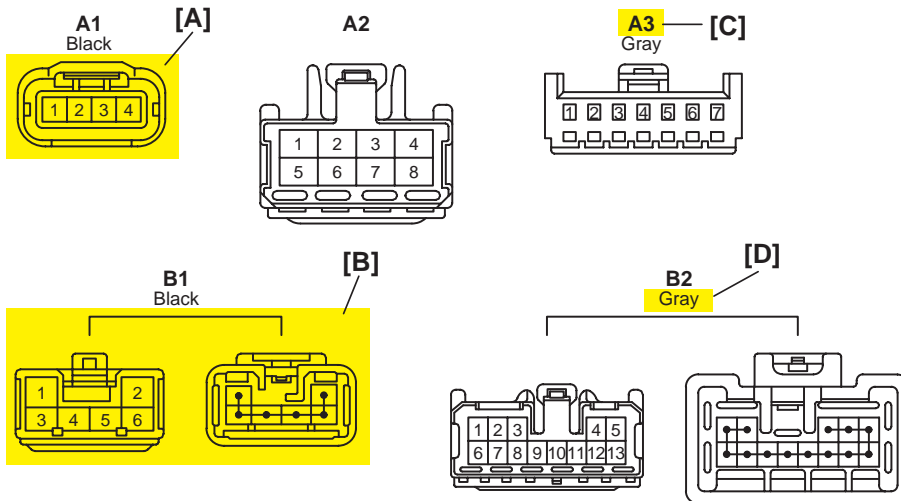
Power Source



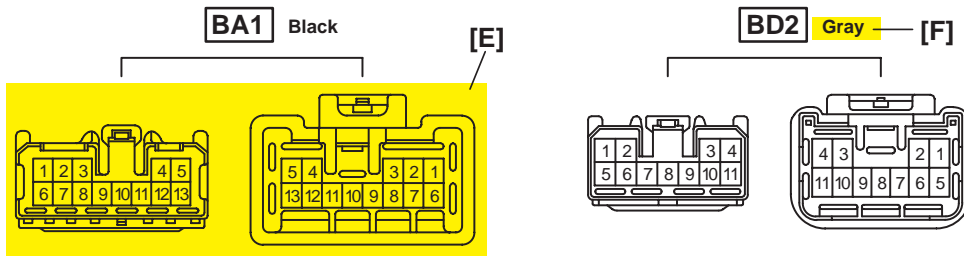
* The system shown here is an EXAMPLE ONLY. It is different to the actual circuit shown in the SYSTEM CIRCUITS SECTION.

B HOW TO USE THIS MANUAL

K CONNECTOR LIST

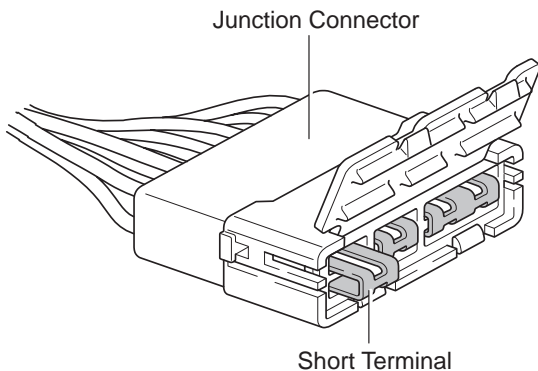


K CONNECTOR LIST



[A] : Indicates connector to be connected to a part. (The numeral indicates the pin No.)

[B] : Junction Connector
Indicates a connector which is connected to a short terminal.



Junction connector in this manual include a short terminal which is connected to a number of wire harnesses. Always perform inspection with the short terminal installed.

The names for the junction connectors differ with the names used in the Repair Manual. (Example: Connector A17 is referred to as "J/C No. 2" in the wiring diagram, whereas the same connector is referred to as "CAN J/C1" in the "CAN Communication System" section in the Repair Manual.)

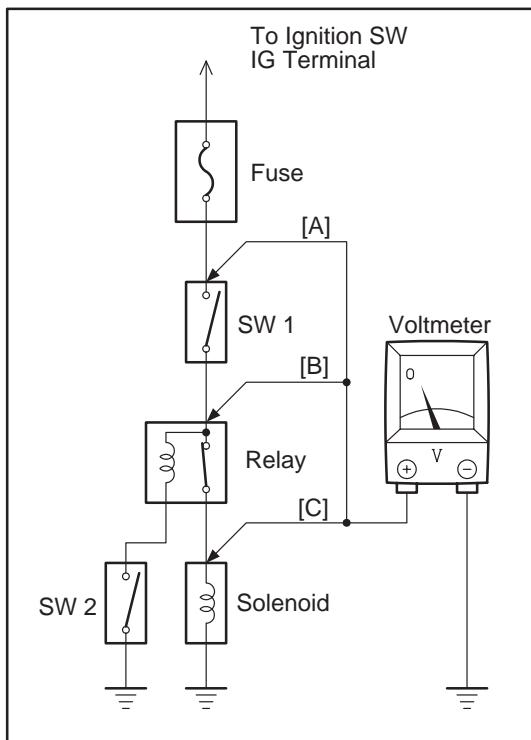
[C] : Parts Code
The first letter of the code is taken from the first letter of part, and the numbers indicates its order in parts which start with the same letter.

[D] : Connector Color
Connectors not indicated are milky white in color.

[E] : Indicates the connector shapes which are used to join wire harnesses.
On Left : Female connector shapes
On Right : Male connector shapes
Numbers indicate pin numbers.

[F] : Indicates connector colors. (Connectors with not indicated colors are white)

C TROUBLESHOOTING



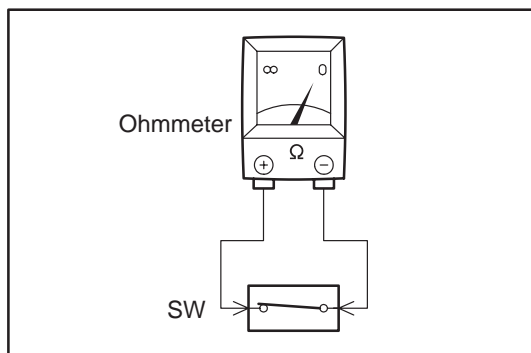
VOLTAGE CHECK

- (a) Establish conditions in which voltage is present at the check point.

Example:

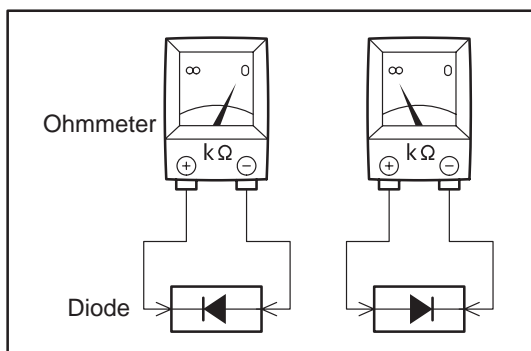
- [A] – Ignition SW on
- [B] – Ignition SW and SW 1 on
- [C] – Ignition SW, SW 1 and Relay on (SW 2 off)

- (b) Using a voltmeter, connect the negative lead to a good ground point or negative battery terminal, and the positive lead to the connector or component terminal.
This check can be done with a test light instead of a voltmeter.



CONTINUITY AND RESISTANCE CHECK

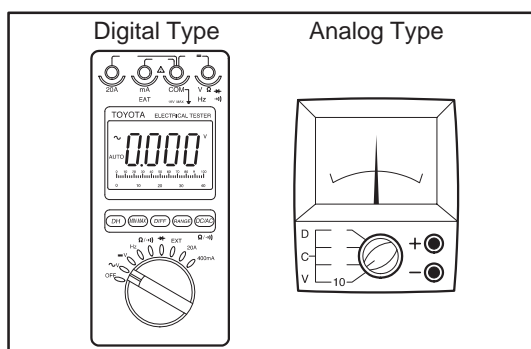
- (a) Disconnect the battery terminal or wire so there is no voltage between the check points.
(b) Contact the two leads of an ohmmeter to each of the check points.



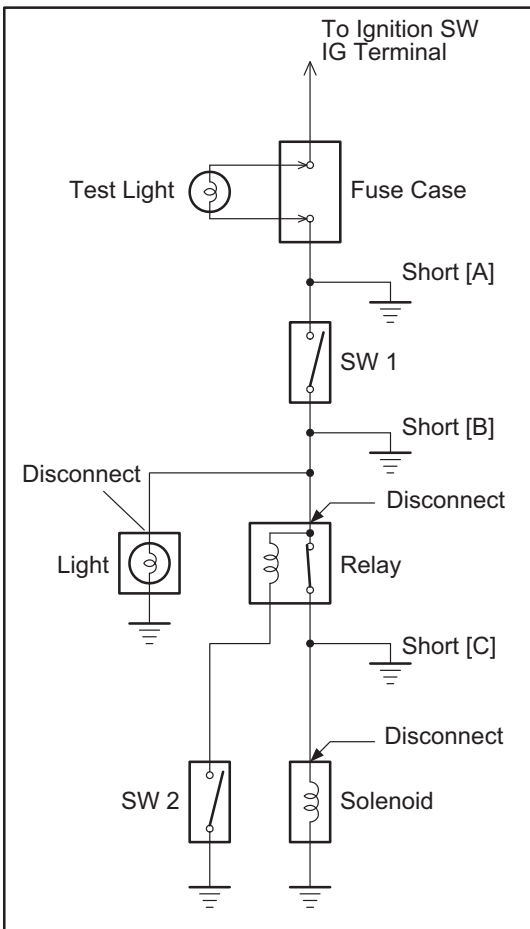
If the circuit has diodes, reverse the two leads and check again.

When contacting the negative lead to the diode positive side and the positive lead to the negative side, there should be continuity.

When contacting the two leads in reverse, there should be no continuity.



- (c) Use a volt/ohmmeter with high impedance (10kΩ/V minimum) for troubleshooting of the electrical circuit.



FINDING A SHORT CIRCUIT

- Remove the blown fuse and disconnect all loads of the fuse.
- Connect a test light in place of the fuse.
- Establish conditions in which the test light comes on.

Example:

[A] – Ignition SW on

[B] – Ignition SW and SW 1 on

[C] – Ignition SW, SW 1 and Relay on (Connect the Relay) and SW 2 off (or Disconnect SW 2)

- Disconnect and reconnect the connectors while watching the test light.
The short lies between the connector where the test light stays lit and the connector where the light goes out.
- Find the exact location of the short by lightly shaking the problem wire along the body.

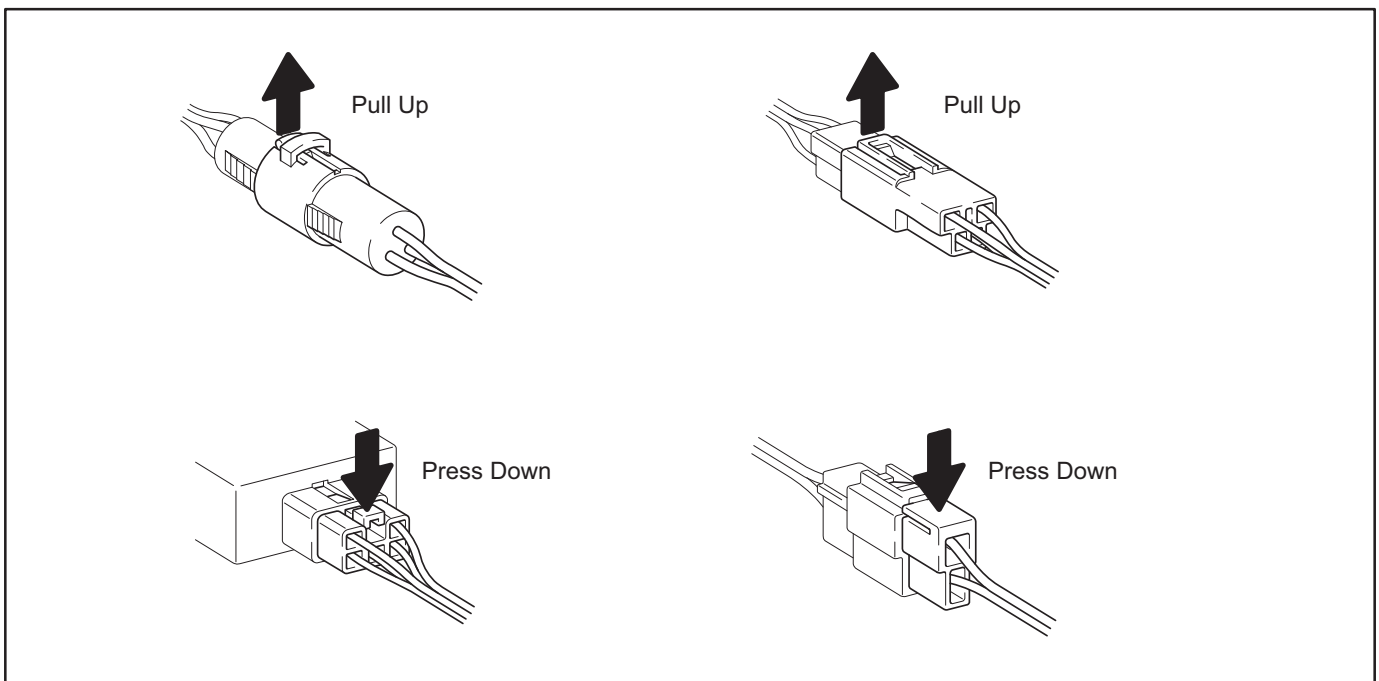
CAUTION:

- Do not open the cover or the case of the ECU unless absolutely necessary. (If the IC terminals are touched, the IC may be destroyed by static electricity.)**
- When replacing the internal mechanism (ECU part) of the digital meter, be careful that no part of your body or clothing comes in contact with the terminals of leads from the IC, etc. of the replacement part (spare part).**

DISCONNECTION OF MALE AND FEMALE CONNECTORS

To pull apart the connectors, pull on the connector itself, not the wire harness.

HINT: Check to see what kind of connector you are disconnecting before pulling apart.



ABBREVIATIONS

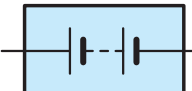
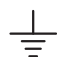
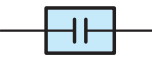
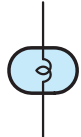


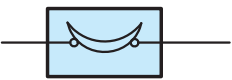


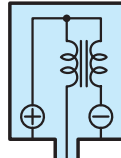




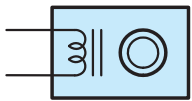






The following abbreviations are used in this manual.

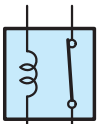
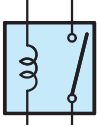
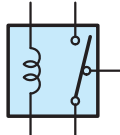
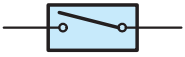
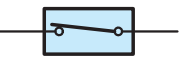
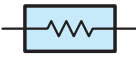
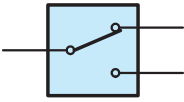
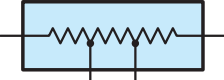
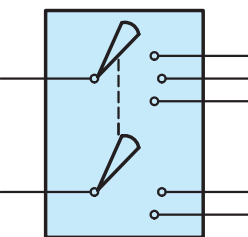


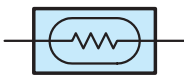
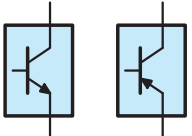

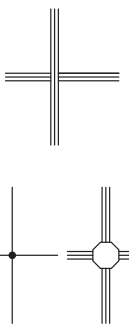

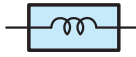
A/C	=	Air Conditioning
A/T	=	Automatic Transmission
ABS	=	Anti-Lock Brake System
CAN	=	Controller Area Network
CPU	=	Central Processing Unit
DLC3	=	Data Link Connector 3
E.F.I.	=	Electronic Fuel Injection
ECM	=	Engine Control Module
ECU	=	Electronic Control Unit
EDU	=	Electronic Driving Unit
EPS	=	Electric Motor Power Steering
HID	=	High Intensity Discharge
J/B	=	Junction Block
LED	=	Light Emitting Diode
LH	=	Left-Hand
M/T	=	Manual Transmission
R/B	=	Relay Block
RH	=	Right-Hand
SRS	=	Supplemental Restraint System
TRAC	=	Traction Control
VSC	=	Vehicle Stability Control
VSV	=	Vacuum Switching Valve
VVT	=	Variable Valve Timing
w/	=	With
w/o	=	Without

"EFI" and "VVT" are registered trademarks of Toyota Motor Corporation.

* The titles given inside the components are the names of the terminals (terminal codes) and are not treated as being abbreviations.

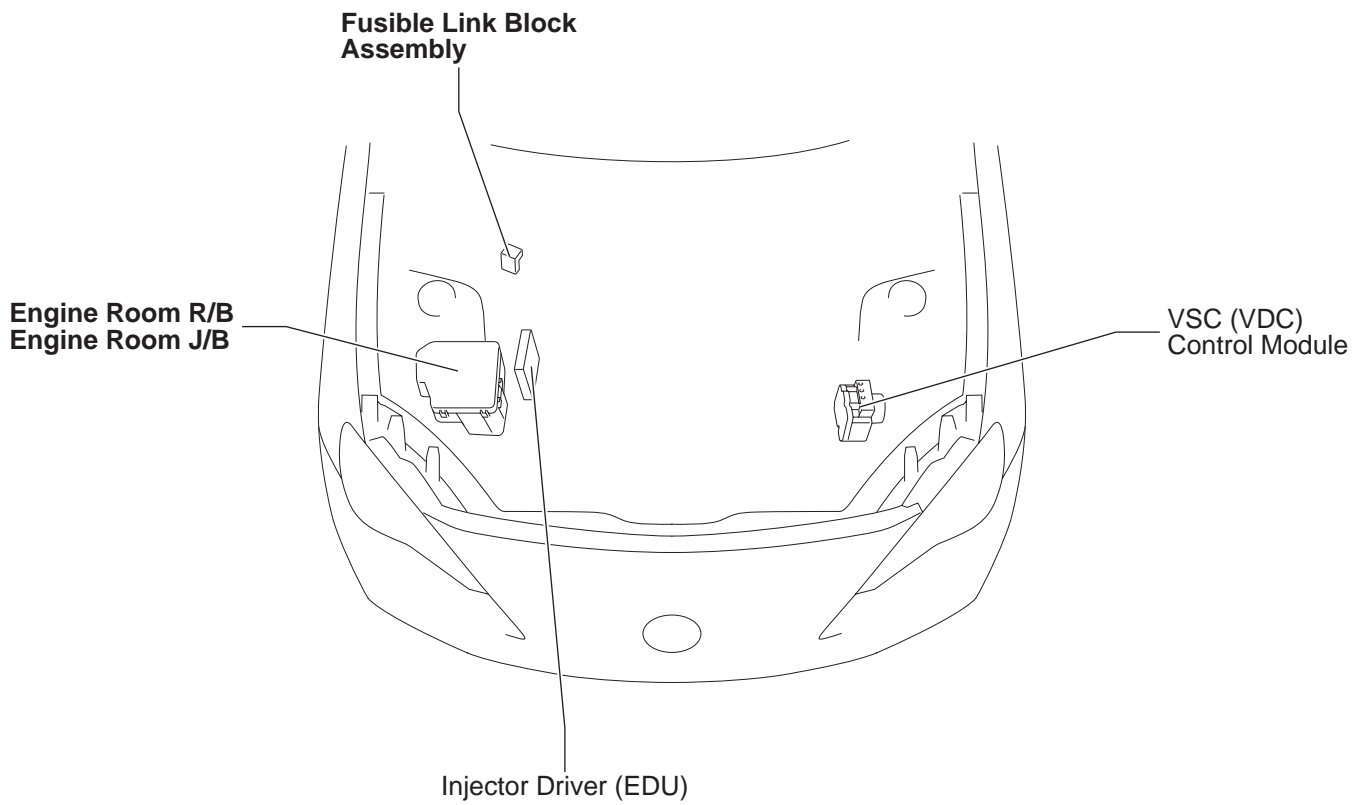
E GLOSSARY OF TERMS AND SYMBOLS

 <p>BATTERY Stores chemical energy and converts it into electrical energy. Provides DC current for the auto's various electrical circuits.</p>	 <p>GROUND The point at which wiring attaches to the Body, thereby providing a return path for an electrical circuit; without a ground, current cannot flow.</p>
 <p>CAPACITOR (Condenser) A small holding unit for temporary storage of electrical voltage.</p>	<p>HEADLIGHTS Current flow causes a headlight filament to heat up and emit light. A headlight may have either a single (1) filament or a double (2) filament</p> <p>1. SINGLE FILAMENT</p>  <p>2. DOUBLE FILAMENT</p> 
 <p>CIGARETTE LIGHTER An electric resistance heating element.</p>	
 <p>CIRCUIT BREAKER Basically a reusable fuse, a circuit breaker will heat and open if too much current flows through it. Some units automatically reset when cool, others must be manually reset.</p>	 <p>HORN An electric device which sounds a loud audible signal.</p>
 <p>DIODE A semiconductor which allows current flow in only one direction.</p>	 <p>IGNITION COIL Converts low-voltage DC current into high-voltage ignition current for firing the spark plugs.</p>
 <p>DIODE, ZENER A diode which allows current flow in one direction but blocks reverse flow only up to a specific voltage. Above that potential, it passes the excess voltage. This acts as a simple voltage regulator.</p>	 <p>LIGHT Current flow through a filament causes the filament to heat up and emit light.</p>
 <p>PHOTODIODE The photodiode is a semiconductor which controls the current flow according to the amount of light.</p>	 <p>LED (LIGHT EMITTING DIODE) Upon current flow, these diodes emit light without producing the heat of a comparable light.</p>
 <p>DISTRIBUTOR, IIA Channels high-voltage current from the ignition coil to the individual spark plugs.</p>	 <p>METER, ANALOG Current flow activates a magnetic coil which causes a needle to move, thereby providing a relative display against a background calibration.</p>
 <p>FUSE A thin metal strip which burns through when too much current flows through it, thereby stopping current flow and protecting a circuit from damage.</p>  <p>FUSIBLE LINK (for Medium Current Fuse) A heavy-gauge wire placed in high amperage circuits which burns through on overloads, thereby protecting the circuit. The numbers indicate the crosssection surface area of the wires.</p>  <p>(for High Current Fuse or Fusible Link)</p>	 <p>METER, DIGITAL Current flow activates one or many LED's, LCD's, or fluorescent displays, which provide a relative or digital display.</p>
	 <p>MOTOR A power unit which converts electrical energy into mechanical energy, especially rotary motion.</p>

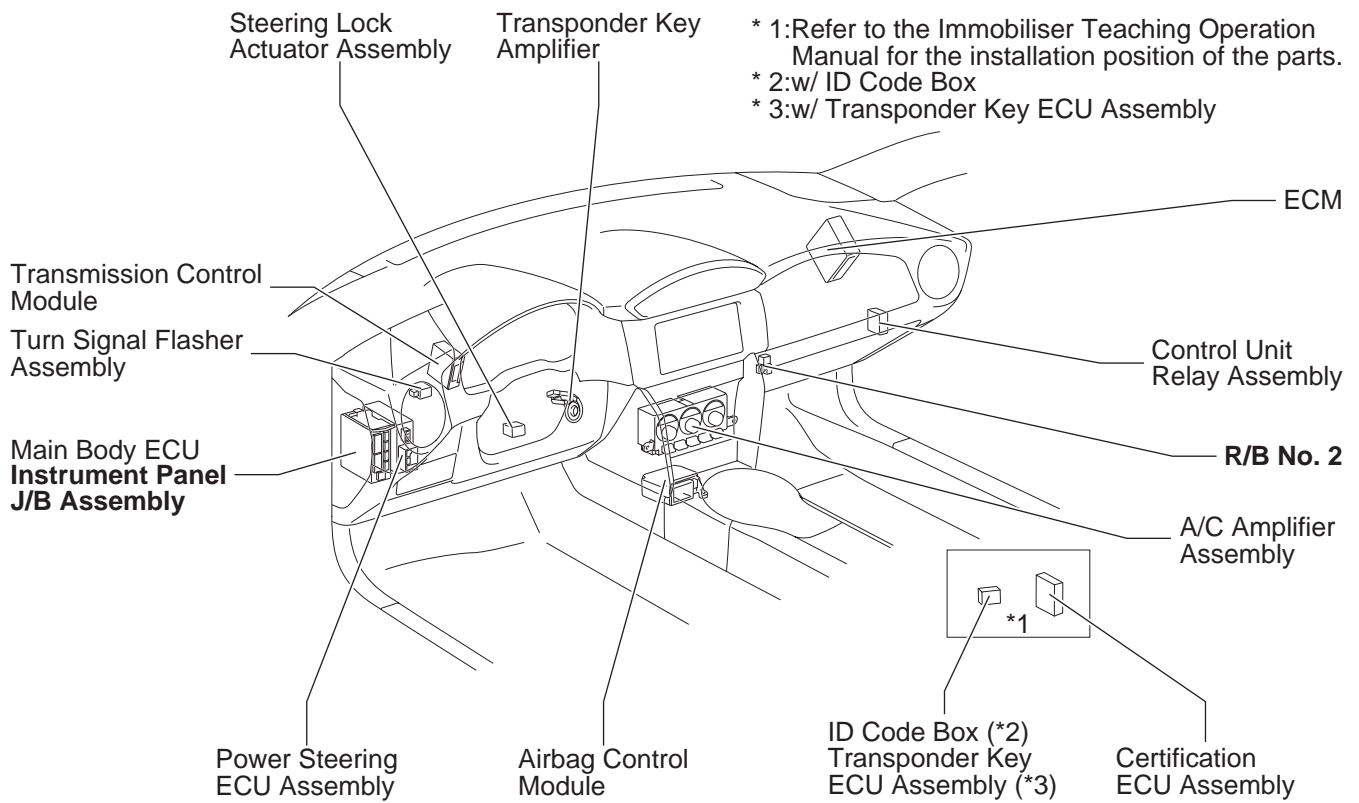
 <p>1. NORMALLY CLOSED</p>  <p>2. NORMALLY OPEN</p>	<p>RELAY Basically, an electrically operated switch which may be normally closed (1) or open (2). Current flow through a small coil creates a magnetic field which either opens or closes an attached switch.</p> <p>SPEAKER An electromechanical device which creates sound waves from current flow.</p>
 <p>RELAY, DOUBLE THROW A relay which passes current through one set of contacts or the other.</p>	<p>SWITCH, MANUAL Opens and closes circuits, thereby stopping (1) or allowing (2) current flow.</p>  <p>1. NORMALLY OPEN</p>  <p>2. NORMALLY CLOSED</p>
 <p>RESISTOR An electrical component with a fixed resistance, placed in a circuit to reduce voltage to a specific value.</p>	<p>SWITCH, DOUBLE THROW A switch which continuously passes current through one set of contacts or the other.</p> 
 <p>RESISTOR, TAPPED A resistor which supplies two or more different non adjustable resistance values.</p>	<p>SWITCH, IGNITION A key operated switch with several positions which allows various circuits, particularly the primary ignition circuit, to become operational.</p> 
 <p>RESISTOR, VARIABLE or RHEOSTAT A controllable resistor with a variable rate of resistance. Also called a potentiometer or rheostat.</p>	<p>SWITCH, WIPER PARK Automatically returns wipers to the stop position when the wiper switch is turned off.</p> 
 <p>SENSOR (Thermistor) A resistor which varies its resistance with temperature.</p>	<p>TRANSISTOR A solidstate device typically used as an electronic relay; stops or passes current depending on the voltage applied at "base".</p> 
 <p>SENSOR, SPEED Uses magnetic impulses to open and close a switch to create a signal for activation of other components. (Reed Switch Type)</p>	<p>WIRES Wires are always drawn as straight lines on wiring diagrams. Crossed wires (1) without a black dot at the junction are not joined; crossed wires (2) with a black dot or octagonal (◻) mark at the junction are spliced (joined) connections.</p>  <p>(1) NOT CONNECTED</p> <p>(2) SPLICED</p>
 <p>SHORT PIN Used to provide an unbroken connection within a junction block.</p>	
 <p>SOLENOID An electromagnetic coil which forms a magnetic field when current flows, to move a plunger, etc.</p>	

F RELAY LOCATIONS

[Engine Compartment]

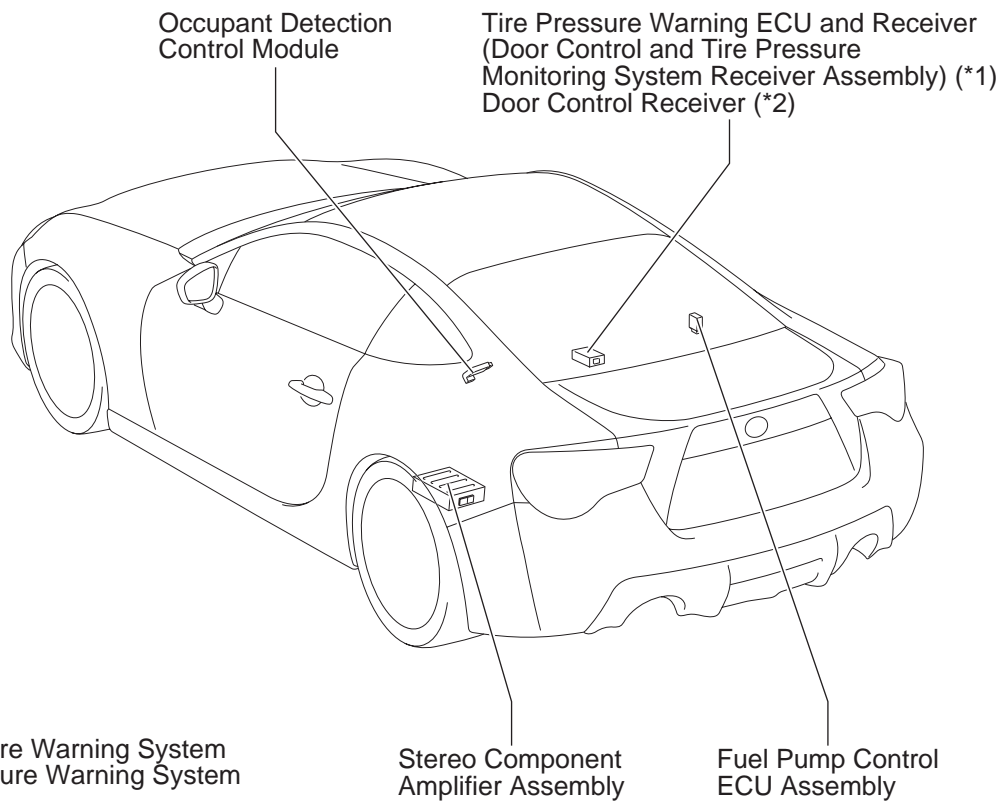


[Instrument Panel]



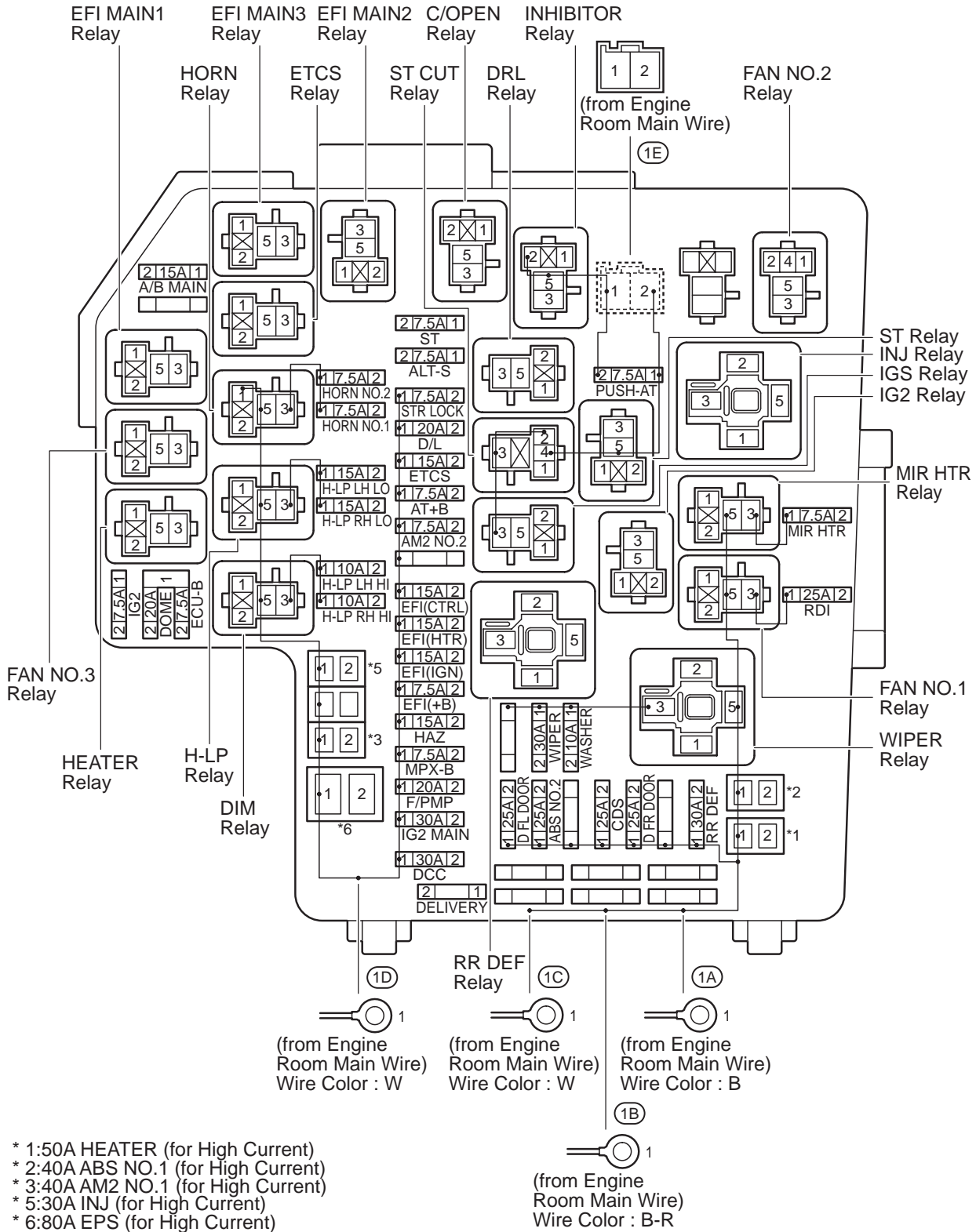
F RELAY LOCATIONS

[Body]

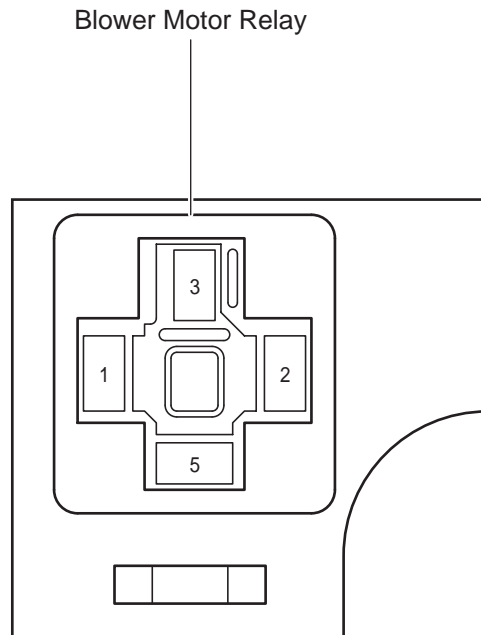


F RELAY LOCATIONS

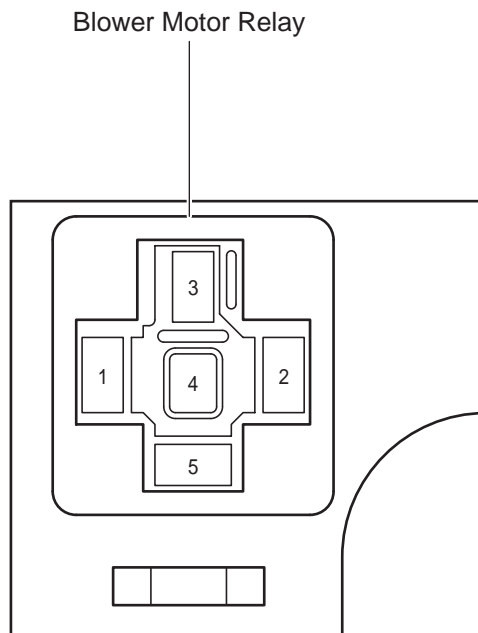
① : Engine Room R/B	Engine Compartment Right (See Page 20)
○ : Engine Room J/B	



② : R/B No. 2 (Automatic A/C)	Behind Glove Box (See Page 21)
----------------------------------	--------------------------------

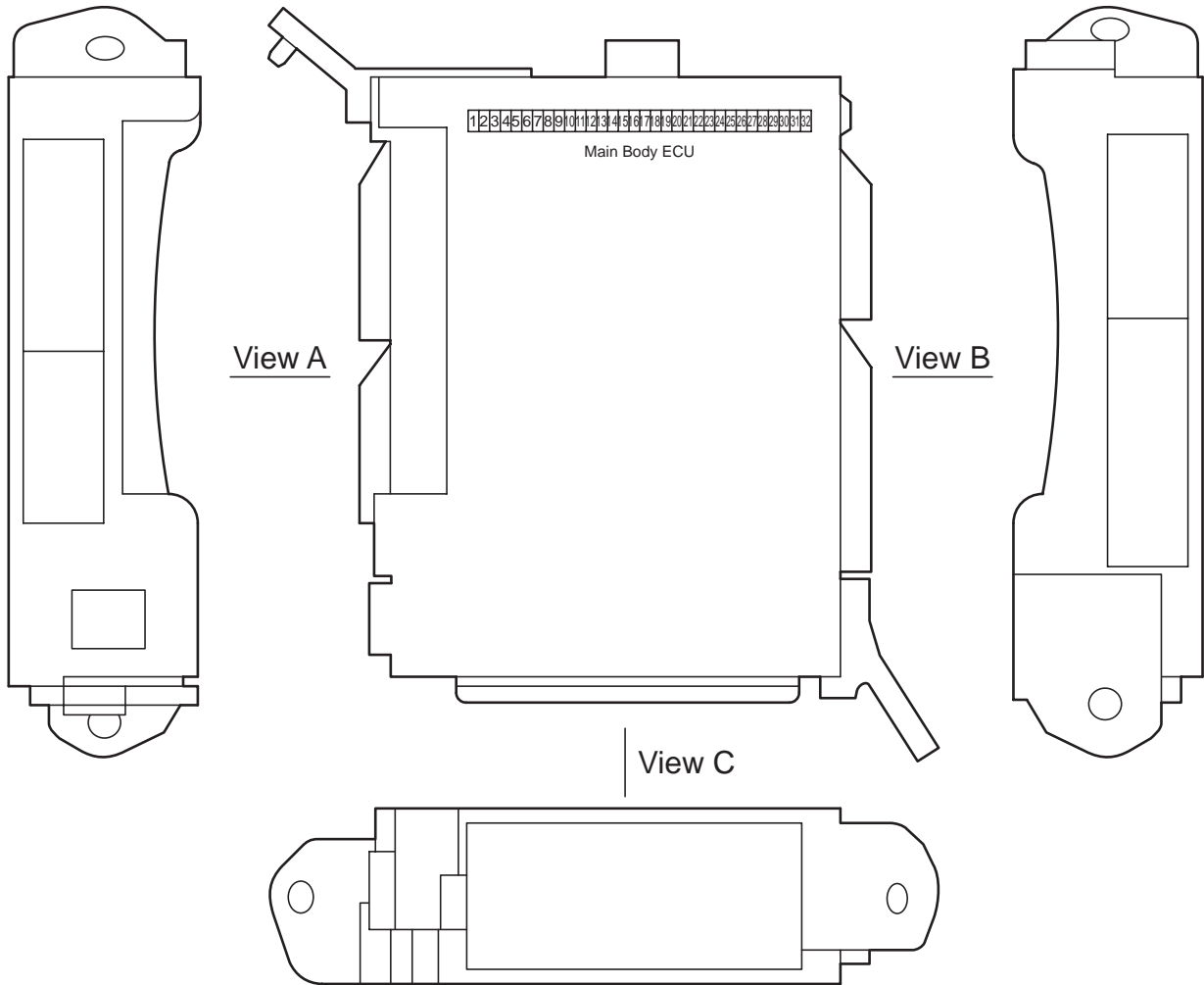


(Manual A/C)

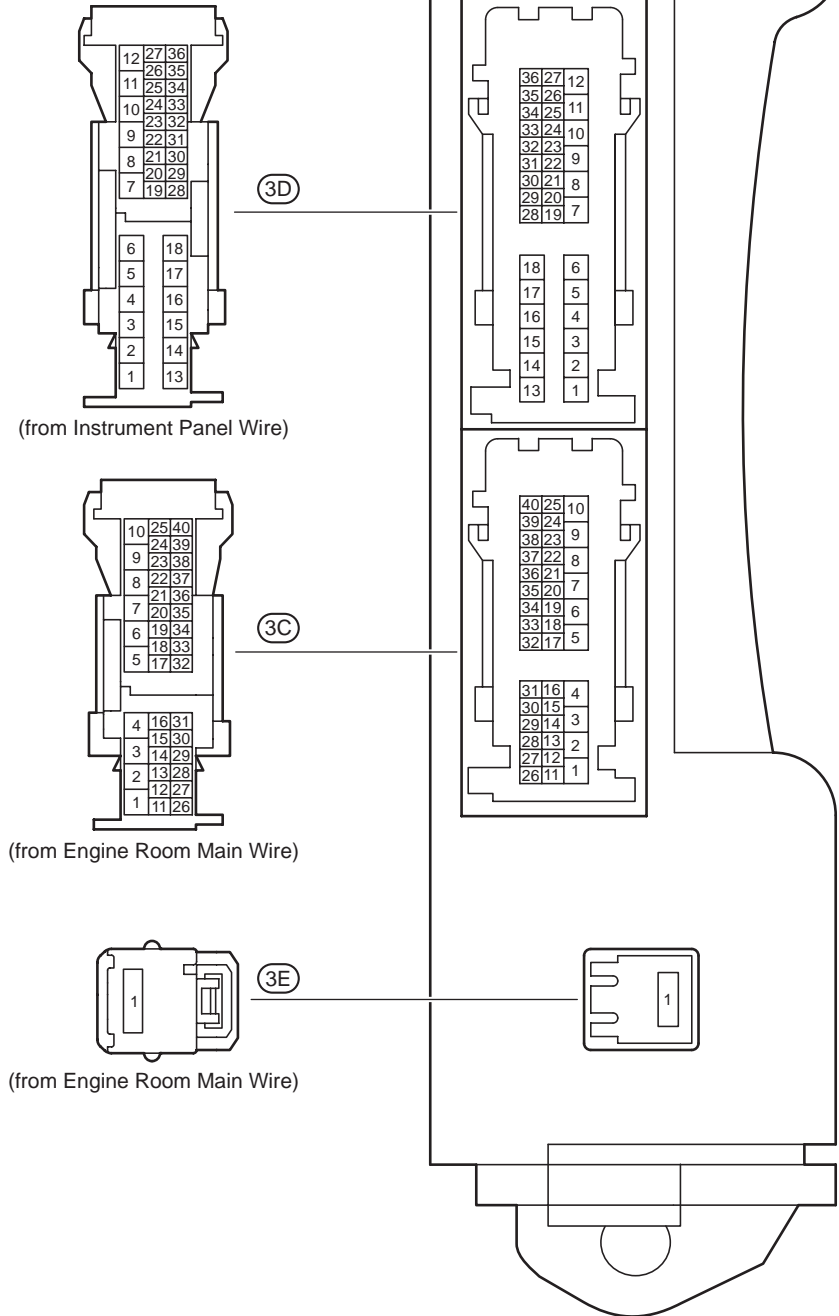


F RELAY LOCATIONS

 : Instrument Panel J/B Assembly **Instrument Panel Reinforcement (See Page 21)**



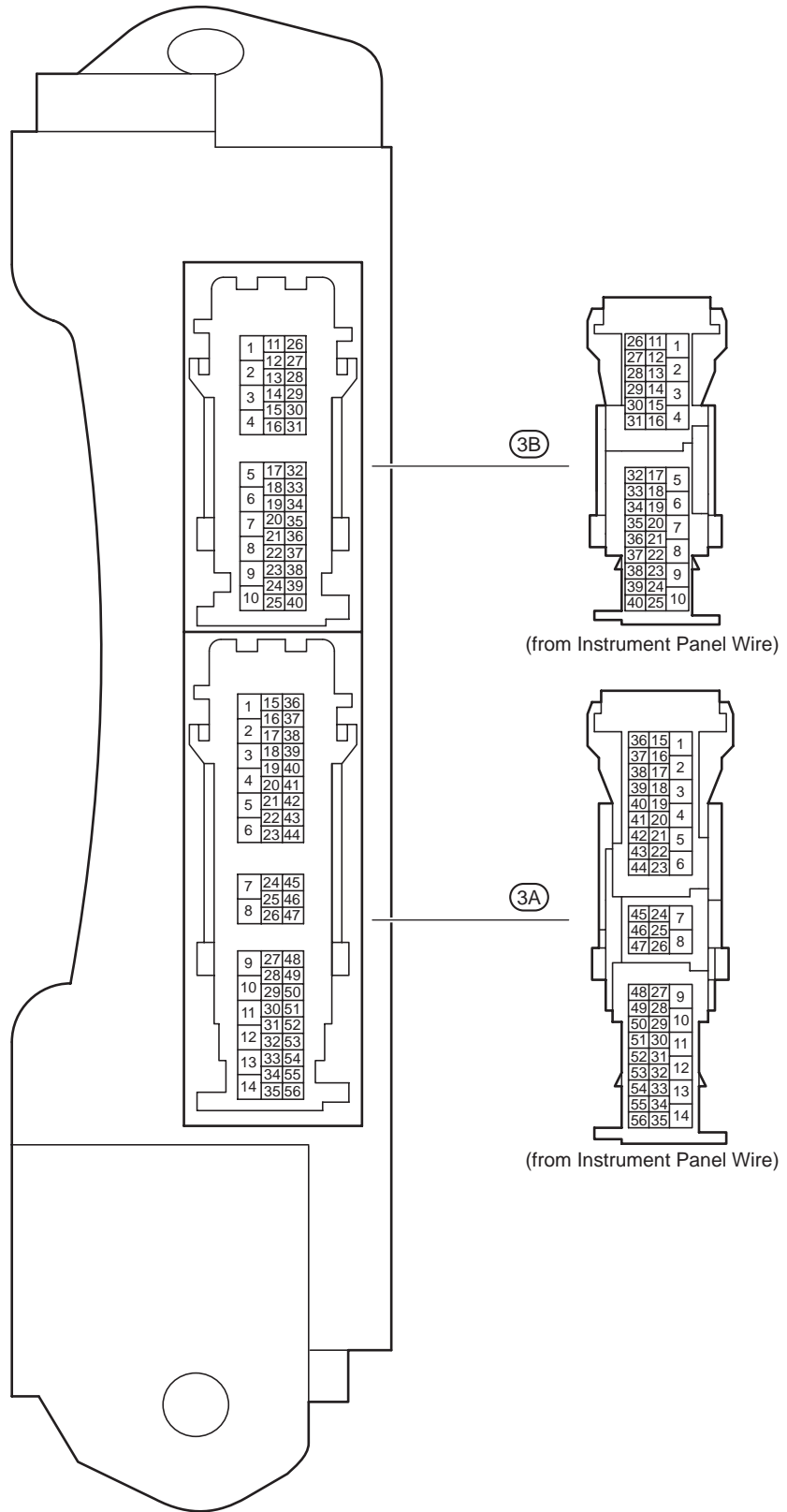
View A



F RELAY LOCATIONS

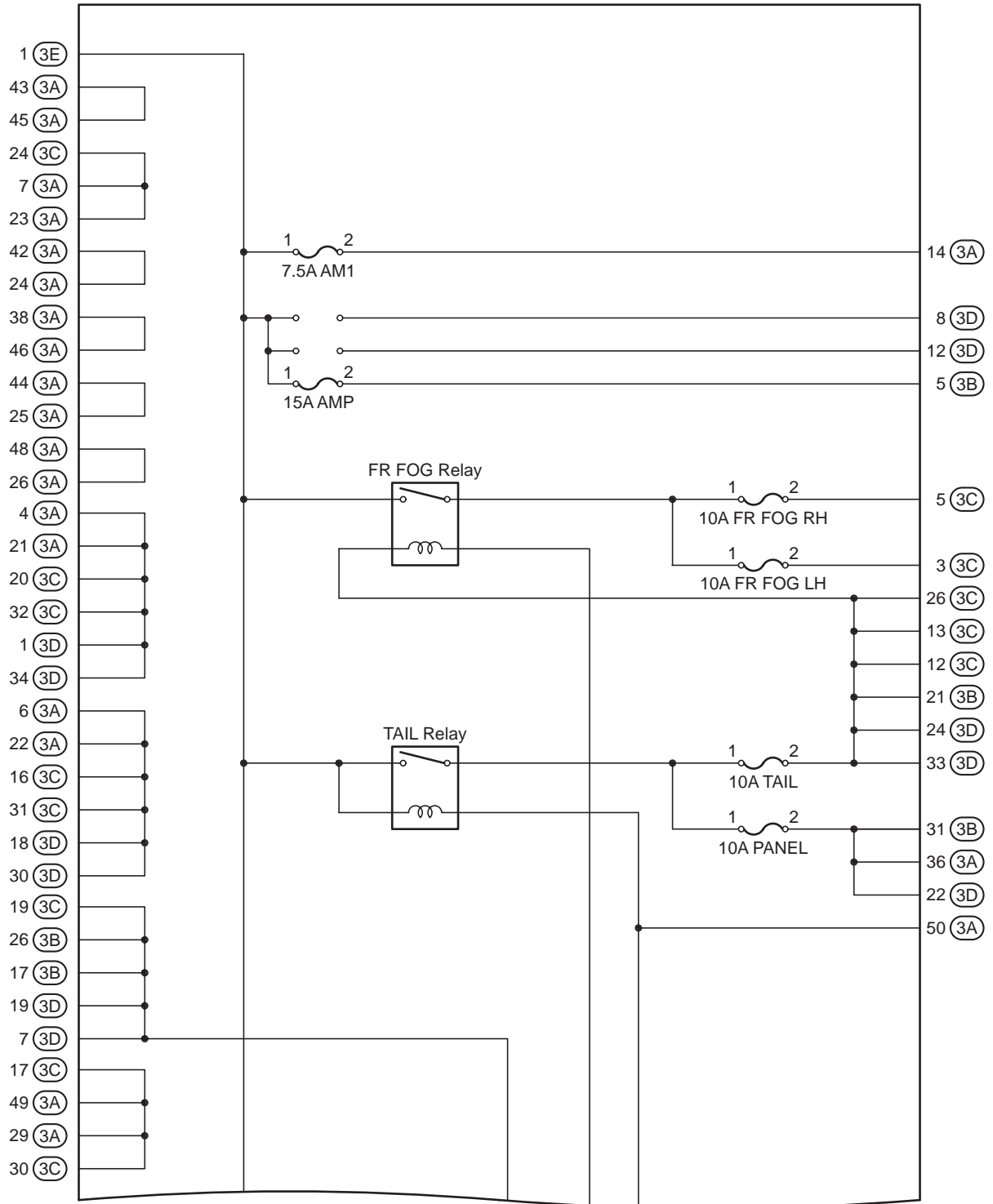
 : Instrument Panel J/B Assembly Instrument Panel Reinforcement (See Page 21)

View B



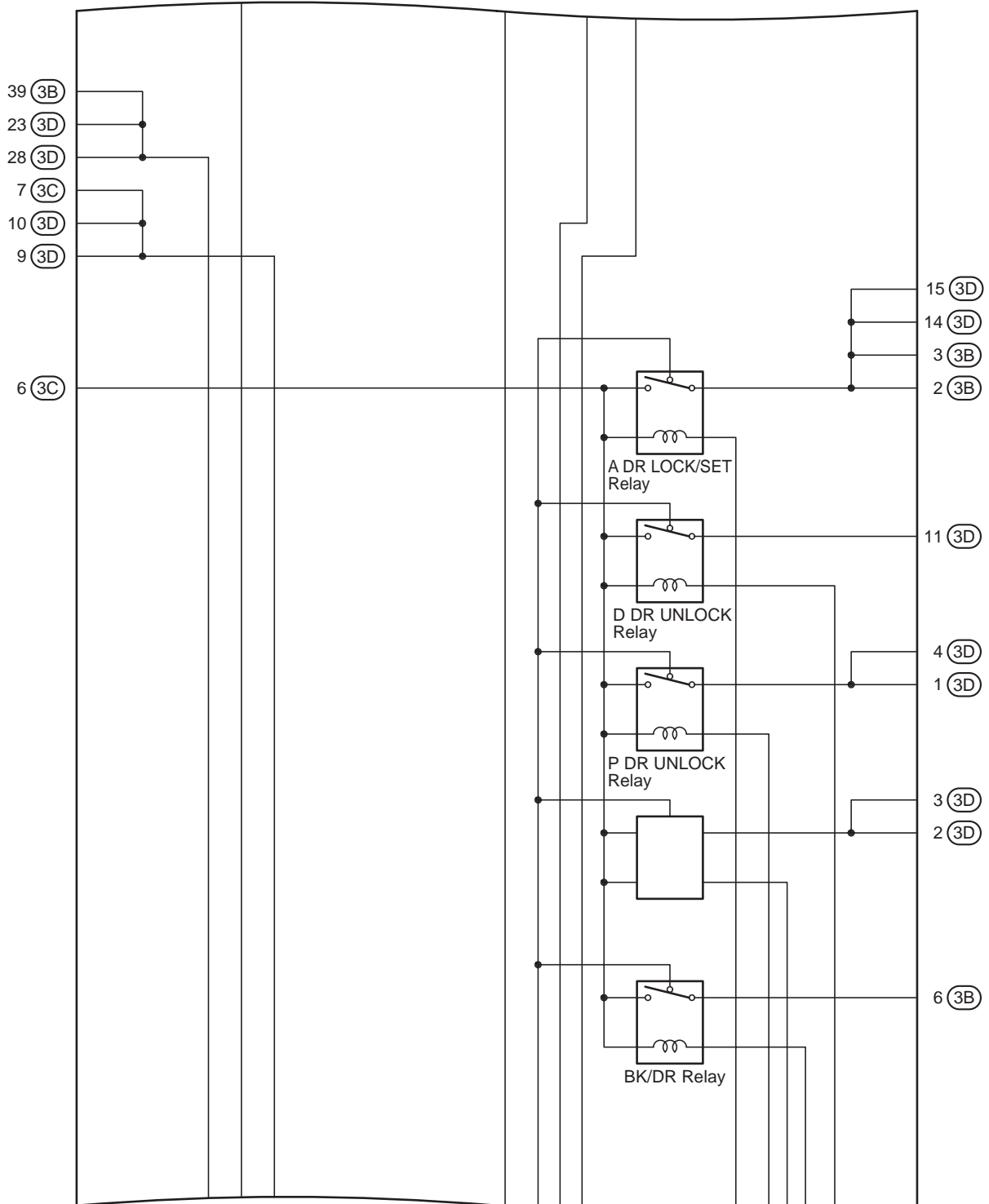
F RELAY LOCATIONS

[Instrument Panel J/B Assembly Inner Circuit]



(Cont. Next Page)

(Cont'd)

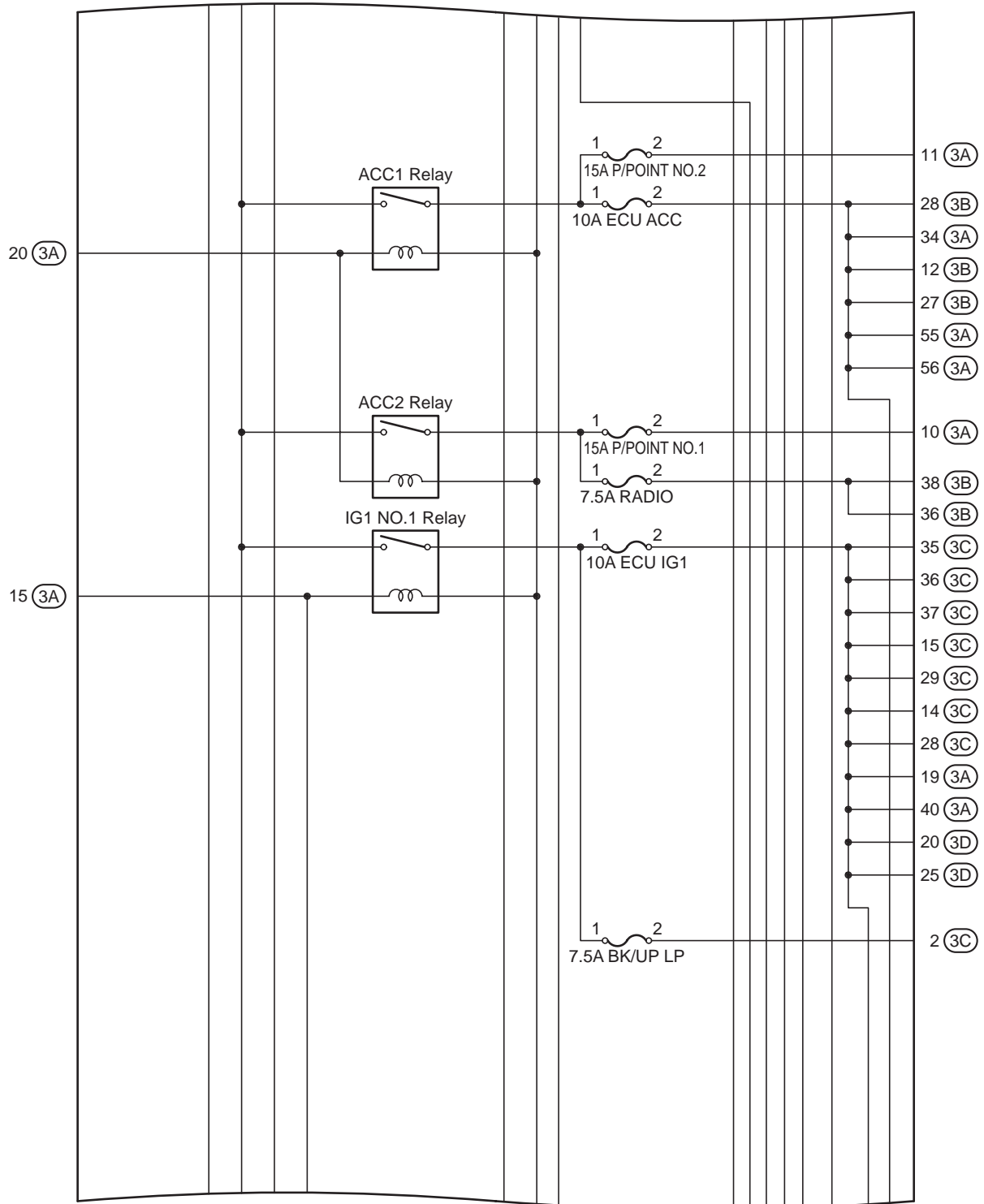


(Cont. Next Page)

F RELAY LOCATIONS

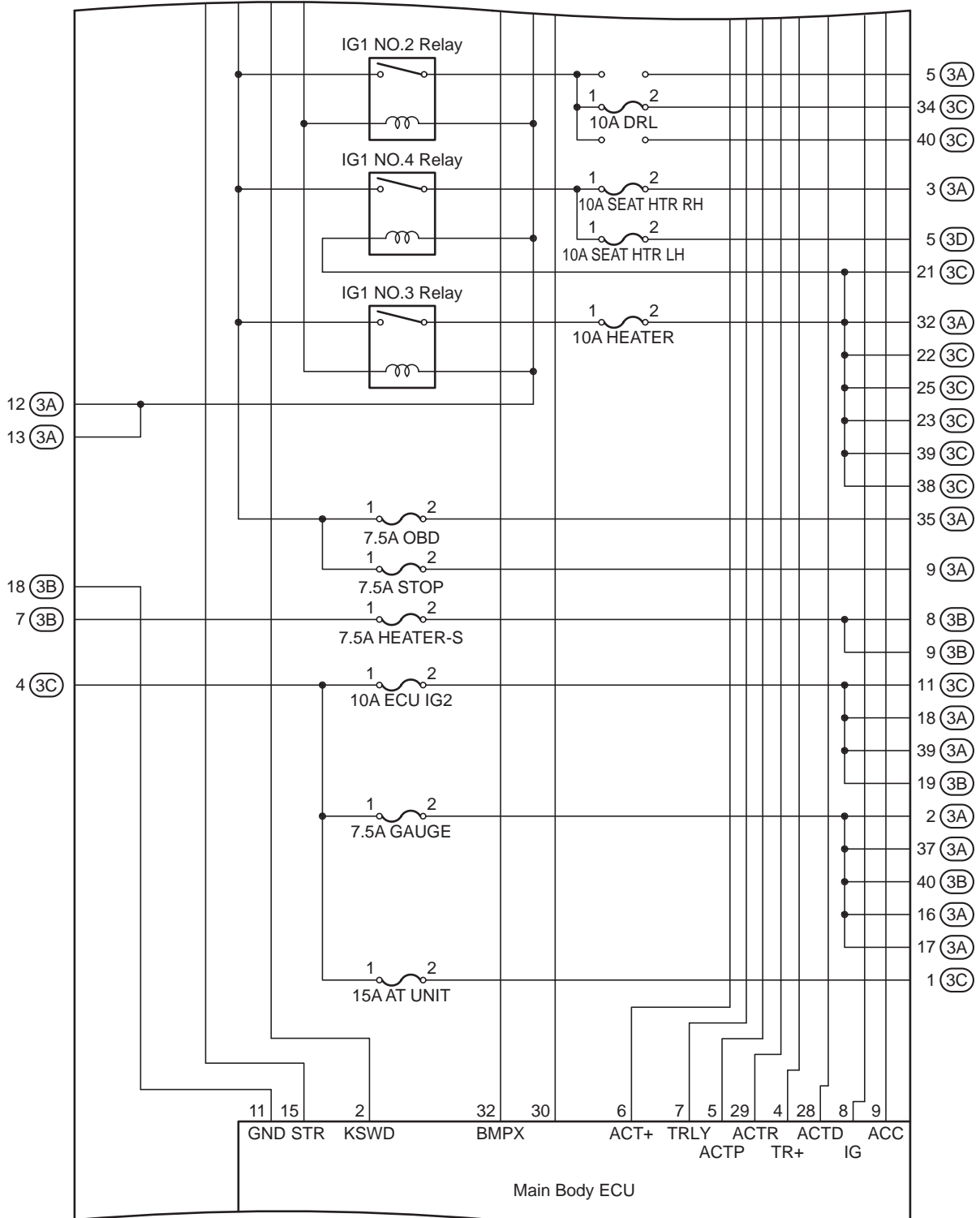
[Instrument Panel J/B Assembly Inner Circuit]

(Cont'd)



(Cont. Next Page)

(Cont'd)

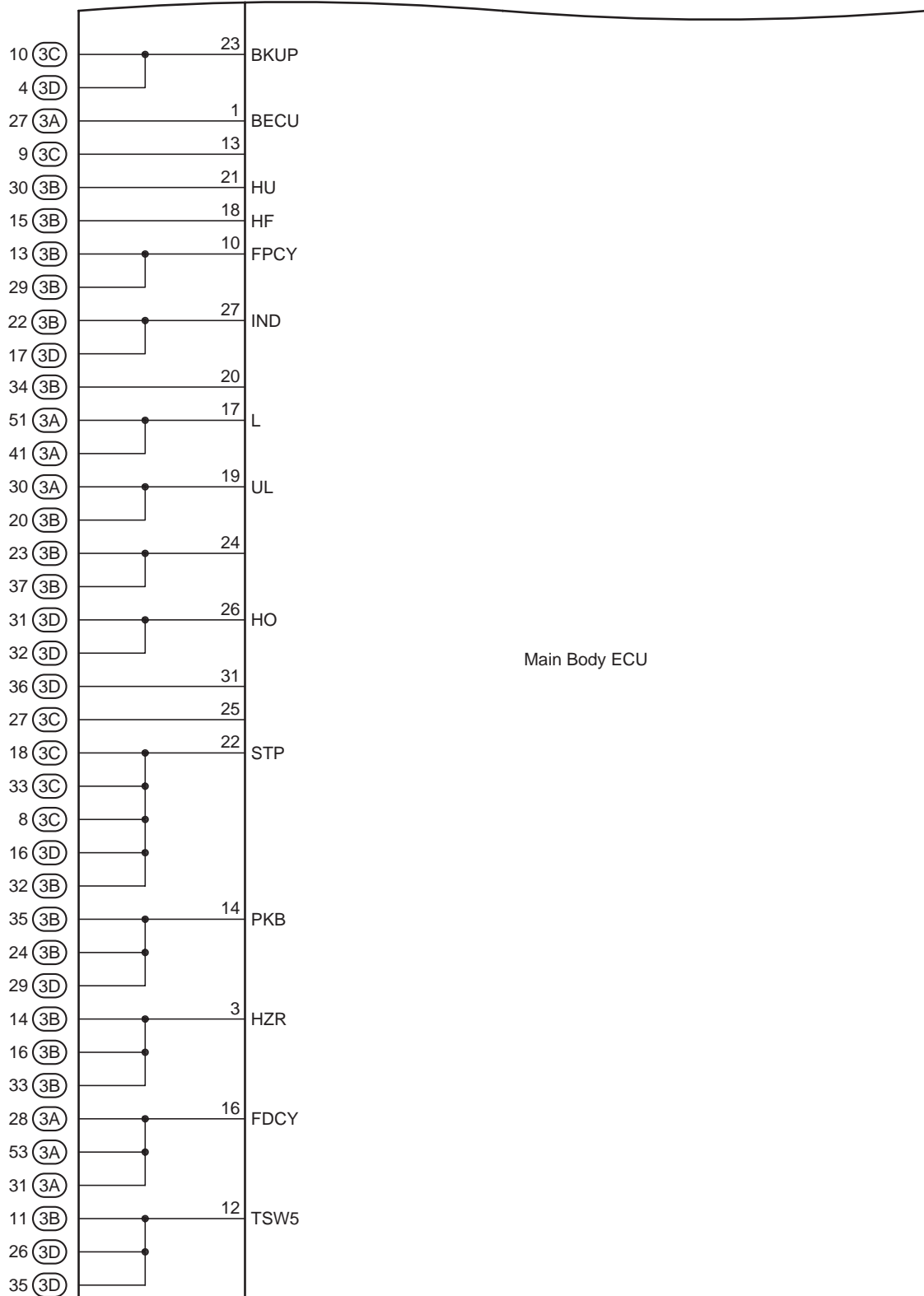


(Cont. Next Page)

F RELAY LOCATIONS

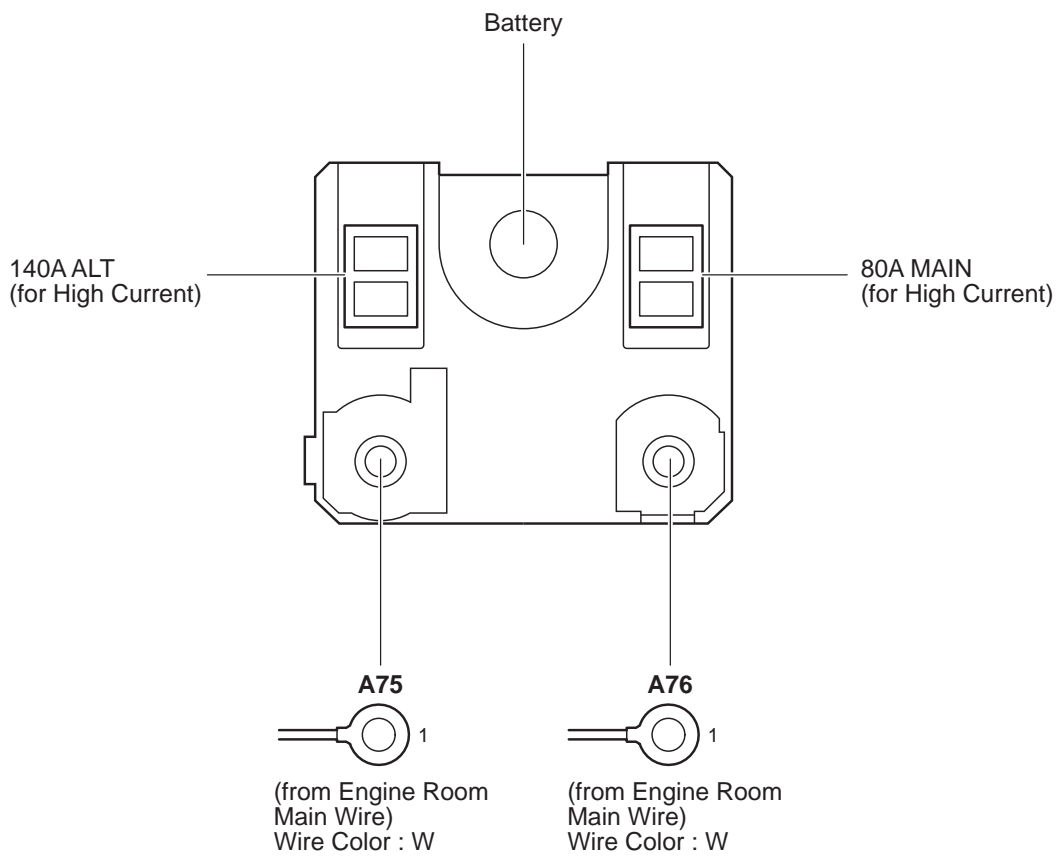
[Instrument Panel J/B Assembly Inner Circuit]

(Cont'd)

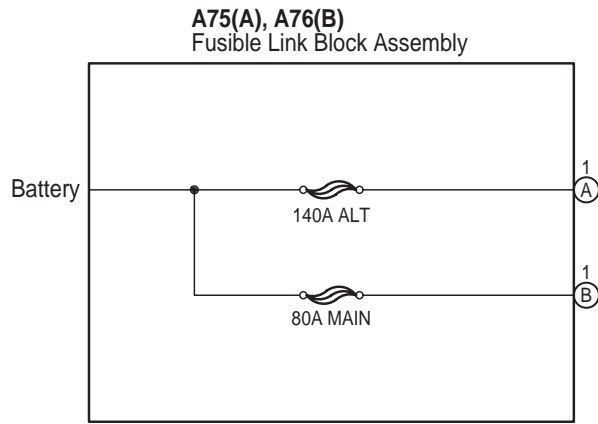


F RELAY LOCATIONS

Fusible Link Block Assembly Engine Compartment Right (See Page 20)

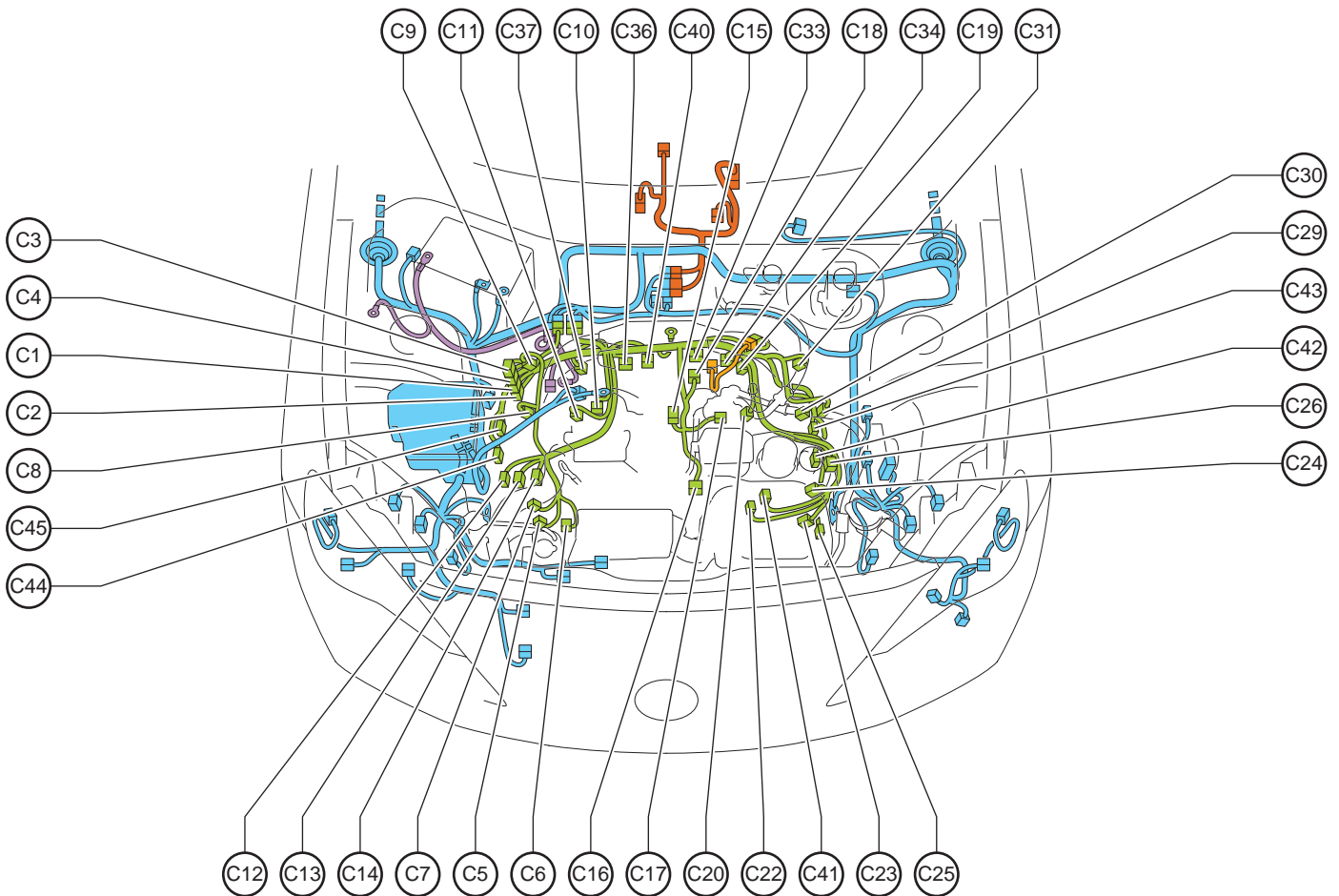


[Fusible Link Block Assembly Inner Circuit]



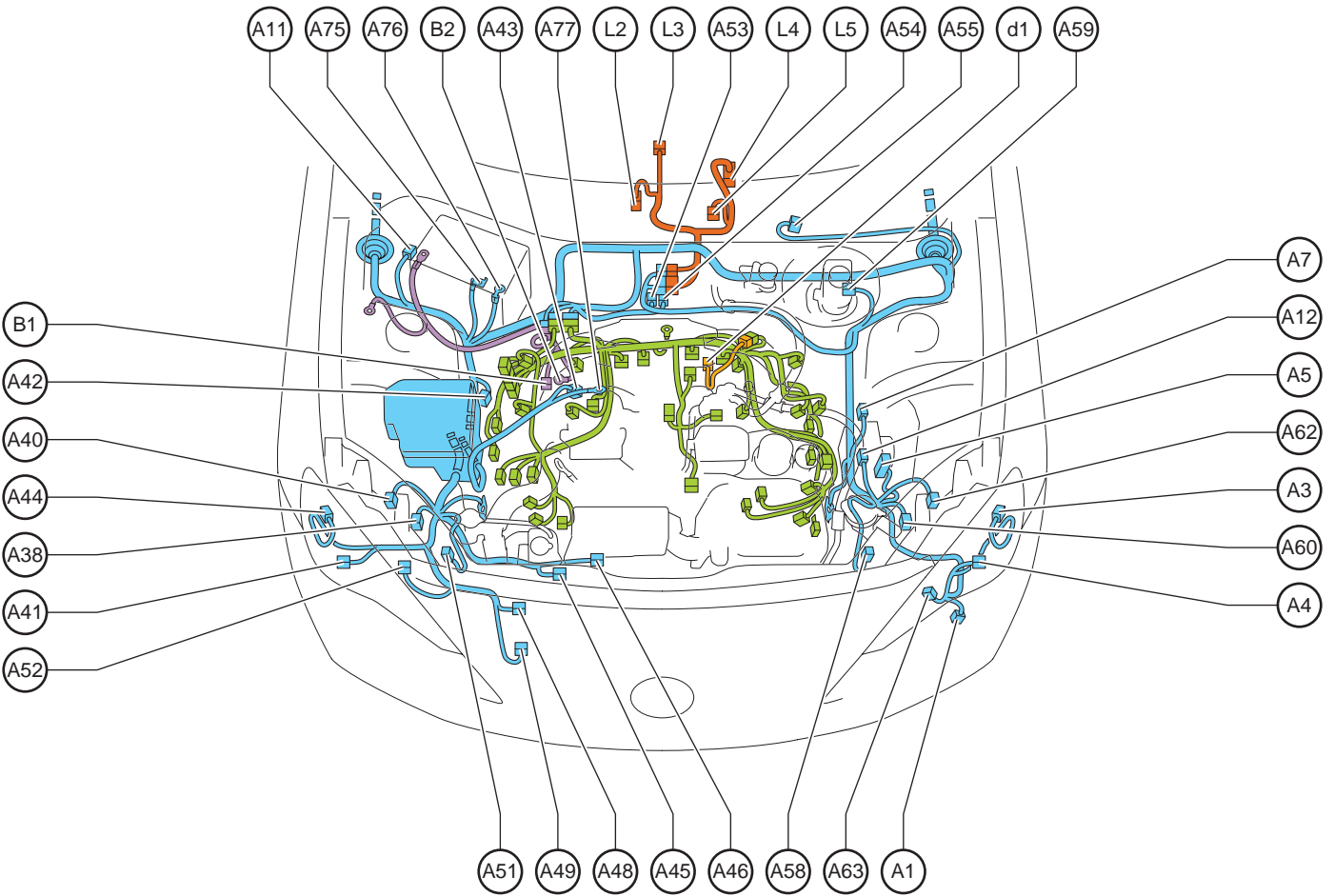
G ELECTRICAL WIRING ROUTING

Position of Parts in Engine Compartment



- | | | | |
|-----|--|-----|--|
| C1 | Injector Driver (EDU) | C20 | Fuel Injector Assembly (for Direct Injection No. 2) |
| C2 | Injector Driver (EDU) | C22 | Engine Oil Pressure Switch Assembly |
| C3 | Injector Driver (EDU) | C23 | Camshaft Timing Oil Control Valve Assembly (Bank 2 Exhaust Side) |
| C4 | Injector Driver (EDU) | C24 | Camshaft Timing Oil Control Valve Assembly (Bank 2 Intake Side) |
| C5 | Camshaft Timing Oil Control Valve Assembly (Bank 1 Exhaust Side) | C25 | VVT Sensor (Camshaft Position Sensor) (Bank 2 Exhaust Side) |
| C6 | VVT Sensor (Camshaft Position Sensor) (Bank 1 Exhaust Side) | C26 | VVT Sensor (Camshaft Position Sensor) (Bank 2 Intake Side) |
| C7 | Camshaft Timing Oil Control Valve Assembly (Bank 1 Intake Side) | C29 | Spill Control Valve (Fuel Pump Assembly) |
| C8 | Fuel Injector Assembly (for Port Injection No. 1) | C30 | Fuel Injector Assembly (for Port Injection No. 2) |
| C9 | Fuel Injector Assembly (for Port Injection No. 3) | C31 | Fuel Injector Assembly (for Port Injection No. 4) |
| C10 | Fuel Pressure Sensor | C33 | Crankshaft Position Sensor |
| C11 | Fuel Injector Assembly (for Direct Injection No. 1) | C34 | Knock Control Sensor (Bank 2) |
| C12 | VVT Sensor (Camshaft Position Sensor) (Bank 1 Intake Side) | C36 | Knock Control Sensor (Bank 1) |
| C13 | Heated Oxygen Sensor (Bank 1 Sensor 2) | C37 | Fuel Injector Assembly (for Direct Injection No. 3) |
| C14 | Wide Range Air Fuel Ratio Sensor (Bank 1 Sensor 1) | C40 | E.F.I. Engine Coolant Temperature Sensor |
| C15 | Throttle Body with Motor Assembly | C41 | Oil Temperature Sensor |
| C16 | Intake Mass Air Flow Meter Sub-Assembly | C42 | Ignition Coil Assembly No. 2 |
| C17 | Compressor with Magnet Clutch | C43 | Ignition Coil Assembly No. 4 |
| C18 | Pressure Sensor | C44 | Ignition Coil Assembly No. 1 |
| C19 | Fuel Injector Assembly (for Direct Injection No. 4) | C45 | Ignition Coil Assembly No. 3 |

Position of Parts in Engine Compartment

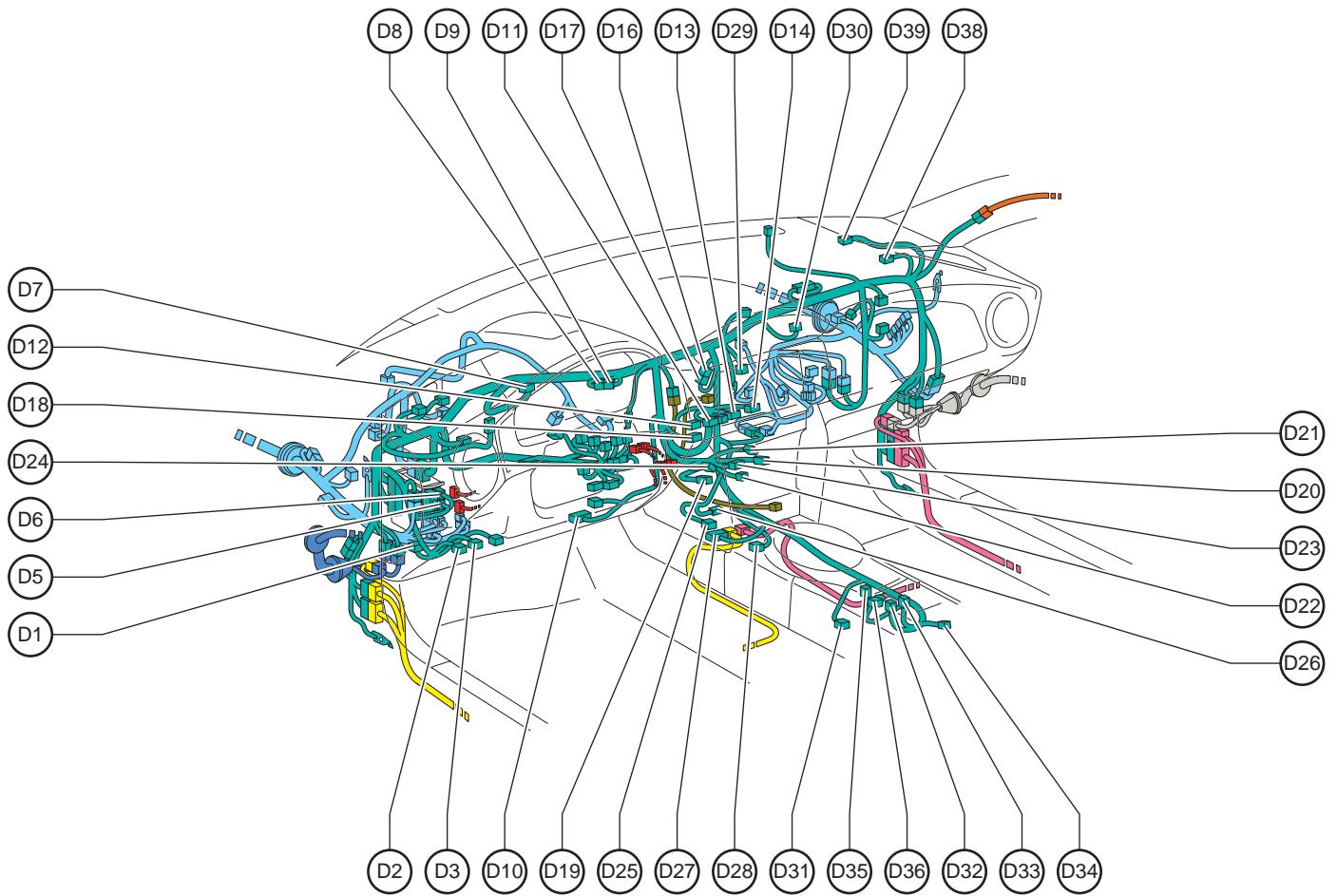


- A1 Windshield Washer Motor and Pump Assembly
- A3 Side Marker Light LH
- A4 Socket Plug Assembly LH
- A5 VSC (VDC) Control Module
- A7 Pressure Switch
- A11 Battery Current Sensor Assembly
- A12 Front Speed Sensor LH
- A38 Headlight Assembly RH
- A40 Headlight Assembly RH
- A41 Socket Plug Assembly RH
- A42 Front Speed Sensor RH
- A43 Generator Assembly
- A44 Side Marker Light RH
- A45 Cooling Fan Motor
- A46 No. 2 Cooling Fan Motor
- A48 Ambient Temperature Sensor (Thermistor Assembly)
- A49 High Pitched Horn Assembly
- A51 Front Sub Sensor RH
- A52 Low Pitched Horn Assembly

- A53 Back-Up Light Switch Assembly
- A54 Park/Neutral Position Switch Assembly
- A55 Front Wiper Motor and Link Assembly
- A58 Front Sub Sensor LH
- A59 Brake Fluid Level Warning Switch (Brake Master Cylinder Sub-Assembly)
- A60 Headlight Assembly LH
- A62 Headlight Assembly LH
- A63 Wireless Door Lock Buzzer
- A75 Fusible Link Block Assembly
- A76 Fusible Link Block Assembly
- A77 Generator Assembly
- B1 Starter Assembly
- B2 Starter Assembly
- L2 Park/Neutral Position Switch Assembly
- L3 Transmission Revolution Sensor (SP2)
- L4 Electronically Controlled Transmission Solenoid
- L5 Transmission Revolution Sensor (NT)
- d1 Purge VSV

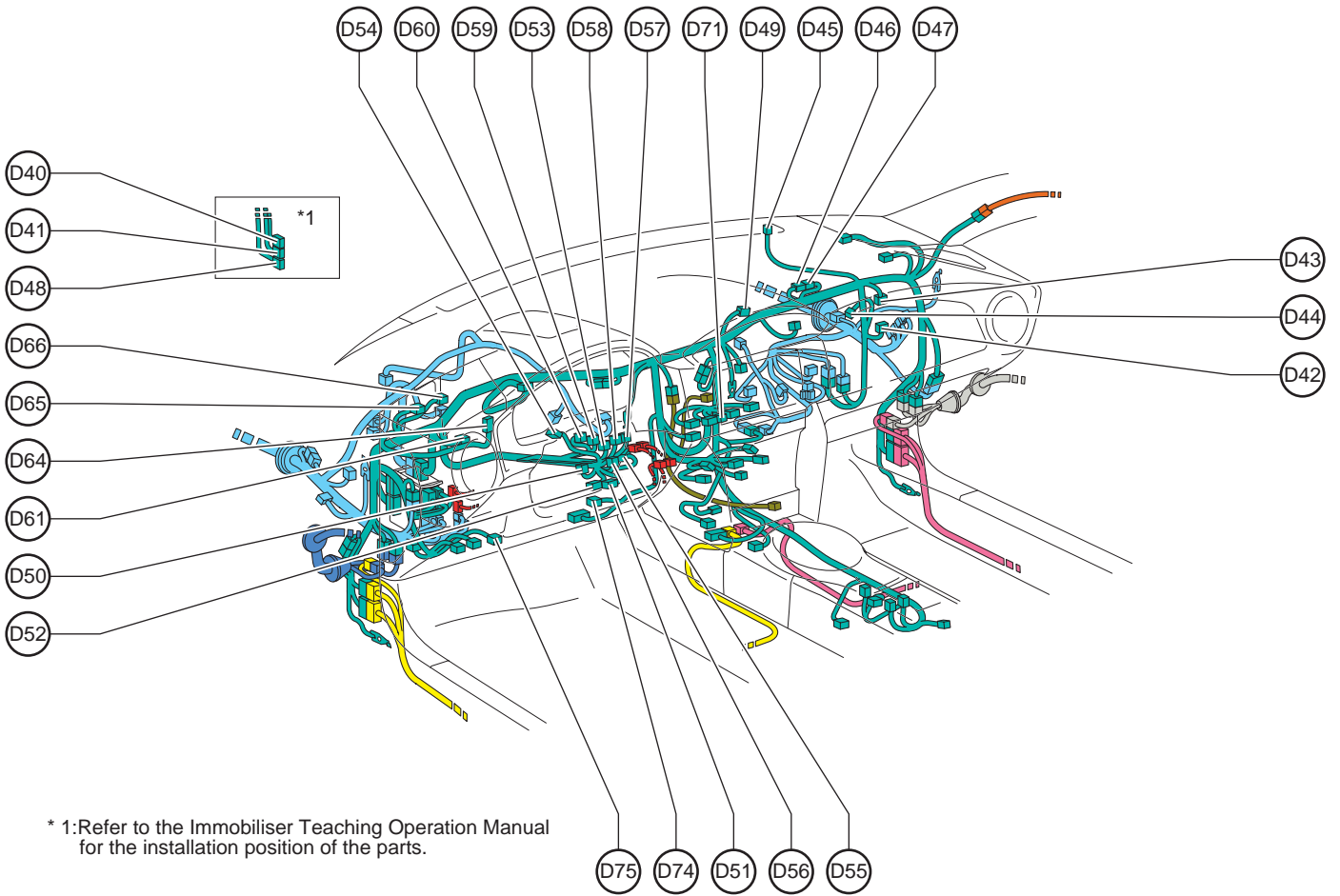
G ELECTRICAL WIRING ROUTING

Position of Parts in Instrument Panel



- | | | | |
|-----|----------------------------|-----|---|
| D1 | Option Connector | D21 | No. 1 Heater Control Sub-Assembly |
| D2 | Light Control Rheostat | D22 | No. 3 Heater Control Sub-Assembly |
| D3 | Headlight Leveling Switch | D23 | No. 3 Heater Control Sub-Assembly |
| D5 | Main Body ECU | D24 | Heater Control Sub-Assembly |
| D6 | Main Body ECU | D25 | Engine Switch |
| D7 | Combination Meter Assembly | D26 | Indoor Electrical Key Oscillator Assembly |
| D8 | Junction Connector | D27 | Airbag Control Module |
| D9 | Junction Connector | D28 | Shift Lever Position Sensor (Floor Shift Control Lever) |
| D10 | DLC3 | D29 | Option Connector |
| D11 | Radio Receiver Assembly | D30 | Passenger's Airbag Module |
| D12 | Radio Receiver Assembly | D31 | Parking Brake Switch Assembly |
| D13 | Radio Receiver Assembly | D32 | Seat Heater Switch LH |
| D14 | Radio Receiver Assembly | D33 | Seat Heater Switch RH |
| D16 | Junction Connector | D34 | No. 2 Power Outlet Socket Assembly |
| D17 | Junction Connector | D35 | Pattern Select Switch Assembly |
| D18 | Clock Assembly | D36 | Shift Position Indicator |
| D19 | A/C Amplifier Assembly | D38 | Front No. 3 Speaker Assembly RH |
| D20 | A/C Amplifier Assembly | D39 | Front No. 2 Speaker Assembly RH |

Position of Parts in Instrument Panel

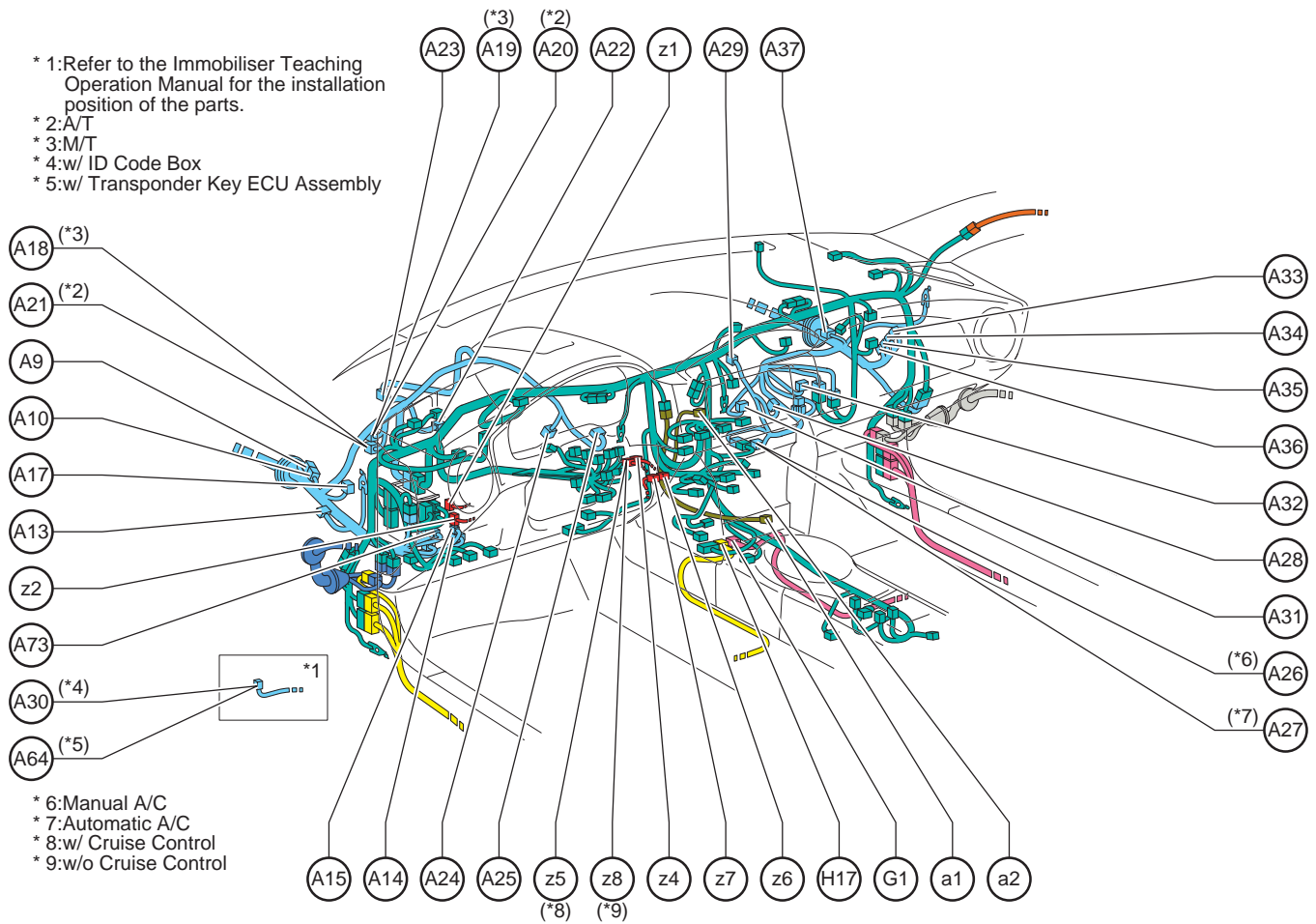


* 1: Refer to the Immobiliser Teaching Operation Manual for the installation position of the parts.

- | | | | |
|-----|---|-----|---|
| D40 | Certification ECU Assembly | D54 | Transponder Key Amplifier |
| D41 | Certification ECU Assembly | D55 | Ignition or Starter Switch Assembly |
| D42 | Control Unit Relay Assembly | D56 | Steering Sensor |
| D43 | Junction Connector | D57 | Windshield Wiper Switch Assembly |
| D44 | No. 1 Power Outlet Socket Assembly | D58 | Windshield Wiper Switch Assembly |
| D45 | Automatic Light Control Sensor | D59 | Steering Lock Actuator Assembly |
| D46 | Junction Connector | D60 | Key Inter Lock Solenoid
(Ignition Switch Lock Cylinder Assembly) |
| D47 | Junction Connector | D61 | Turn Signal Flasher Assembly |
| D48 | Certification ECU Assembly | D64 | Trip Switch |
| D49 | Junction Connector | D65 | Front No. 3 Speaker Assembly LH |
| D50 | Headlight Dimmer Switch Assembly | D66 | Front No. 2 Speaker Assembly LH |
| D51 | Roll Connector | D71 | Antenna Amplifier |
| D52 | Roll Connector | D74 | Cooler Thermistor (Room Temperature Sensor) |
| D53 | Un-Lock Warning Switch Assembly
(Ignition Switch Lock Cylinder Assembly) | D75 | Trunk Opening Switch Assembly |

G ELECTRICAL WIRING ROUTING

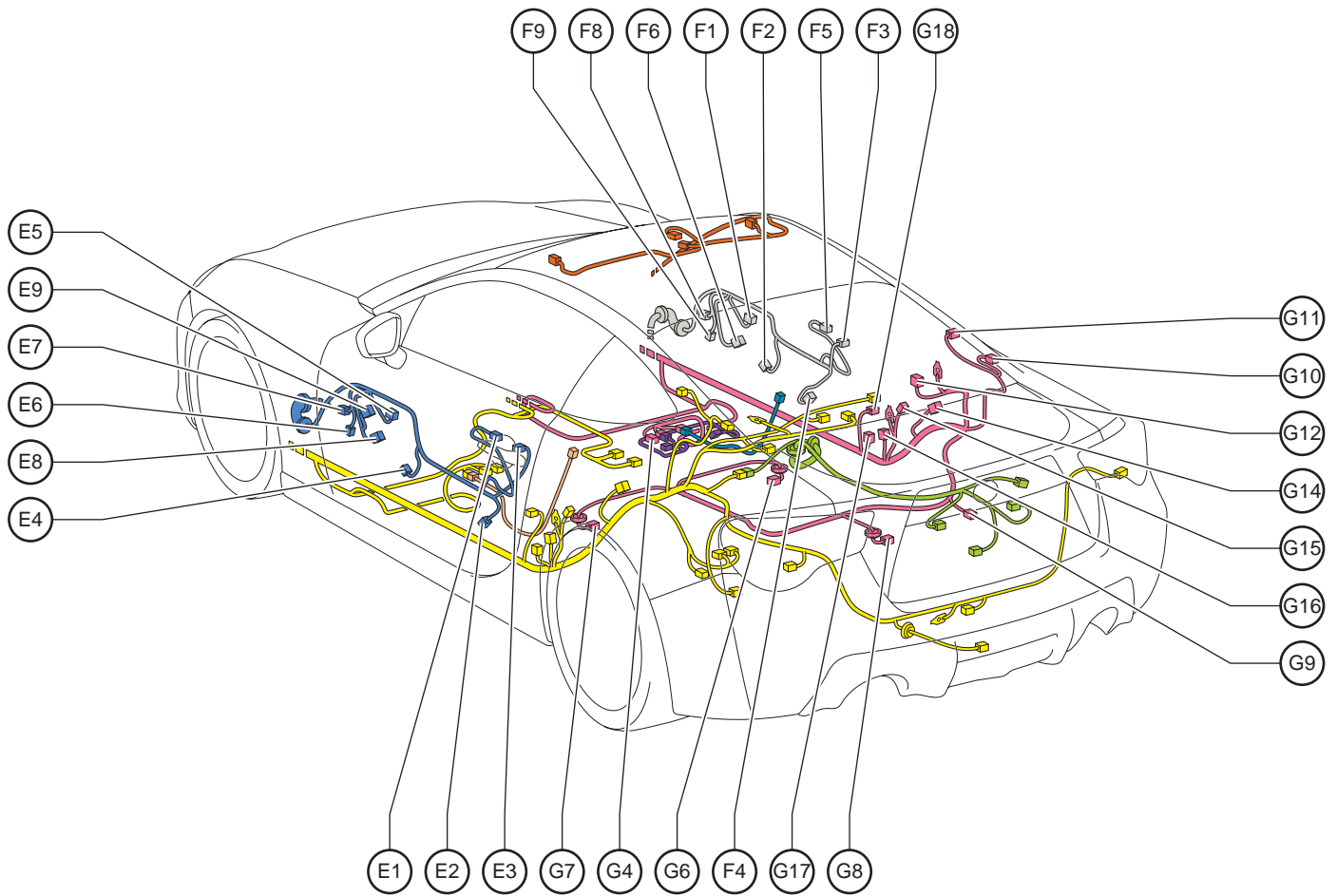
Position of Parts in Instrument Panel



- | | | | |
|-----|--|-----|------------------------------------|
| A9 | Junction Connector | A64 | Transponder Key ECU Assembly |
| A10 | Junction Connector | A73 | Main Body ECU |
| A13 | Noise Filter | G1 | Airbag Control Module |
| A14 | Power Steering ECU Assembly | H17 | Airbag Control Module |
| A15 | Power Steering ECU Assembly | a1 | No. 1 Stereo Jack Adapter Assembly |
| A17 | Junction Connector | a2 | Radio Receiver Assembly |
| A18 | Transmission Control Module | z1 | Power Steering ECU Assembly |
| A19 | Transmission Control Module | z2 | Power Steering ECU Assembly |
| A20 | Clutch Start Switch Assembly | z4 | Roll Connector |
| A21 | Clutch Switch Assembly | z5 | Roll Connector |
| A22 | Stop Light Switch Assembly | z6 | Roll Connector |
| A23 | Accelerator Pedal Sensor Assembly | z7 | Roll Connector |
| A24 | No. 5 A/C Radiator Damper Servo Sub-Assembly | z8 | Roll Connector |
| A25 | No. 1 Cooler Thermistor (Evaporator Thermistor Sensor) | | Horn Button Assembly |
| A26 | Blower Resistor | | |
| A27 | Blower Assembly | | |
| A28 | No. 4 A/C Radiator Damper Servo Sub-Assembly | | |
| A29 | No. 3 A/C Radiator Damper Servo Sub-Assembly | | |
| A30 | ID Code Box | | |
| A31 | Blower with Fan Motor Sub-Assembly | | |
| A32 | No. 1 Blower Damper Servo Sub-Assembly | | |
| A33 | ECM | | |
| A34 | ECM | | |
| A35 | ECM | | |
| A36 | ECM | | |
| A37 | Junction Connector | | |

G ELECTRICAL WIRING ROUTING

Position of Parts in Body

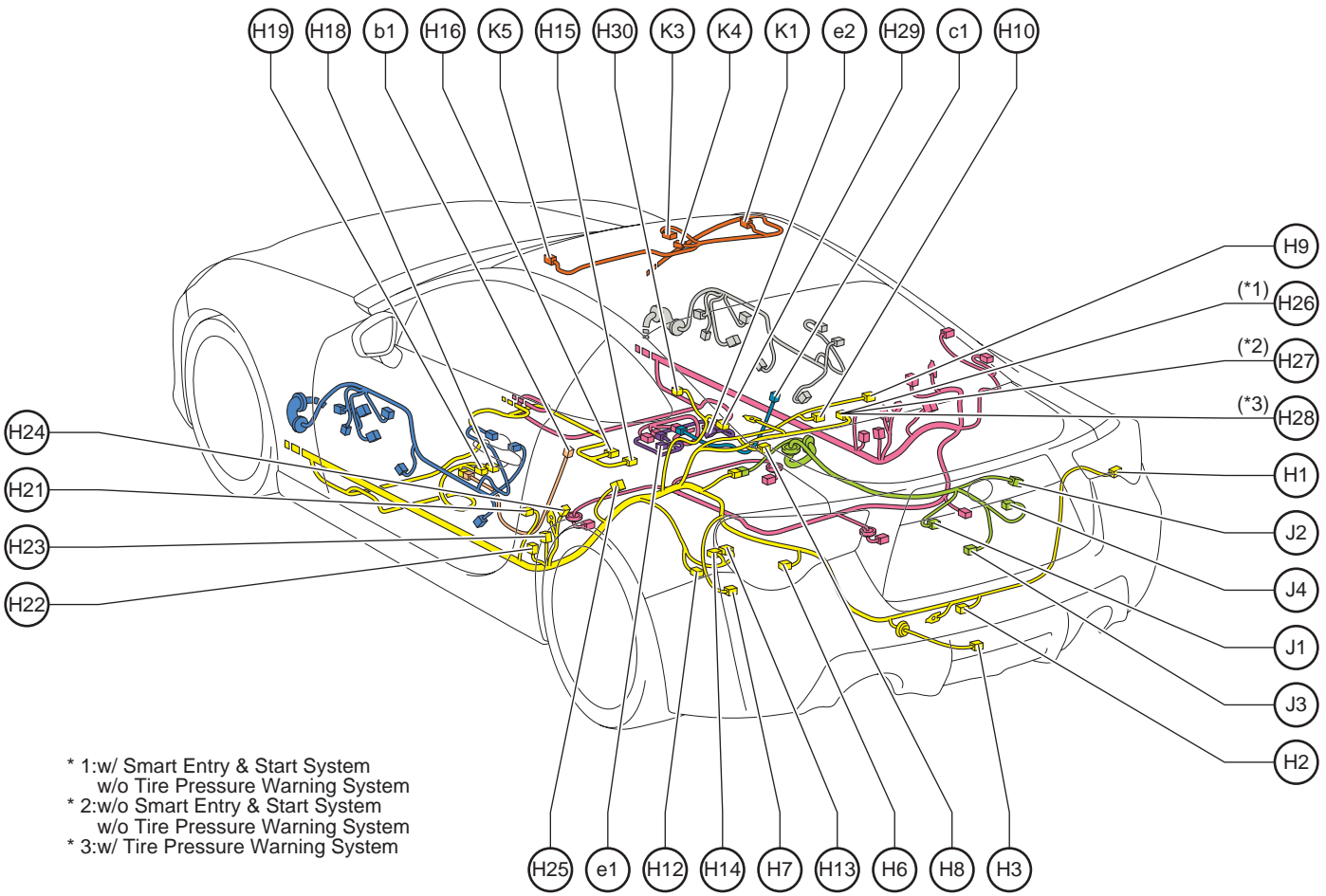


- E1 Electrical Key Antenna LH
(Front Door Outside Handle Assembly LH)
- E2 Front Courtesy Light Assembly LH
- E3 Door Lock with Motor Assembly LH
- E4 Front Door Impact Sensor LH
- E5 Power Window Regulator Motor Assembly LH
- E6 Front No. 1 Speaker Assembly LH
- E7 Outer Rear View Mirror Assembly LH
- E8 Power Window Regulator Master Switch Assembly
- E9 Outer Mirror Switch Assembly

- F1 Power Window Regulator Motor Assembly RH
- F2 Front Door Impact Sensor RH
- F3 Door Lock with Motor Assembly RH
- F4 Front Courtesy Light Assembly RH
- F5 Electrical Key Antenna RH
(Front Door Outside Handle Assembly RH)
- F6 Power Window Regulator Switch Assembly
- F8 Outer Rear View Mirror Assembly RH
- F9 Front No. 1 Speaker Assembly RH

- G4 Seat Heater RH
- G6 No. 2 Fuel Sender Gage Assembly
- G7 Fuel Sender Gage Assembly
- G8 Canister Pump Module
- G9 Rear Speed Sensor RH
- G10 Rear Window Defogger (Back Window Glass)
- G11 Curtain Airbag Module RH
- G12 Fuel Pump Control ECU Assembly
- G14 Curtain Airbag Sensor RH
- G15 Rear Speaker Assembly RH
- G16 Side Airbag Sensor RH
- G17 Pretensioner RH
- G18 Front Door Courtesy Light Switch Assembly RH

Position of Parts in Body

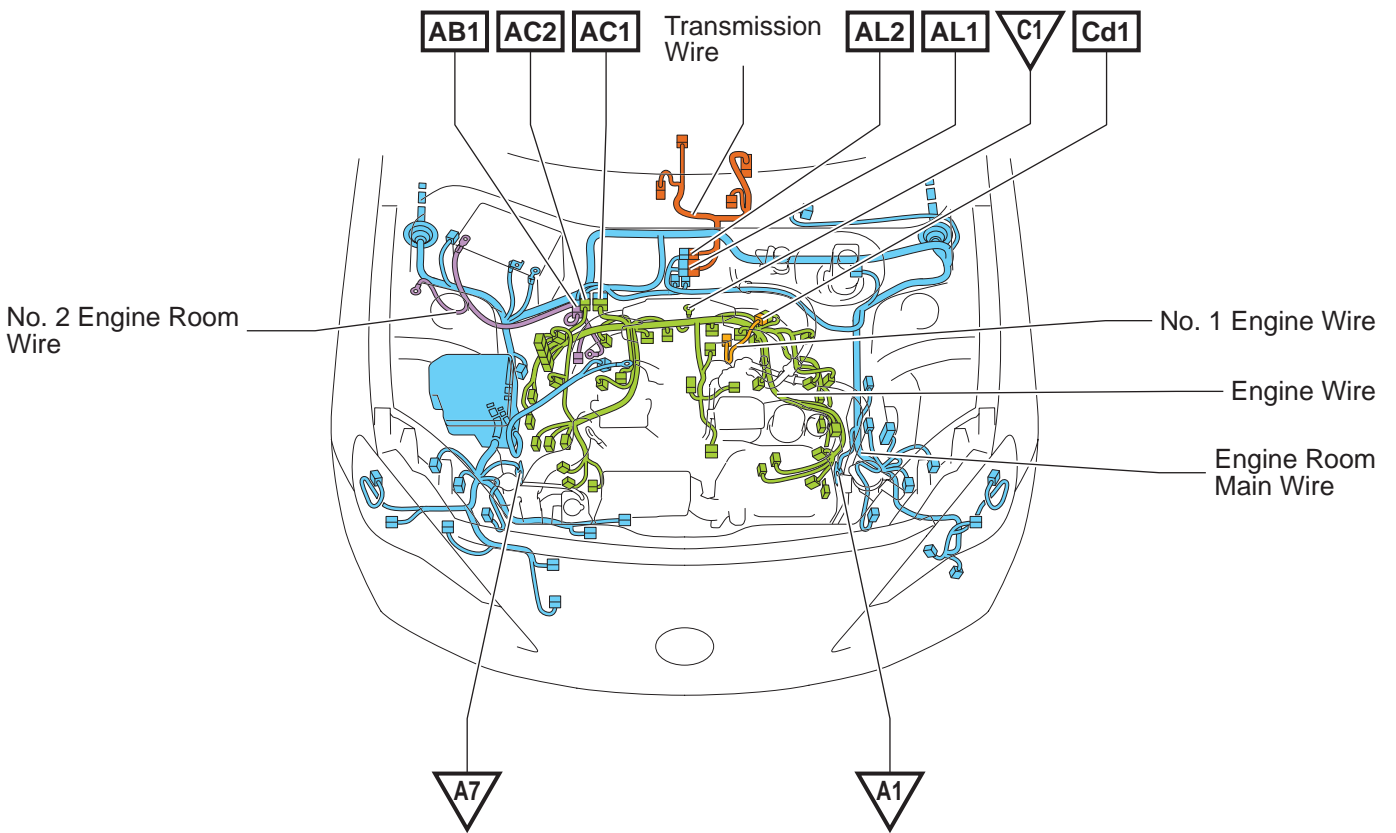


- | | | | |
|-----|--|----|--|
| H1 | Rear Combination Light Lens and Body RH | J1 | License Plate Light Lens LH |
| H2 | Back-Up Light Lens and Body | J2 | Trunk Opener Switch Assembly |
| H3 | Rear Electrical Key Antenna | J3 | Trunk Lock Assembly |
| H6 | Rear Combination Light Lens and Body LH | J4 | License Plate Light Lens RH |
| H7 | Trunk Opening Cancel Switch Assembly | K1 | Vanity Light Assembly RH (Visor Assembly RH) |
| H8 | No. 1 Trunk Light Assembly | K3 | Map Light Assembly |
| H9 | No. 3 Indoor Electrical Key Oscillator Assembly | K4 | Microphone Amplifier Assembly (Map Light Assembly) |
| H10 | Center Stop Light Assembly | K5 | Vanity Light Assembly LH (Visor Assembly LH) |
| H12 | Rear Speed Sensor LH | b1 | Side Airbag Module LH |
| H13 | Stereo Component Amplifier Assembly | c1 | Side Airbag Module RH |
| H14 | Stereo Component Amplifier Assembly | e1 | Front Seat Inner Belt Assembly RH |
| H15 | No. 2 Indoor Electrical Key Oscillator Assembly | e2 | Occupant Detection Control Module |
| H16 | Satellite Safing Sensor | | |
| H18 | Seat Heater LH | | |
| H19 | Front Seat Inner Belt Assembly LH | | |
| H21 | Front Door Courtesy Light Switch Assembly LH | | |
| H22 | Pretensioner LH | | |
| H23 | Side Airbag Sensor LH | | |
| H24 | Rear Speaker Assembly LH | | |
| H25 | Curtain Airbag Sensor LH | | |
| H26 | Door Control Receiver | | |
| H27 | Door Control Receiver | | |
| H28 | Tire Pressure Warning ECU and Receiver
(Door Control and Tire Pressure Monitoring System Receiver Assembly) | | |
| H29 | Rear Window Defogger (Back Window Glass) | | |
| H30 | Curtain Airbag Module LH | | |

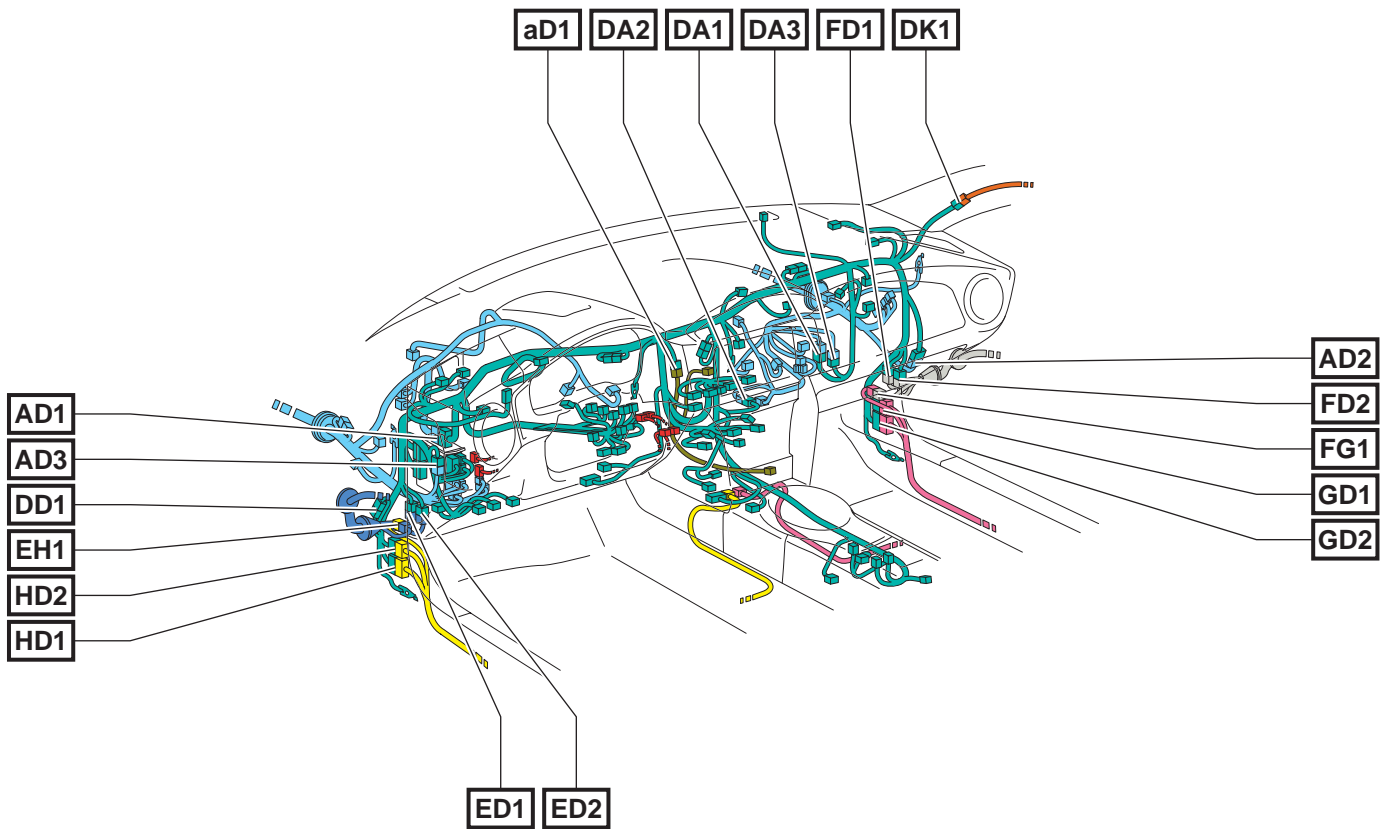
G ELECTRICAL WIRING ROUTING

□ : Location of Connector Joining Wire Harness and Wire Harness

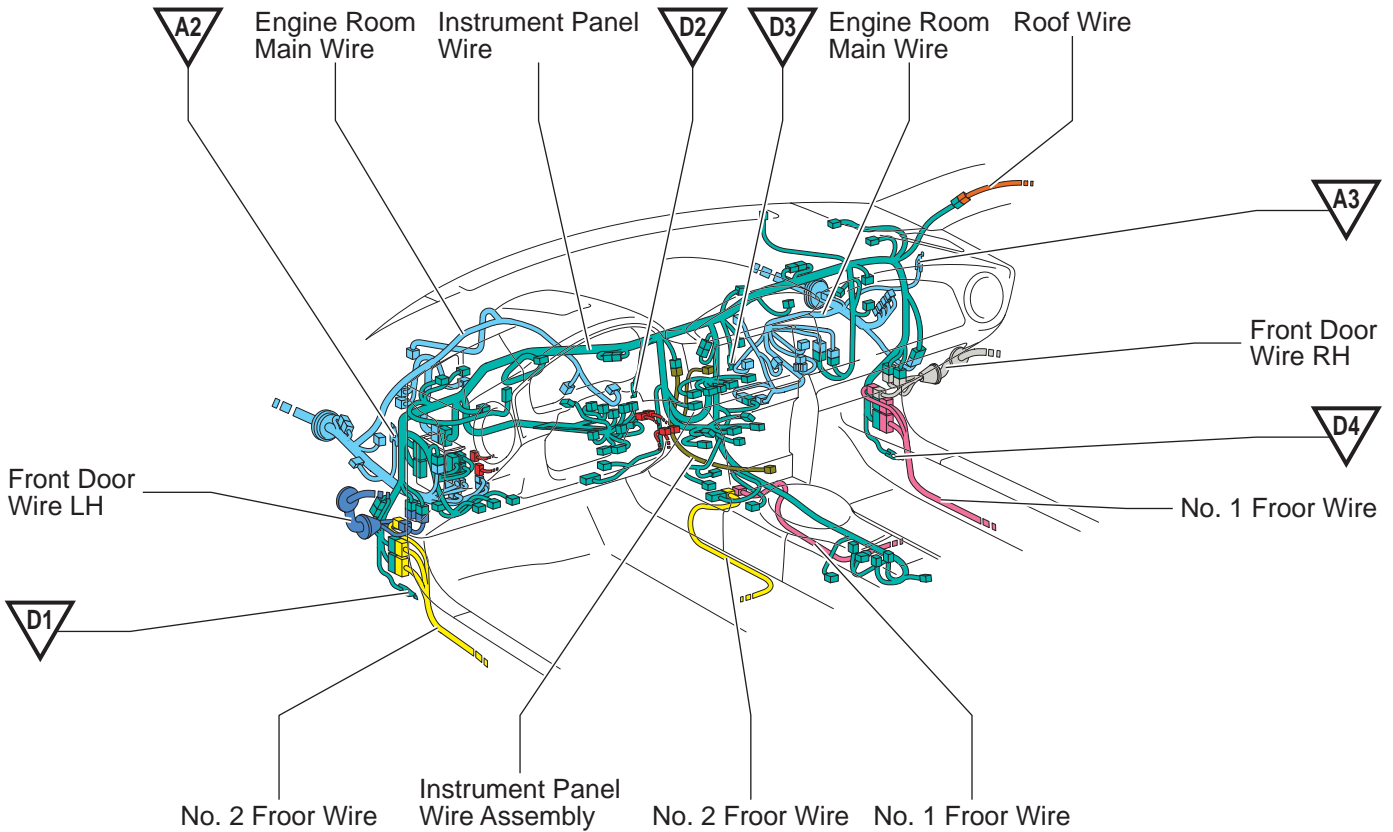
▽ : Location of Ground Points



□ : Location of Connector Joining Wire Harness and Wire Harness



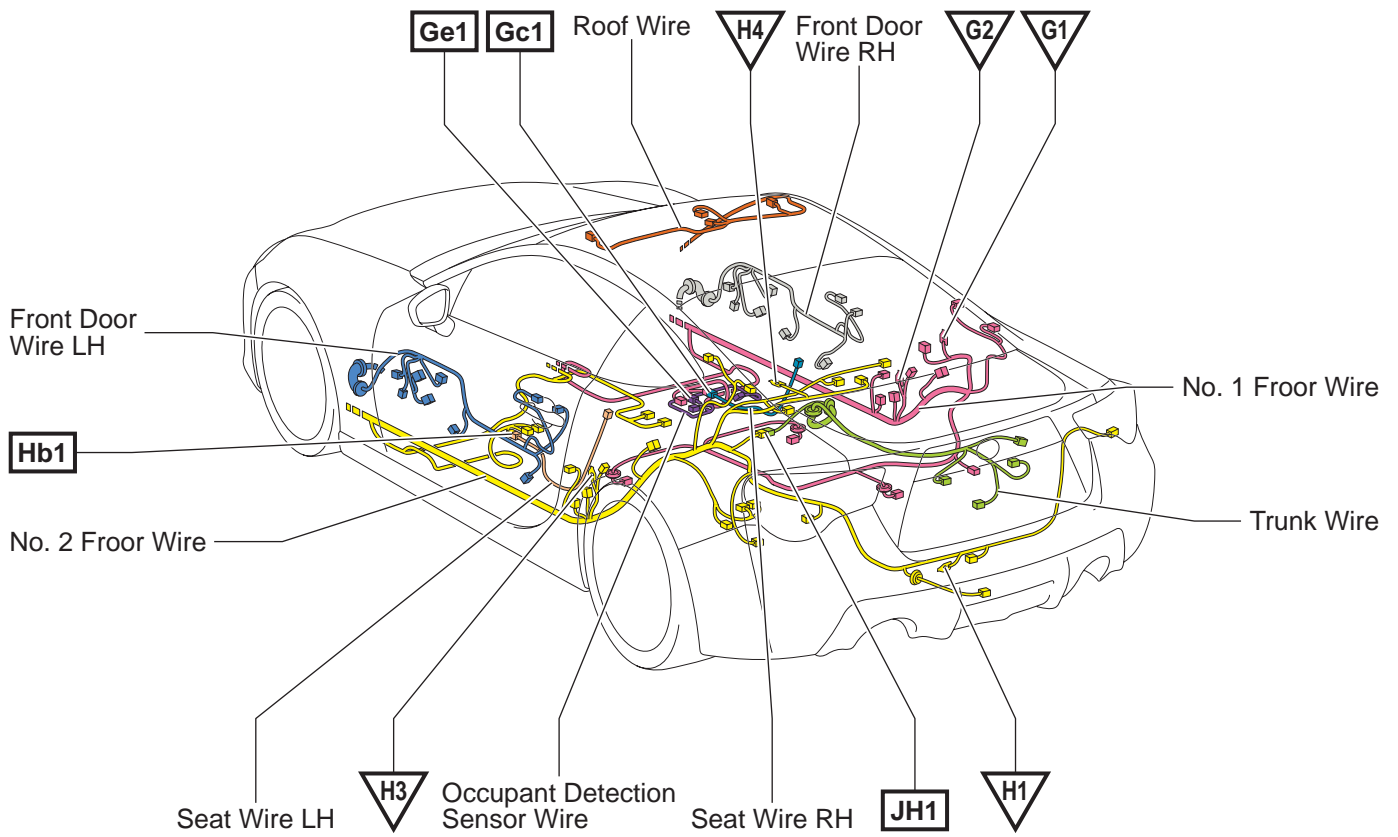
▽ : Location of Ground Points



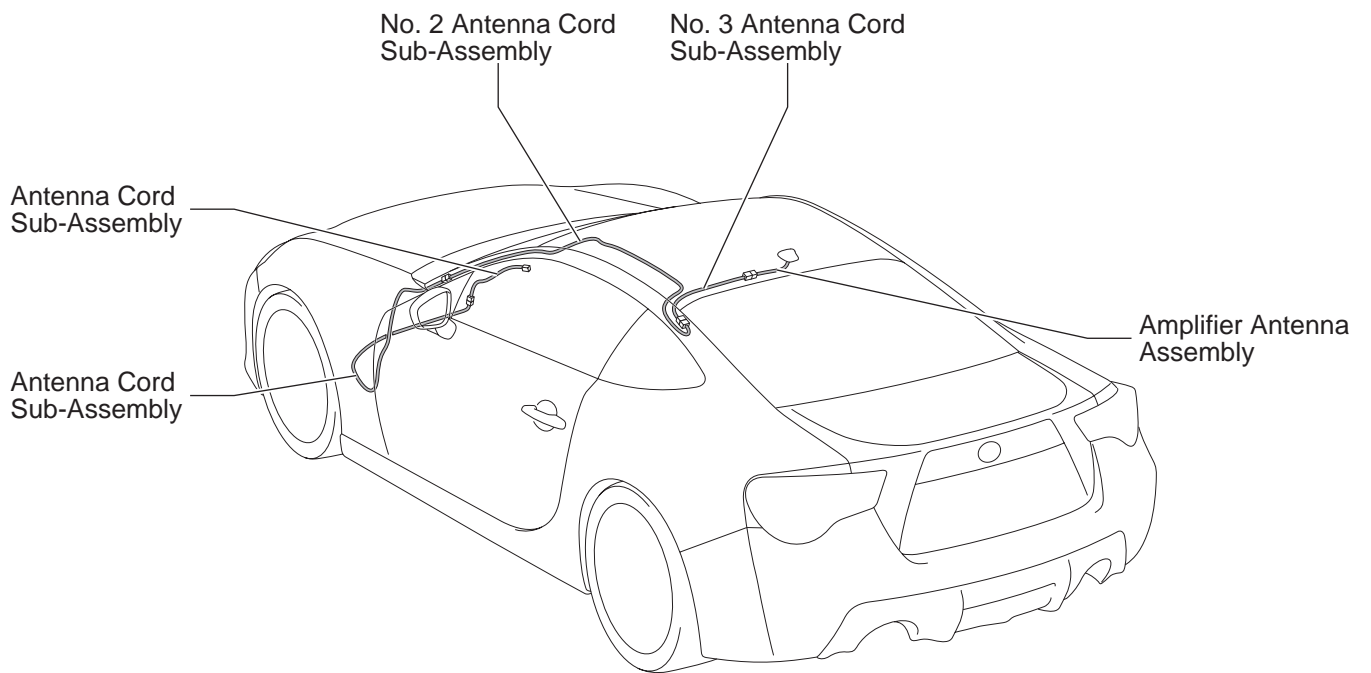
G ELECTRICAL WIRING ROUTING

□ : Location of Connector Joining Wire Harness and Wire Harness

▽ : Location of Ground Points



[Antenna]



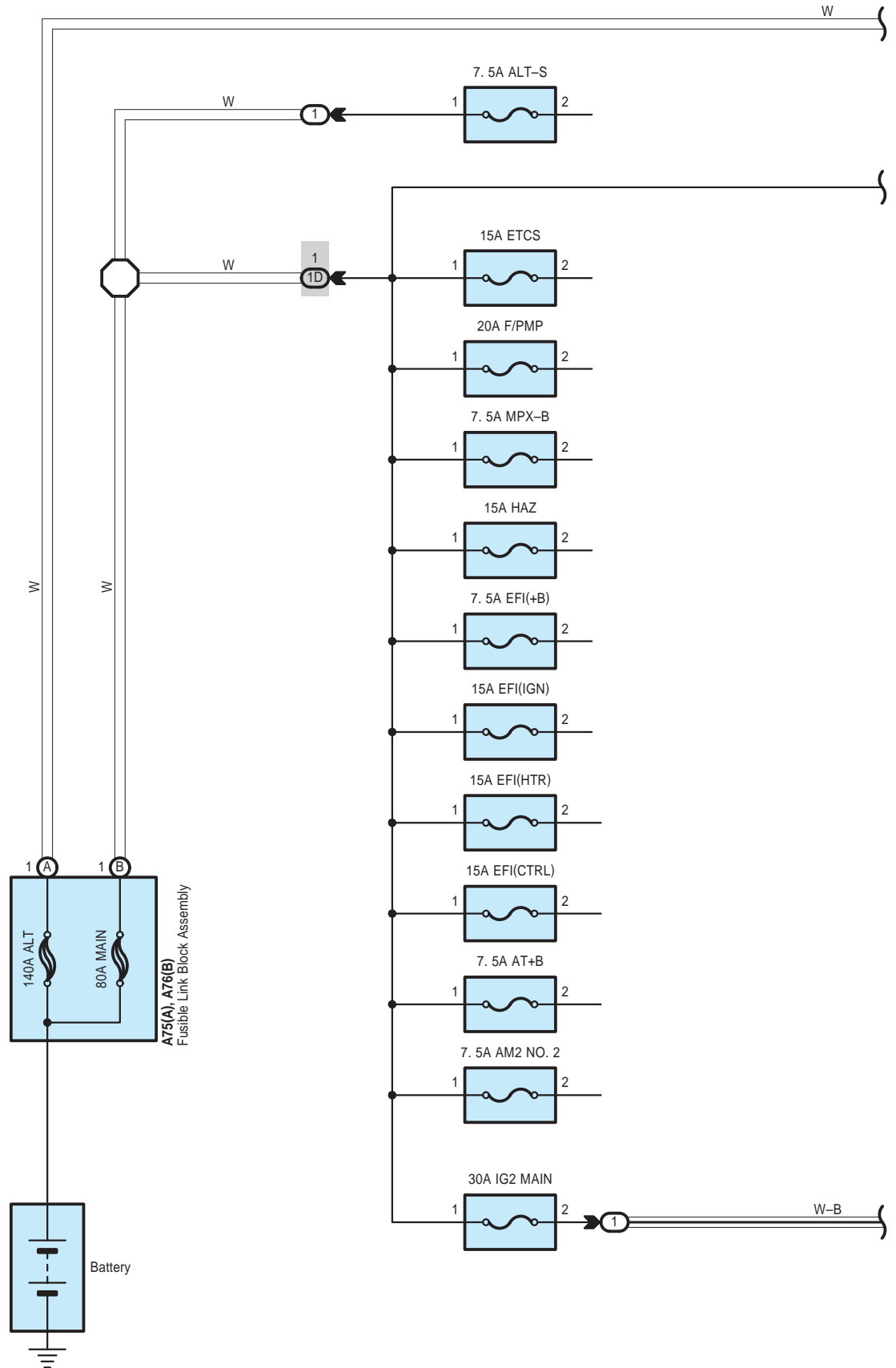
BRZ

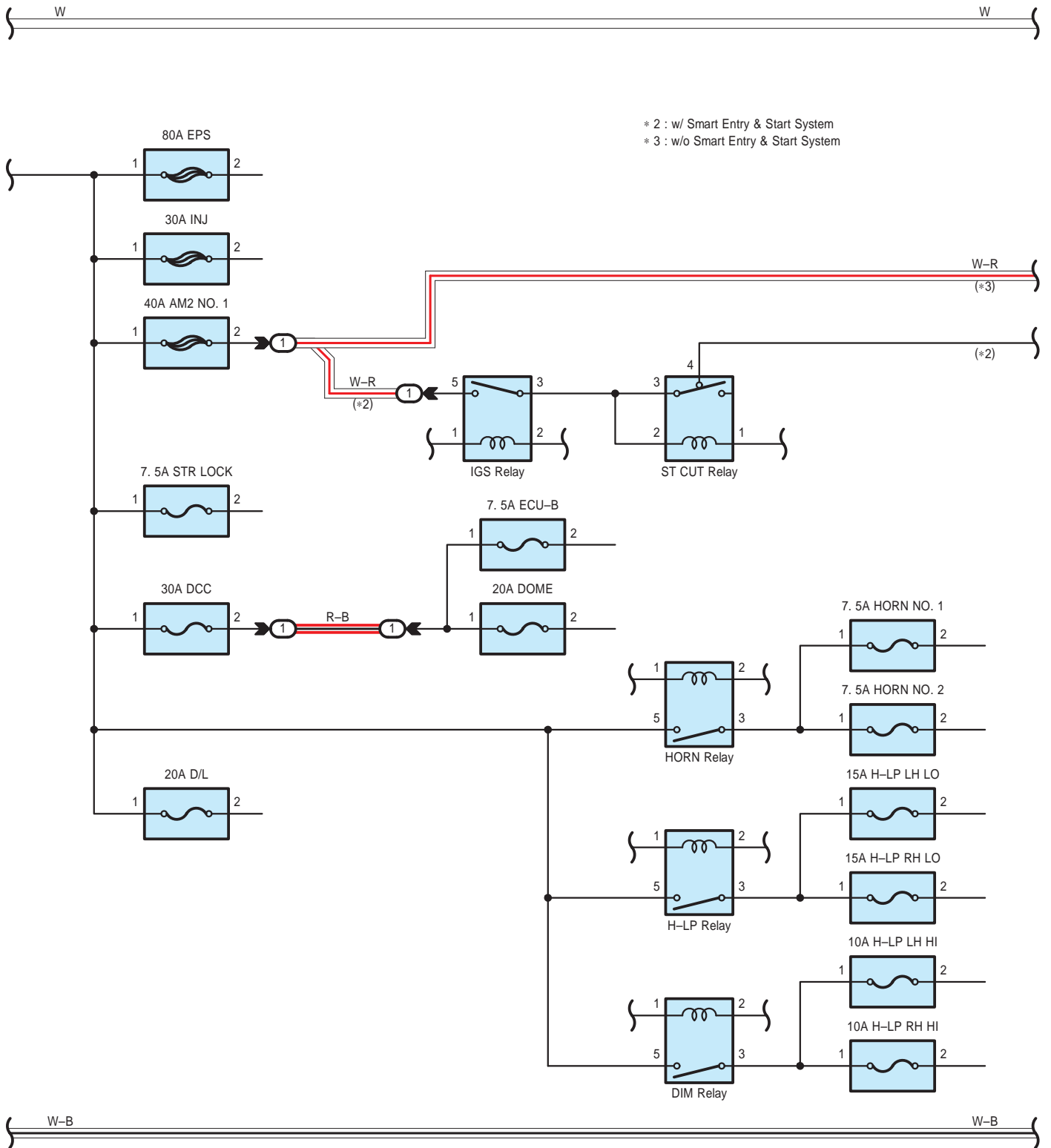
ELECTRICAL WIRING DIAGRAM SYSTEM CIRCUITS

	Page
ABS	226
Air Conditioning (Automatic A/C)	350
Air Conditioning (Manual A/C)	362
Audio System	324
Automatic Light Control	206
Back-Up Light	168
Charging	92
Clock	262
Combination Meter	334
Cooling Fan	346
Cruise Control	100
DLC3	146
Door Lock Control	270
Electronically Controlled Transmission and A/T Indicator (A/T)	100
Engine Control	100
Engine Immobiliser System (w/ Smart Entry & Start System)	60
Engine Immobiliser System (w/o Smart Entry & Start System)	140
EPS	246
Front Fog Light	198
Front Wiper and Washer	296
Headlight	154
Headlight Beam Level Control	214
Horn	310
Ignition	96
Illumination	176
Interior Light	188
Key Reminder (w/o Smart Entry & Start System)	220
Light Auto Turn Off System	206
Light Reminder	220
Mirror Heater	302
Multiplex Communication System (CAN)	150
Option Connector	372
Power Outlet	312
Power Source	52
Power Window	264
Rear Window Defogger	302
Remote Control Mirror	300
Seat Belt Warning	252
Seat Heater	308
Shift Indicator (M/T)	100
Shift Lock	100
Smart Entry & Start System	60

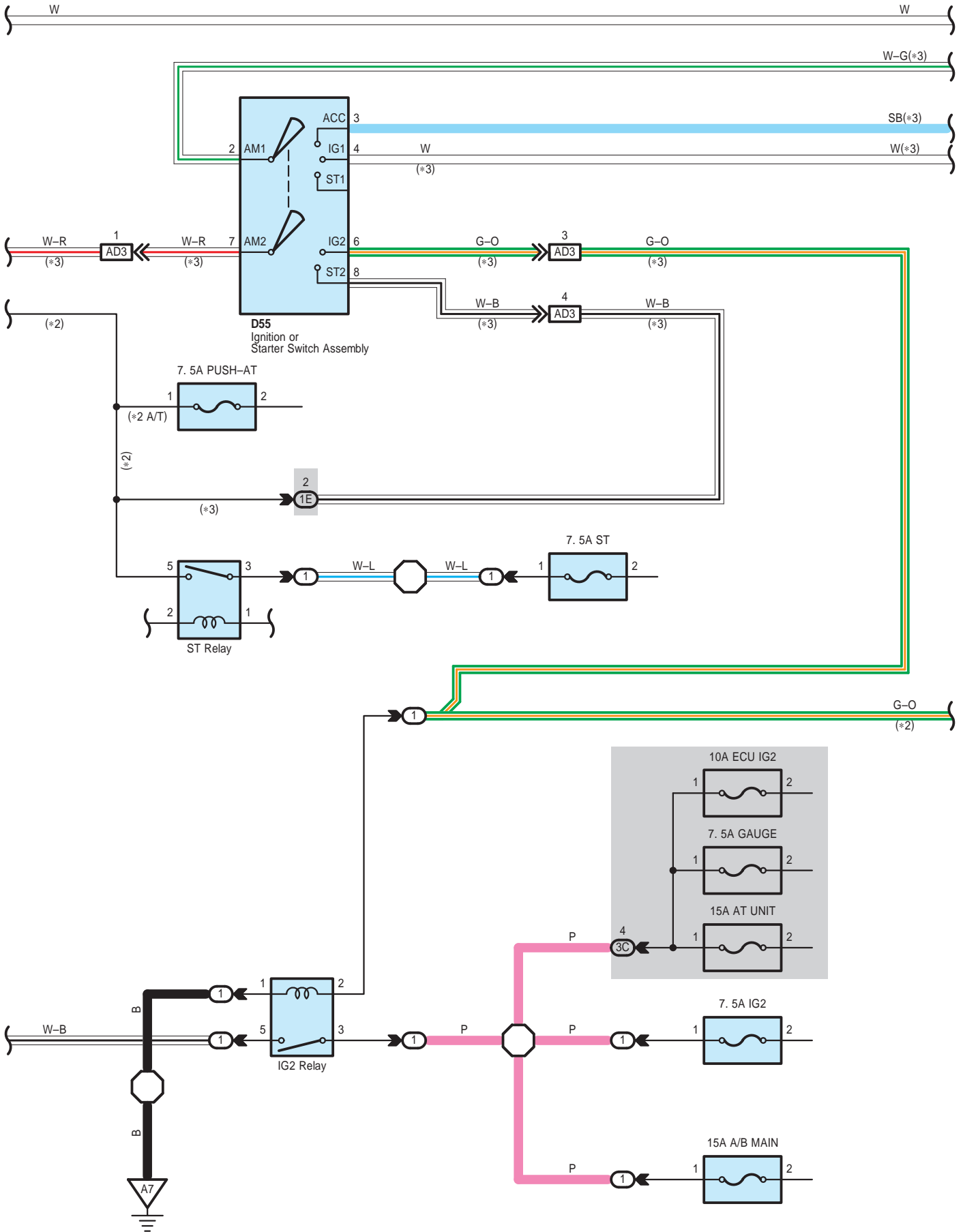
	Page
SRS	239
Starting (w/ Smart Entry & Start System)	60
Starting (w/o Smart Entry & Start System)	88
Steering Lock (w/ Smart Entry & Start System)	60
Stop Light	164
Taillight	176
Theft Deterrent	314
Tire Pressure Warning System	256
TRAC	226
Trunk Opener	286
Turn Signal and Hazard Warning Light	170
VSC	226
Wireless Door Lock Control (w/ Smart Entry & Start System)	60
Wireless Door Lock Control (w/o Smart Entry & Start System)	276

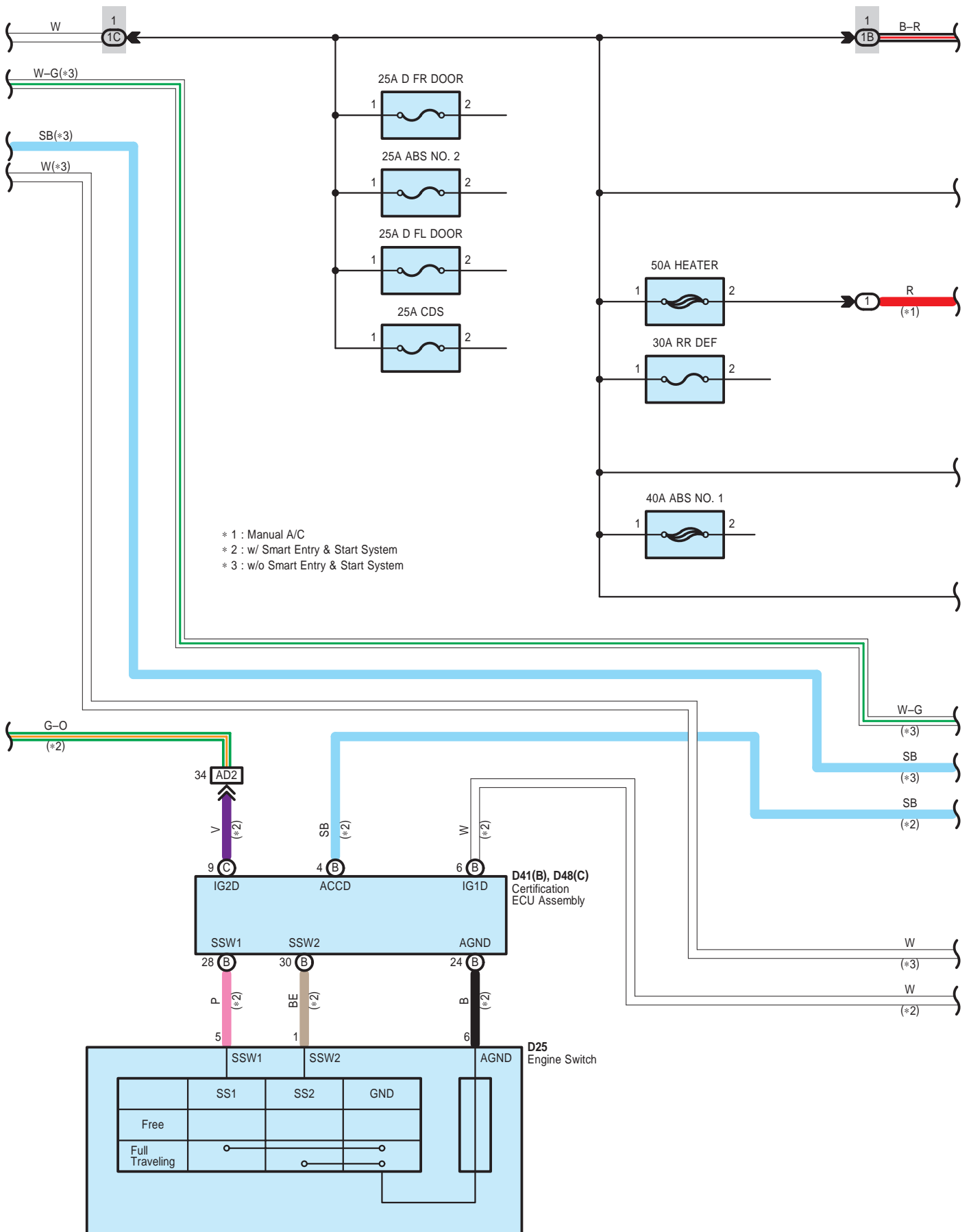
Power Source



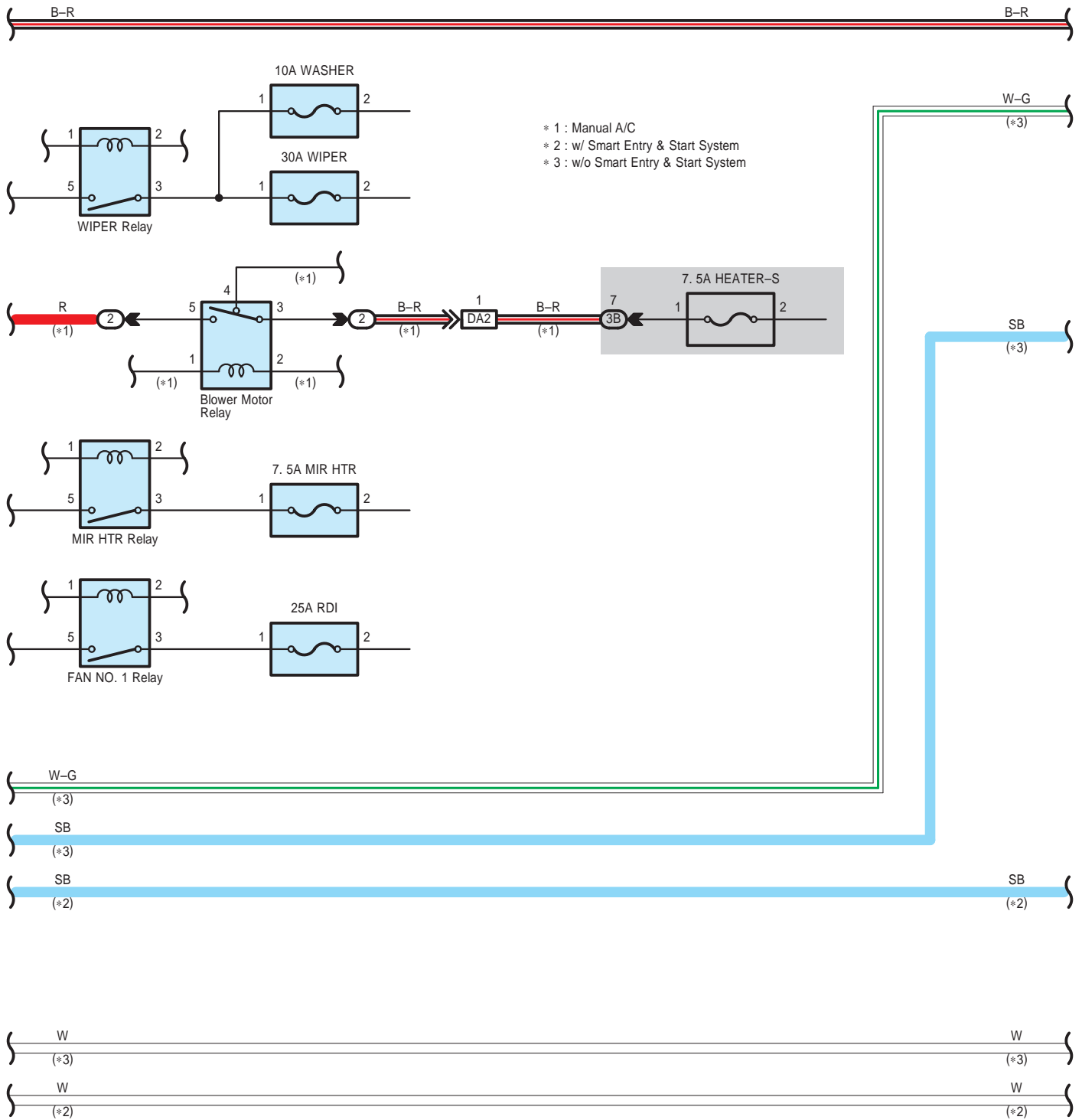


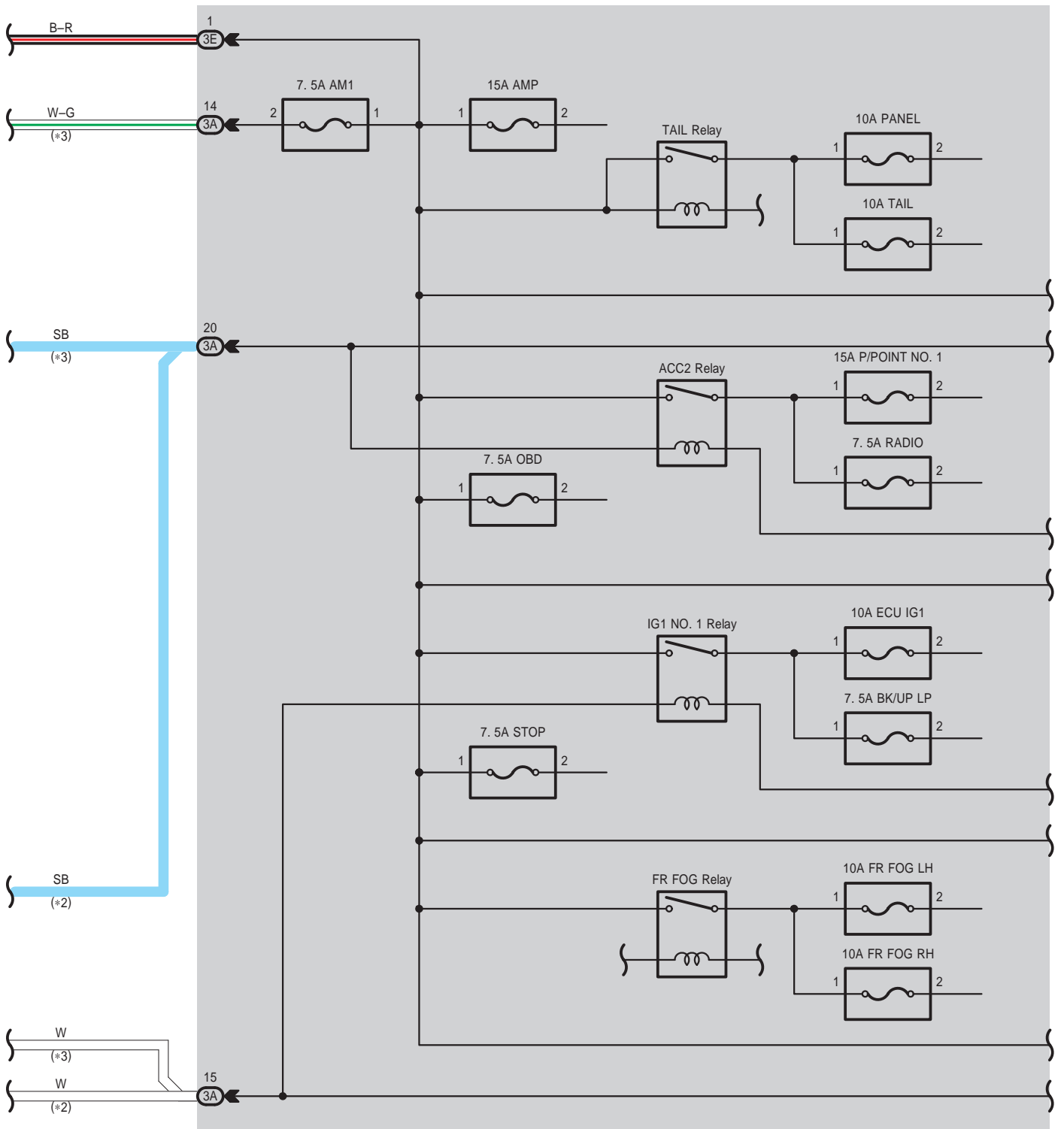
Power Source



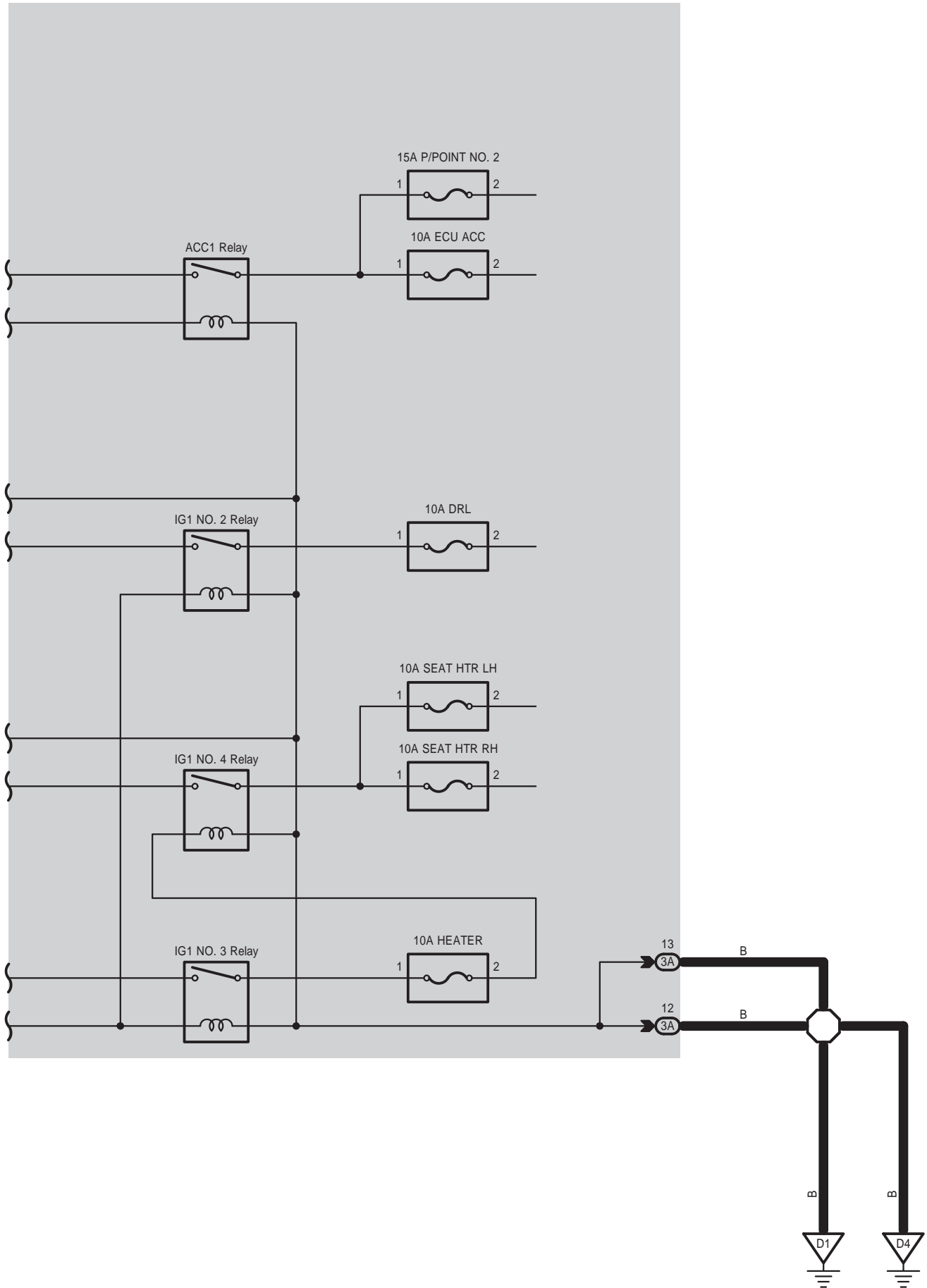


Power Source





Power Source



○ : Parts Location

Code		See Page	Code		See Page	Code		See Page
A75	A	36, 39	D25		40	D48	C	41
A76	B	36, 39	D41	B	41	D55		41

○ : Relay Blocks

Code	See Page	Relay Blocks (Relay Block Location)
1	24	Engine Room R/B (Engine Compartment Right)
2	25	R/B No. 2 (Behind Glove Box)

○ : Junction Block and Wire Harness Connector

Code	See Page	Junction Block and Wire Harness (Connector Location)
1B	24	Engine Room Main Wire and Engine Room J/B (Engine Compartment Right)
1C		
1D		
1E		
3A	26	Instrument Panel Wire and Instrument Panel J/B Assembly (Instrument Panel Reinforcement)
3B		
3C	26	Engine Room Main Wire and Instrument Panel J/B Assembly (Instrument Panel Reinforcement)
3E		

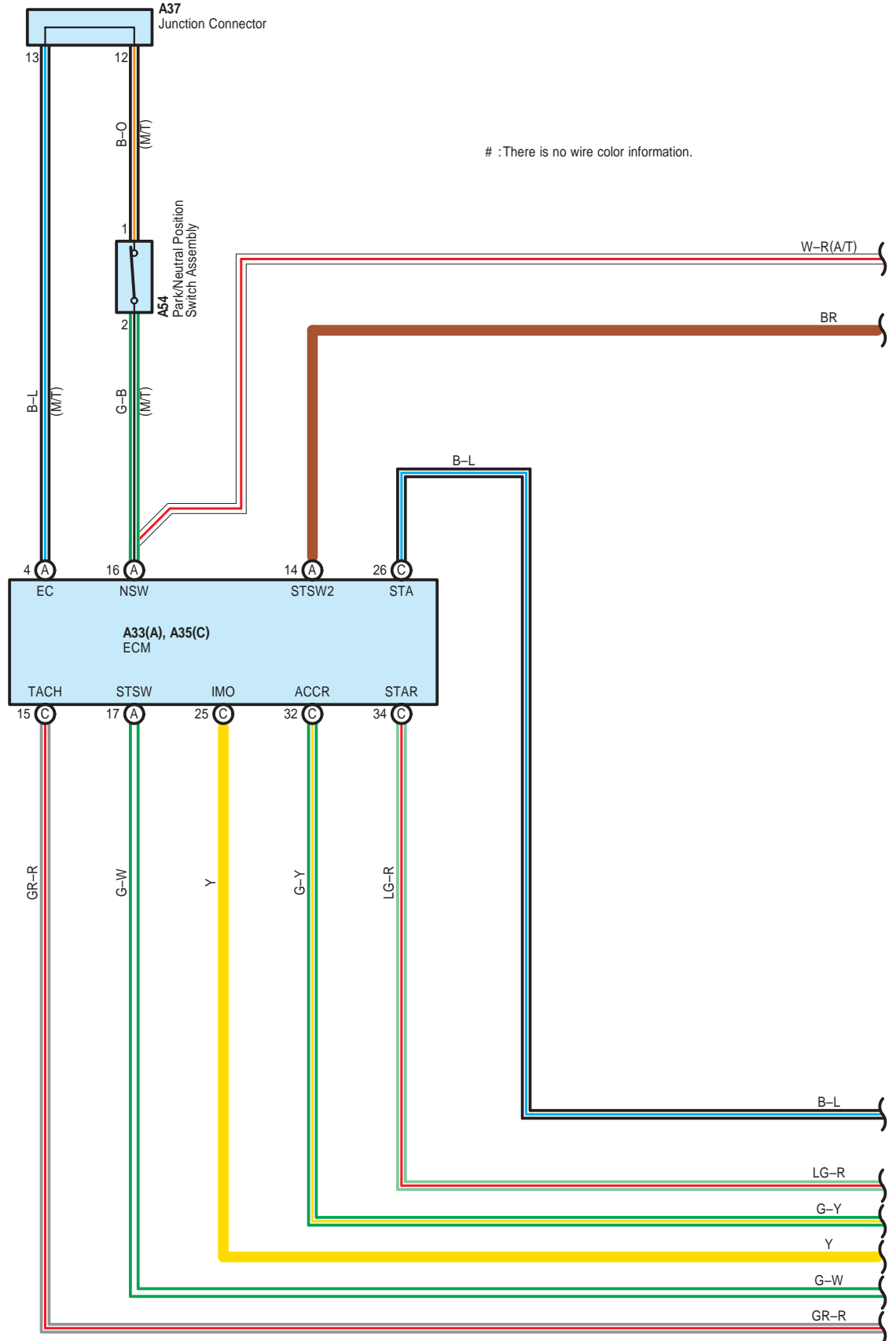
□ : Connector Joining Wire Harness and Wire Harness

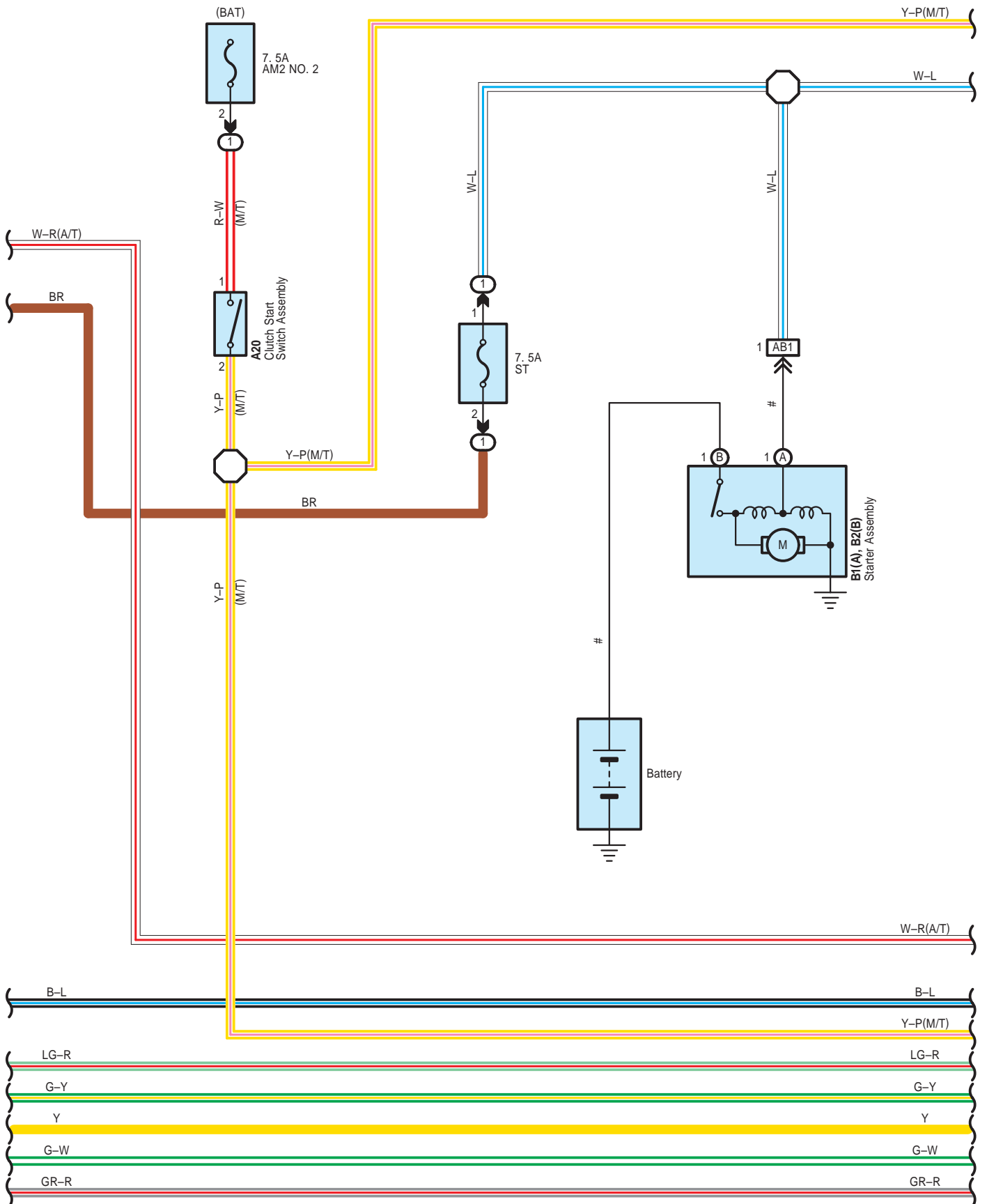
Code	See Page	Joining Wire Harness and Wire Harness (Connector Location)
AD2	47	Engine Room Main Wire and Instrument Panel Wire (Cowl Side Panel RH)
AD3	47	Engine Room Main Wire and Instrument Panel Wire (Cowl Side Panel LH)
DA2	47	Instrument Panel Wire and Engine Room Main Wire (Around A/C Unit)

▽ : Ground Points

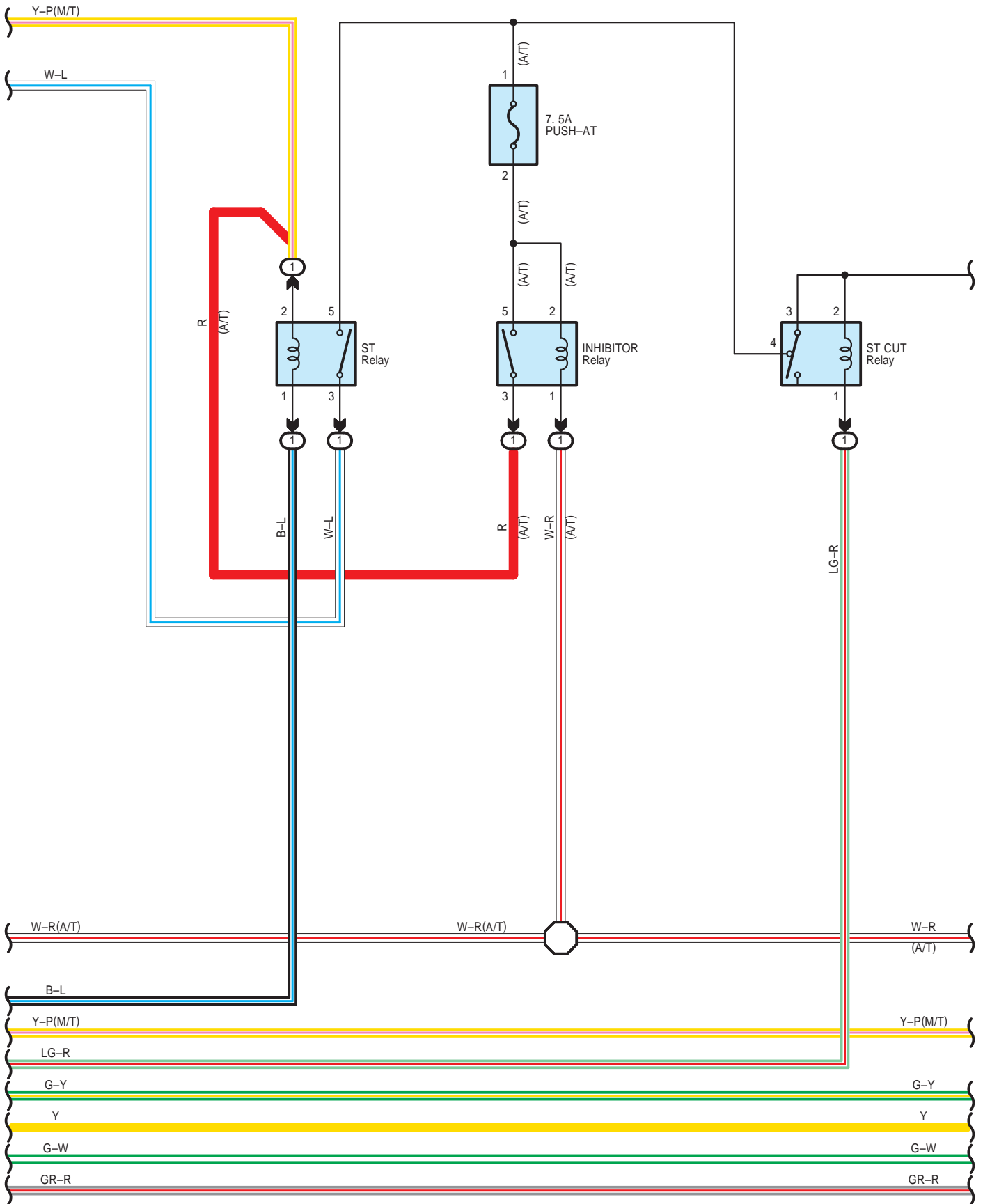
Code	See Page	Ground Points Location
A7	46	Front Fender Apron RH
D1	47	Cowl Side Panel LH
D4	47	Cowl Side Panel RH

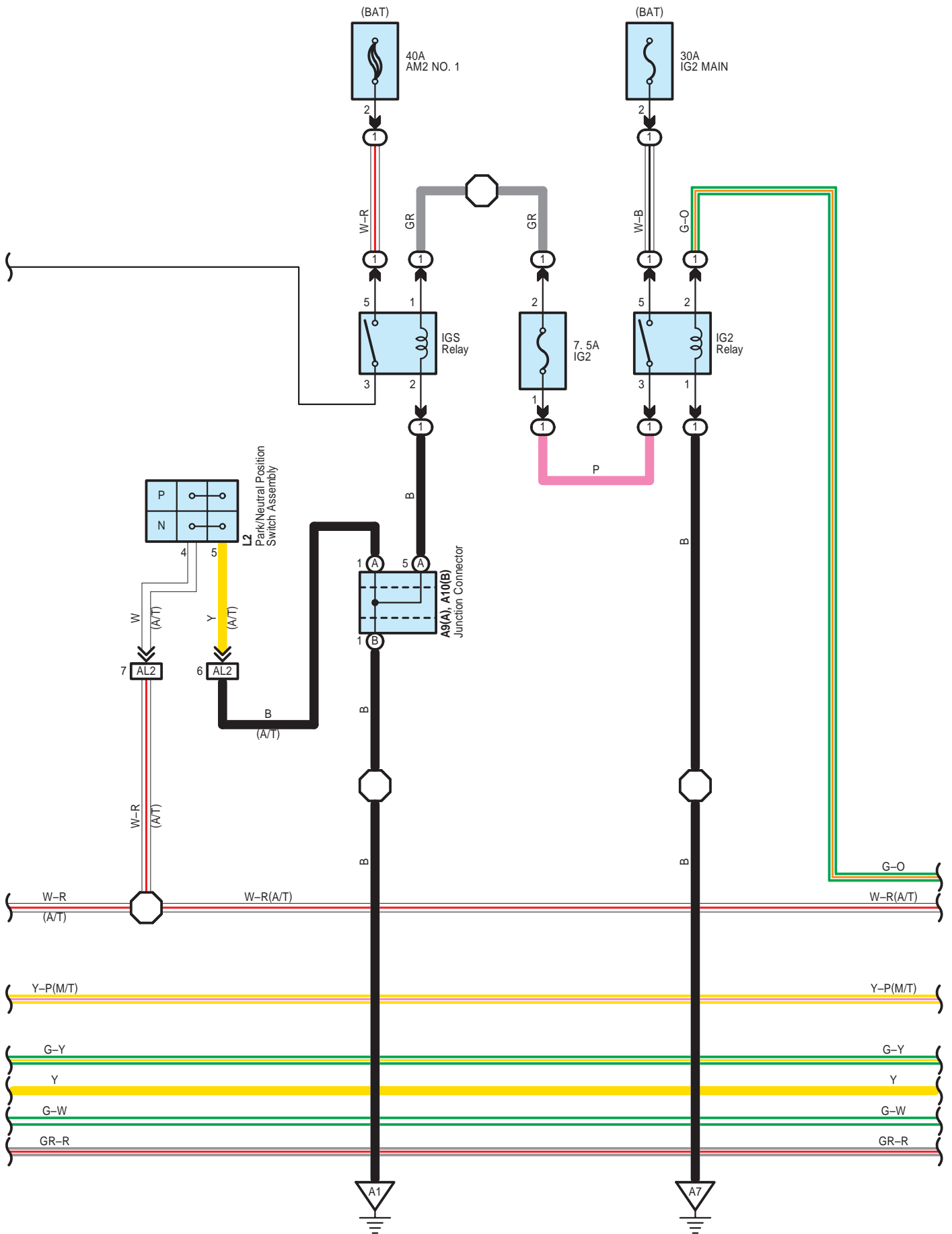
Engine Immobiliser System (w/ Smart Entry & Start System), Smart Entry & Start System, Starting (w/ Smart Entry & Start System), Steering Lock (w/ Smart Entry & Start System) and Wireless Door Lock Control (w/ Smart Entry & Start System)



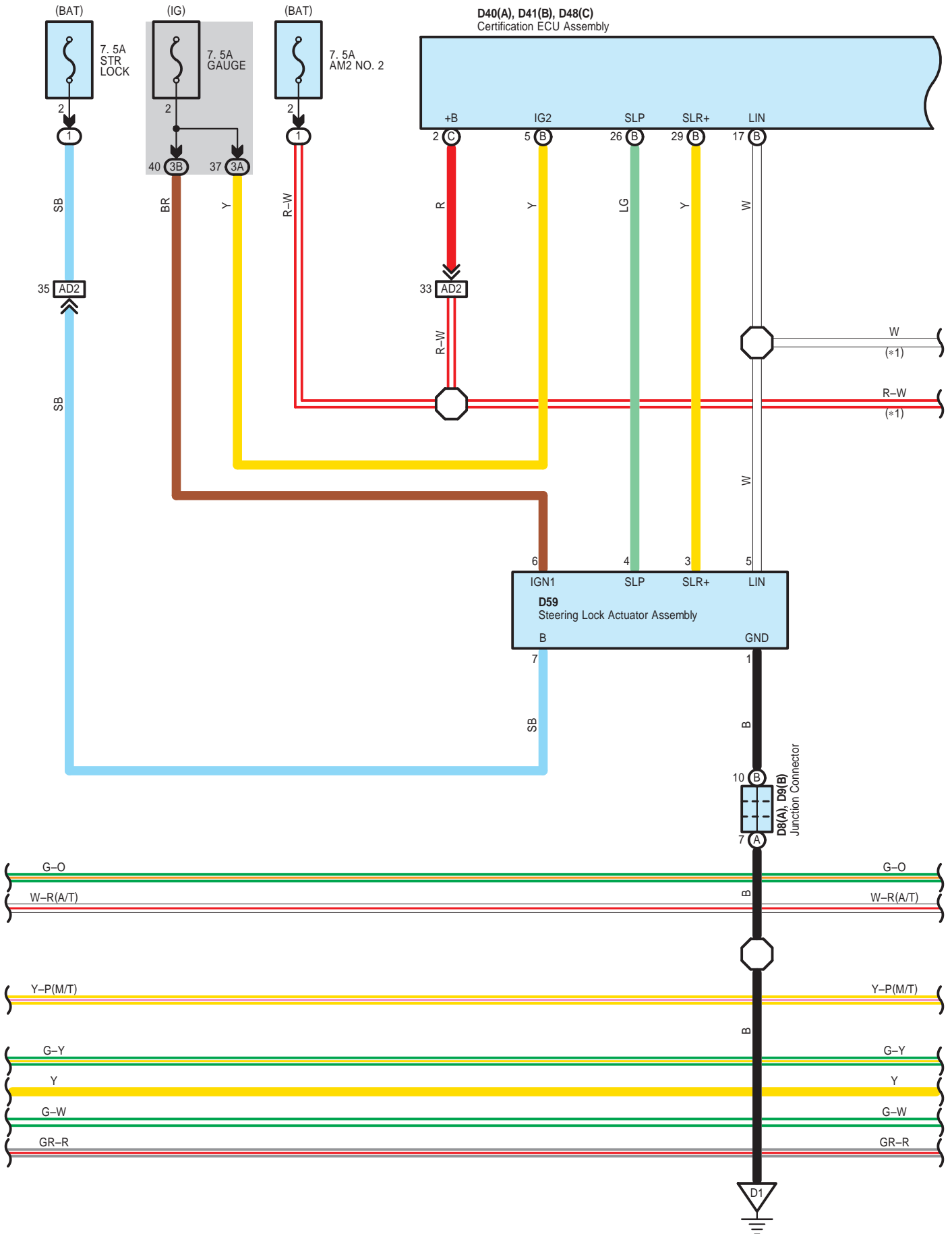


Engine Immobiliser System (w/ Smart Entry & Start System), Smart Entry & Start System, Starting (w/ Smart Entry & Start System), Steering Lock (w/ Smart Entry & Start System) and Wireless Door Lock Control (w/ Smart Entry & Start System)

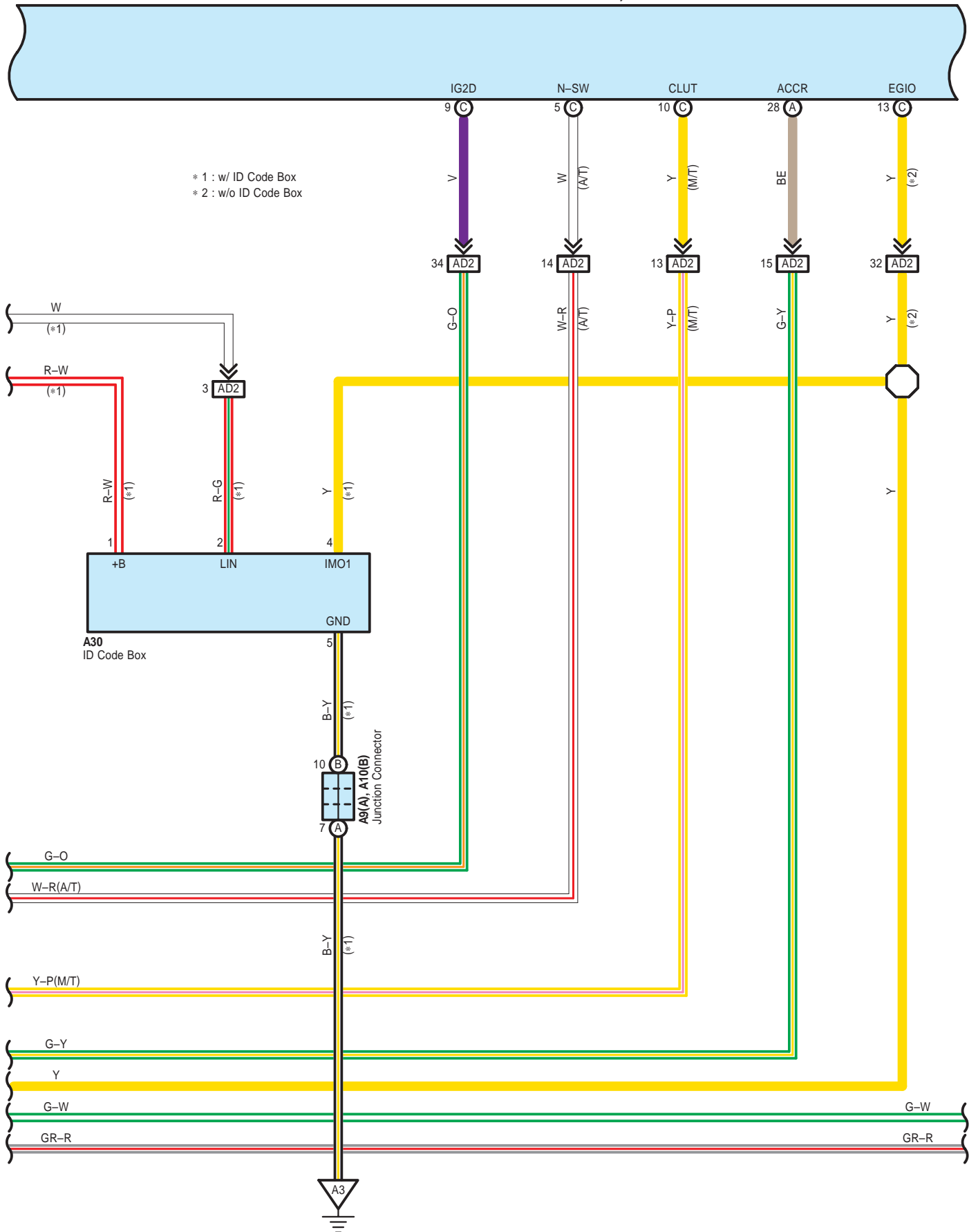




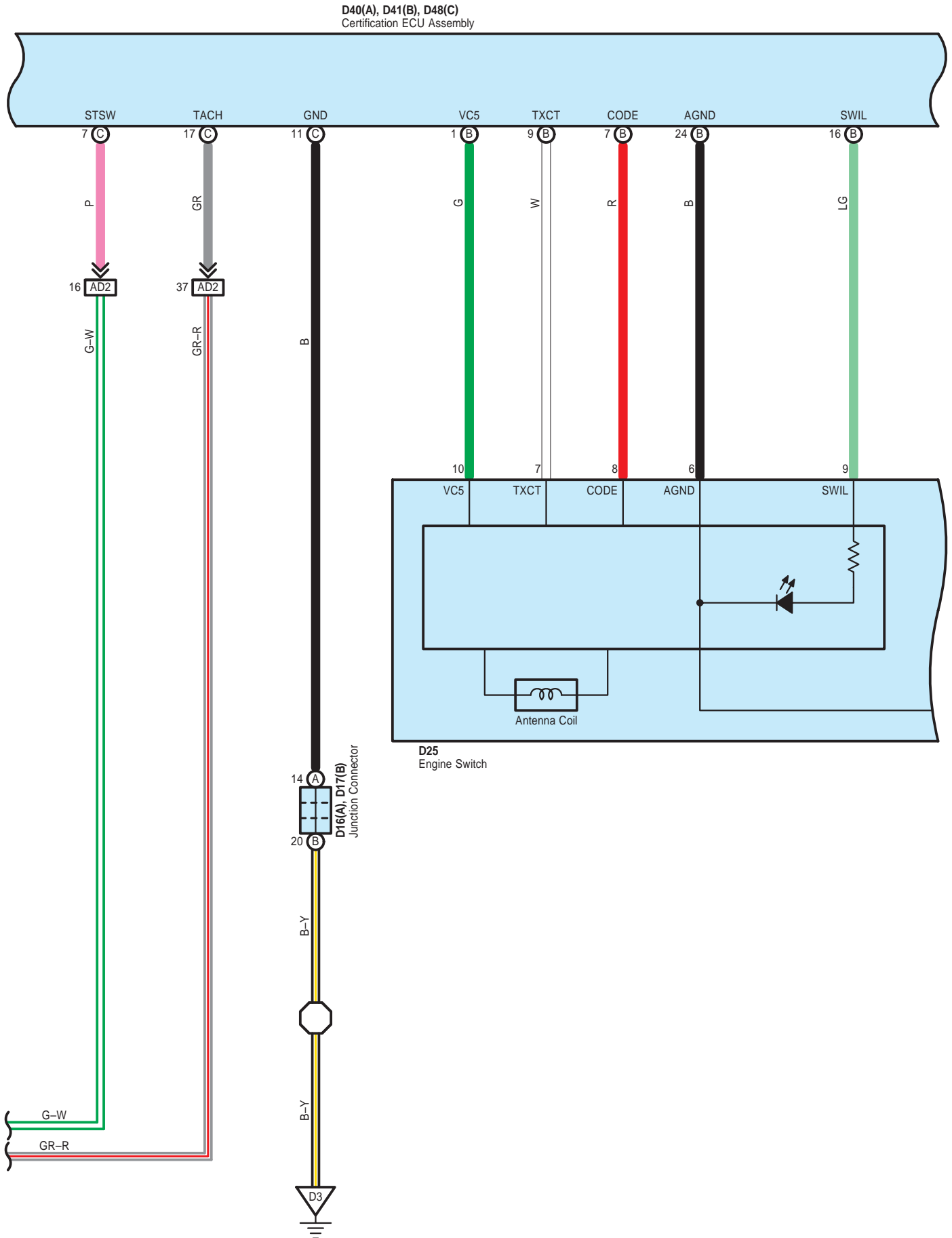
Engine Immobiliser System (w/ Smart Entry & Start System), Smart Entry & Start System, Starting (w/ Smart Entry & Start System), Steering Lock (w/ Smart Entry & Start System) and Wireless Door Lock Control (w/ Smart Entry & Start System)



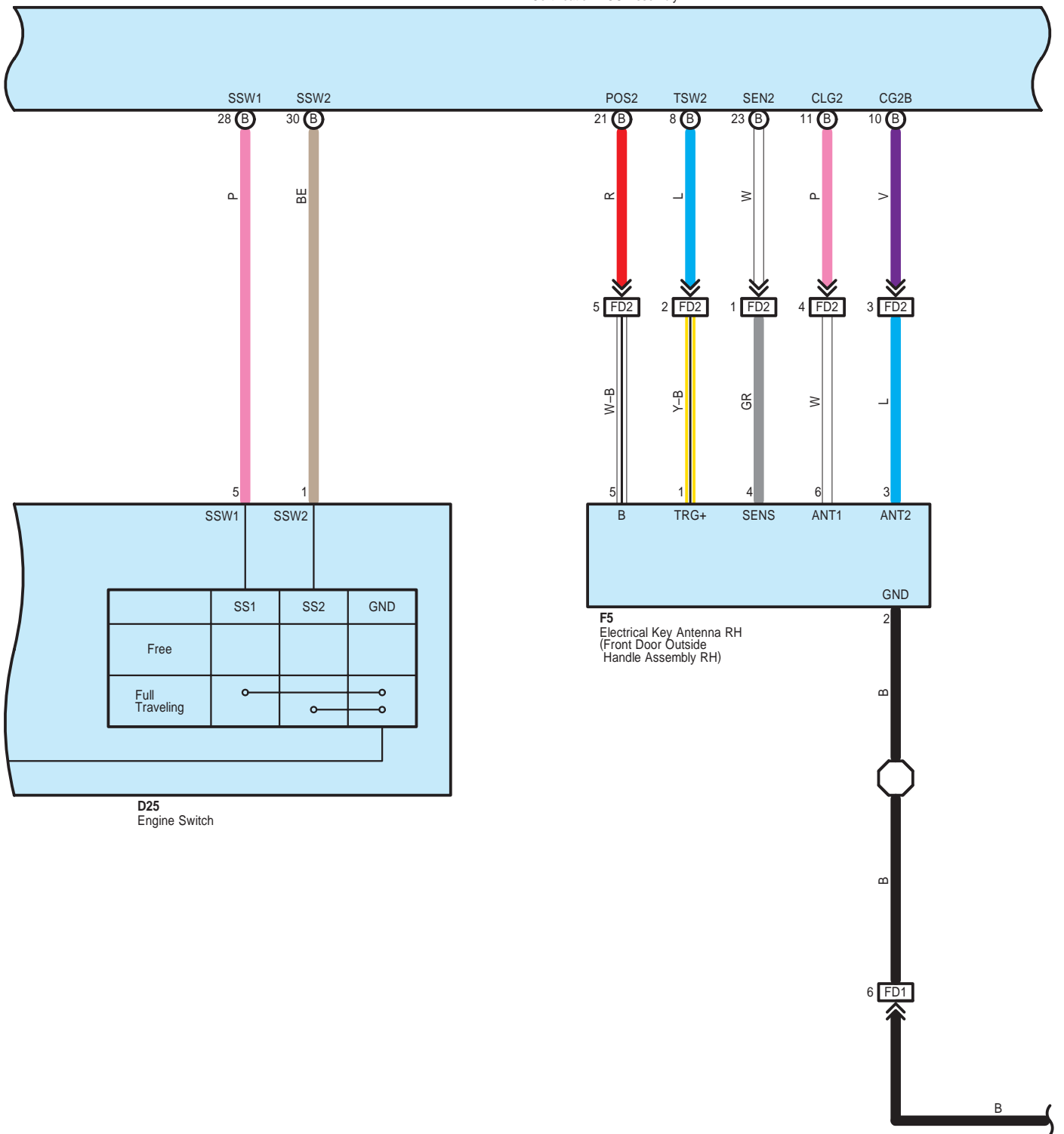
D40(A), D41(B), D48(C)
Certification ECU Assembly



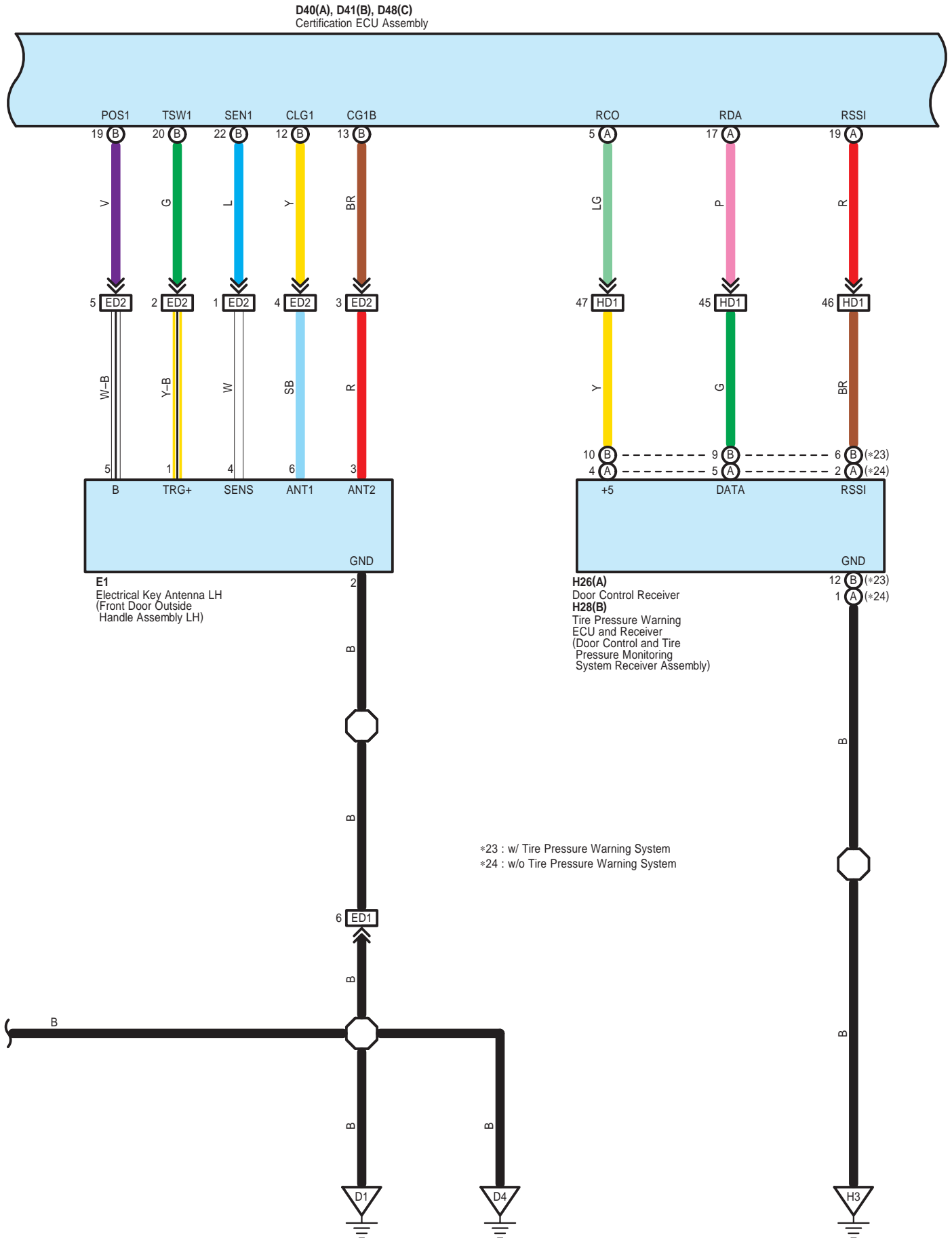
Engine Immobiliser System (w/ Smart Entry & Start System), Smart Entry & Start System, Starting (w/ Smart Entry & Start System), Steering Lock (w/ Smart Entry & Start System) and Wireless Door Lock Control (w/ Smart Entry & Start System)



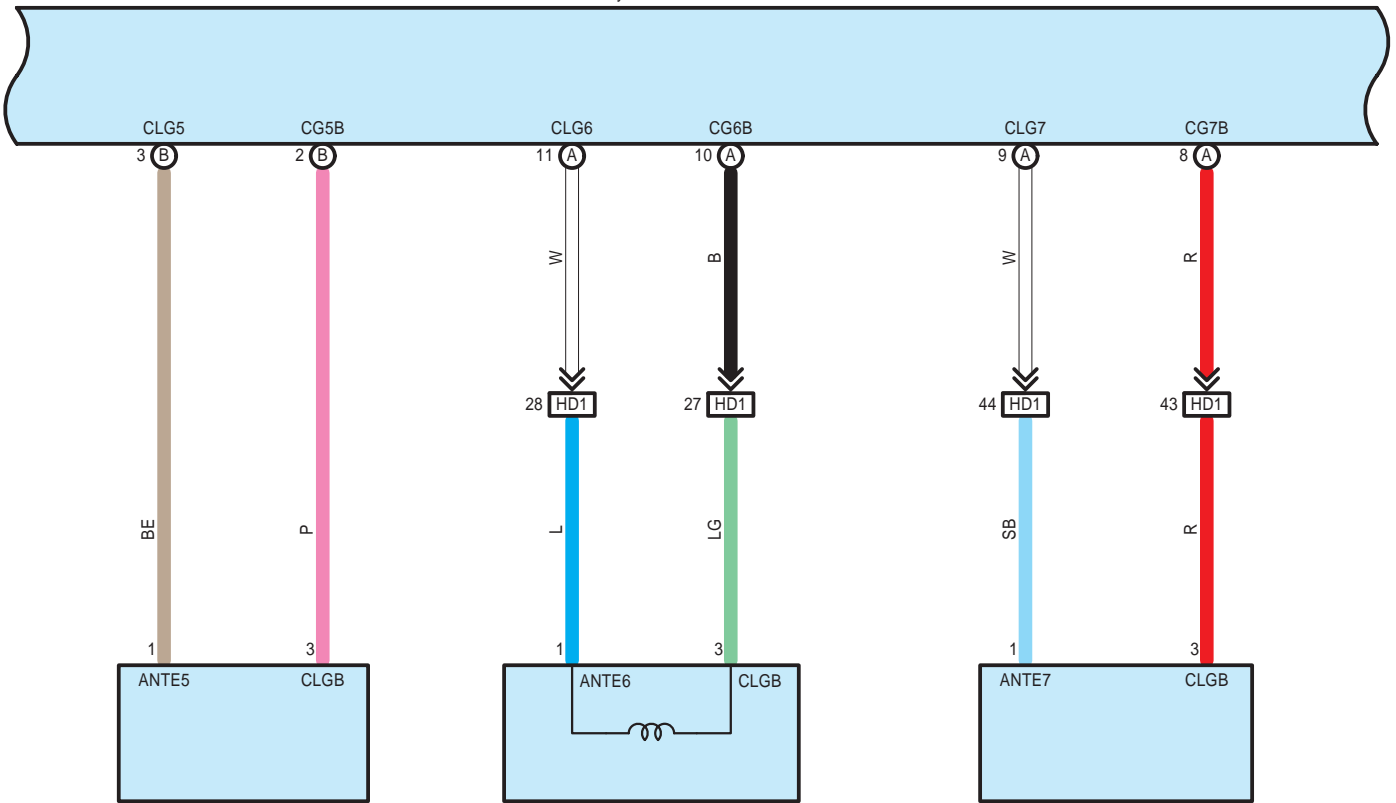
D40(A), D41(B), D48(C)
Certification ECU Assembly



Engine Immobiliser System (w/ Smart Entry & Start System), Smart Entry & Start System, Starting (w/ Smart Entry & Start System), Steering Lock (w/ Smart Entry & Start System) and Wireless Door Lock Control (w/ Smart Entry & Start System)



D40(A), D41(B), D48(C)
 Certification ECU Assembly



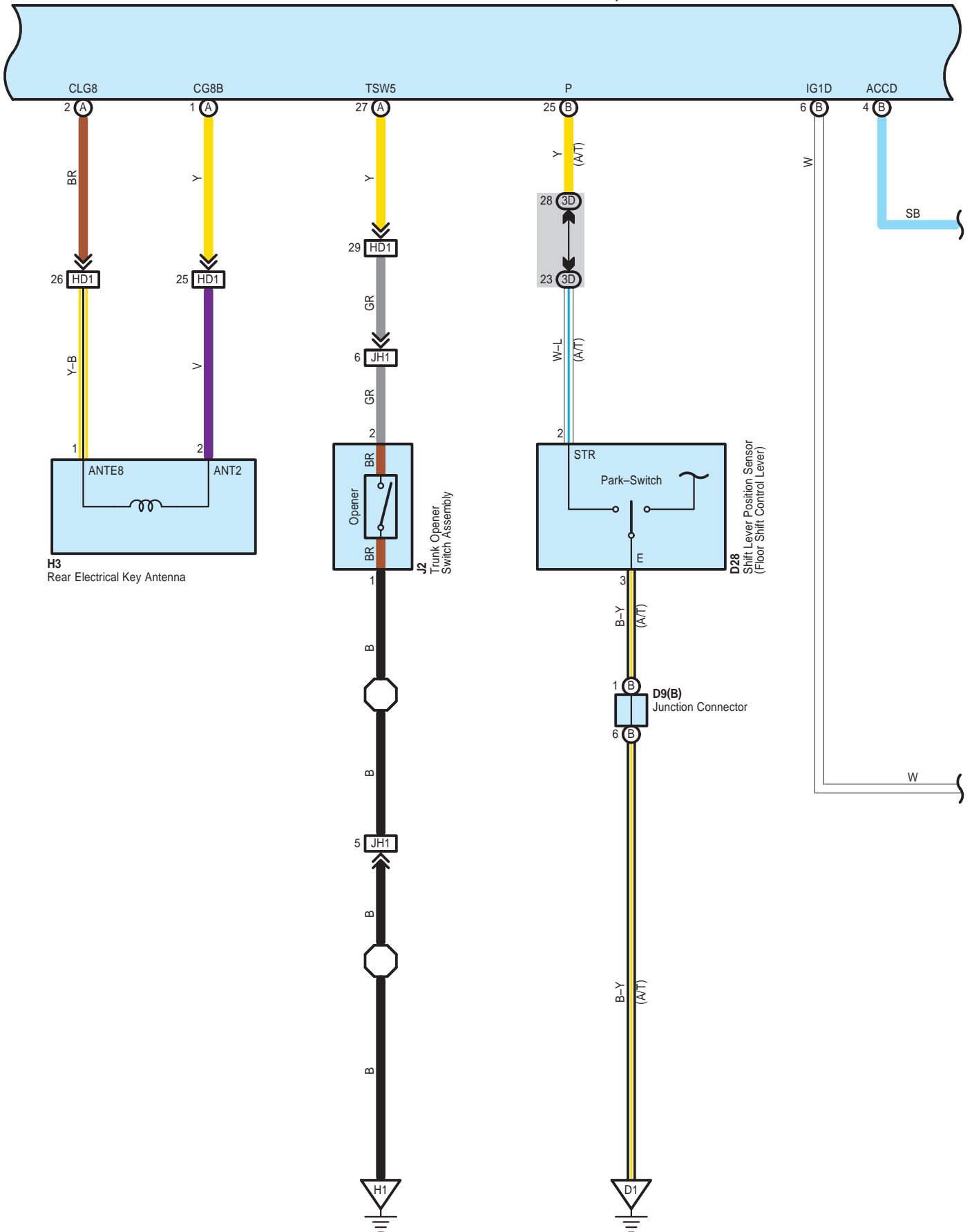
D26
 Indoor Electrical Key
 Oscillator Assembly

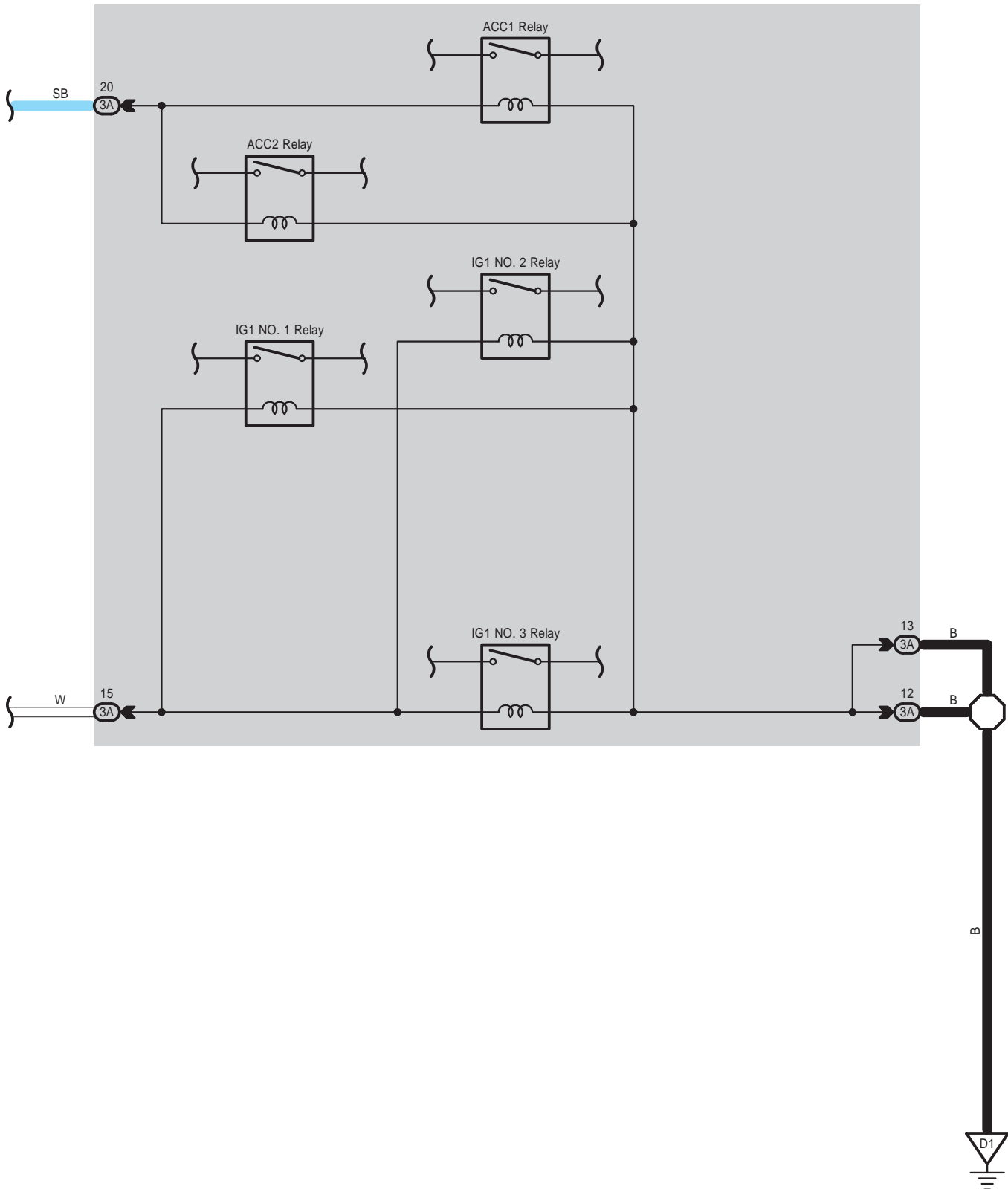
H15
 No. 2 Indoor Electrical
 Key Oscillator Assembly

H9
 No. 3 Indoor Electrical Key
 Oscillator Assembly

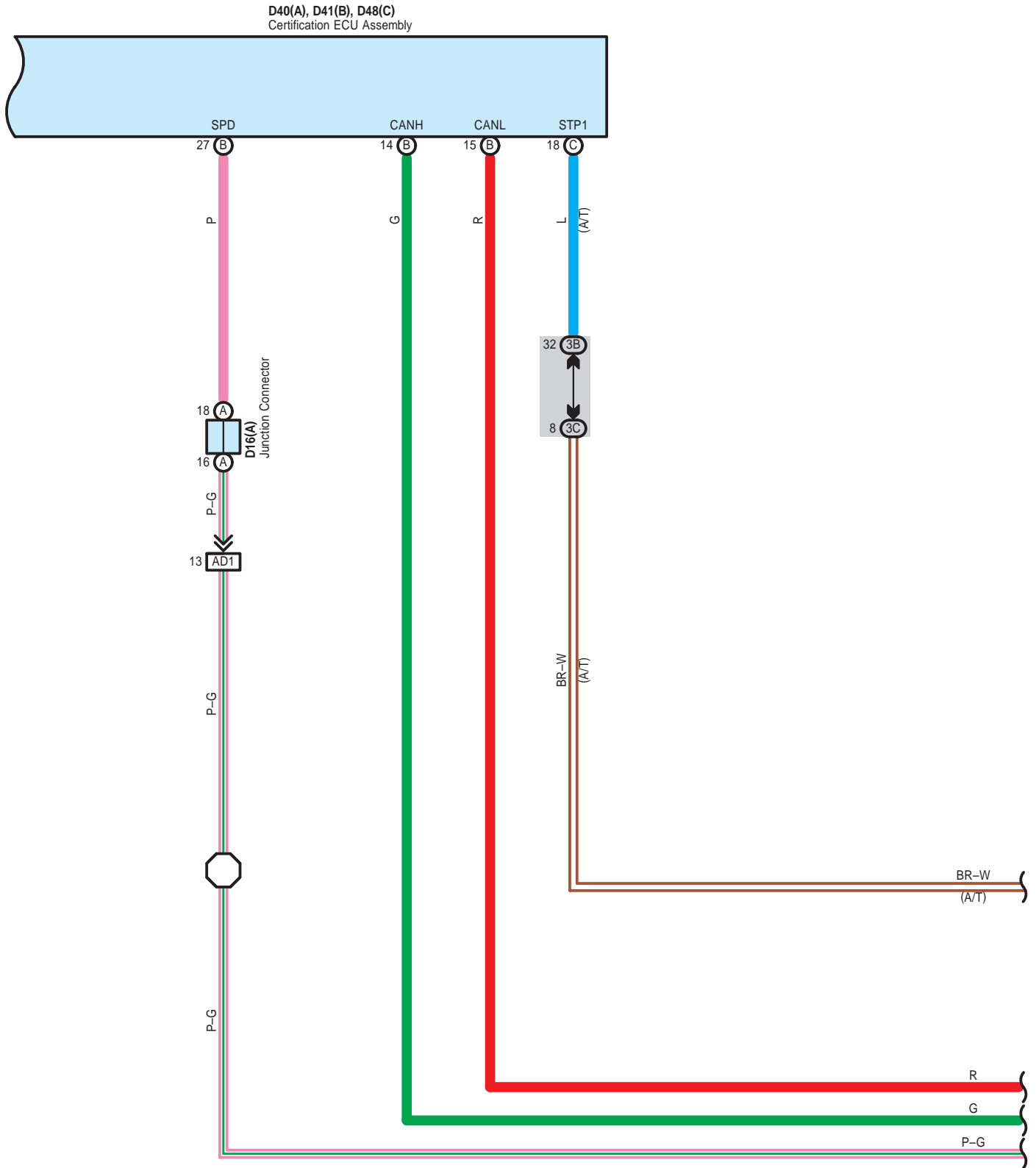
Engine Immobiliser System (w/ Smart Entry & Start System), Smart Entry & Start System, Starting (w/ Smart Entry & Start System), Steering Lock (w/ Smart Entry & Start System) and Wireless Door Lock Control (w/ Smart Entry & Start System)

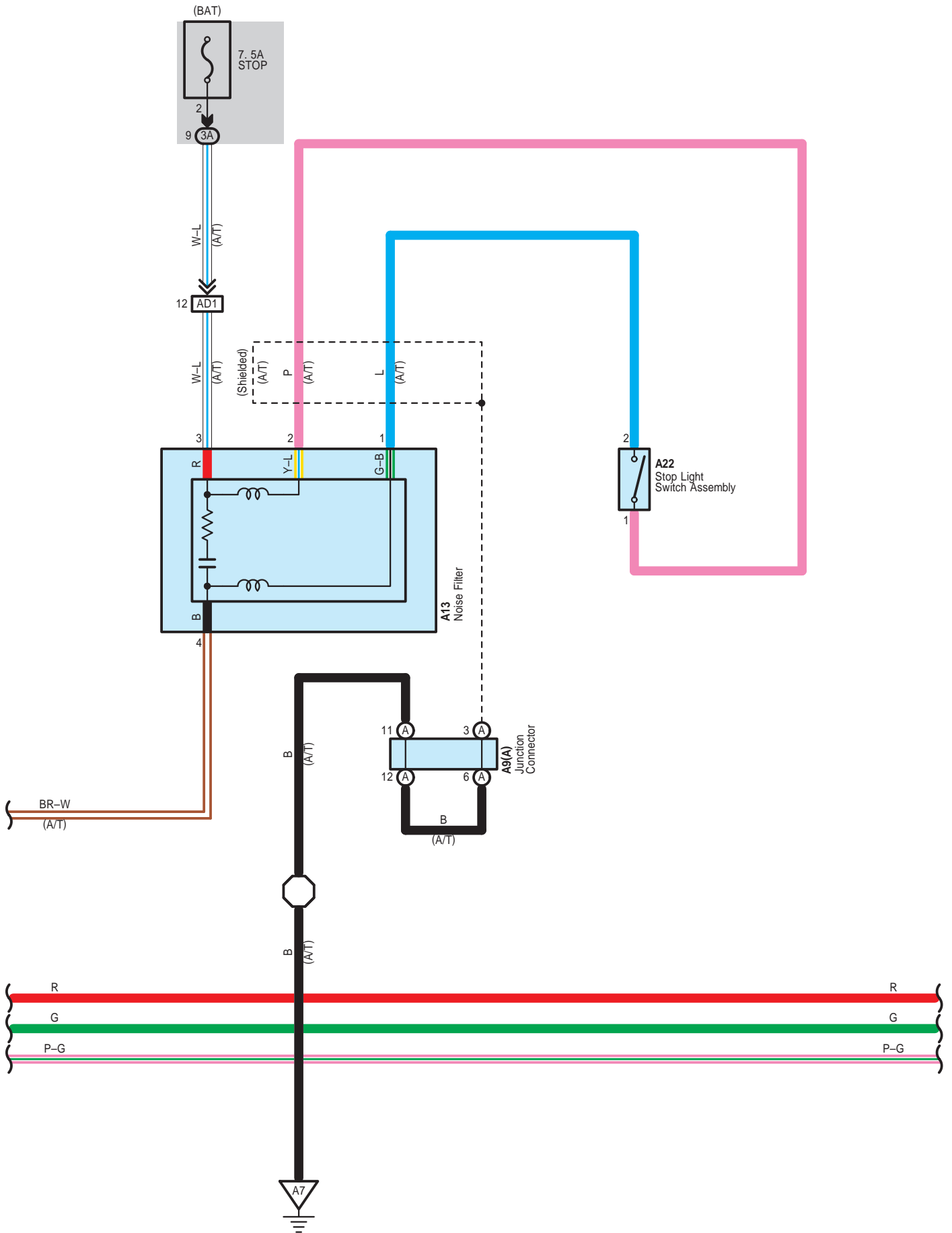
D40(A), D41(B), D48(C)
Certification ECU Assembly



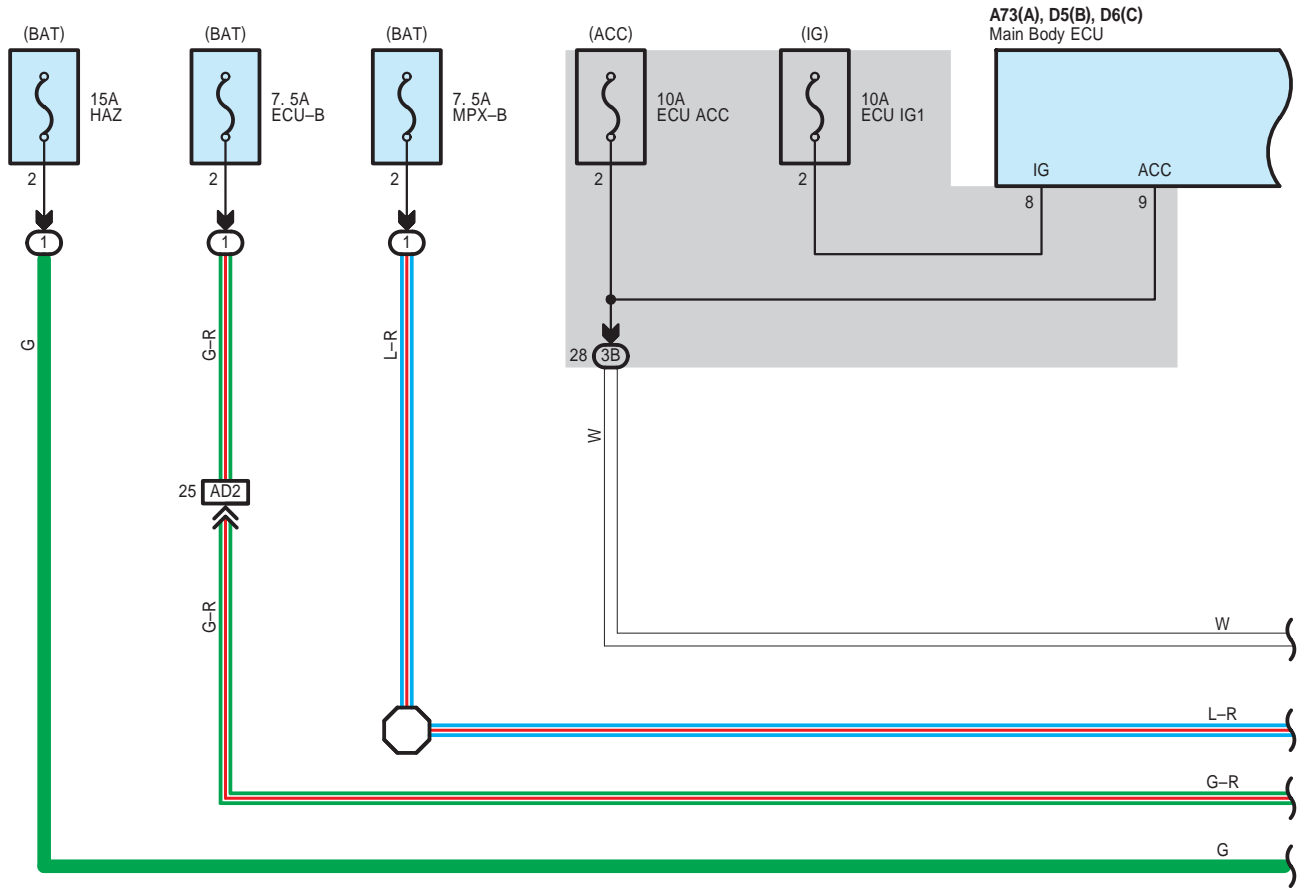


Engine Immobiliser System (w/ Smart Entry & Start System), Smart Entry & Start System, Starting (w/ Smart Entry & Start System), Steering Lock (w/ Smart Entry & Start System) and Wireless Door Lock Control (w/ Smart Entry & Start System)

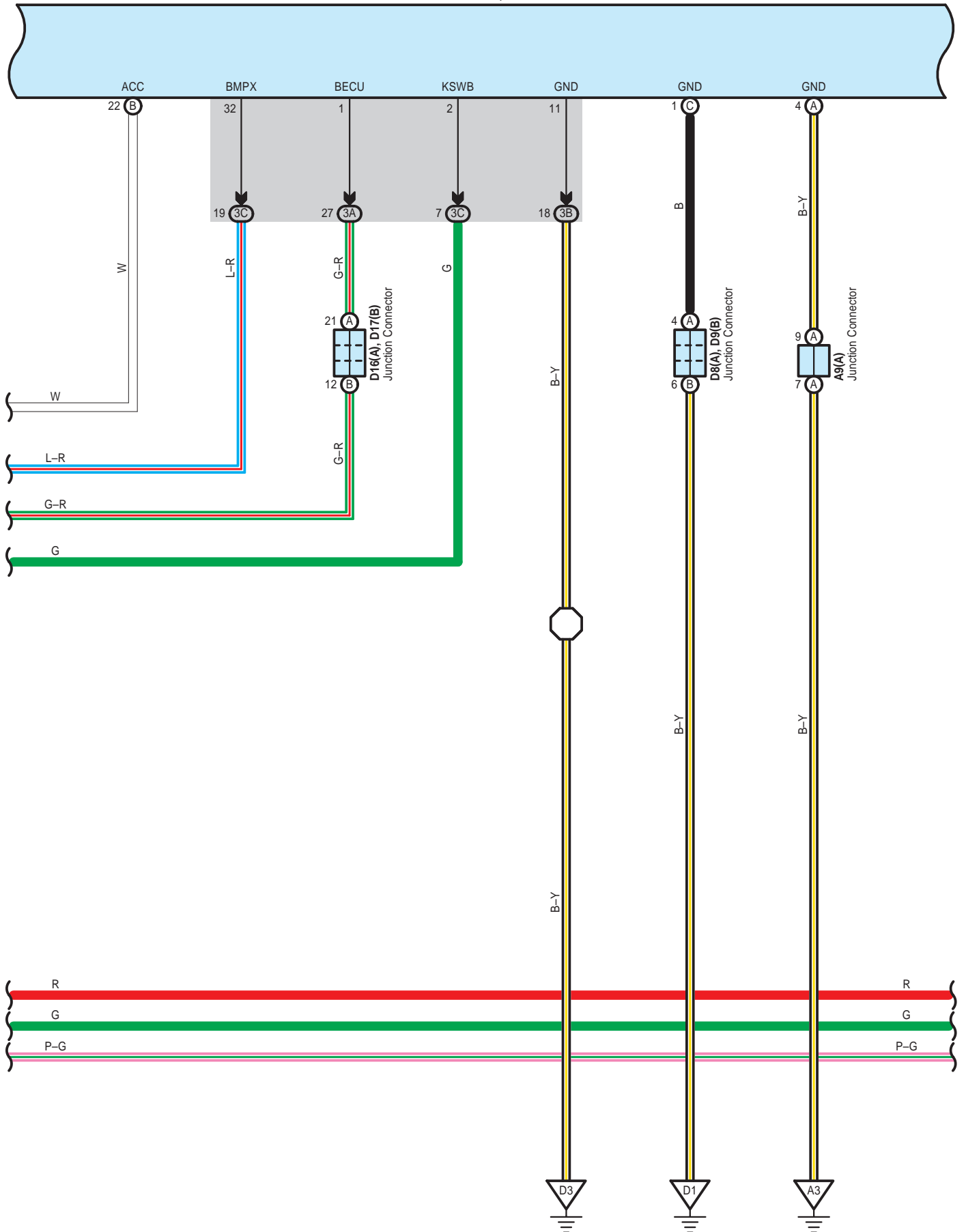




Engine Immobiliser System (w/ Smart Entry & Start System), Smart Entry & Start System, Starting (w/ Smart Entry & Start System), Steering Lock (w/ Smart Entry & Start System) and Wireless Door Lock Control (w/ Smart Entry & Start System)

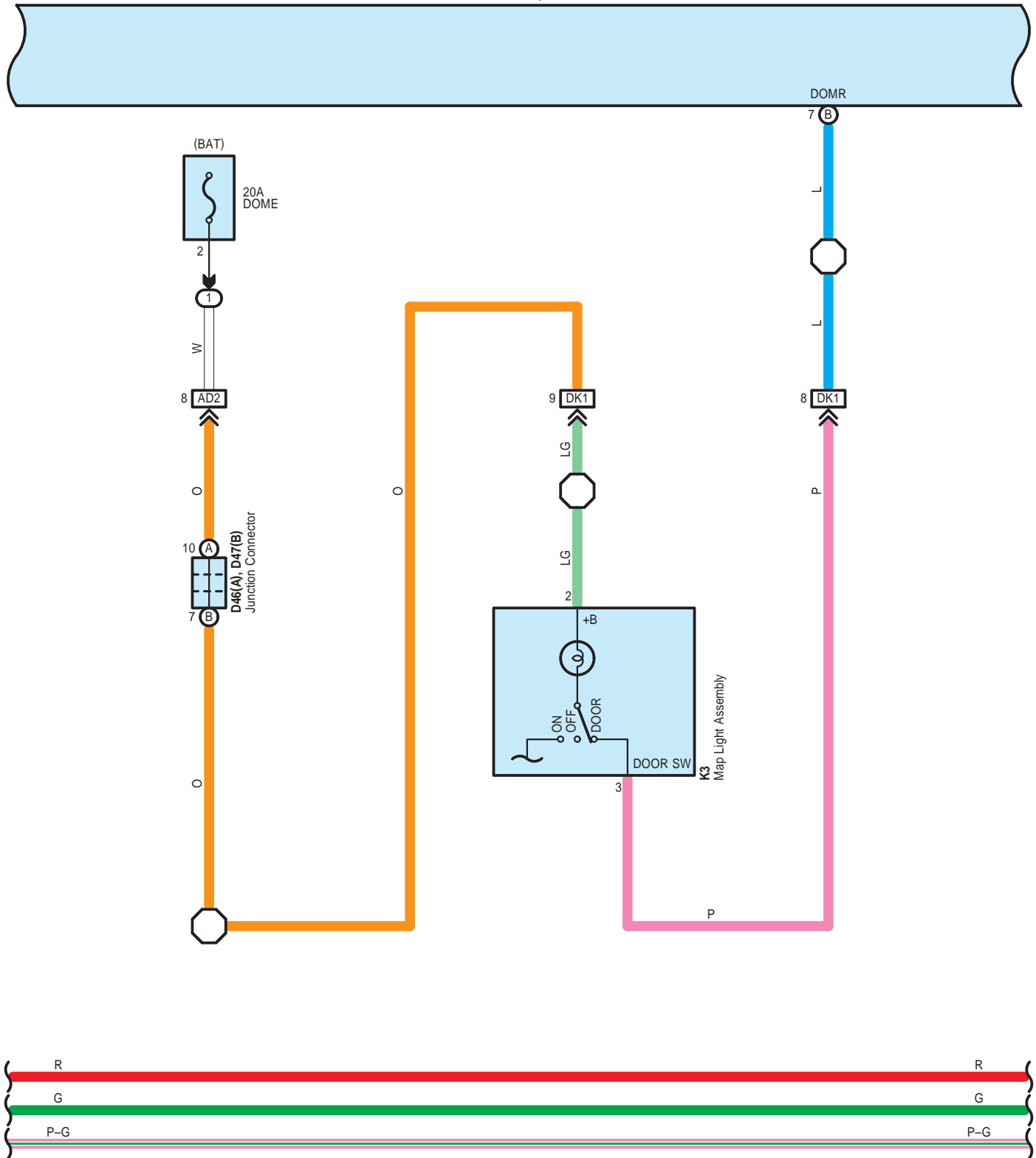


A73(A), D5(B), D6(C)
Main Body ECU

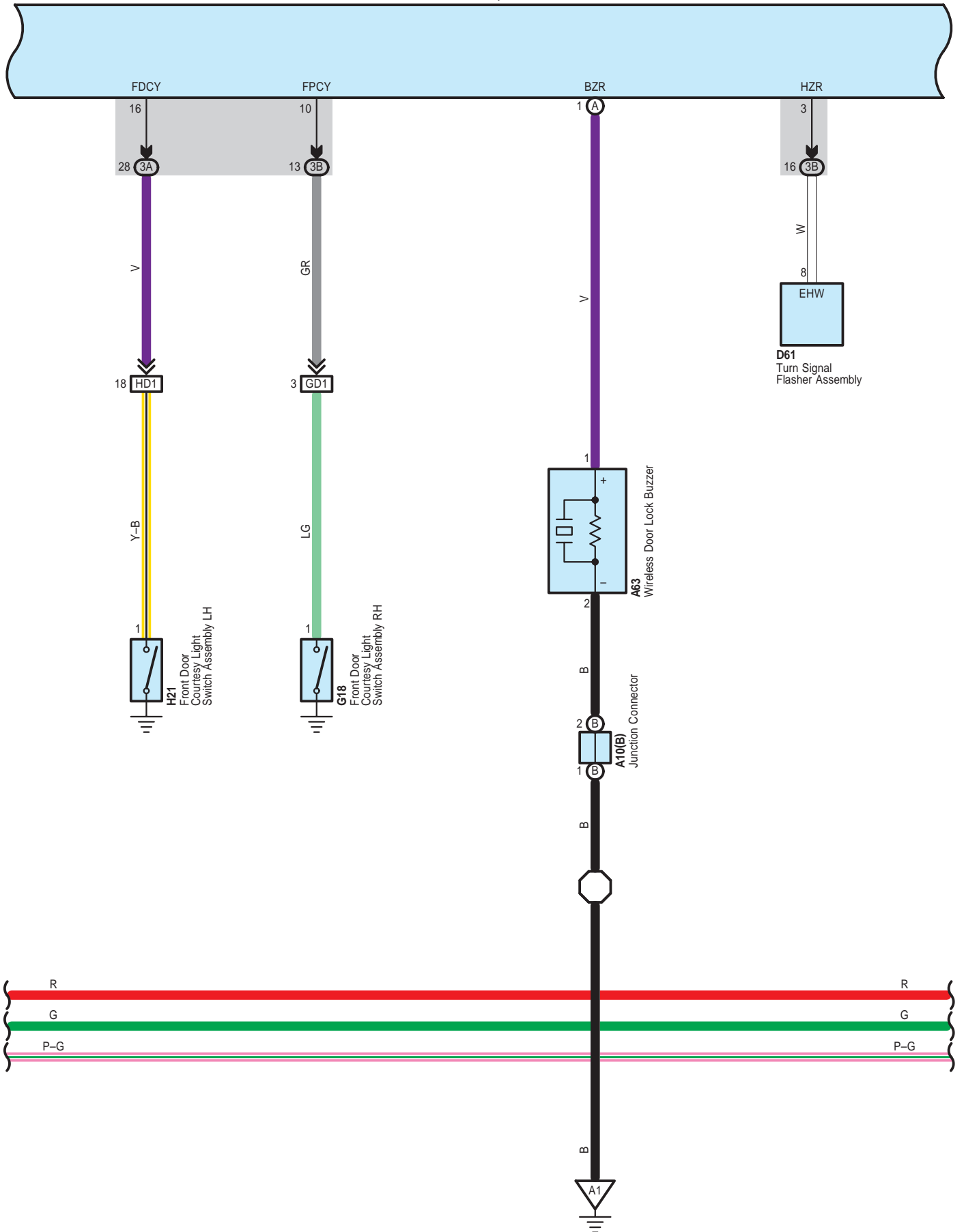


Engine Immobiliser System (w/ Smart Entry & Start System), Smart Entry & Start System, Starting (w/ Smart Entry & Start System), Steering Lock (w/ Smart Entry & Start System) and Wireless Door Lock Control (w/ Smart Entry & Start System)

A73(A), D5(B), D6(C)
Main Body ECU

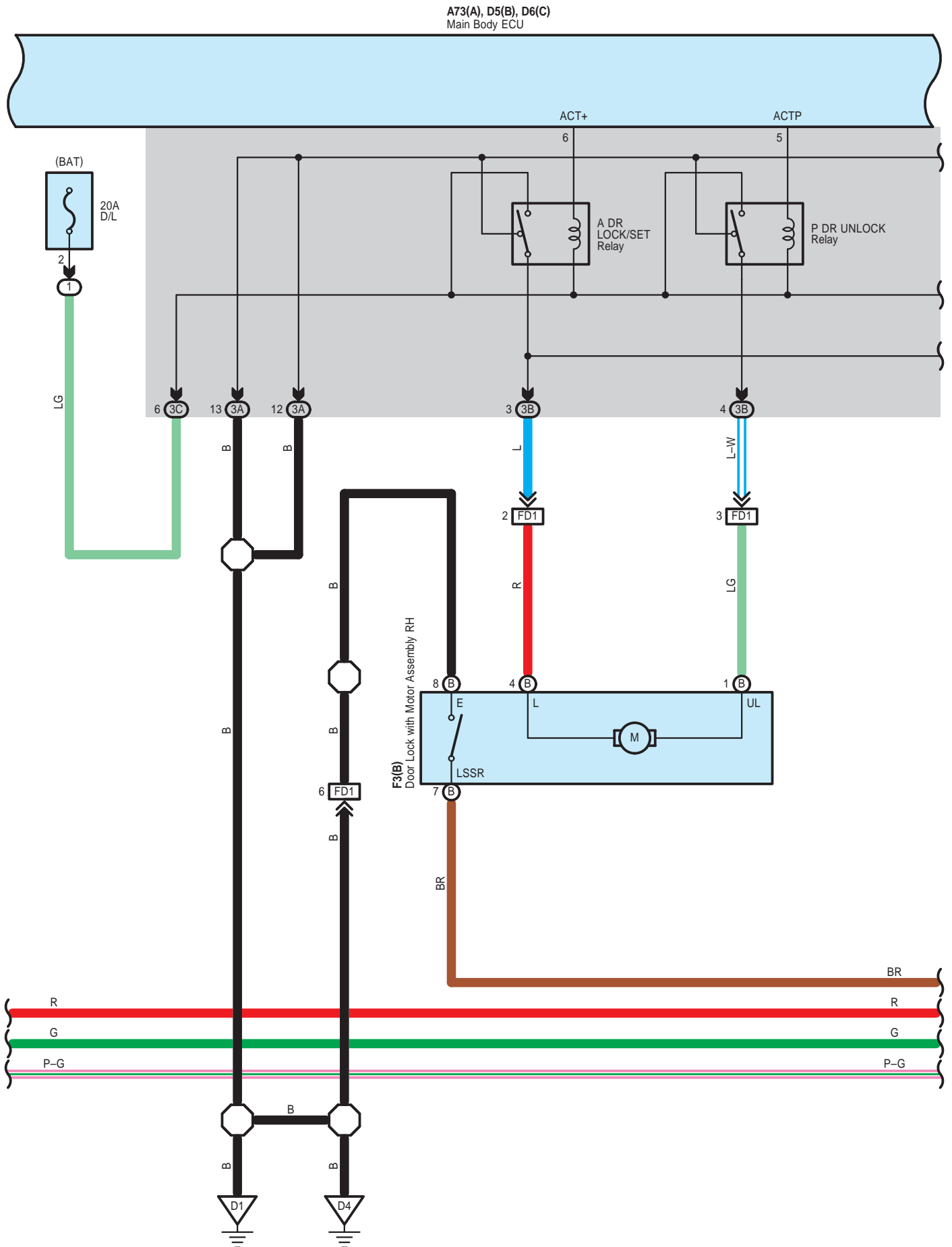


A73(A), D5(B), D6(C)
Main Body ECU

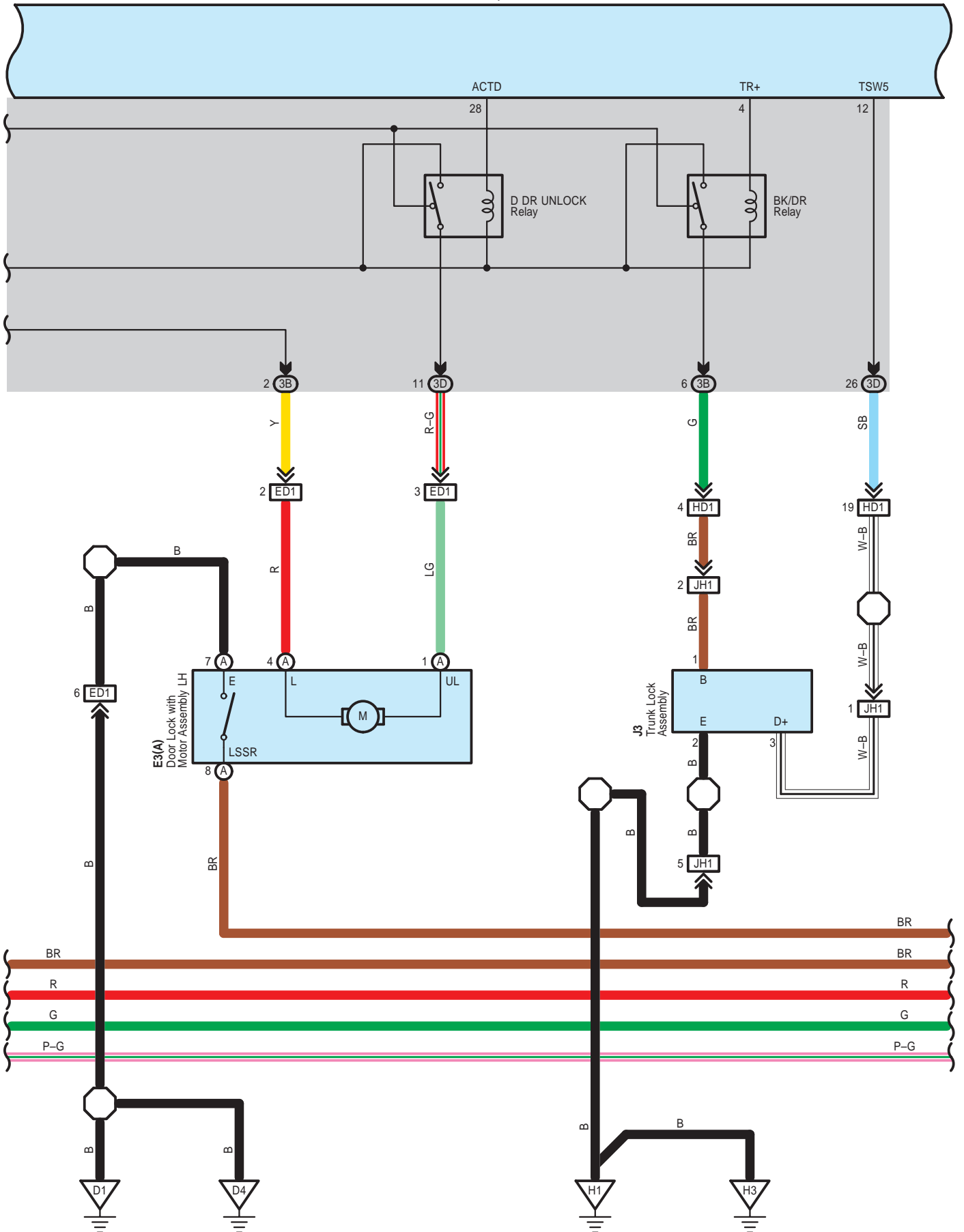


BRZ (G4420BE)

Engine Immobiliser System (w/ Smart Entry & Start System), Smart Entry & Start System, Starting (w/ Smart Entry & Start System), Steering Lock (w/ Smart Entry & Start System) and Wireless Door Lock Control (w/ Smart Entry & Start System)

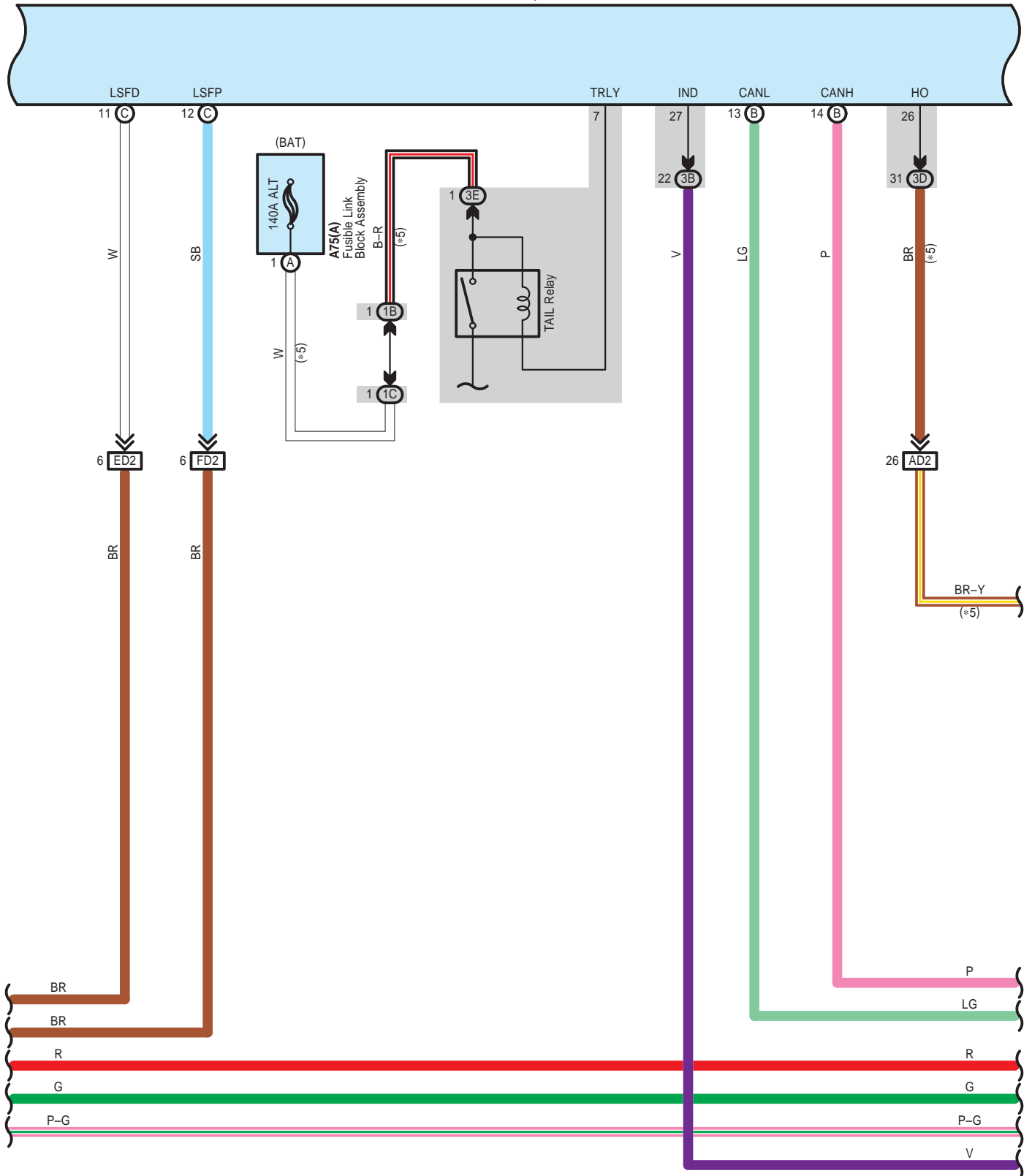


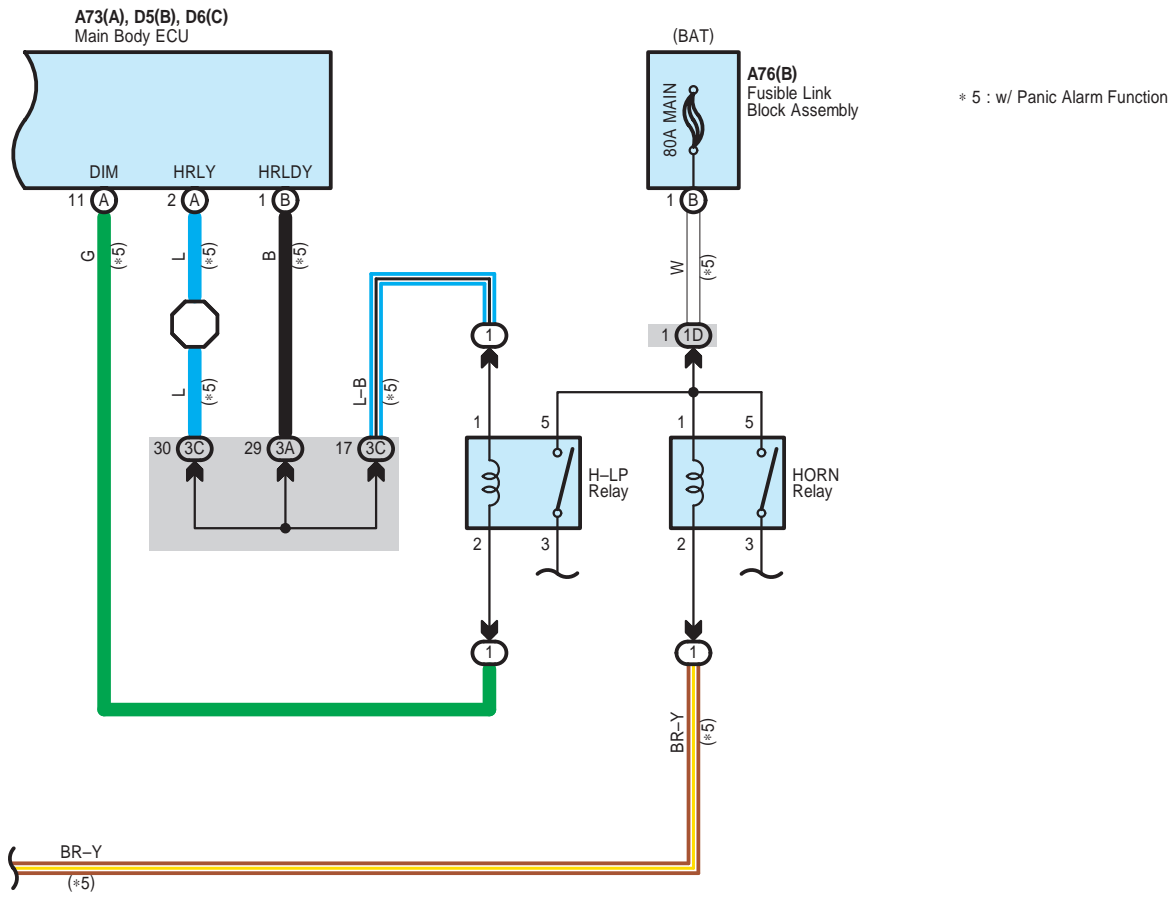
A73(A), D5(B), D6(C)
Main Body ECU



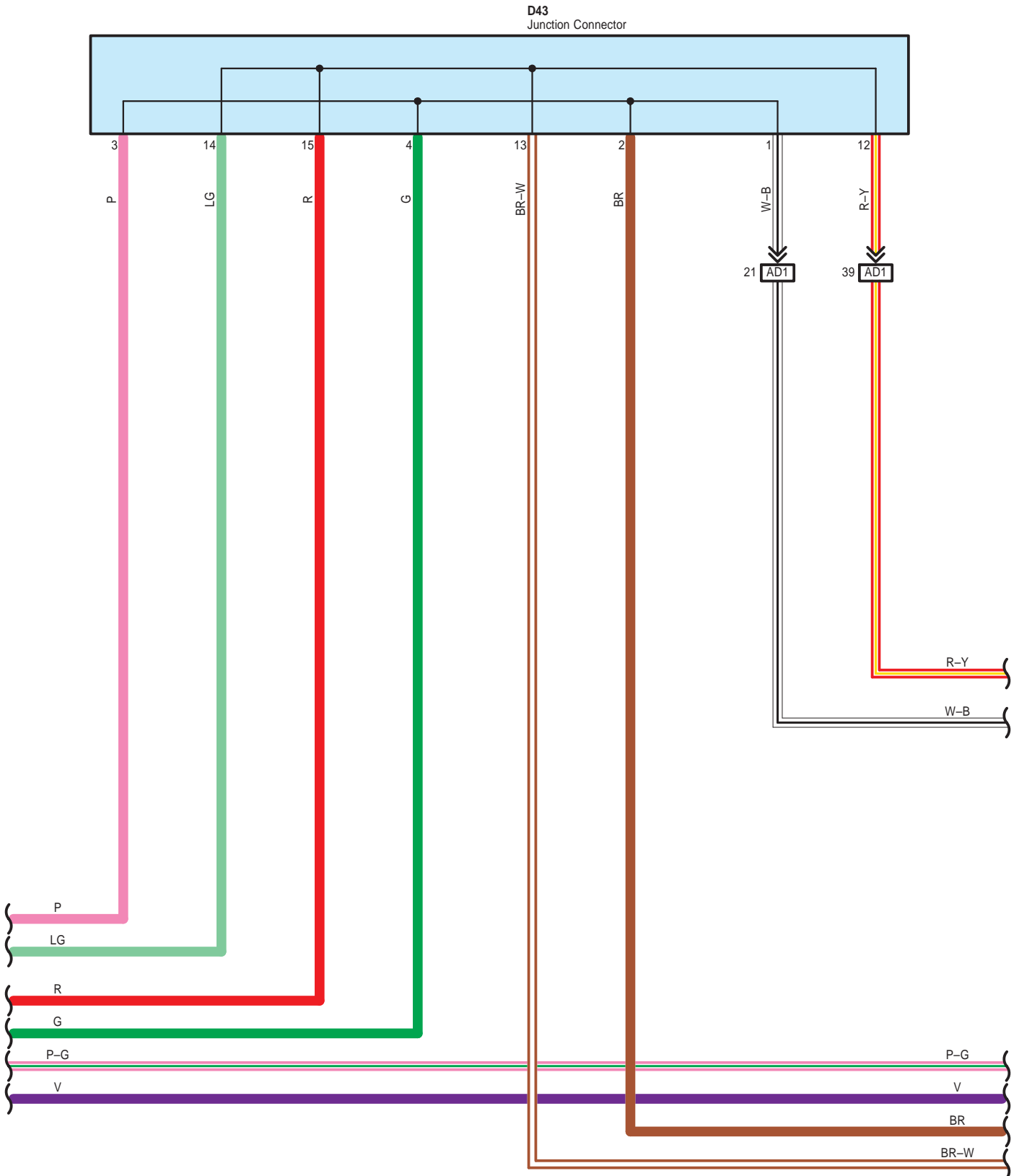
Engine Immobiliser System (w/ Smart Entry & Start System), Smart Entry & Start System, Starting (w/ Smart Entry & Start System), Steering Lock (w/ Smart Entry & Start System) and Wireless Door Lock Control (w/ Smart Entry & Start System)

A73(A), D5(B), D6(C)
Main Body ECU

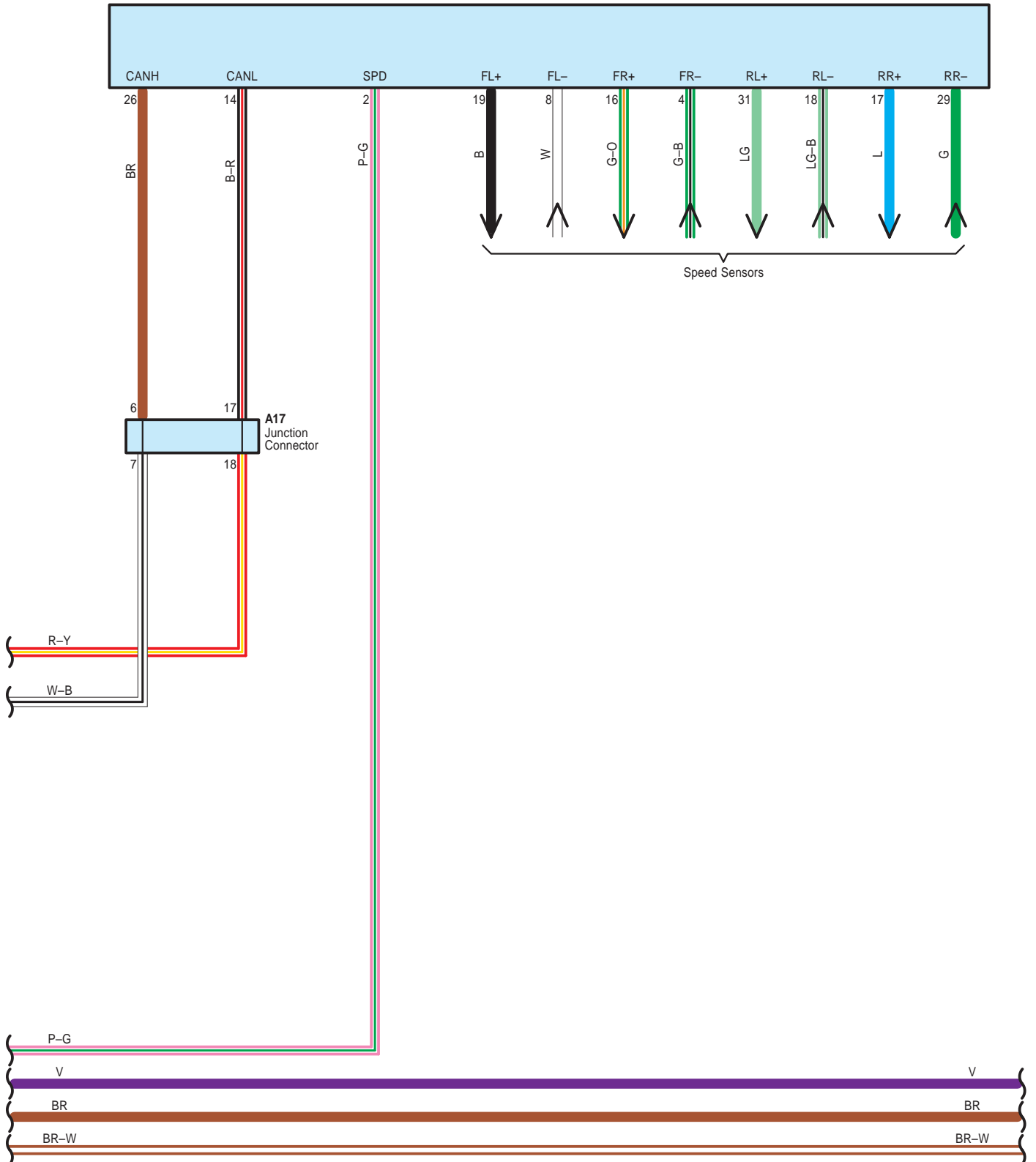




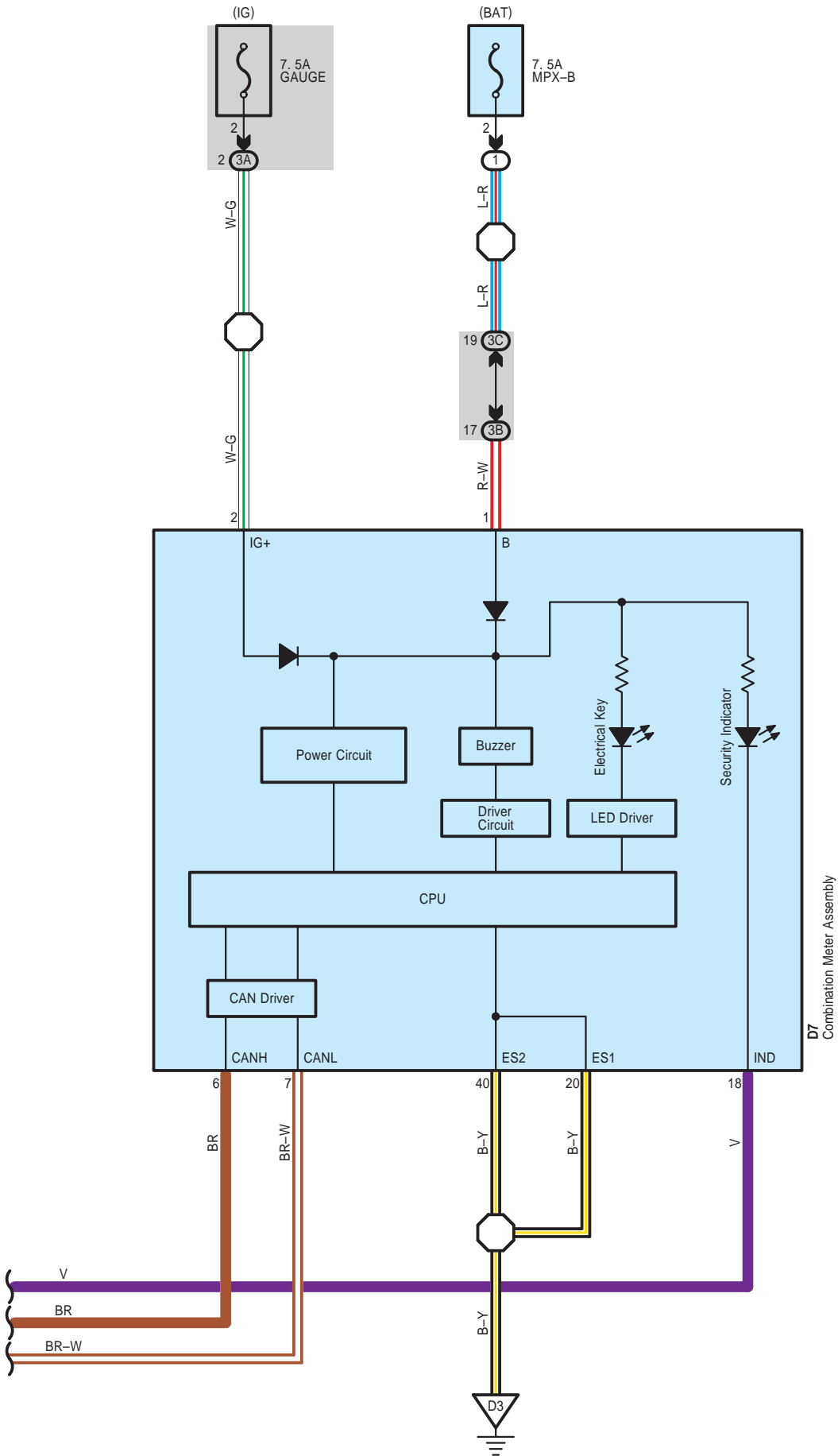
Engine Immobiliser System (w/ Smart Entry & Start System), Smart Entry & Start System, Starting (w/ Smart Entry & Start System), Steering Lock (w/ Smart Entry & Start System) and Wireless Door Lock Control (w/ Smart Entry & Start System)



A5
VSC (VDC) Control Module



Engine Immobiliser System (w/ Smart Entry & Start System), Smart Entry & Start System, Starting (w/ Smart Entry & Start System), Steering Lock (w/ Smart Entry & Start System) and Wireless Door Lock Control (w/ Smart Entry & Start System)



○ : Parts Location

Code			See Page			Code			See Page			Code			See Page								
A5			39			B2			B			39			D59			41					
A9			A			42			D5			B			40			D61			41		
A10			B			42			D6			C			40			E1			44		
A13			42			D7			40			E3			A			44					
A17			42			D8			A			40			F3			B			44		
A20			42			D9			B			40			F5			44					
A22			42			D16			A			40			G18			44					
A30			42			D17			B			40			H3			45					
A33			A			42			D25			40			H9			45					
A35			C			42			D26			40			H15			45					
A37			42			D28			40			H21			45								
A54			39			D40			A			41			H26			A			45		
A63			39			D41			B			41			H28			B			45		
A73			A			42			D43			41			J2			45					
A75			A			36, 39			D46			A			41			J3			45		
A76			B			36, 39			D47			B			41			K3			45		
B1			A			39			D48			C			41			L2			39		

○ : Relay Blocks

Code	See Page	Relay Blocks (Relay Block Location)
1	24	Engine Room R/B (Engine Compartment Right)

○ : Junction Block and Wire Harness Connector

Code	See Page	Junction Block and Wire Harness (Connector Location)
1B	24	Engine Room Main Wire and Engine Room J/B (Engine Compartment Right)
1C		
1D		
3A	26	Instrument Panel Wire and Instrument Panel J/B Assembly (Instrument Panel Reinforcement)
3B		
3C	26	Engine Room Main Wire and Instrument Panel J/B Assembly (Instrument Panel Reinforcement)
3D	26	Instrument Panel Wire and Instrument Panel J/B Assembly (Instrument Panel Reinforcement)
3E	26	Engine Room Main Wire and Instrument Panel J/B Assembly (Instrument Panel Reinforcement)

□ : Connector Joining Wire Harness and Wire Harness

Code	See Page	Joining Wire Harness and Wire Harness (Connector Location)
AB1	46	Engine Room Main Wire and No. 2 Engine Room Wire (Engine Unit)
AD1	47	Engine Room Main Wire and Instrument Panel Wire (Cowl Side Panel LH)
AD2	47	Engine Room Main Wire and Instrument Panel Wire (Cowl Side Panel RH)
AL2	46	Engine Room Main Wire and Transmission Wire (Dash Panel)
DK1	47	Instrument Panel Wire and Roof Wire (Front Body Inner Pillar RH)
ED1	47	Front Door Wire LH and Instrument Panel Wire (Cowl Side Panel LH)
ED2		
FD1	47	Front Door Wire RH and Instrument Panel Wire (Cowl Side Panel RH)
FD2		
GD1	47	No. 1 Floor Wire and Instrument Panel Wire (Cowl Side Panel RH)
HD1	47	No. 2 Floor Wire and Instrument Panel Wire (Cowl Side Panel LH)
JH1	48	Trunk Wire and No. 2 Floor Wire (Quarter Panel LH)

▽ : Ground Points

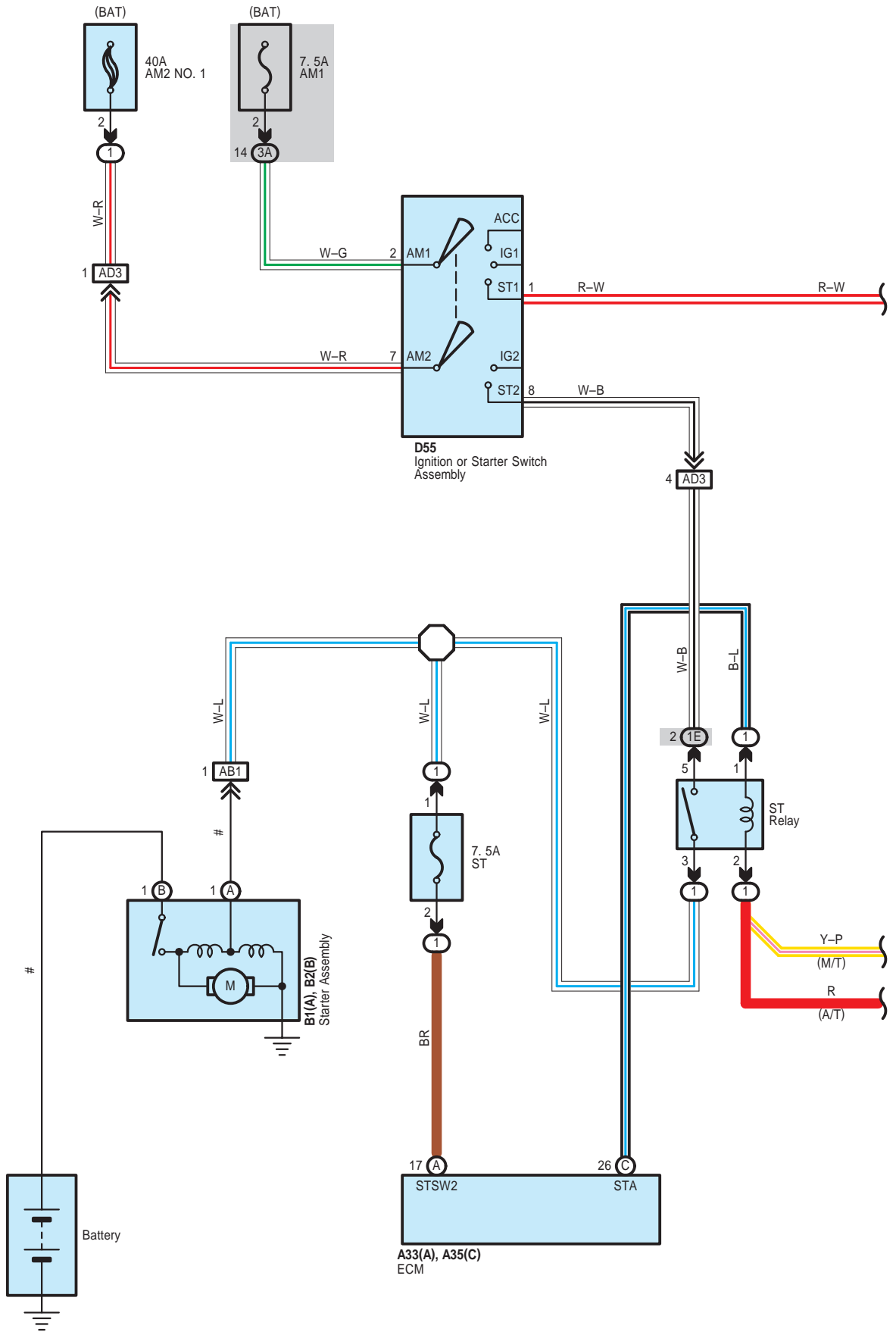
Code	See Page	Ground Points Location
A1	46	Front Fender Apron LH
A3	47	Cowl Side Panel RH
A7	46	Front Fender Apron RH
D1	47	Cowl Side Panel LH
D3	47	Instrument Panel Brace RH
D4	47	Cowl Side Panel RH

Engine Immobiliser System (w/ Smart Entry & Start System), Smart Entry & Start System, Starting (w/ Smart Entry & Start System), Steering Lock (w/ Smart Entry & Start System) and Wireless Door Lock Control (w/ Smart Entry & Start System)

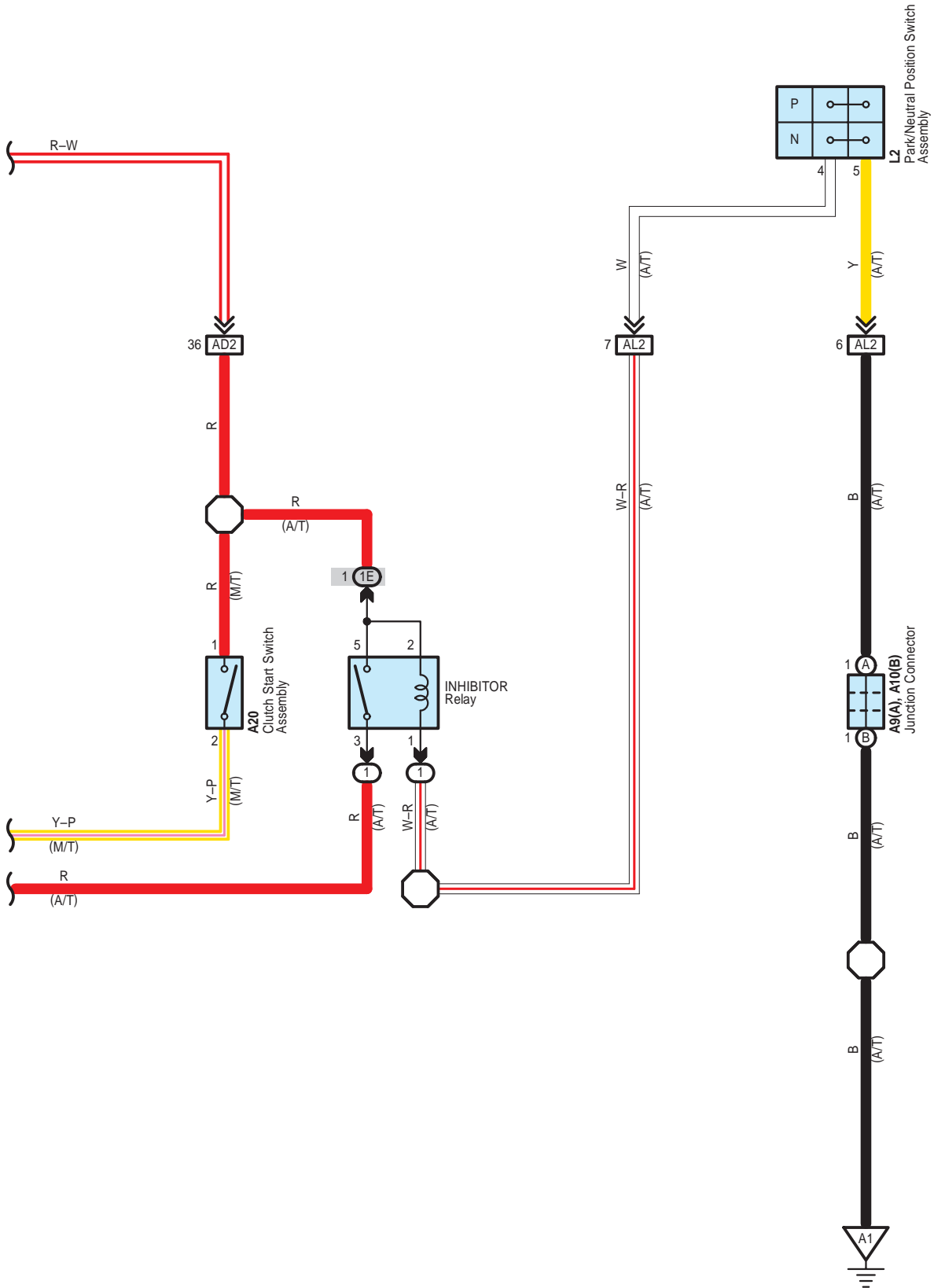
 : **Ground Points**

Code	See Page	Ground Points Location
H1	48	Lower Back Panel
H3	48	Quarter Wheel House Panel LH

Starting (w/o Smart Entry & Start System)



:There is no wire color information.



BRZ (G4420BE)

Starting (w/o Smart Entry & Start System)

: Parts Location

Code		See Page	Code		See Page	Code		See Page
A9	A	42	A33	A	42	B2	B	39
A10	B	42	A35	C	42	D55		41
A20		42	B1	A	39	L2		39

: Relay Blocks

Code	See Page	Relay Blocks (Relay Block Location)
1	24	Engine Room R/B (Engine Compartment Right)

: Junction Block and Wire Harness Connector

Code	See Page	Junction Block and Wire Harness (Connector Location)
1E	24	Engine Room Main Wire and Engine Room J/B (Engine Compartment Right)
3A	26	Instrument Panel Wire and Instrument Panel J/B Assembly (Instrument Panel Reinforcement)

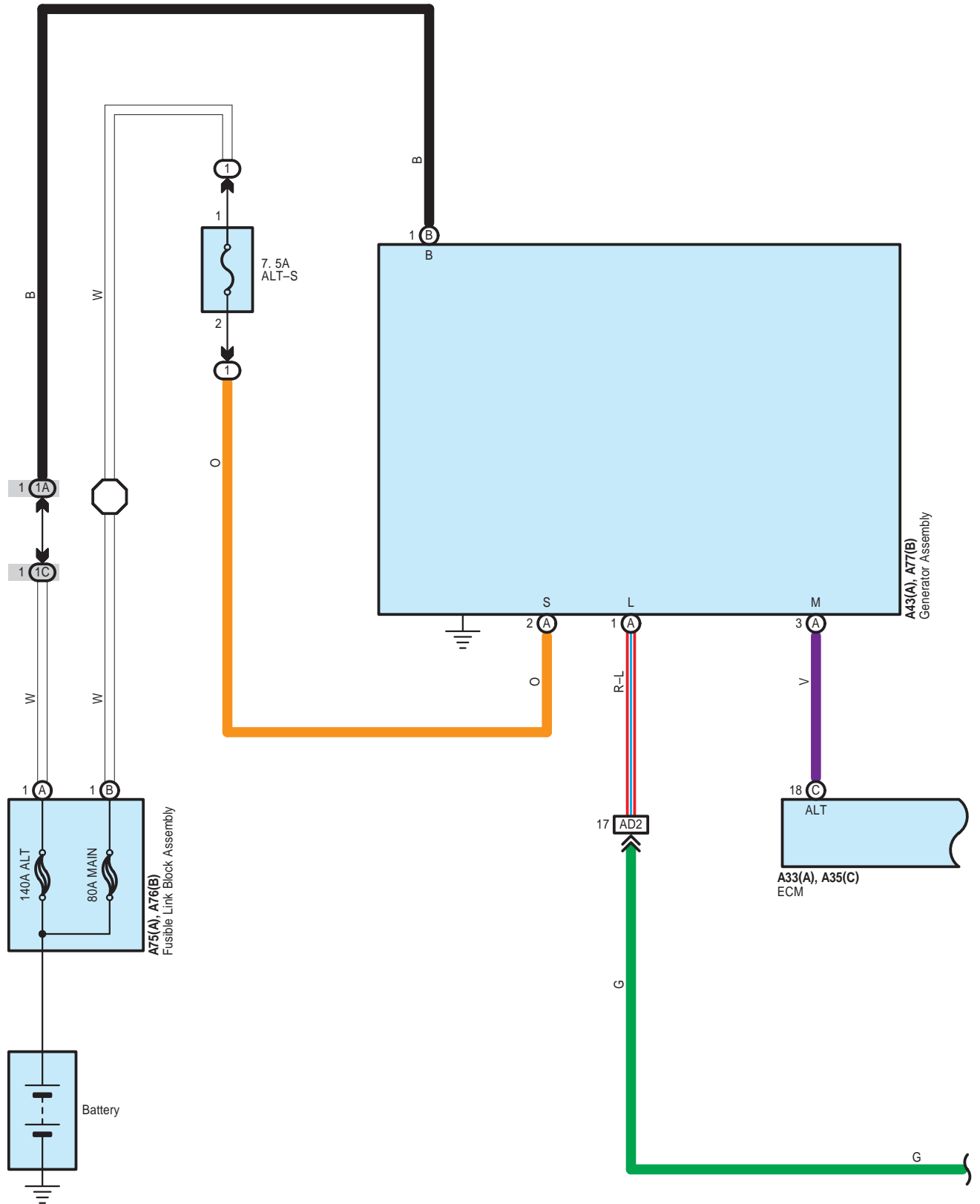
: Connector Joining Wire Harness and Wire Harness

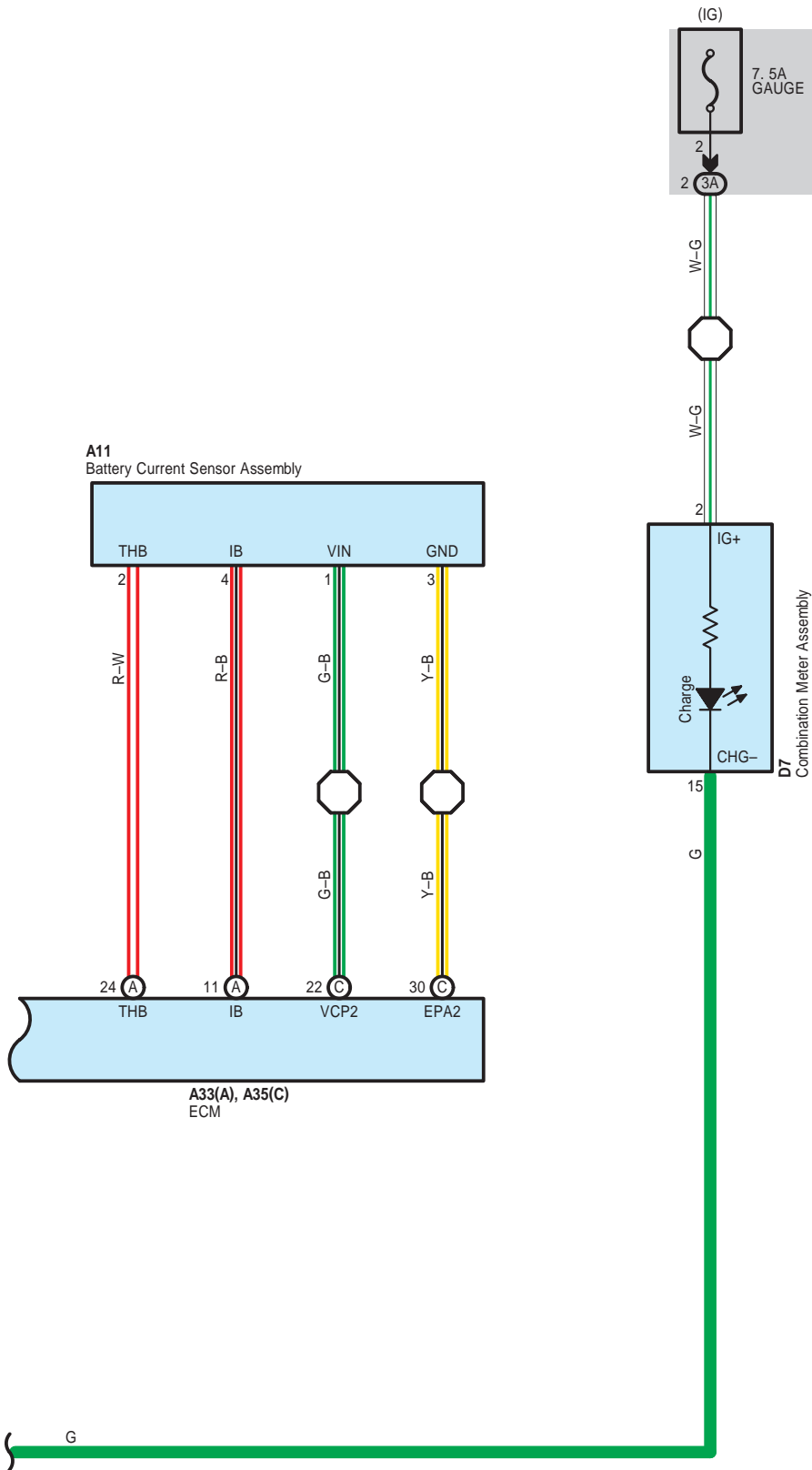
Code	See Page	Joining Wire Harness and Wire Harness (Connector Location)
AB1	46	Engine Room Main Wire and No. 2 Engine Room Wire (Engine Unit)
AD2	47	Engine Room Main Wire and Instrument Panel Wire (Cowl Side Panel RH)
AD3	47	Engine Room Main Wire and Instrument Panel Wire (Cowl Side Panel LH)
AL2	46	Engine Room Main Wire and Transmission Wire (Dash Panel)

: Ground Points

Code	See Page	Ground Points Location
A1	46	Front Fender Apron LH

Charging





Charging

: **Parts Location**

Code		See Page	Code		See Page	Code		See Page
A11		39	A43	A	39	A77	B	39
A33	A	42	A75	A	36, 39	D7		40
A35	C	42	A76	B	36, 39			

: **Relay Blocks**

Code	See Page	Relay Blocks (Relay Block Location)
1	24	Engine Room R/B (Engine Compartment Right)

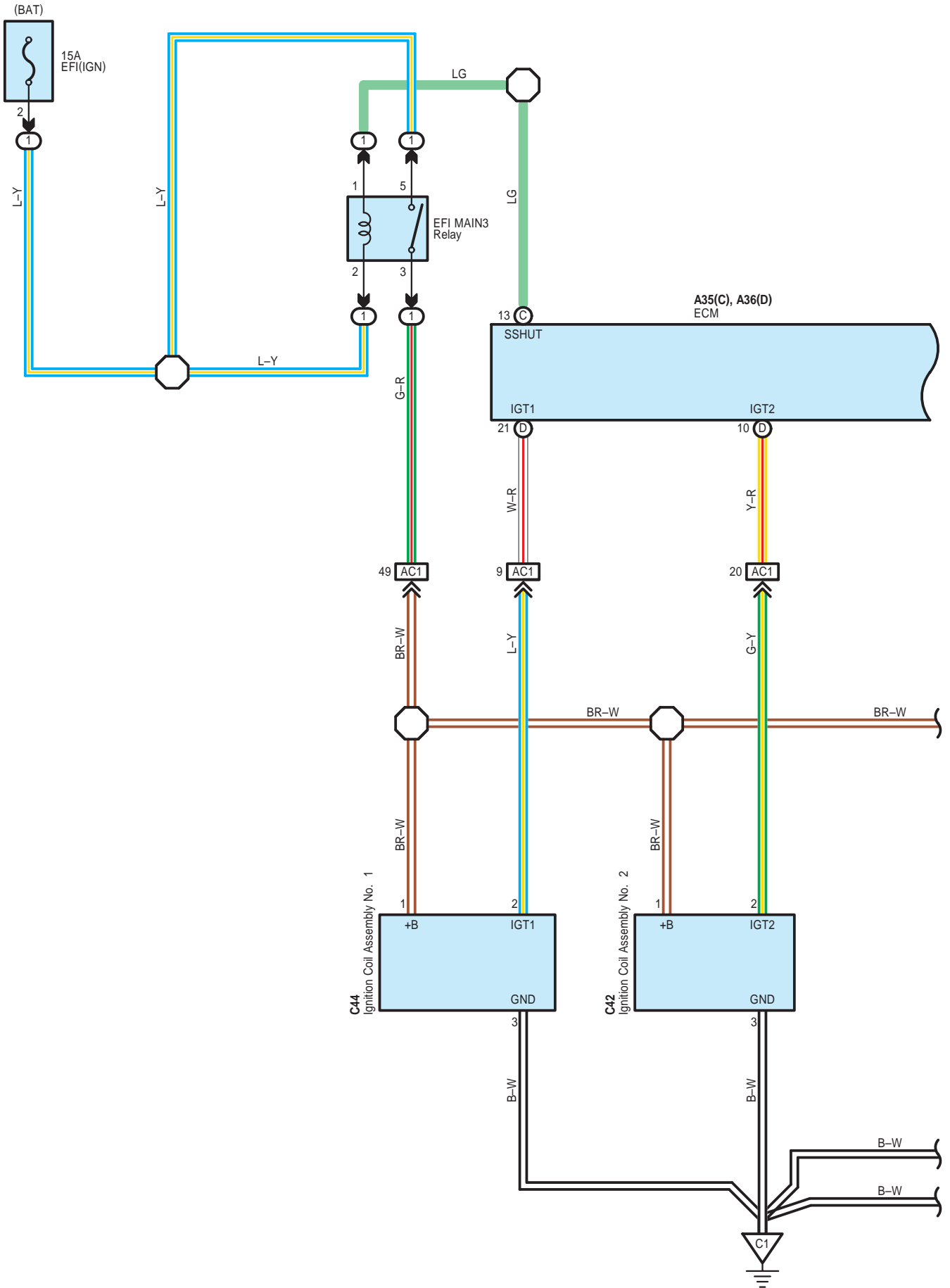
: **Junction Block and Wire Harness Connector**

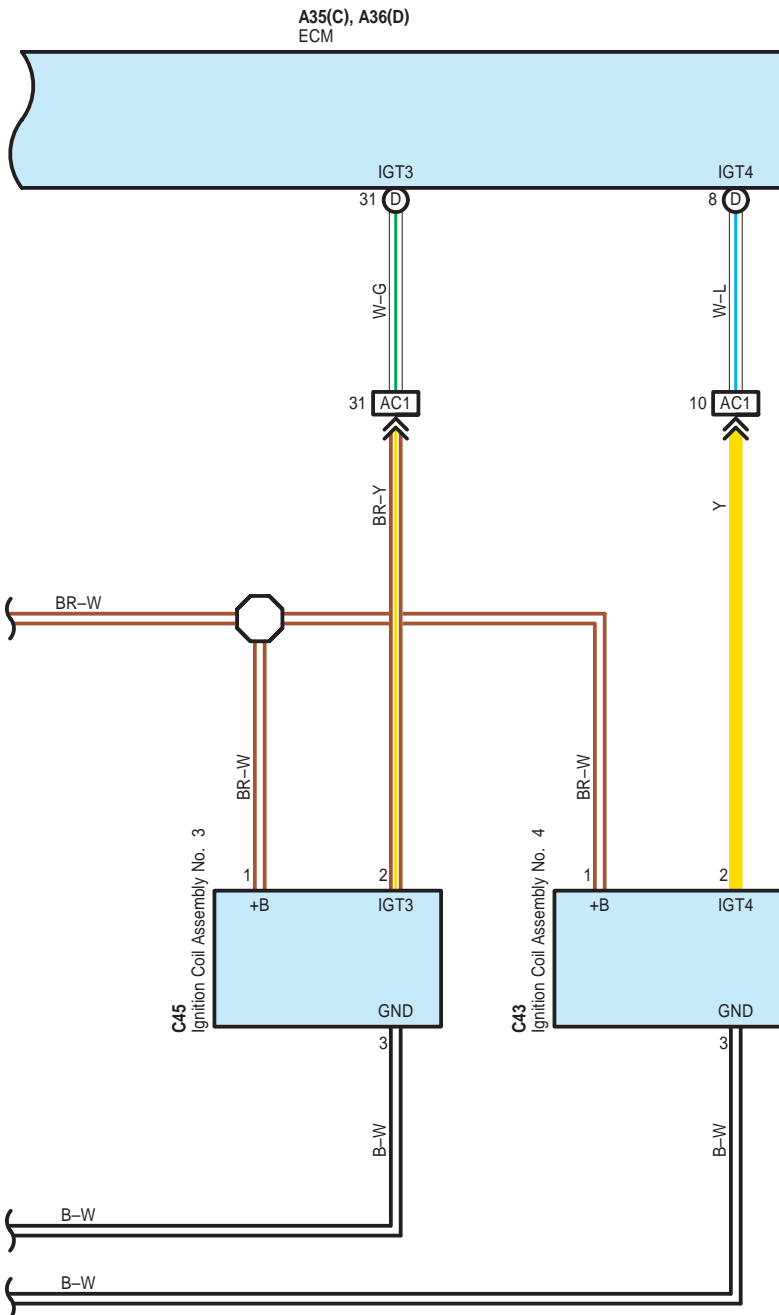
Code	See Page	Junction Block and Wire Harness (Connector Location)
1A	24	Engine Room Main Wire and Engine Room J/B (Engine Compartment Right)
1C		
3A	26	Instrument Panel Wire and Instrument Panel J/B Assembly (Instrument Panel Reinforcement)

: **Connector Joining Wire Harness and Wire Harness**

Code	See Page	Joining Wire Harness and Wire Harness (Connector Location)
AD2	47	Engine Room Main Wire and Instrument Panel Wire (Cowl Side Panel RH)

Ignition





Ignition

: Parts Location

Code		See Page	Code		See Page	Code		See Page
A35	C	42	C42	38	C44	38		
A36	D	42	C43	38	C45	38		

: Relay Blocks

Code	See Page	Relay Blocks (Relay Block Location)
1	24	Engine Room R/B (Engine Compartment Right)

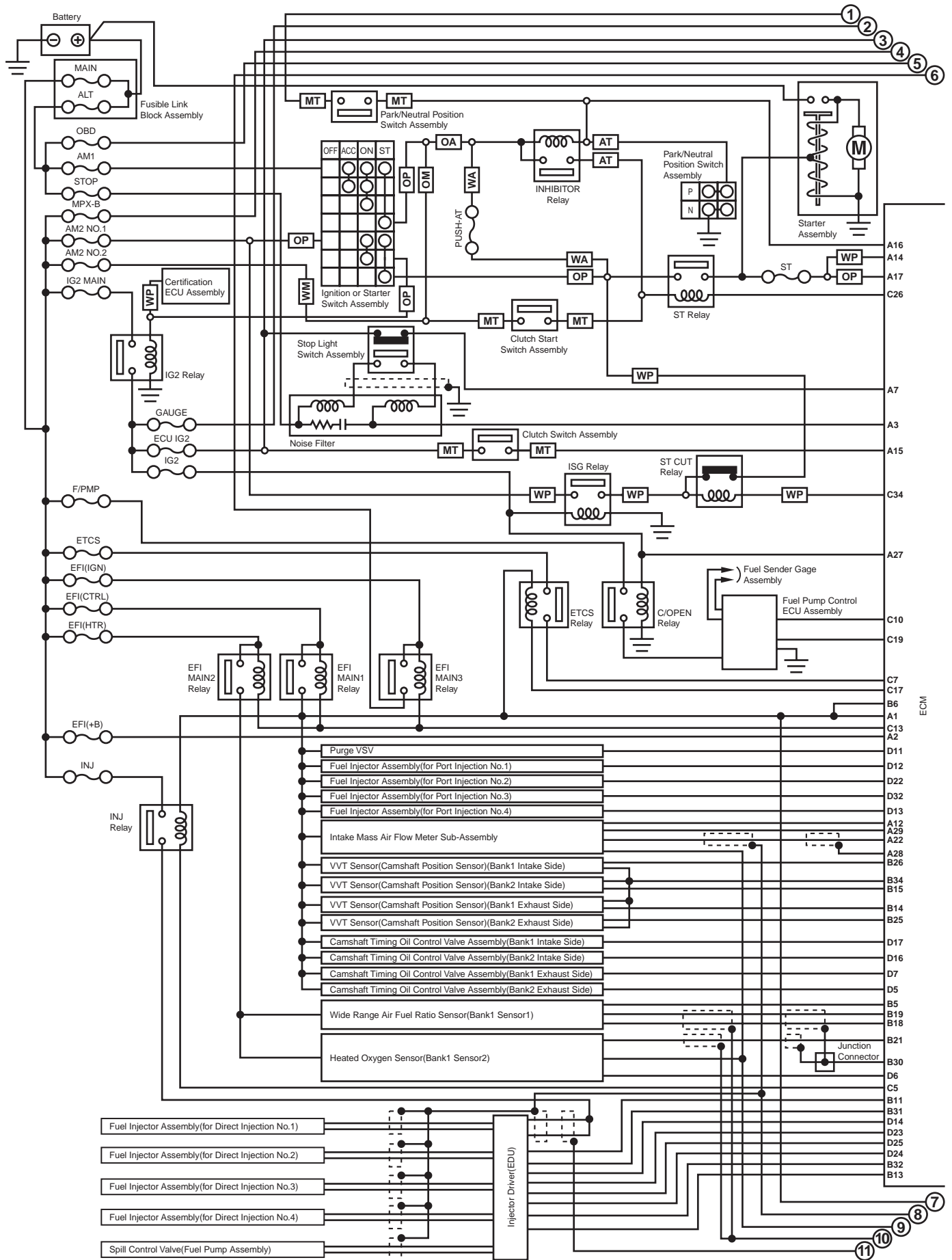
: Connector Joining Wire Harness and Wire Harness

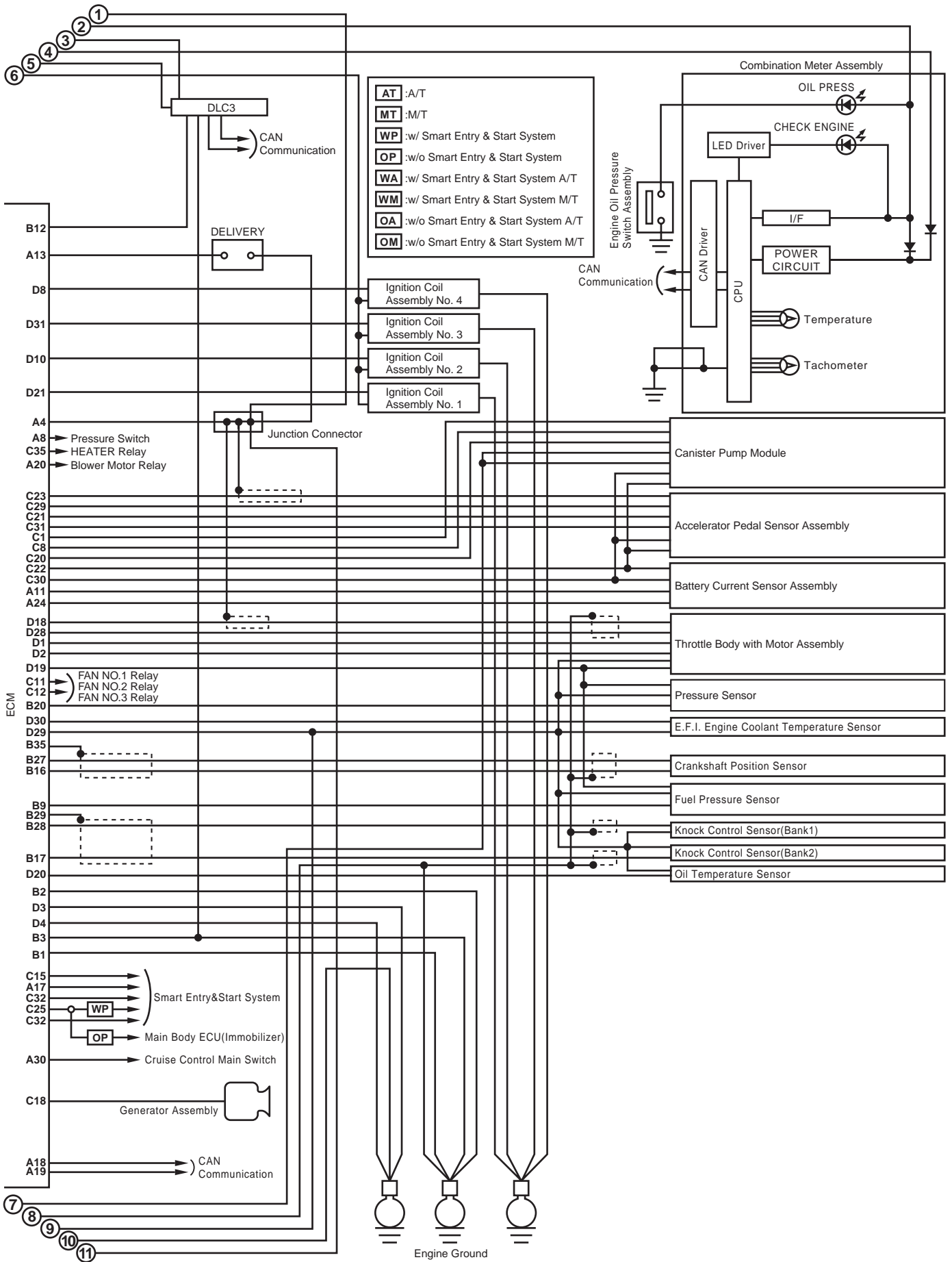
Code	See Page	Joining Wire Harness and Wire Harness (Connector Location)
AC1	46	Engine Room Main Wire and Engine Wire (Engine Unit)

: Ground Points

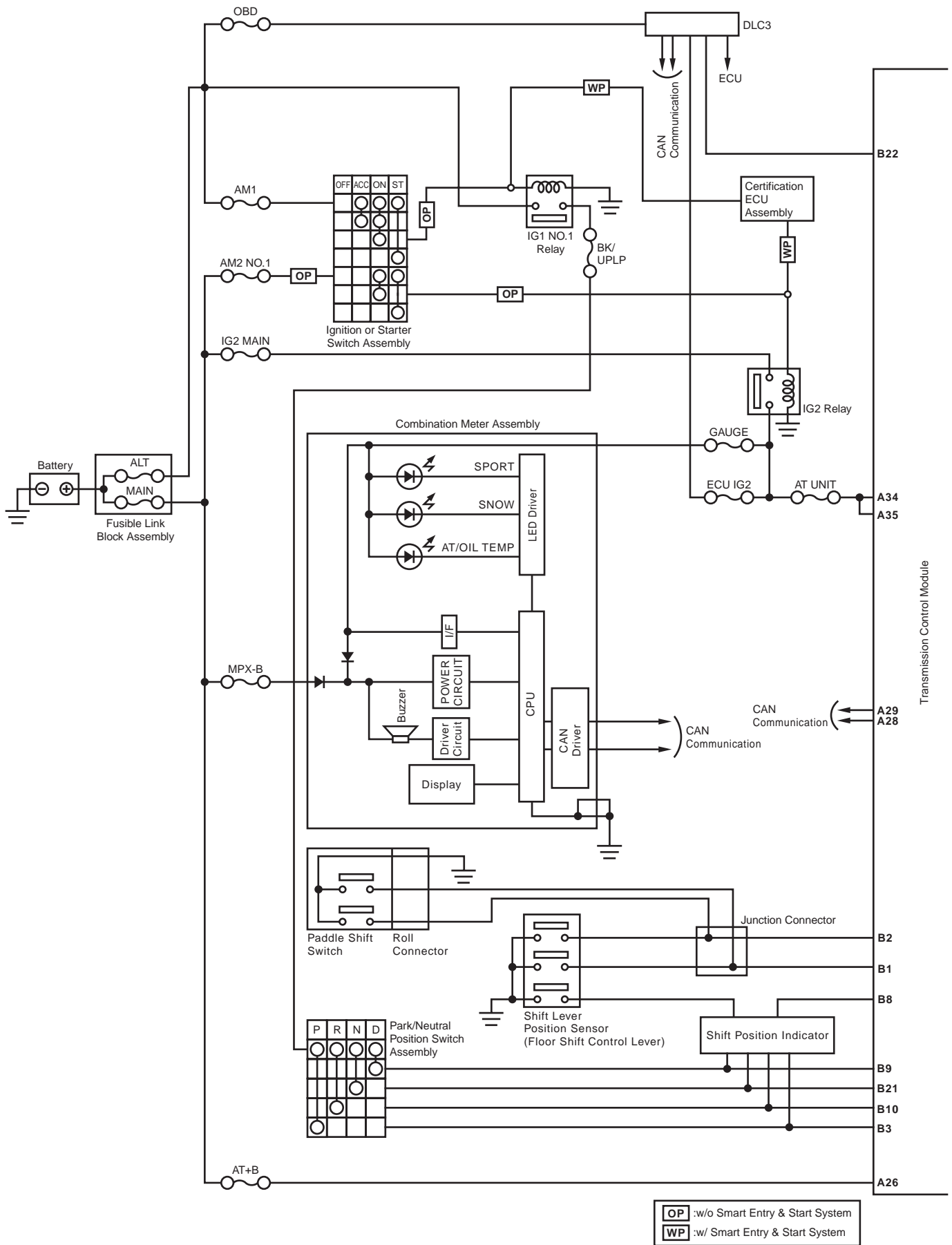
Code	See Page	Ground Points Location
C1	46	Engine Unit

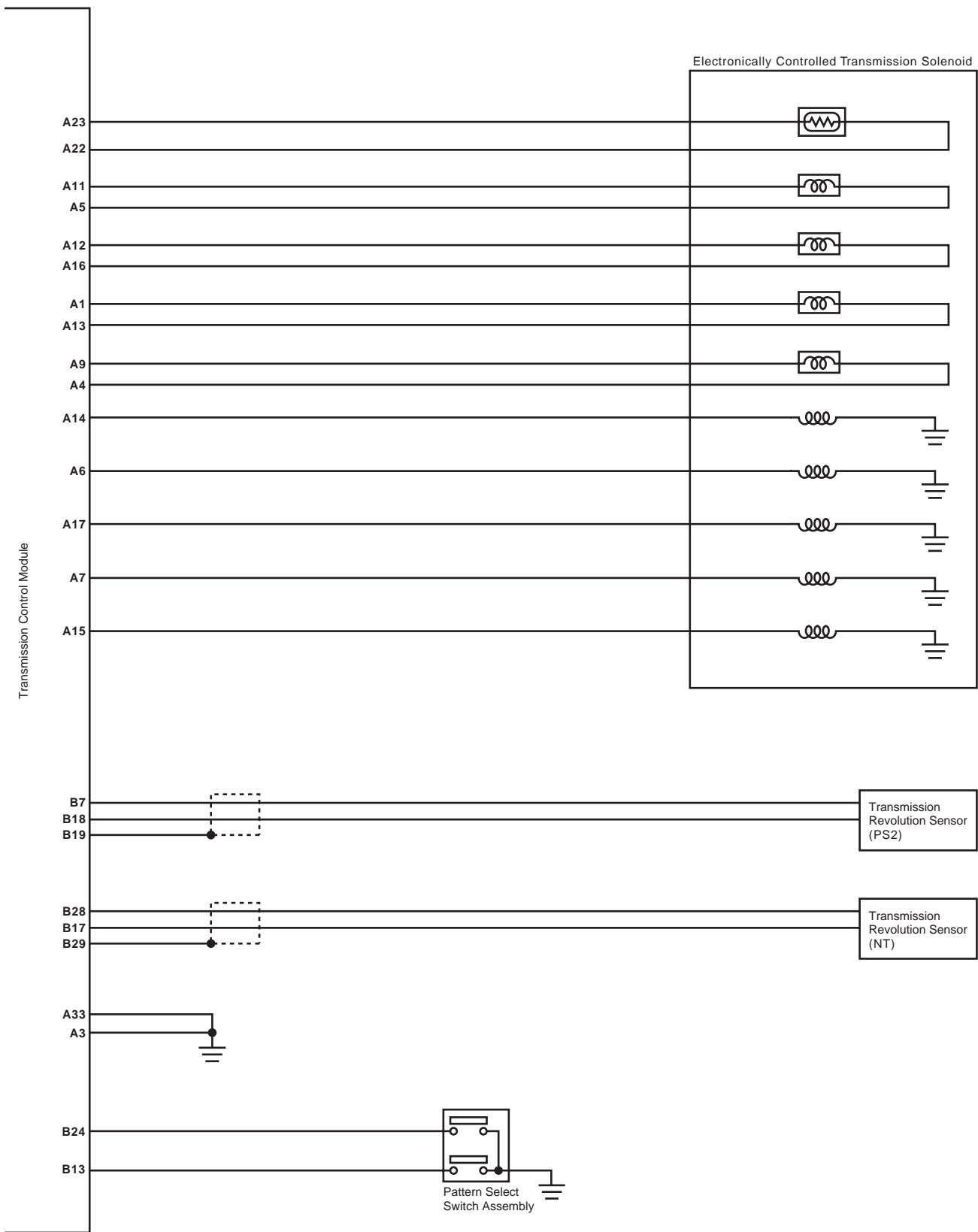
Cruise Control, Electronically Controlled Transmission and A/T Indicator (A/T), Engine Control, Shift Indicator (M/T) and Shift Lock



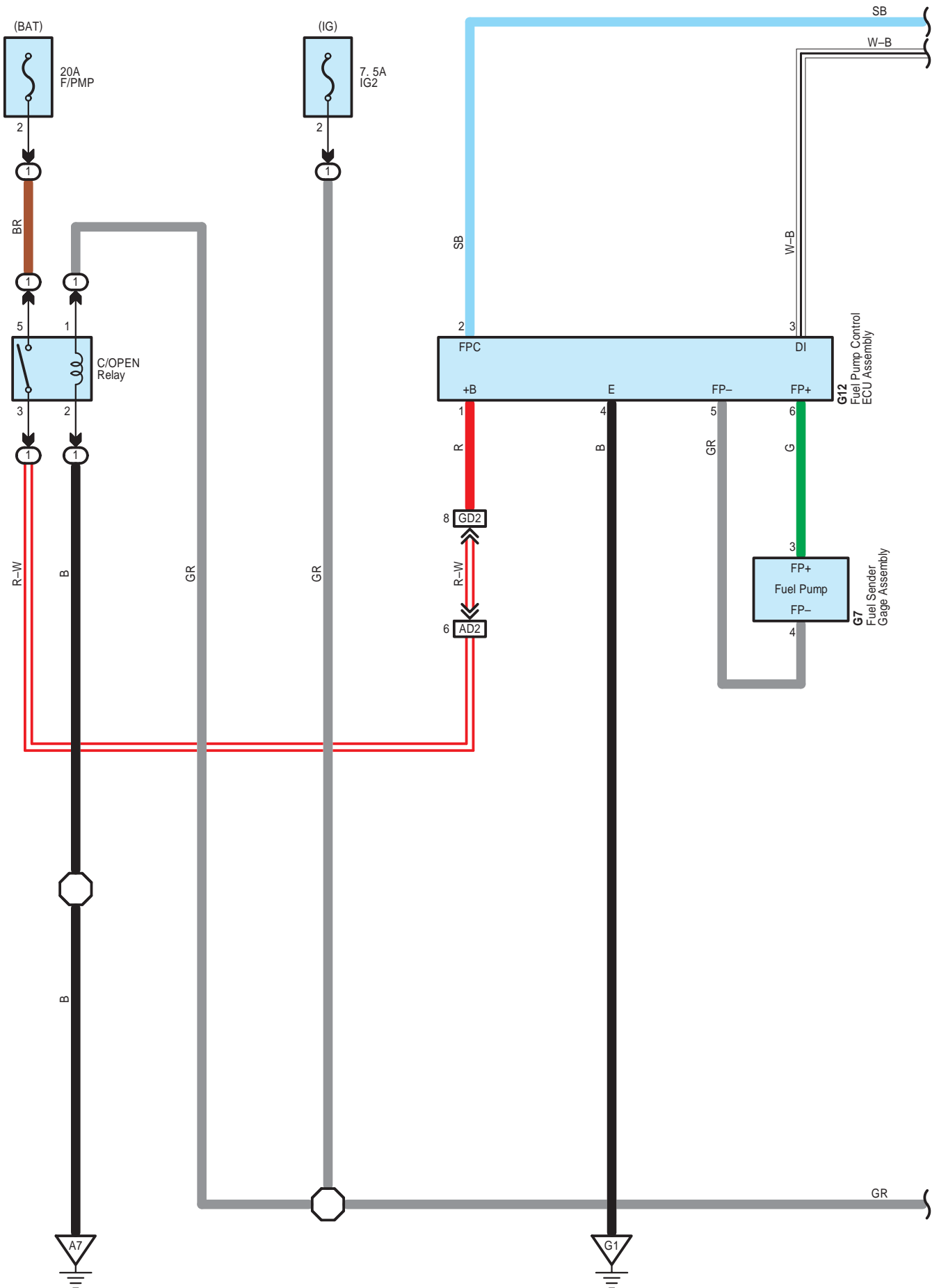


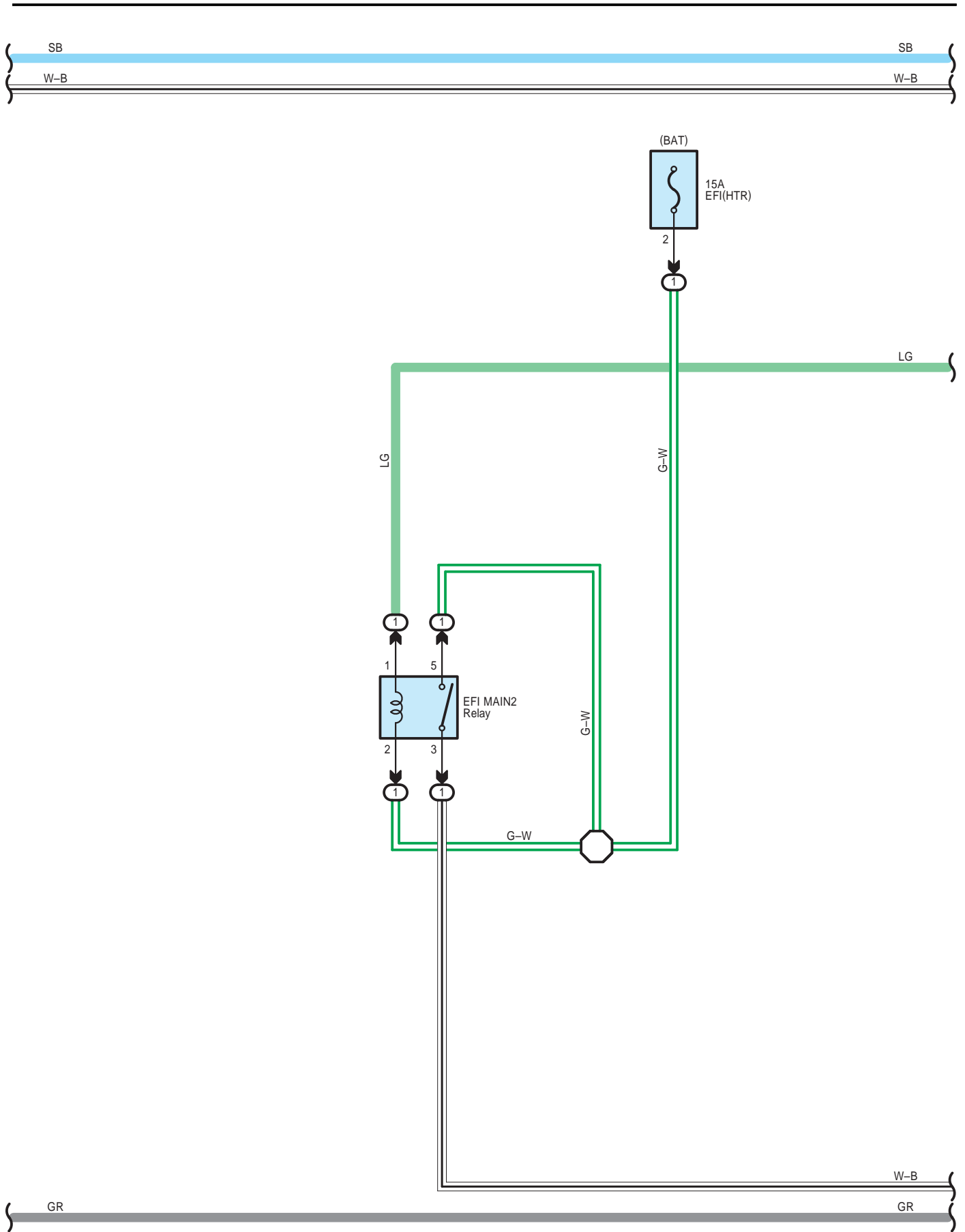
Cruise Control, Electronically Controlled Transmission and A/T Indicator (A/T), Engine Control, Shift Indicator (M/T) and Shift Lock



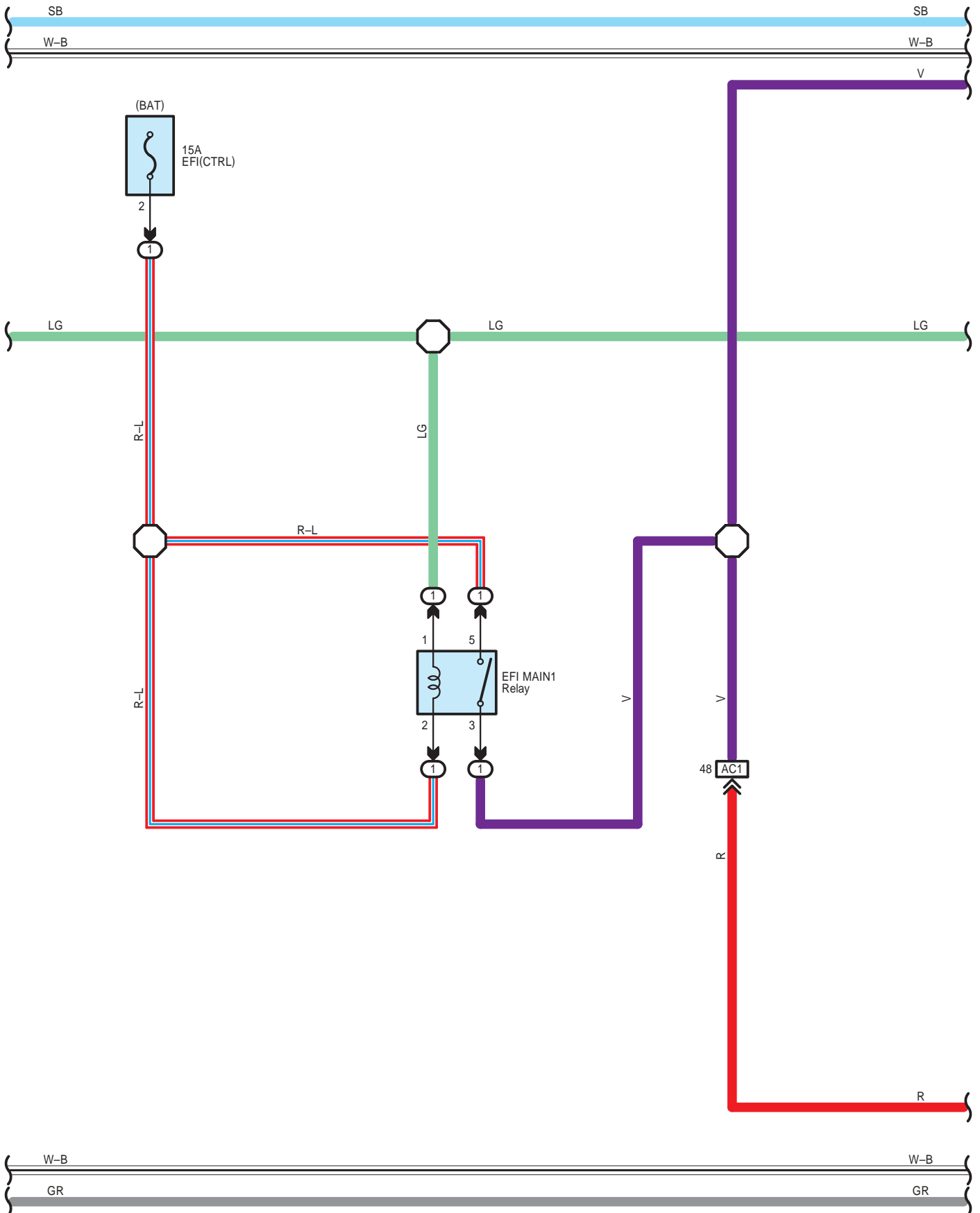


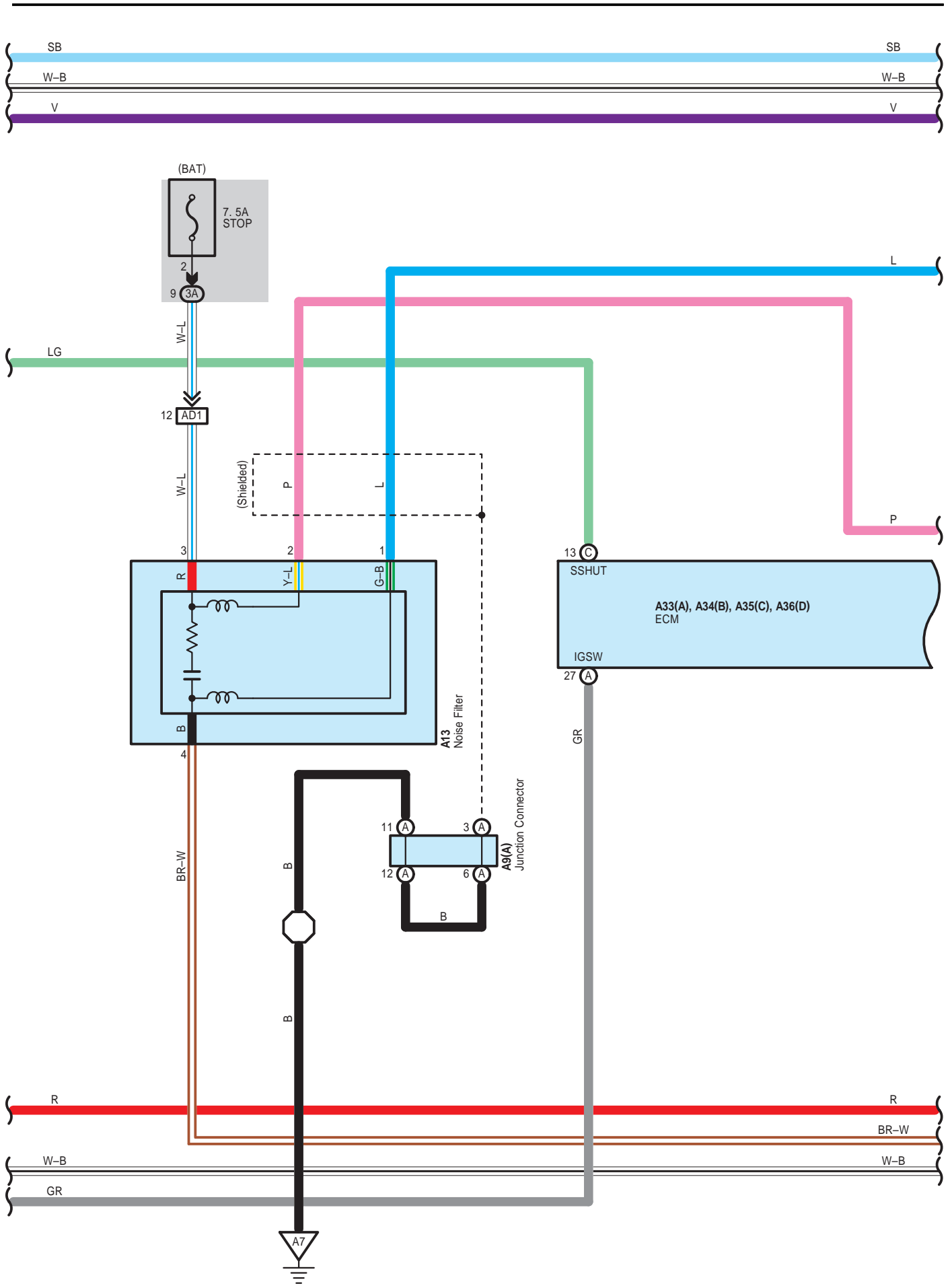
Cruise Control, Electronically Controlled Transmission and A/T Indicator (A/T), Engine Control, Shift Indicator (M/T) and Shift Lock



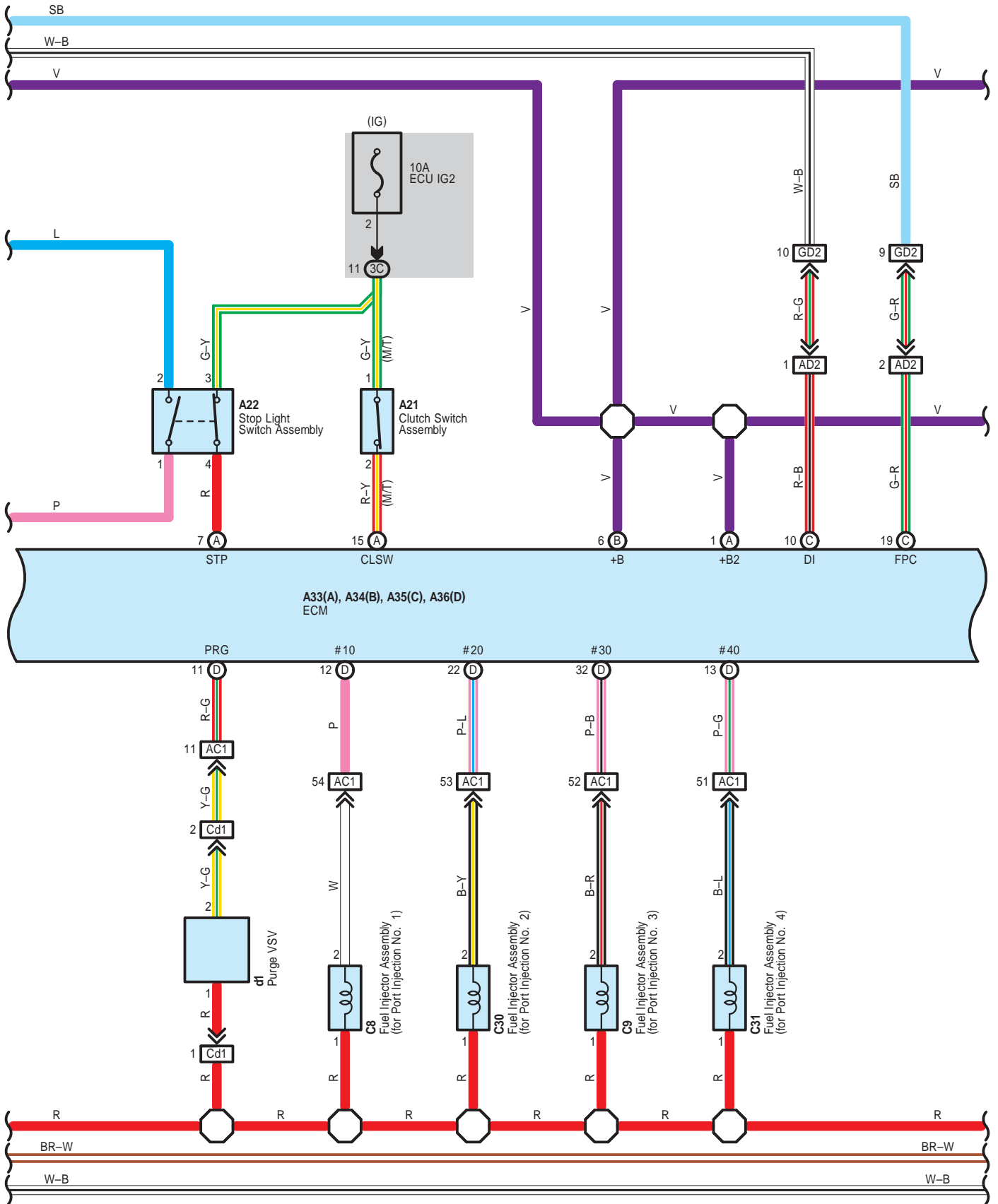


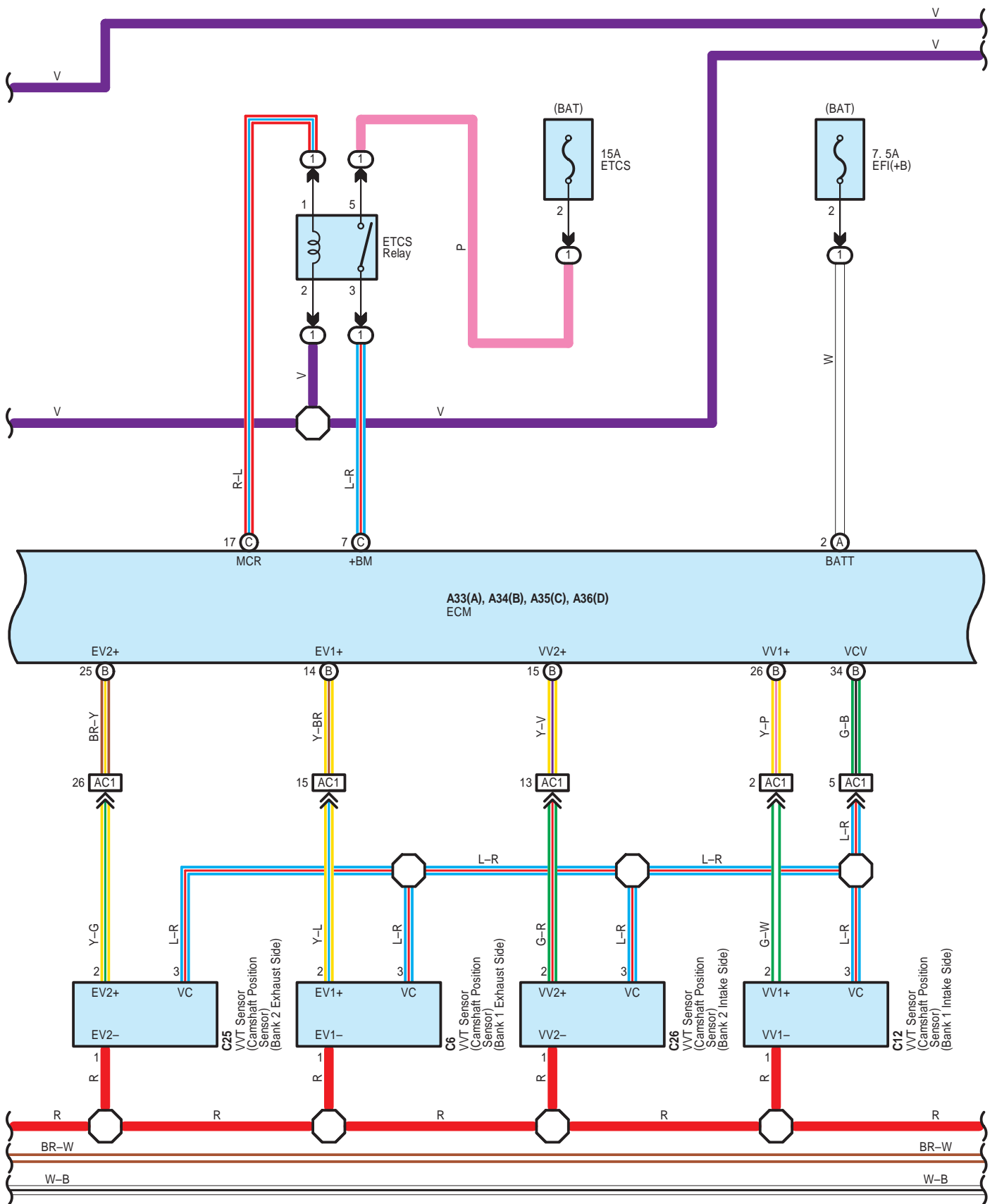
Cruise Control, Electronically Controlled Transmission and A/T Indicator (A/T), Engine Control, Shift Indicator (M/T) and Shift Lock



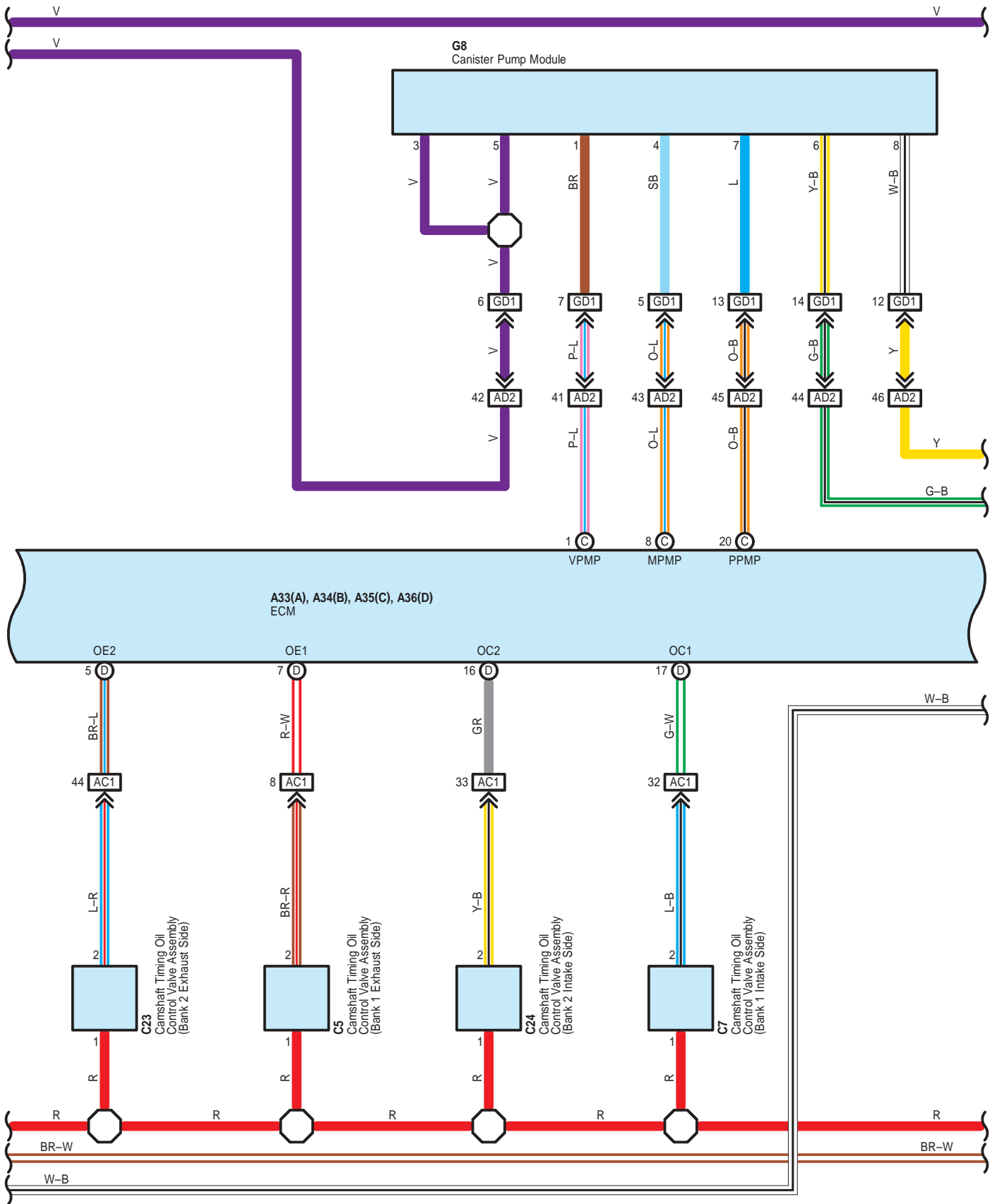


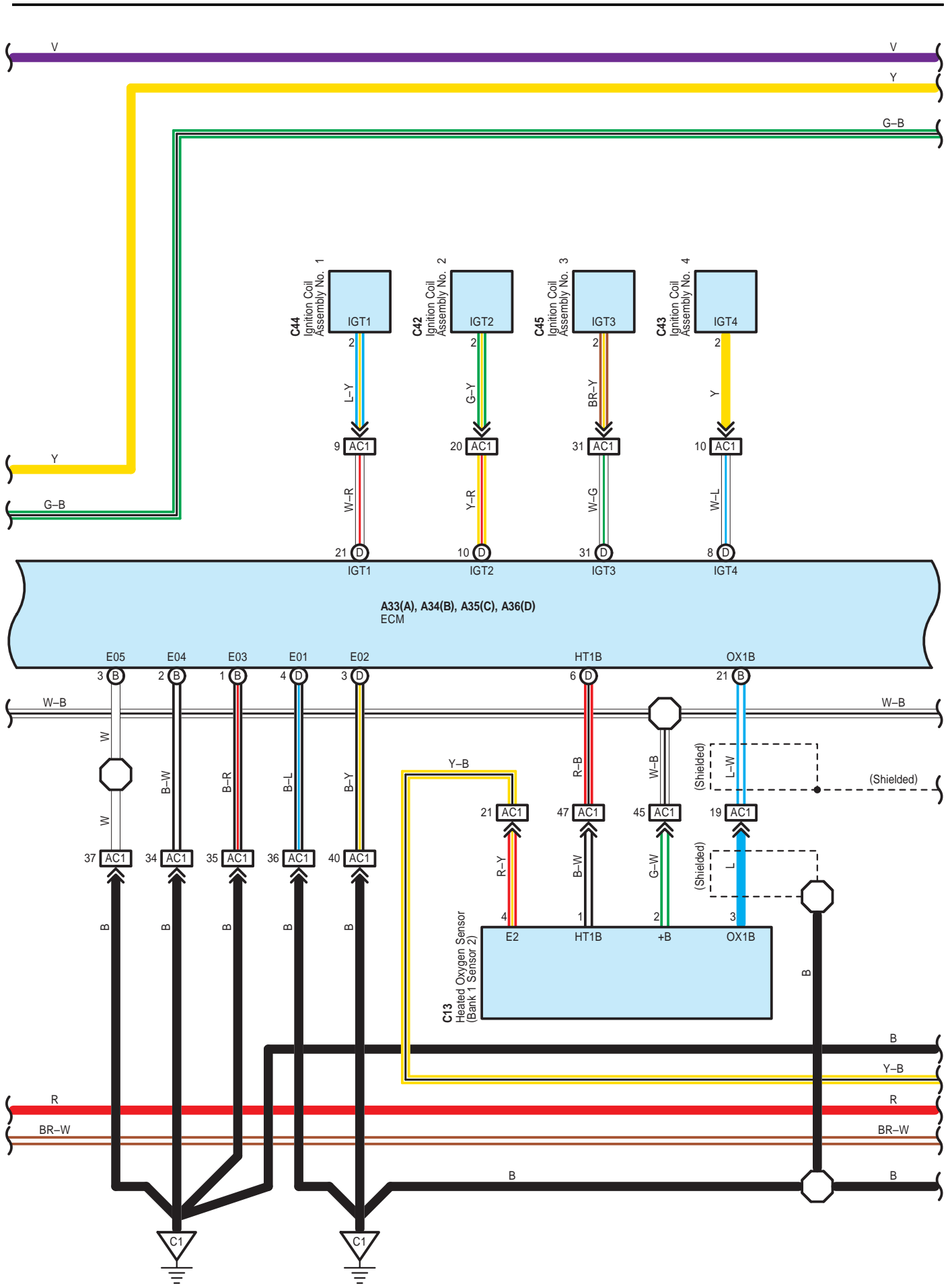
Cruise Control, Electronically Controlled Transmission and A/T Indicator (A/T), Engine Control, Shift Indicator (M/T) and Shift Lock



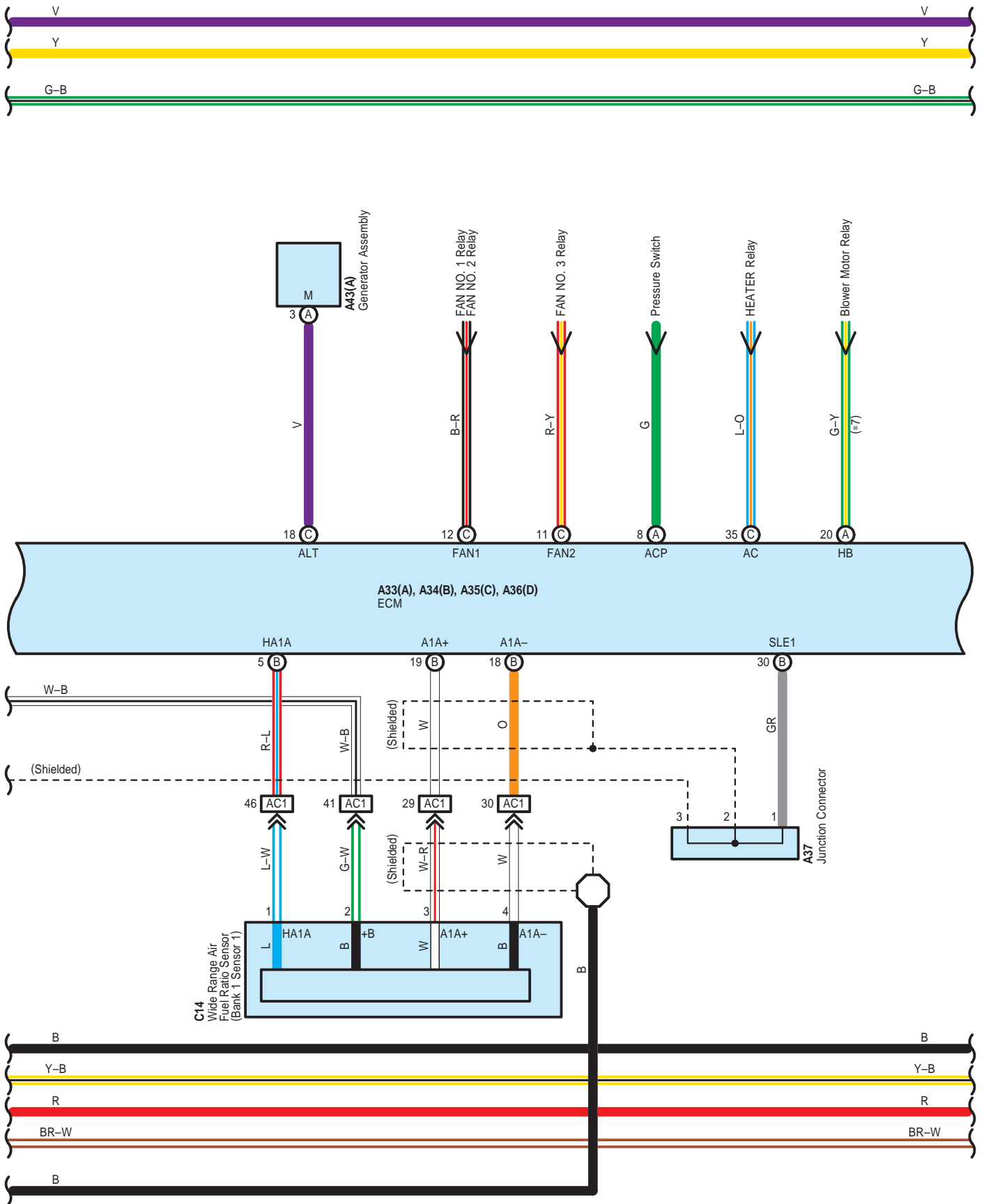


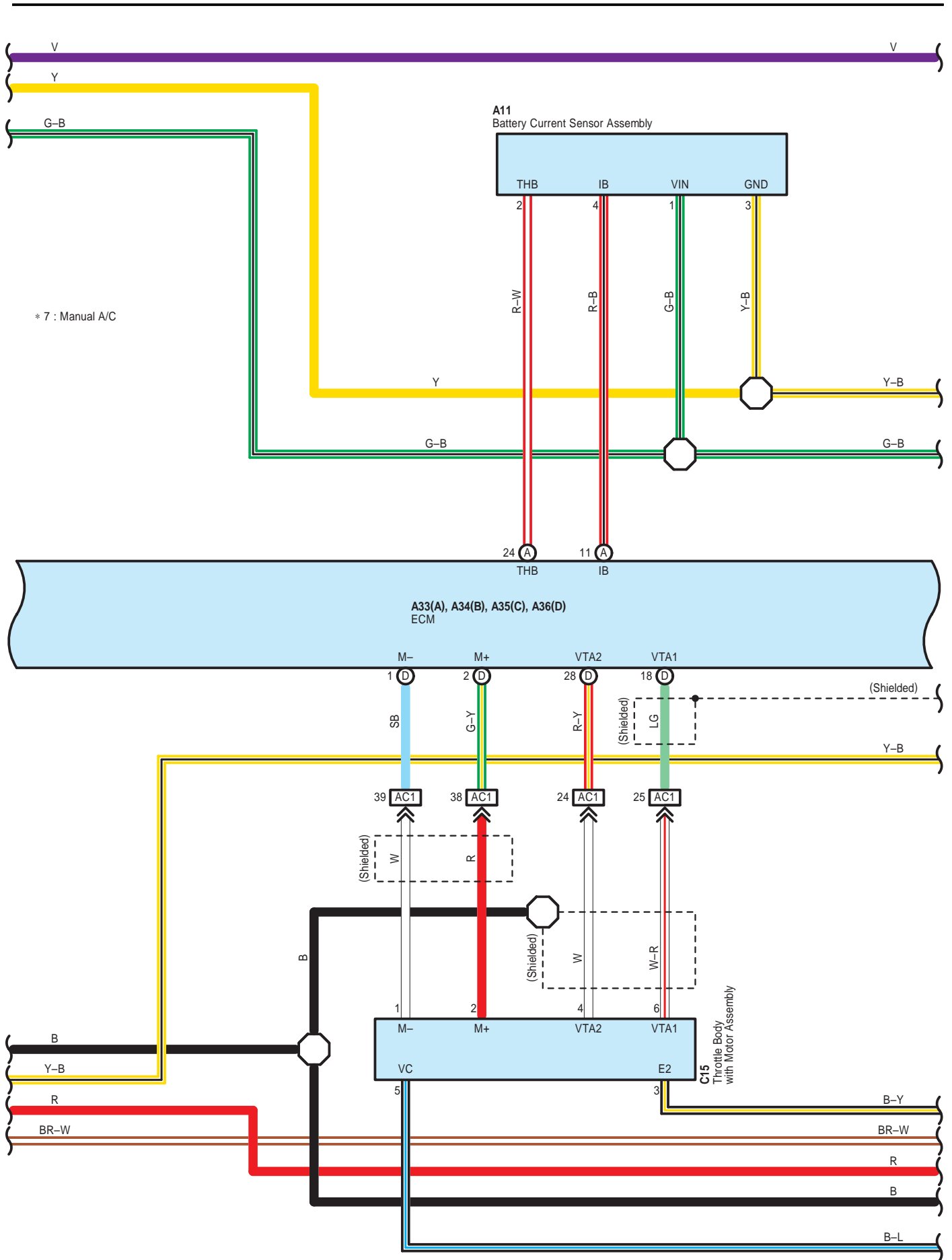
Cruise Control, Electronically Controlled Transmission and A/T Indicator (A/T), Engine Control, Shift Indicator (M/T) and Shift Lock



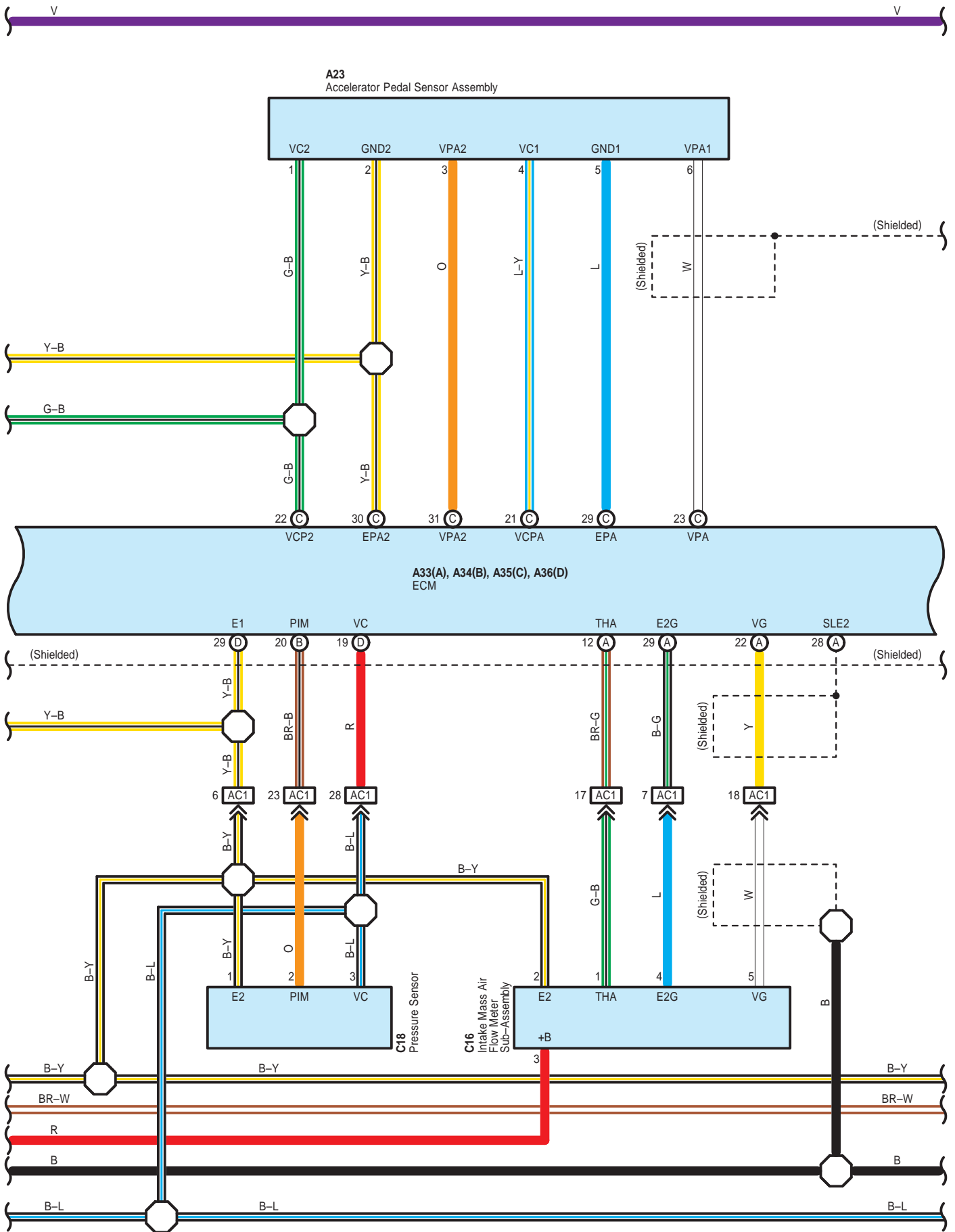


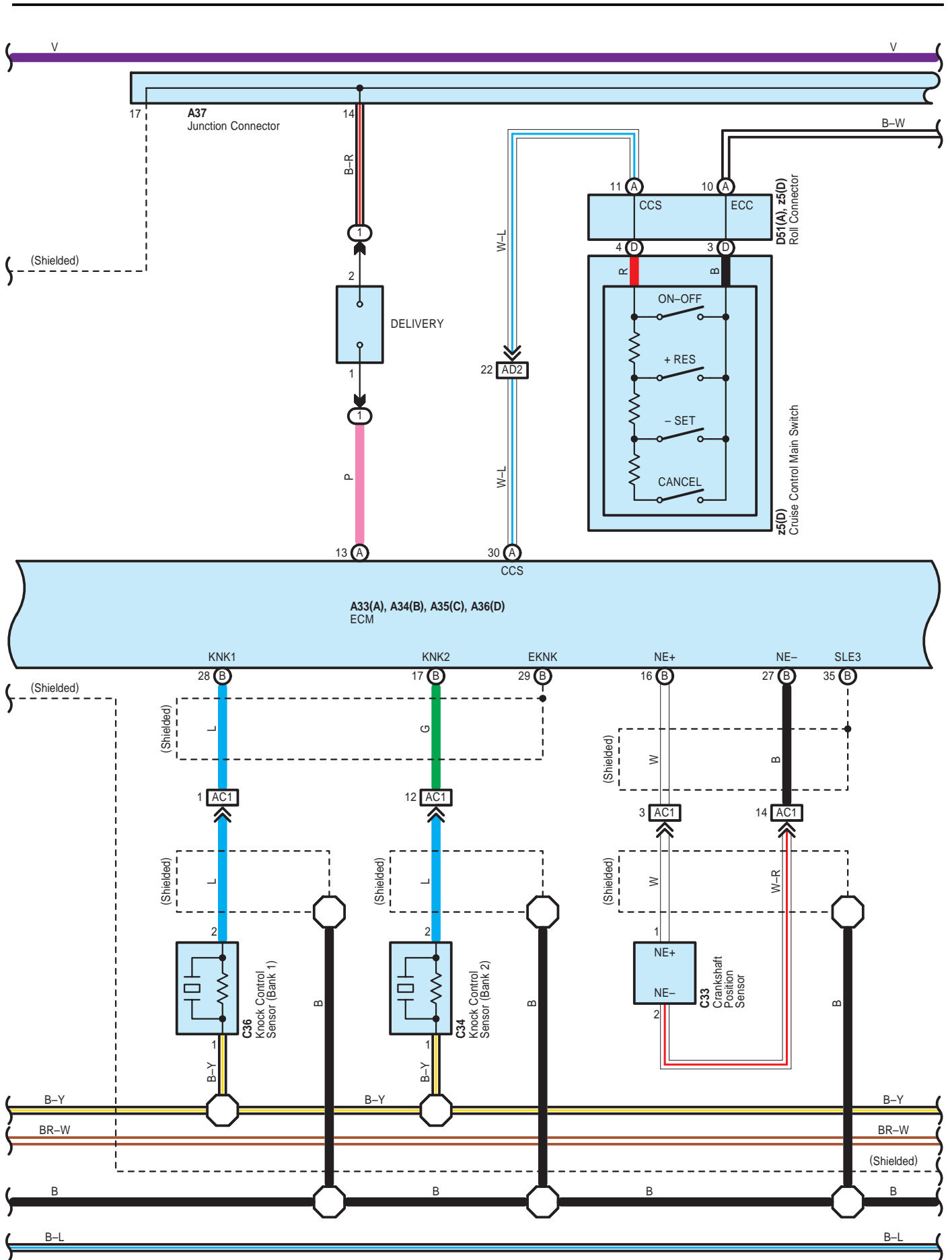
Cruise Control, Electronically Controlled Transmission and A/T Indicator (A/T), Engine Control, Shift Indicator (M/T) and Shift Lock



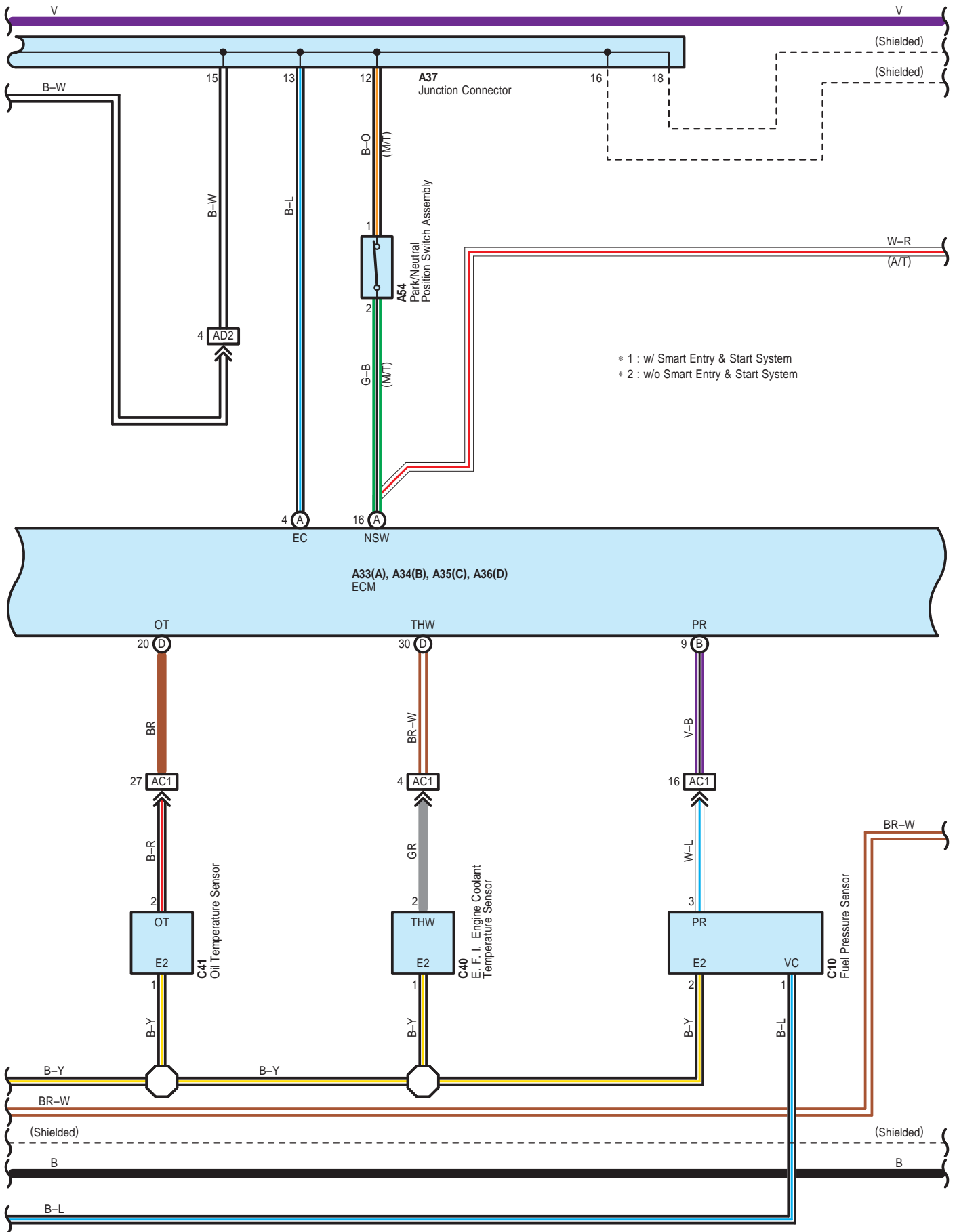


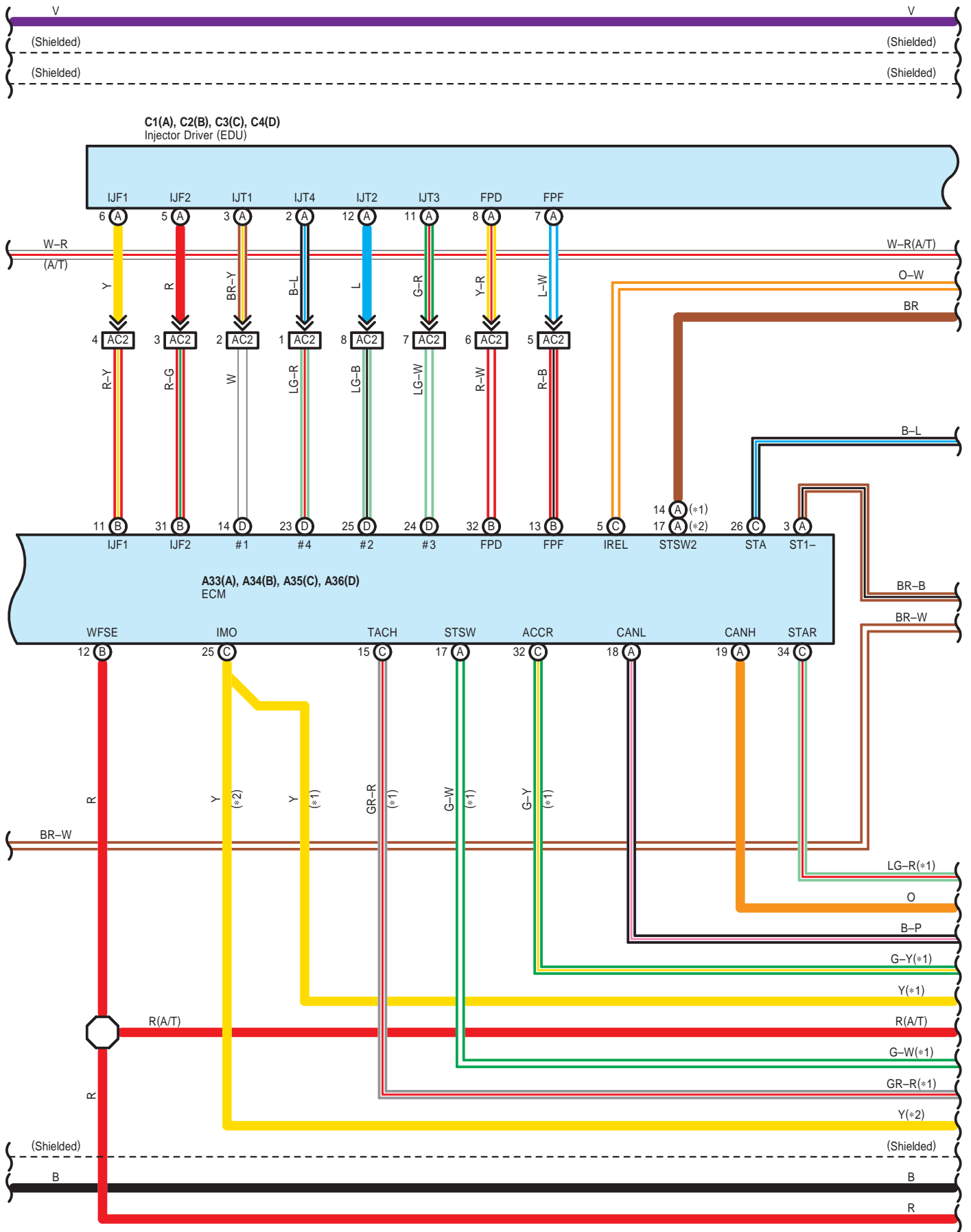
Cruise Control, Electronically Controlled Transmission and A/T Indicator (A/T), Engine Control, Shift Indicator (M/T) and Shift Lock



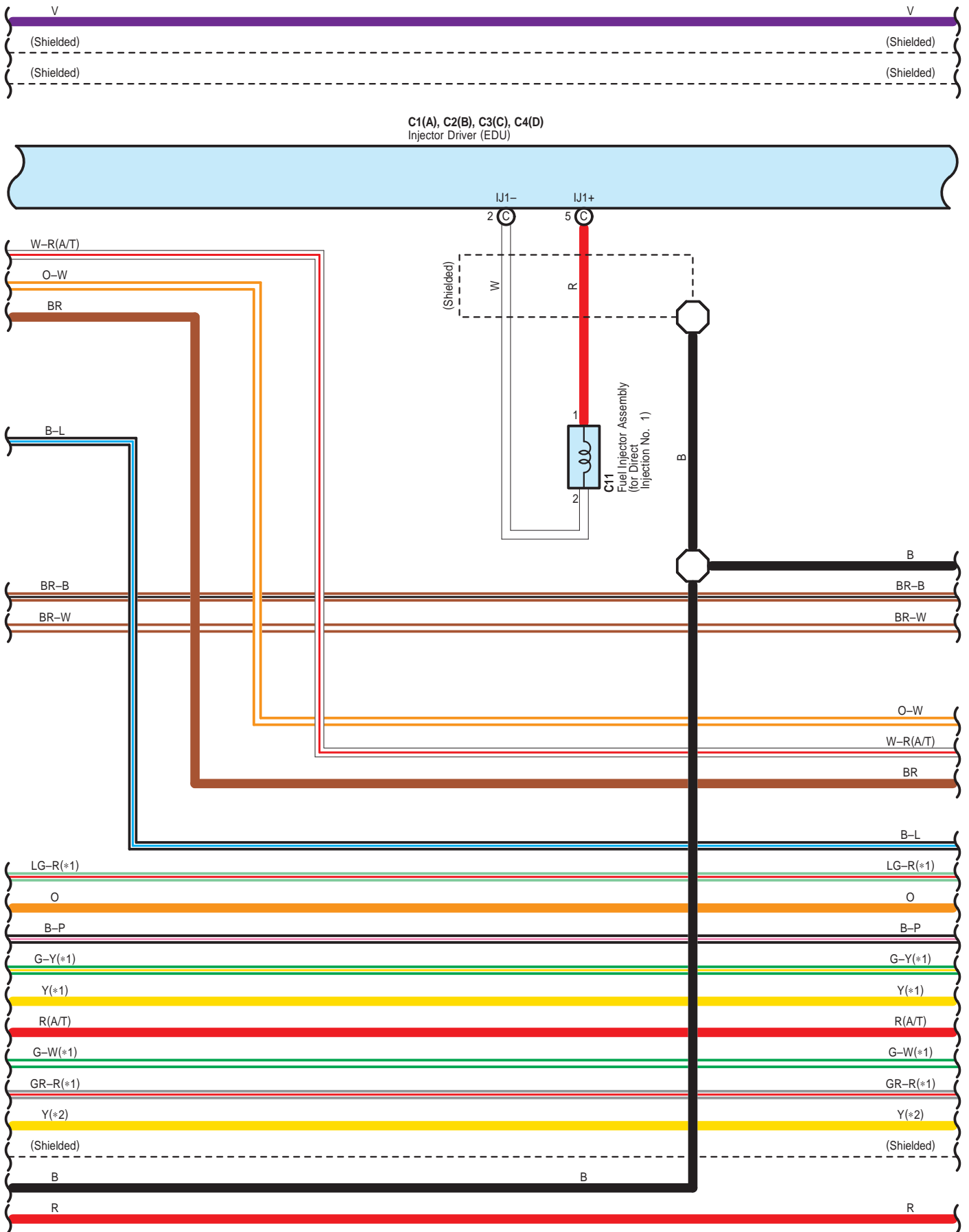


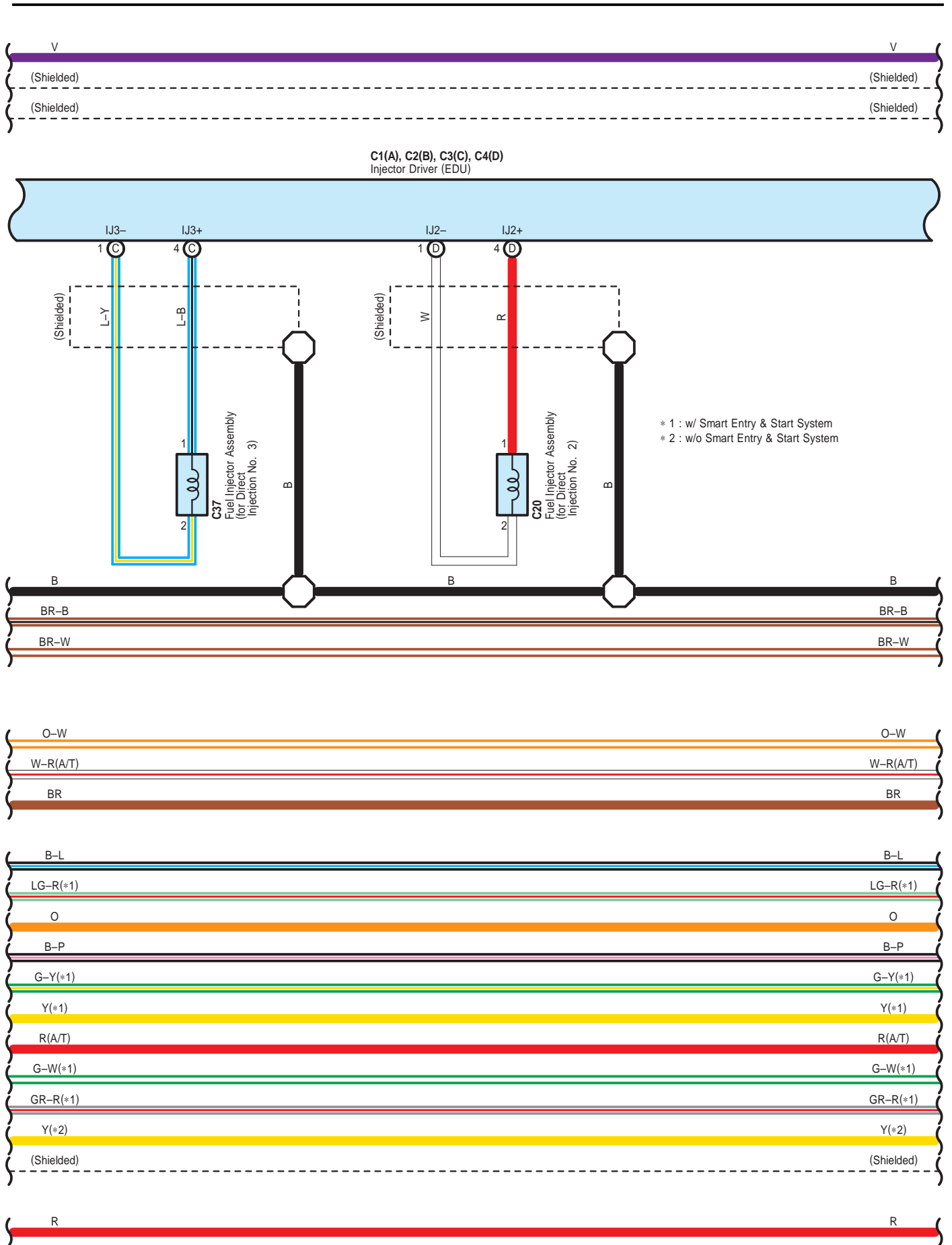
Cruise Control, Electronically Controlled Transmission and A/T Indicator (A/T), Engine Control, Shift Indicator (M/T) and Shift Lock



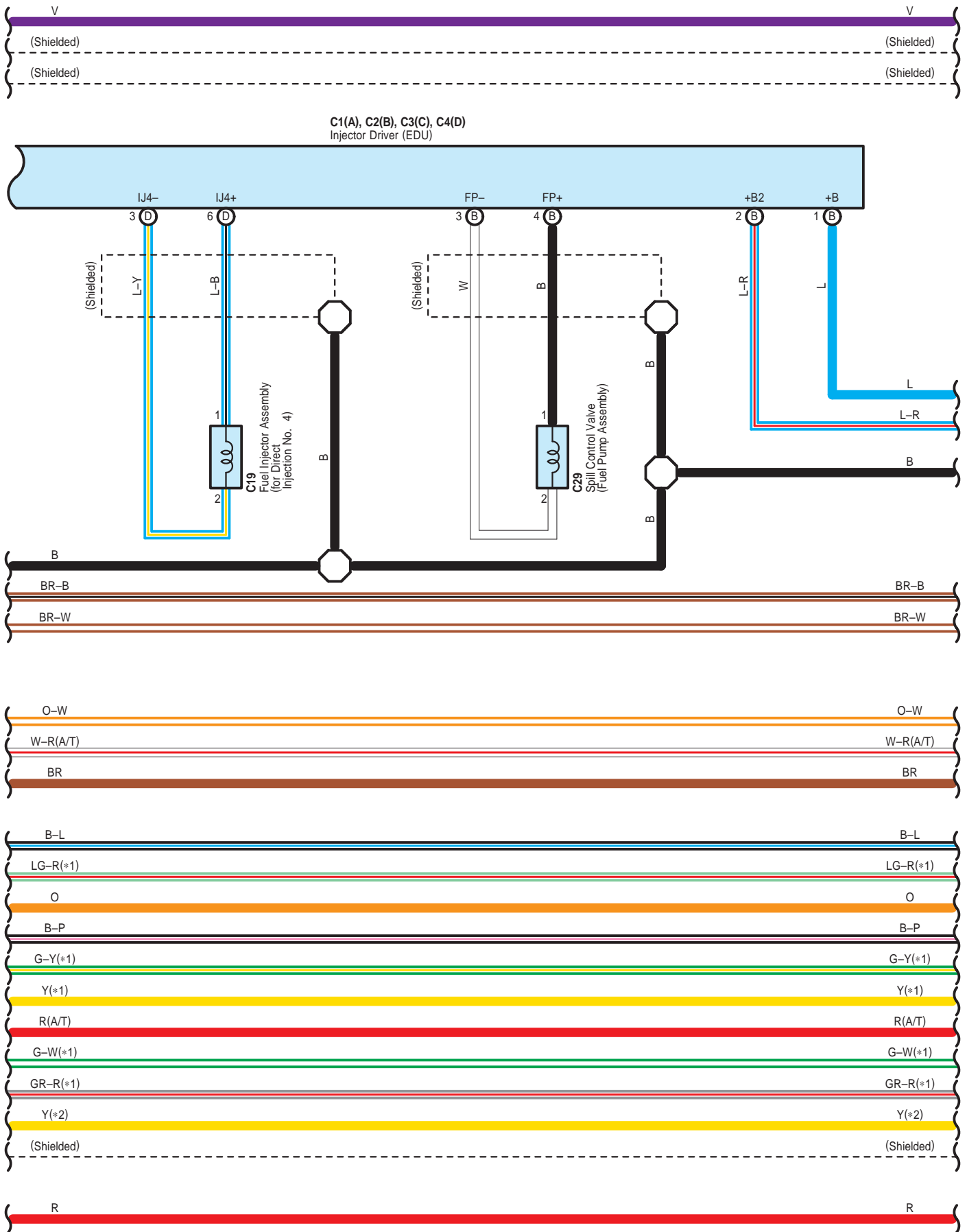


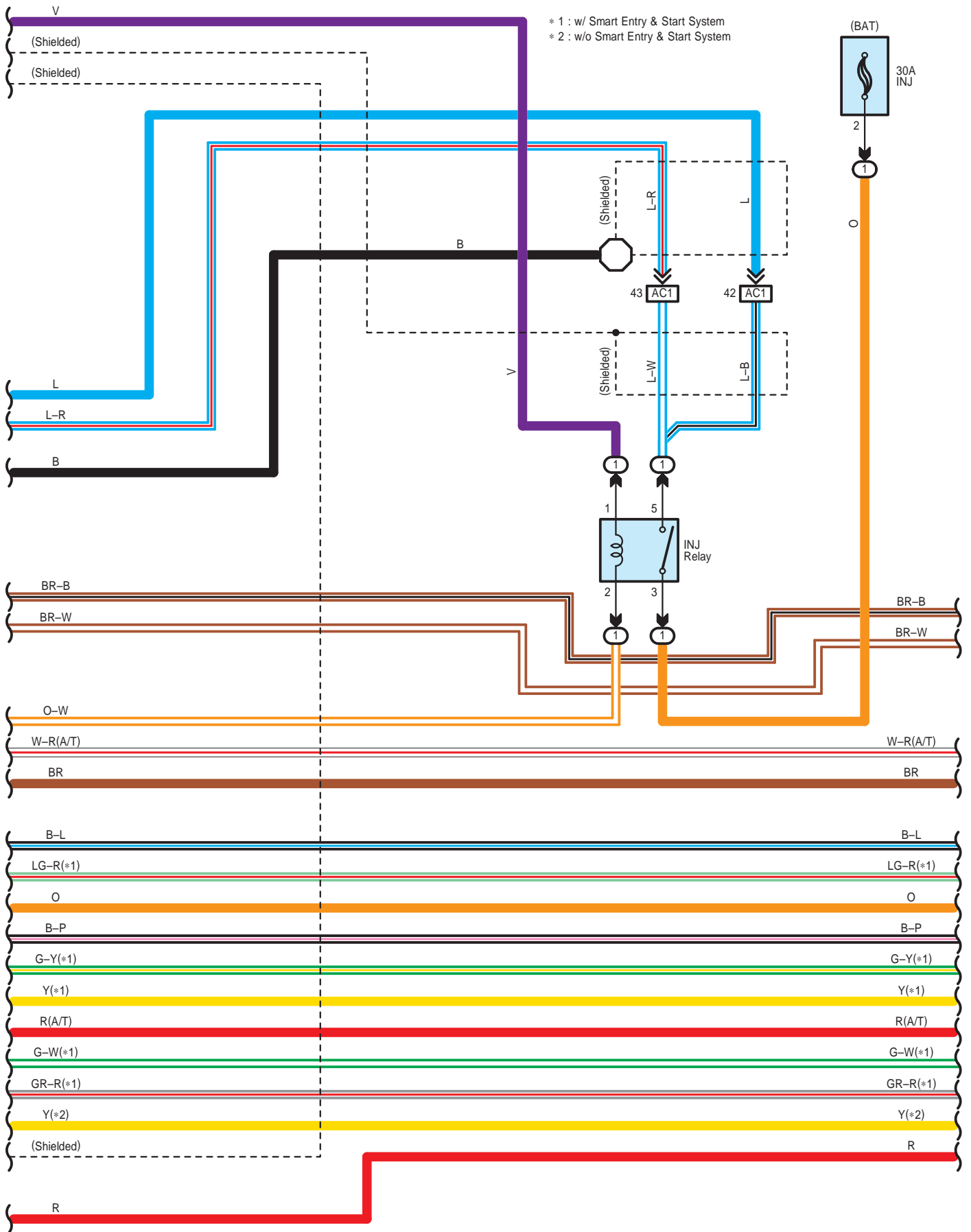
Cruise Control, Electronically Controlled Transmission and A/T Indicator (A/T), Engine Control, Shift Indicator (M/T) and Shift Lock



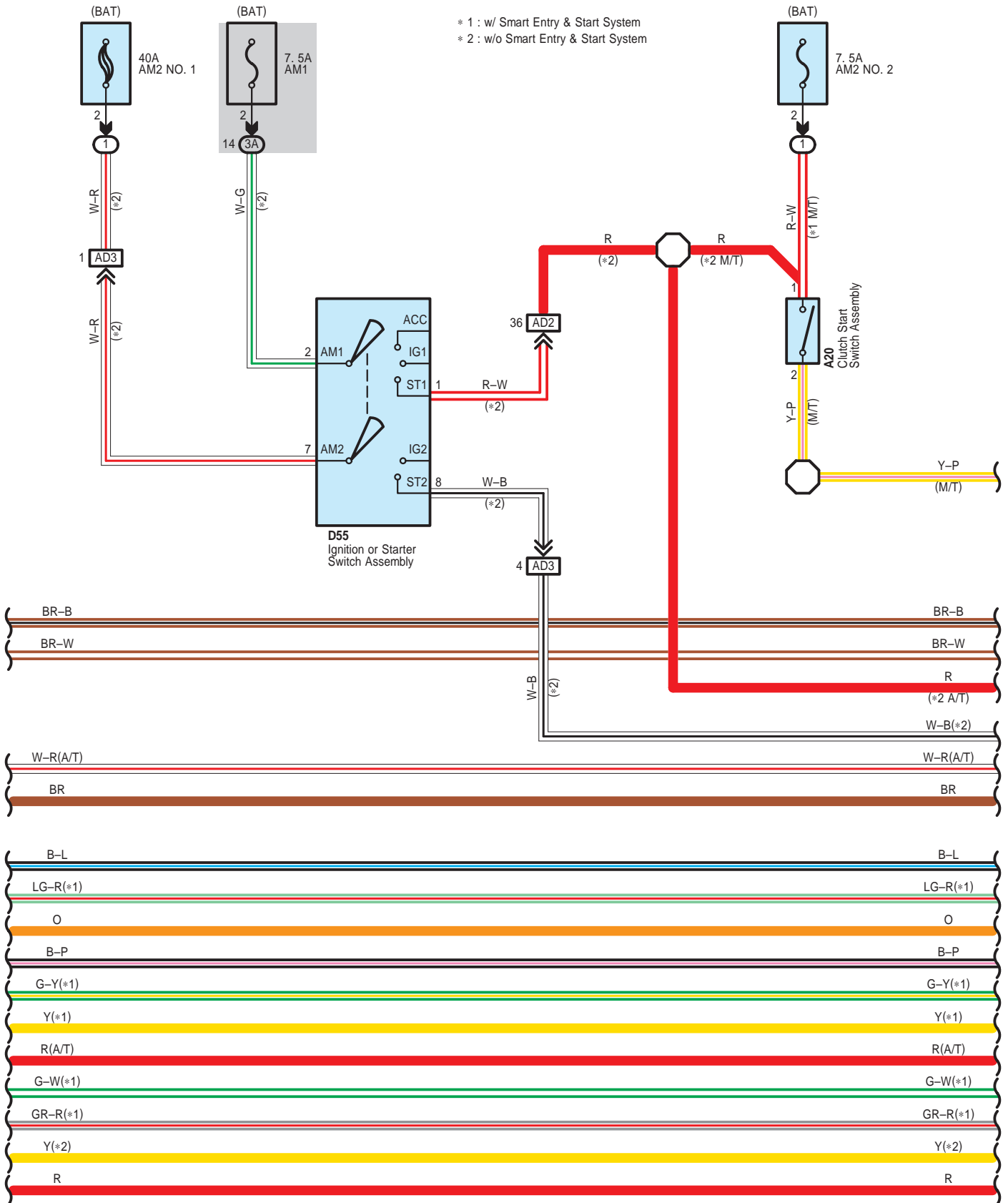


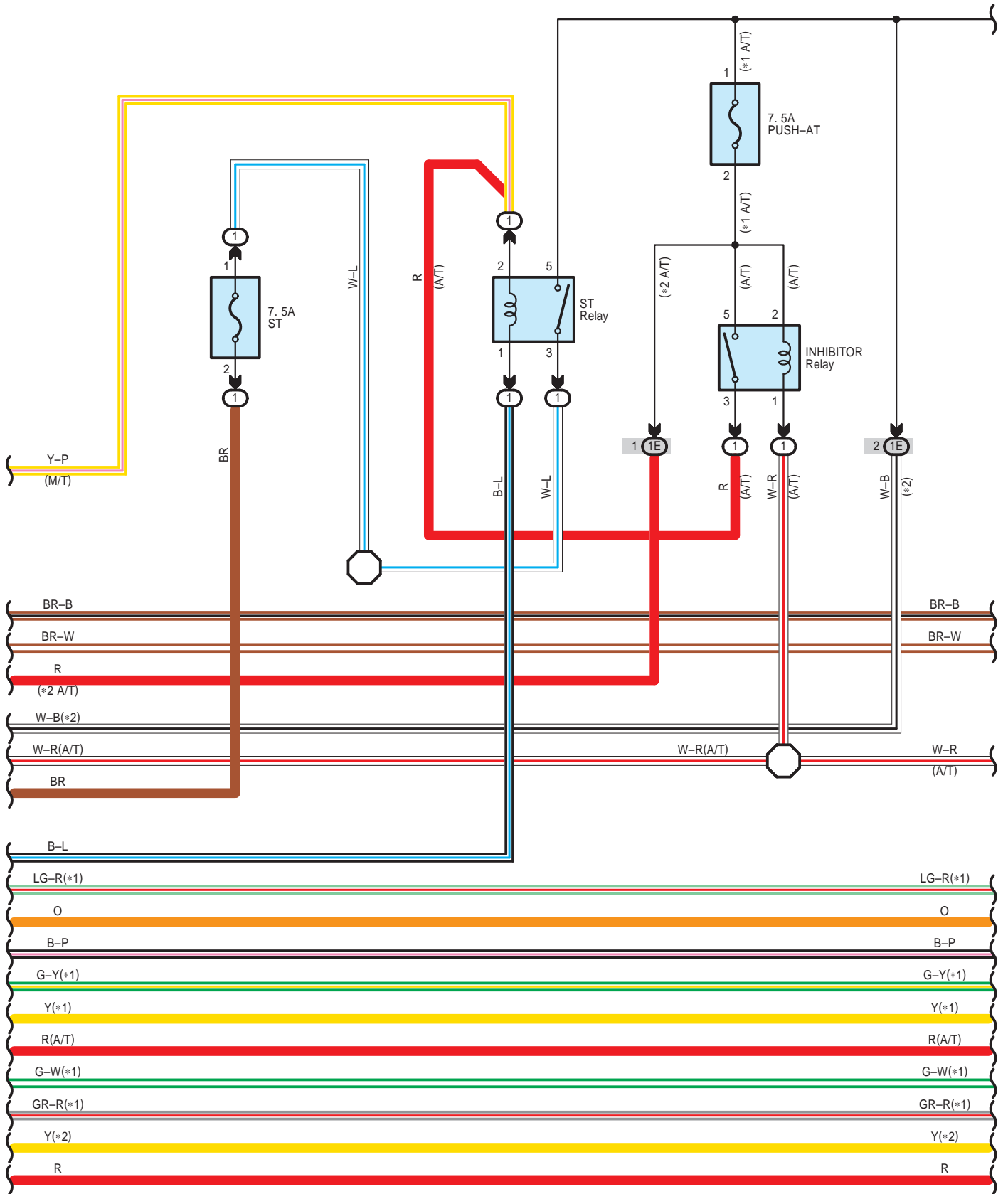
Cruise Control, Electronically Controlled Transmission and A/T Indicator (A/T), Engine Control, Shift Indicator (M/T) and Shift Lock



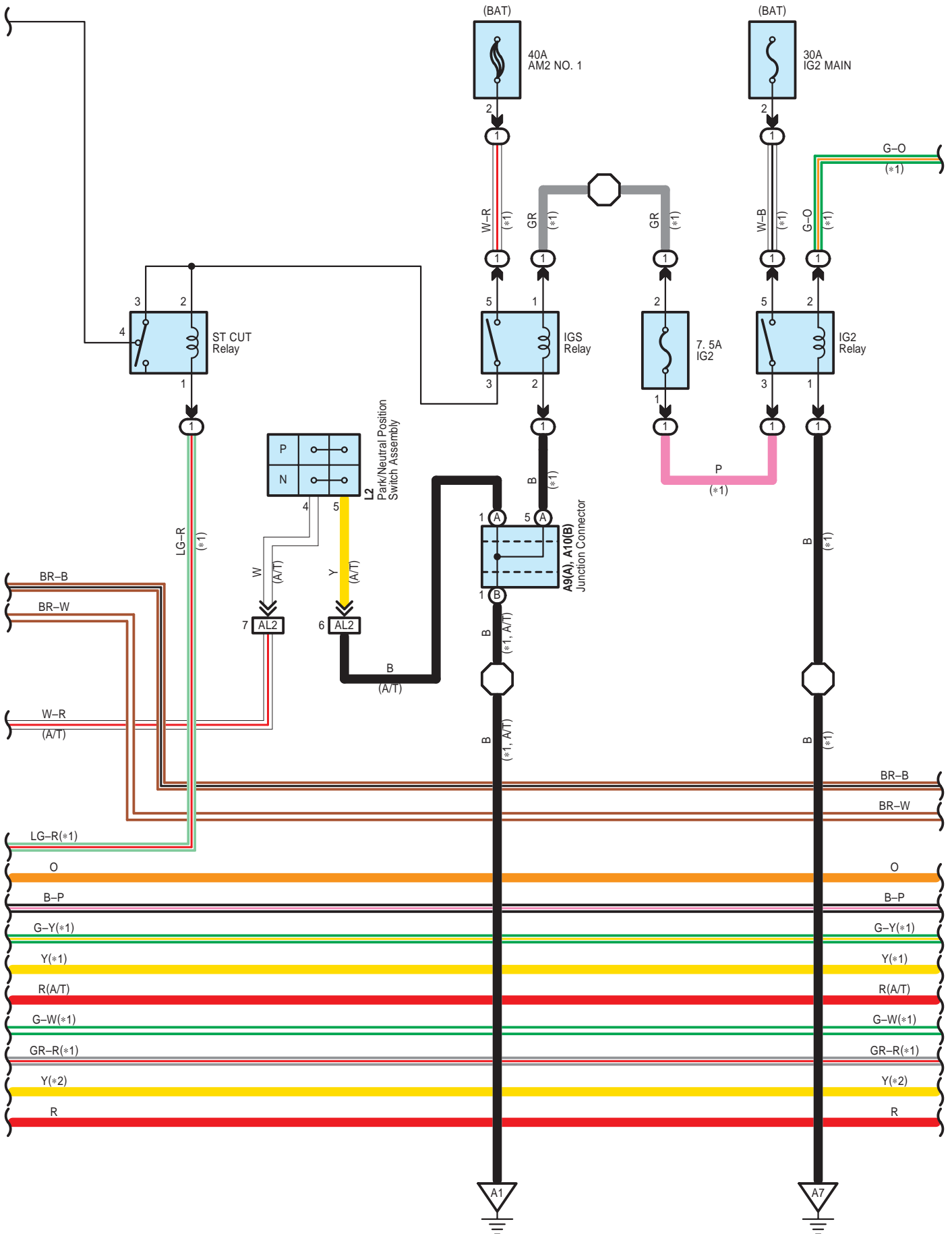


Cruise Control, Electronically Controlled Transmission and A/T Indicator (A/T), Engine Control, Shift Indicator (M/T) and Shift Lock

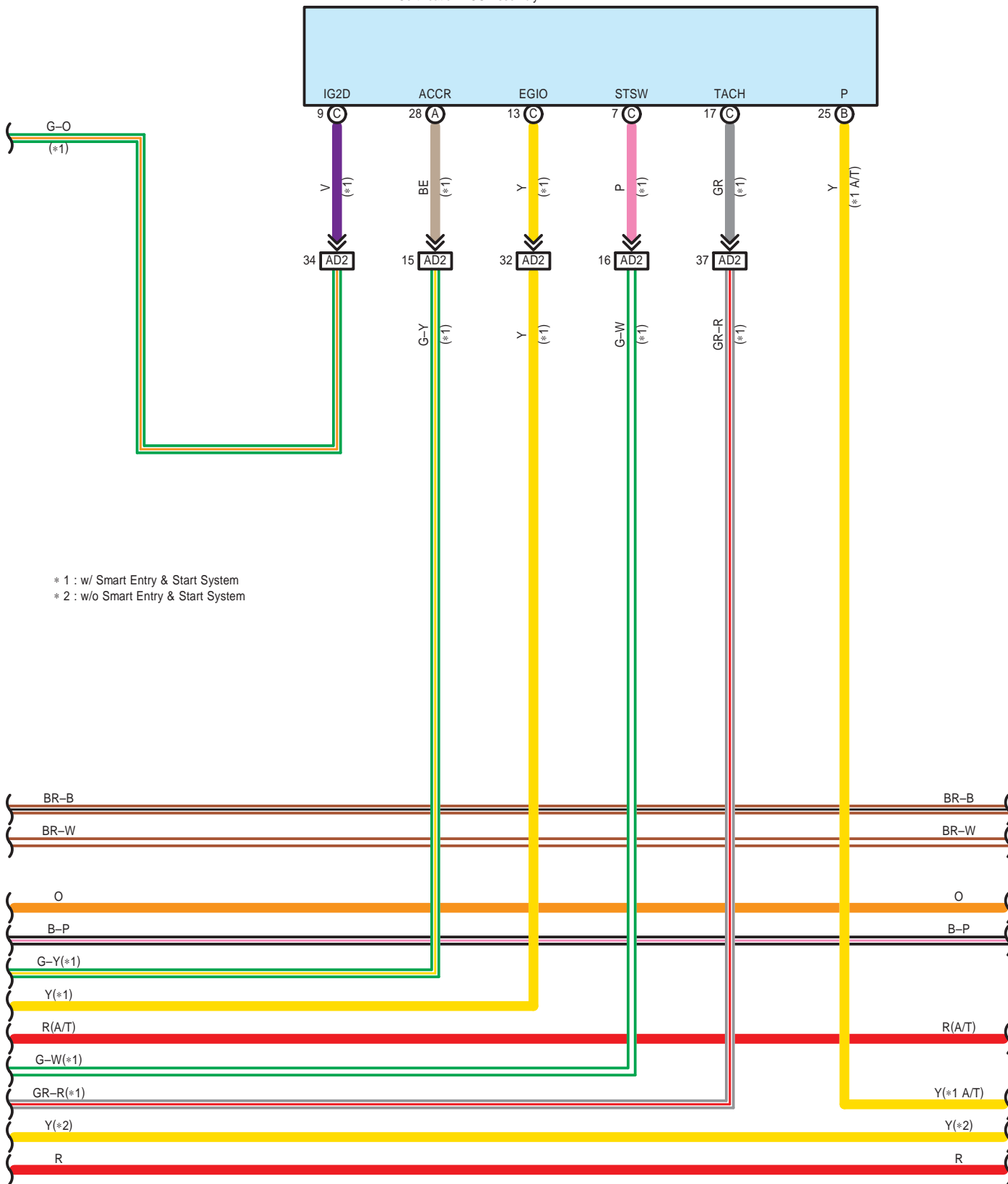




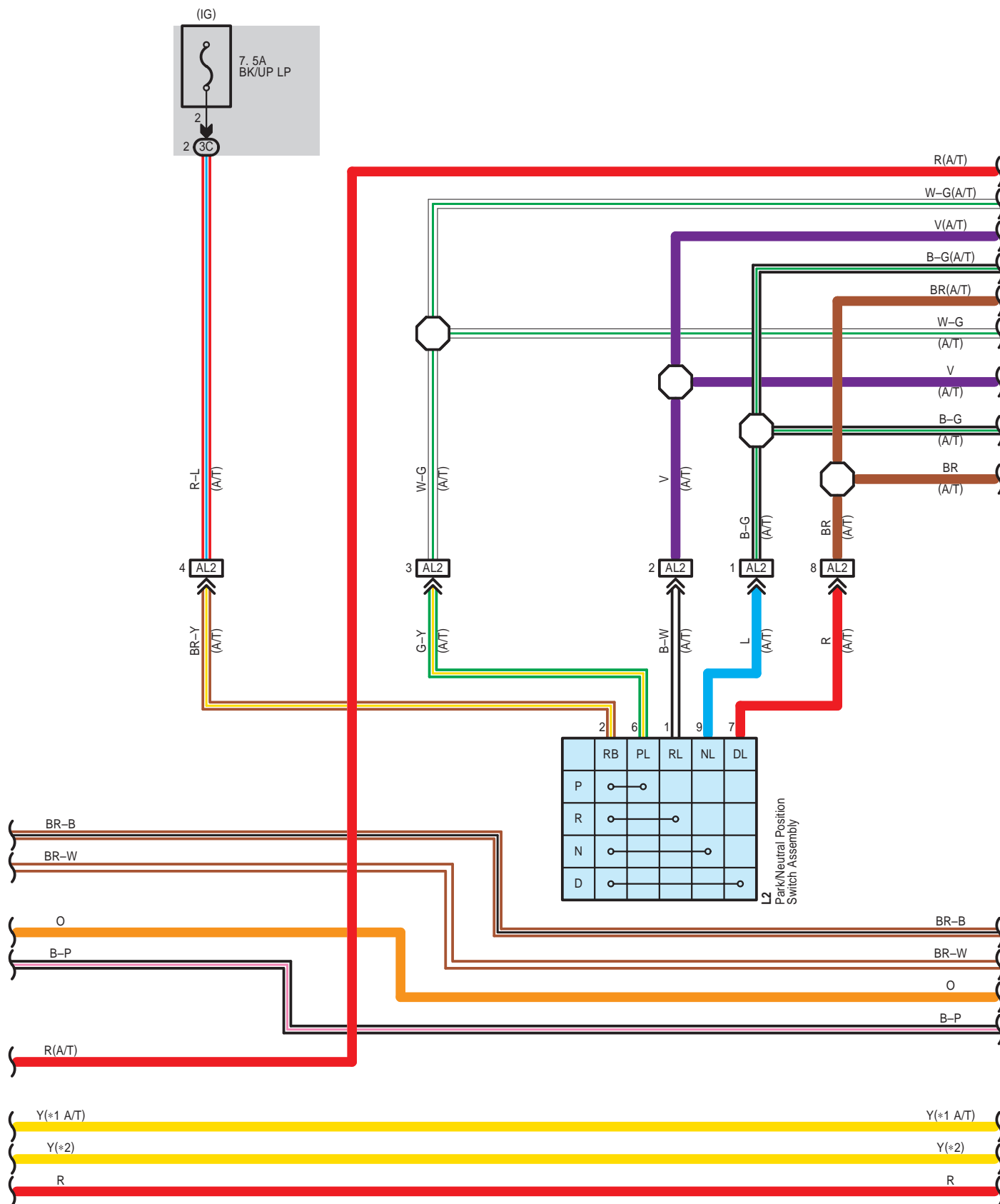
Cruise Control, Electronically Controlled Transmission and A/T Indicator (A/T), Engine Control, Shift Indicator (M/T) and Shift Lock



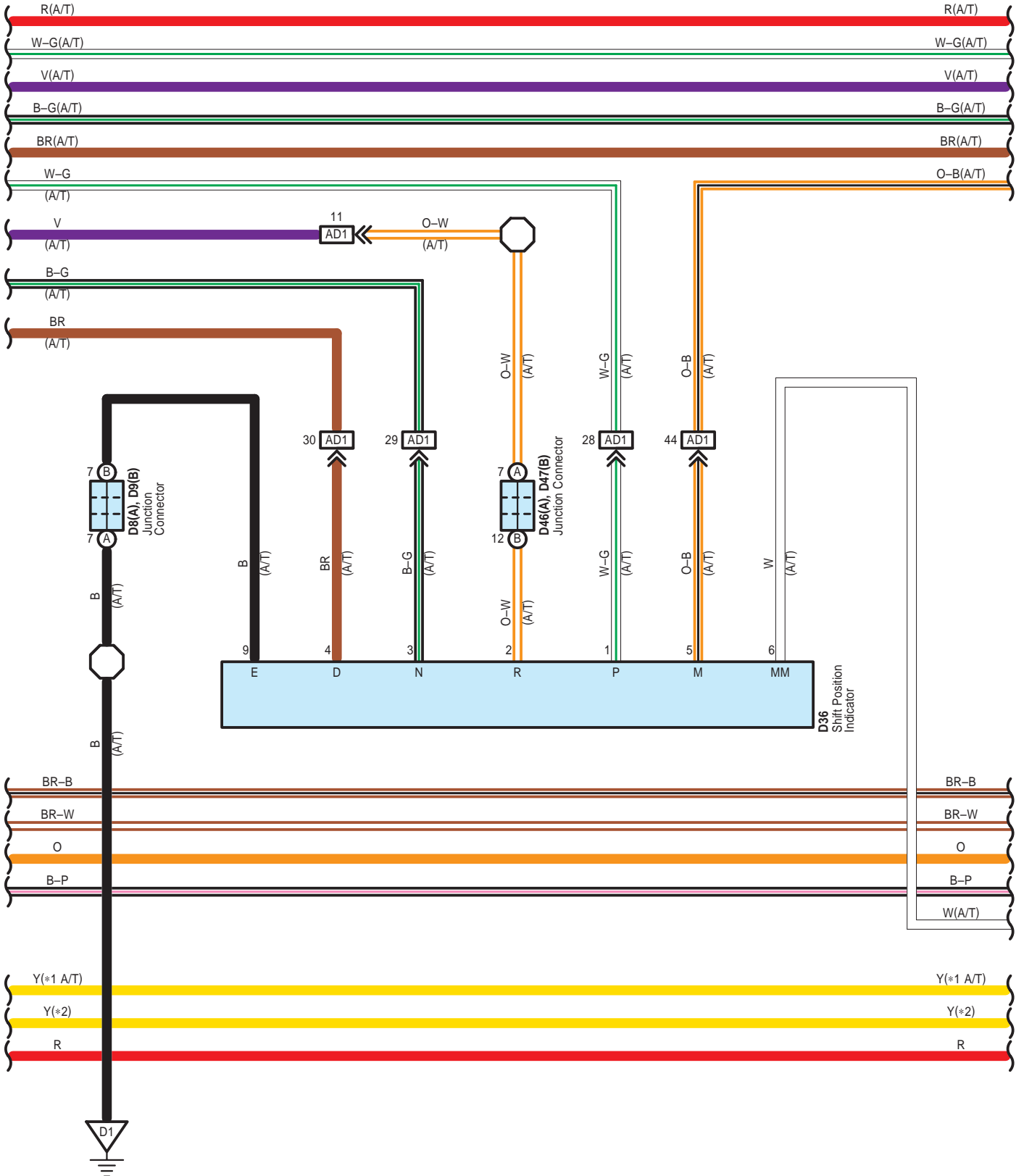
D40(A), D41(B), D48(C)
Certification ECU Assembly



Cruise Control, Electronically Controlled Transmission and A/T Indicator (A/T), Engine Control, Shift Indicator (M/T) and Shift Lock

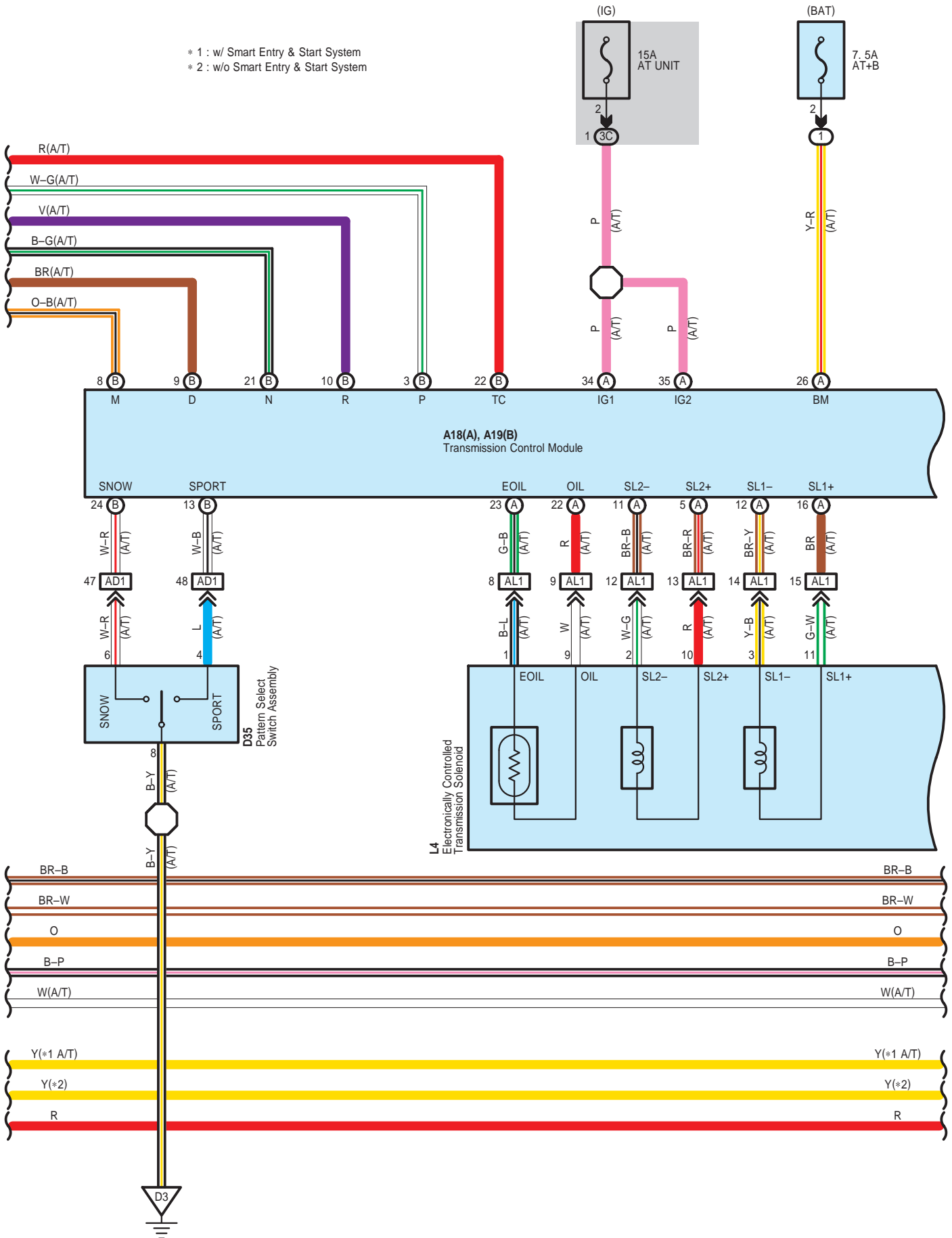


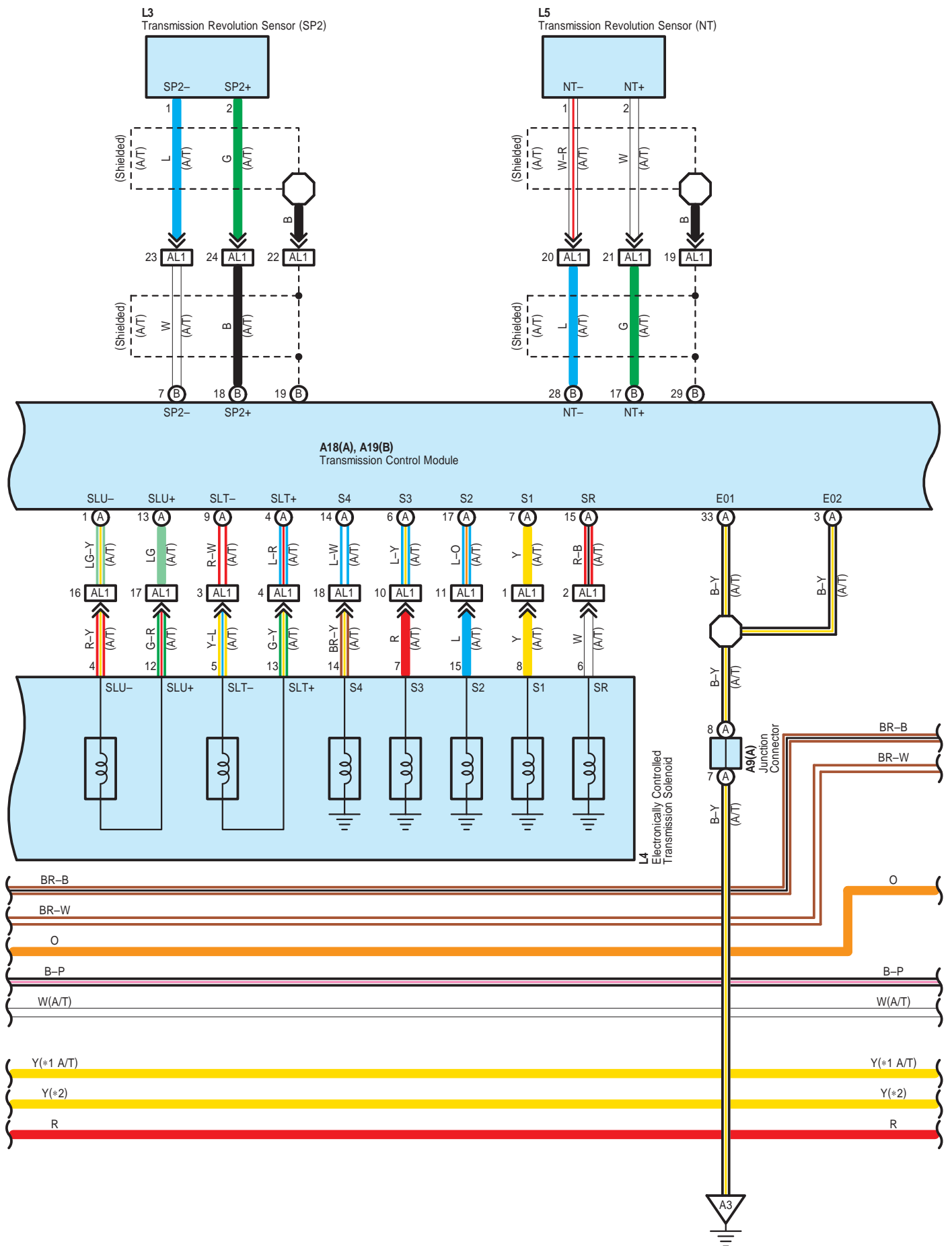
* 1 : w/ Smart Entry & Start System
 * 2 : w/o Smart Entry & Start System



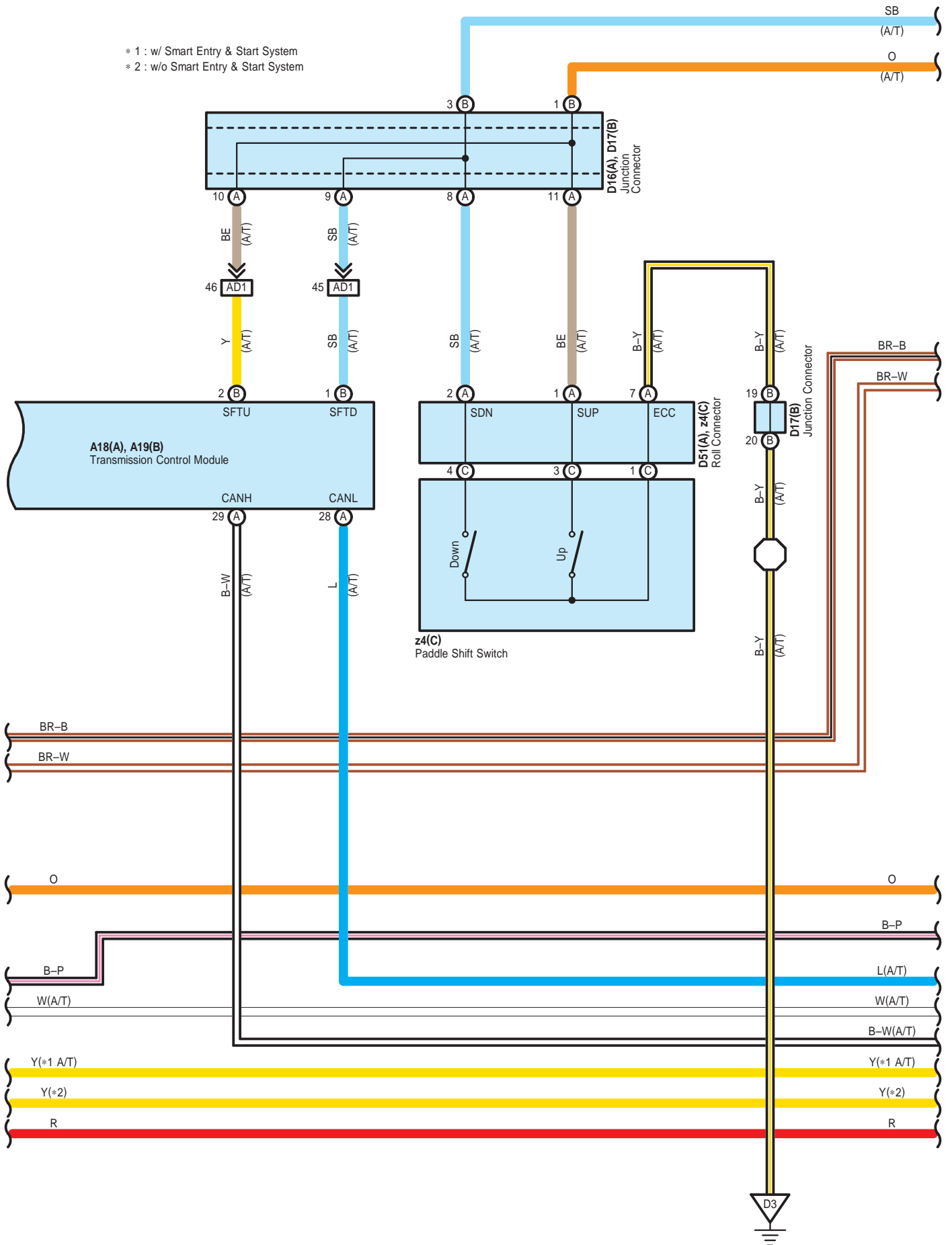
Cruise Control, Electronically Controlled Transmission and A/T Indicator (A/T), Engine Control, Shift Indicator (M/T) and Shift Lock

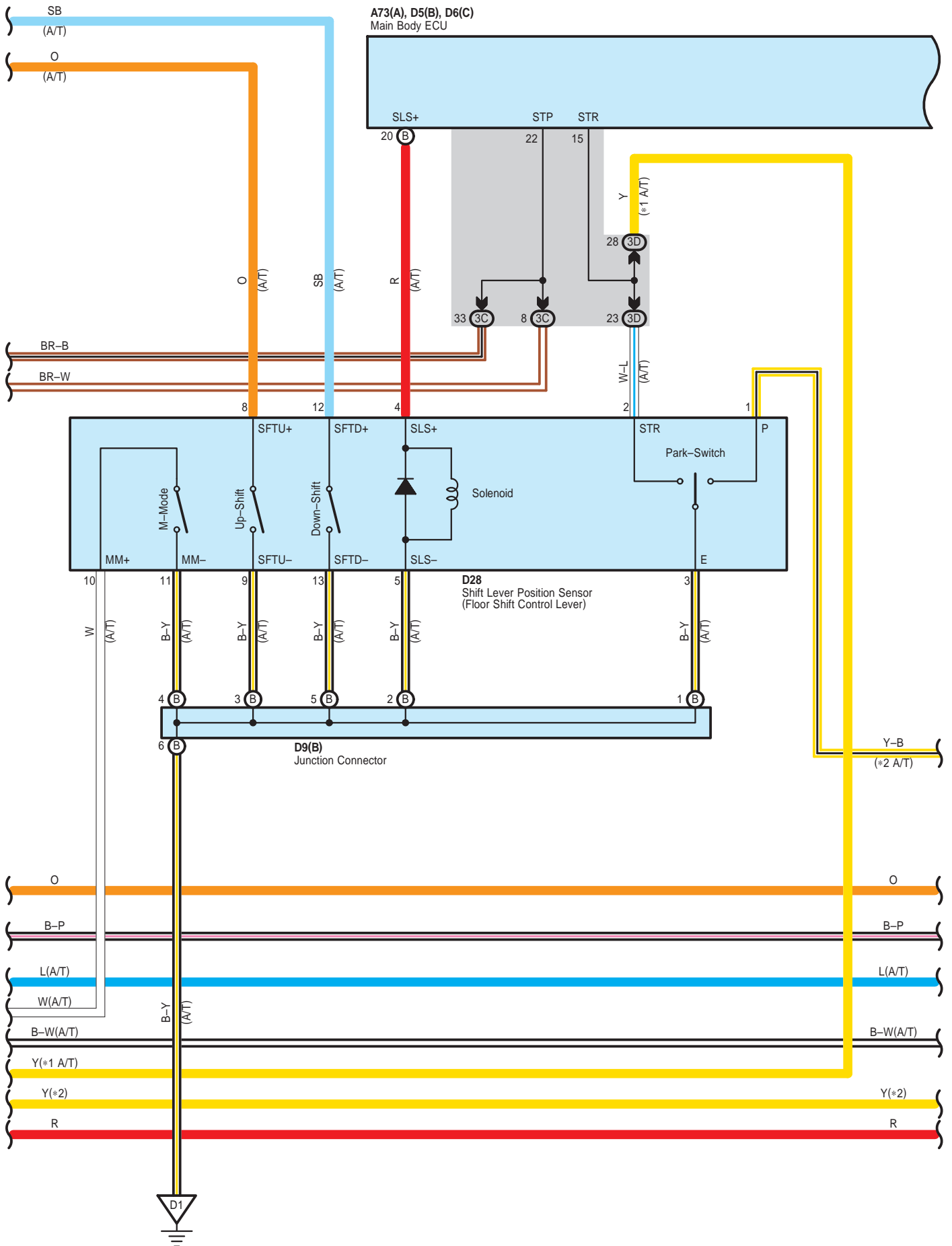
- * 1 : w/ Smart Entry & Start System
- * 2 : w/o Smart Entry & Start System





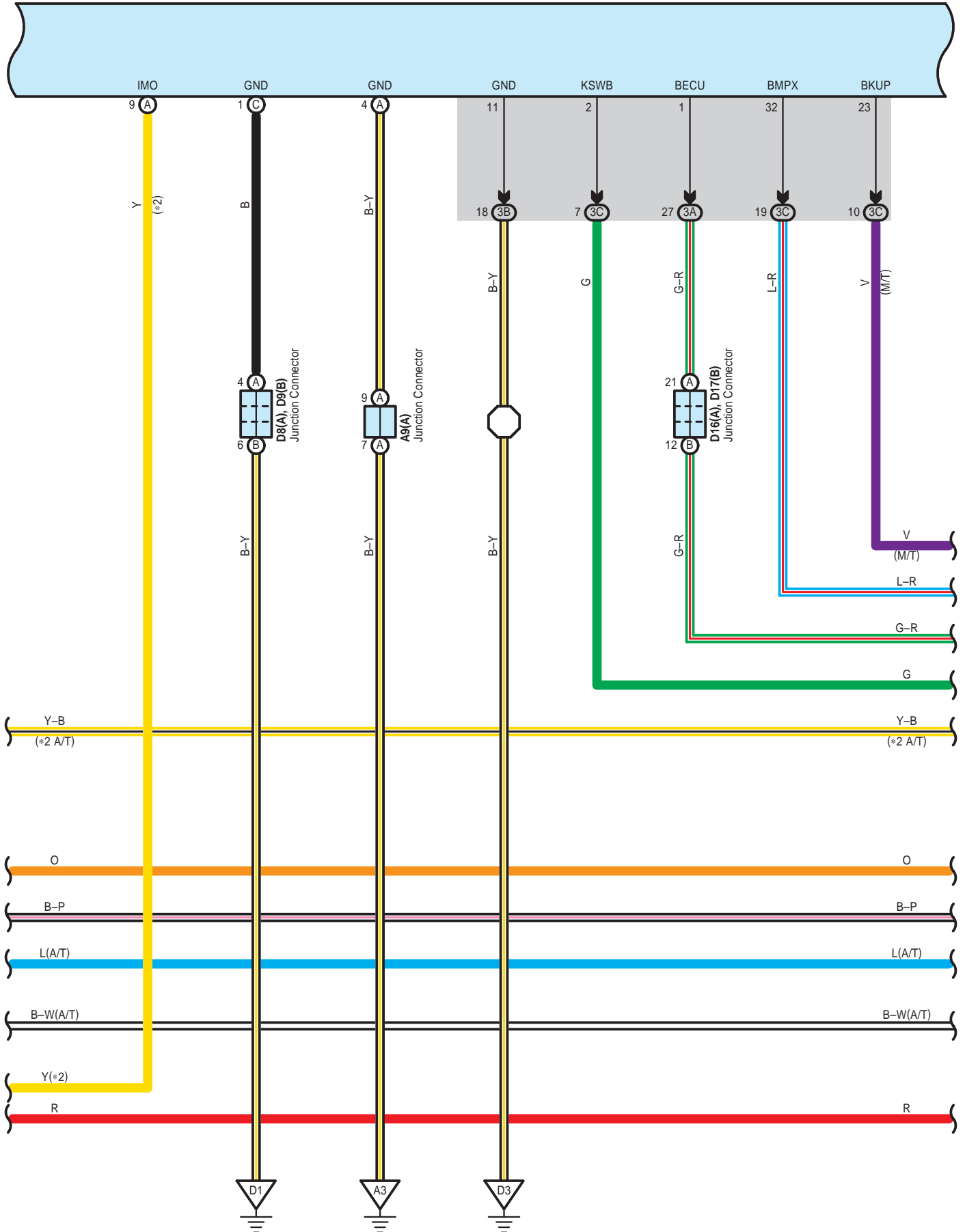
Cruise Control, Electronically Controlled Transmission and A/T Indicator (A/T), Engine Control, Shift Indicator (M/T) and Shift Lock

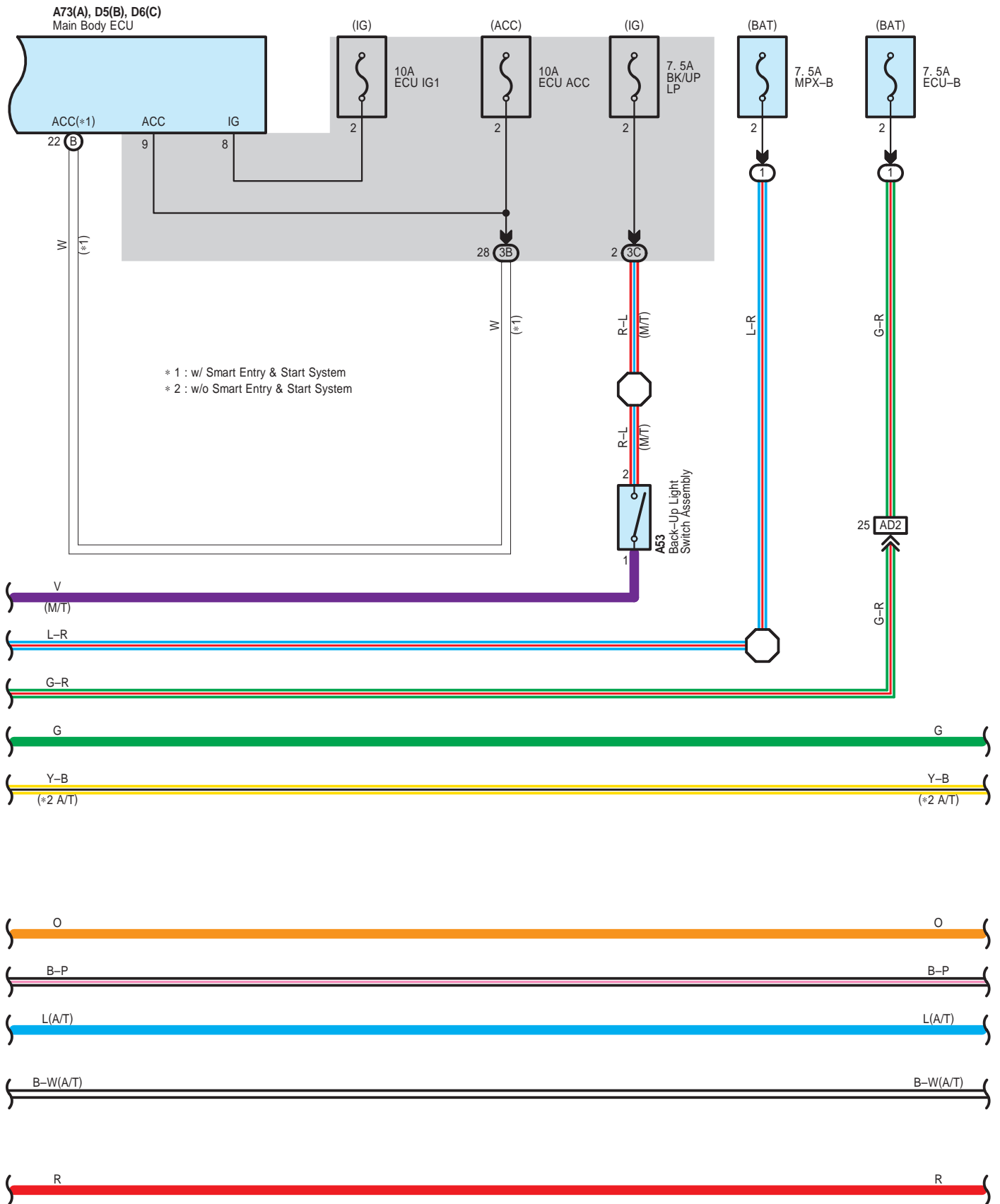




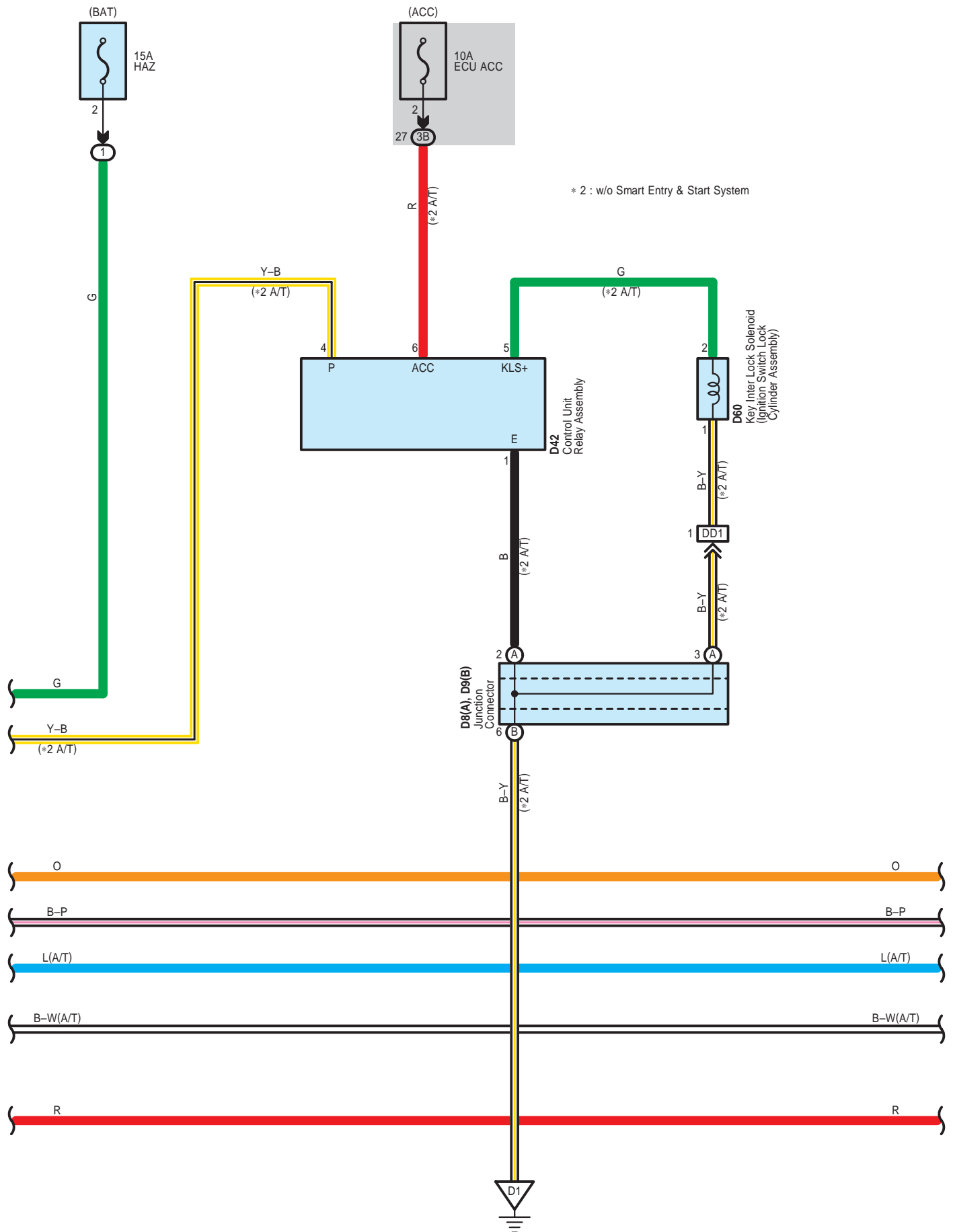
Cruise Control, Electronically Controlled Transmission and A/T Indicator (A/T), Engine Control, Shift Indicator (M/T) and Shift Lock

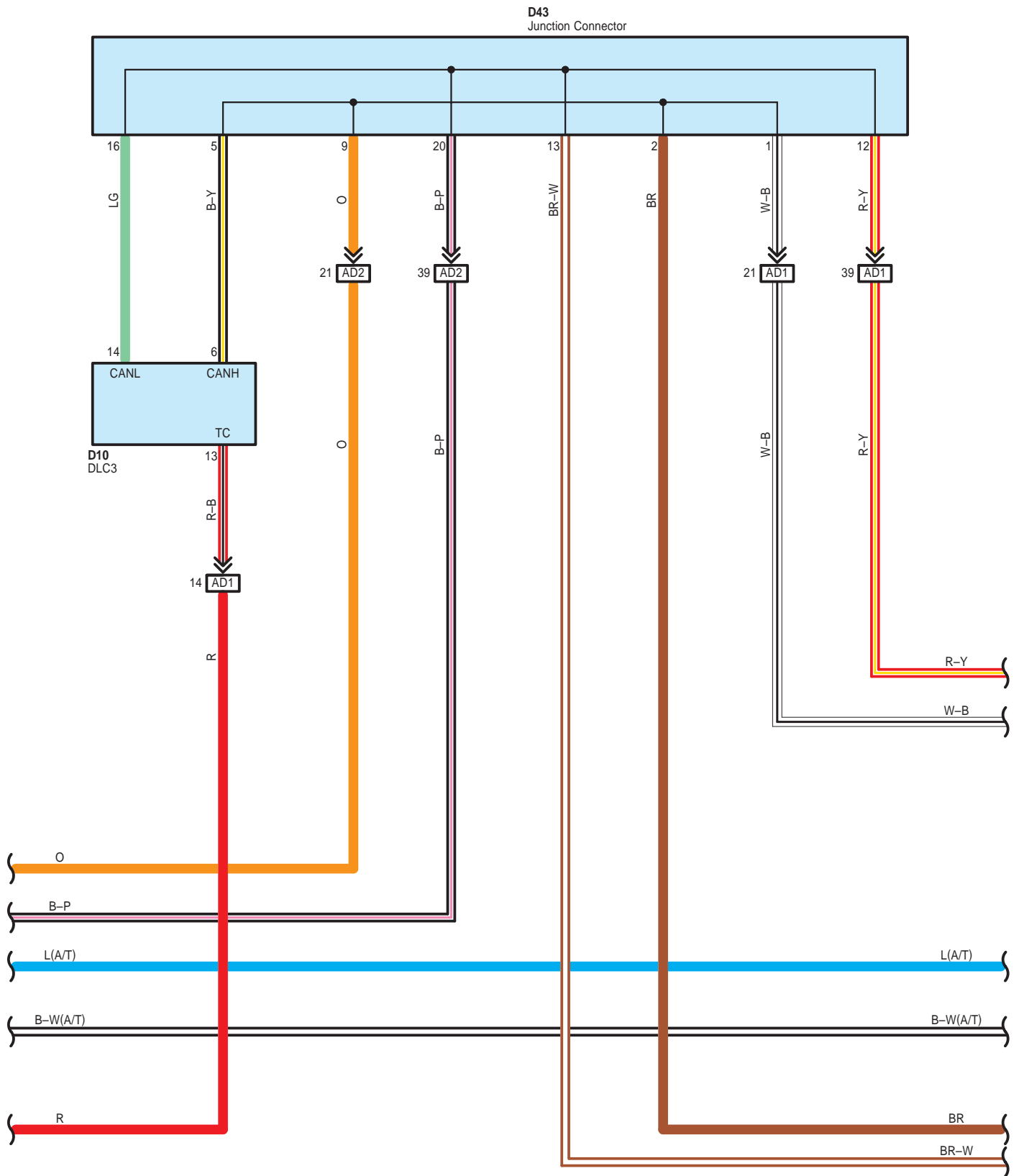
A73(A), D5(B), D6(C)
Main Body ECU



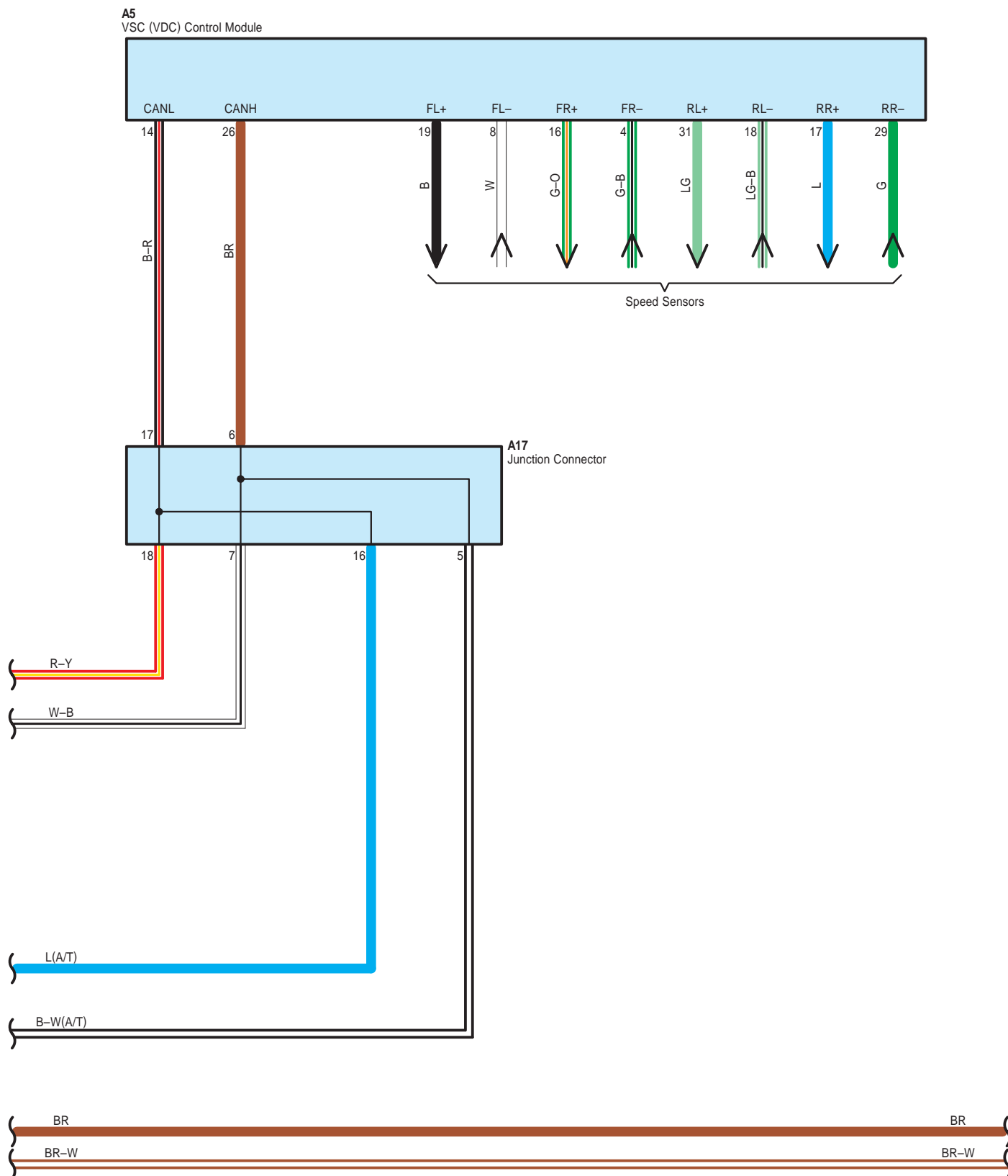


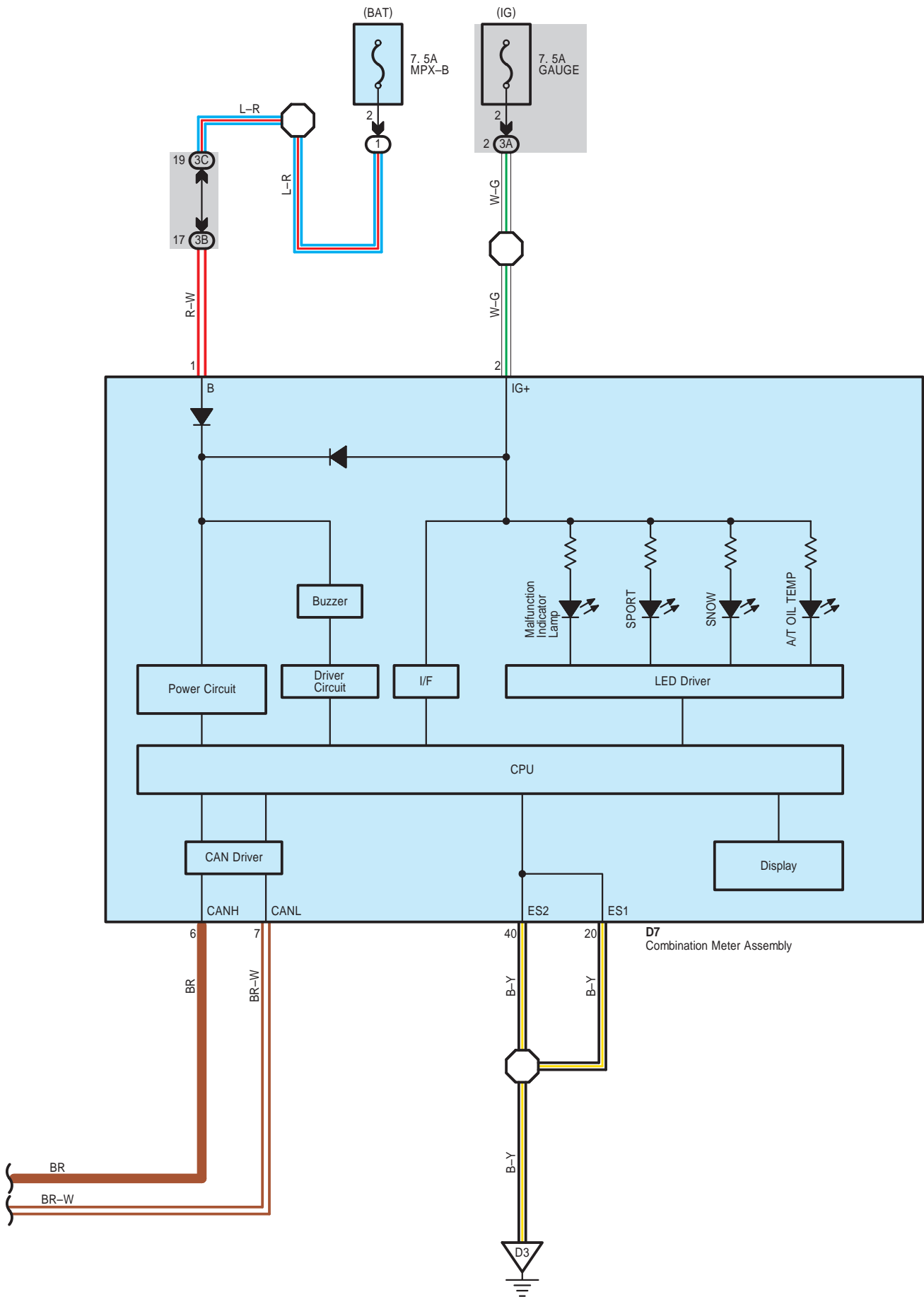
Cruise Control, Electronically Controlled Transmission and A/T Indicator (A/T), Engine Control, Shift Indicator (M/T) and Shift Lock





Cruise Control, Electronically Controlled Transmission and A/T Indicator (A/T), Engine Control, Shift Indicator (M/T) and Shift Lock





BRZ (G4420BE)

Cruise Control, Electronically Controlled Transmission and A/T Indicator (A/T), Engine Control, Shift Indicator (M/T) and Shift Lock

: Parts Location

Code	See Page	Code	See Page	Code	See Page
A5	39	C10	38	D8	A 40
A9	A 42	C11	38	D9	B 40
A10	B 42	C12	38	D10 40	
A11	39	C13	38	D16	A 40
A13	42	C14	38	D17	B 40
A17	42	C15	38	D28 40	
A18	A 42	C16	38	D35 40	
A19	B 42	C18	38	D36 40	
A20	42	C19	38	D40	A 41
A21	42	C20	38	D41	B 41
A22	42	C23	38	D42 41	
A23	42	C24	38	D43 41	
A33	A 42	C25	38	D46	A 41
A34	B 42	C26	38	D47	B 41
A35	C 42	C29	38	D48	C 41
A36	D 42	C30	38	D51	A 41
A37	42	C31	38	D55 41	
A43	A 39	C33	38	D60 41	
A53	39	C34	38	G7 44	
A54	39	C36	38	G8 44	
A73	A 42	C37	38	G12 44	
C1	A 38	C40	38	L2 39	
C2	B 38	C41	38	L3 39	
C3	C 38	C42	38	L4 39	
C4	D 38	C43	38	L5 39	
C5	38	C44	38	d1 39	
C6	38	C45	38	z4	C 42
C7	38	D5	B 40	z5	D 42
C8	38	D6	C 40		
C9	38	D7	40		

: Relay Blocks

Code	See Page	Relay Blocks (Relay Block Location)
1	24	Engine Room R/B (Engine Compartment Right)

: Junction Block and Wire Harness Connector

Code	See Page	Junction Block and Wire Harness (Connector Location)
1E	24	Engine Room Main Wire and Engine Room J/B (Engine Compartment Right)
3A	26	Instrument Panel Wire and Instrument Panel J/B Assembly (Instrument Panel Reinforcement)
3B		
3C	26	Engine Room Main Wire and Instrument Panel J/B Assembly (Instrument Panel Reinforcement)
3D	26	Instrument Panel Wire and Instrument Panel J/B Assembly (Instrument Panel Reinforcement)

: Connector Joining Wire Harness and Wire Harness

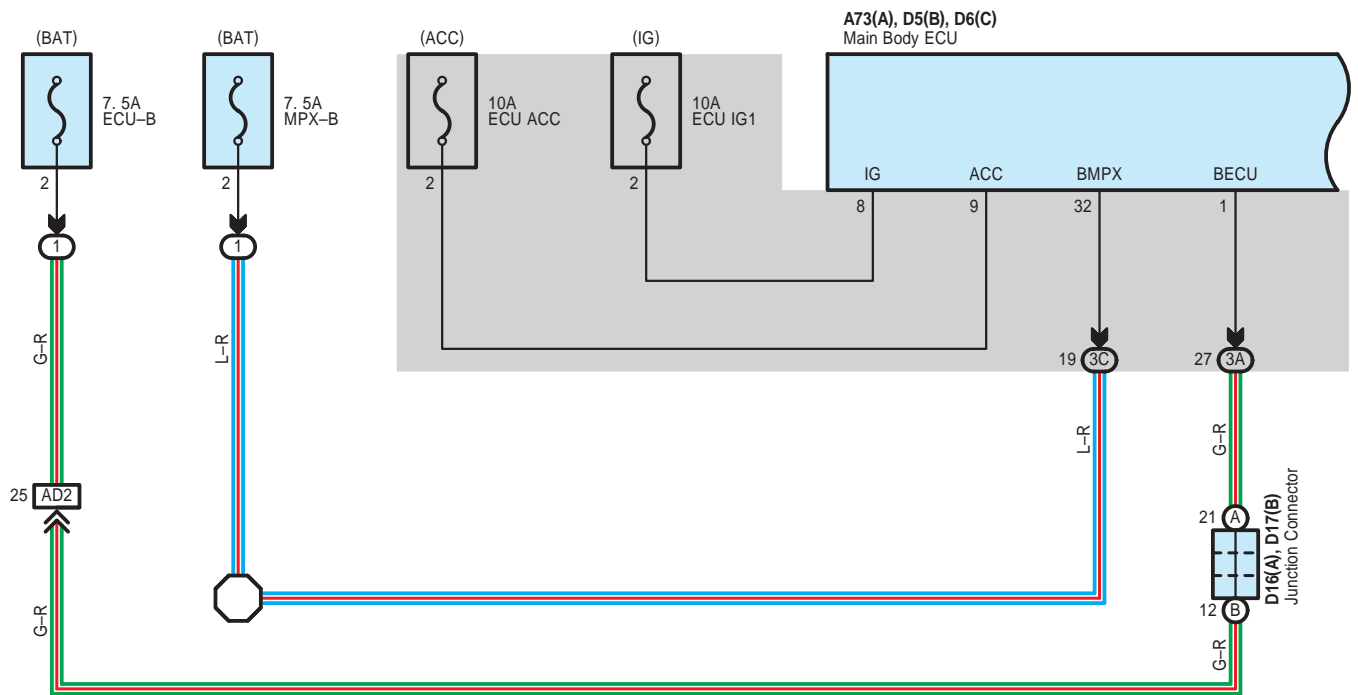
Code	See Page	Joining Wire Harness and Wire Harness (Connector Location)
AC1	46	Engine Room Main Wire and Engine Wire (Engine Unit)
AC2		
AD1	47	Engine Room Main Wire and Instrument Panel Wire (Cowl Side Panel LH)
AD2	47	Engine Room Main Wire and Instrument Panel Wire (Cowl Side Panel RH)
AD3	47	Engine Room Main Wire and Instrument Panel Wire (Cowl Side Panel LH)
AL1	46	Engine Room Main Wire and Transmission Wire (Dash Panel)
AL2		
Cd1	46	Engine Wire and No. 1 Engine Wire (Engine Unit)
DD1	47	Instrument Panel Wire and Instrument Panel Wire (Cowl Side Panel LH)
GD1	47	No. 1 Floor Wire and Instrument Panel Wire (Cowl Side Panel RH)
GD2		

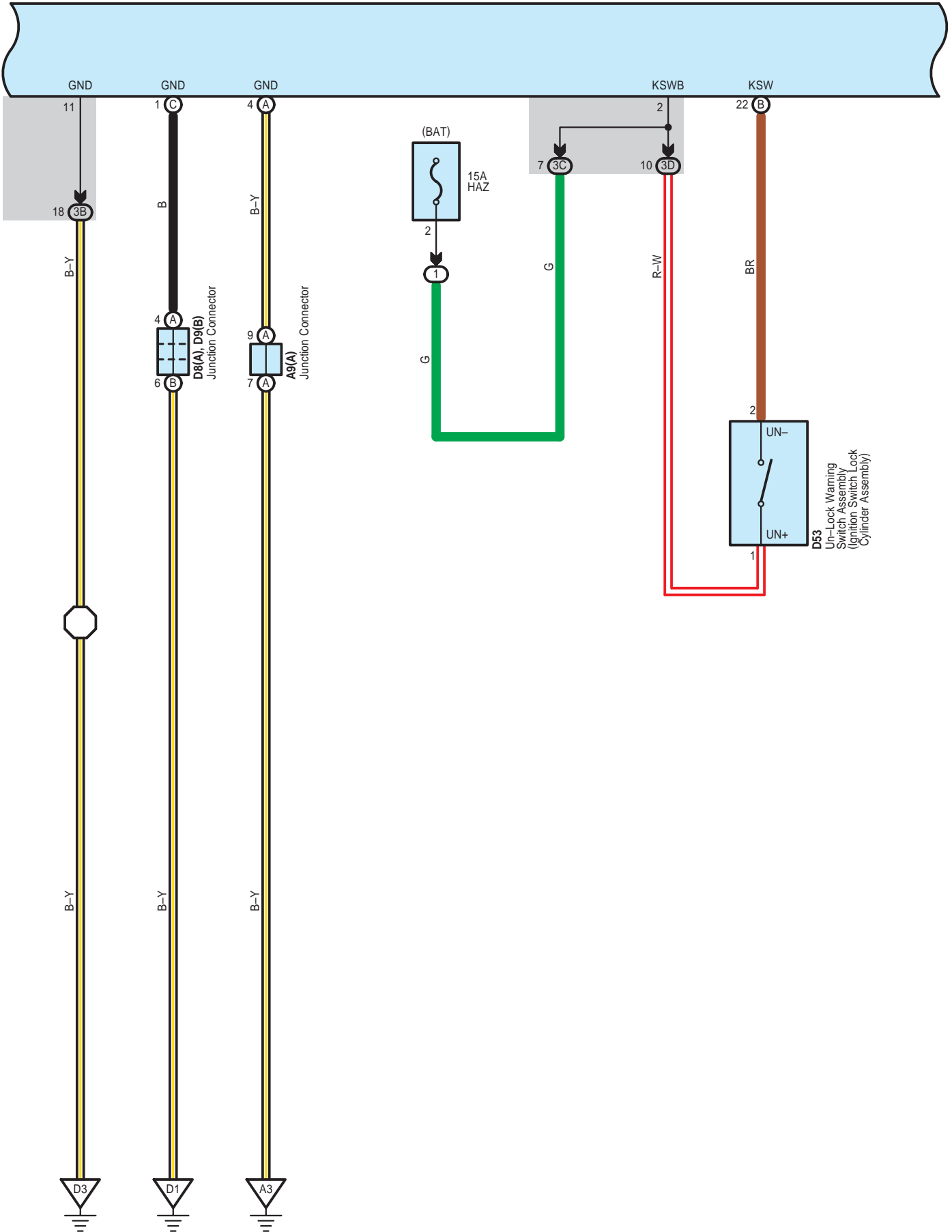


: Ground Points

Code	See Page	Ground Points Location
A1	46	Front Fender Apron LH
A3	47	Cowl Side Panel RH
A7	46	Front Fender Apron RH
C1	46	Engine Unit
D1	47	Cowl Side Panel LH
D3	47	Instrument Panel Brace RH
G1	48	Quarter Wheel House Panel RH

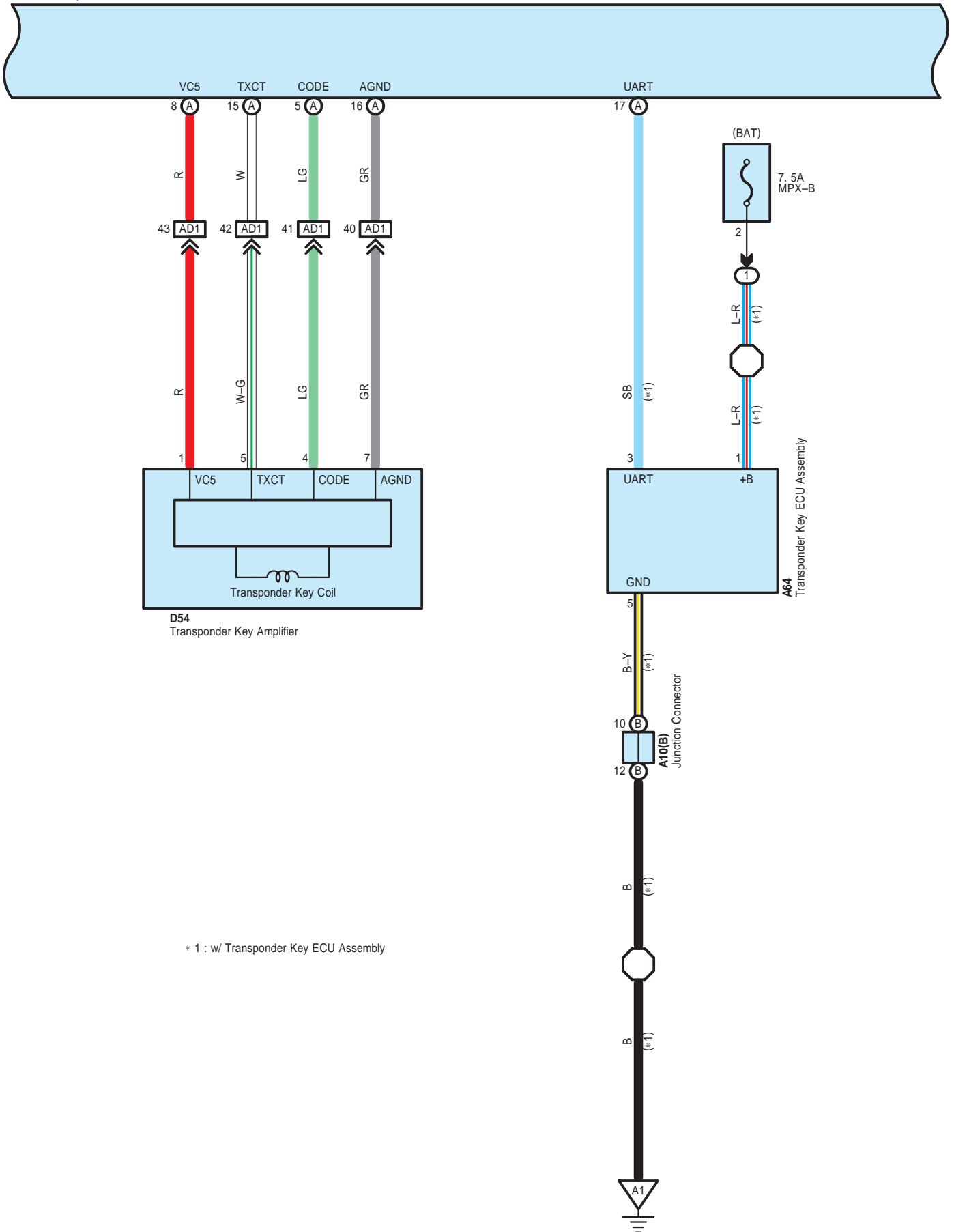
Engine Immobiliser System (w/o Smart Entry & Start System)



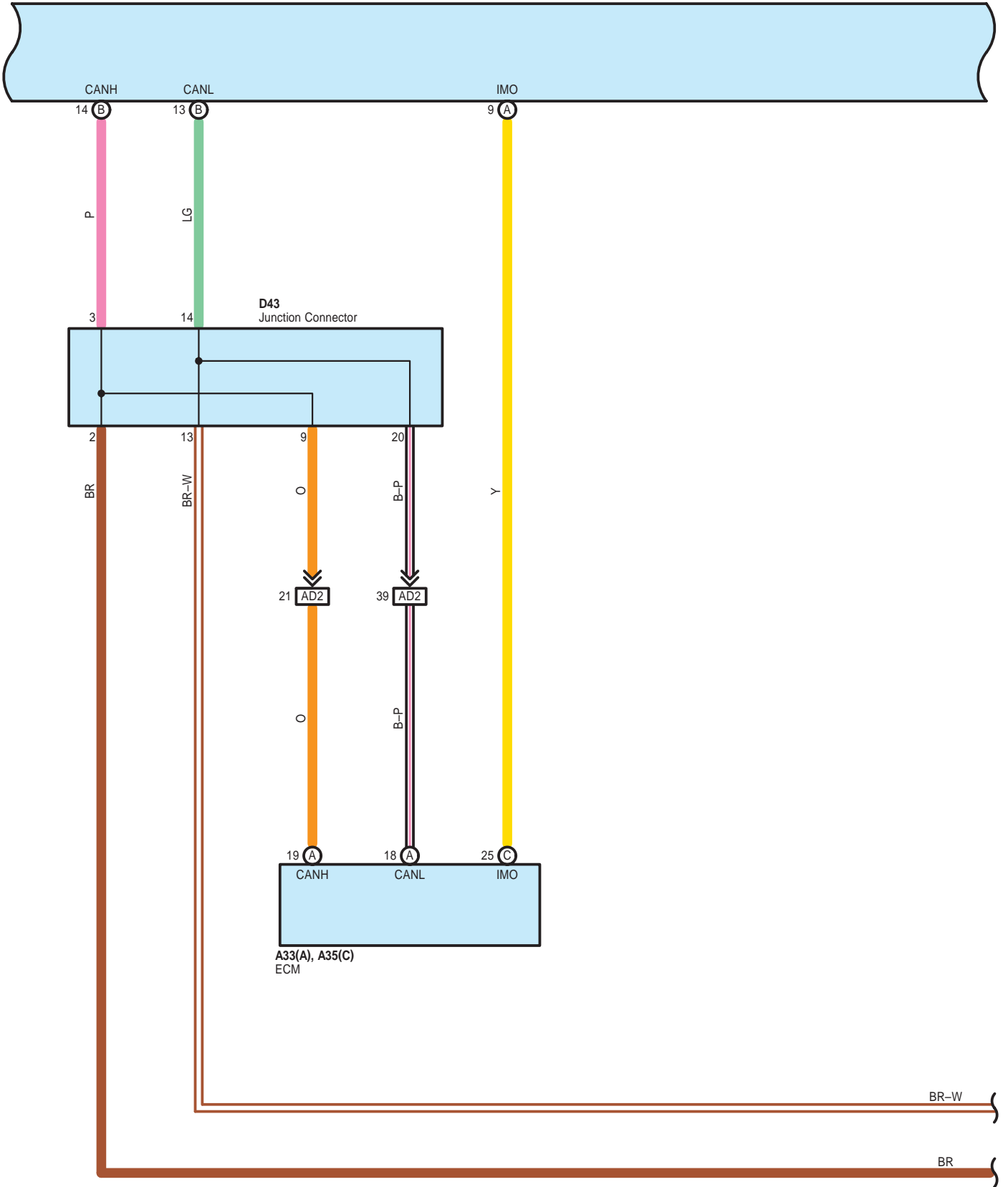


Engine Immobiliser System (w/o Smart Entry & Start System)

A73(A), D5(B), D6(C)
Main Body ECU

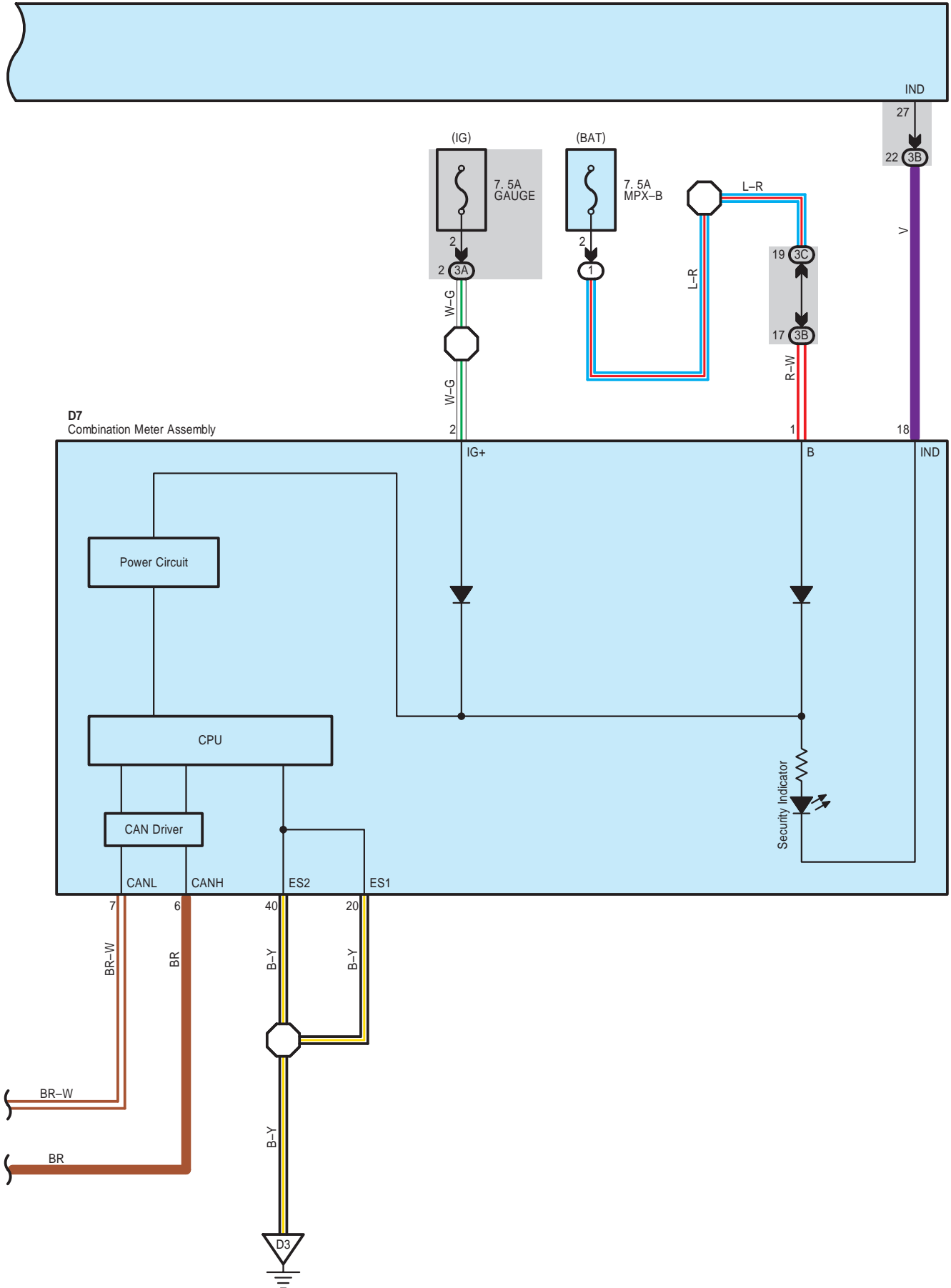


A73(A), D5(B), D6(C)
Main Body ECU



Engine Immobiliser System (w/o Smart Entry & Start System)

A73(A), D5(B), D6(C)
Main Body ECU



○ : Parts Location

Code			See Page			Code			See Page			Code			See Page		
A9	A	42	D5	B	40	D17	B	40									
A10	B	42	D6	C	40	D43		41									
A33	A	42	D7			D53		41									
A35	C	42	D8	A	40	D54		41									
A64		42	D9	B	40												
A73	A	42	D16	A	40												

○ : Relay Blocks

Code	See Page	Relay Blocks (Relay Block Location)
1	24	Engine Room R/B (Engine Compartment Right)

○ : Junction Block and Wire Harness Connector

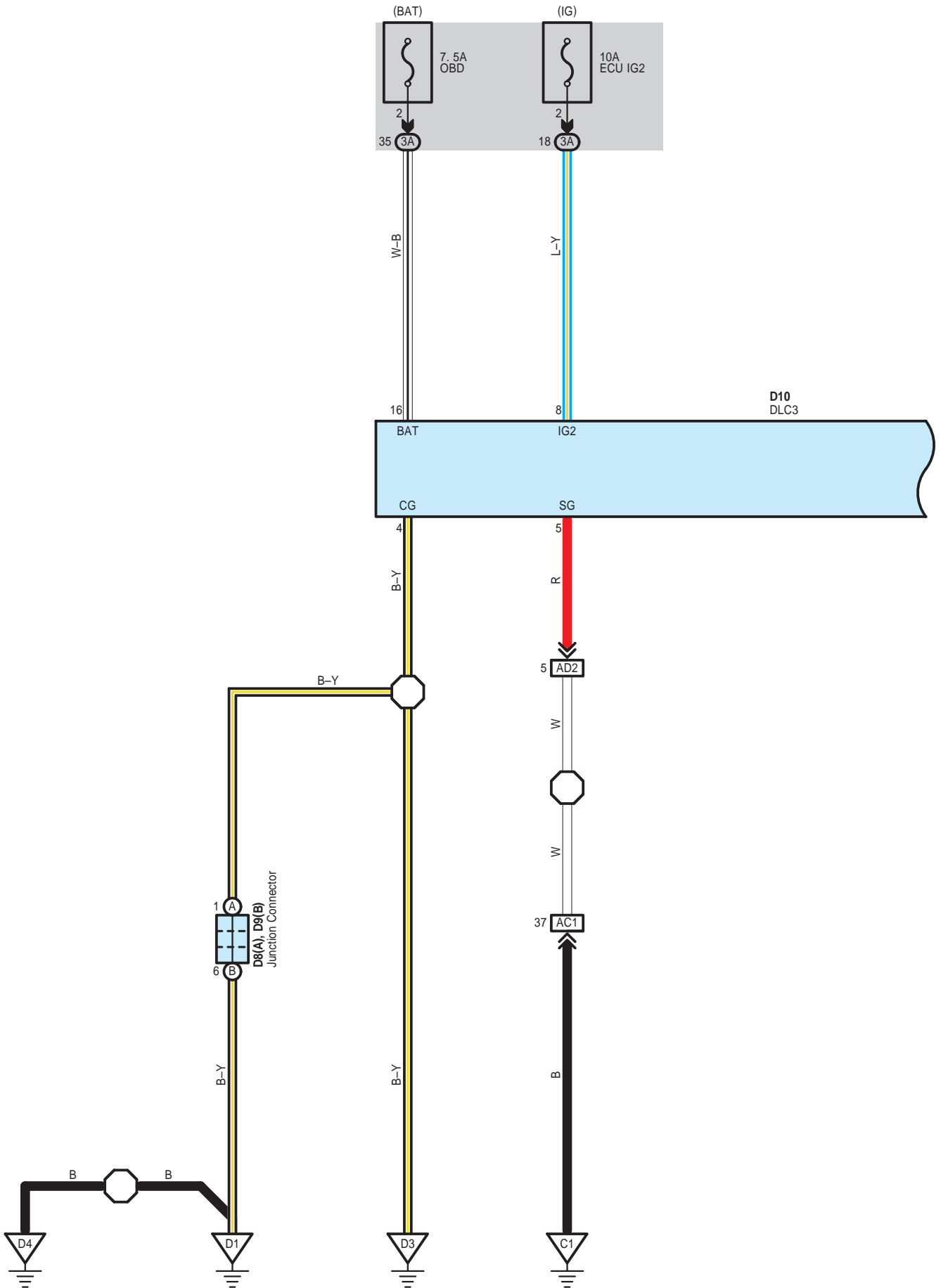
Code	See Page	Junction Block and Wire Harness (Connector Location)
3A	26	Instrument Panel Wire and Instrument Panel J/B Assembly (Instrument Panel Reinforcement)
3B		
3C	26	Engine Room Main Wire and Instrument Panel J/B Assembly (Instrument Panel Reinforcement)
3D	26	Instrument Panel Wire and Instrument Panel J/B Assembly (Instrument Panel Reinforcement)

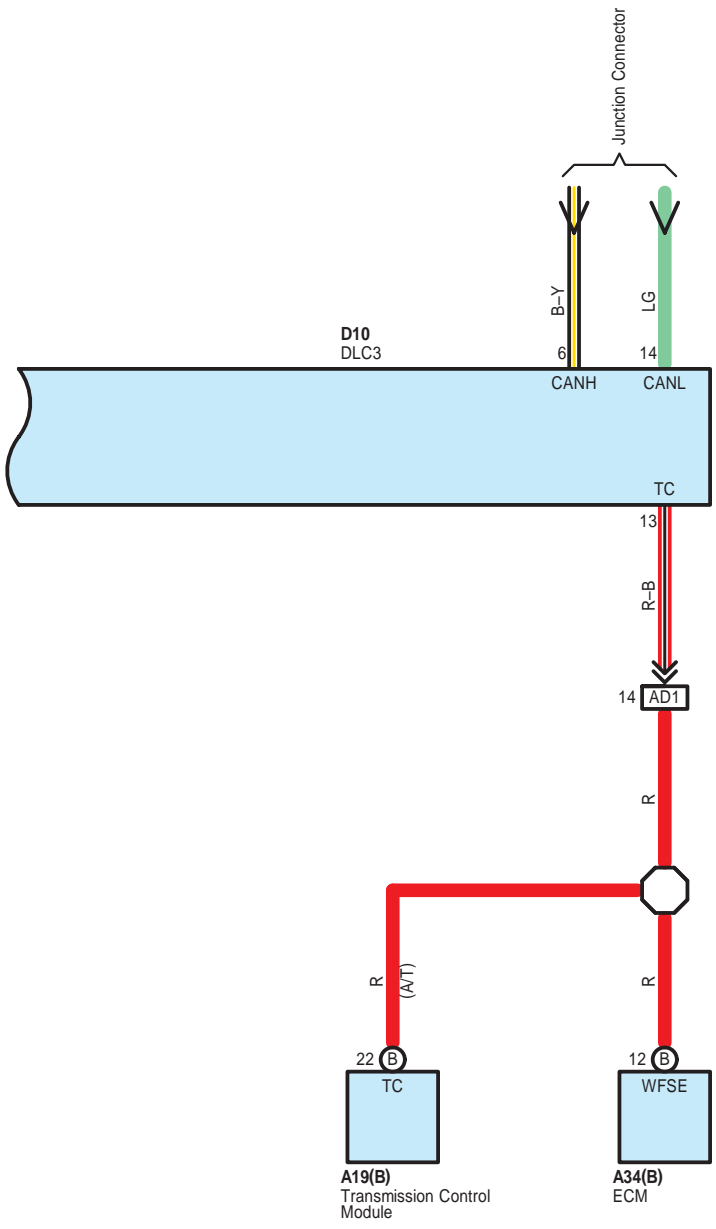
□ : Connector Joining Wire Harness and Wire Harness

Code	See Page	Joining Wire Harness and Wire Harness (Connector Location)
AD1	47	Engine Room Main Wire and Instrument Panel Wire (Cowl Side Panel LH)
AD2	47	Engine Room Main Wire and Instrument Panel Wire (Cowl Side Panel RH)

▽ : Ground Points

Code	See Page	Ground Points Location
A1	46	Front Fender Apron LH
A3	47	Cowl Side Panel RH
D1	47	Cowl Side Panel LH
D3	47	Instrument Panel Brace RH





DLC3

○ : Parts Location

Code		See Page	Code		See Page	Code		See Page
A19	B	42	D8	A	40	D10	40	
A34	B	42	D9	B	40			

○ : Junction Block and Wire Harness Connector

Code	See Page	Junction Block and Wire Harness (Connector Location)
3A	26	Instrument Panel Wire and Instrument Panel J/B Assembly (Instrument Panel Reinforcement)

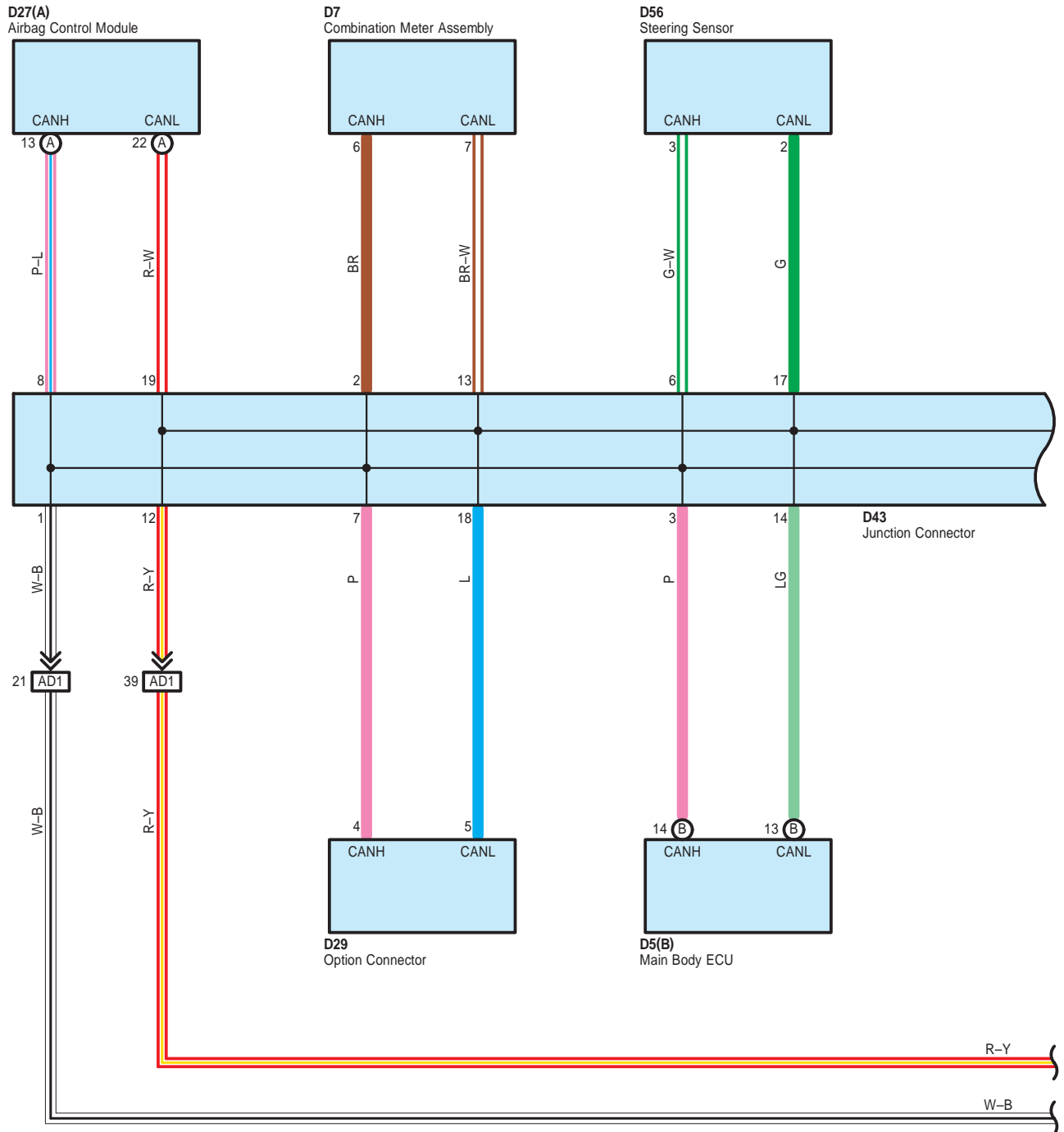
□ : Connector Joining Wire Harness and Wire Harness

Code	See Page	Joining Wire Harness and Wire Harness (Connector Location)
AC1	46	Engine Room Main Wire and Engine Wire (Engine Unit)
AD1	47	Engine Room Main Wire and Instrument Panel Wire (Cowl Side Panel LH)
AD2	47	Engine Room Main Wire and Instrument Panel Wire (Cowl Side Panel RH)

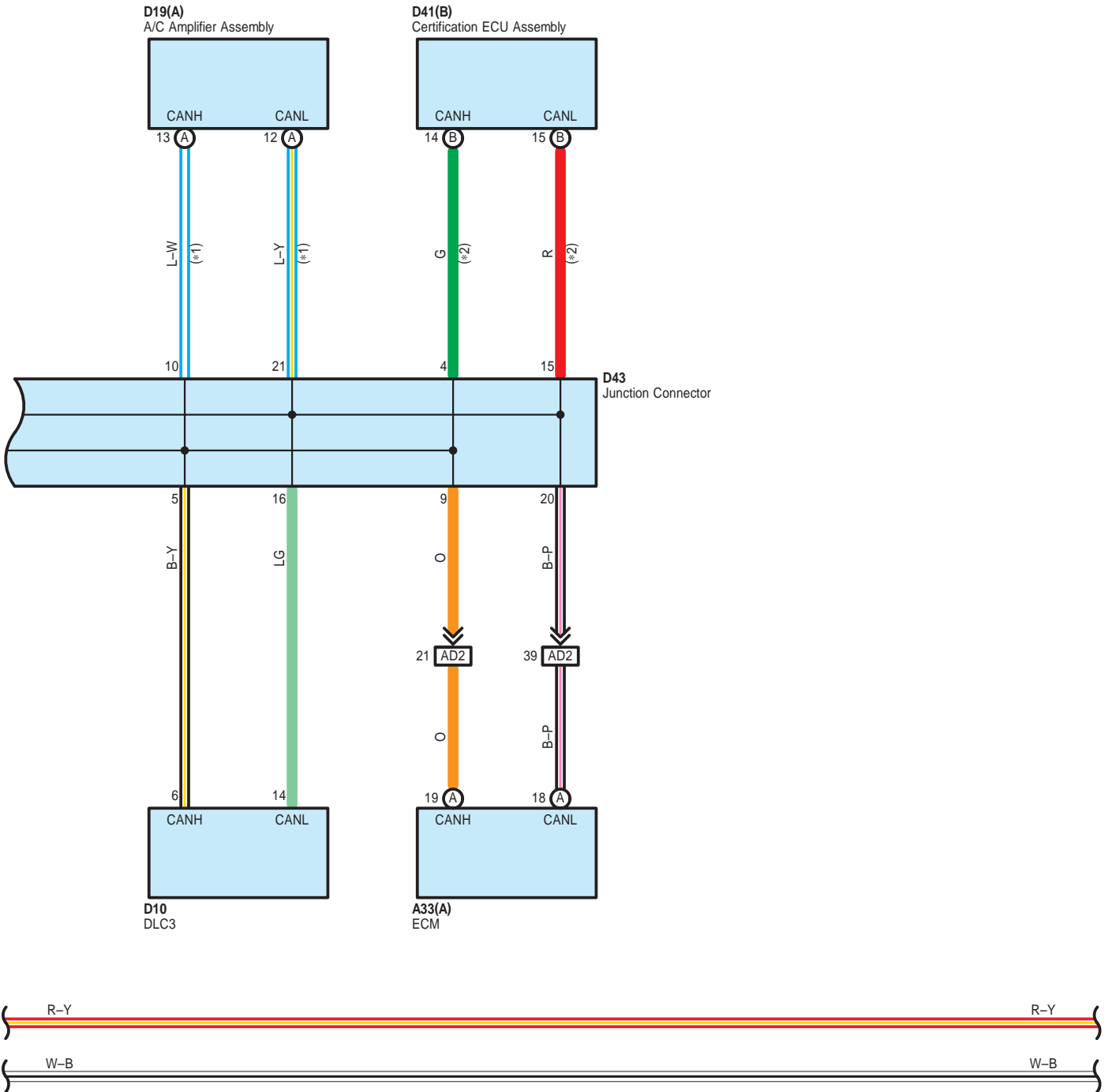
▽ : Ground Points

Code	See Page	Ground Points Location
C1	46	Engine Unit
D1	47	Cowl Side Panel LH
D3	47	Instrument Panel Brace RH
D4	47	Cowl Side Panel RH

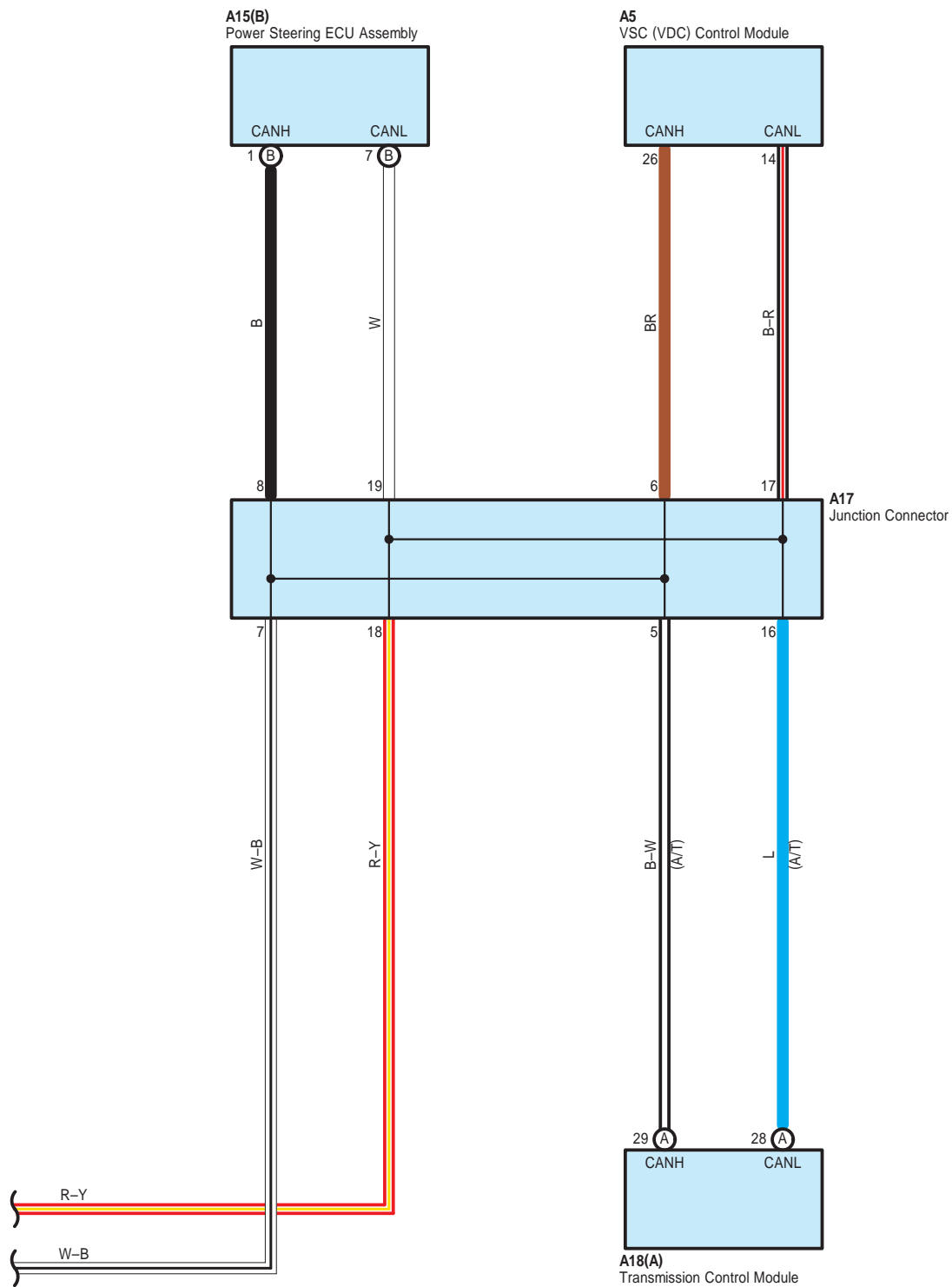
Multiplex Communication System (CAN)



* 1 : Automatic A/C
 * 2 : w/ Smart Entry & Start System



Multiplex Communication System (CAN)



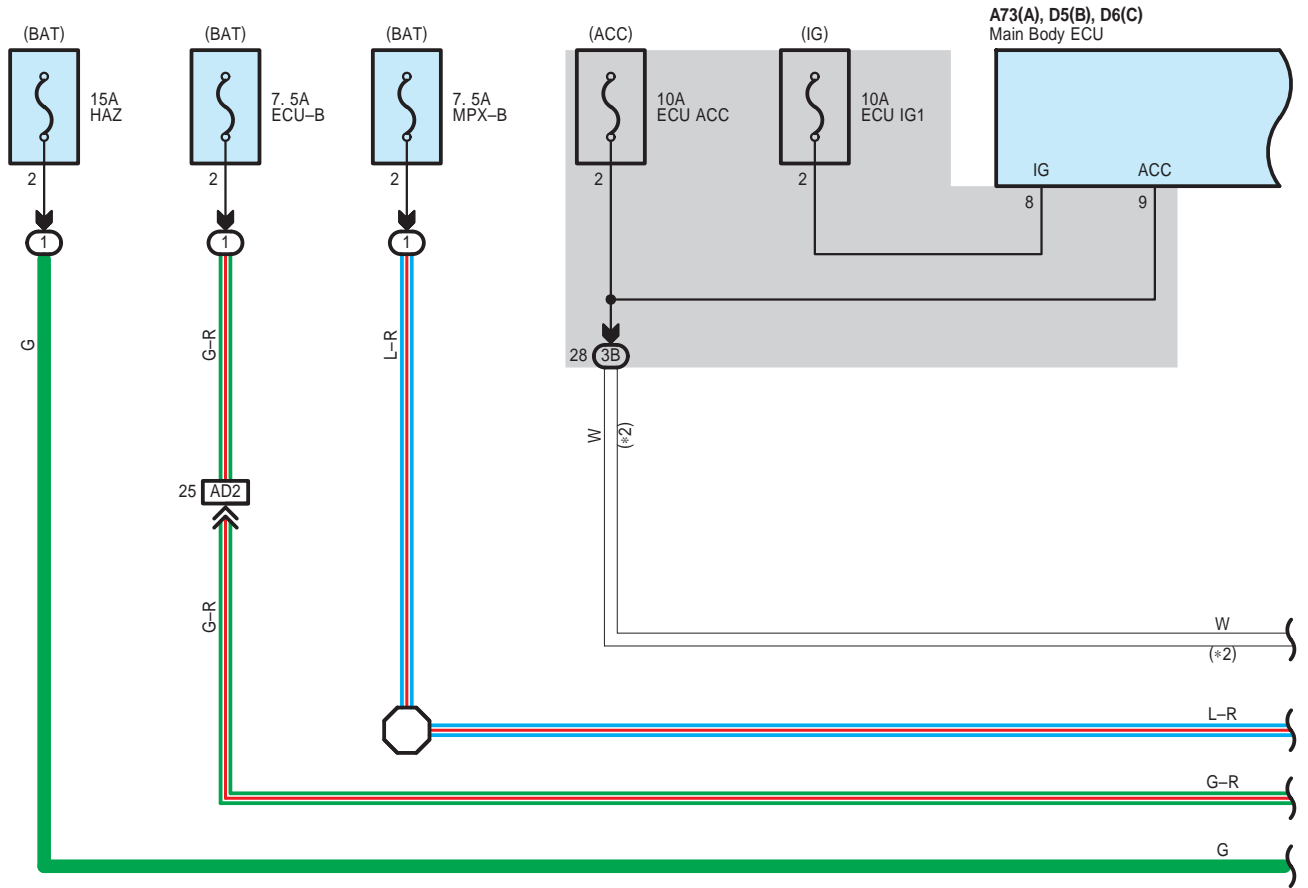
○ : Parts Location

Code		See Page	Code		See Page	Code		See Page
A5		39	D5	B	40	D29		40
A15	B	42	D7		40	D41	B	41
A17		42	D10		40	D43		41
A18	A	42	D19	A	40	D56		41
A33	A	42	D27	A	40			

□ : Connector Joining Wire Harness and Wire Harness

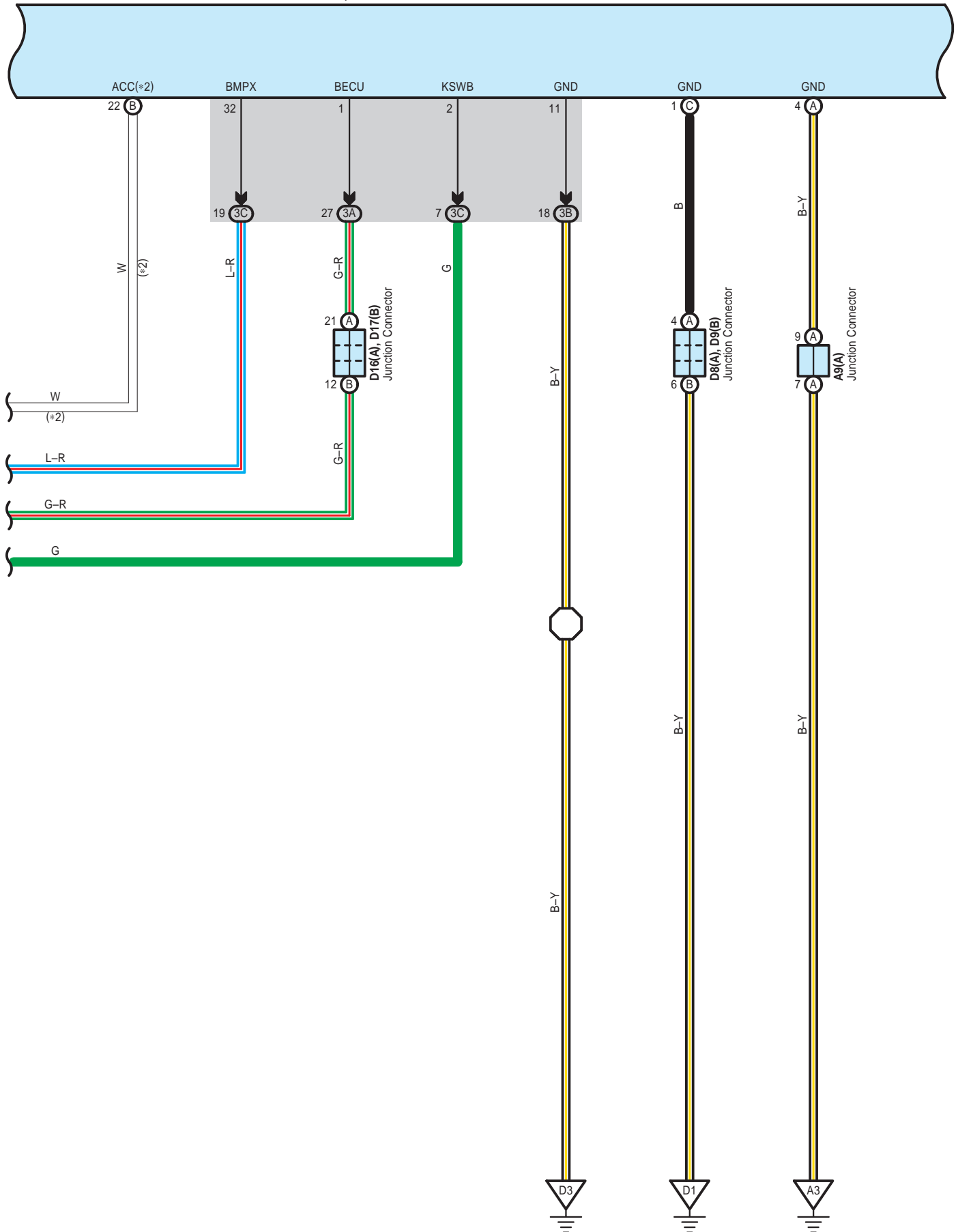
Code	See Page	Joining Wire Harness and Wire Harness (Connector Location)
AD1	47	Engine Room Main Wire and Instrument Panel Wire (Cowl Side Panel LH)
AD2	47	Engine Room Main Wire and Instrument Panel Wire (Cowl Side Panel RH)

Headlight



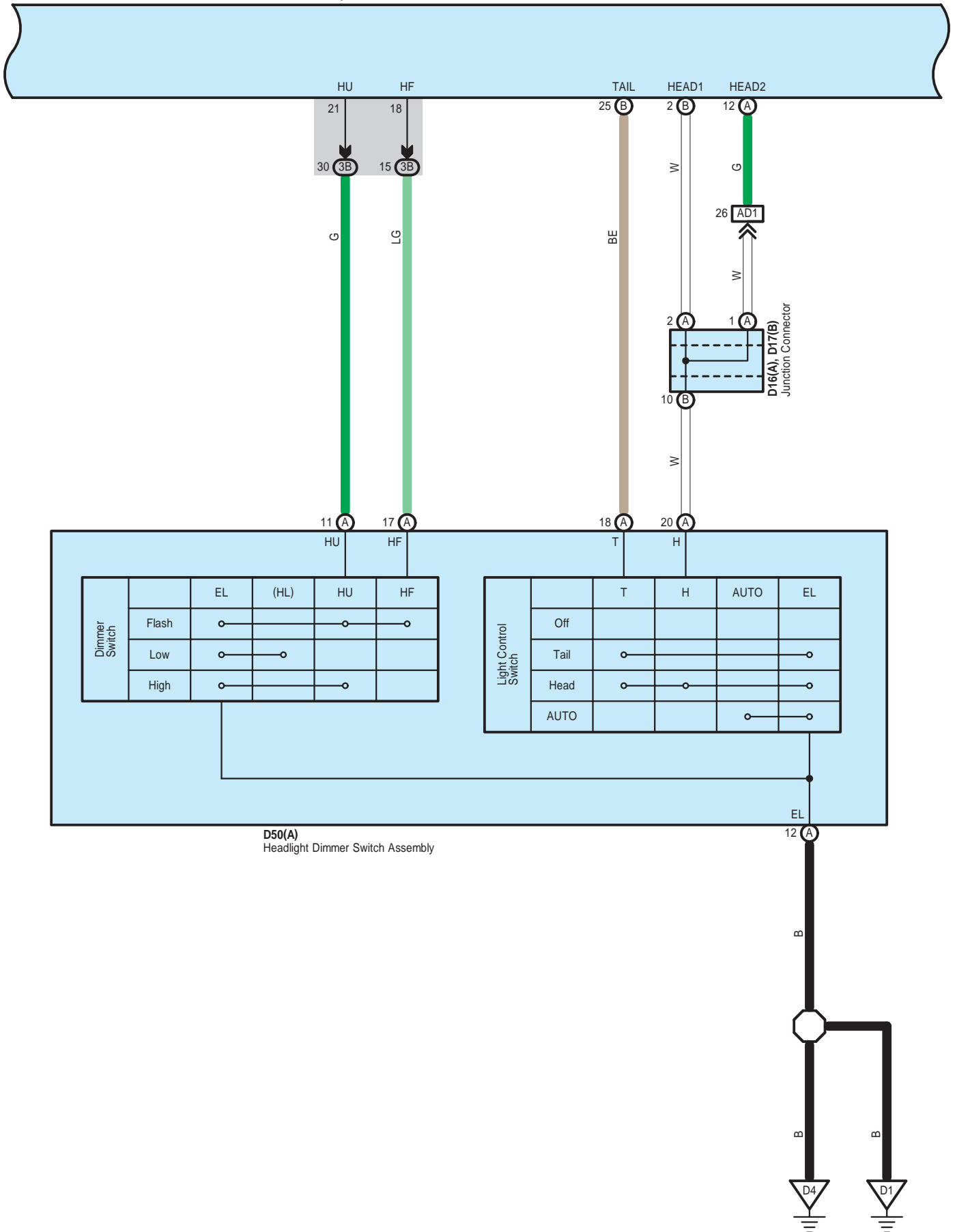
* 2 : w/ Smart Entry & Start System

A73(A), D5(B), D6(C)
Main Body ECU

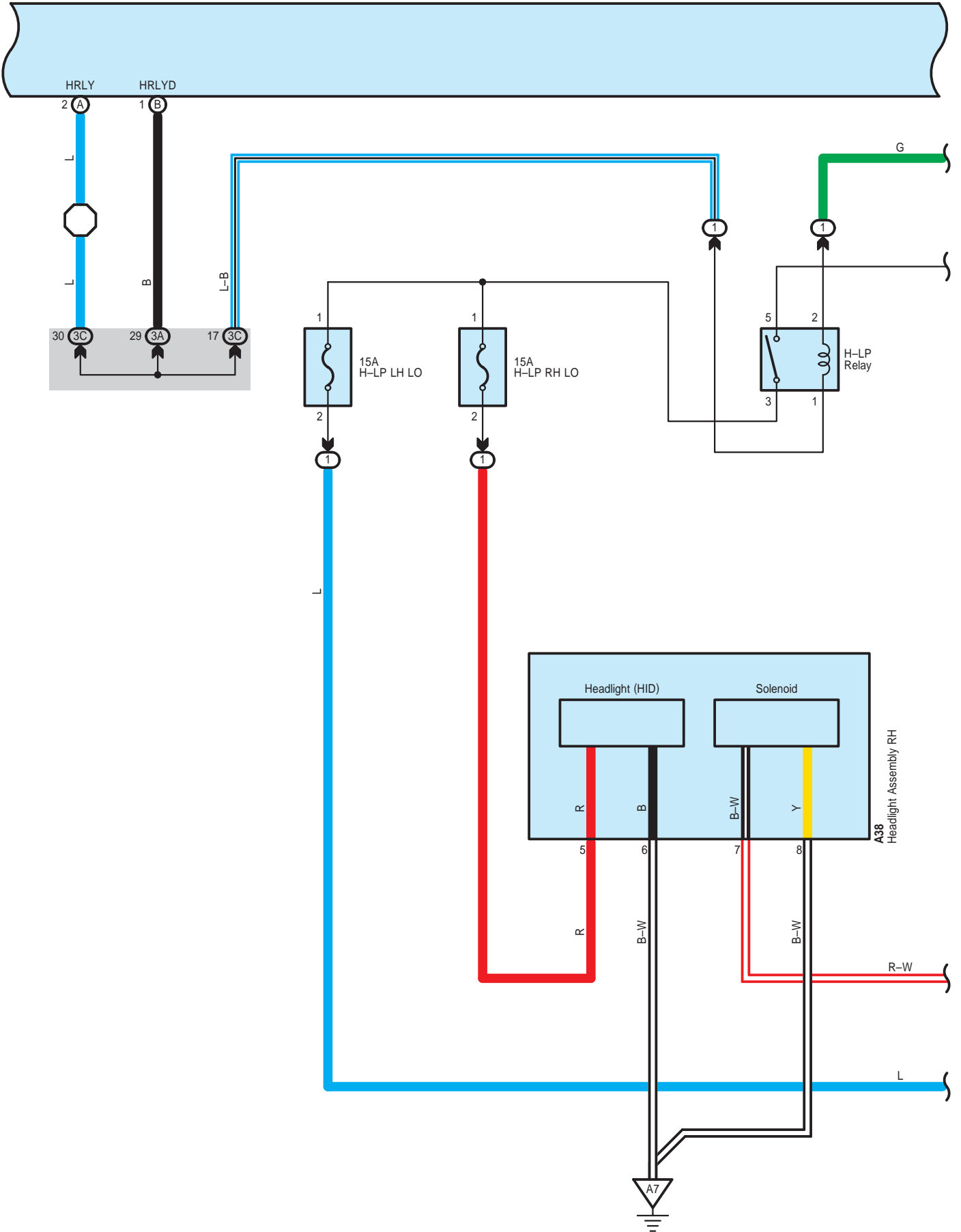


Headlight

A73(A), D5(B), D6(C)
Main Body ECU

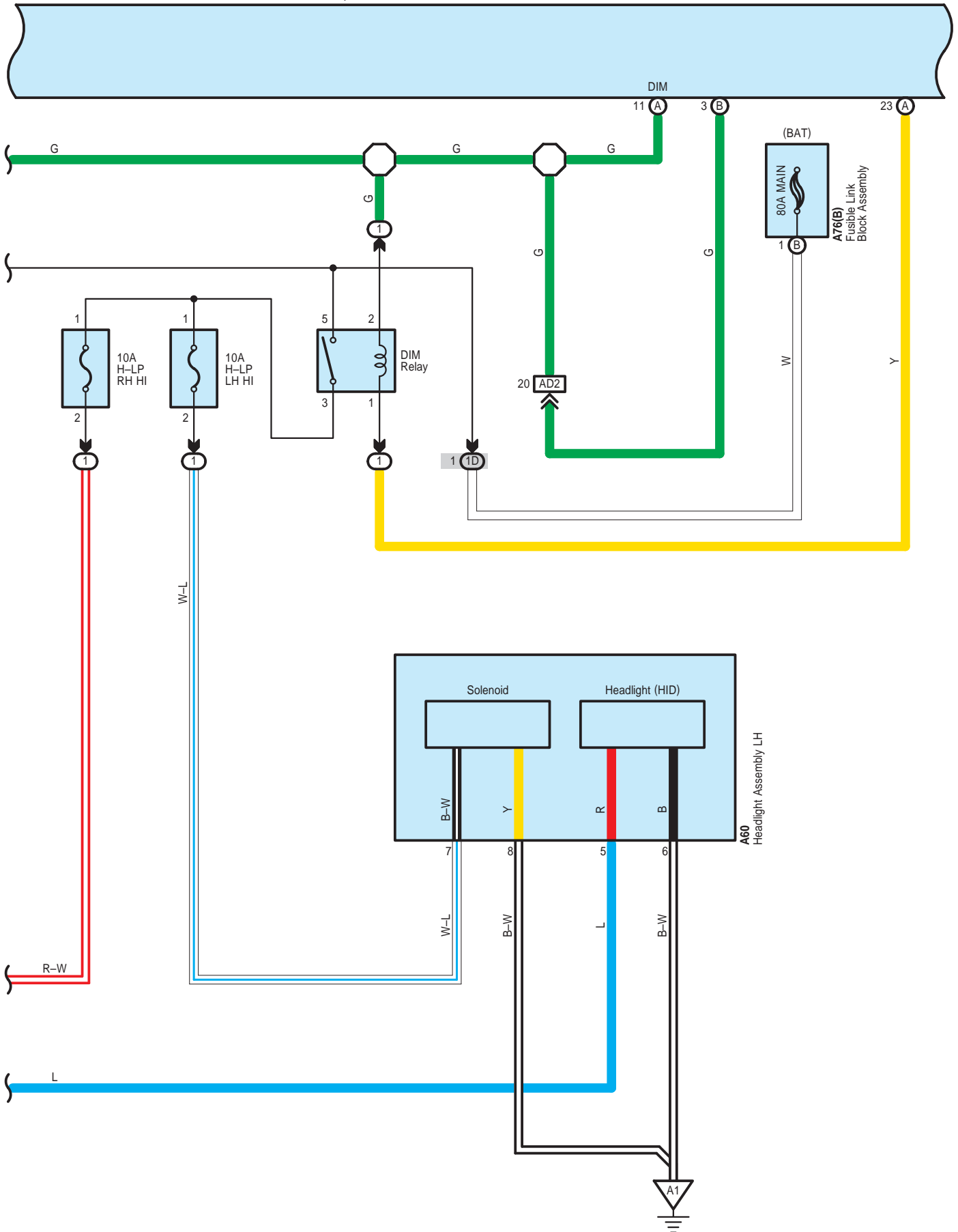


A73(A), D5(B), D6(C)
Main Body ECU

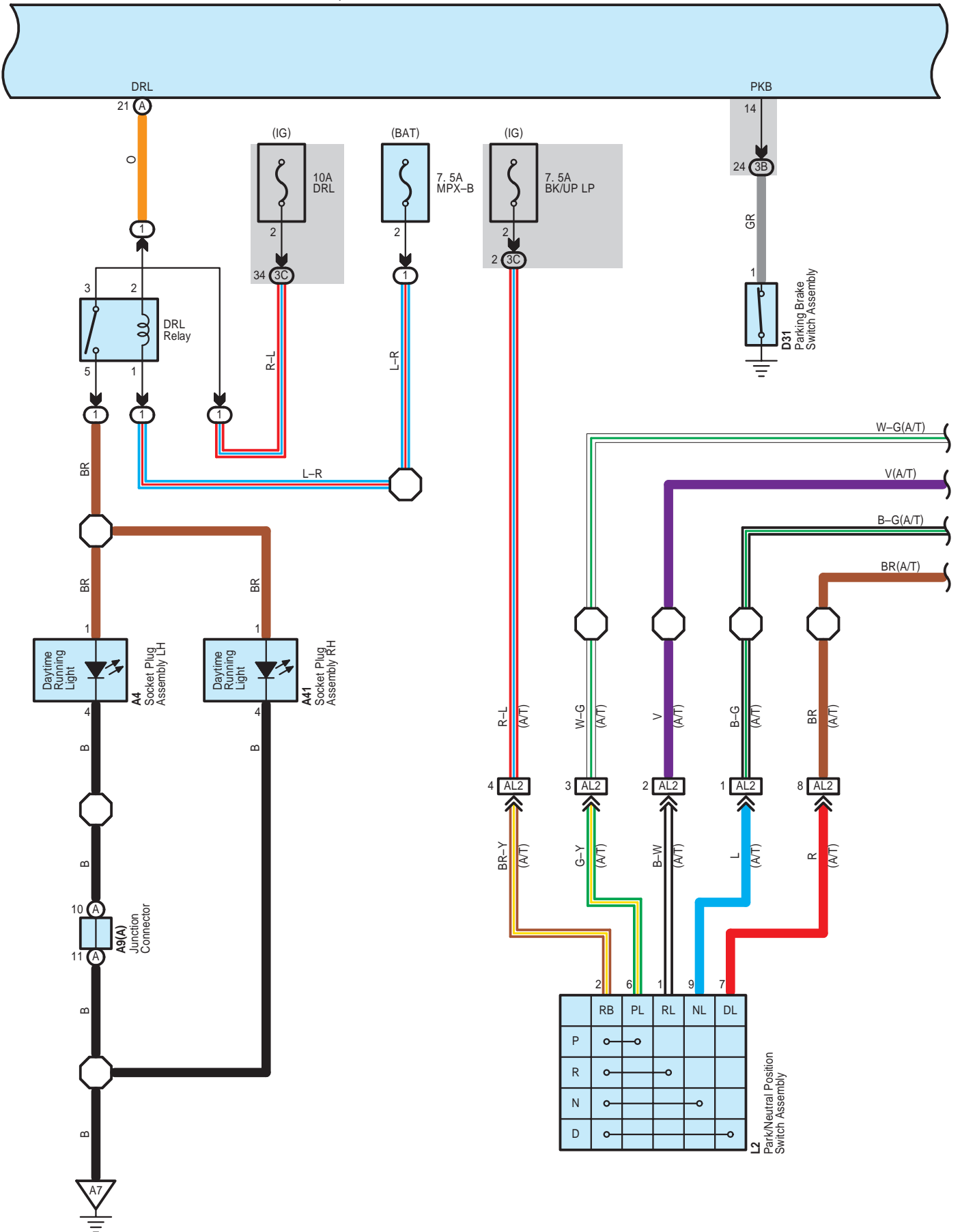


Headlight

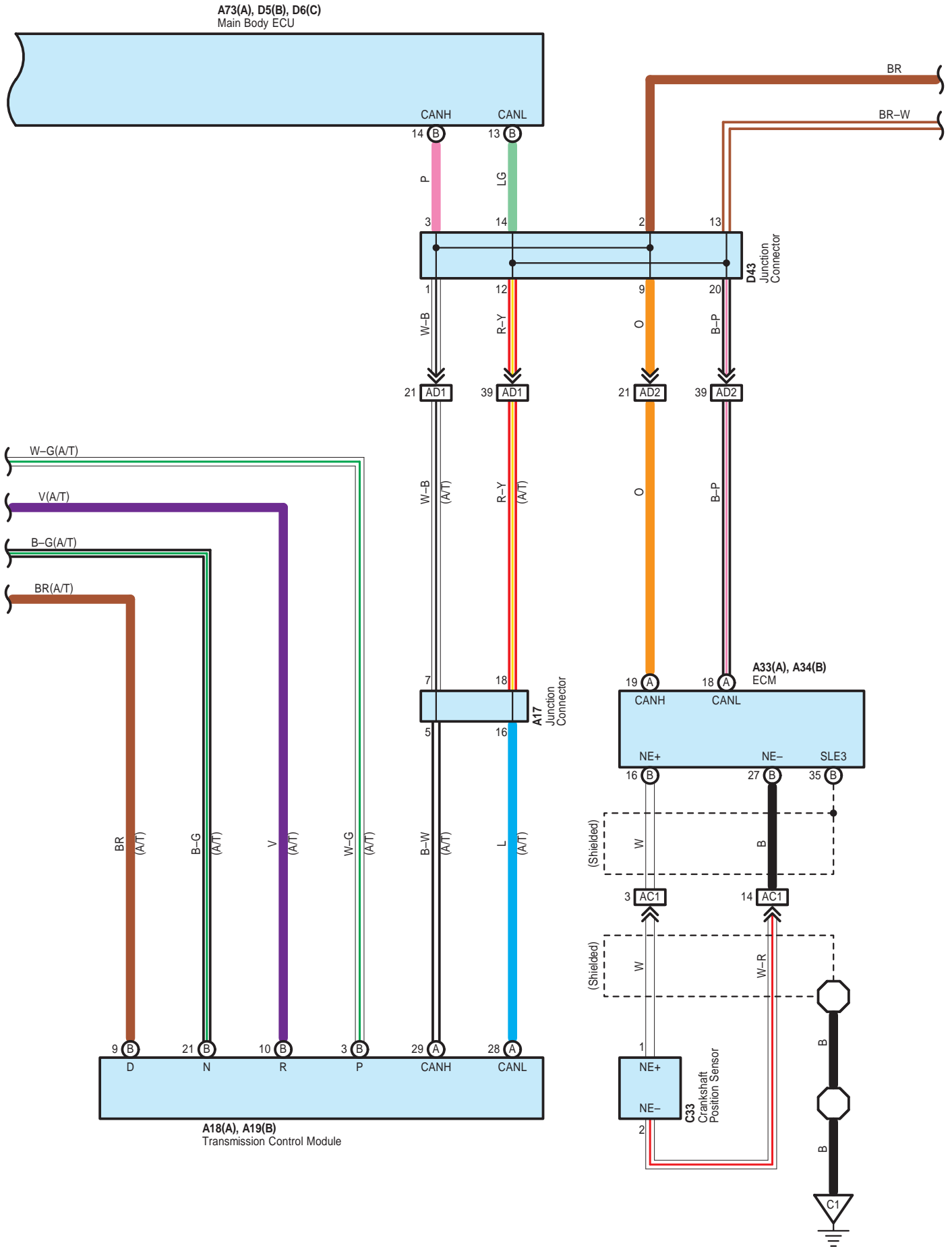
A73(A), D5(B), D6(C)
Main Body ECU

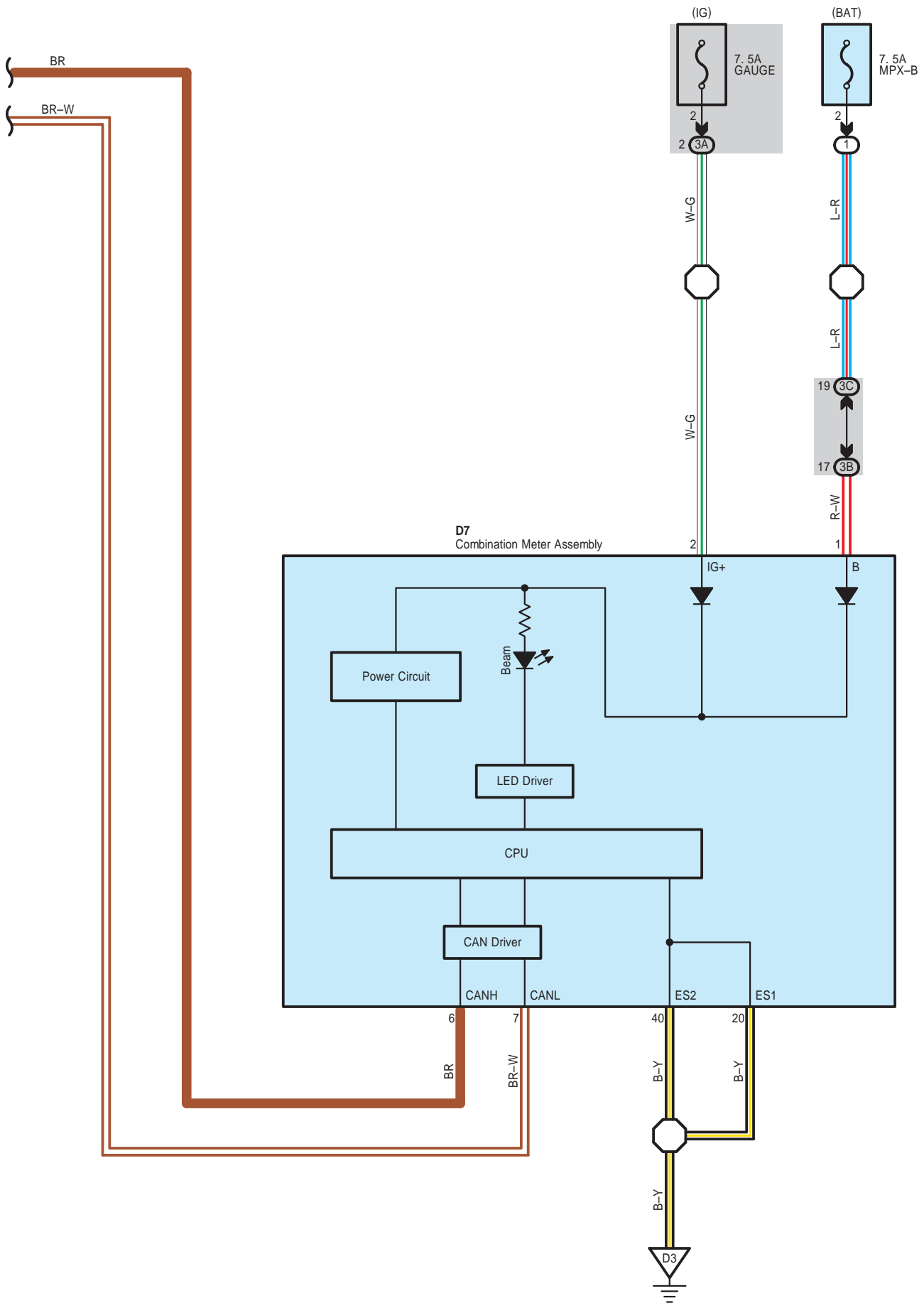


A73(A), D5(B), D6(C)
Main Body ECU



Headlight





Headlight

: Parts Location

Code	See Page	Code	See Page	Code	See Page
A4	39	A41	39	D8	A 40
A9	A 42	A60	39	D9	B 40
A17	42	A73	A 42	D16	A 40
A18	A 42	A76	B 36, 39	D17	B 40
A19	B 42	C33	38	D31	40
A33	A 42	D5	B 40	D43	41
A34	B 42	D6	C 40	D50	A 41
A38	39	D7	40	L2	39

: Relay Blocks

Code	See Page	Relay Blocks (Relay Block Location)
1	24	Engine Room R/B (Engine Compartment Right)

: Junction Block and Wire Harness Connector

Code	See Page	Junction Block and Wire Harness (Connector Location)
1D	24	Engine Room Main Wire and Engine Room J/B (Engine Compartment Right)
3A	26	Instrument Panel Wire and Instrument Panel J/B Assembly (Instrument Panel Reinforcement)
3B		
3C	26	Engine Room Main Wire and Instrument Panel J/B Assembly (Instrument Panel Reinforcement)

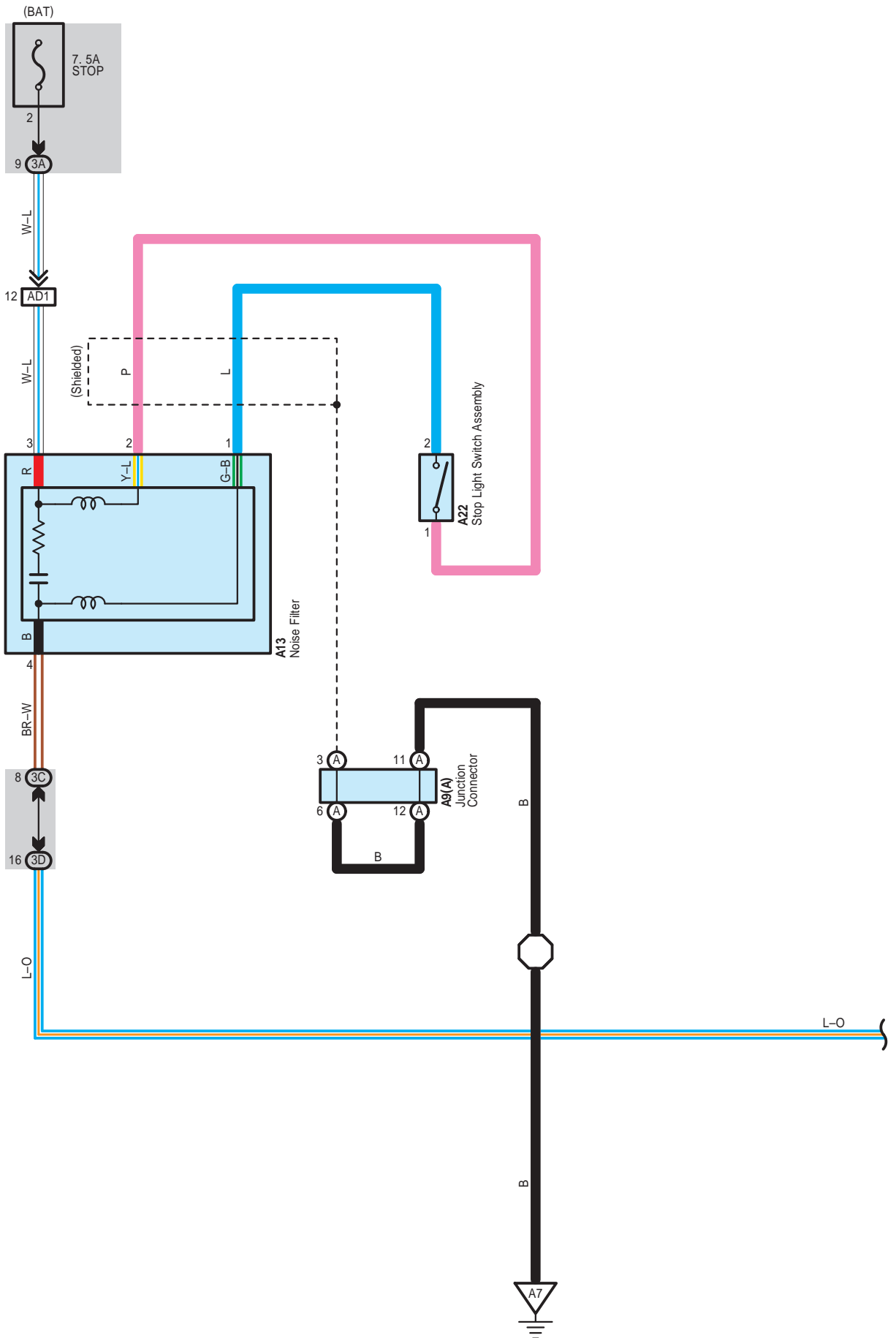
: Connector Joining Wire Harness and Wire Harness

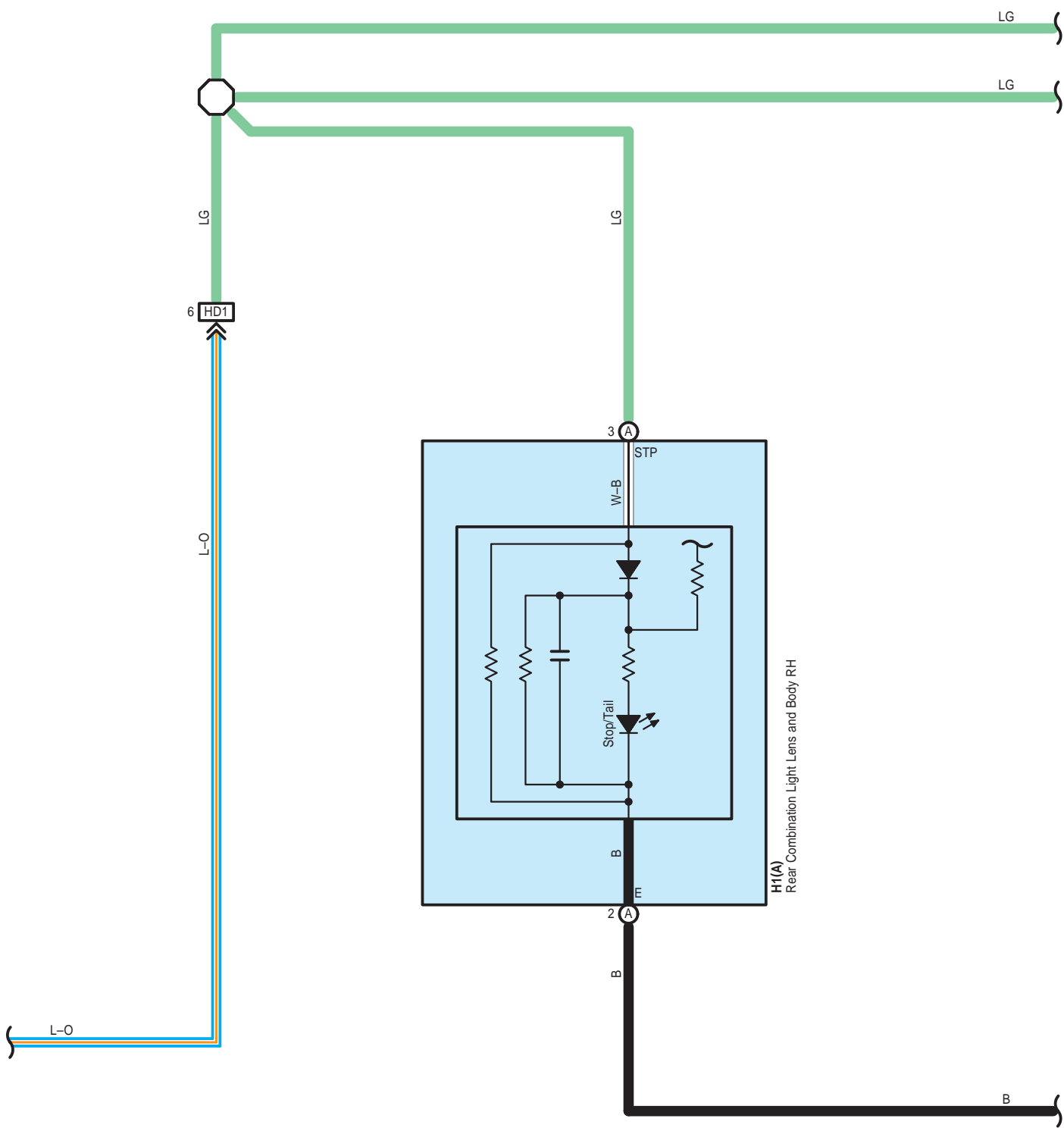
Code	See Page	Joining Wire Harness and Wire Harness (Connector Location)
AC1	46	Engine Room Main Wire and Engine Wire (Engine Unit)
AD1	47	Engine Room Main Wire and Instrument Panel Wire (Cowl Side Panel LH)
AD2	47	Engine Room Main Wire and Instrument Panel Wire (Cowl Side Panel RH)
AL2	46	Engine Room Main Wire and Transmission Wire (Dash Panel)

: Ground Points

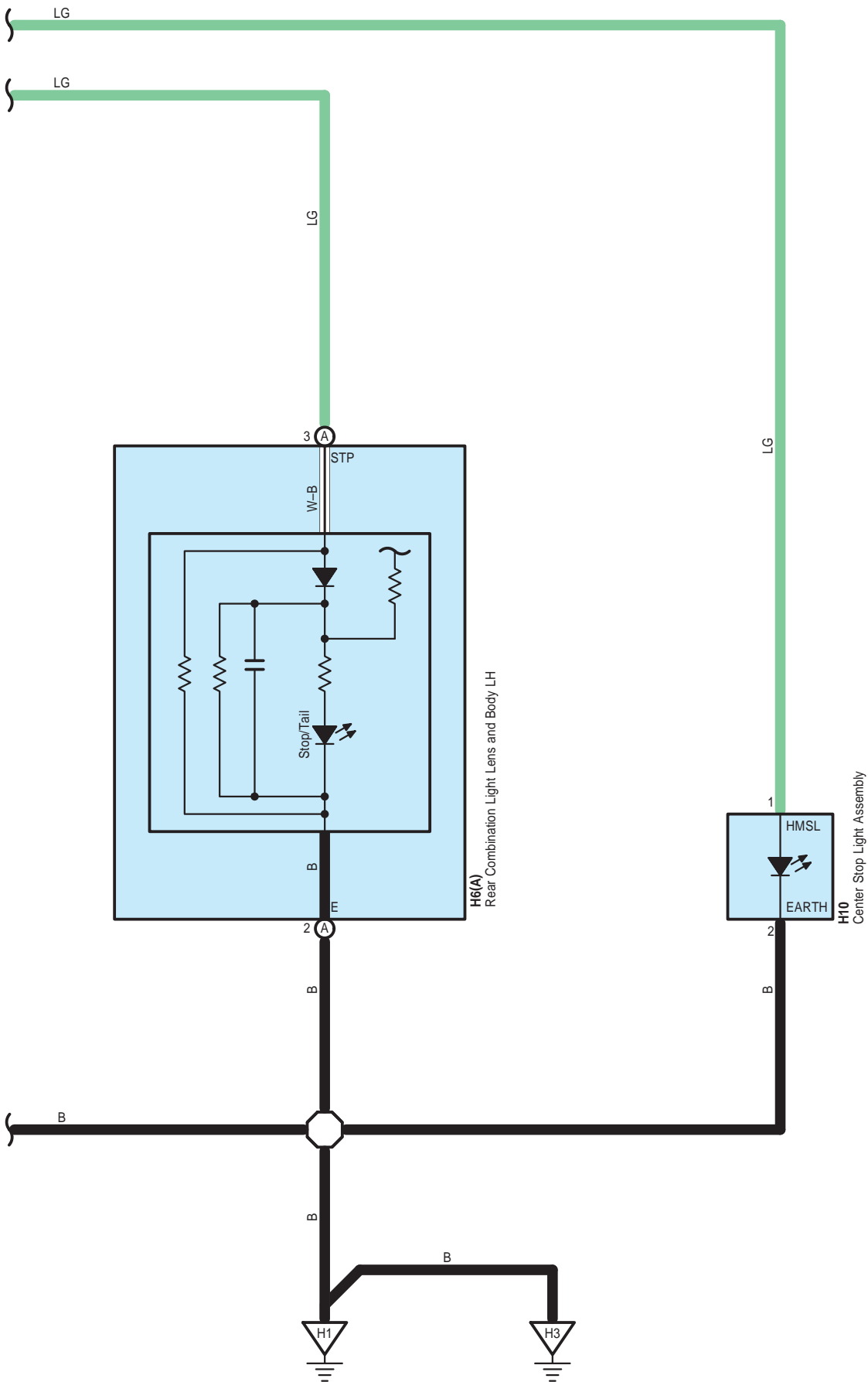
Code	See Page	Ground Points Location
A1	46	Front Fender Apron LH
A3	47	Cowl Side Panel RH
A7	46	Front Fender Apron RH
C1	46	Engine Unit
D1	47	Cowl Side Panel LH
D3	47	Instrument Panel Brace RH
D4	47	Cowl Side Panel RH

Stop Light





Stop Light



○ : Parts Location

Code		See Page	Code		See Page	Code		See Page
A9	A	42	A22		42	H6	A	45
A13		42	H1	A	45	H10		45

○ : Junction Block and Wire Harness Connector

Code	See Page	Junction Block and Wire Harness (Connector Location)
3A	26	Instrument Panel Wire and Instrument Panel J/B Assembly (Instrument Panel Reinforcement)
3C	26	Engine Room Main Wire and Instrument Panel J/B Assembly (Instrument Panel Reinforcement)
3D	26	Instrument Panel Wire and Instrument Panel J/B Assembly (Instrument Panel Reinforcement)

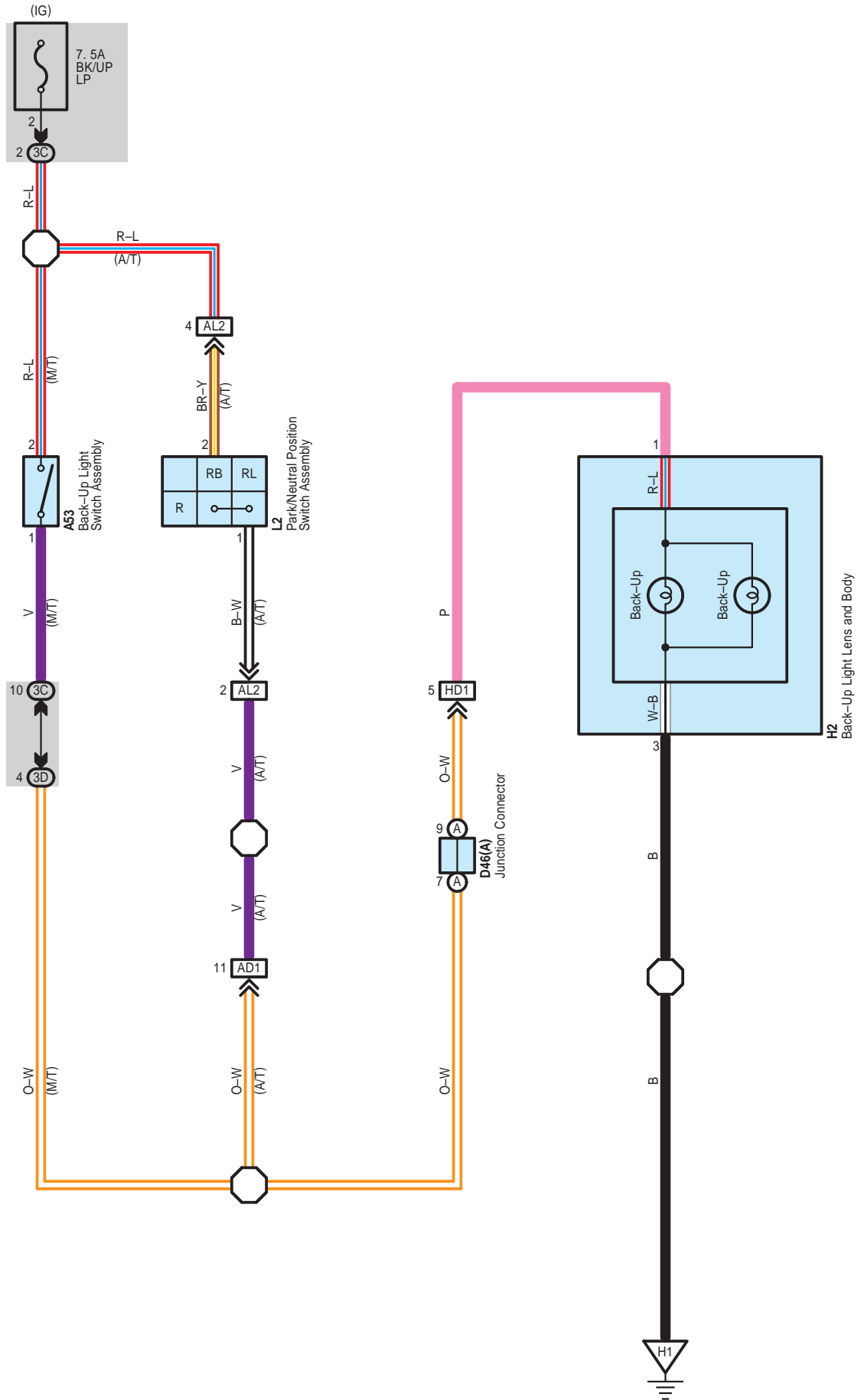
□ : Connector Joining Wire Harness and Wire Harness

Code	See Page	Joining Wire Harness and Wire Harness (Connector Location)
AD1	47	Engine Room Main Wire and Instrument Panel Wire (Cowl Side Panel LH)
HD1	47	No. 2 Floor Wire and Instrument Panel Wire (Cowl Side Panel LH)

▽ : Ground Points

Code	See Page	Ground Points Location
A7	46	Front Fender Apron RH
H1	48	Lower Back Panel
H3	48	Quarter Wheel House Panel LH

Back-Up Light



○ : Parts Location

Code	See Page	Code	See Page	Code	See Page
A53	39	H2	45		
D46	A 41	L2	39		

○ : Junction Block and Wire Harness Connector

Code	See Page	Junction Block and Wire Harness (Connector Location)
3C	26	Engine Room Main Wire and Instrument Panel J/B Assembly (Instrument Panel Reinforcement)
3D	26	Instrument Panel Wire and Instrument Panel J/B Assembly (Instrument Panel Reinforcement)

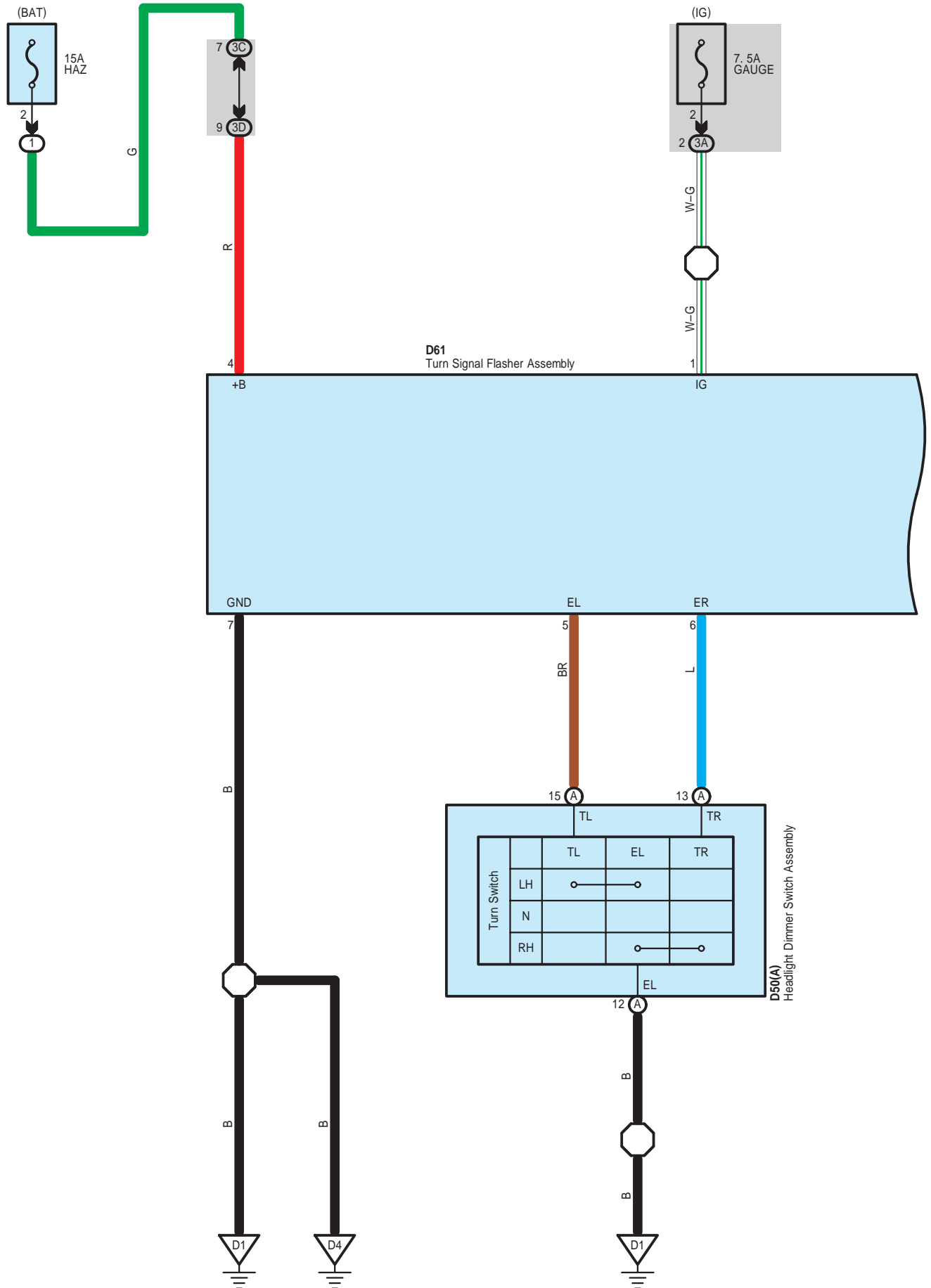
□ : Connector Joining Wire Harness and Wire Harness

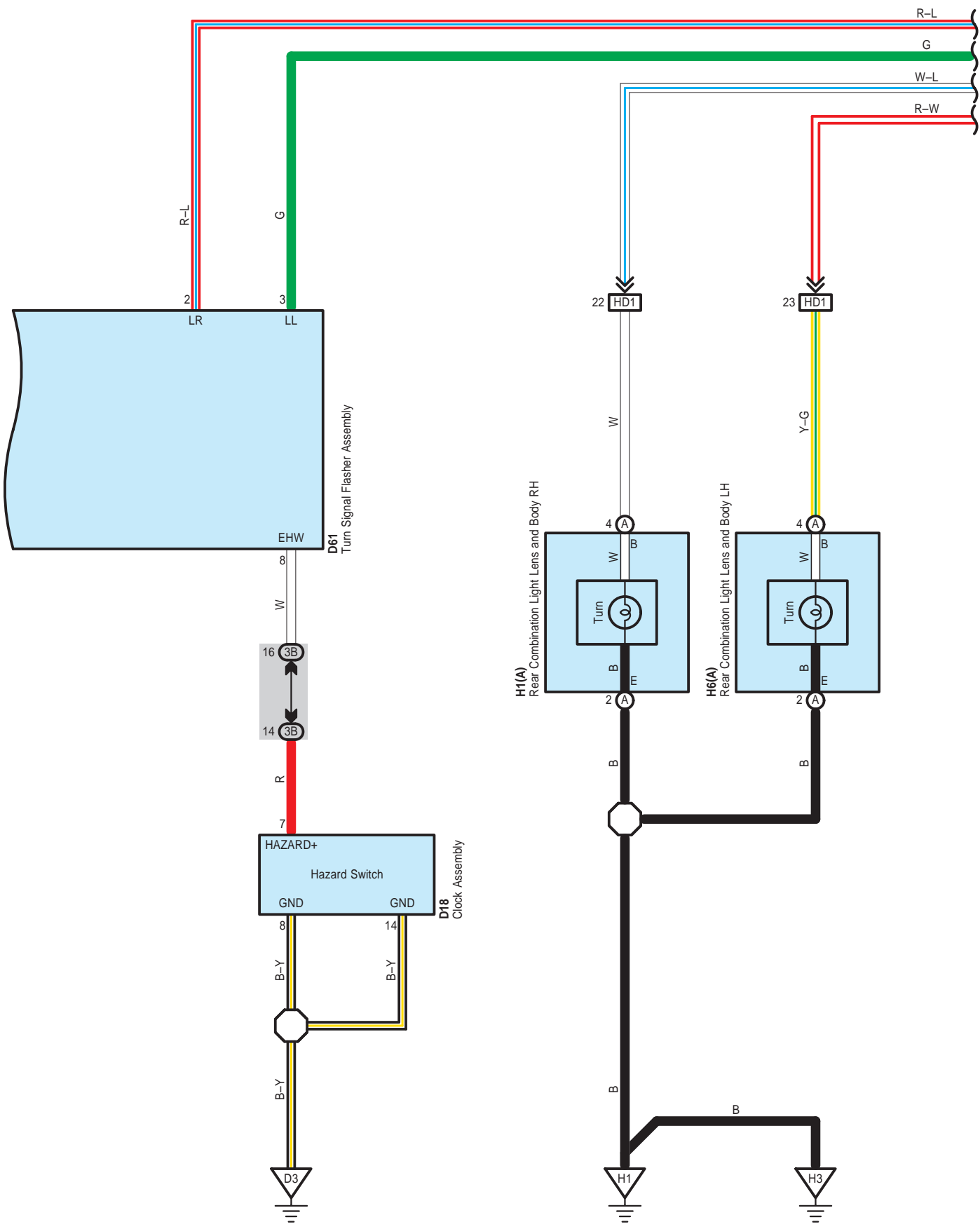
Code	See Page	Joining Wire Harness and Wire Harness (Connector Location)
AD1	47	Engine Room Main Wire and Instrument Panel Wire (Cowl Side Panel LH)
AL2	46	Engine Room Main Wire and Transmission Wire (Dash Panel)
HD1	47	No. 2 Floor Wire and Instrument Panel Wire (Cowl Side Panel LH)

▽ : Ground Points

Code	See Page	Ground Points Location
H1	48	Lower Back Panel

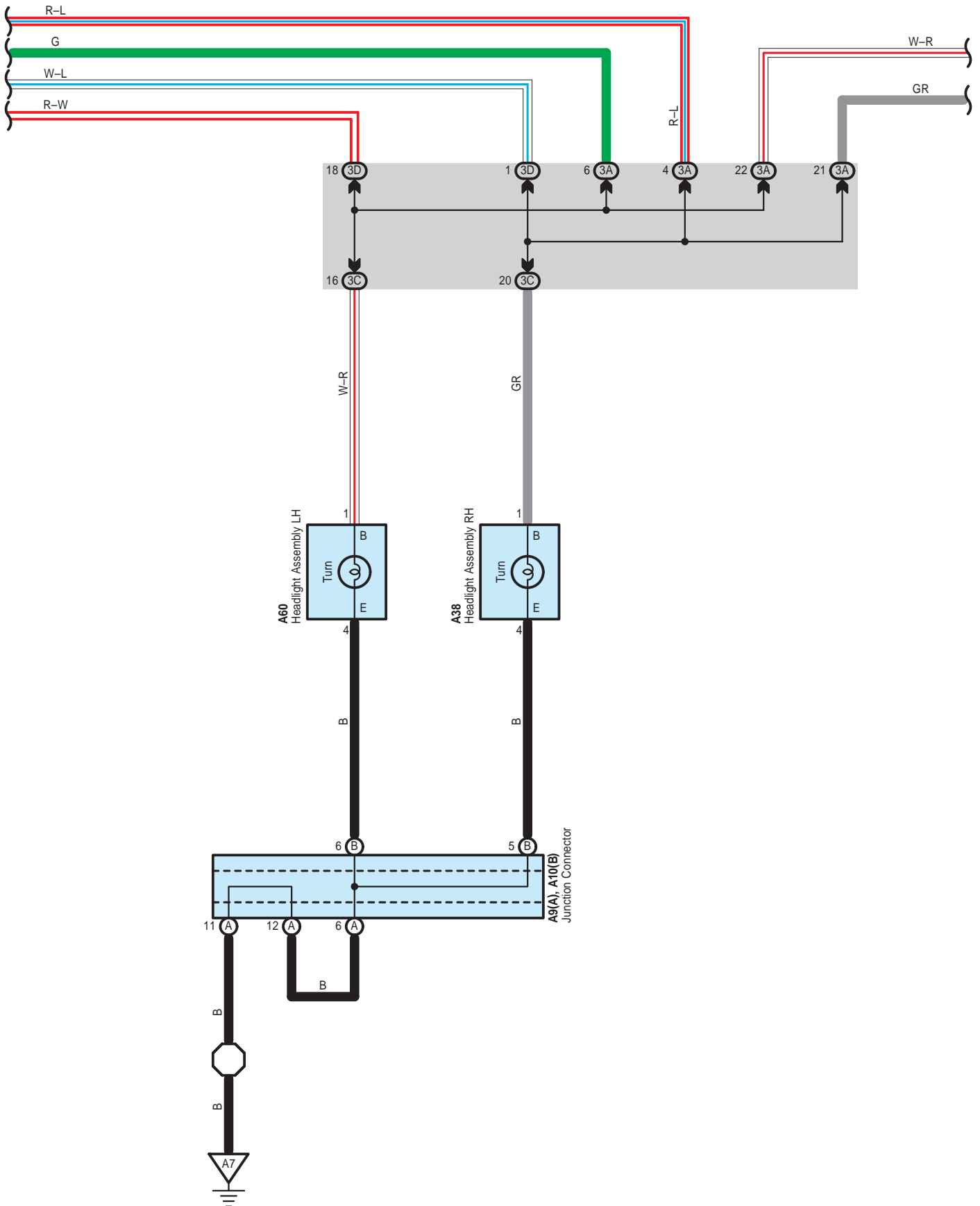
Turn Signal and Hazard Warning Light

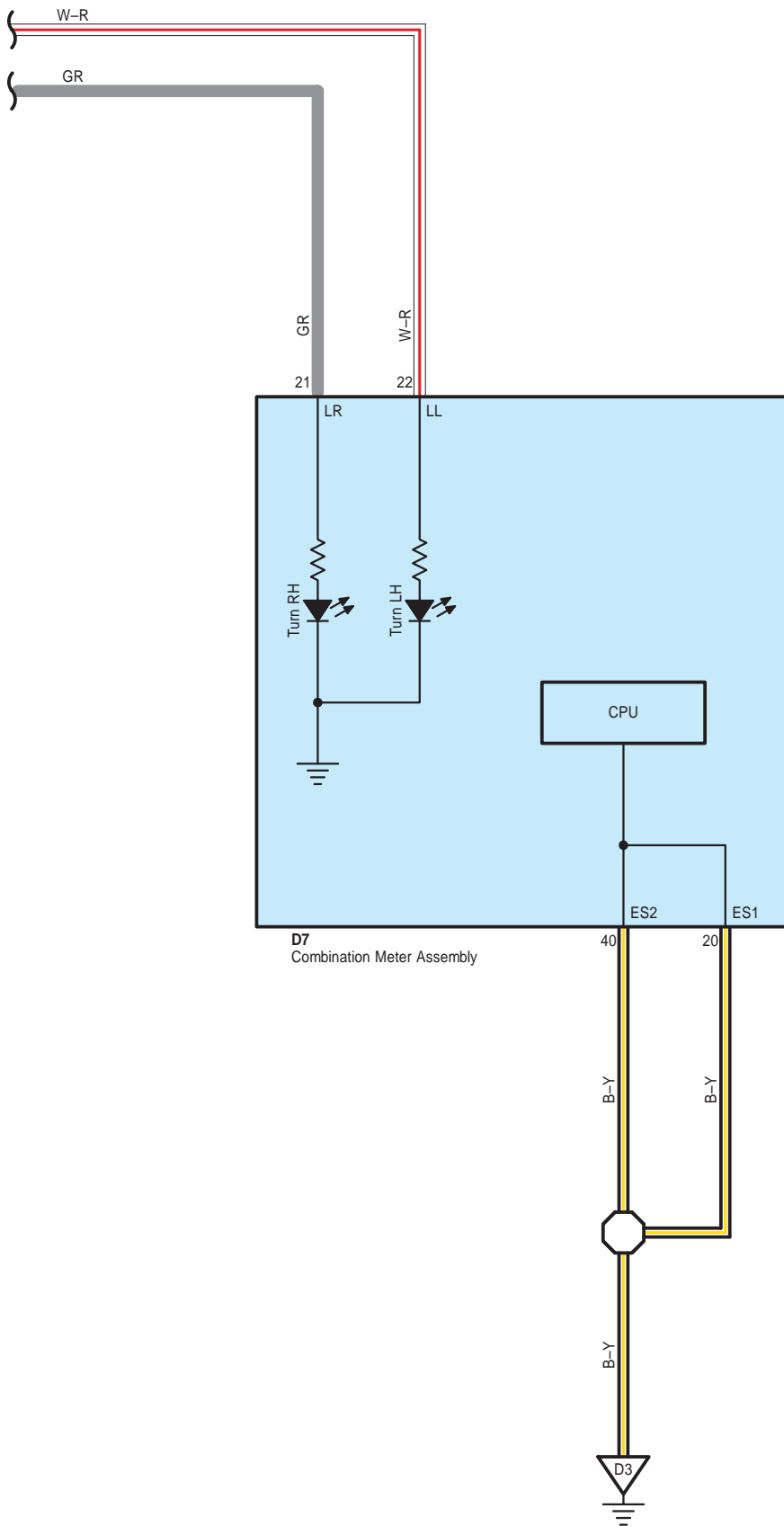




BRZ (G4420BE)

Turn Signal and Hazard Warning Light





BRZ (G4420BE)

Turn Signal and Hazard Warning Light

: Parts Location

Code		See Page	Code		See Page	Code		See Page
A9	A	42	D7	40	H1	A	45	
A10	B	42	D18	40	H6	A	45	
A38		39	D50	A	41			
A60		39	D61	41				

: Relay Blocks

Code	See Page	Relay Blocks (Relay Block Location)
1	24	Engine Room R/B (Engine Compartment Right)

: Junction Block and Wire Harness Connector

Code	See Page	Junction Block and Wire Harness (Connector Location)
3A	26	Instrument Panel Wire and Instrument Panel J/B Assembly (Instrument Panel Reinforcement)
3B		
3C	26	Engine Room Main Wire and Instrument Panel J/B Assembly (Instrument Panel Reinforcement)
3D	26	Instrument Panel Wire and Instrument Panel J/B Assembly (Instrument Panel Reinforcement)

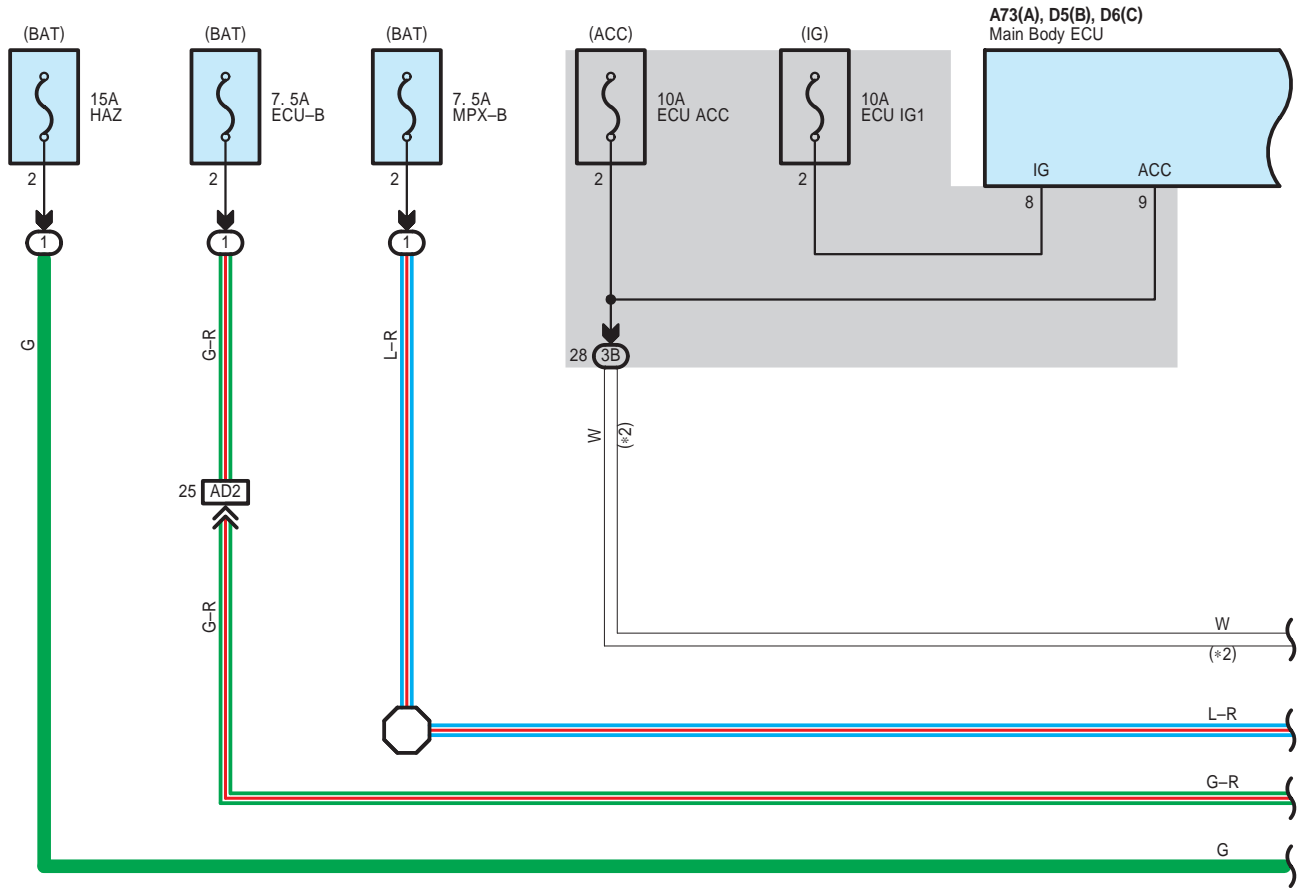
: Connector Joining Wire Harness and Wire Harness

Code	See Page	Joining Wire Harness and Wire Harness (Connector Location)
HD1	47	No. 2 Floor Wire and Instrument Panel Wire (Cowl Side Panel LH)

: Ground Points

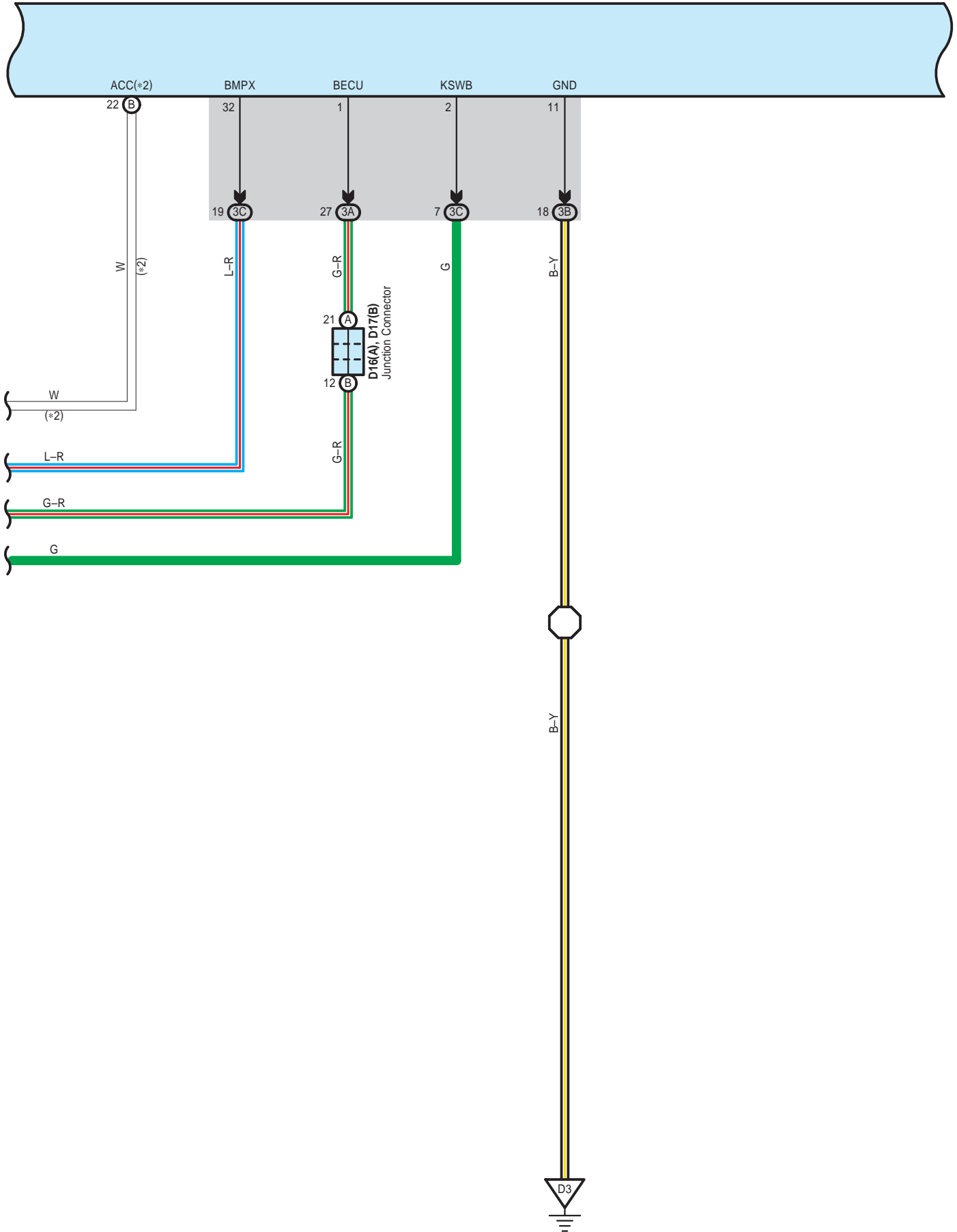
Code	See Page	Ground Points Location
A7	46	Front Fender Apron RH
D1	47	Cowl Side Panel LH
D3	47	Instrument Panel Brace RH
D4	47	Cowl Side Panel RH
H1	48	Lower Back Panel
H3	48	Quarter Wheel House Panel LH

Illumination and Taillight



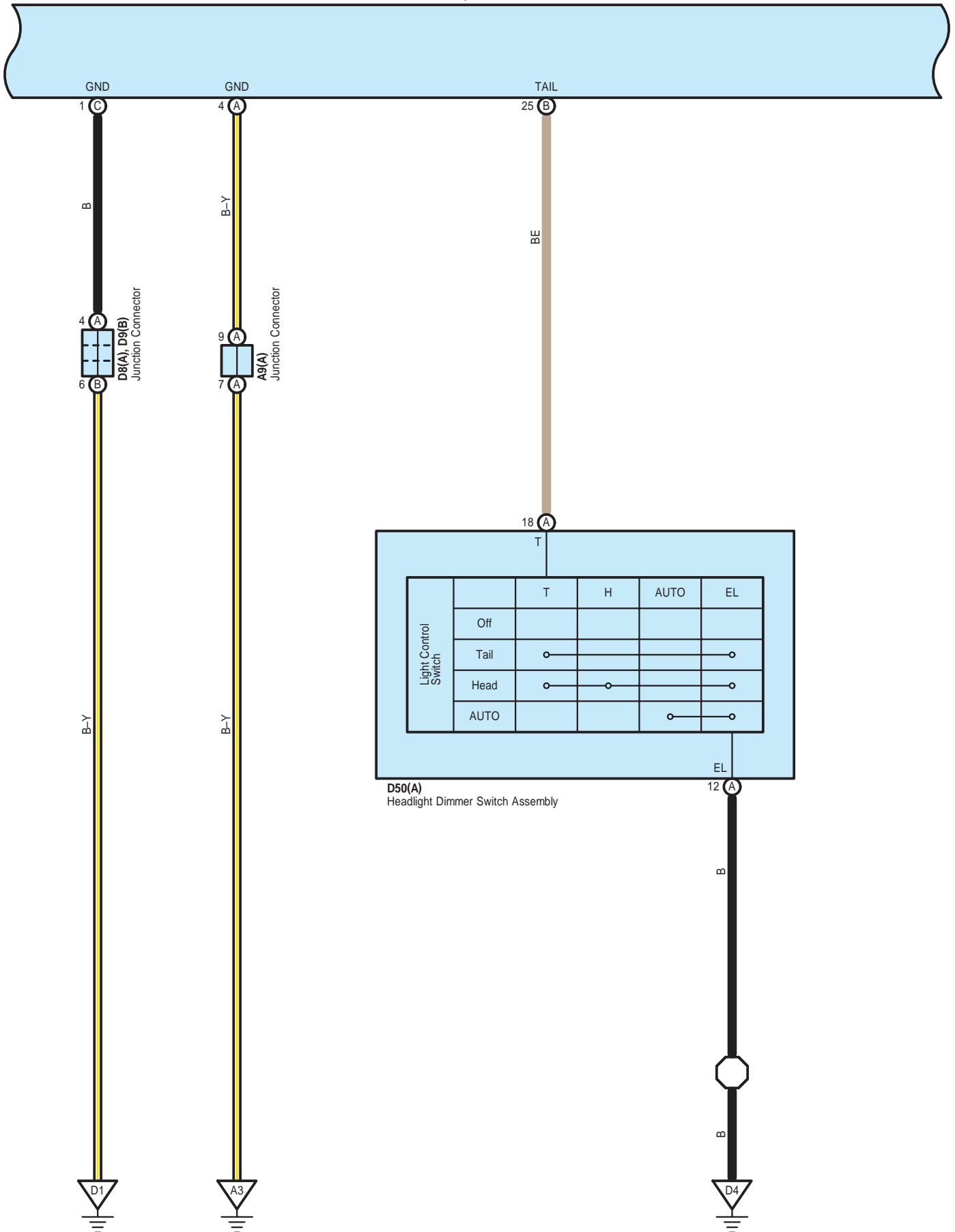
* 2 : w/ Smart Entry & Start System

A73(A), D5(B), D6(C)
Main Body ECU

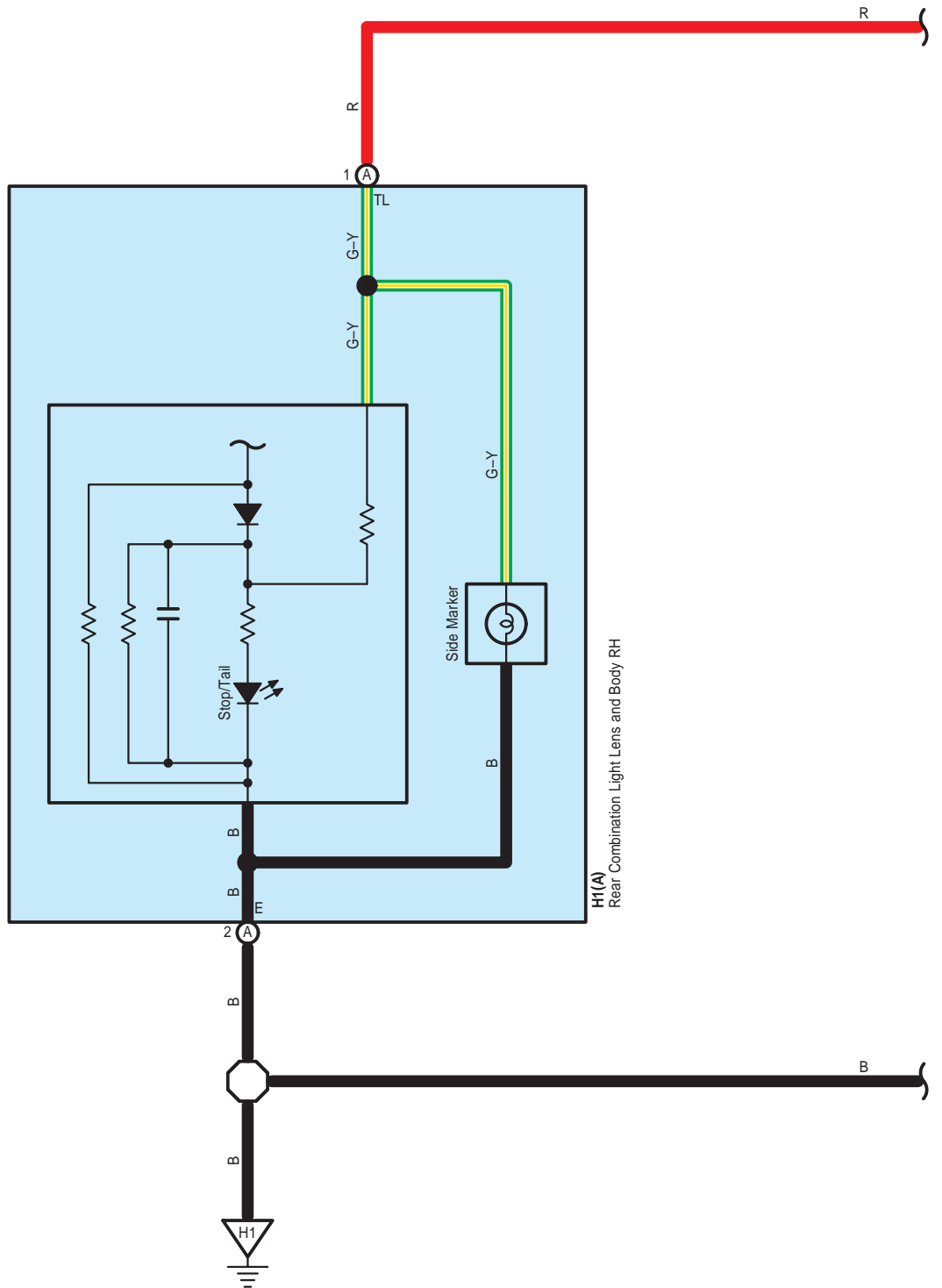


Illumination and Taillight

A73(A), D5(B), D6(C)
Main Body ECU

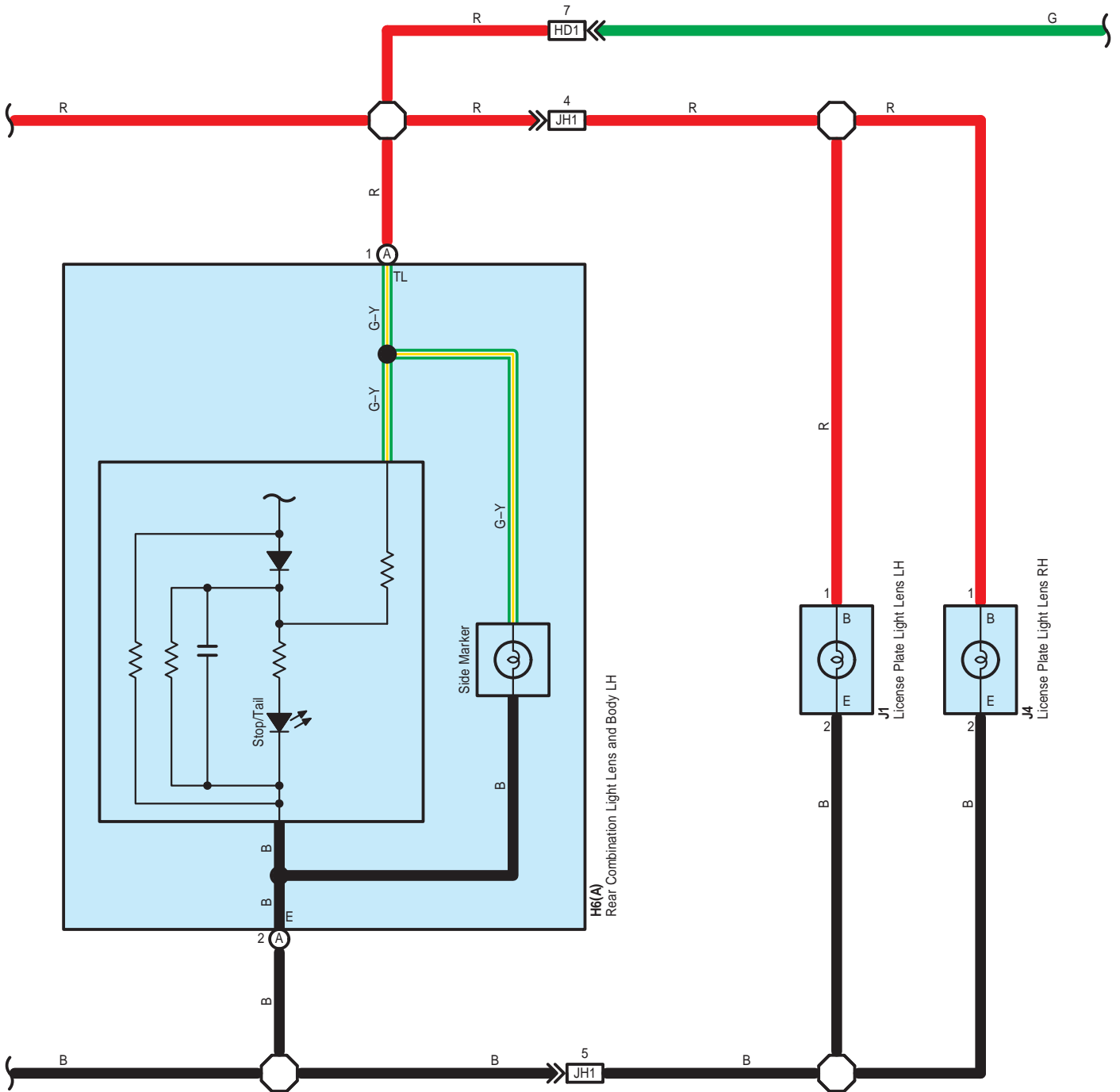


A73(A), D5(B), D6(C)
Main Body ECU

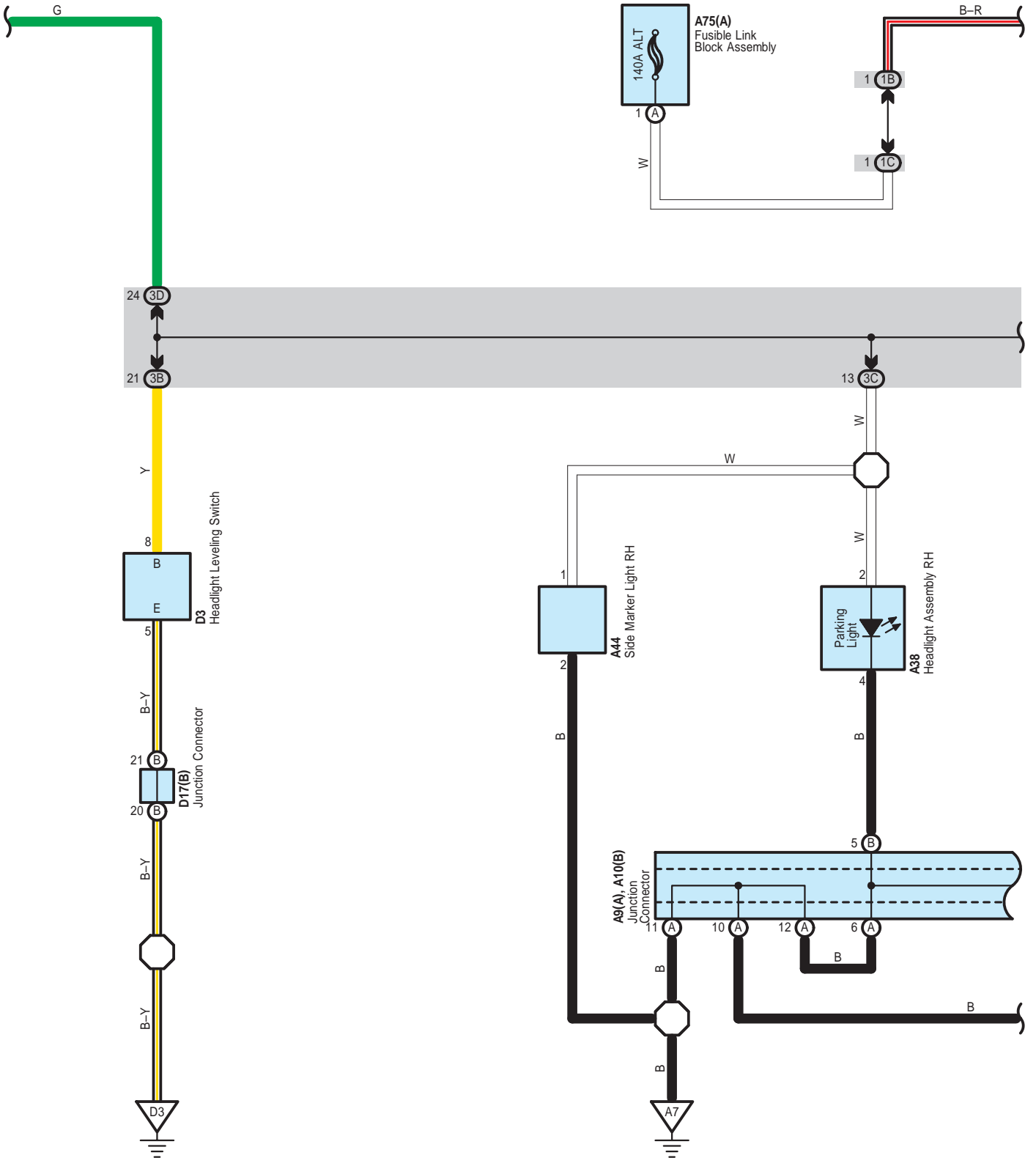


Illumination and Taillight

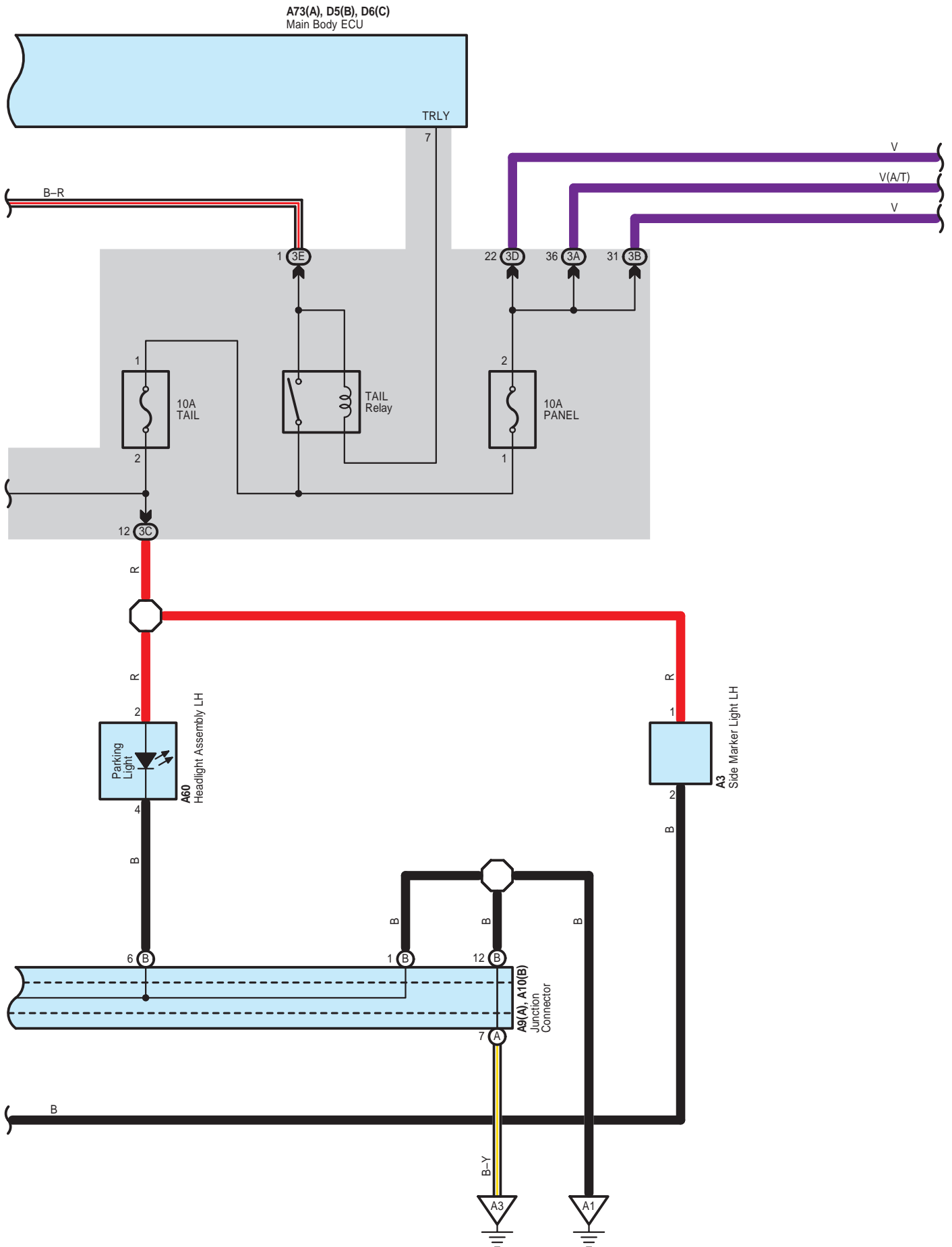
A73(A), D5(B), D6(C)
Main Body ECU



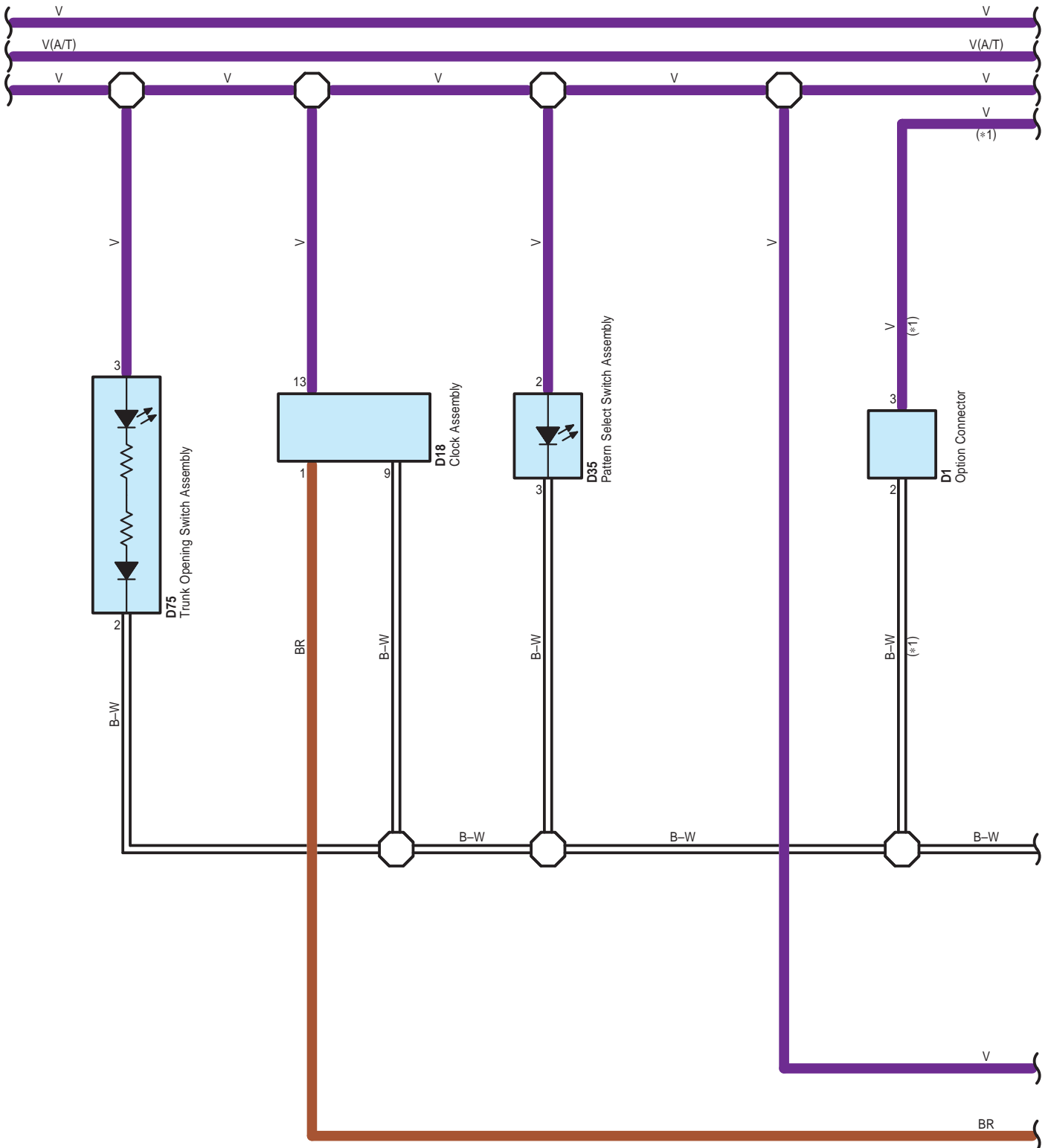
A73(A), D5(B), D6(C)
Main Body ECU



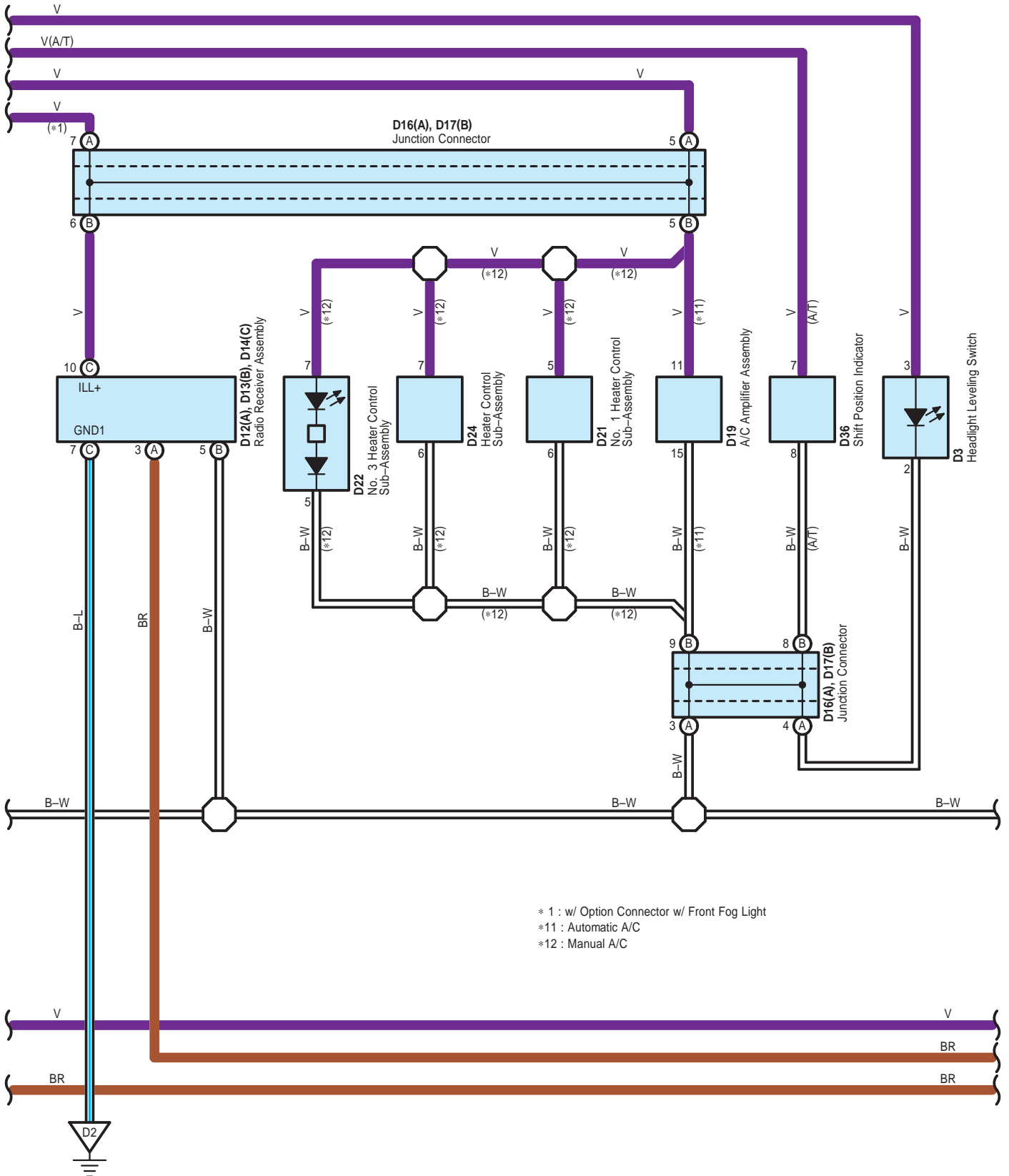
Illumination and Taillight



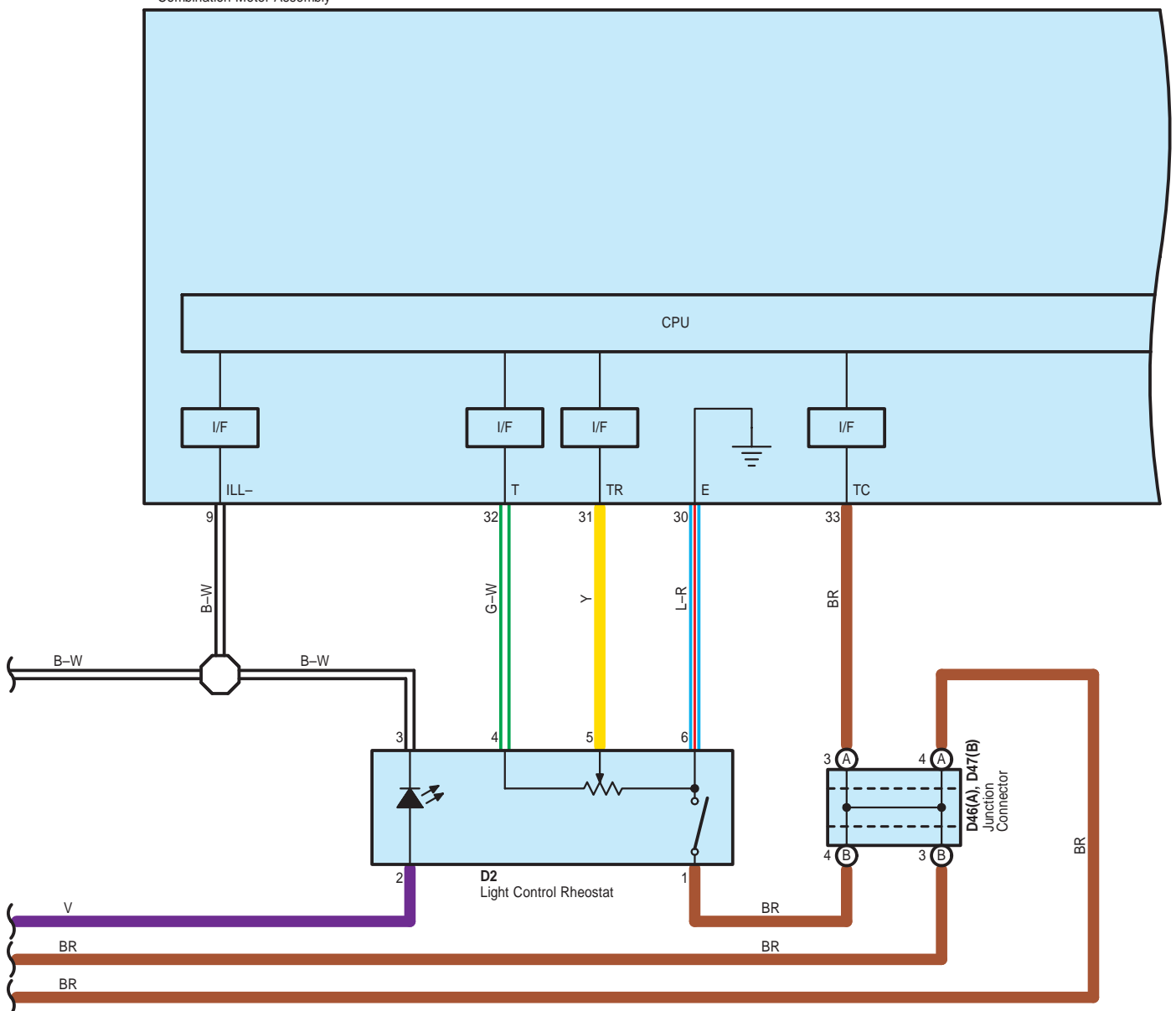
* 1 : w/ Option Connector w/ Front Fog Light



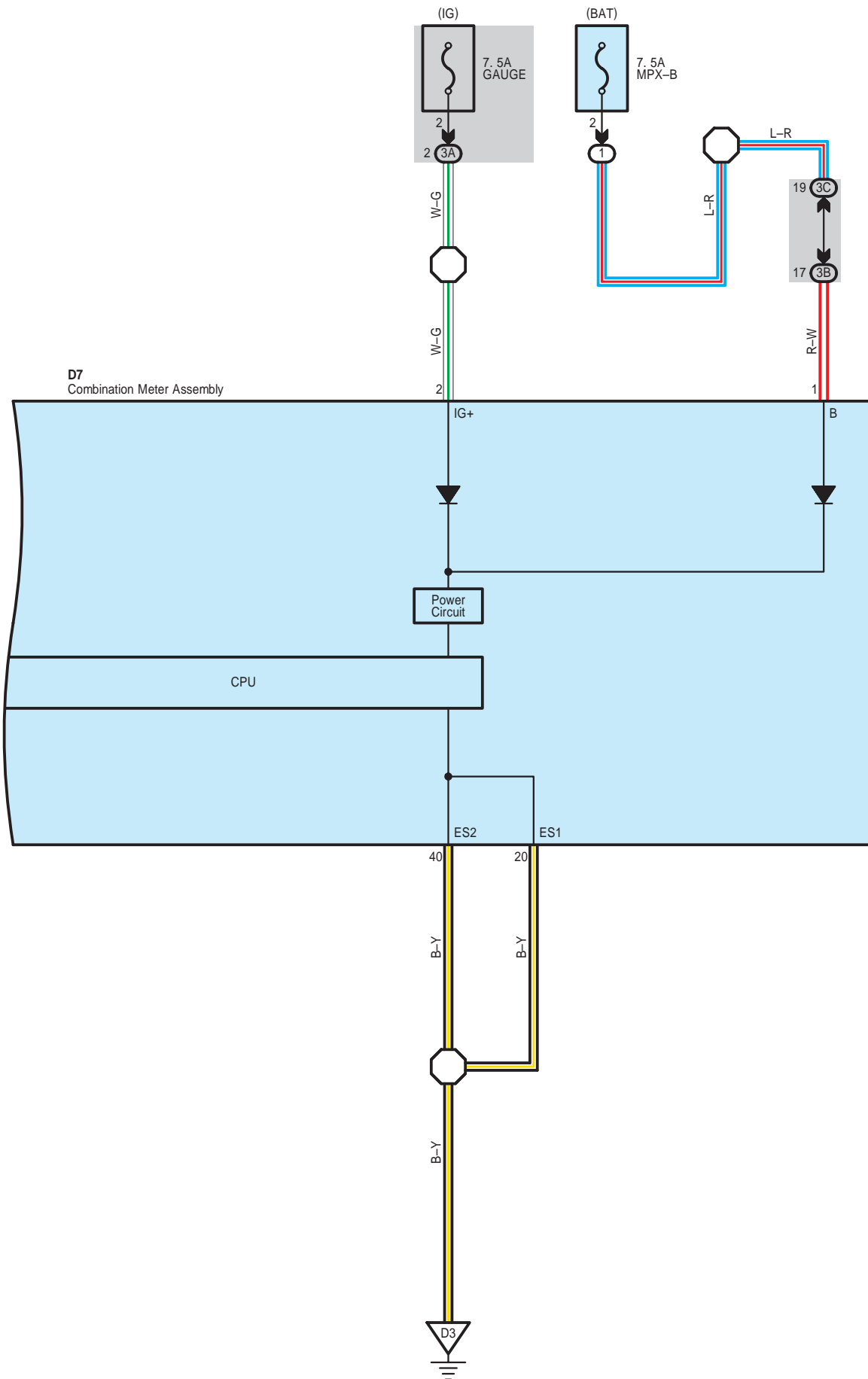
Illumination and Taillight



D7
Combination Meter Assembly



Illumination and Taillight



○ : Parts Location

Code	See Page	Code	See Page	Code	See Page			
A3	39	D6	C	40	D22	40		
A9	A	42	D7	40	D24	40		
A10	B	42	D8	A	40	D35	40	
A38	39	D9	B	40	D36	40		
A44	39	D12	A	40	D46	A	41	
A60	39	D13	B	40	D47	B	41	
A73	A	42	D14	C	40	D50	A	41
A75	A	36, 39	D16	A	40	D75	41	
D1	40	D17	B	40	H1	A	45	
D2	40	D18	40	H6	A	45		
D3	40	D19	40	J1	45			
D5	B	40	D21	40	J4	45		

○ : Relay Blocks

Code	See Page	Relay Blocks (Relay Block Location)
1	24	Engine Room R/B (Engine Compartment Right)

○ : Junction Block and Wire Harness Connector

Code	See Page	Junction Block and Wire Harness (Connector Location)
1B	24	Engine Room Main Wire and Engine Room J/B (Engine Compartment Right)
1C		
3A	26	Instrument Panel Wire and Instrument Panel J/B Assembly (Instrument Panel Reinforcement)
3B		
3C	26	Engine Room Main Wire and Instrument Panel J/B Assembly (Instrument Panel Reinforcement)
3D	26	Instrument Panel Wire and Instrument Panel J/B Assembly (Instrument Panel Reinforcement)
3E	26	Engine Room Main Wire and Instrument Panel J/B Assembly (Instrument Panel Reinforcement)

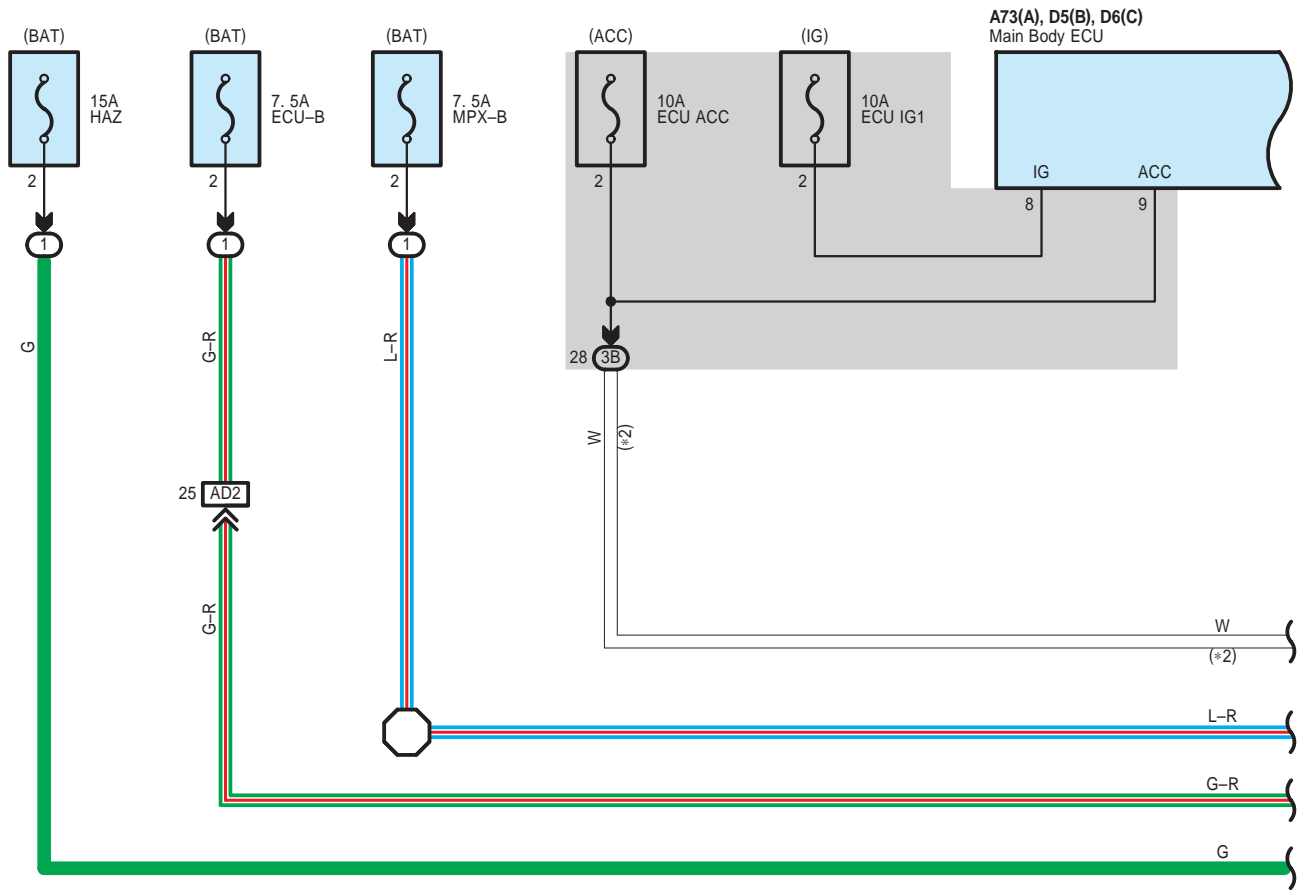
□ : Connector Joining Wire Harness and Wire Harness

Code	See Page	Joining Wire Harness and Wire Harness (Connector Location)
AD2	47	Engine Room Main Wire and Instrument Panel Wire (Cowl Side Panel RH)
HD1	47	No. 2 Floor Wire and Instrument Panel Wire (Cowl Side Panel LH)
JH1	48	Trunk Wire and No. 2 Floor Wire (Quarter Panel LH)

▽ : Ground Points

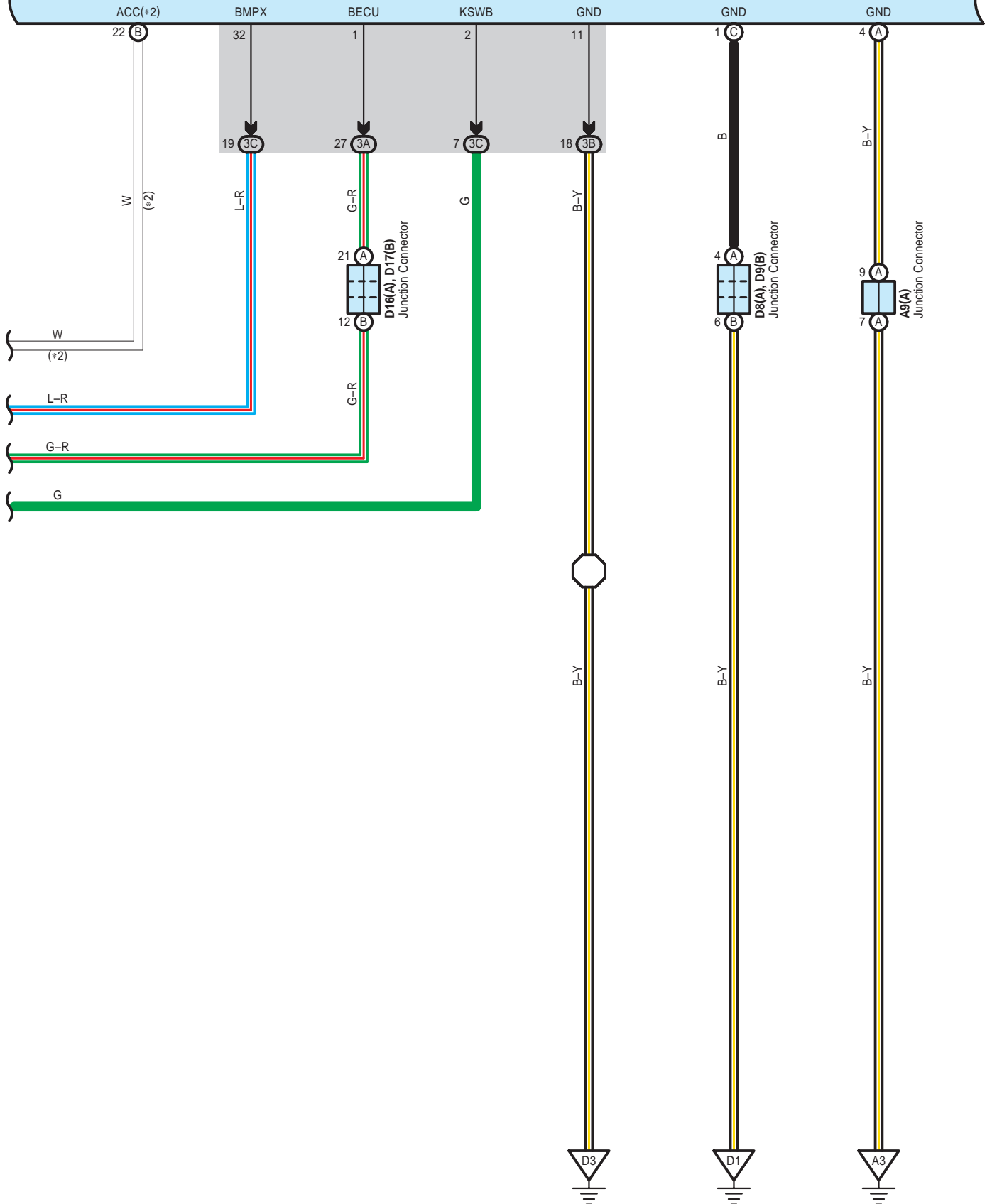
Code	See Page	Ground Points Location
A1	46	Front Fender Apron LH
A3	47	Cowl Side Panel RH
A7	46	Front Fender Apron RH
D1	47	Cowl Side Panel LH
D2	47	Instrument Panel Brace LH
D3	47	Instrument Panel Brace RH
D4	47	Cowl Side Panel RH
H1	48	Lower Back Panel

Interior Light



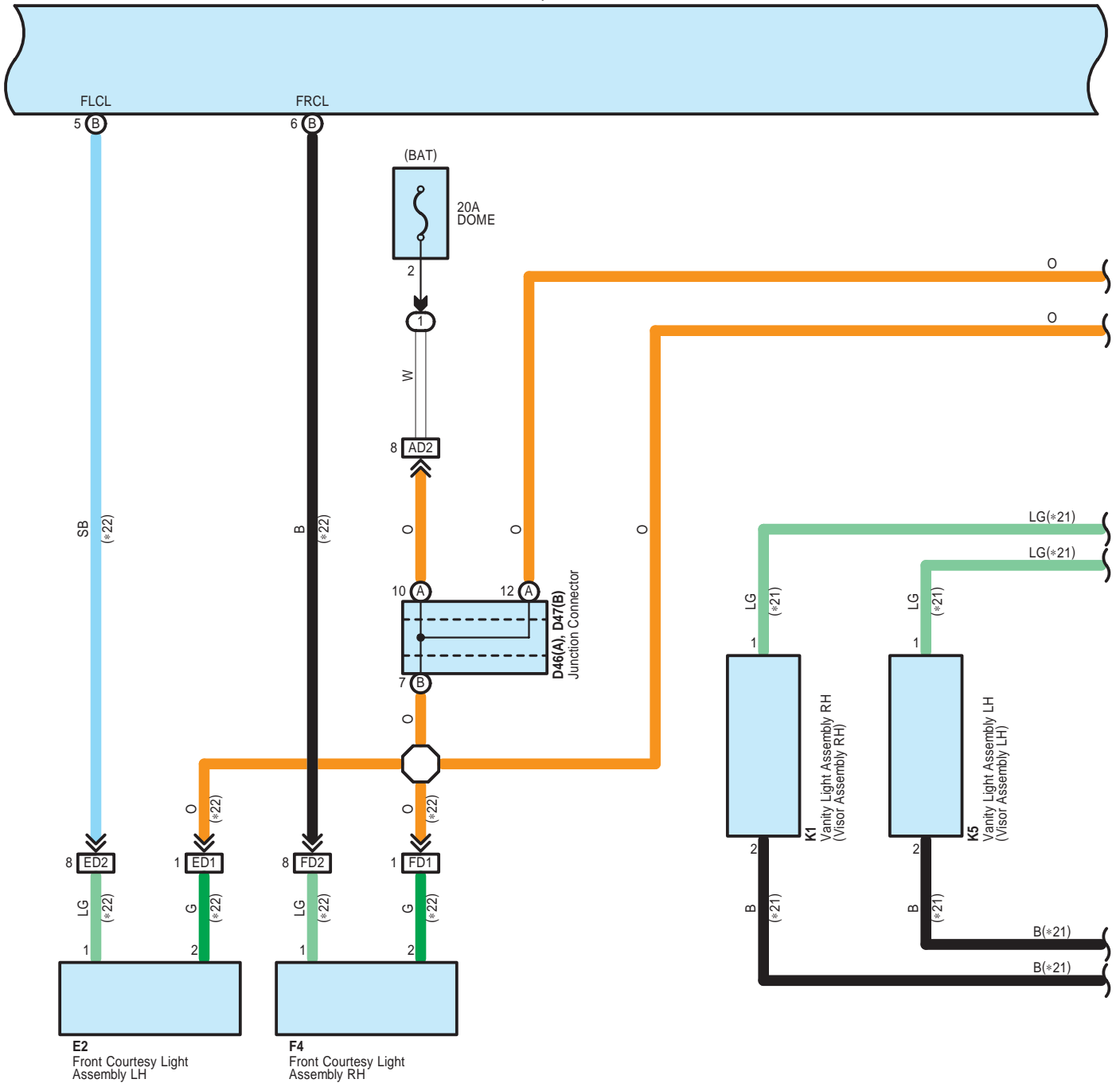
* 2 : w/ Smart Entry & Start System

A73(A), D5(B), D6(C)
Main Body ECU



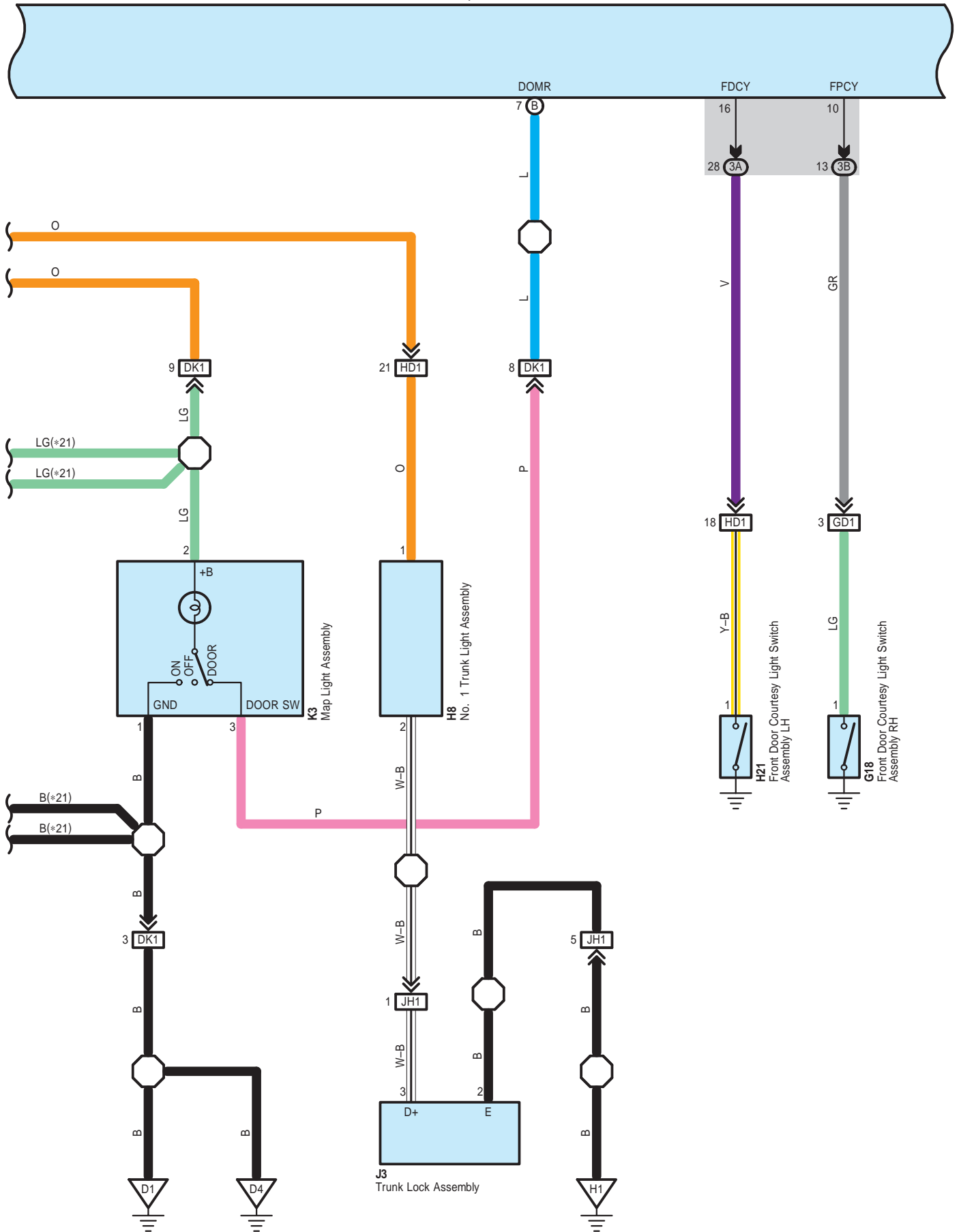
Interior Light

A73(A), D5(B), D6(C)
Main Body ECU



*21 : w/ Vanity Light
 *22 : w/ Courtesy Light
 *30 : w/ Trunk Light

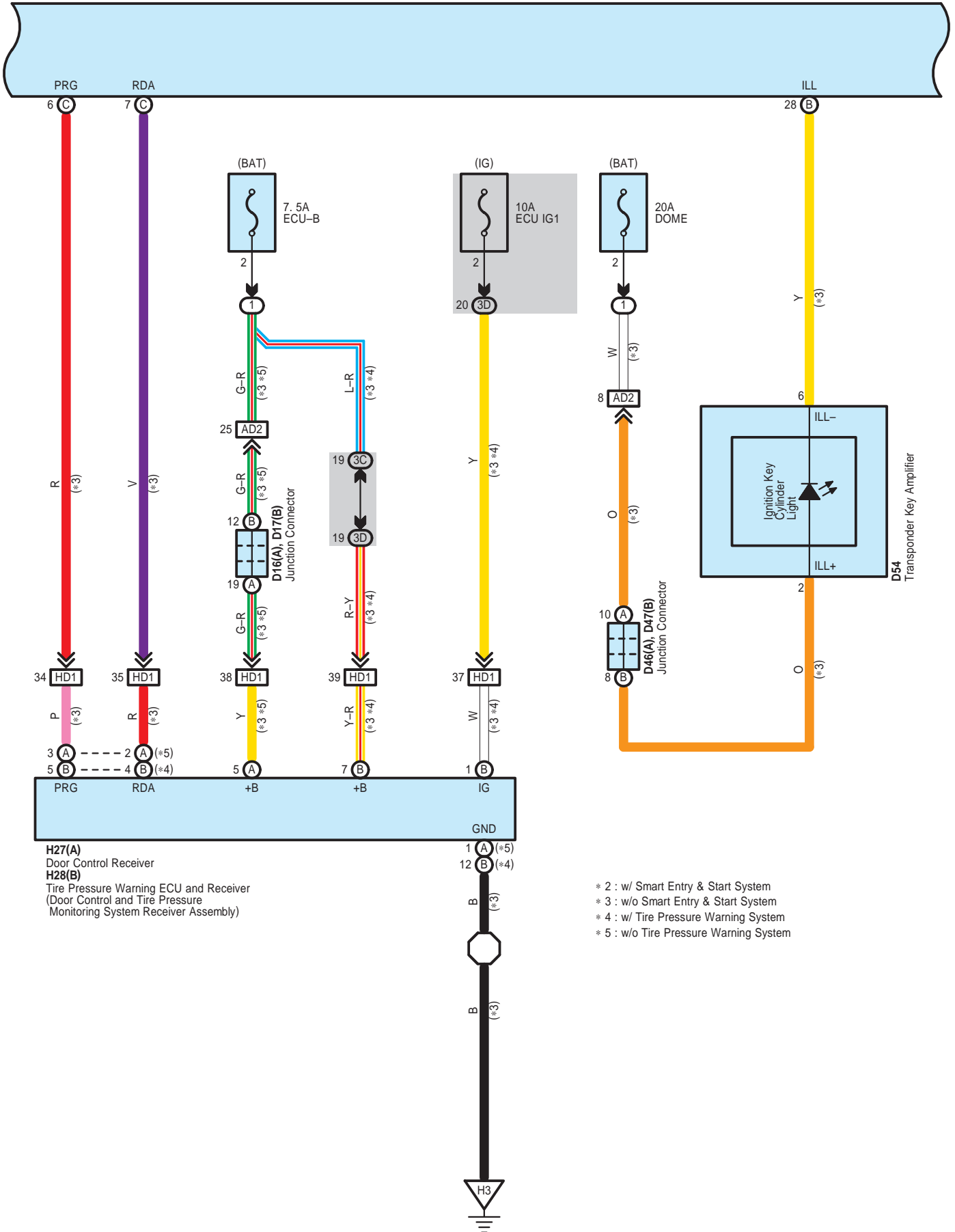
A73(A), D5(B), D6(C)
Main Body ECU



BRZ (G4420BE)

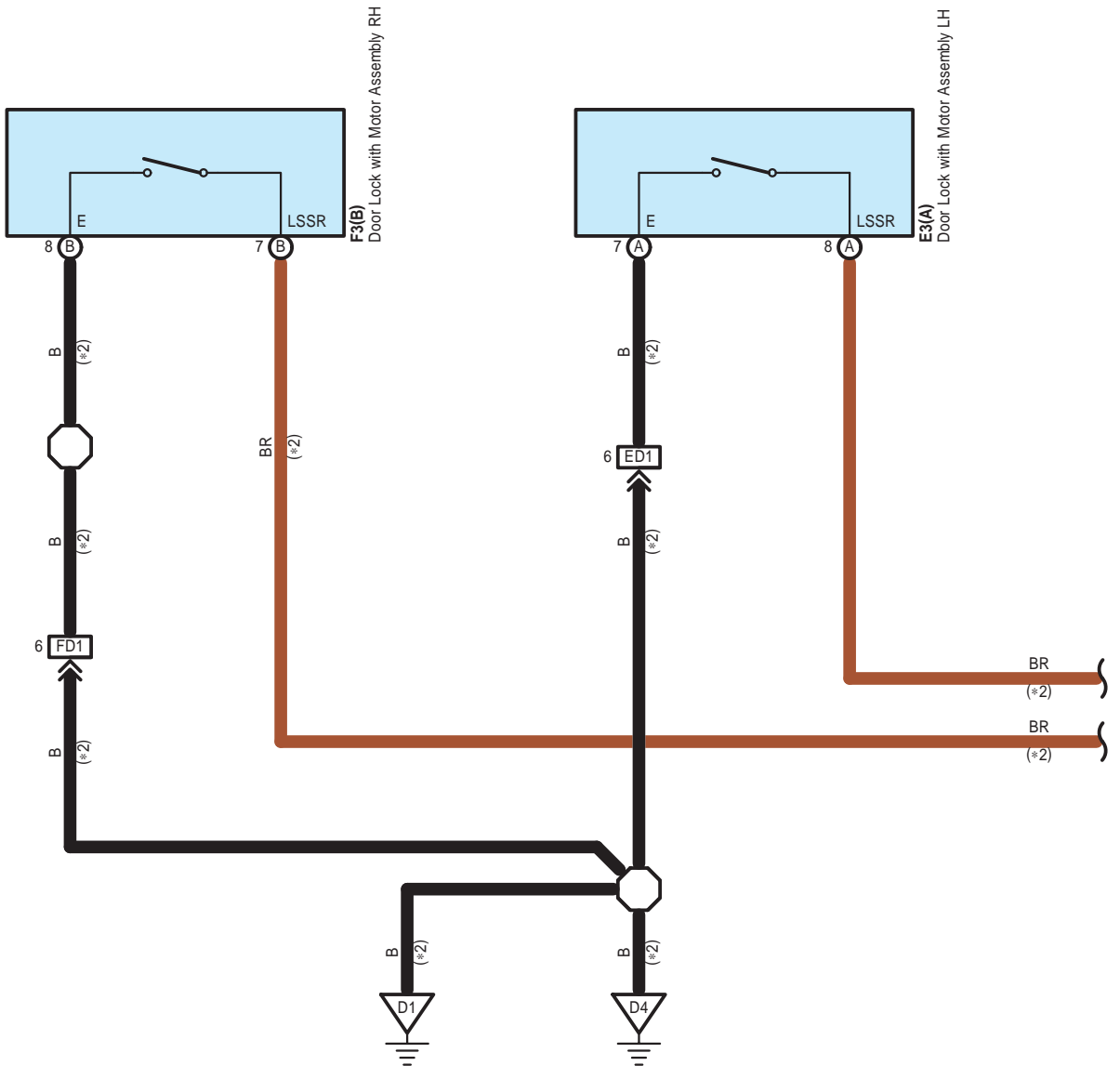
Interior Light

A73(A), D5(B), D6(C)
Main Body ECU



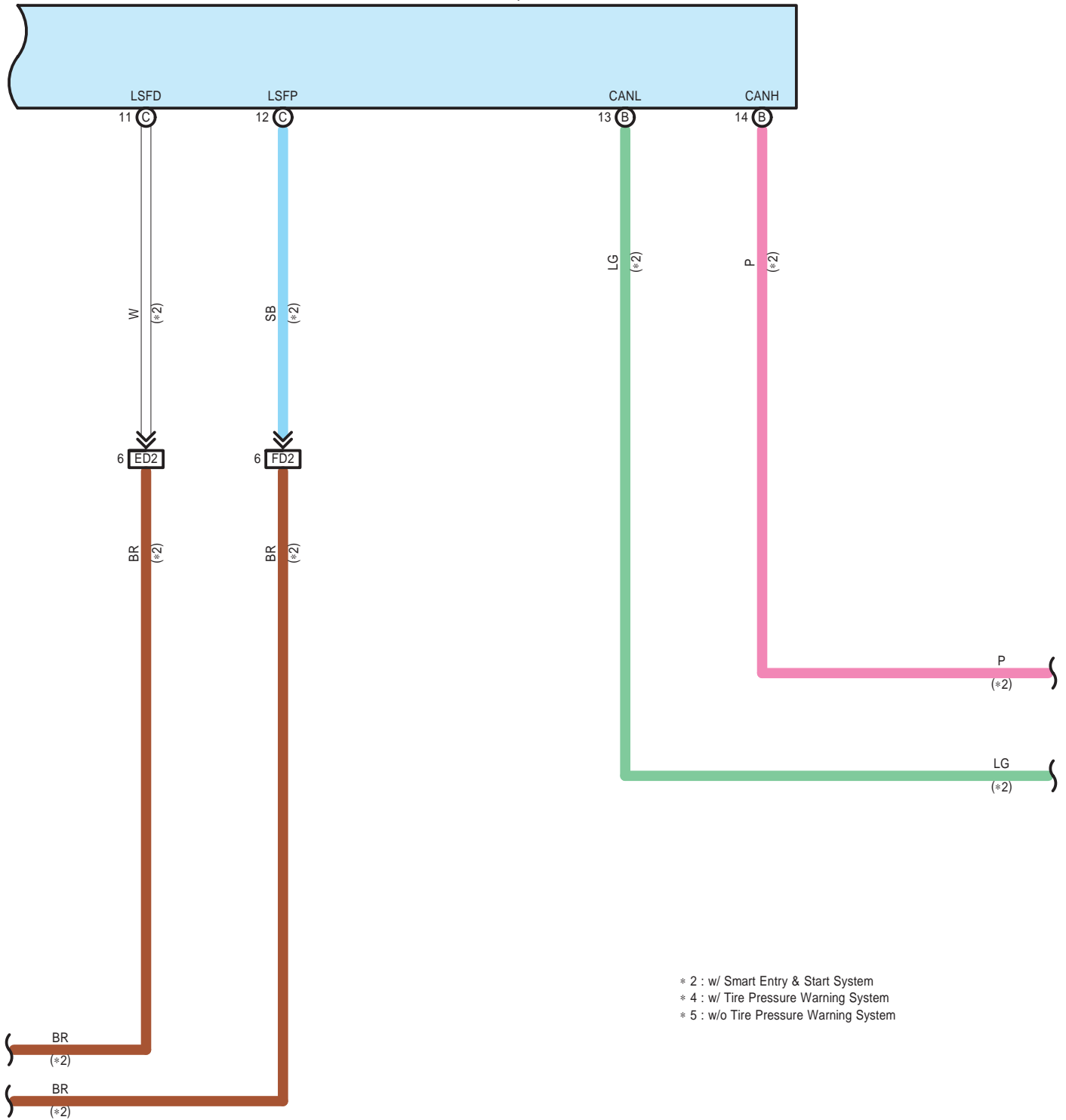
H27(A)
Door Control Receiver
H28(B)
Tire Pressure Warning ECU and Receiver
(Door Control and Tire Pressure
Monitoring System Receiver Assembly)

- * 2 : w/ Smart Entry & Start System
- * 3 : w/o Smart Entry & Start System
- * 4 : w/ Tire Pressure Warning System
- * 5 : w/o Tire Pressure Warning System

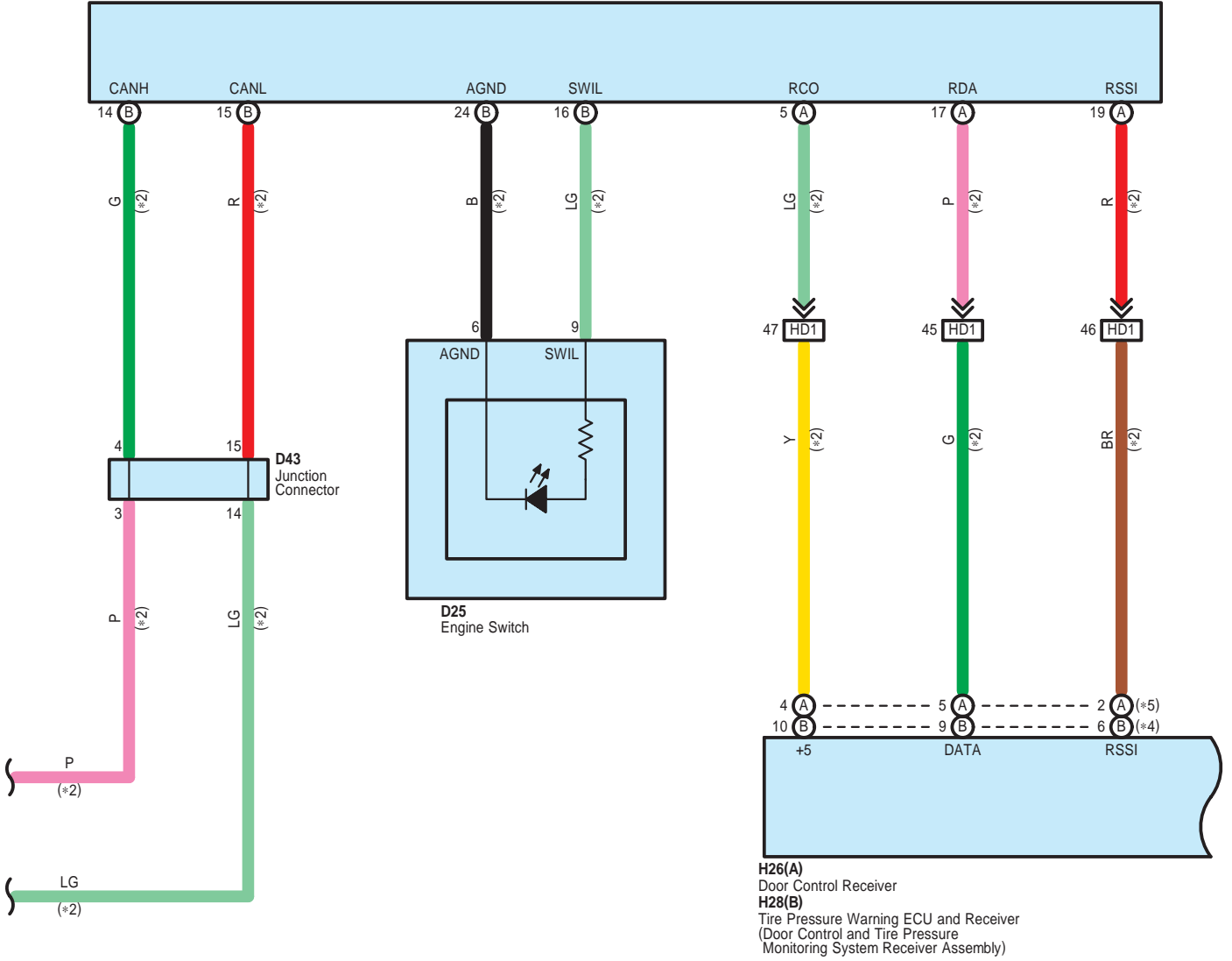


Interior Light

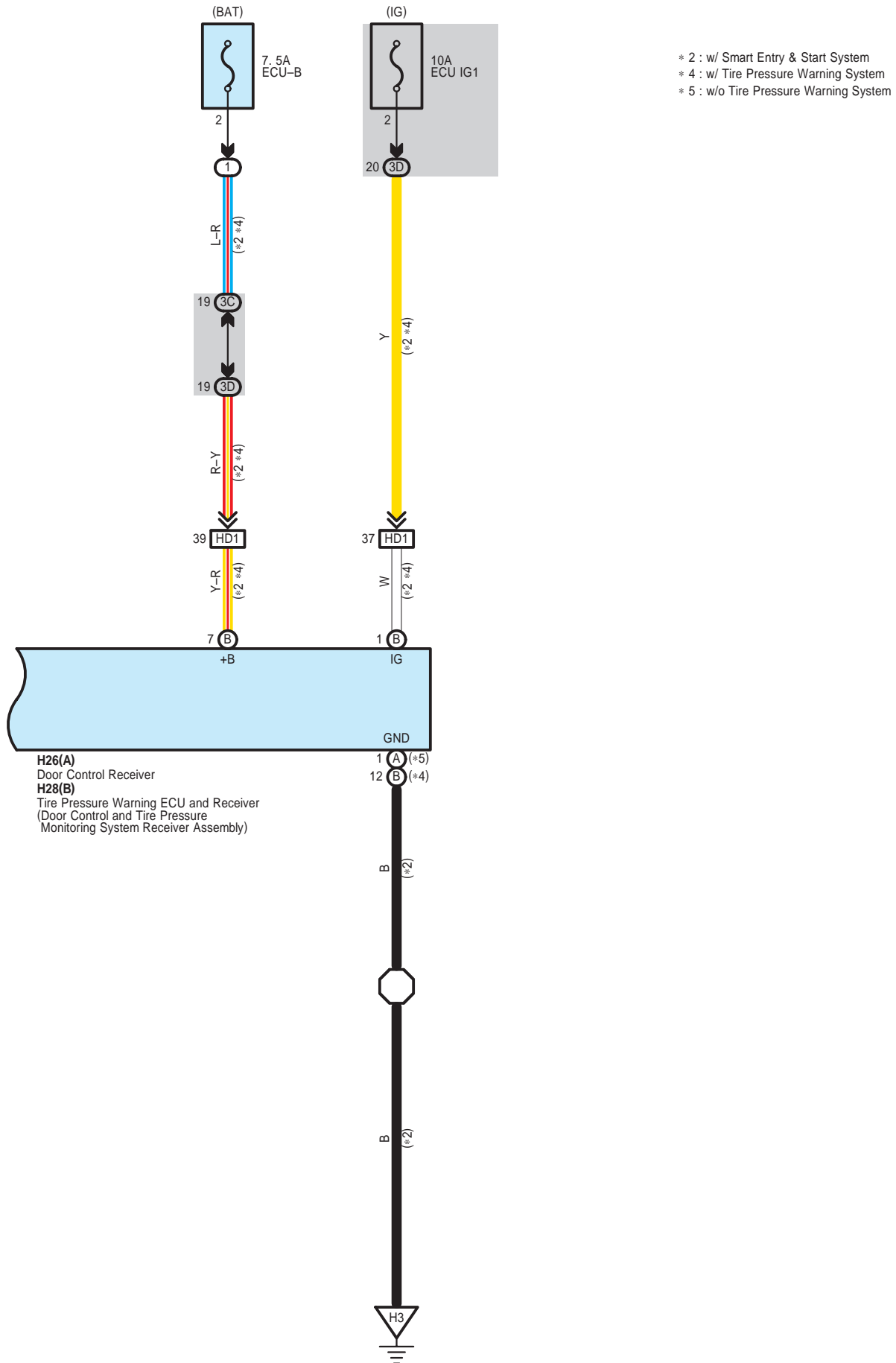
A73(A), D5(B), D6(C)
Main Body ECU



D40(A), D41(B)
Certification ECU Assembly



Interior Light



○ : Parts Location

Code			See Page			Code			See Page			Code			See Page		
A9	A	42	D41	B	41	H8		45									
A73	A	42	D43			41	H21			45							
D5	B	40	D46	A	41	H26	A	45									
D6	C	40	D47	B	41	H27	A	45									
D8	A	40	D54			41	H28	B	45								
D9	B	40	E2			44	J3			45							
D16	A	40	E3	A	44	K1			45								
D17	B	40	F3	B	44	K3			45								
D25		40	F4			44	K5			45							
D40	A	41	G18			44											

○ : Relay Blocks

Code	See Page	Relay Blocks (Relay Block Location)
1	24	Engine Room R/B (Engine Compartment Right)

○ : Junction Block and Wire Harness Connector

Code	See Page	Junction Block and Wire Harness (Connector Location)
3A	26	Instrument Panel Wire and Instrument Panel J/B Assembly (Instrument Panel Reinforcement)
3B		
3C	26	Engine Room Main Wire and Instrument Panel J/B Assembly (Instrument Panel Reinforcement)
3D	26	Instrument Panel Wire and Instrument Panel J/B Assembly (Instrument Panel Reinforcement)

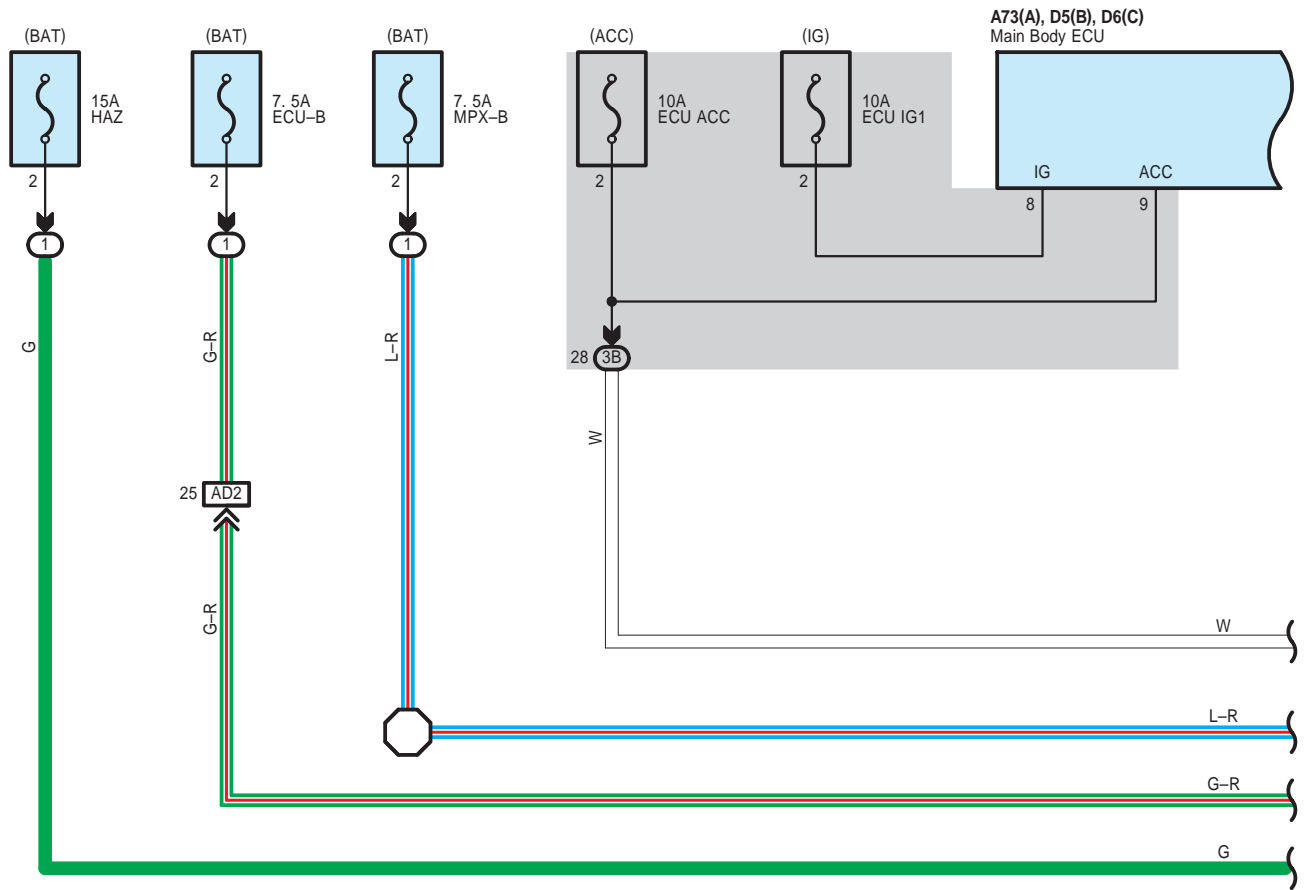
□ : Connector Joining Wire Harness and Wire Harness

Code	See Page	Joining Wire Harness and Wire Harness (Connector Location)
AD2	47	Engine Room Main Wire and Instrument Panel Wire (Cowl Side Panel RH)
DK1	47	Instrument Panel Wire and Roof Wire (Front Body Inner Pillar RH)
ED1	47	Front Door Wire LH and Instrument Panel Wire (Cowl Side Panel LH)
ED2		
FD1	47	Front Door Wire RH and Instrument Panel Wire (Cowl Side Panel RH)
FD2		
GD1	47	No. 1 Floor Wire and Instrument Panel Wire (Cowl Side Panel RH)
HD1	47	No. 2 Floor Wire and Instrument Panel Wire (Cowl Side Panel LH)
JH1	48	Trunk Wire and No. 2 Floor Wire (Quarter Panel LH)

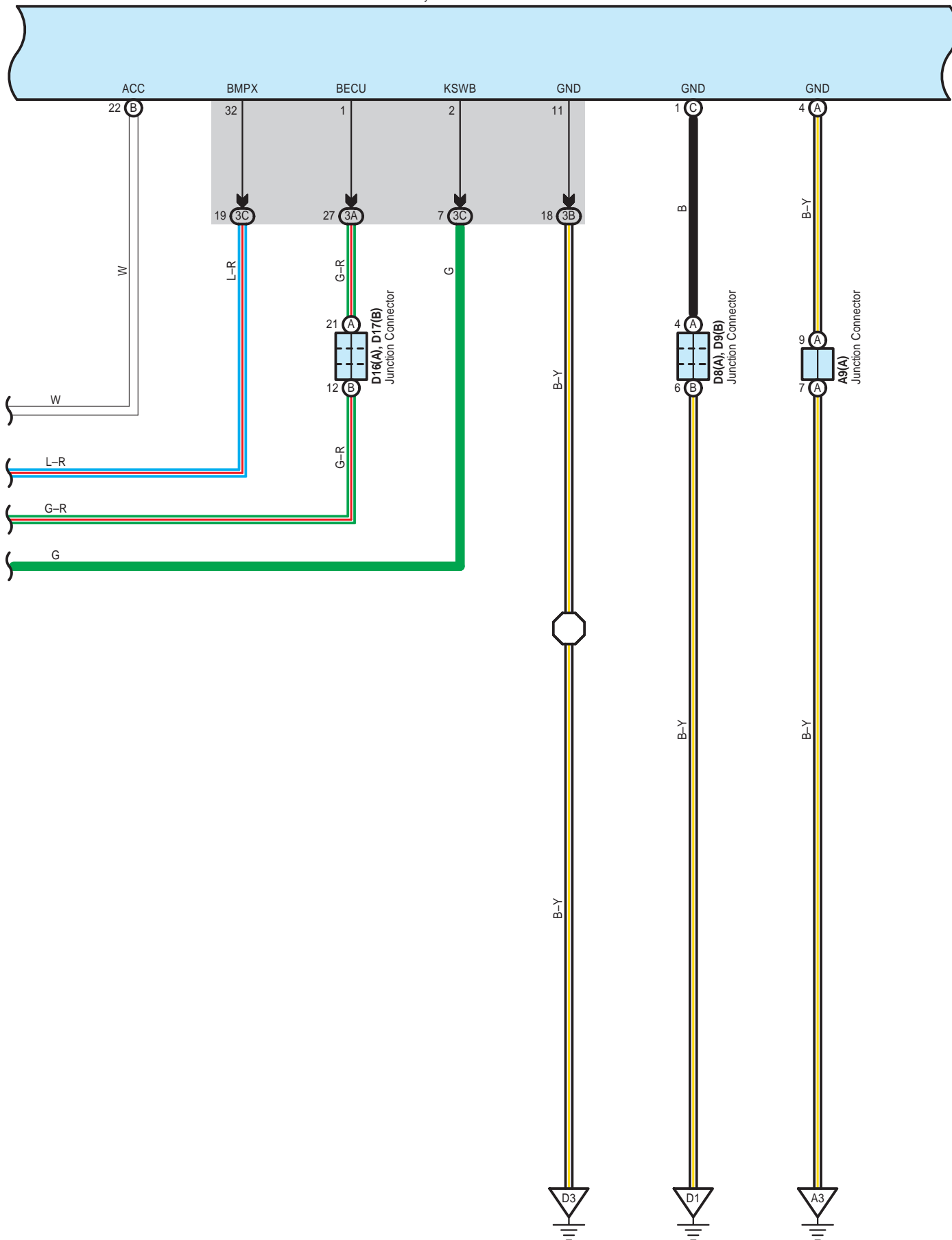
▽ : Ground Points

Code	See Page	Ground Points Location
A3	47	Cowl Side Panel RH
D1	47	Cowl Side Panel LH
D3	47	Instrument Panel Brace RH
D4	47	Cowl Side Panel RH
H1	48	Lower Back Panel
H3	48	Quarter Wheel House Panel LH

Front Fog Light

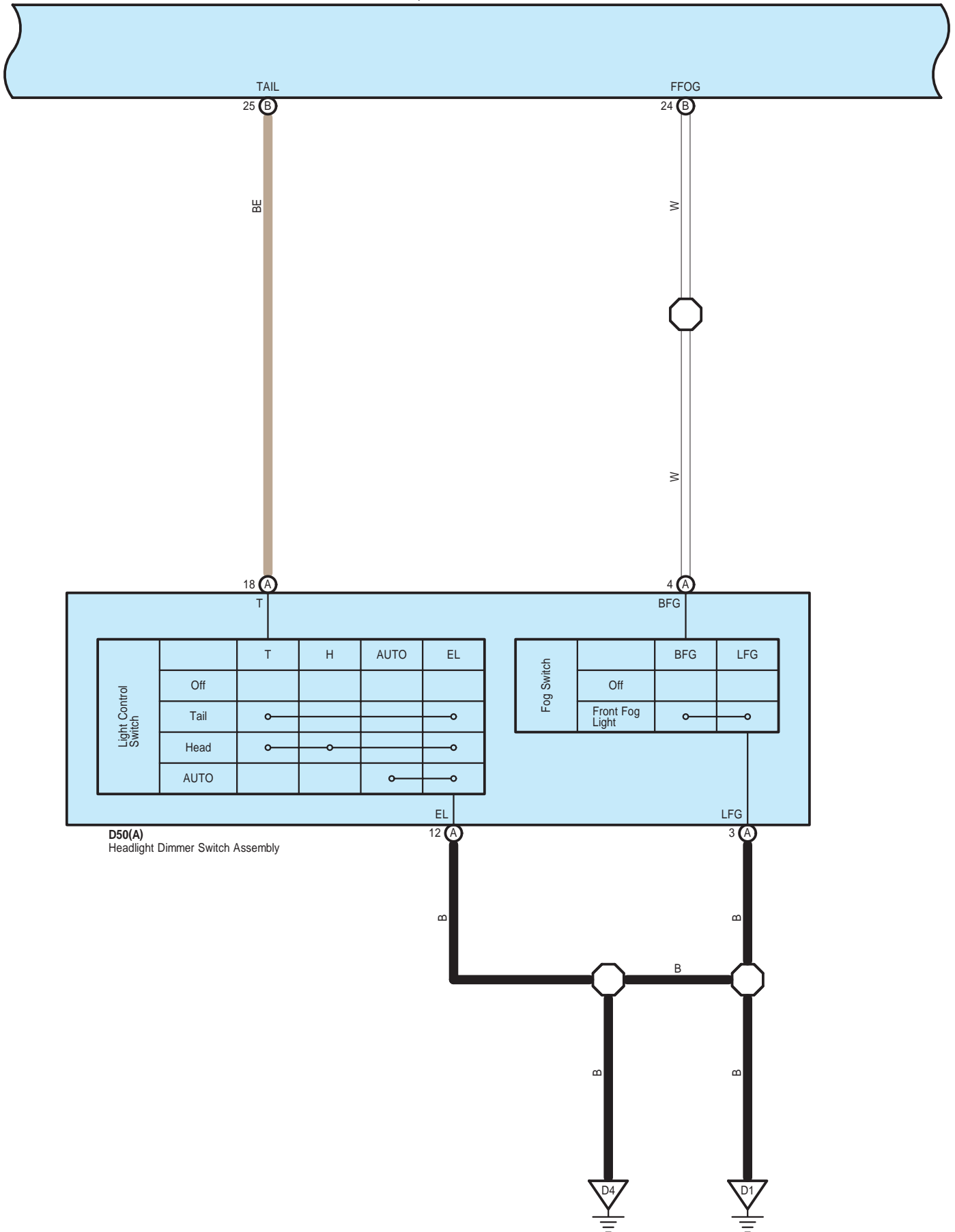


A73(A), D5(B), D6(C)
Main Body ECU

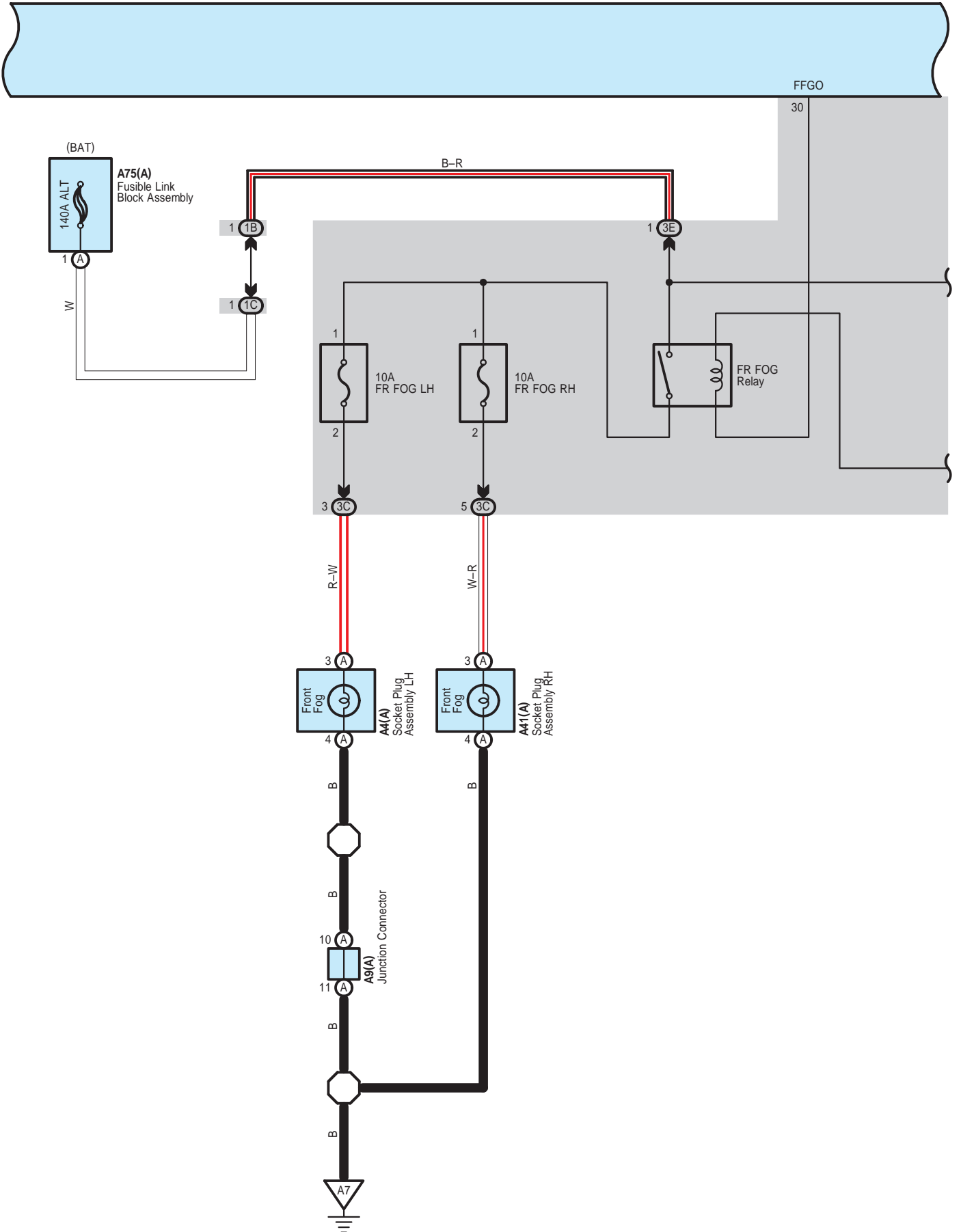


Front Fog Light

A73(A), D5(B), D6(C)
Main Body ECU

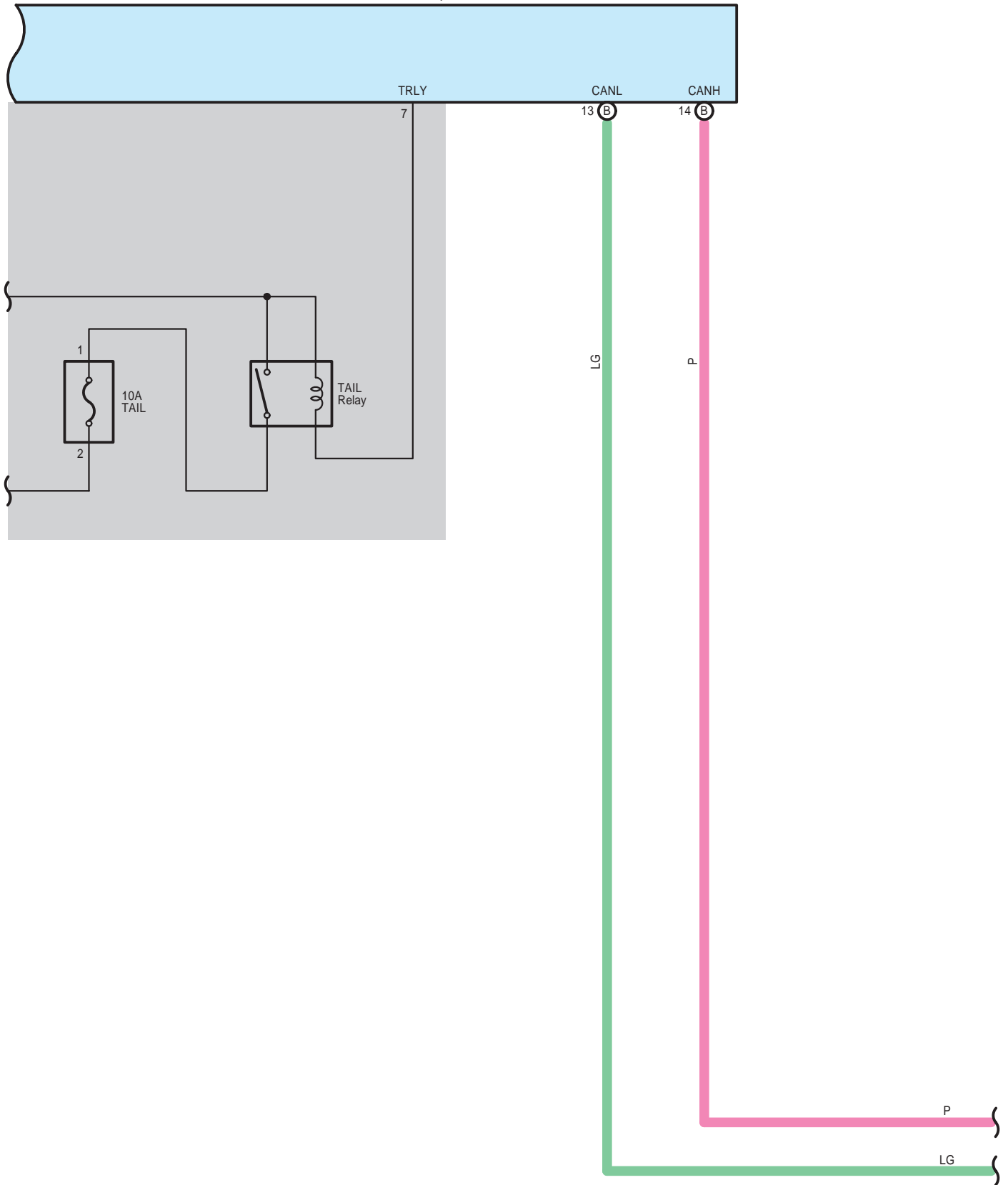


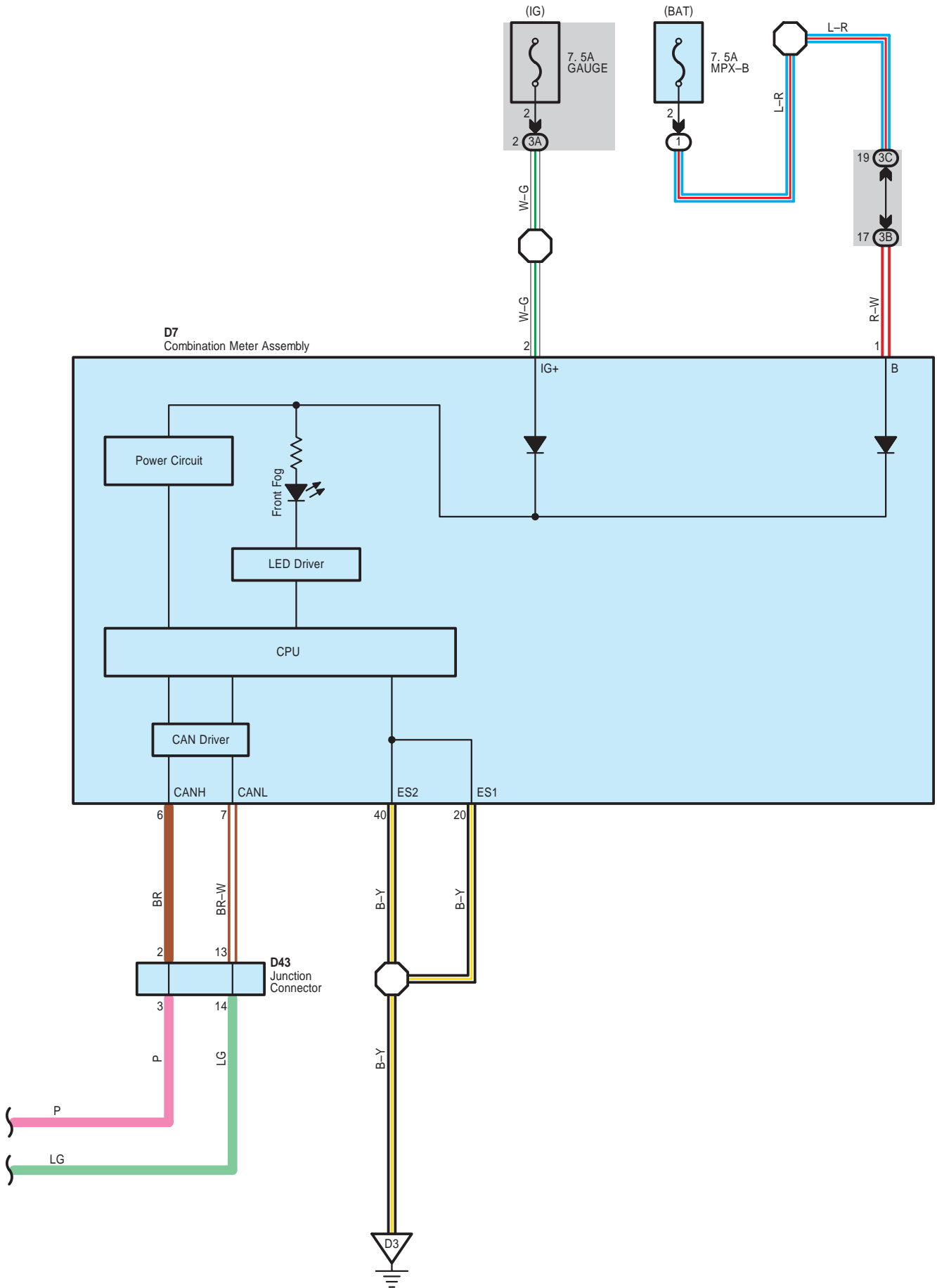
A73(A), D5(B), D6(C)
Main Body ECU



Front Fog Light

A73(A), D5(B), D6(C)
Main Body ECU





Front Fog Light

: Parts Location

Code		See Page	Code		See Page	Code		See Page
A4	A	39	D5	B	40	D16	A	40
A9	A	42	D6	C	40	D17	B	40
A41	A	39	D7		40	D43		41
A73	A	42	D8	A	40	D50	A	41
A75	A	36, 39	D9	B	40			

: Relay Blocks

Code	See Page	Relay Blocks (Relay Block Location)
1	24	Engine Room R/B (Engine Compartment Right)

: Junction Block and Wire Harness Connector

Code	See Page	Junction Block and Wire Harness (Connector Location)
1B	24	Engine Room Main Wire and Engine Room J/B (Engine Compartment Right)
1C		
3A	26	Instrument Panel Wire and Instrument Panel J/B Assembly (Instrument Panel Reinforcement)
3B		
3C	26	Engine Room Main Wire and Instrument Panel J/B Assembly (Instrument Panel Reinforcement)
3E		

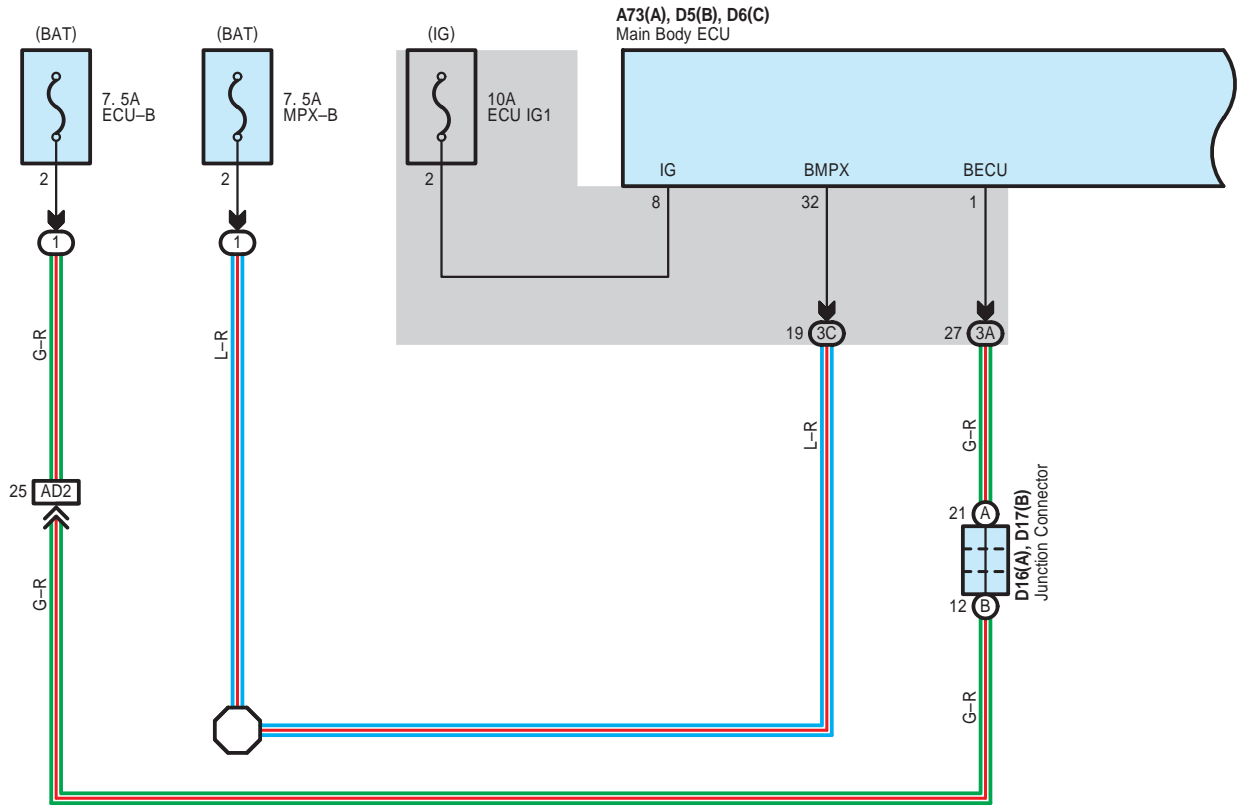
: Connector Joining Wire Harness and Wire Harness

Code	See Page	Joining Wire Harness and Wire Harness (Connector Location)
AD2	47	Engine Room Main Wire and Instrument Panel Wire (Cowl Side Panel RH)

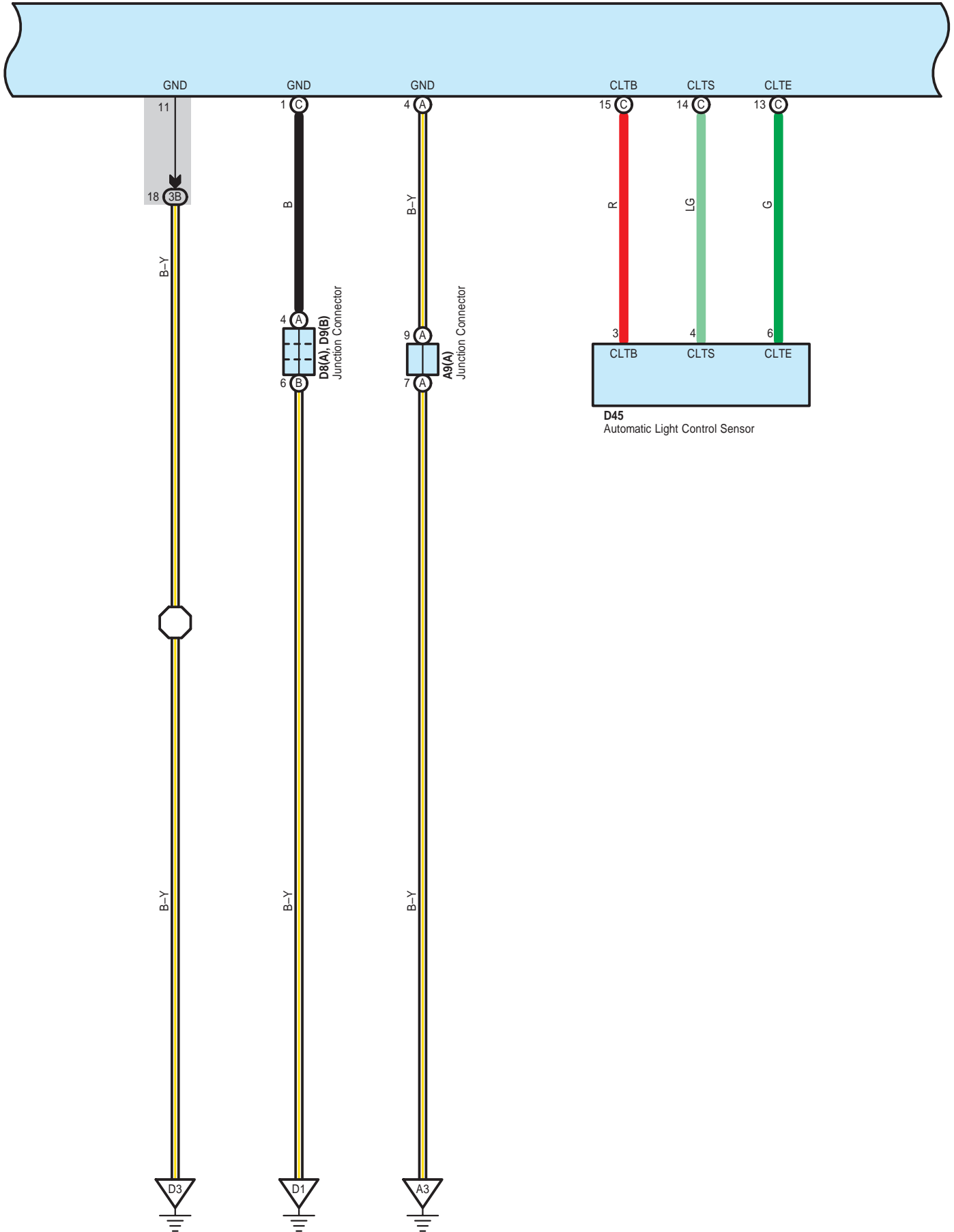
: Ground Points

Code	See Page	Ground Points Location
A3	47	Cowl Side Panel RH
A7	46	Front Fender Apron RH
D1	47	Cowl Side Panel LH
D3	47	Instrument Panel Brace RH
D4	47	Cowl Side Panel RH

Automatic Light Control and Light Auto Turn Off System

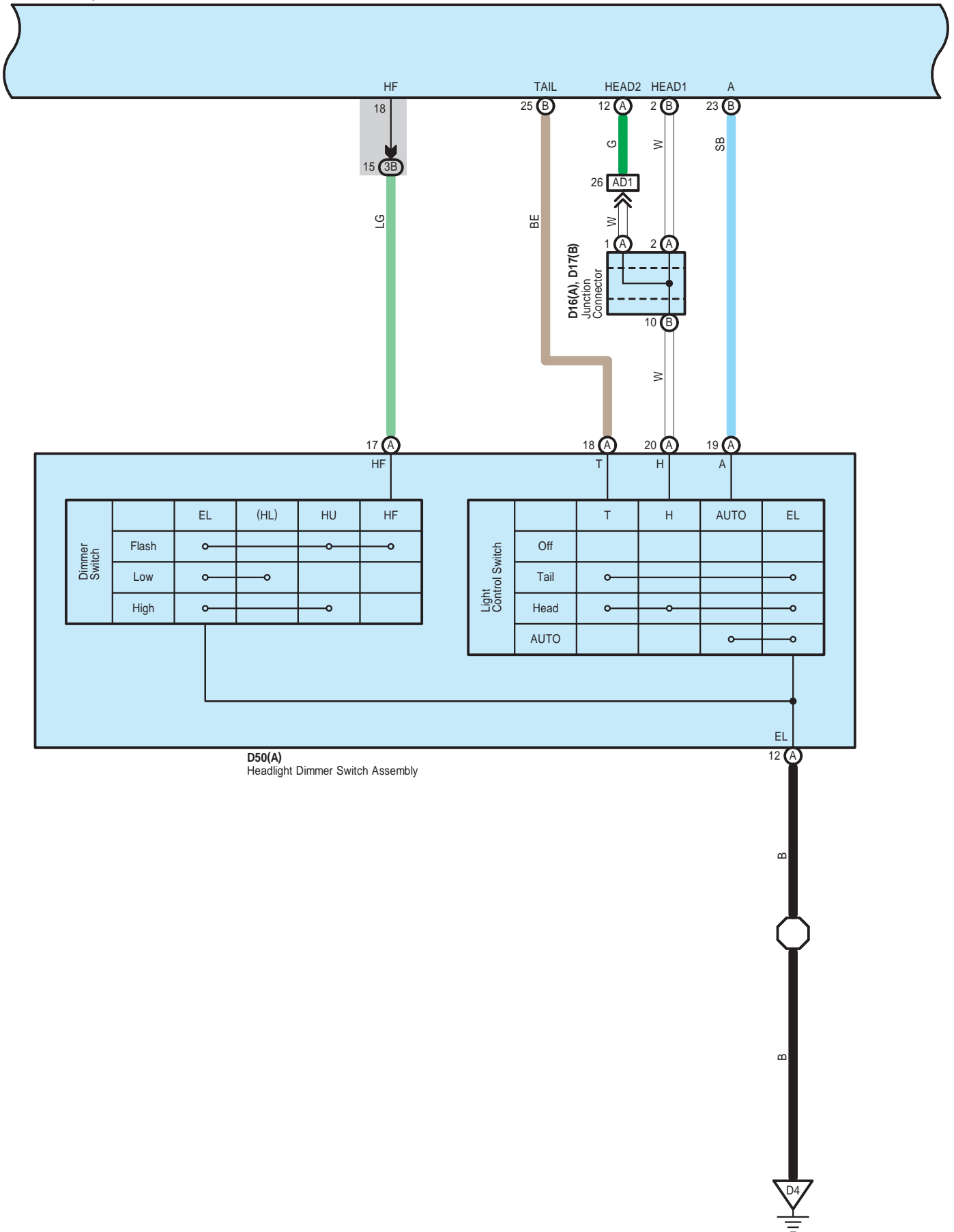


A73(A), D5(B), D6(C)
Main Body ECU

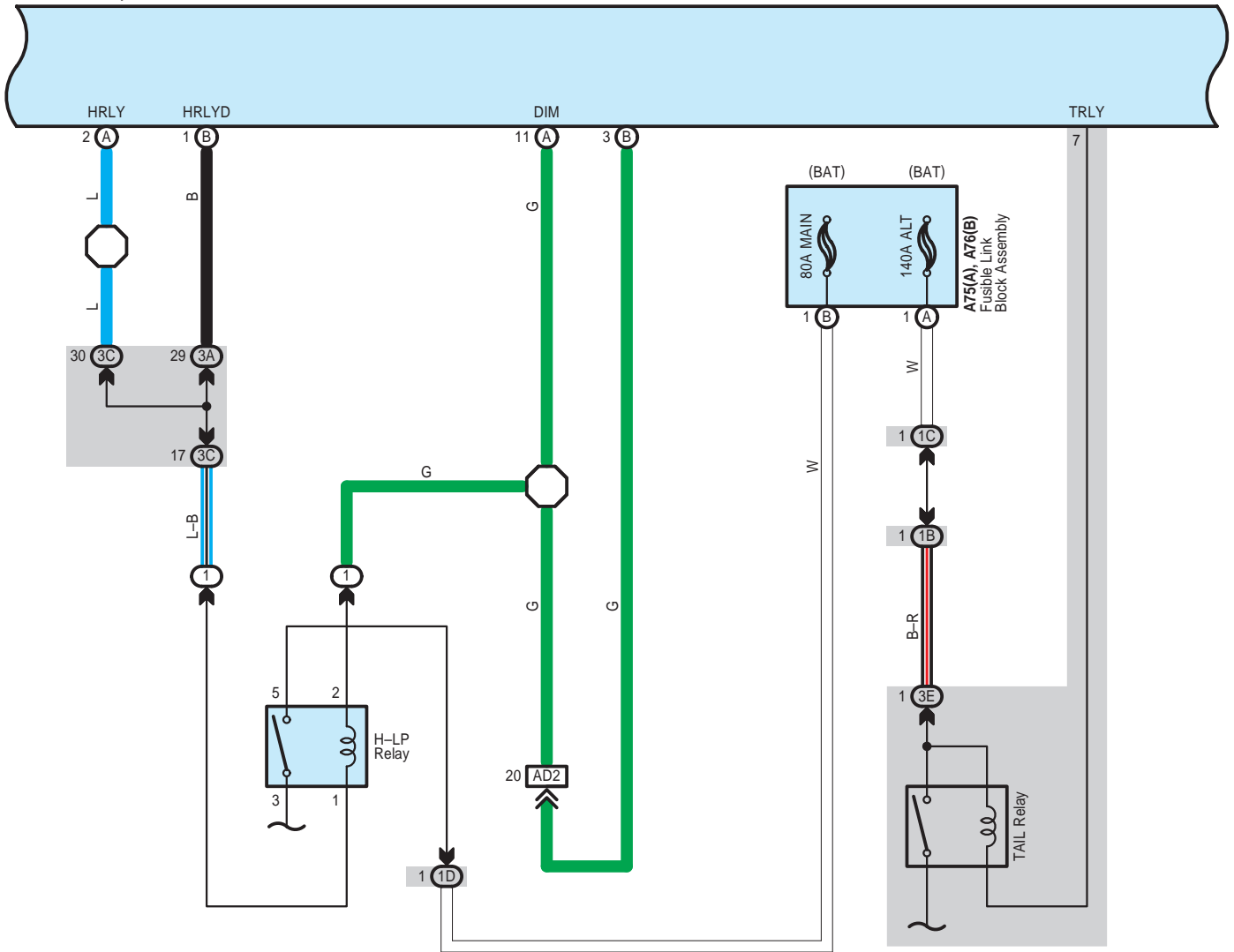


Automatic Light Control and Light Auto Turn Off System

A73(A), D5(B), D6(C)
Main Body ECU

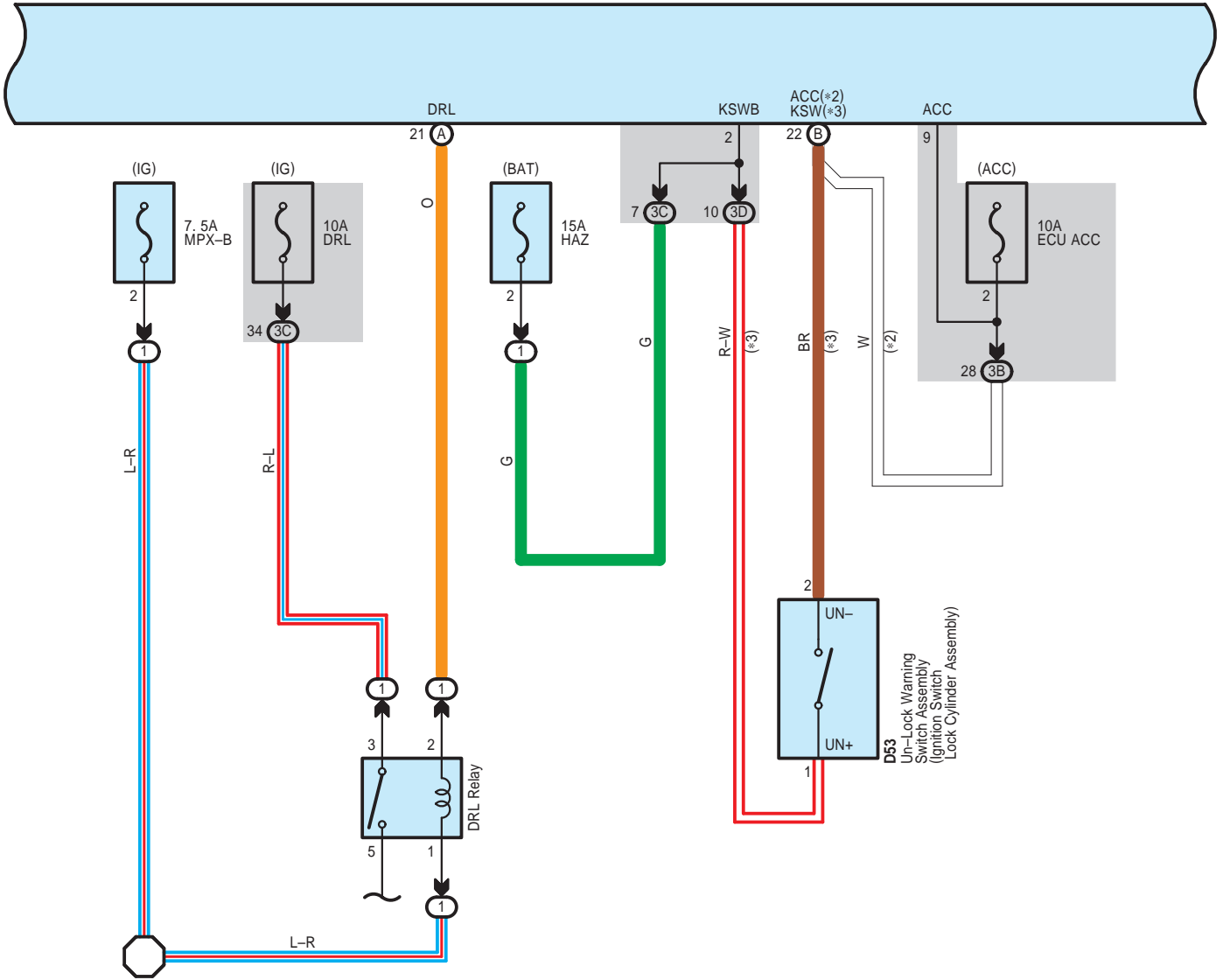


A73(A), D5(B), D6(C)
Main Body ECU



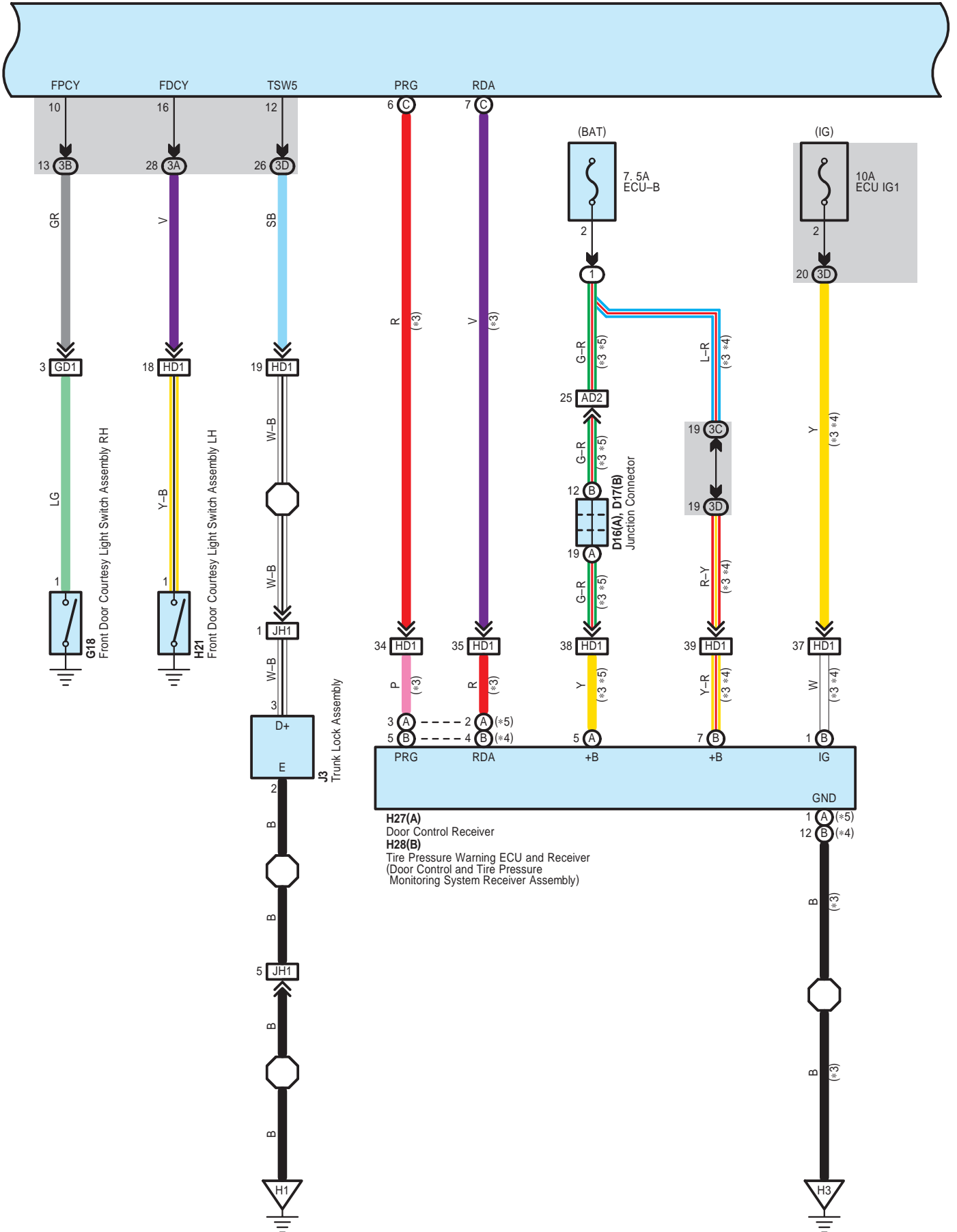
Automatic Light Control and Light Auto Turn Off System

A73(A), D5(B), D6(C)
Main Body ECU

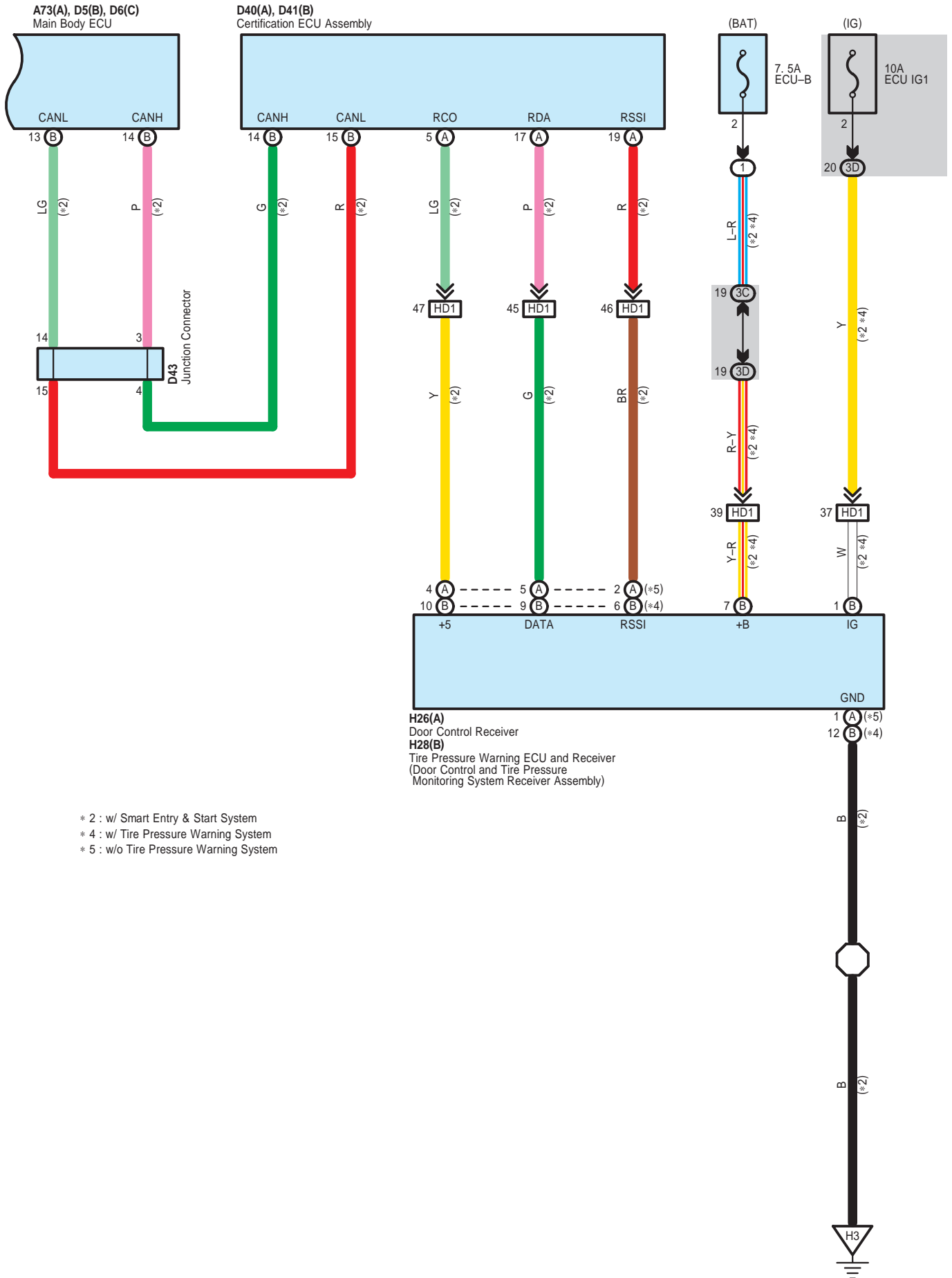


- * 2 : w/ Smart Entry & Start System
- * 3 : w/o Smart Entry & Start System
- * 4 : w/ Tire Pressure Warning System
- * 5 : w/o Tire Pressure Warning System

A73(A), D5(B), D6(C)
Main Body ECU



Automatic Light Control and Light Auto Turn Off System



○ : Parts Location

Code			See Page			Code			See Page			Code			See Page		
A9	A	42	D16	A	40	G18		44									
A73	A	42	D17	B	40	H21		45									
A75	A	36, 39	D40	A	41	H26	A	45									
A76	B	36, 39	D41	B	41	H27	A	45									
D5	B	40	D43		41	H28	B	45									
D6	C	40	D45		41	J3		45									
D8	A	40	D50	A	41												
D9	B	40	D53		41												

○ : Relay Blocks

Code	See Page	Relay Blocks (Relay Block Location)
1	24	Engine Room R/B (Engine Compartment Right)

○ : Junction Block and Wire Harness Connector

Code	See Page	Junction Block and Wire Harness (Connector Location)
1B	24	Engine Room Main Wire and Engine Room J/B (Engine Compartment Right)
1C		
1D		
3A	26	Instrument Panel Wire and Instrument Panel J/B Assembly (Instrument Panel Reinforcement)
3B		
3C	26	Engine Room Main Wire and Instrument Panel J/B Assembly (Instrument Panel Reinforcement)
3D	26	Instrument Panel Wire and Instrument Panel J/B Assembly (Instrument Panel Reinforcement)
3E	26	Engine Room Main Wire and Instrument Panel J/B Assembly (Instrument Panel Reinforcement)

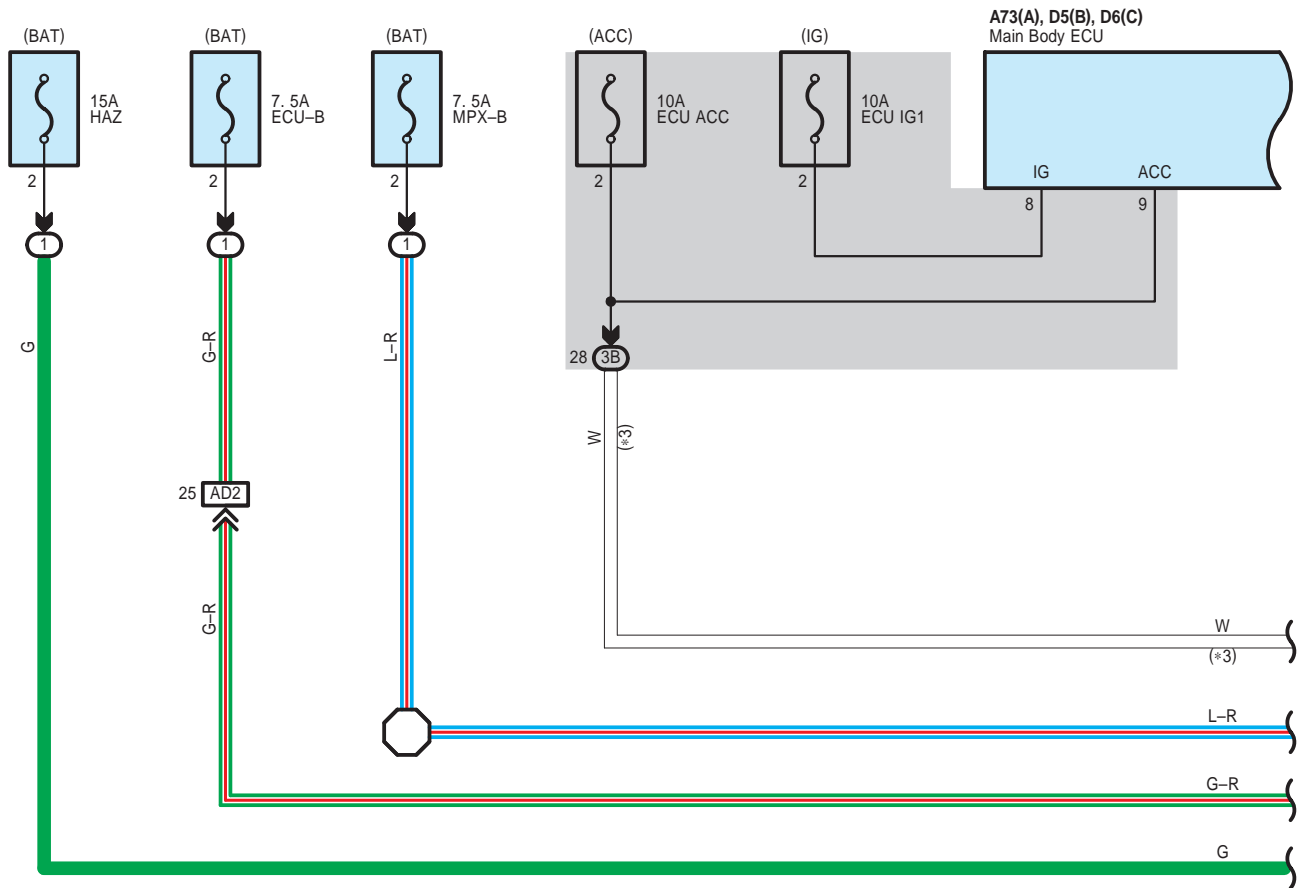
□ : Connector Joining Wire Harness and Wire Harness

Code	See Page	Joining Wire Harness and Wire Harness (Connector Location)
AD1	47	Engine Room Main Wire and Instrument Panel Wire (Cowl Side Panel LH)
AD2	47	Engine Room Main Wire and Instrument Panel Wire (Cowl Side Panel RH)
GD1	47	No. 1 Floor Wire and Instrument Panel Wire (Cowl Side Panel RH)
HD1	47	No. 2 Floor Wire and Instrument Panel Wire (Cowl Side Panel LH)
JH1	48	Trunk Wire and No. 2 Floor Wire (Quarter Panel LH)

▽ : Ground Points

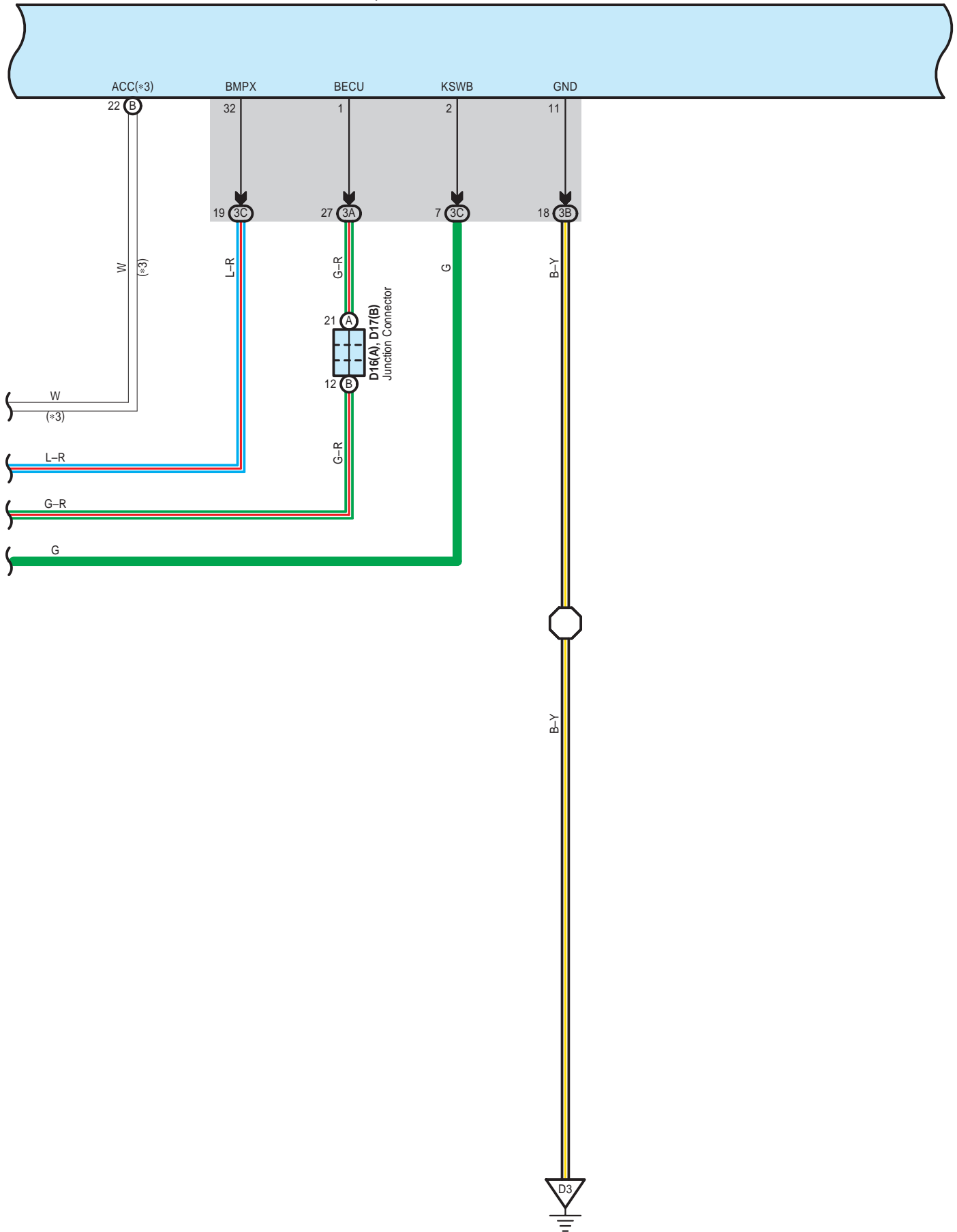
Code	See Page	Ground Points Location
A3	47	Cowl Side Panel RH
D1	47	Cowl Side Panel LH
D3	47	Instrument Panel Brace RH
D4	47	Cowl Side Panel RH
H1	48	Lower Back Panel
H3	48	Quarter Wheel House Panel LH

Headlight Beam Level Control

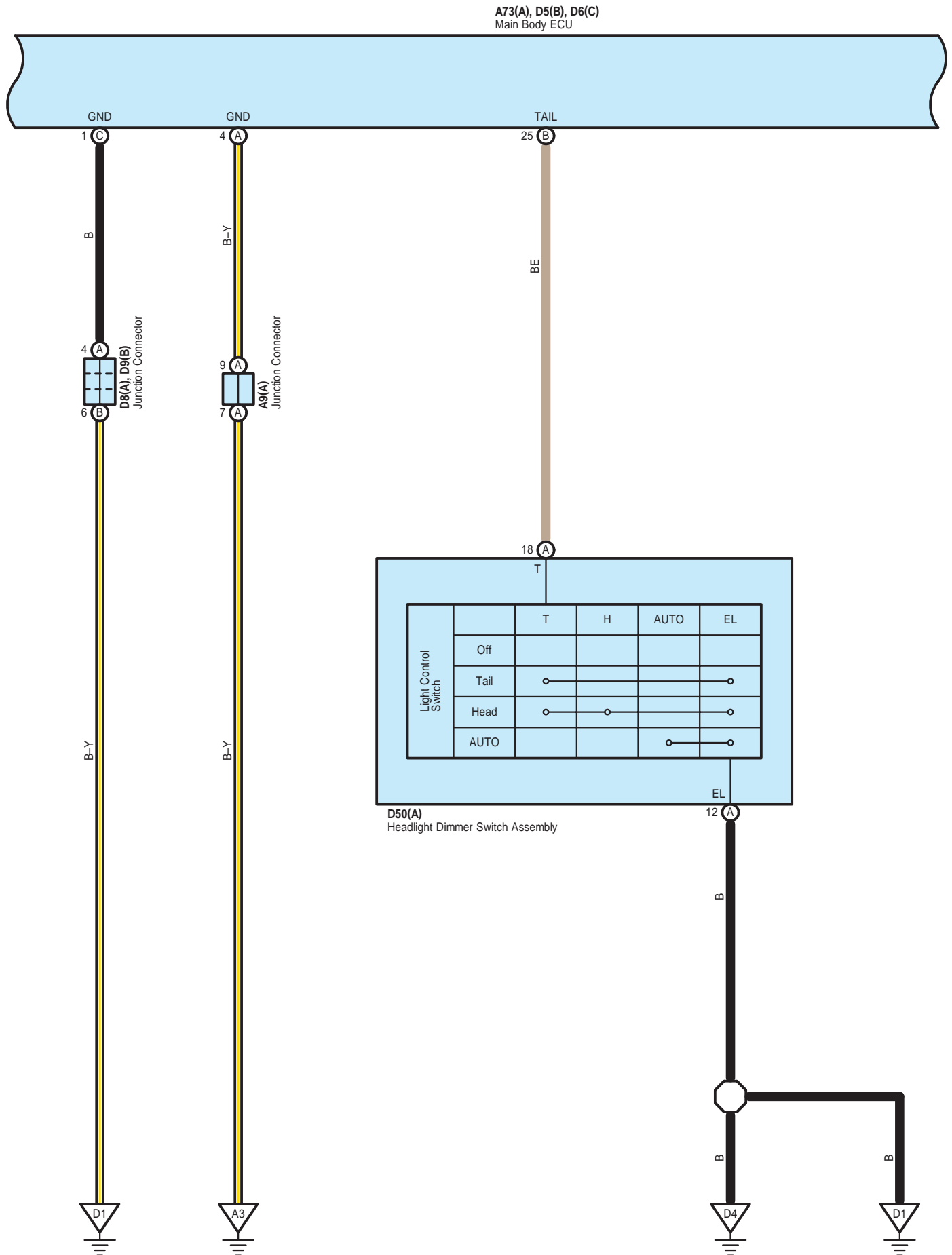


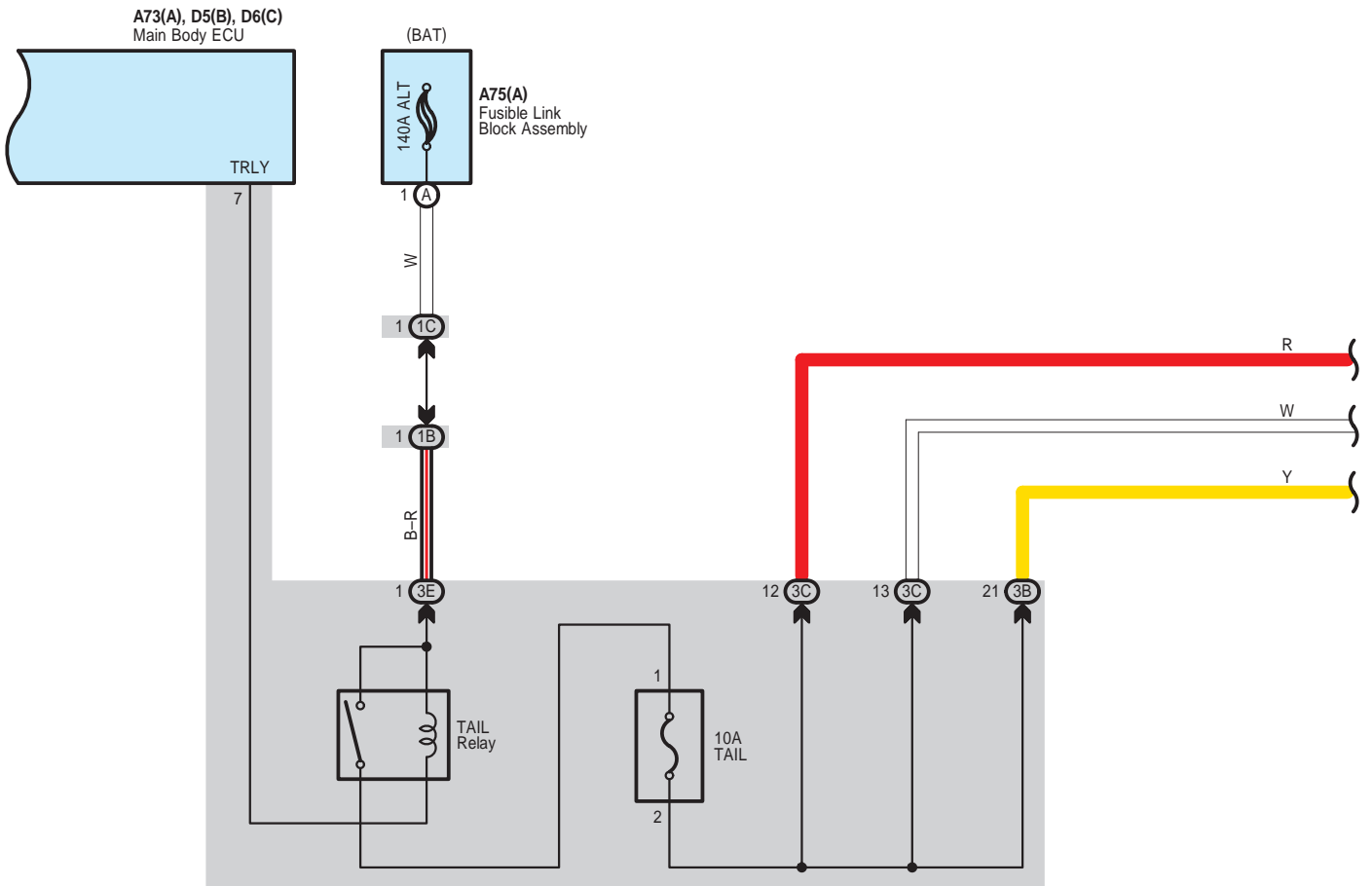
* 3 : w/ Smart Entry & Start System

A73(A), D5(B), D6(C)
Main Body ECU

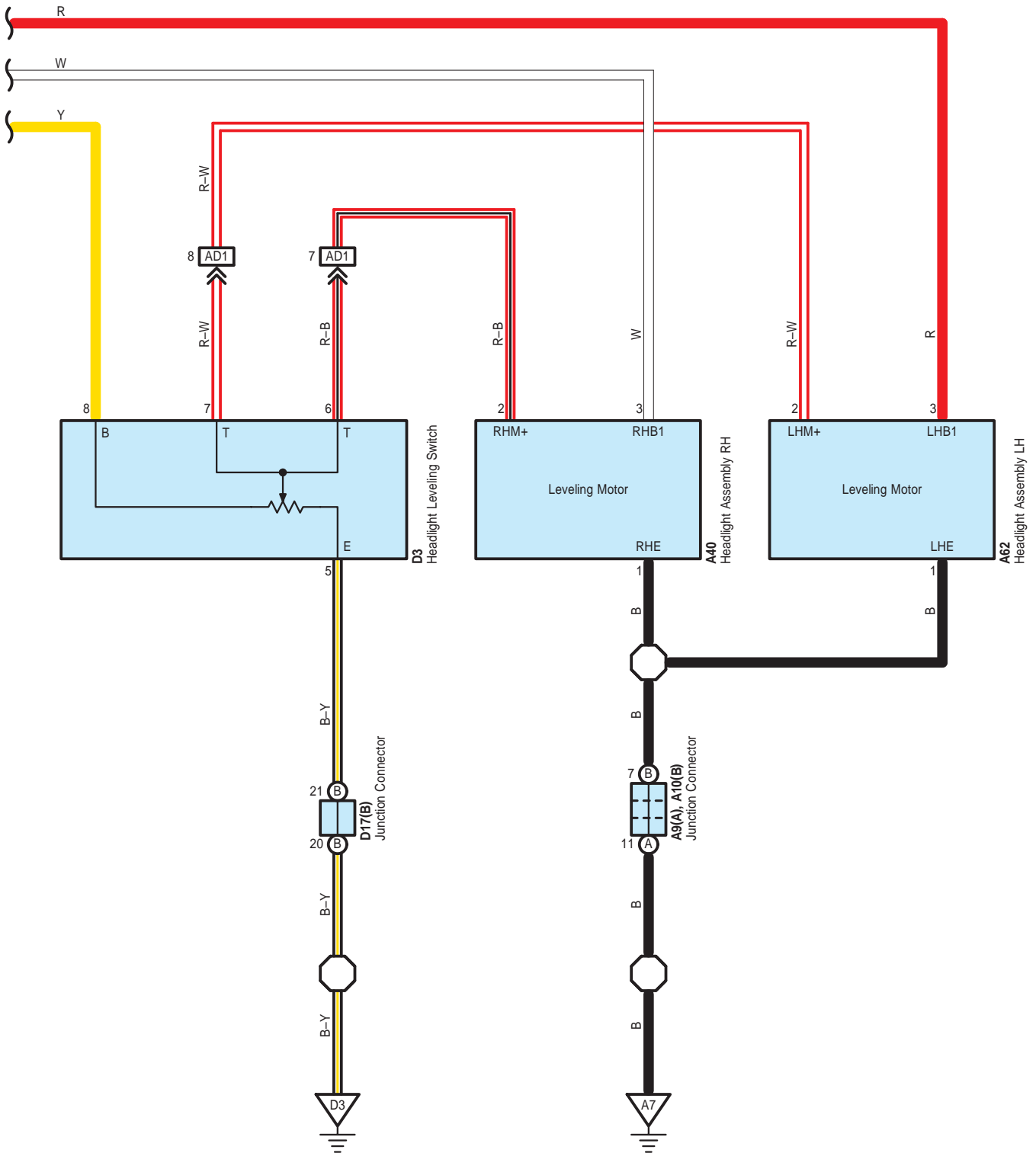


Headlight Beam Level Control





Headlight Beam Level Control



○ : Parts Location

Code		See Page	Code		See Page	Code		See Page
A9	A	42	A75	A	36, 39	D9	B	40
A10	B	42	D3		40	D16	A	40
A40		39	D5	B	40	D17	B	40
A62		39	D6	C	40	D50	A	41
A73	A	42	D8	A	40			

○ : Relay Blocks

Code	See Page	Relay Blocks (Relay Block Location)
1	24	Engine Room R/B (Engine Compartment Right)

○ : Junction Block and Wire Harness Connector

Code	See Page	Junction Block and Wire Harness (Connector Location)
1B	24	Engine Room Main Wire and Engine Room J/B (Engine Compartment Right)
1C		
3A	26	Instrument Panel Wire and Instrument Panel J/B Assembly (Instrument Panel Reinforcement)
3B		
3C	26	Engine Room Main Wire and Instrument Panel J/B Assembly (Instrument Panel Reinforcement)
3E		

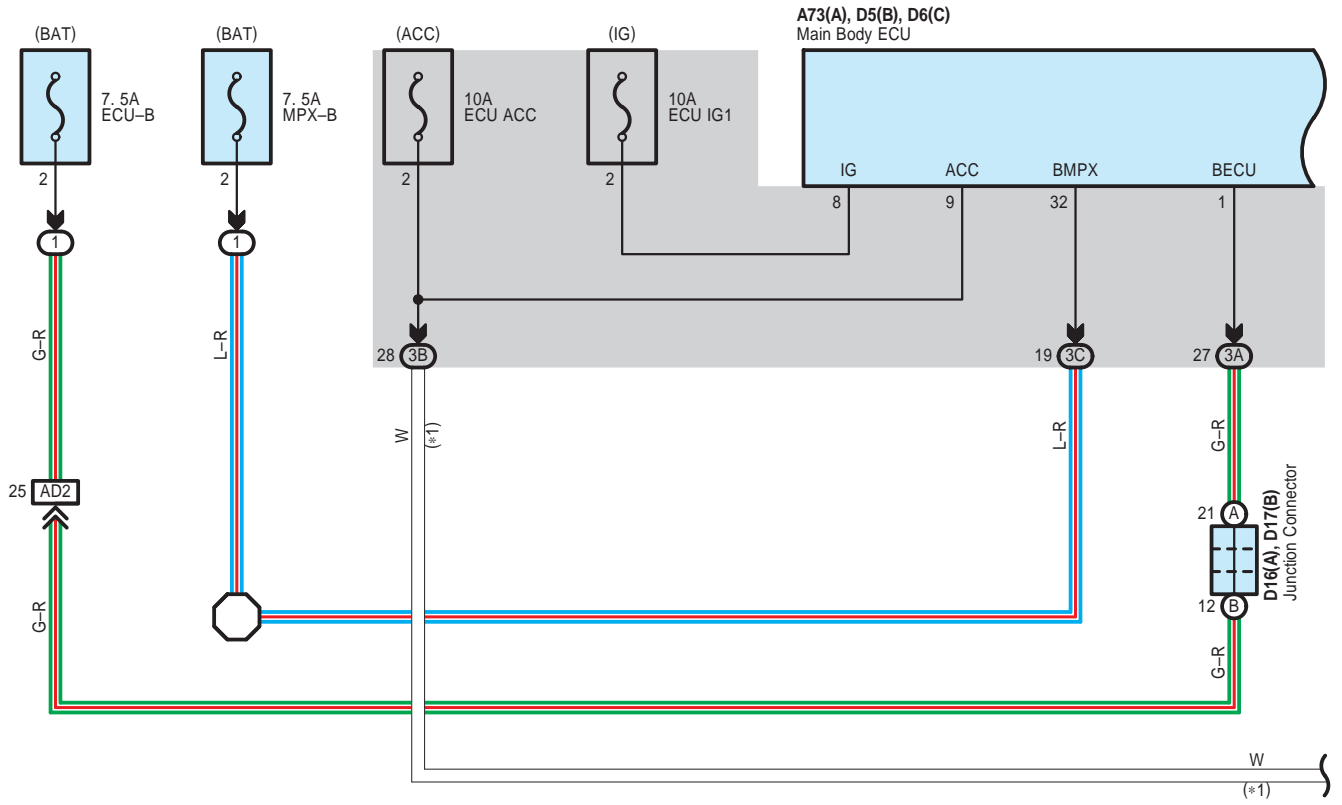
□ : Connector Joining Wire Harness and Wire Harness

Code	See Page	Joining Wire Harness and Wire Harness (Connector Location)
AD1	47	Engine Room Main Wire and Instrument Panel Wire (Cowl Side Panel LH)
AD2	47	Engine Room Main Wire and Instrument Panel Wire (Cowl Side Panel RH)

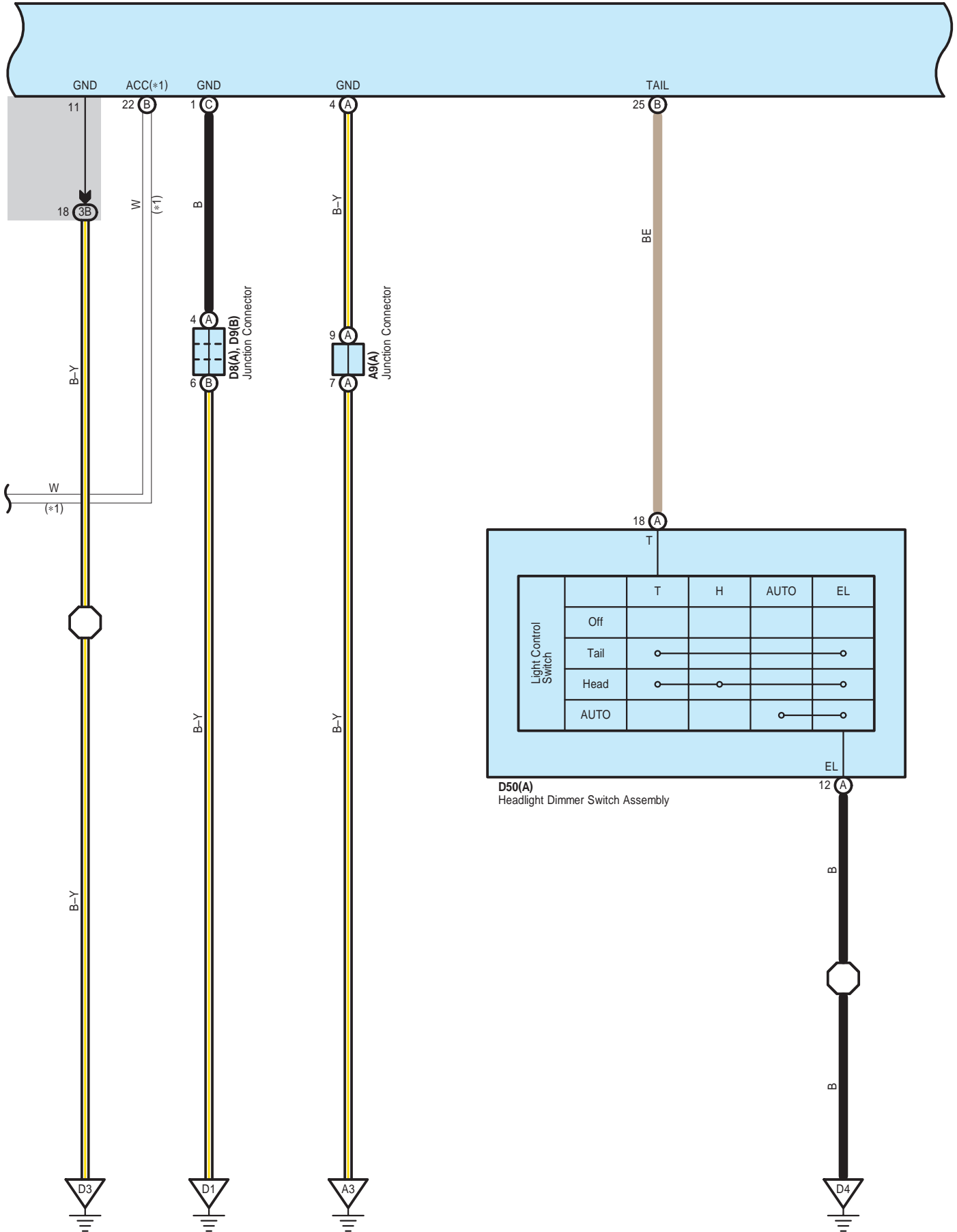
▽ : Ground Points

Code	See Page	Ground Points Location
A3	47	Cowl Side Panel RH
A7	46	Front Fender Apron RH
D1	47	Cowl Side Panel LH
D3	47	Instrument Panel Brace RH
D4	47	Cowl Side Panel RH

Key Reminder (w/o Smart Entry & Start System) and Light Reminder

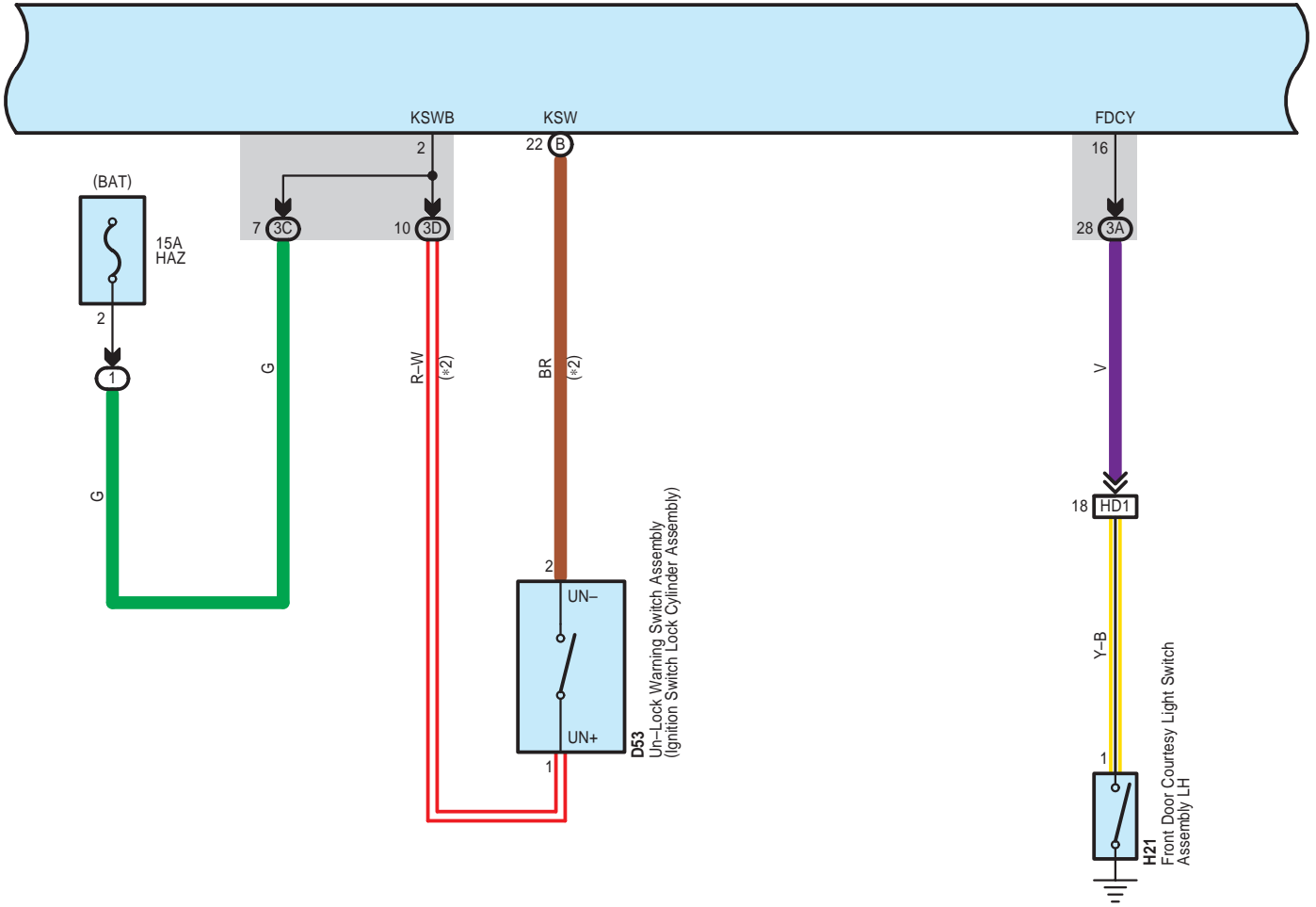


* 1 : w/ Smart Entry & Start System

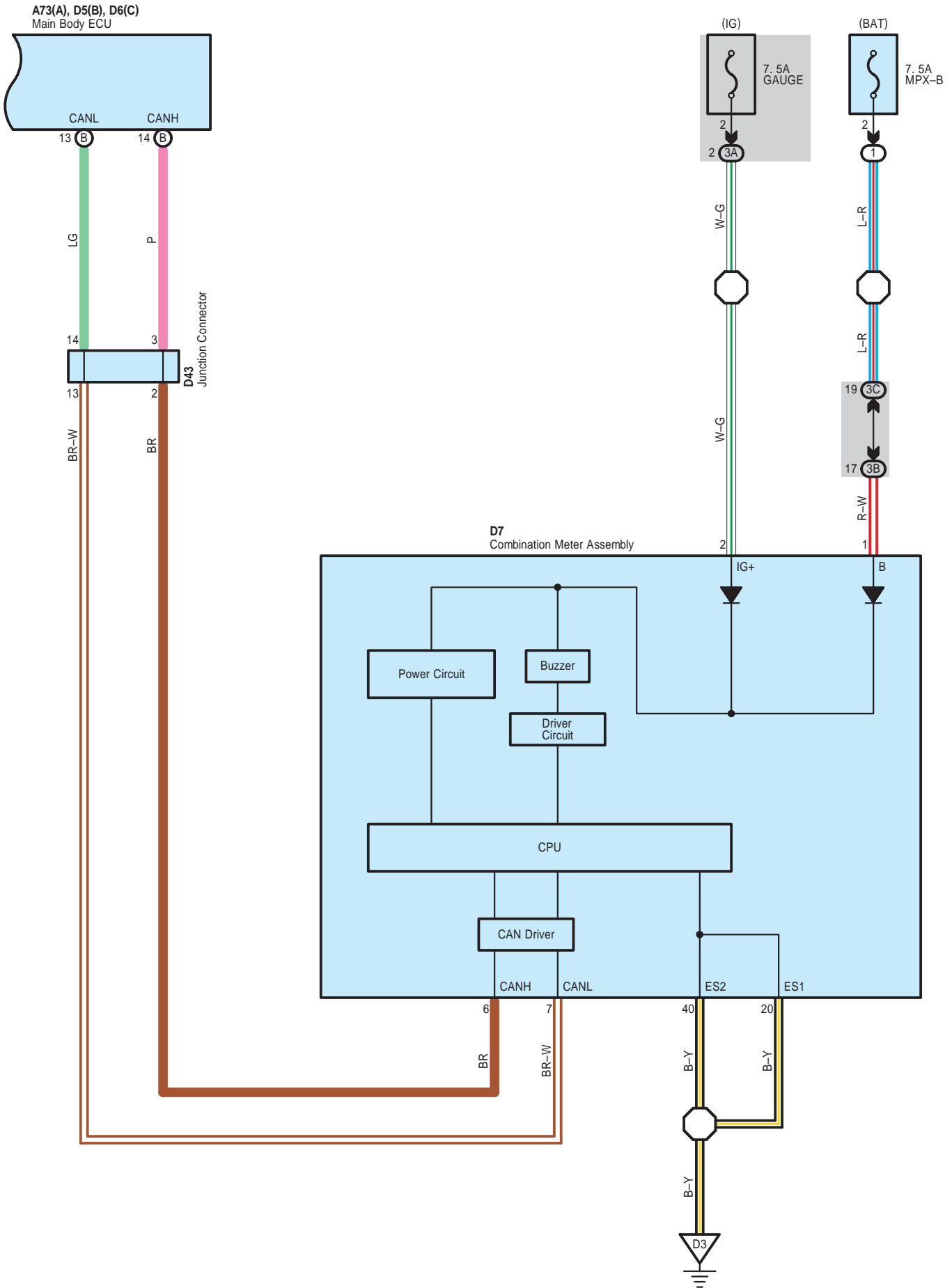


Key Reminder (w/o Smart Entry & Start System) and Light Reminder

A73(A), D5(B), D6(C)
Main Body ECU



* 2 : w/o Smart Entry & Start System



Key Reminder (w/o Smart Entry & Start System) and Light Reminder

 : **Parts Location**

Code			See Page			Code			See Page			Code			See Page		
A9	A	42	D8	A	40	D50	A	41									
A73	A	42	D9	B	40	D53		41									
D5	B	40	D16	A	40	H21		45									
D6	C	40	D17	B	40												
D7		40	D43		41												

 : **Relay Blocks**

Code	See Page	Relay Blocks (Relay Block Location)
1	24	Engine Room R/B (Engine Compartment Right)

 : **Junction Block and Wire Harness Connector**

Code	See Page	Junction Block and Wire Harness (Connector Location)
3A	26	Instrument Panel Wire and Instrument Panel J/B Assembly (Instrument Panel Reinforcement)
3B		
3C	26	Engine Room Main Wire and Instrument Panel J/B Assembly (Instrument Panel Reinforcement)
3D	26	Instrument Panel Wire and Instrument Panel J/B Assembly (Instrument Panel Reinforcement)

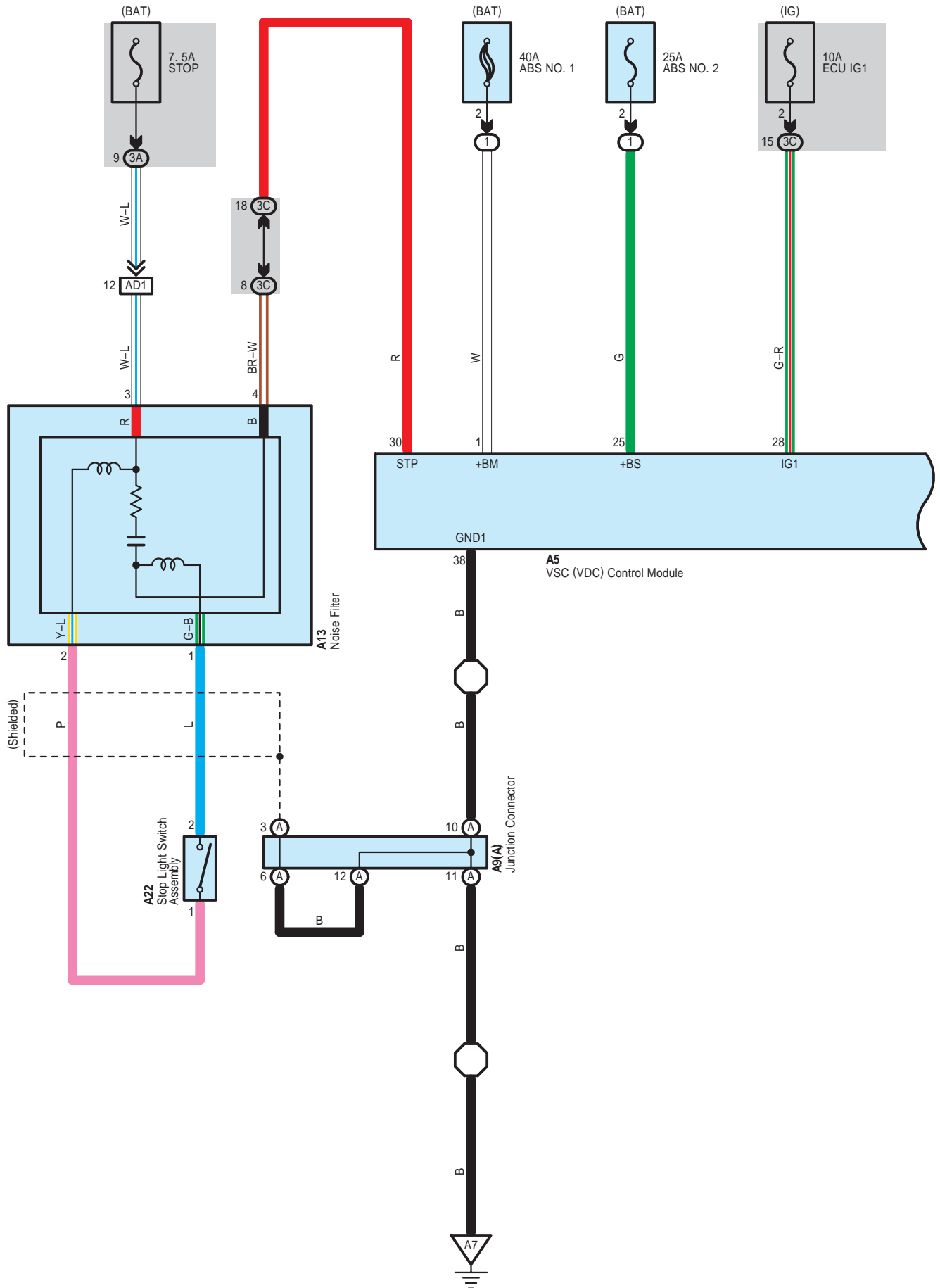
 : **Connector Joining Wire Harness and Wire Harness**

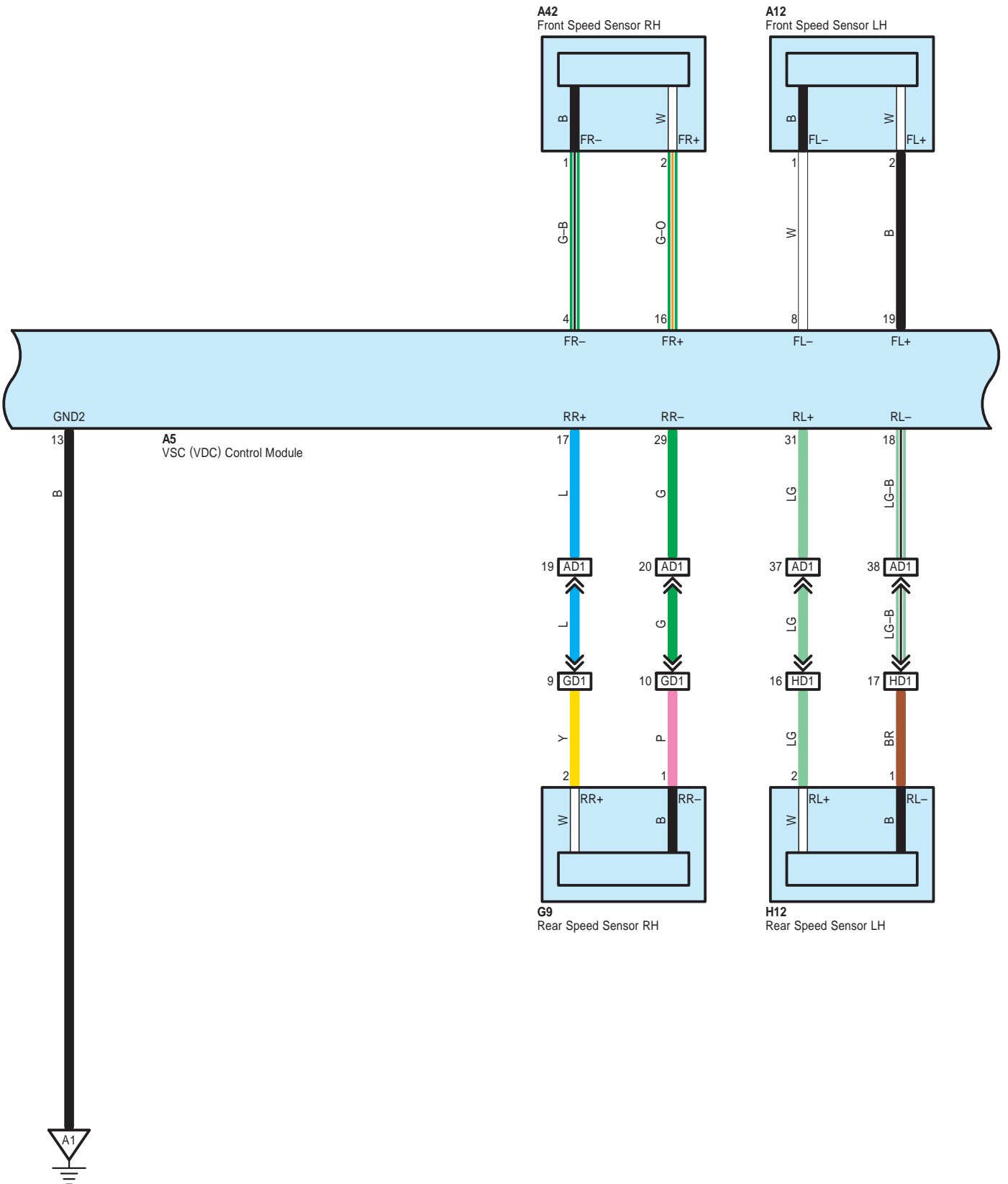
Code	See Page	Joining Wire Harness and Wire Harness (Connector Location)
AD2	47	Engine Room Main Wire and Instrument Panel Wire (Cowl Side Panel RH)
HD1	47	No. 2 Floor Wire and Instrument Panel Wire (Cowl Side Panel LH)

 : **Ground Points**

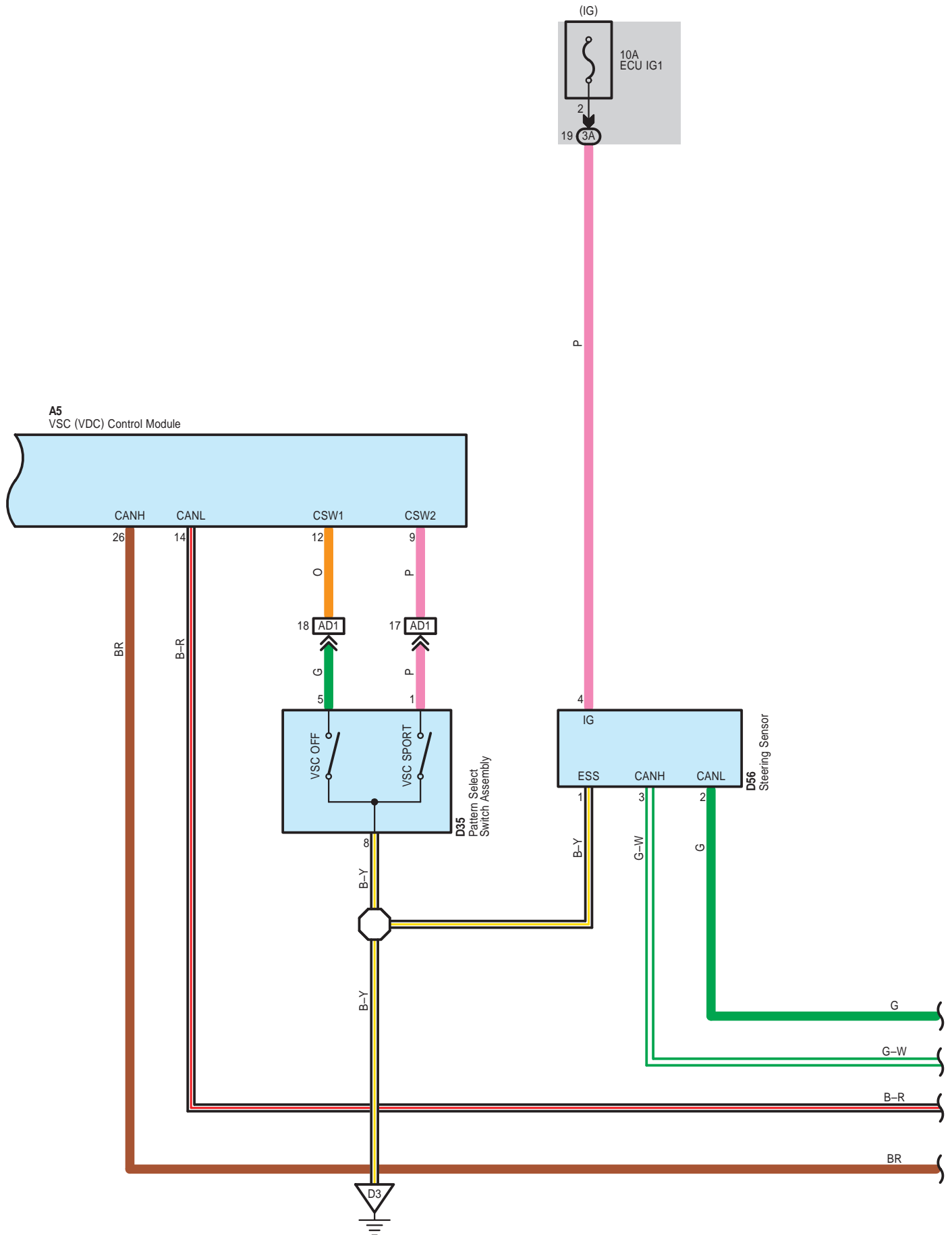
Code	See Page	Ground Points Location
A3	47	Cowl Side Panel RH
D1	47	Cowl Side Panel LH
D3	47	Instrument Panel Brace RH
D4	47	Cowl Side Panel RH

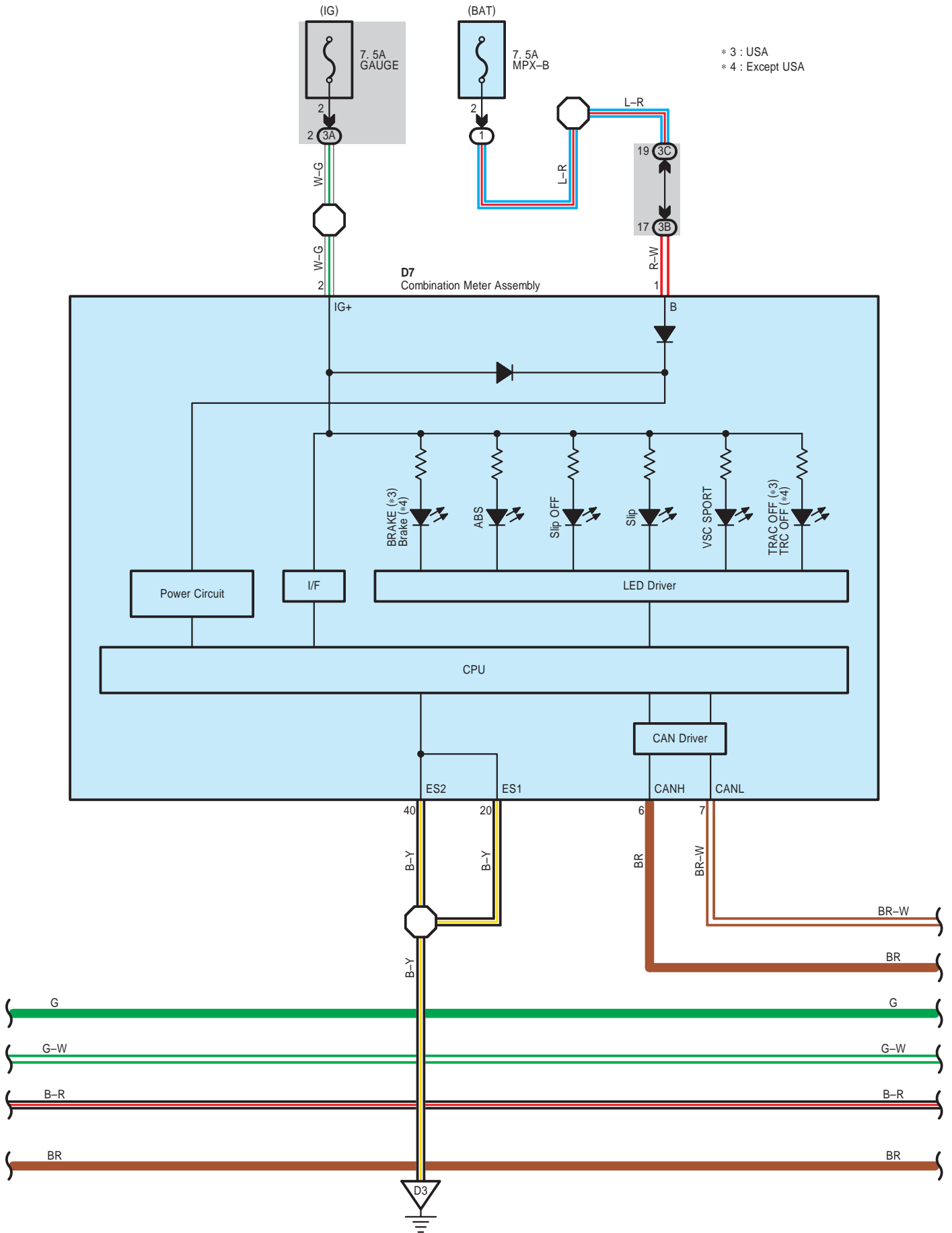
ABS, TRAC and VSC

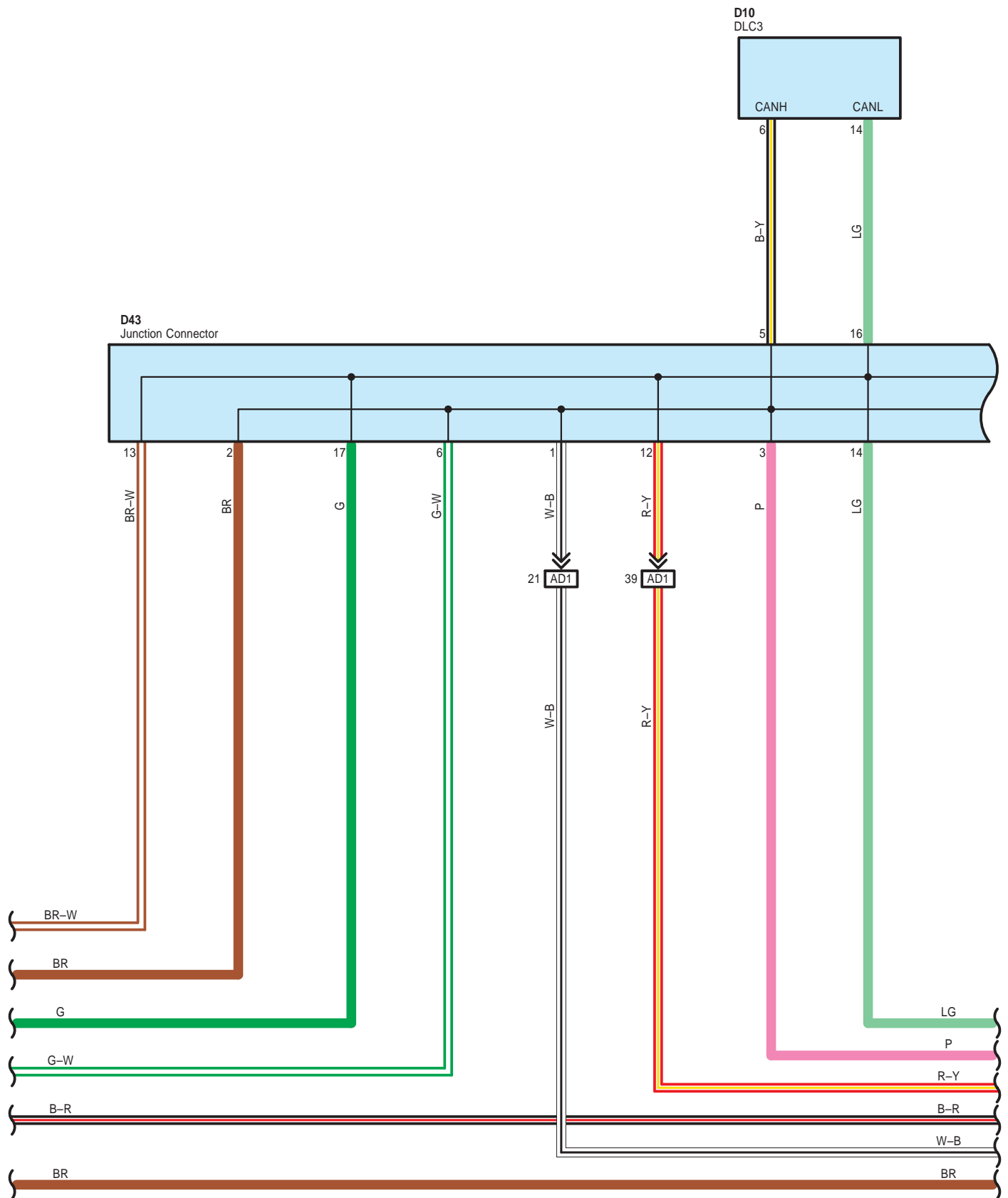


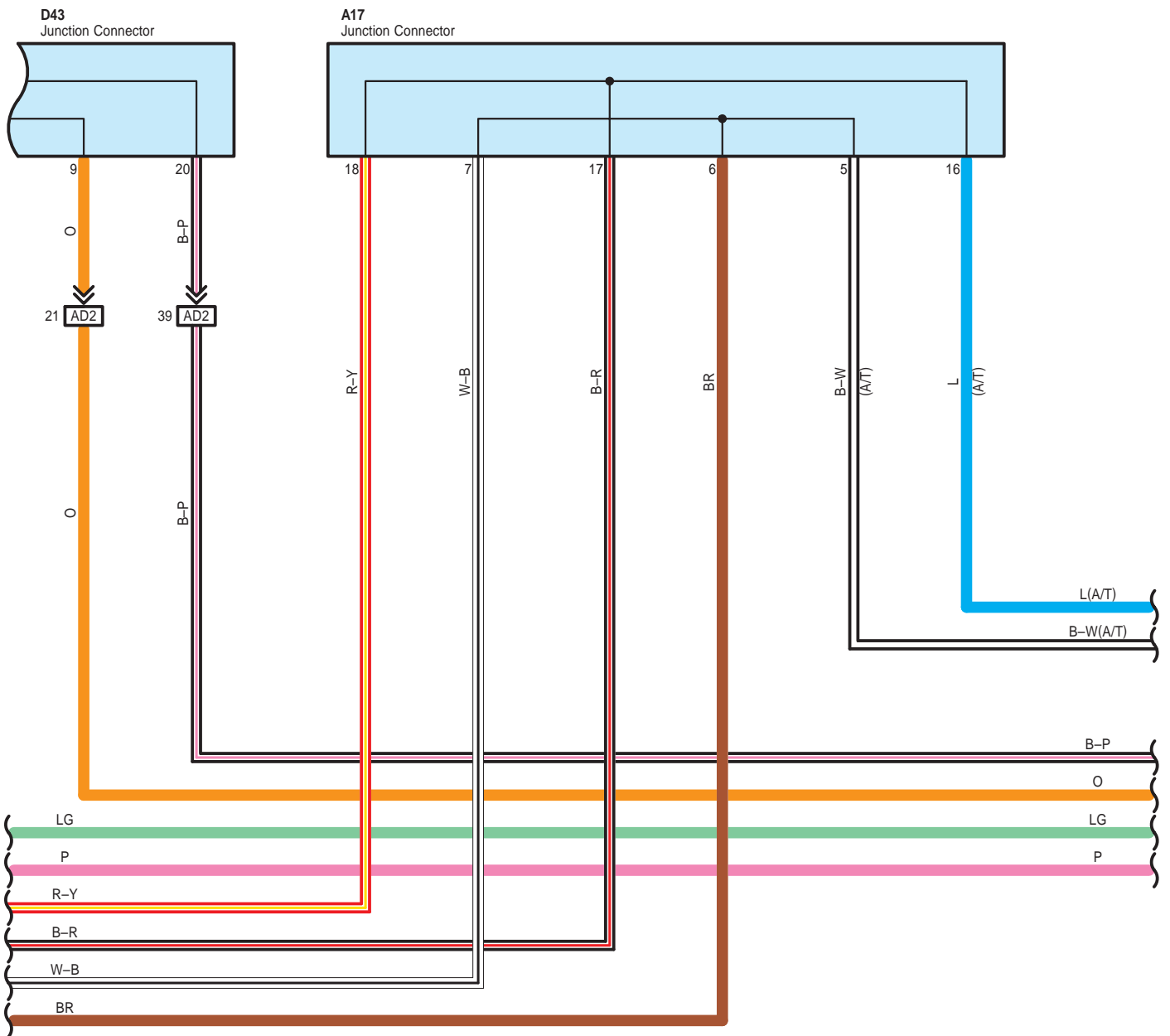


ABS, TRAC and VSC

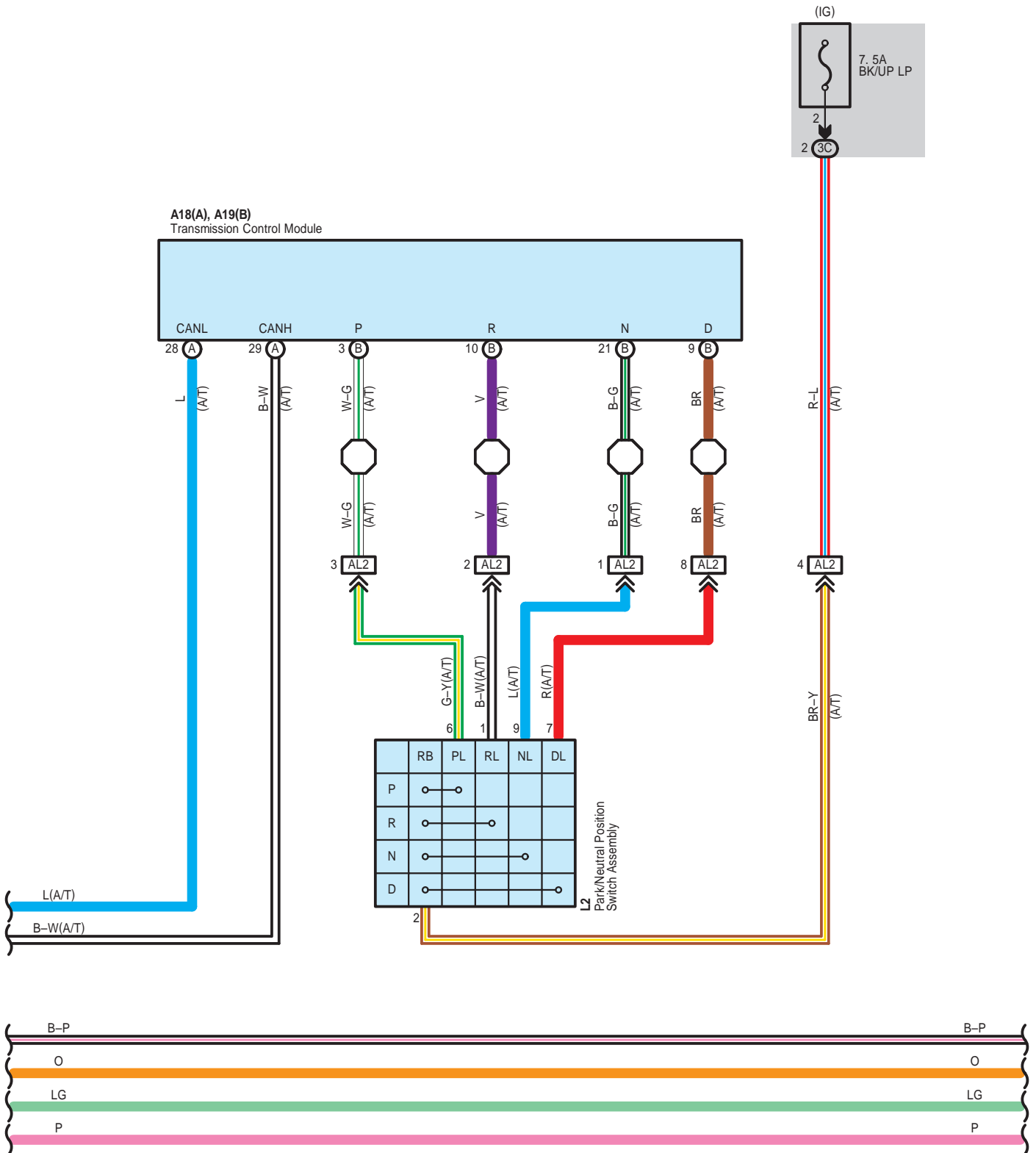




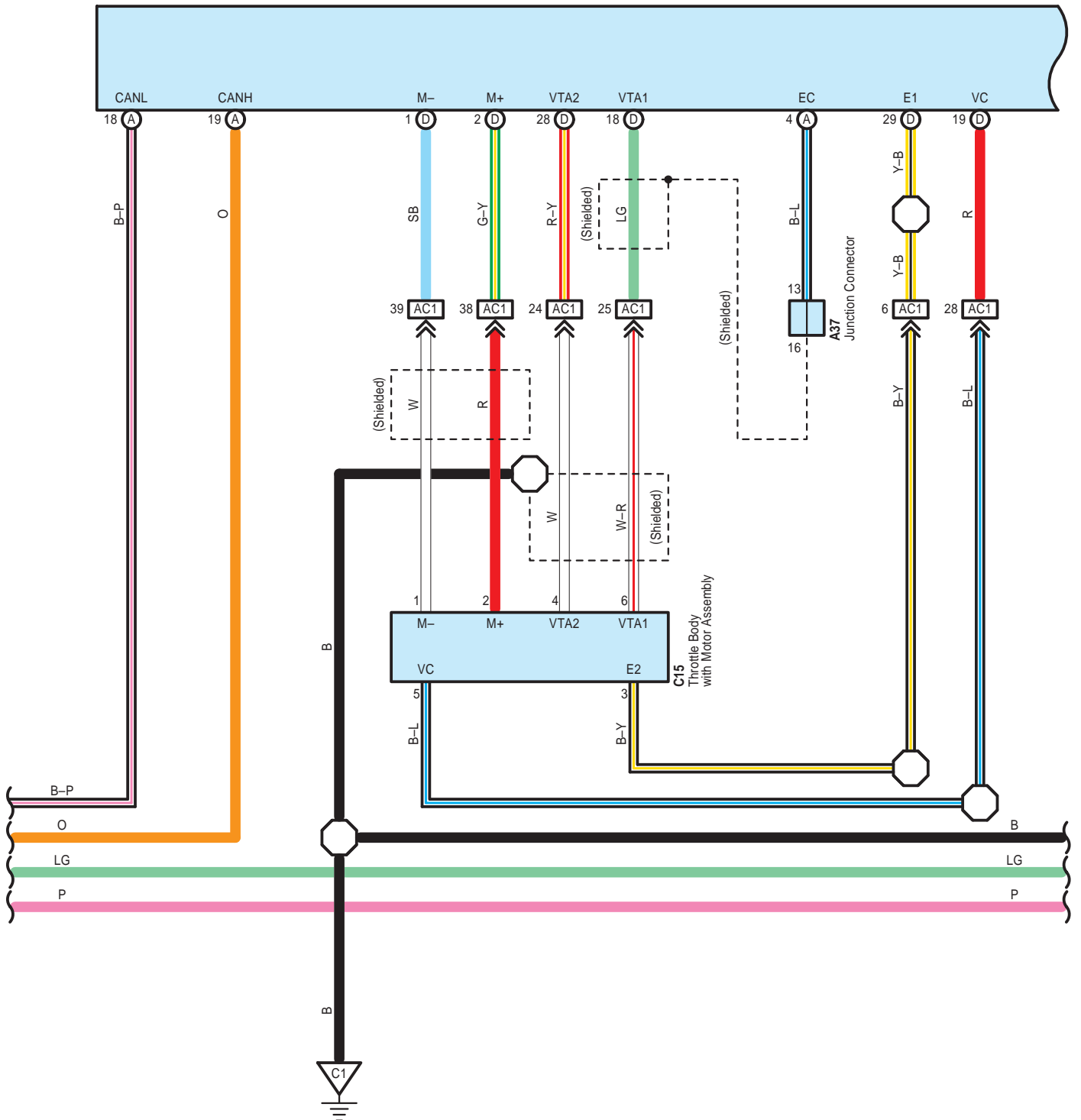




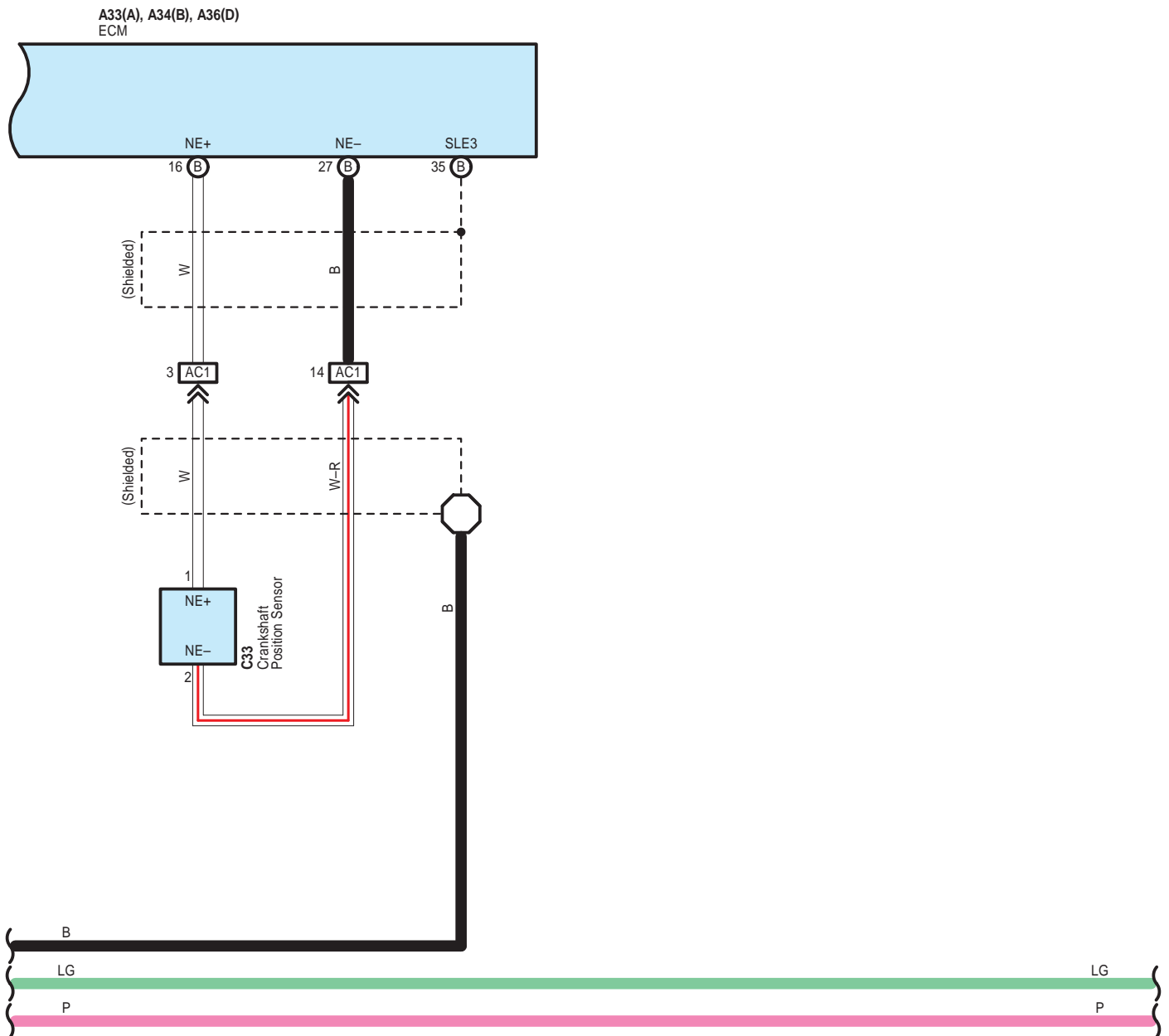
ABS, TRAC and VSC

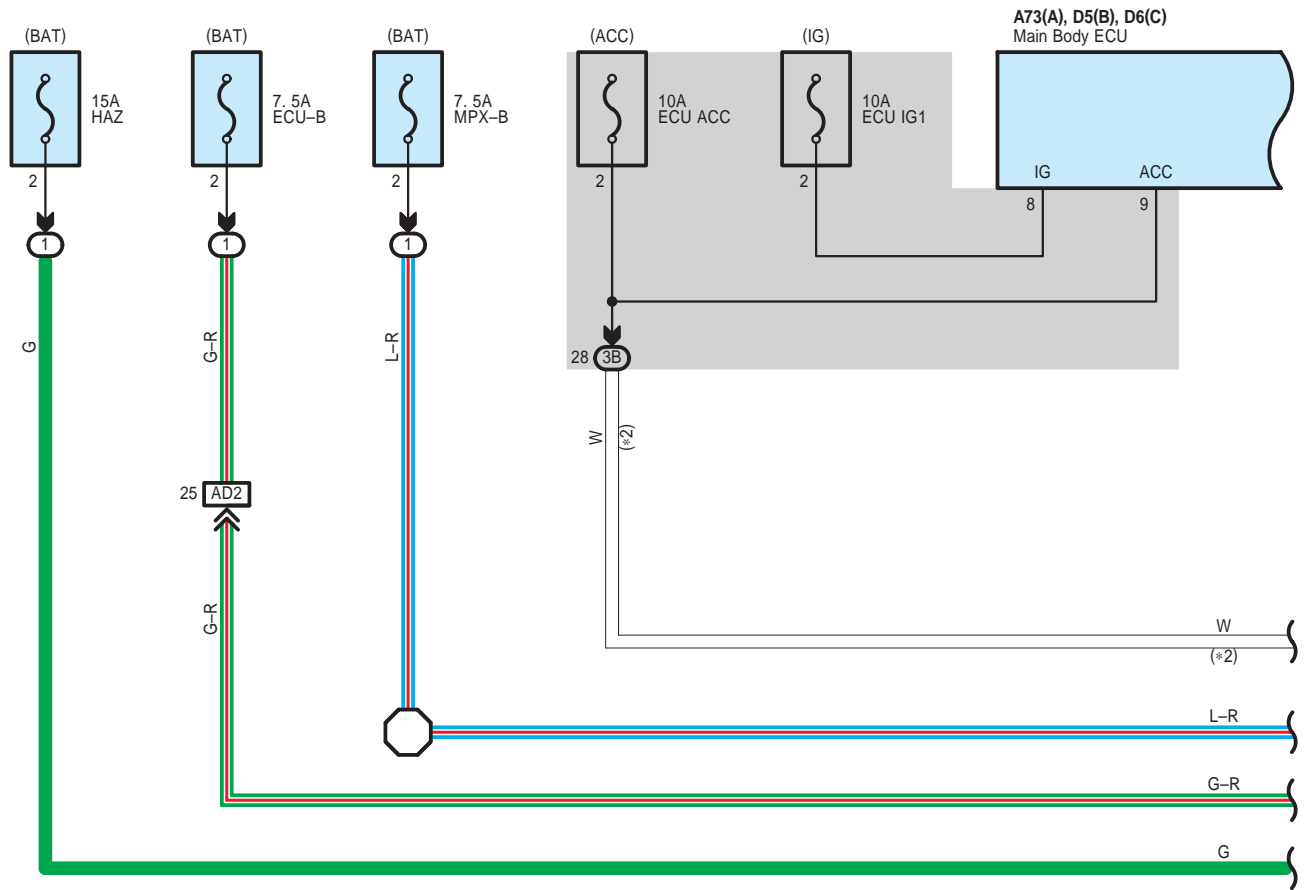


A33(A), A34(B), A36(D)
ECM



ABS, TRAC and VSC



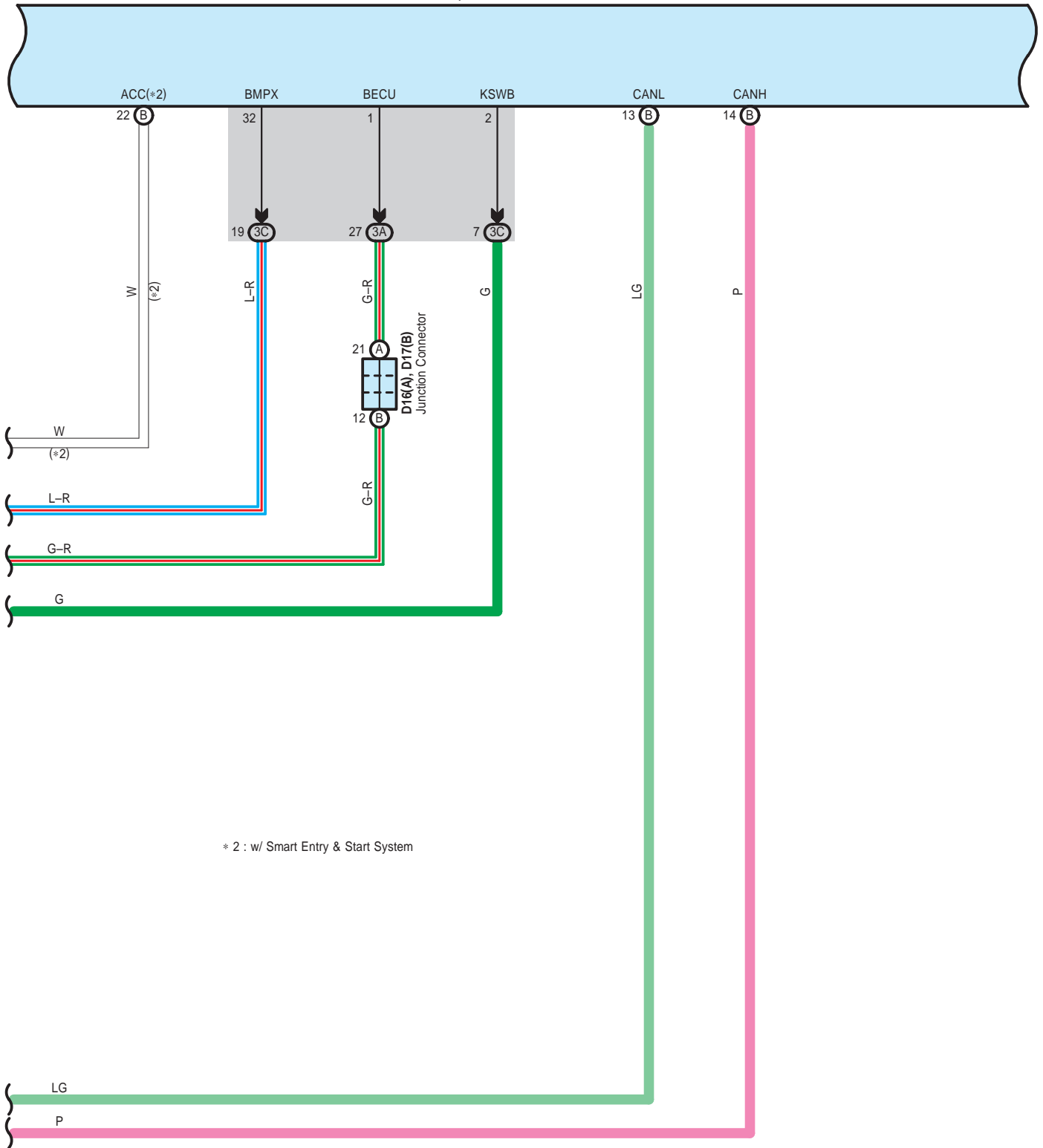


* 2 : w/ Smart Entry & Start System

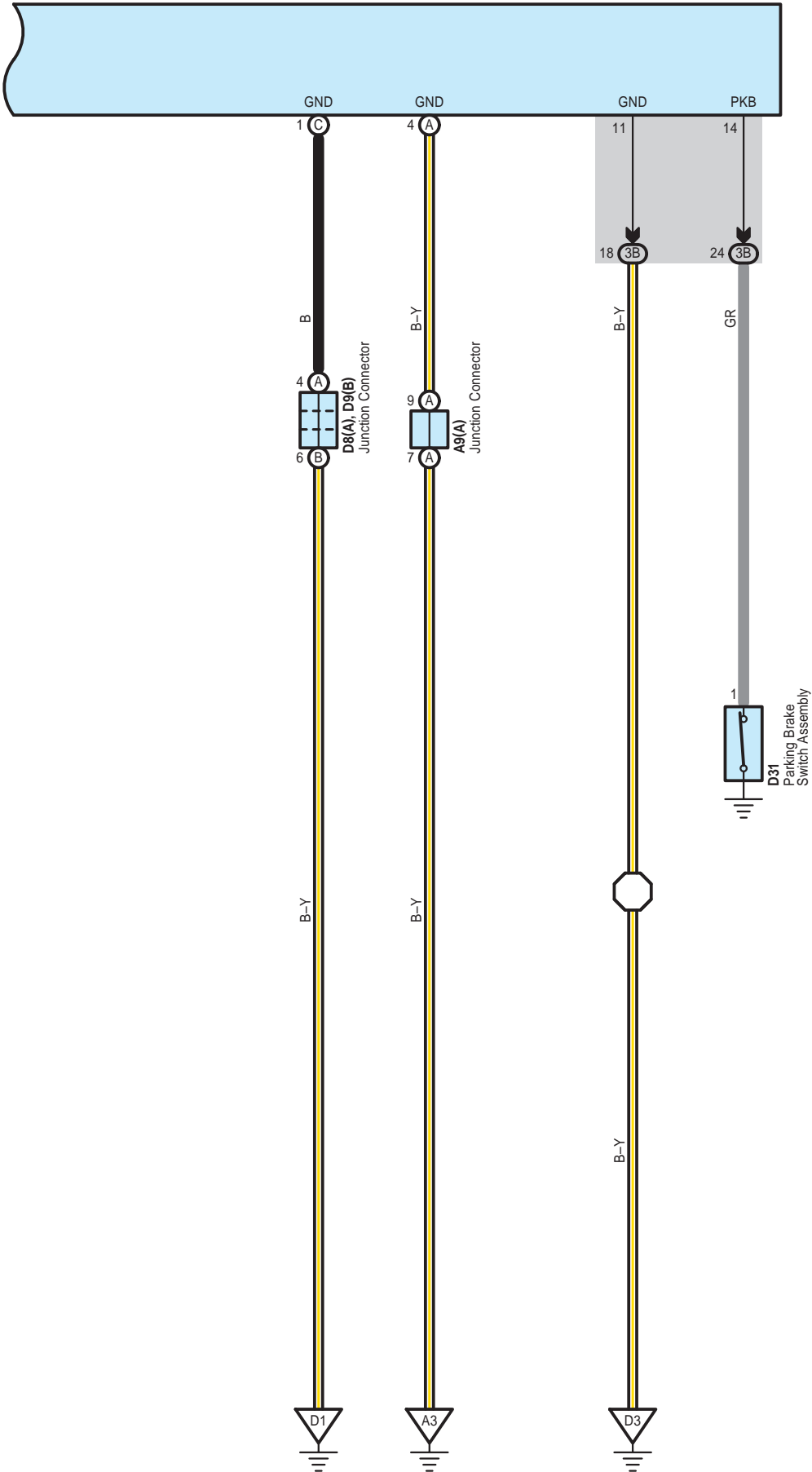


ABS, TRAC and VSC

A73(A), D5(B), D6(C)
Main Body ECU



A73(A), D5(B), D6(C)
Main Body ECU



ABS, TRAC and VSC

: Parts Location

Code	See Page	Code	See Page	Code	See Page
A5	39	A37	42	D16 A	40
A9 A	42	A42	39	D17 B	40
A12	39	A73 A	42	D31	40
A13	42	C15	38	D35	40
A17	42	C33	38	D43	41
A18 A	42	D5 B	40	D56	41
A19 B	42	D6 C	40	G9	44
A22	42	D7	40	H12	45
A33 A	42	D8 A	40	L2	39
A34 B	42	D9 B	40		
A36 D	42	D10	40		

: Relay Blocks

Code	See Page	Relay Blocks (Relay Block Location)
1	24	Engine Room R/B (Engine Compartment Right)

: Junction Block and Wire Harness Connector

Code	See Page	Junction Block and Wire Harness (Connector Location)
3A	26	Instrument Panel Wire and Instrument Panel J/B Assembly (Instrument Panel Reinforcement)
3B		
3C	26	Engine Room Main Wire and Instrument Panel J/B Assembly (Instrument Panel Reinforcement)

: Connector Joining Wire Harness and Wire Harness

Code	See Page	Joining Wire Harness and Wire Harness (Connector Location)
AC1	46	Engine Room Main Wire and Engine Wire (Engine Unit)
AD1	47	Engine Room Main Wire and Instrument Panel Wire (Cowl Side Panel LH)
AD2	47	Engine Room Main Wire and Instrument Panel Wire (Cowl Side Panel RH)
AL2	46	Engine Room Main Wire and Transmission Wire (Dash Panel)
GD1	47	No. 1 Floor Wire and Instrument Panel Wire (Cowl Side Panel RH)
HD1	47	No. 2 Floor Wire and Instrument Panel Wire (Cowl Side Panel LH)

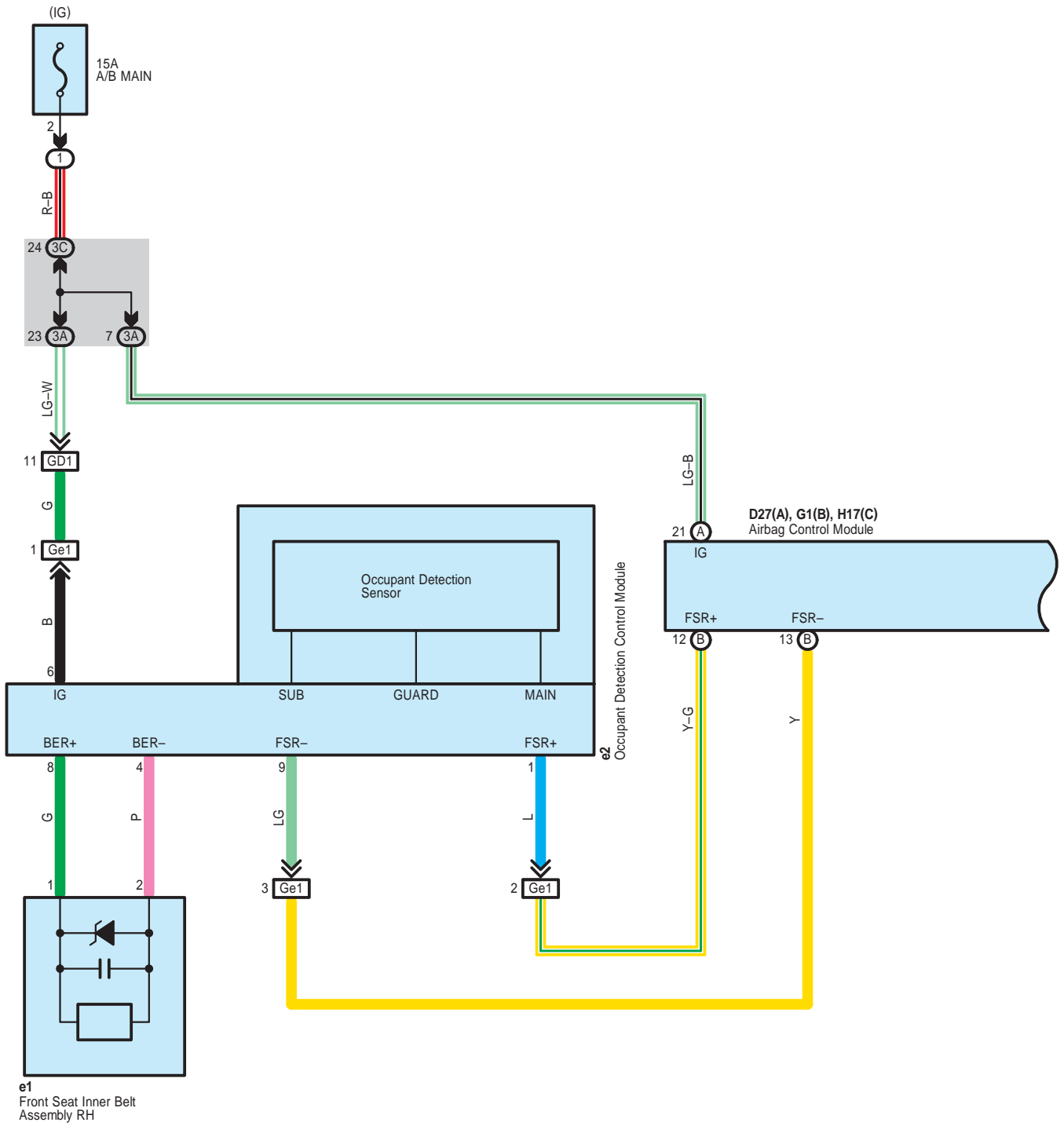
: Ground Points

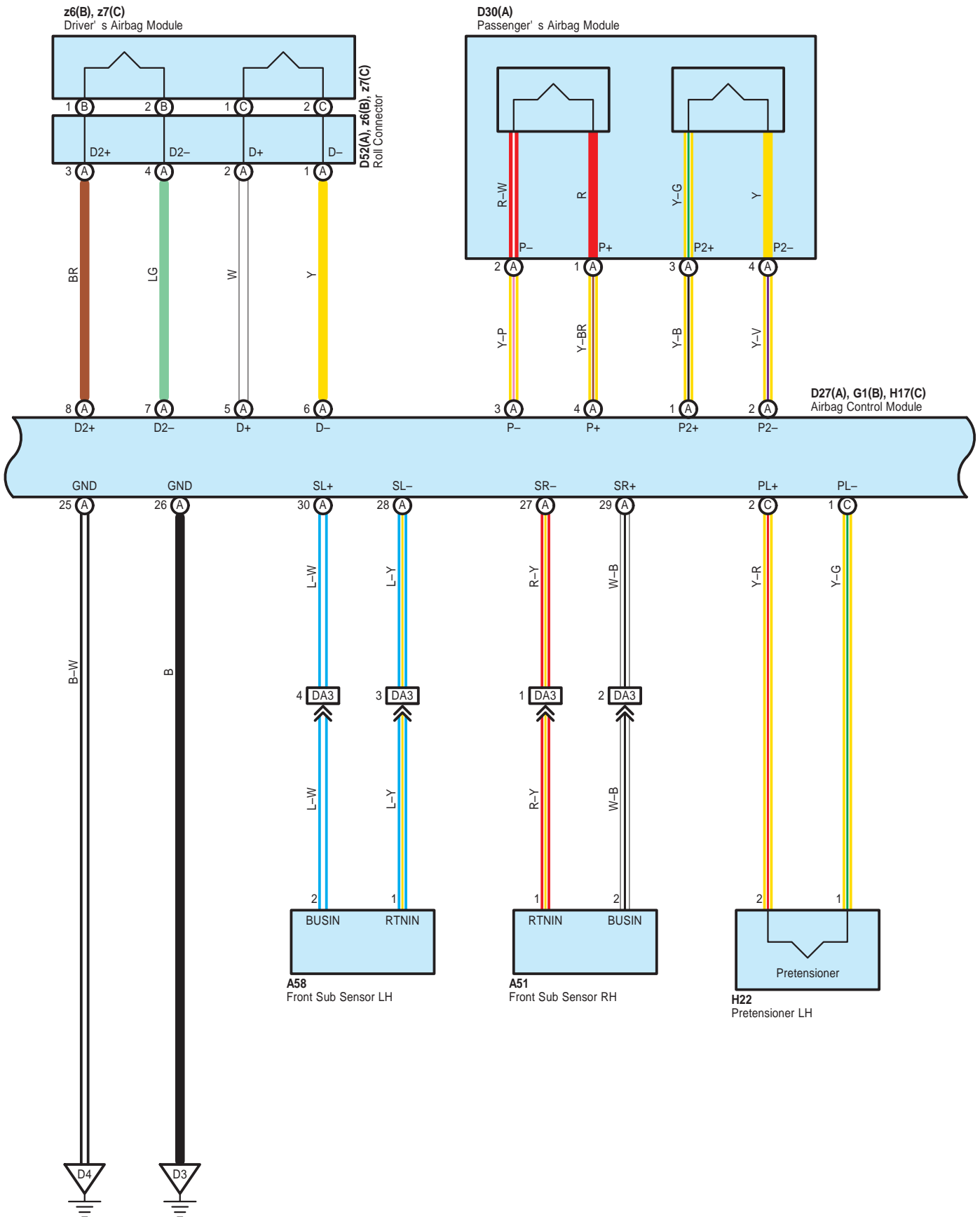
Code	See Page	Ground Points Location
A1	46	Front Fender Apron LH
A3	47	Cowl Side Panel RH
A7	46	Front Fender Apron RH
C1	46	Engine Unit
D1	47	Cowl Side Panel LH
D3	47	Instrument Panel Brace RH

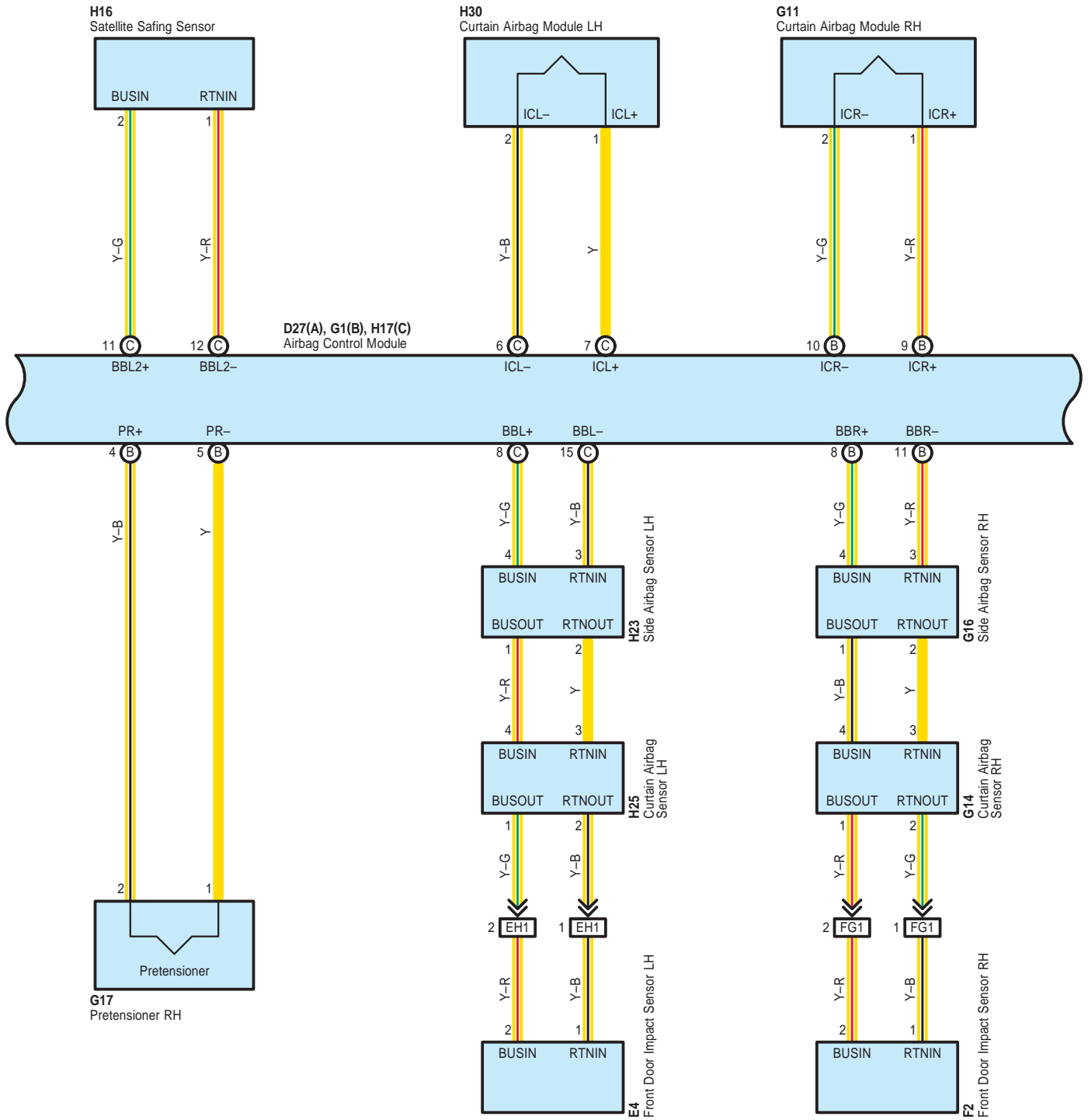
NOTICE : When inspecting or repairing the SRS, perform service in accordance with the following precautionary instructions and the procedure, and precautions in the Repair Manual applicable for the model year.

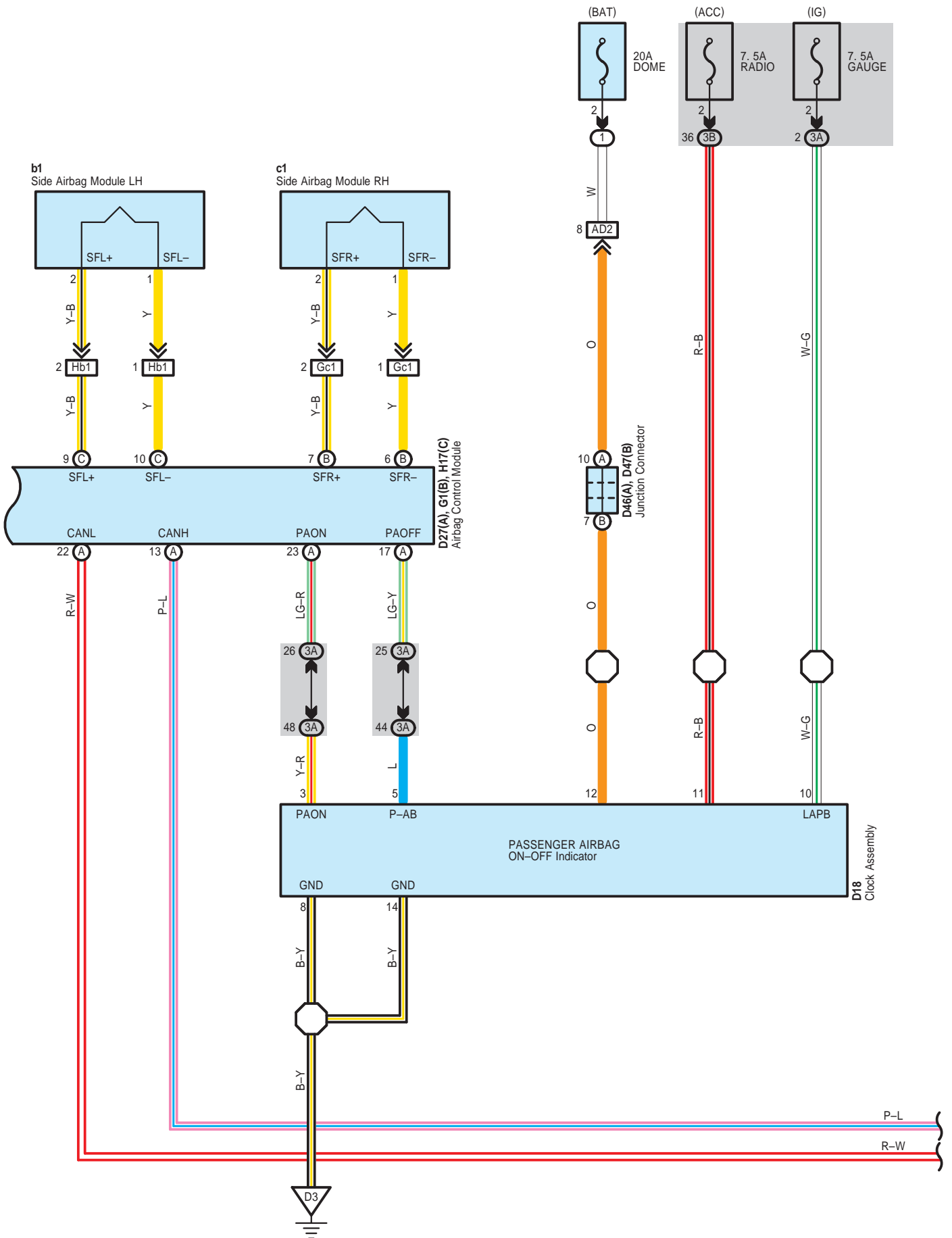
- Malfunction symptoms of the SRS are difficult to confirm, so the DTCs become the most important source of information when troubleshooting. When troubleshooting the SRS, always inspect the DTCs before disconnecting the battery.
- **Work must be started more than 90 seconds after the ignition or starter switch assembly is turned to the "LOCK" position (Ignition switch type) or the engine switch is pushed to the "OFF" position (Engine switch type) and the negative (-) terminal cable is disconnected from the battery.**
(The SRS is equipped with a back-up power source so that if work is started within 90 seconds from disconnecting the negative (-) terminal cable of the battery, the SRS may deploy.)
- When the negative (-) terminal cable is disconnected from the battery, the memory of the clock and audio system will be cleared. So before starting work, make a record of the contents in the audio memory system. When work is finished, reset the audio systems as they were before and adjust the clock. Some vehicles have power tilt steering, power telescopic steering, power seat and power outside rear view mirror which are all equipped with memory function. However, it is not possible to make a record of these memory contents. So when the work is finished, it will be necessary to explain it to your customer, and ask the customer to adjust the features and reset the memory. To avoid erasing the memory in each system, never use a back-up power supply from outside the vehicle.
- Before repair, remove the airbag sensor if shocks are likely to be applied to the sensor during repair.
- Do not expose the following parts directly to hot air or flame;
- Even in cases of a minor collision where the SRS does not deploy, the following parts should be inspected;
- Never use SRS parts from another vehicle. When replacing parts, replace with new parts.
- For the purpose of reuse, never disassemble and repair the following parts.
- If the following parts have been dropped, or have cracks, dents and other defects in their case, bracket, and connector, replace with new one.
- Use a volt/ohmmeter with high impedance (10 k Ω /V minimum) for troubleshooting electrical circuits of the system.
- Information labels are attached to the periphery of the SRS components. Follow the instructions of the notice.
- After work on the SRS is completed, check the SRS warning light.
- If the vehicle is equipped with a mobile communication system, refer to the precaution in the IN section of the Repair Manual.

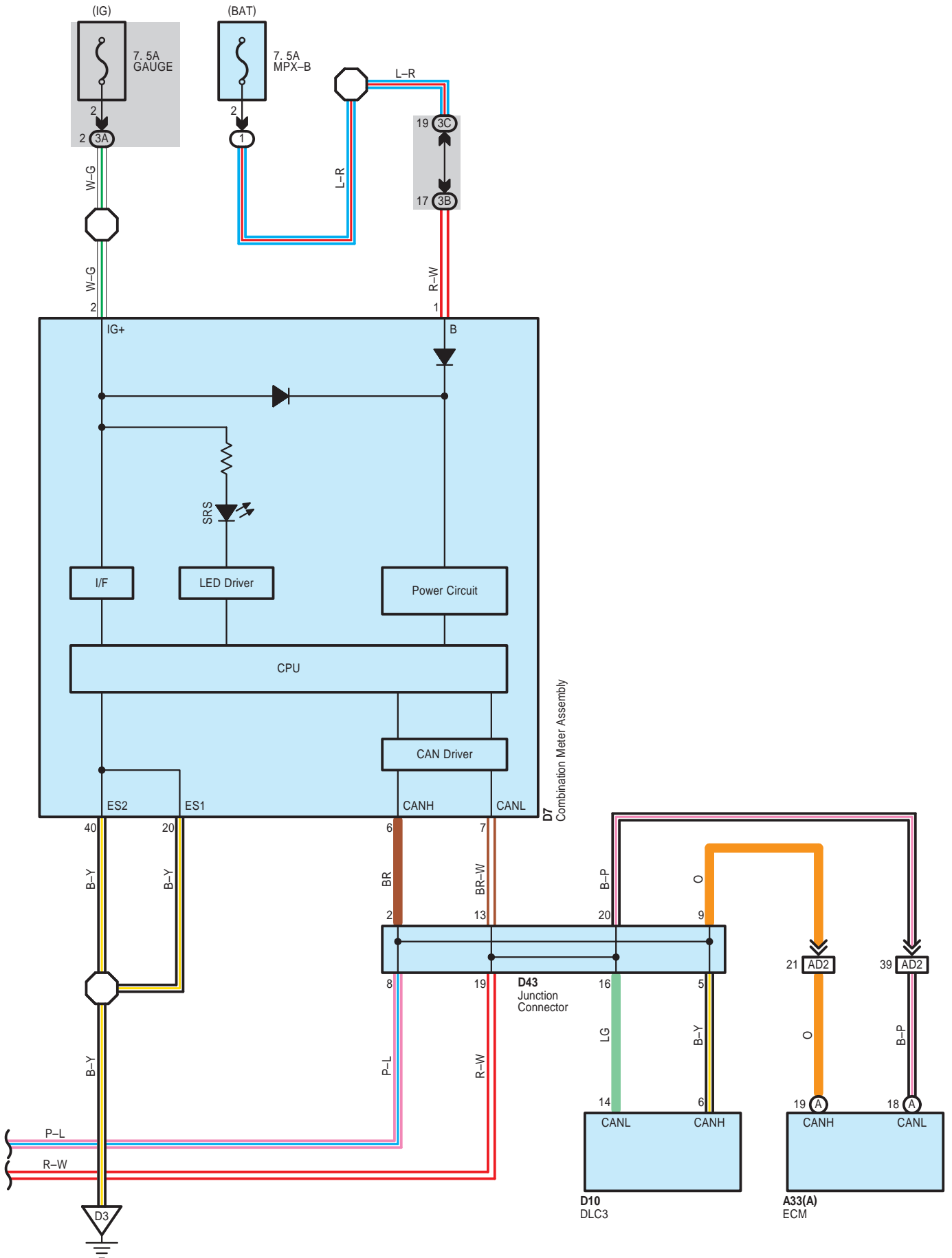
<ul style="list-style-type: none">* Driver's Airbag Module* Passenger's Airbag Module* Side Airbag Module* Curtain Airbag Module* Pretensioner* Airbag Control Module* Front Sub Sensor* Side Airbag Sensor* Curtain Airbag Sensor* Front Door Impact Sensor* Satellite Safing Sensor











○ : Parts Location

Code		See Page	Code		See Page	Code		See Page
A33	A	42	D52	A	41	H23	45	
A51		39	E4		44	H25	45	
A58		39	F2		44	H30	45	
D7		40	G1	B	42	b1	45	
D10		40	G11		44	c1	45	
D18		40	G14		44	e1	45	
D27	A	40	G16		44	e2	45	
D30	A	40	G17		44	z6	B	
D43		41	H16		45	z7	C	
D46	A	41	H17	C	42			
D47	B	41	H22		45			

○ : Relay Blocks

Code	See Page	Relay Blocks (Relay Block Location)
1	24	Engine Room R/B (Engine Compartment Right)

○ : Junction Block and Wire Harness Connector

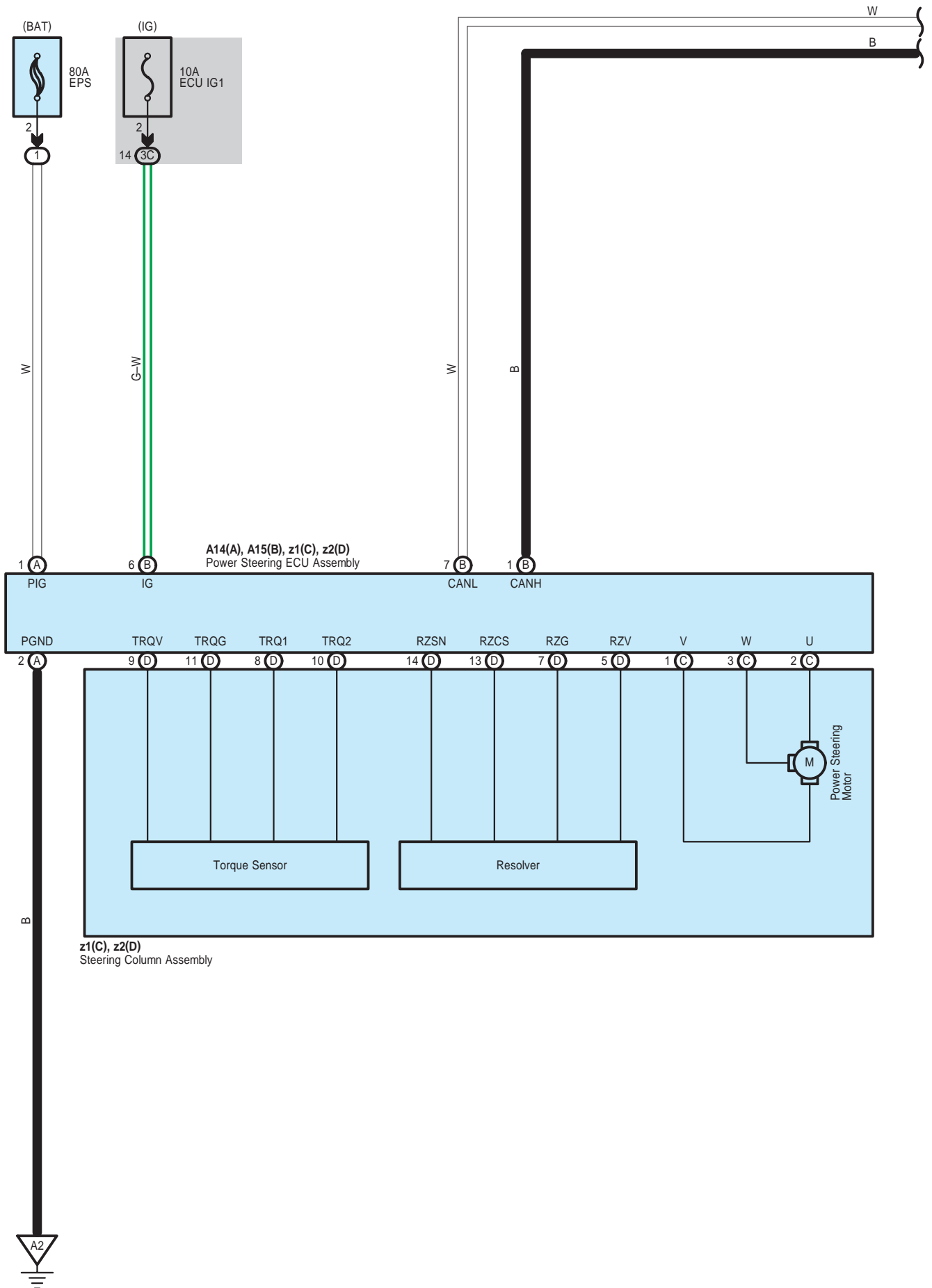
Code	See Page	Junction Block and Wire Harness (Connector Location)
3A	26	Instrument Panel Wire and Instrument Panel J/B Assembly (Instrument Panel Reinforcement)
3B		
3C	26	Engine Room Main Wire and Instrument Panel J/B Assembly (Instrument Panel Reinforcement)

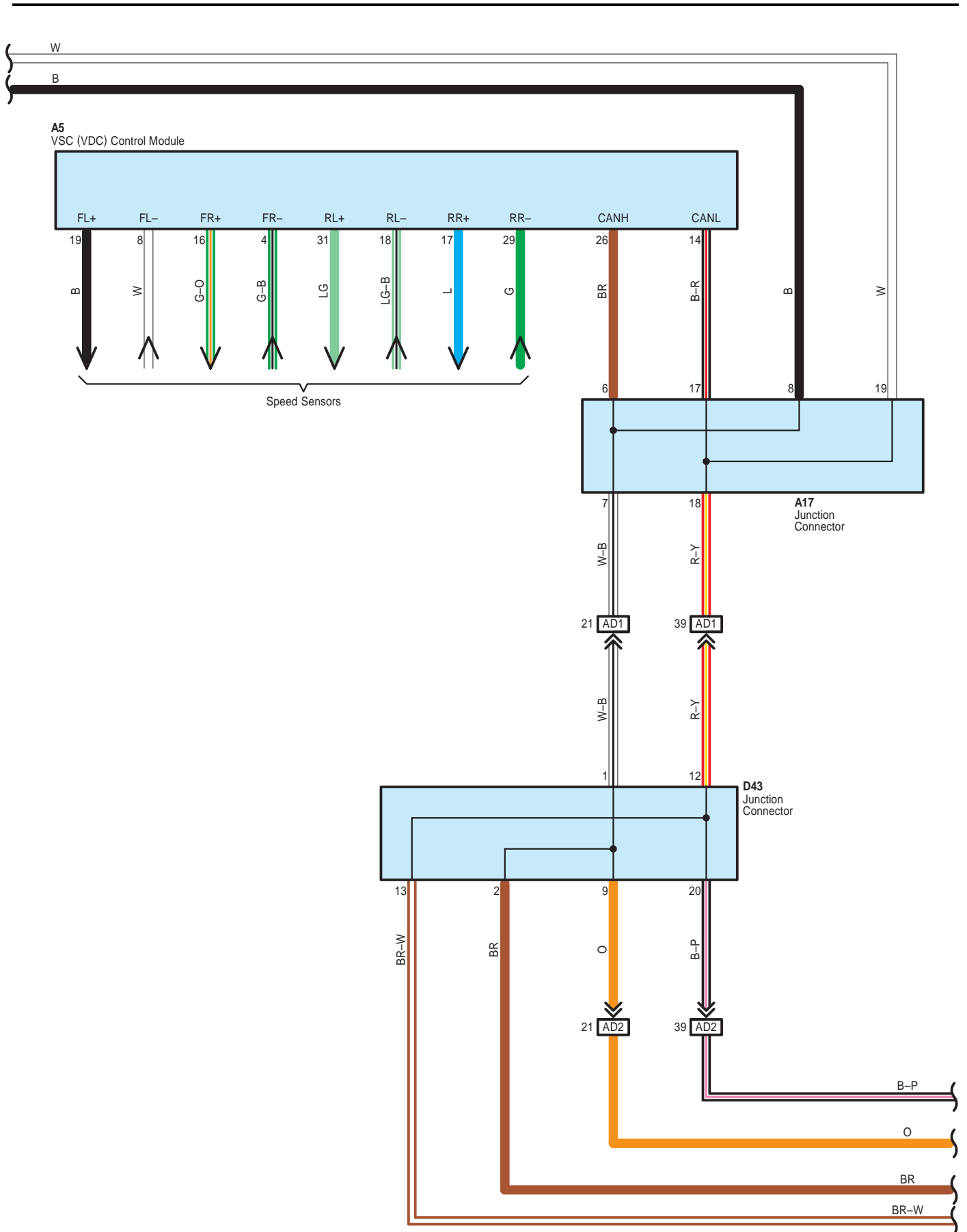
□ : Connector Joining Wire Harness and Wire Harness

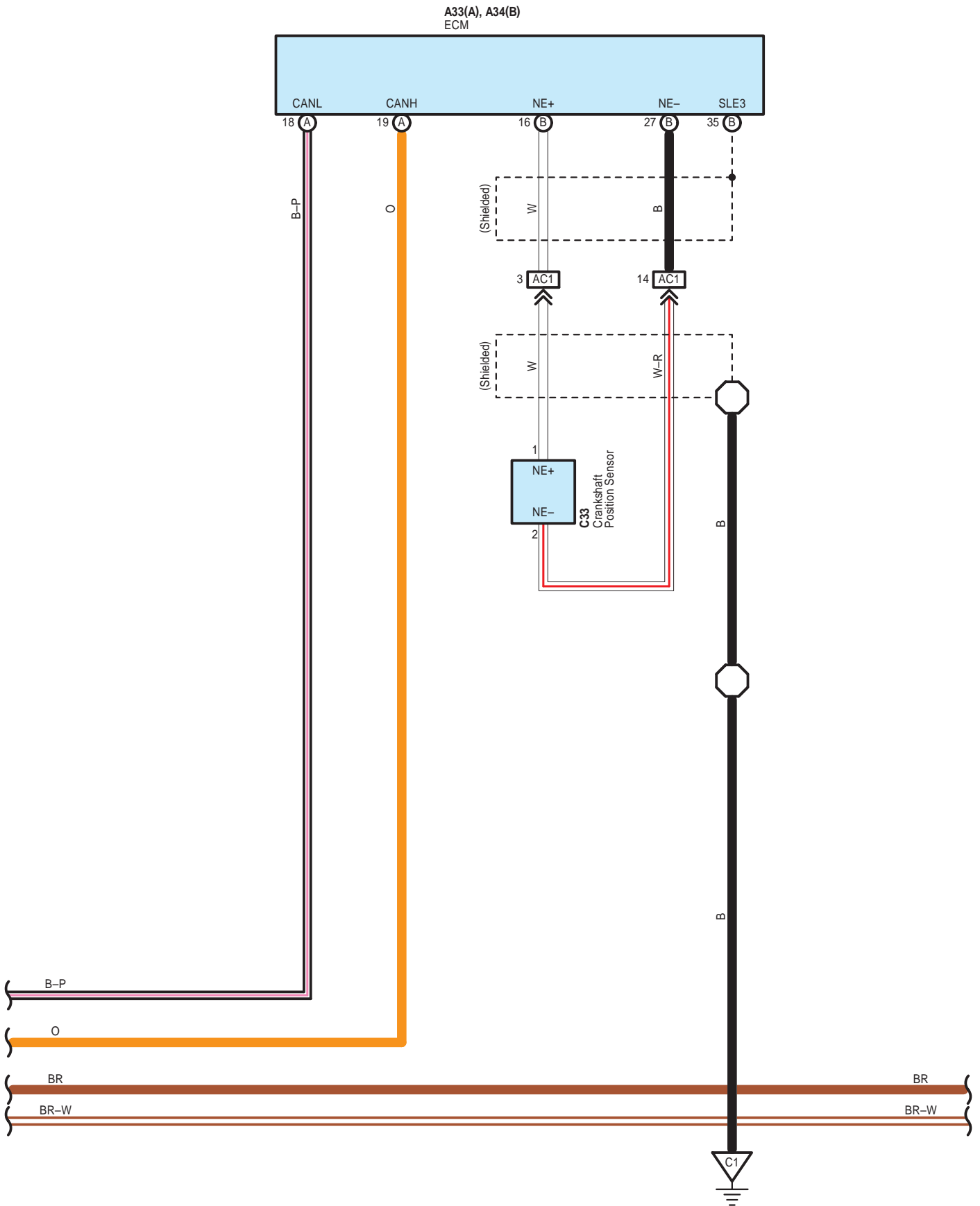
Code	See Page	Joining Wire Harness and Wire Harness (Connector Location)
AD2	47	Engine Room Main Wire and Instrument Panel Wire (Cowl Side Panel RH)
DA3	47	Instrument Panel Wire and Engine Room Main Wire (Behind Glove Box)
EH1	47	Front Door Wire LH and No. 2 Floor Wire (Cowl Side Panel LH)
FG1	47	Front Door Wire RH and No. 1 Floor Wire (Cowl Side Panel RH)
GD1	47	No. 1 Floor Wire and Instrument Panel Wire (Cowl Side Panel RH)
Gc1	48	No. 1 Floor Wire and Seat Wire RH (Under Front Seat Cushion RH)
Ge1	48	No. 1 Floor Wire and Occupant Detection Sensor Wire (Under Front Seat Cushion RH)
Hb1	48	No. 2 Floor Wire and Seat Wire LH (Under Front Seat Cushion LH)

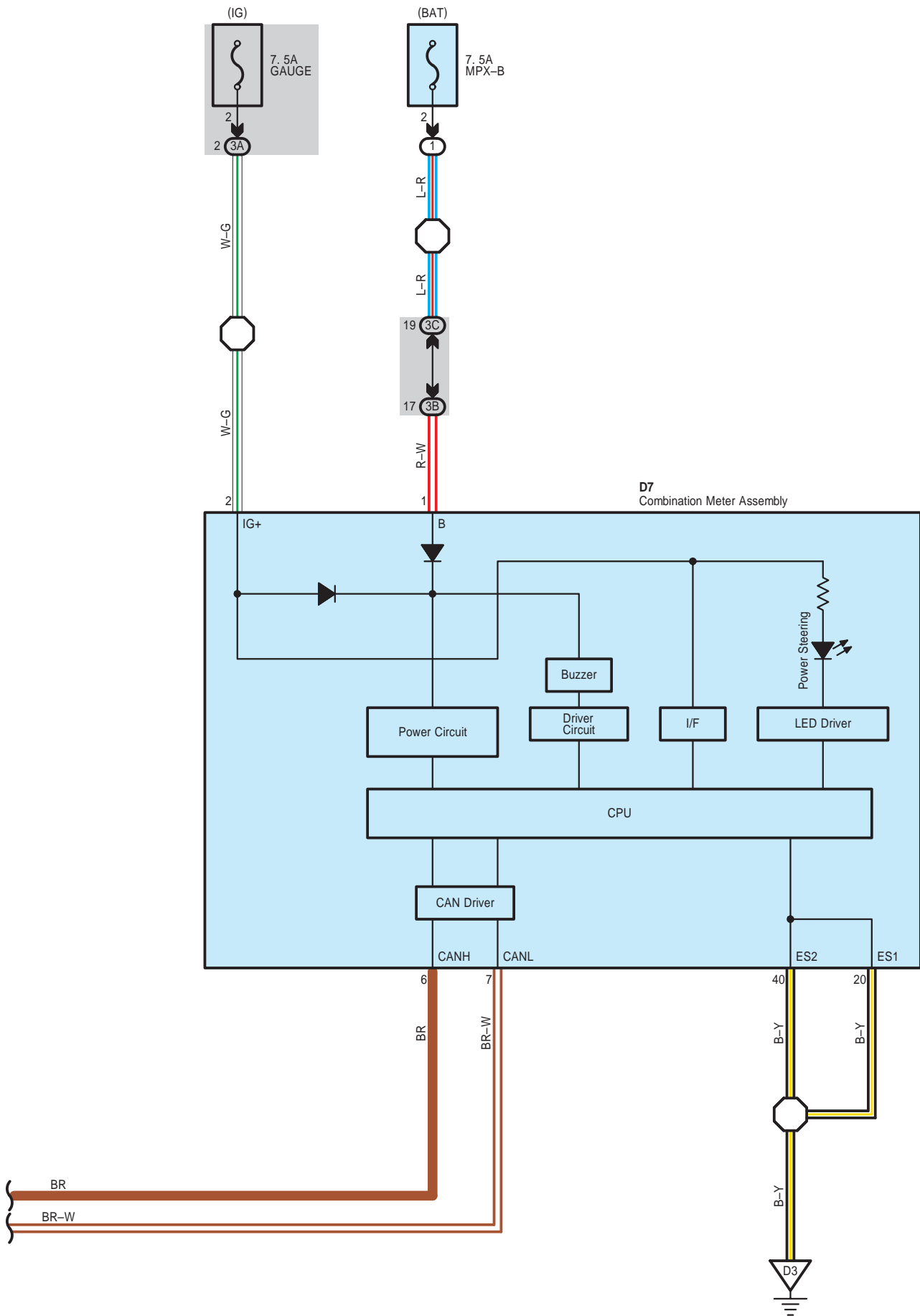
▽ : Ground Points

Code	See Page	Ground Points Location
D3	47	Instrument Panel Brace RH
D4	47	Cowl Side Panel RH









EPS

○ : Parts Location

Code		See Page	Code		See Page	Code		See Page
A5		39	A33	A	42	D43		41
A14	A	42	A34	B	42	z1	C	42
A15	B	42	C33		38	z2	D	42
A17		42	D7		40			

○ : Relay Blocks

Code	See Page	Relay Blocks (Relay Block Location)
1	24	Engine Room R/B (Engine Compartment Right)

○ : Junction Block and Wire Harness Connector

Code	See Page	Junction Block and Wire Harness (Connector Location)
3A	26	Instrument Panel Wire and Instrument Panel J/B Assembly (Instrument Panel Reinforcement)
3B		
3C	26	Engine Room Main Wire and Instrument Panel J/B Assembly (Instrument Panel Reinforcement)

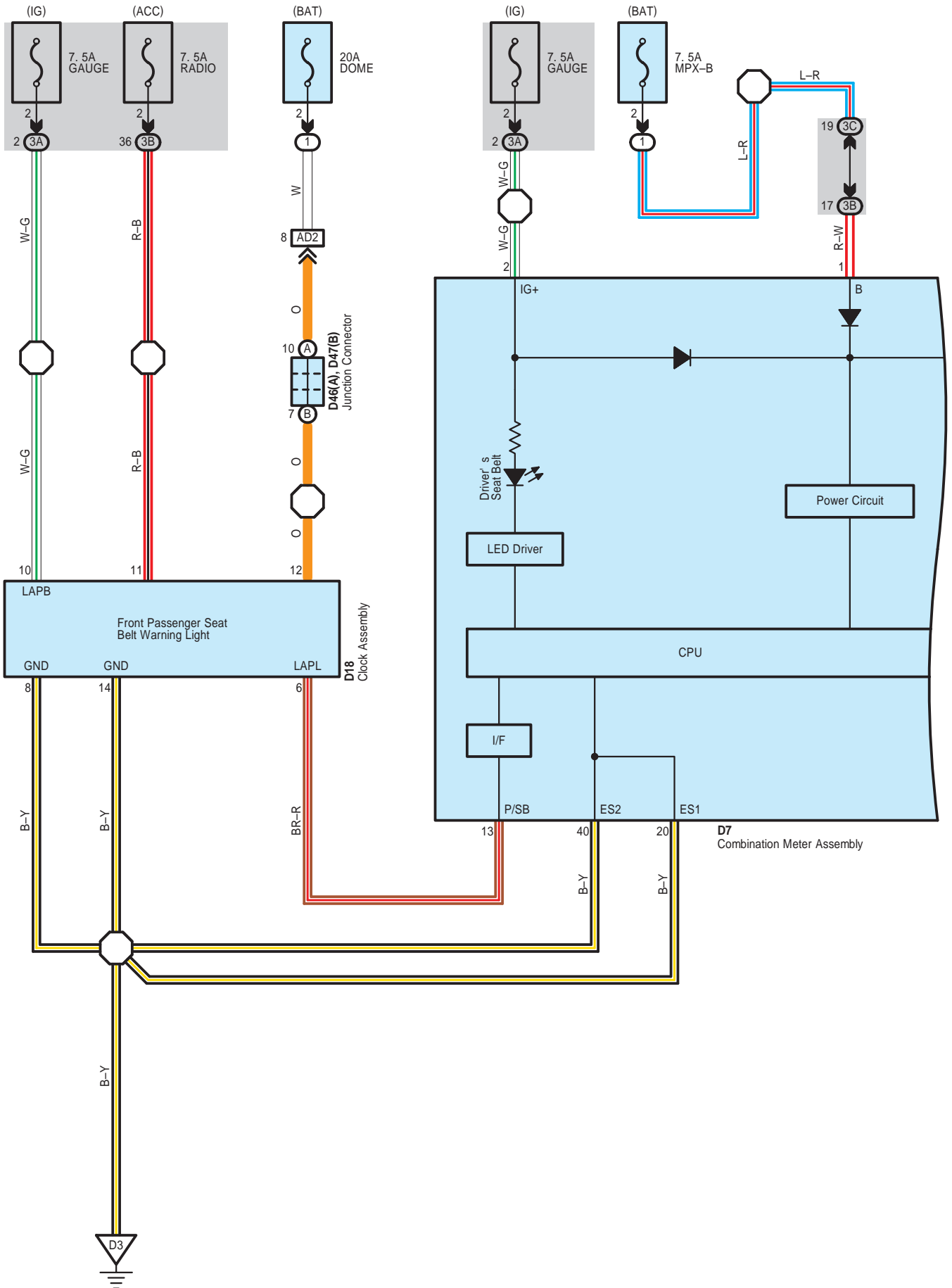
□ : Connector Joining Wire Harness and Wire Harness

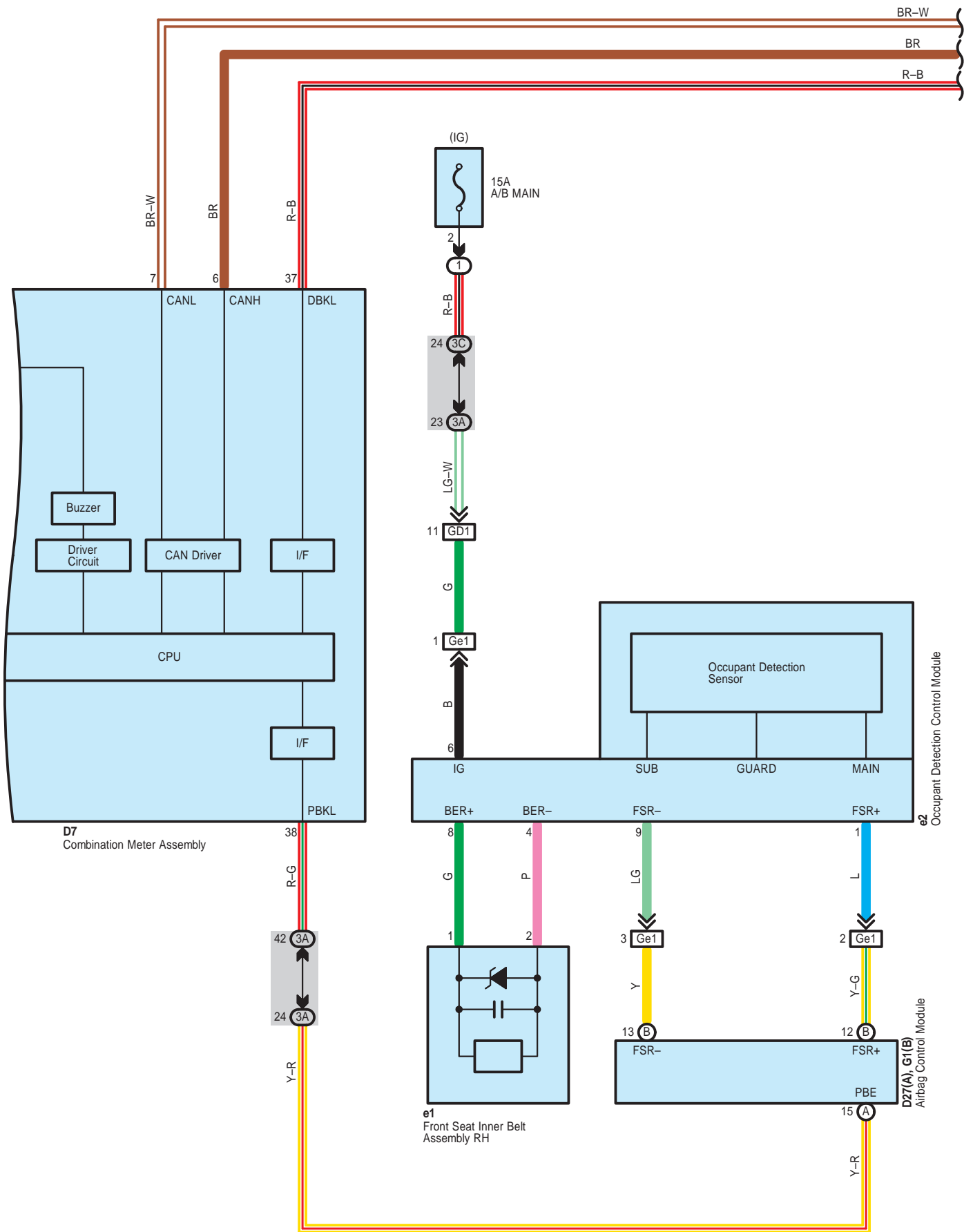
Code	See Page	Joining Wire Harness and Wire Harness (Connector Location)
AC1	46	Engine Room Main Wire and Engine Wire (Engine Unit)
AD1	47	Engine Room Main Wire and Instrument Panel Wire (Cowl Side Panel LH)
AD2	47	Engine Room Main Wire and Instrument Panel Wire (Cowl Side Panel RH)

▽ : Ground Points

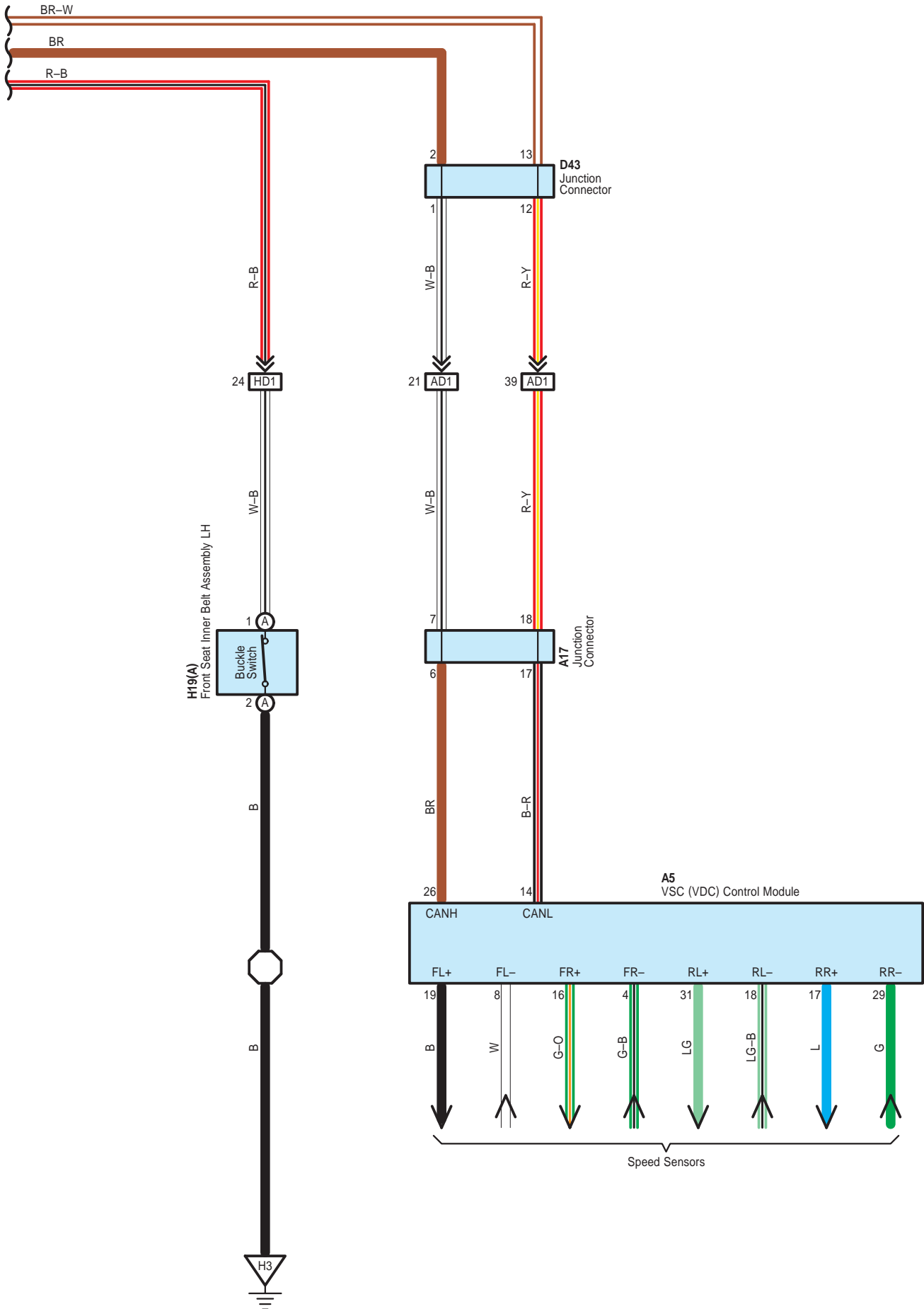
Code	See Page	Ground Points Location
A2	47	Cowl Side Panel LH
C1	46	Engine Unit
D3	47	Instrument Panel Brace RH

Seat Belt Warning





Seat Belt Warning



○ : Parts Location

Code	See Page	Code	See Page	Code	See Page		
A5	39	D27	A	40	G1	B	42
A17	42	D43		41	H19	A	45
D7	40	D46	A	41	e1		45
D18	40	D47	B	41	e2		45

○ : Relay Blocks

Code	See Page	Relay Blocks (Relay Block Location)
1	24	Engine Room R/B (Engine Compartment Right)

○ : Junction Block and Wire Harness Connector

Code	See Page	Junction Block and Wire Harness (Connector Location)
3A	26	Instrument Panel Wire and Instrument Panel J/B Assembly (Instrument Panel Reinforcement)
3B		
3C	26	Engine Room Main Wire and Instrument Panel J/B Assembly (Instrument Panel Reinforcement)

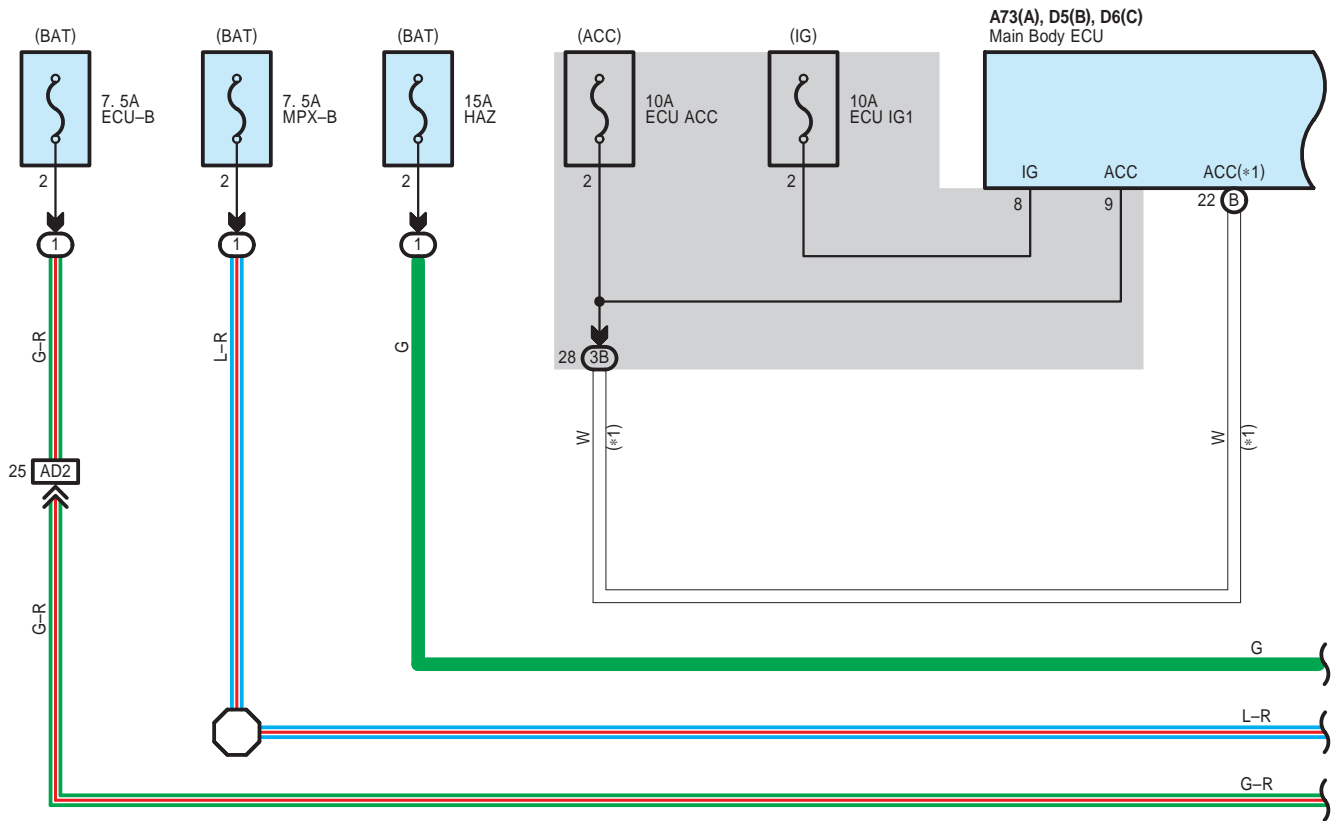
□ : Connector Joining Wire Harness and Wire Harness

Code	See Page	Joining Wire Harness and Wire Harness (Connector Location)
AD1	47	Engine Room Main Wire and Instrument Panel Wire (Cowl Side Panel LH)
AD2	47	Engine Room Main Wire and Instrument Panel Wire (Cowl Side Panel RH)
GD1	47	No. 1 Floor Wire and Instrument Panel Wire (Cowl Side Panel RH)
Ge1	48	No. 1 Floor Wire and Occupant Detection Sensor Wire (Under Front Seat Cushion RH)
HD1	47	No. 2 Floor Wire and Instrument Panel Wire (Cowl Side Panel LH)

▽ : Ground Points

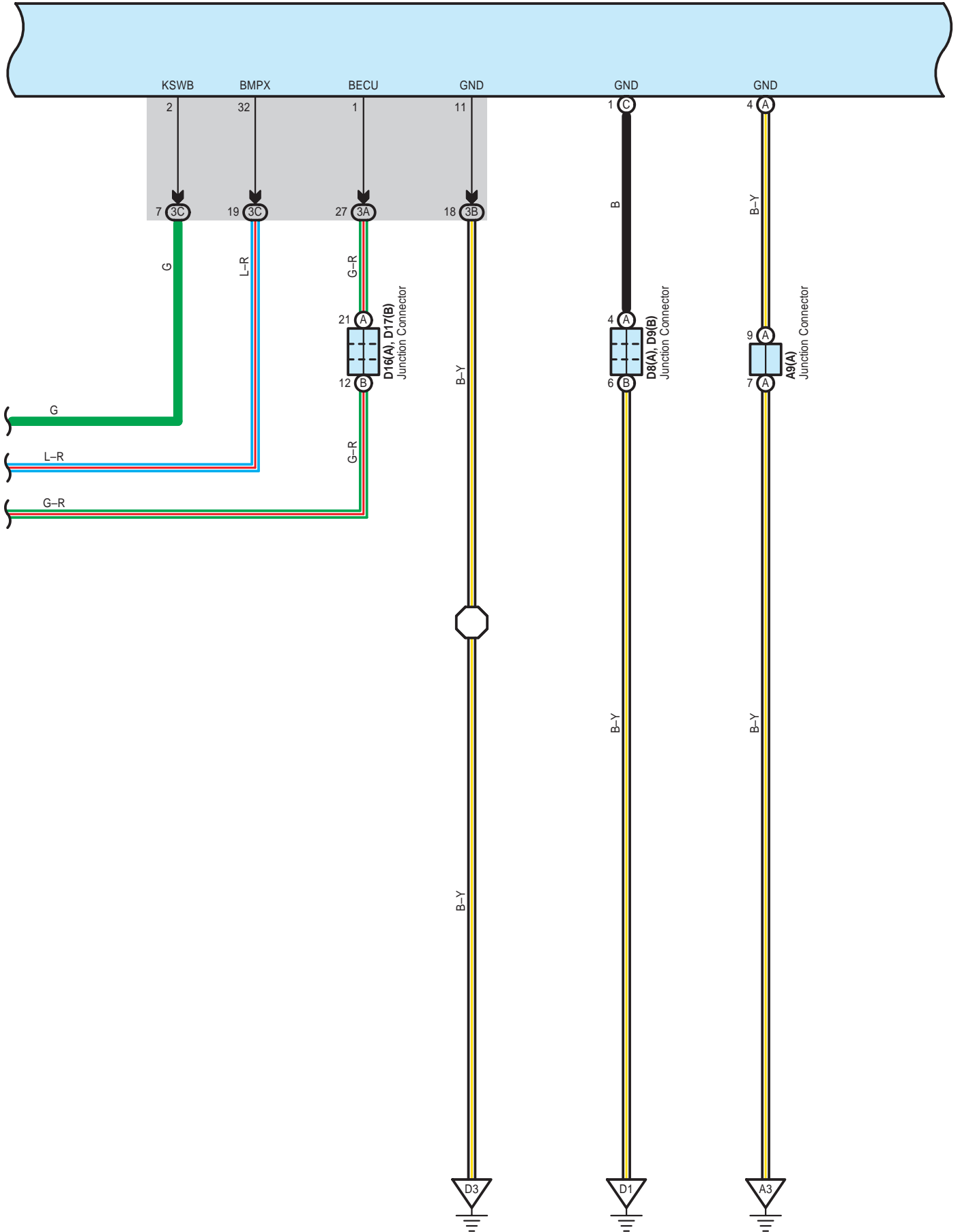
Code	See Page	Ground Points Location
D3	47	Instrument Panel Brace RH
H3	48	Quarter Wheel House Panel LH

Tire Pressure Warning System



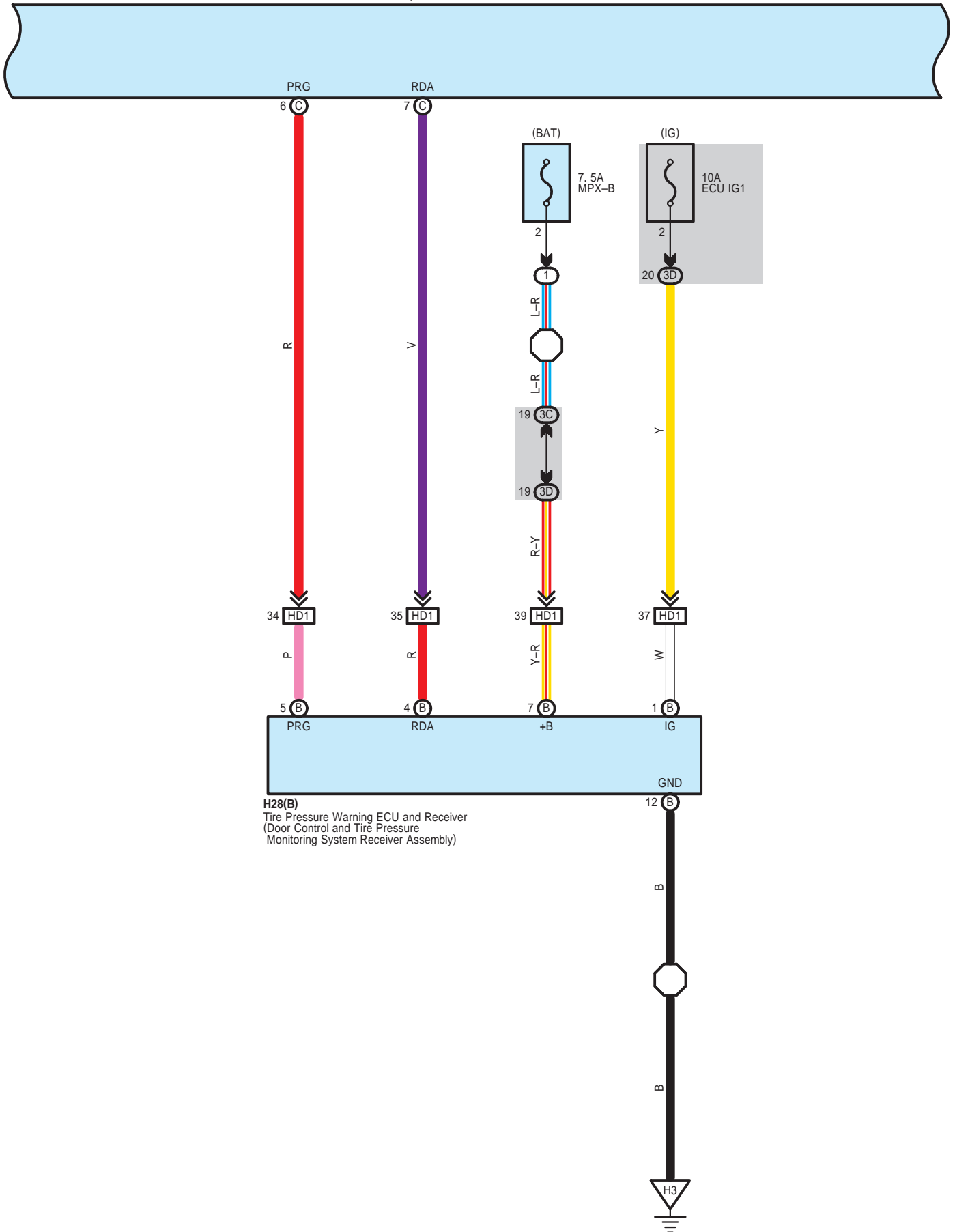
* 1 : w/ Smart Entry & Start System

A73(A), D5(B), D6(C)
Main Body ECU

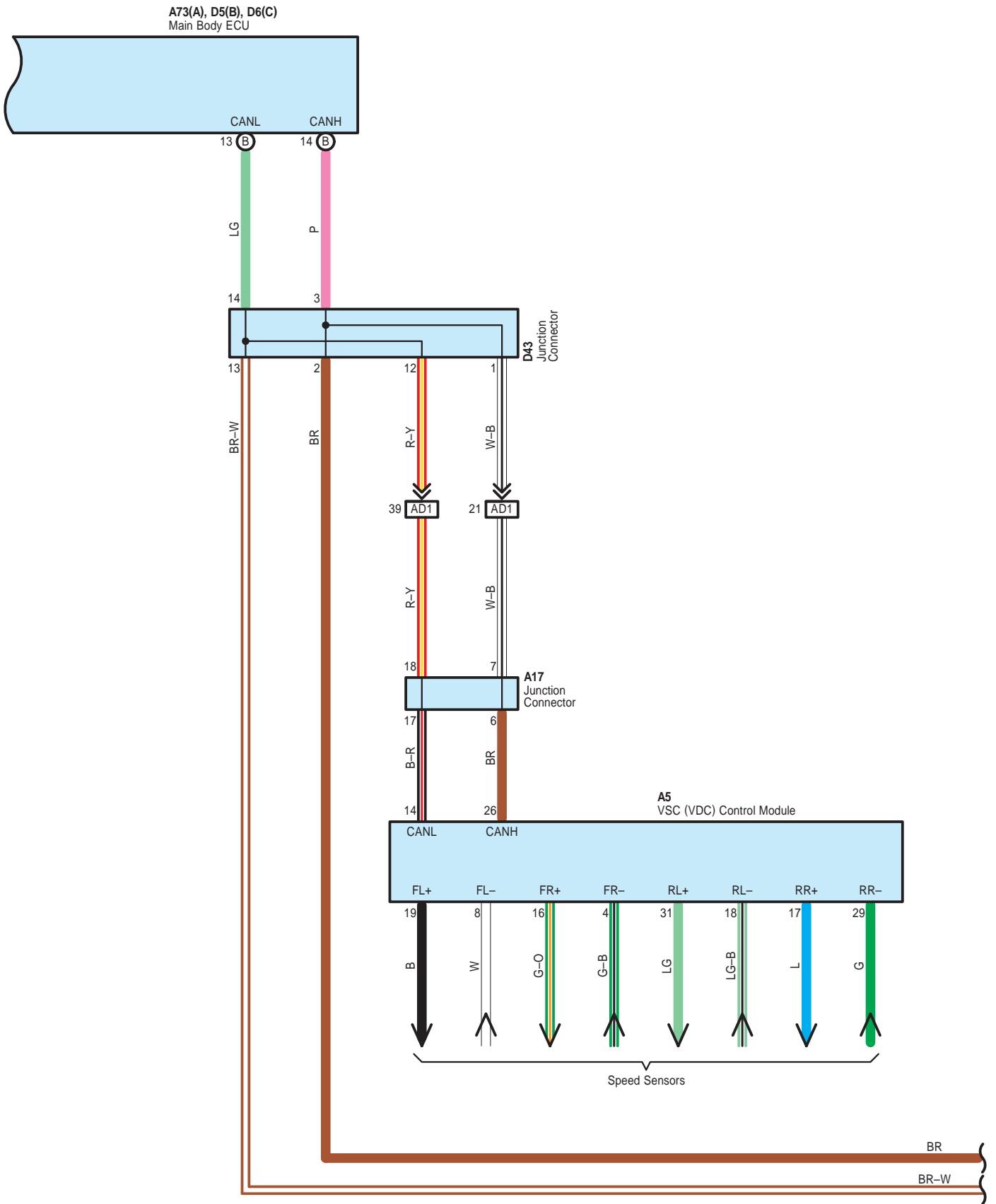


Tire Pressure Warning System

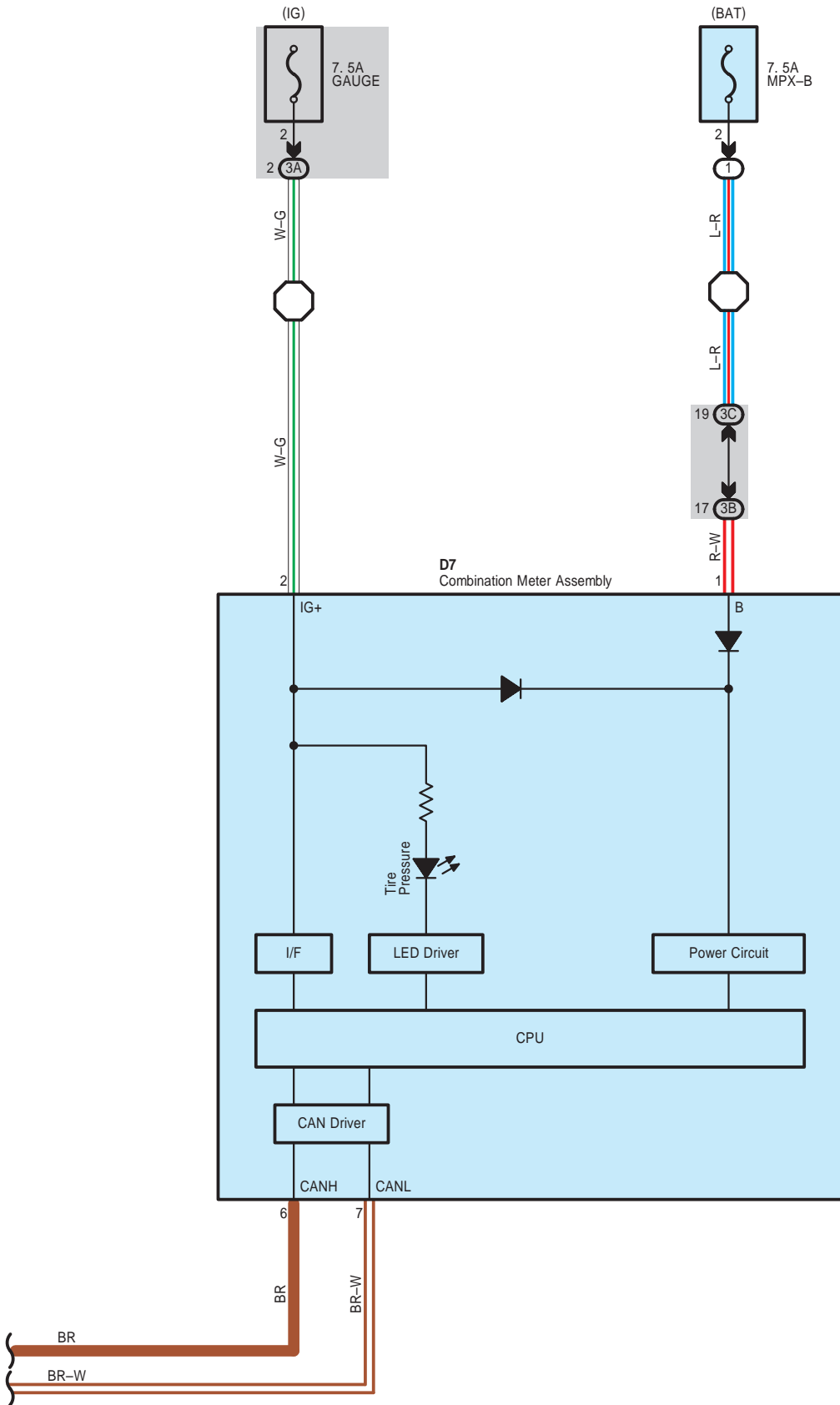
A73(A), D5(B), D6(C)
Main Body ECU



H28(B)
Tire Pressure Warning ECU and Receiver
(Door Control and Tire Pressure
Monitoring System Receiver Assembly)



Tire Pressure Warning System



○ : Parts Location

Code		See Page	Code		See Page	Code		See Page
A5		39	D6	C	40	D17	B	40
A9	A	42	D7		40	D43		41
A17		42	D8	A	40	H28	B	45
A73	A	42	D9	B	40			
D5	B	40	D16	A	40			

○ : Relay Blocks

Code	See Page	Relay Blocks (Relay Block Location)
1	24	Engine Room R/B (Engine Compartment Right)

○ : Junction Block and Wire Harness Connector

Code	See Page	Junction Block and Wire Harness (Connector Location)
3A	26	Instrument Panel Wire and Instrument Panel J/B Assembly (Instrument Panel Reinforcement)
3B		
3C	26	Engine Room Main Wire and Instrument Panel J/B Assembly (Instrument Panel Reinforcement)
3D	26	Instrument Panel Wire and Instrument Panel J/B Assembly (Instrument Panel Reinforcement)

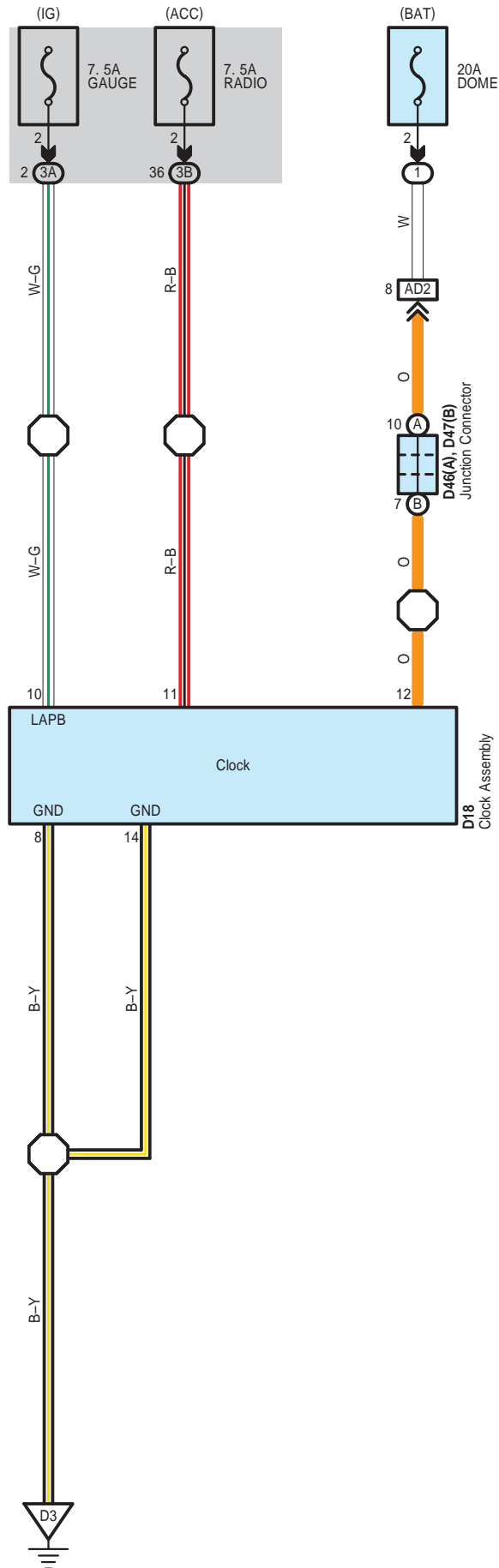
□ : Connector Joining Wire Harness and Wire Harness

Code	See Page	Joining Wire Harness and Wire Harness (Connector Location)
AD1	47	Engine Room Main Wire and Instrument Panel Wire (Cowl Side Panel LH)
AD2	47	Engine Room Main Wire and Instrument Panel Wire (Cowl Side Panel RH)
HD1	47	No. 2 Floor Wire and Instrument Panel Wire (Cowl Side Panel LH)

▽ : Ground Points

Code	See Page	Ground Points Location
A3	47	Cowl Side Panel RH
D1	47	Cowl Side Panel LH
D3	47	Instrument Panel Brace RH
H3	48	Quarter Wheel House Panel LH

Clock



○ : Parts Location

Code	See Page	Code	See Page	Code	See Page
D18	40	D46	A 41	D47	B 41

○ : Relay Blocks

Code	See Page	Relay Blocks (Relay Block Location)
1	24	Engine Room R/B (Engine Compartment Right)

○ : Junction Block and Wire Harness Connector

Code	See Page	Junction Block and Wire Harness (Connector Location)
3A	26	Instrument Panel Wire and Instrument Panel J/B Assembly (Instrument Panel Reinforcement)
3B		

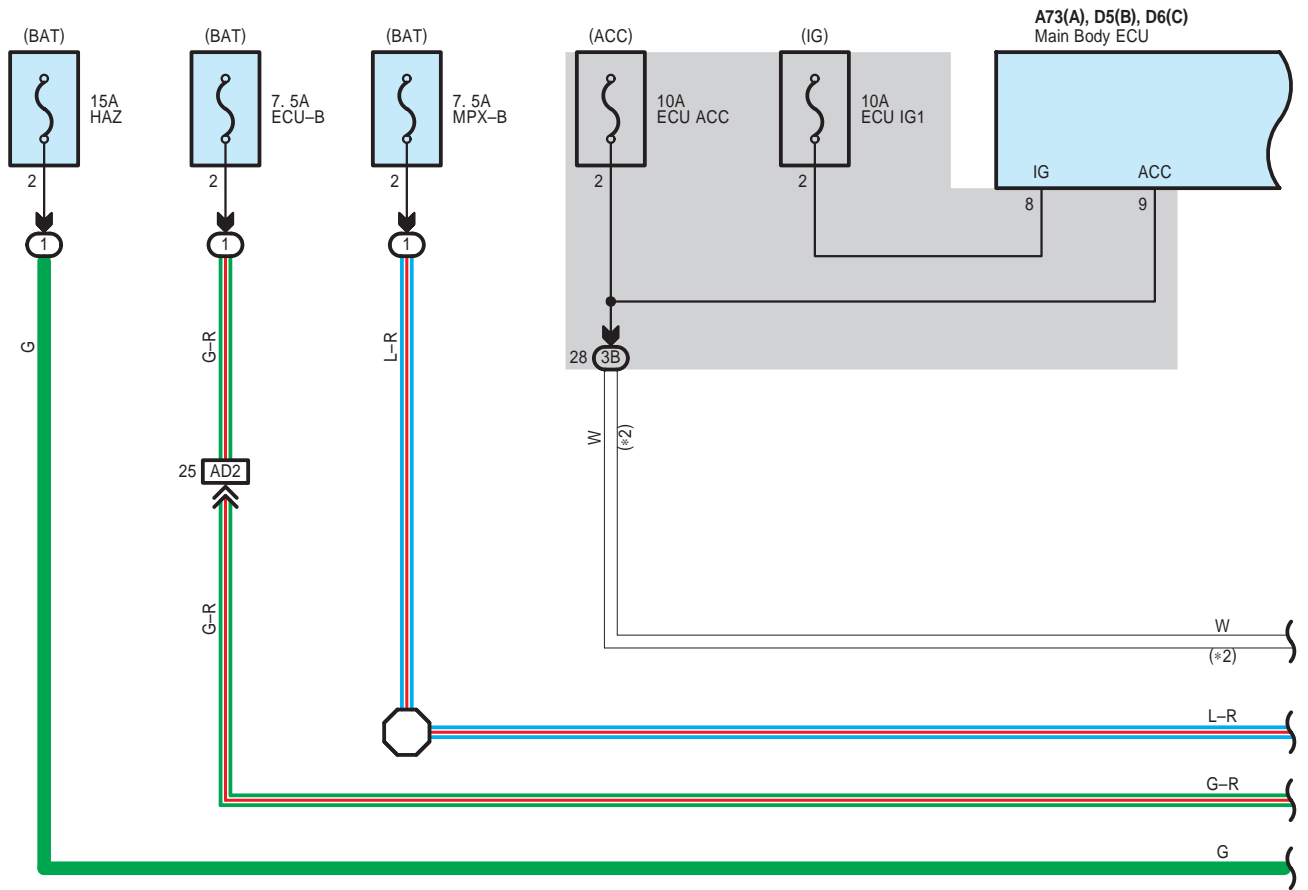
□ : Connector Joining Wire Harness and Wire Harness

Code	See Page	Joining Wire Harness and Wire Harness (Connector Location)
AD2	47	Engine Room Main Wire and Instrument Panel Wire (Cowl Side Panel RH)

▽ : Ground Points

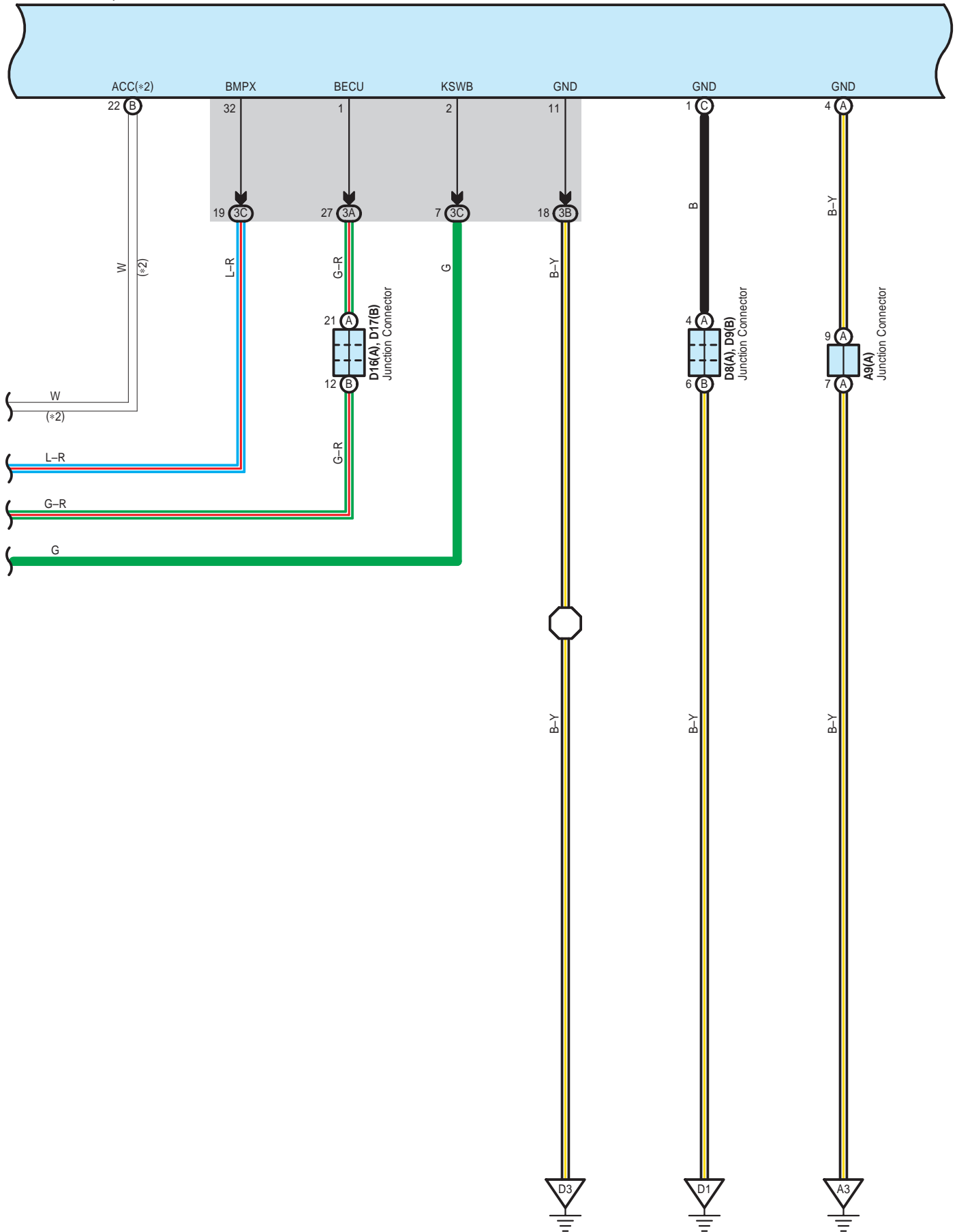
Code	See Page	Ground Points Location
D3	47	Instrument Panel Brace RH

Power Window

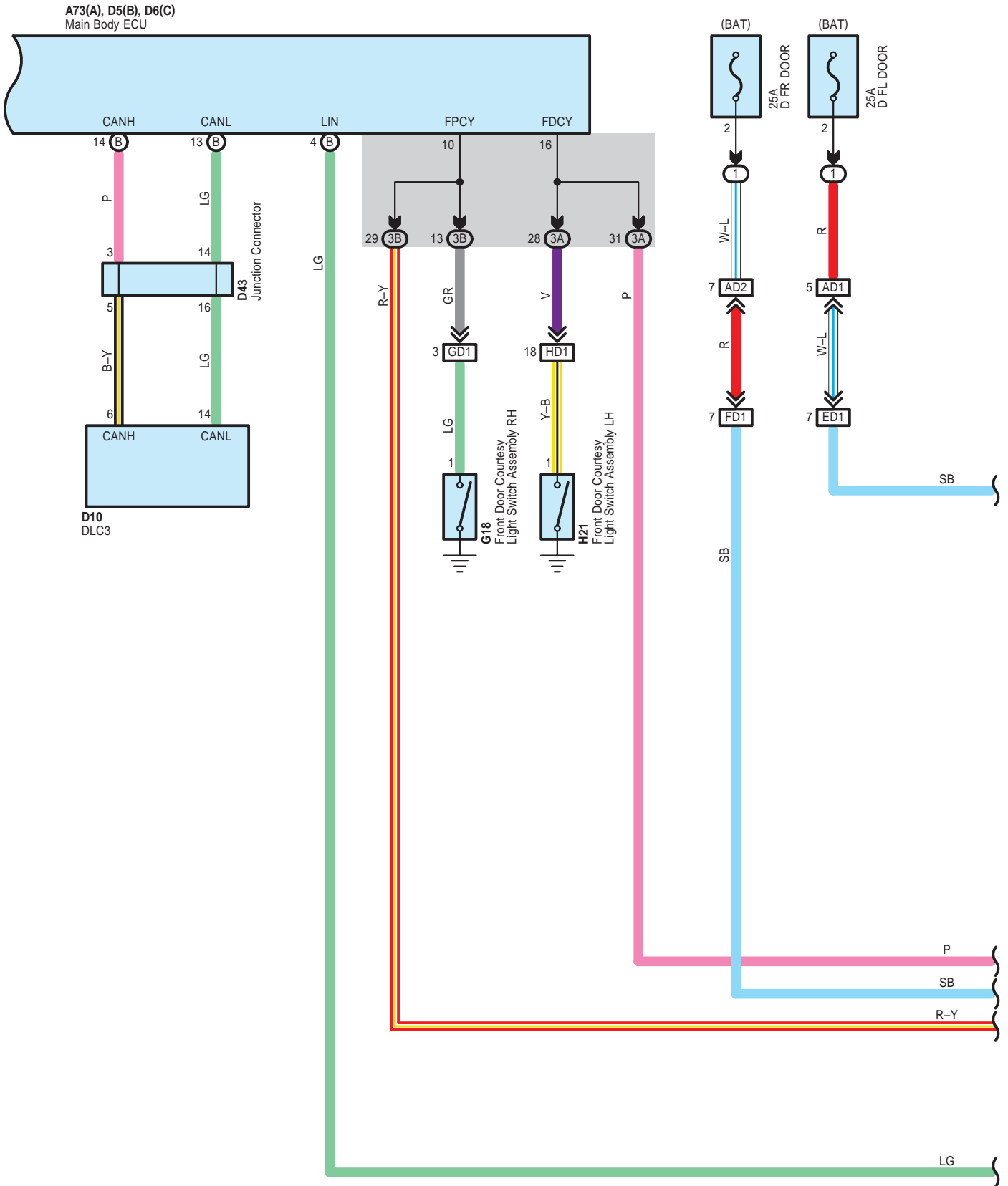


* 2 : w/ Smart Entry & Start System

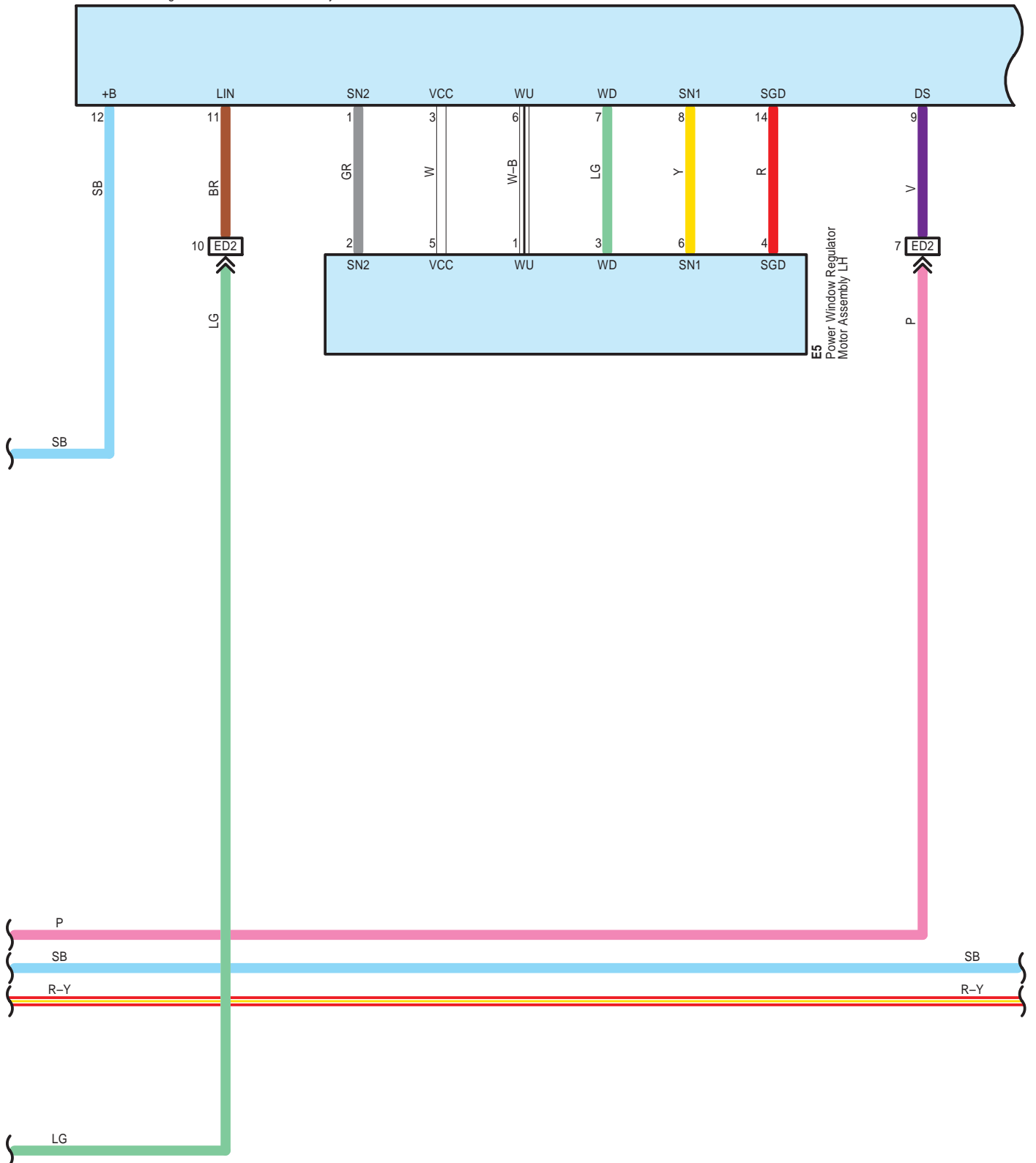
A73(A), D5(B), D6(C)
Main Body ECU



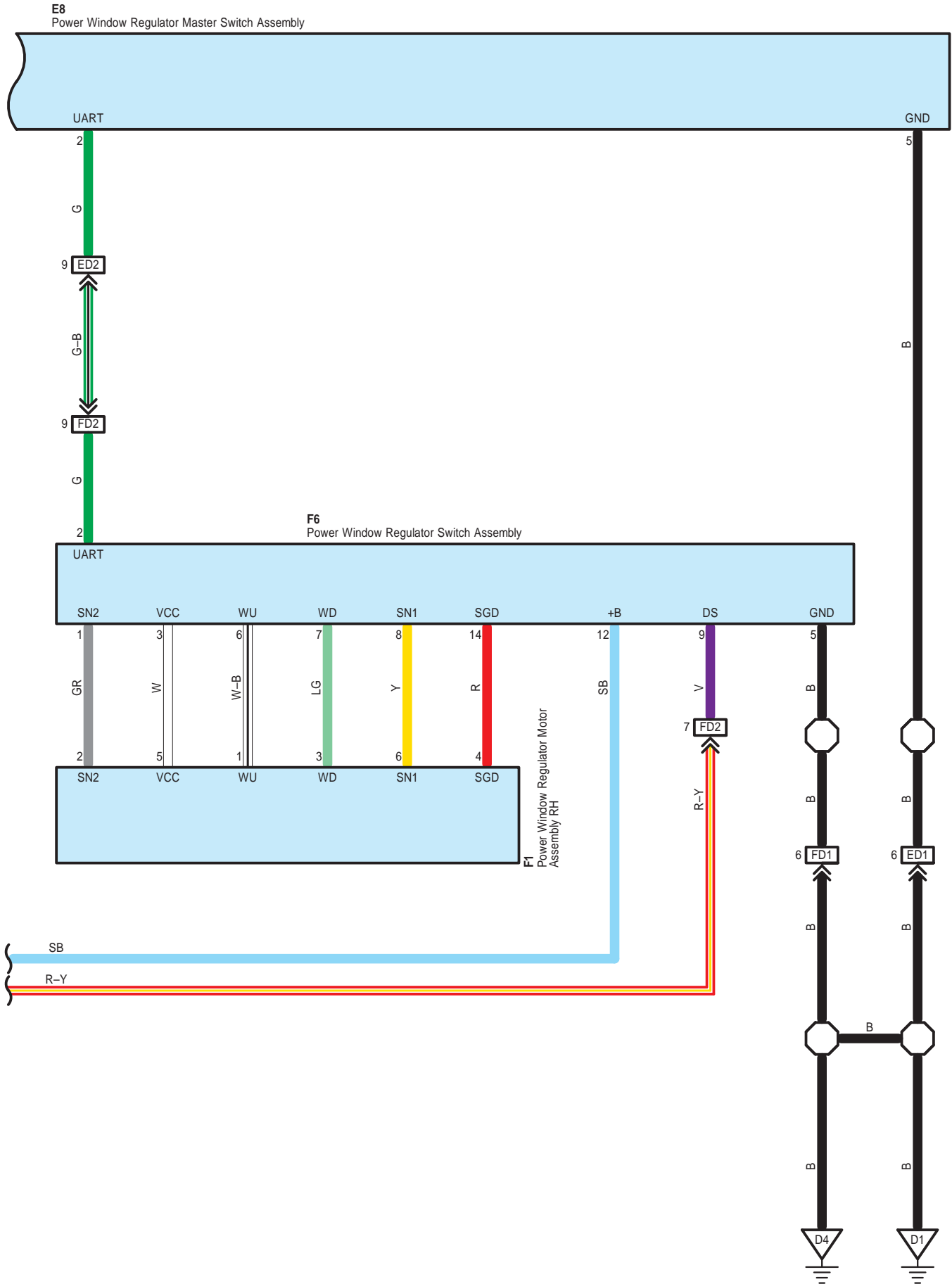
Power Window



E8
Power Window Regulator Master Switch Assembly



Power Window



○ : Parts Location

Code			See Page			Code			See Page			Code			See Page		
A9	A	42				D10	40			F1	44						
A73	A	42				D16	A	40			F6	44					
D5	B	40				D17	B	40			G18	44					
D6	C	40				D43	41			H21	45						
D8	A	40				E5	44										
D9	B	40				E8	44										

○ : Relay Blocks

Code	See Page	Relay Blocks (Relay Block Location)
1	24	Engine Room R/B (Engine Compartment Right)

○ : Junction Block and Wire Harness Connector

Code	See Page	Junction Block and Wire Harness (Connector Location)
3A	26	Instrument Panel Wire and Instrument Panel J/B Assembly (Instrument Panel Reinforcement)
3B		
3C	26	Engine Room Main Wire and Instrument Panel J/B Assembly (Instrument Panel Reinforcement)

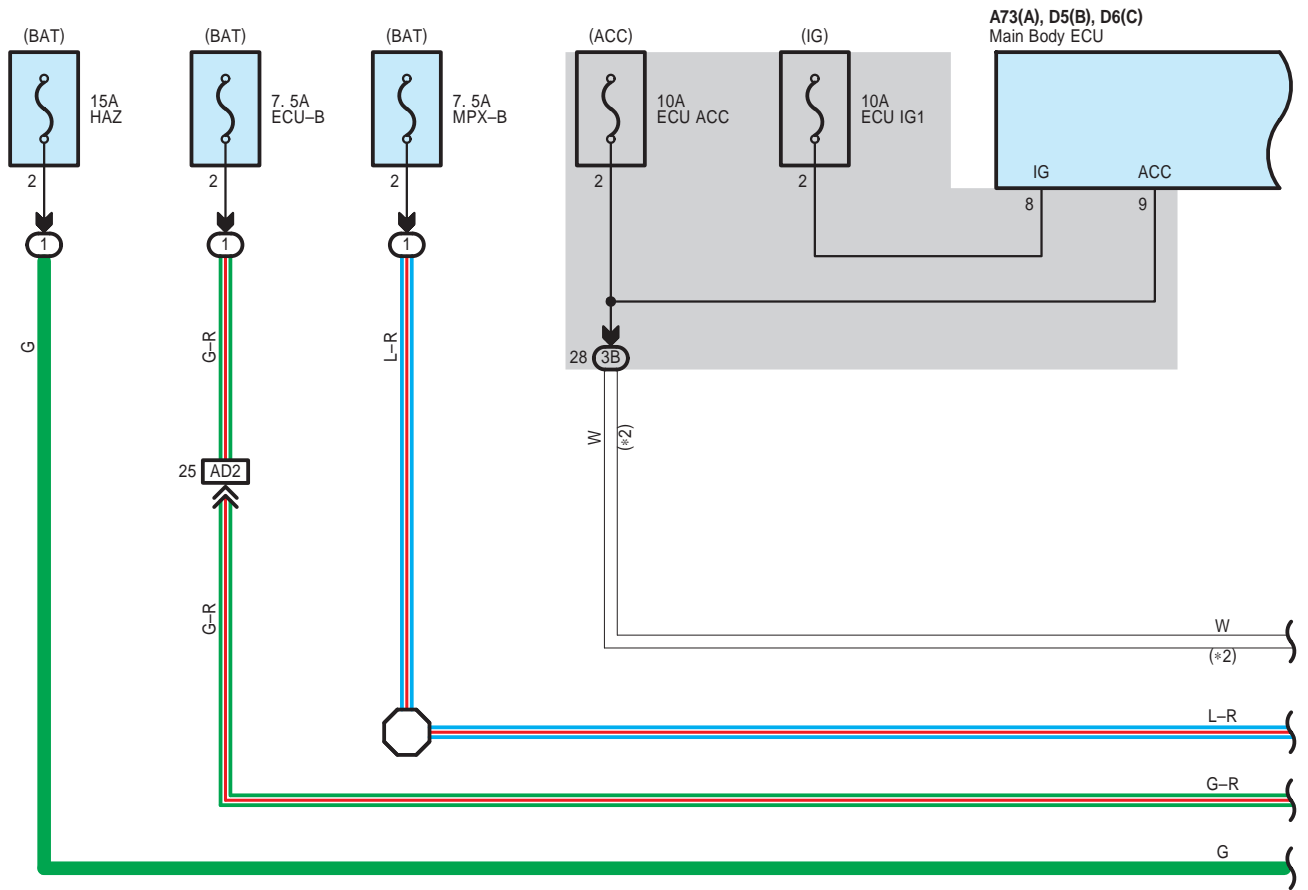
□ : Connector Joining Wire Harness and Wire Harness

Code	See Page	Joining Wire Harness and Wire Harness (Connector Location)
AD1	47	Engine Room Main Wire and Instrument Panel Wire (Cowl Side Panel LH)
AD2	47	Engine Room Main Wire and Instrument Panel Wire (Cowl Side Panel RH)
ED1	47	Front Door Wire LH and Instrument Panel Wire (Cowl Side Panel LH)
ED2		
FD1	47	Front Door Wire RH and Instrument Panel Wire (Cowl Side Panel RH)
FD2		
GD1	47	No. 1 Floor Wire and Instrument Panel Wire (Cowl Side Panel RH)
HD1	47	No. 2 Floor Wire and Instrument Panel Wire (Cowl Side Panel LH)

▽ : Ground Points

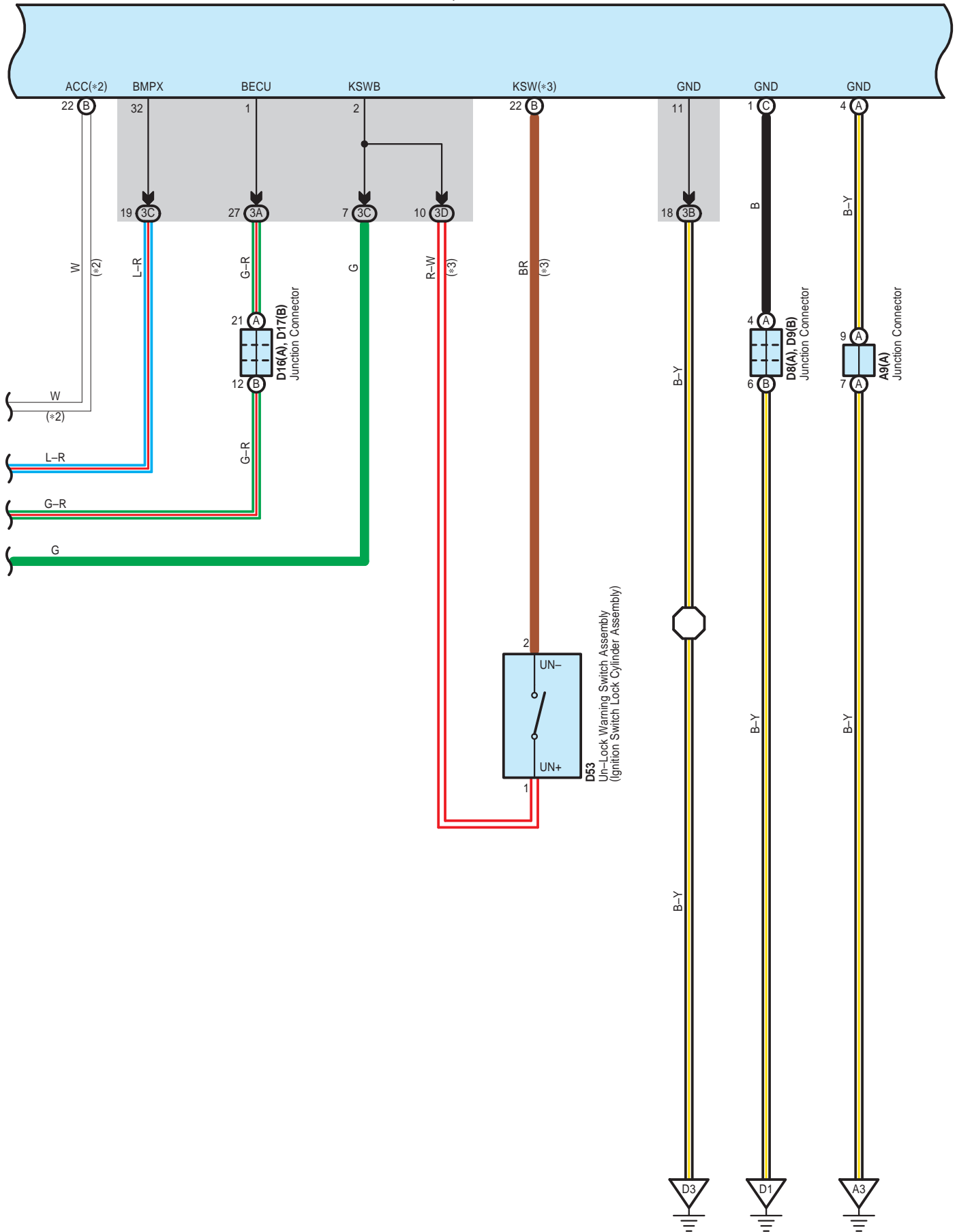
Code	See Page	Ground Points Location
A3	47	Cowl Side Panel RH
D1	47	Cowl Side Panel LH
D3	47	Instrument Panel Brace RH
D4	47	Cowl Side Panel RH

Door Lock Control



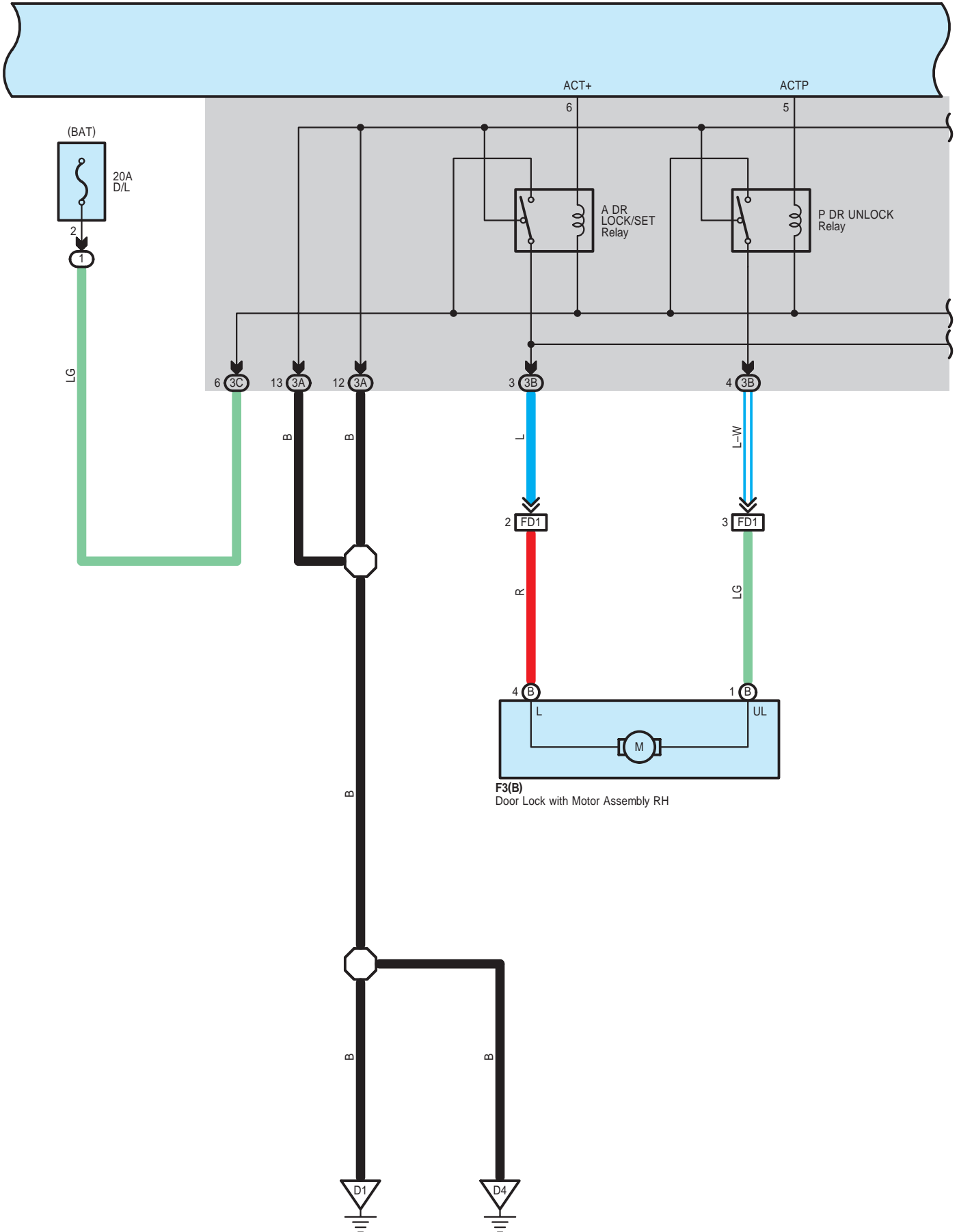
* 2 : w/ Smart Entry & Start System
 * 3 : w/o Smart Entry & Start System

A73(A), D5(B), D6(C)
Main Body ECU

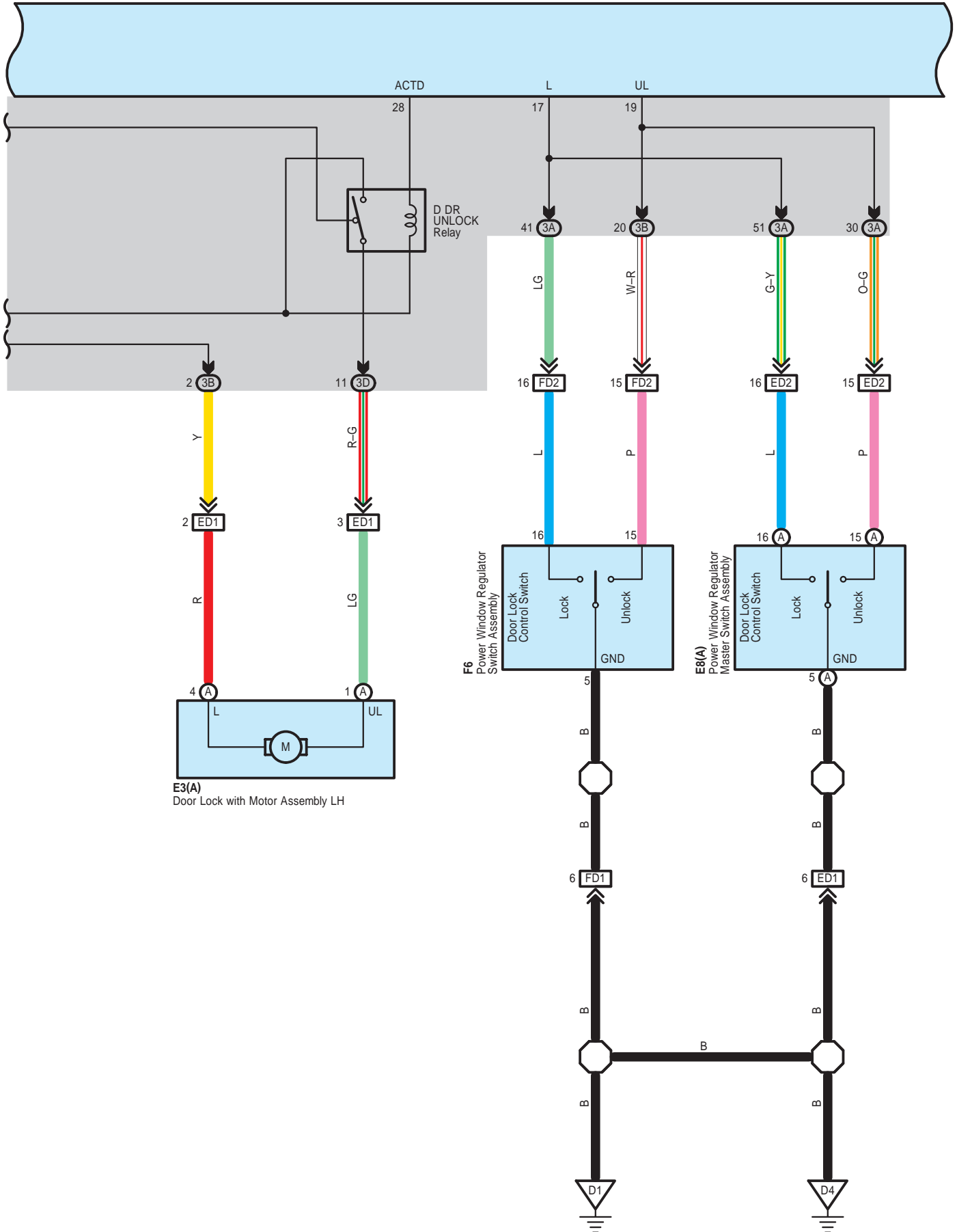


Door Lock Control

A73(A), D5(B), D6(C)
Main Body ECU



A73(A), D5(B), D6(C)
Main Body ECU

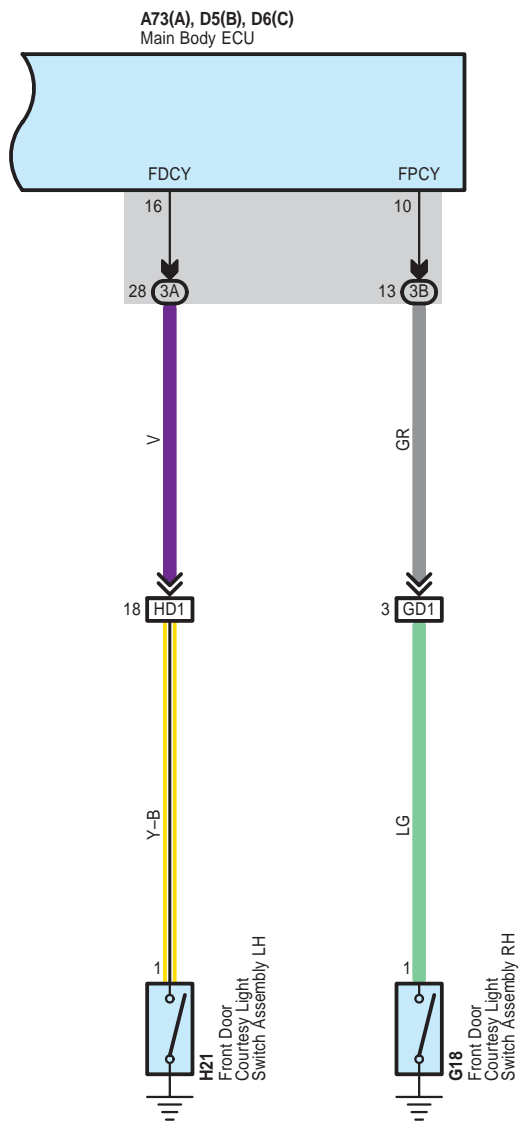


E3(A)
Door Lock with Motor Assembly LH

F6
Power Window Regulator
Switch Assembly
Door Lock
Control Switch
Lock
Unlock
GND

E8(A)
Power Window Regulator
Master Switch Assembly
Door Lock
Control Switch
Lock
Unlock
GND

Door Lock Control



○ : Parts Location

Code			See Page			Code			See Page			Code			See Page		
A9	A	42	D9	B	40	E8	A	44									
A73	A	42	D16	A	40	F3	B	44									
D5	B	40	D17	B	40	F6		44									
D6	C	40	D53		41	G18		44									
D8	A	40	E3	A	44	H21		45									

○ : Relay Blocks

Code	See Page	Relay Blocks (Relay Block Location)
1	24	Engine Room R/B (Engine Compartment Right)

○ : Junction Block and Wire Harness Connector

Code	See Page	Junction Block and Wire Harness (Connector Location)
3A	26	Instrument Panel Wire and Instrument Panel J/B Assembly (Instrument Panel Reinforcement)
3B		
3C	26	Engine Room Main Wire and Instrument Panel J/B Assembly (Instrument Panel Reinforcement)
3D	26	Instrument Panel Wire and Instrument Panel J/B Assembly (Instrument Panel Reinforcement)

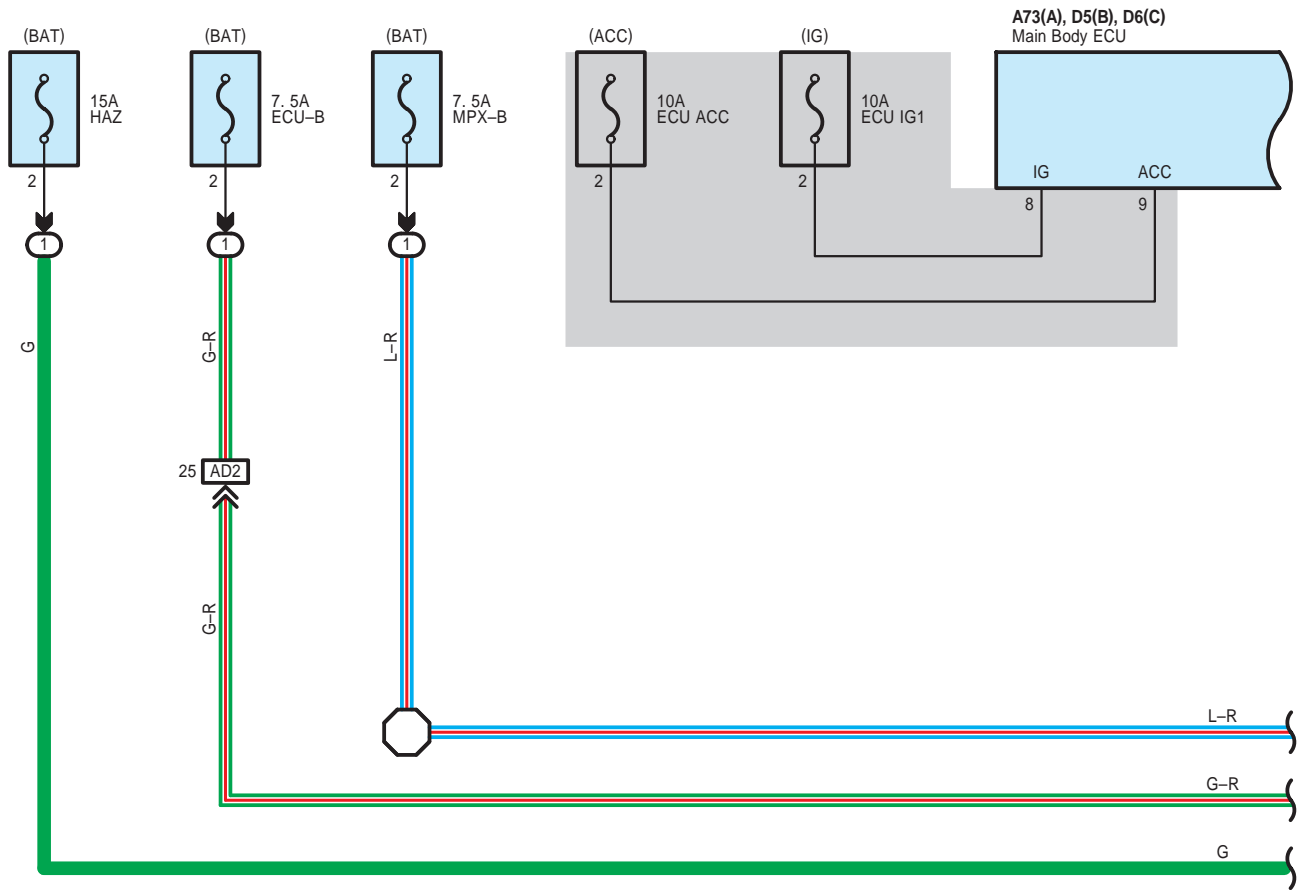
□ : Connector Joining Wire Harness and Wire Harness

Code	See Page	Joining Wire Harness and Wire Harness (Connector Location)
AD2	47	Engine Room Main Wire and Instrument Panel Wire (Cowl Side Panel RH)
ED1	47	Front Door Wire LH and Instrument Panel Wire (Cowl Side Panel LH)
ED2		
FD1	47	Front Door Wire RH and Instrument Panel Wire (Cowl Side Panel RH)
FD2		
GD1	47	No. 1 Floor Wire and Instrument Panel Wire (Cowl Side Panel RH)
HD1	47	No. 2 Floor Wire and Instrument Panel Wire (Cowl Side Panel LH)

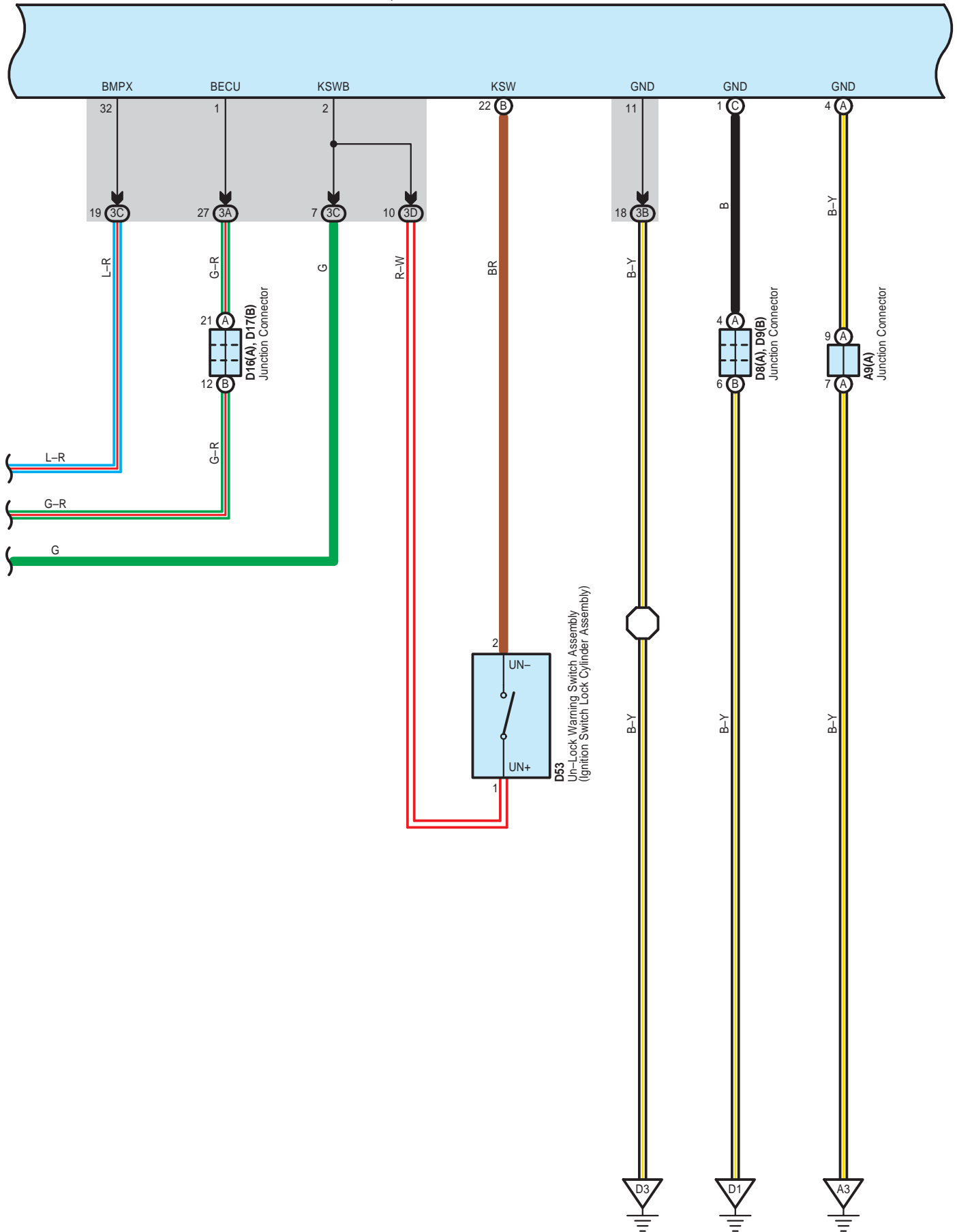
▽ : Ground Points

Code	See Page	Ground Points Location
A3	47	Cowl Side Panel RH
D1	47	Cowl Side Panel LH
D3	47	Instrument Panel Brace RH
D4	47	Cowl Side Panel RH

Wireless Door Lock Control (w/o Smart Entry & Start System)

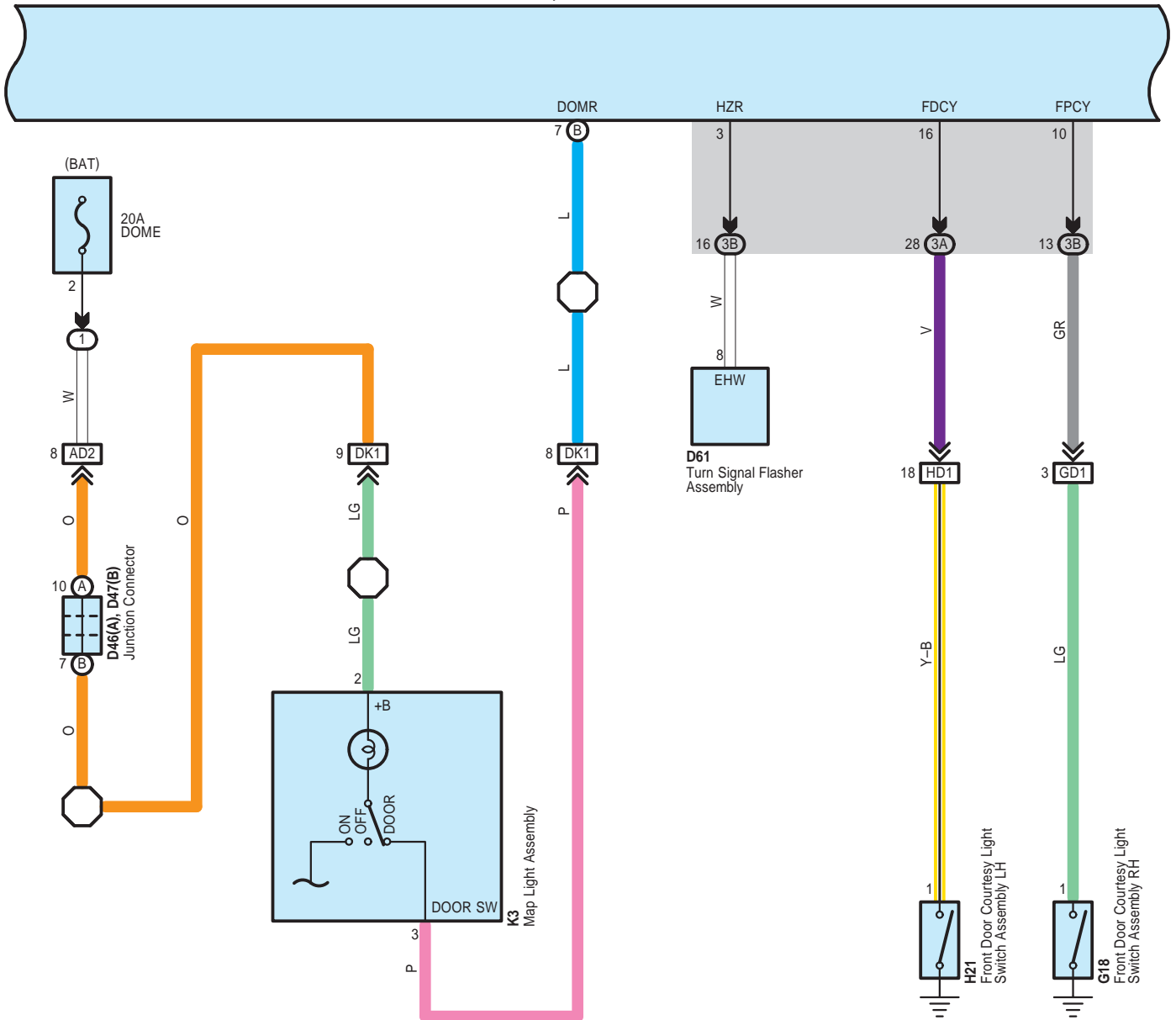


A73(A), D5(B), D6(C)
Main Body ECU



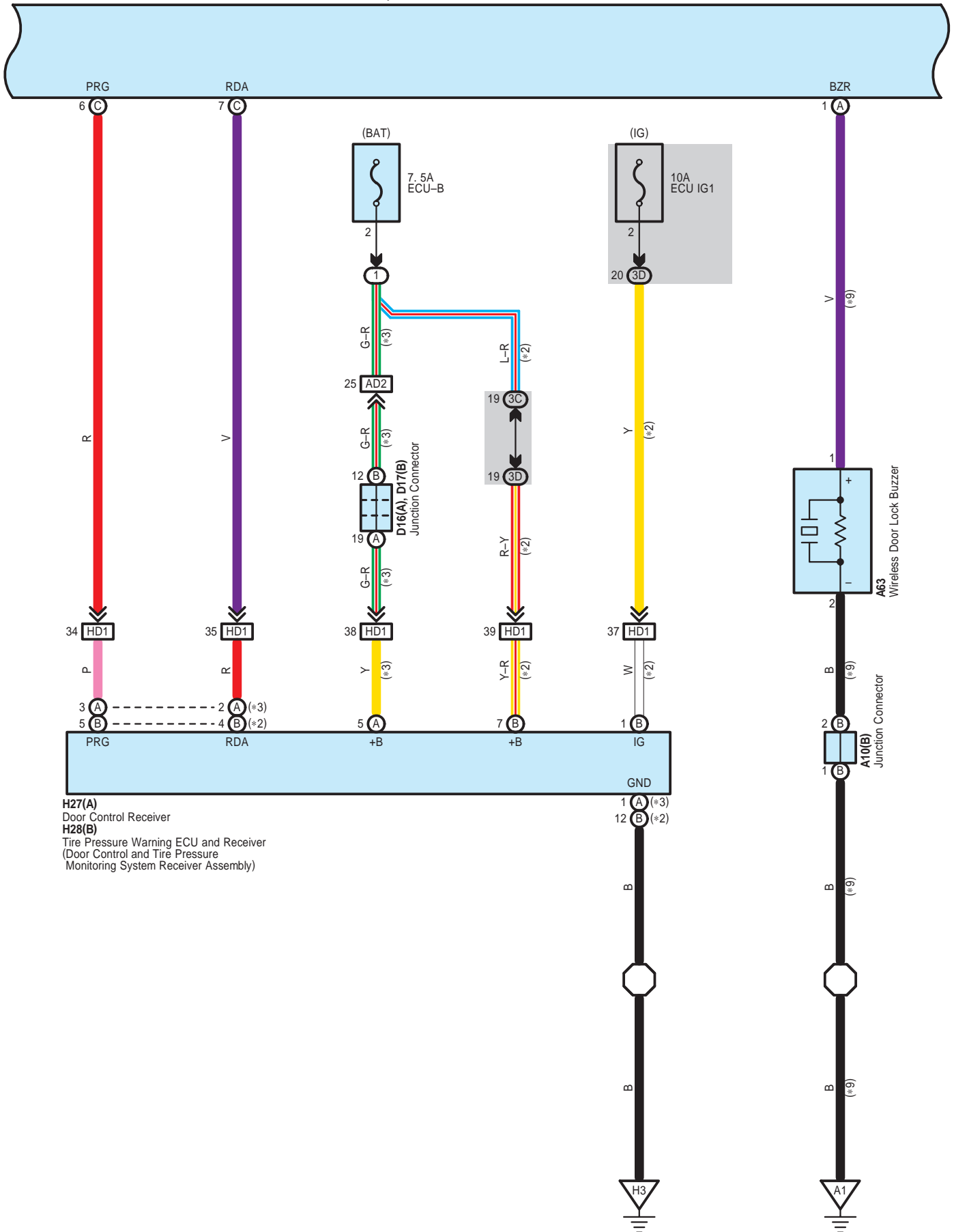
Wireless Door Lock Control (w/o Smart Entry & Start System)

A73(A), D5(B), D6(C)
Main Body ECU



- * 2 : w/ Tire Pressure Warning System
- * 3 : w/o Tire Pressure Warning System
- * 9 : w/ Wireless Door Lock Buzzer

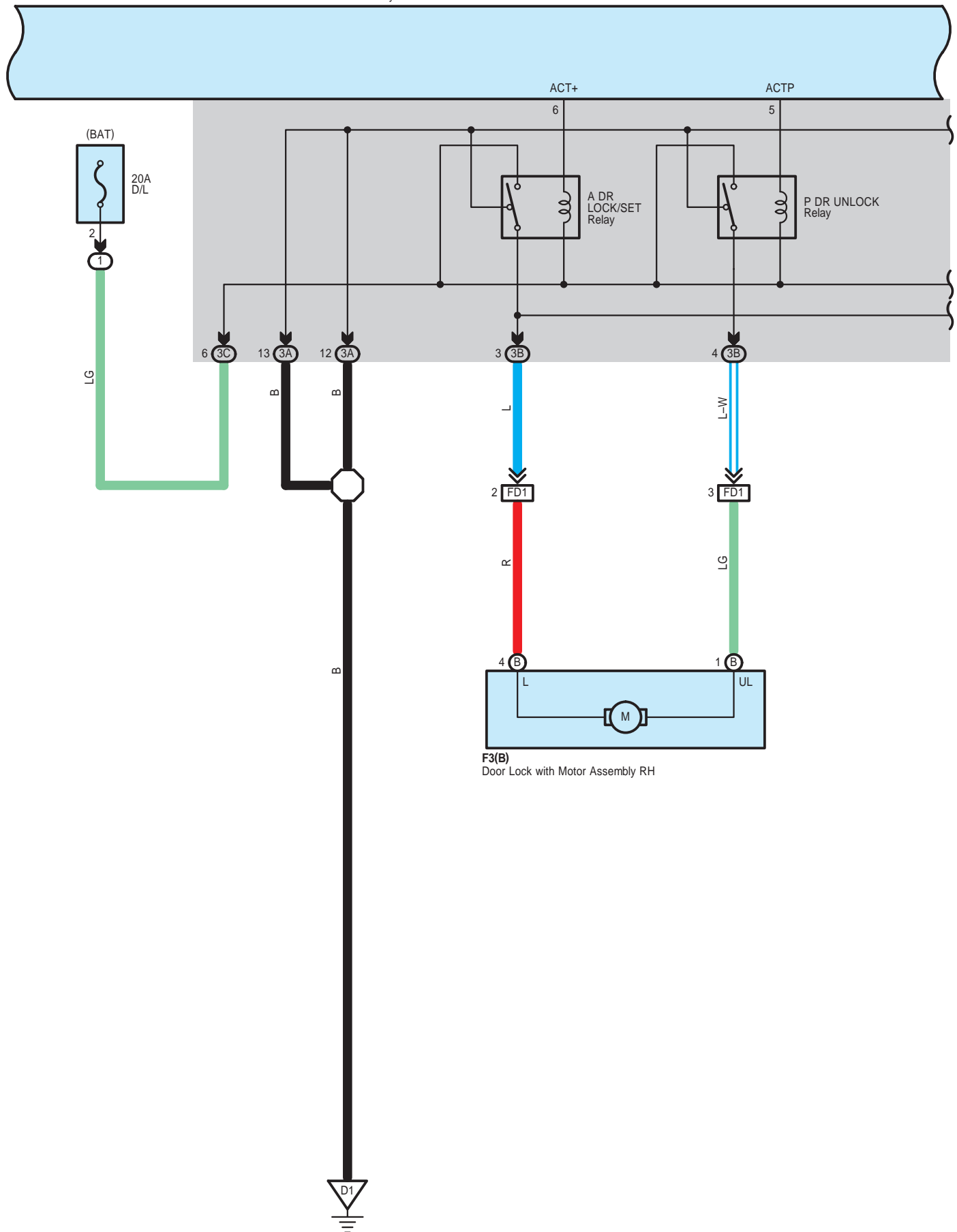
A73(A), D5(B), D6(C)
Main Body ECU



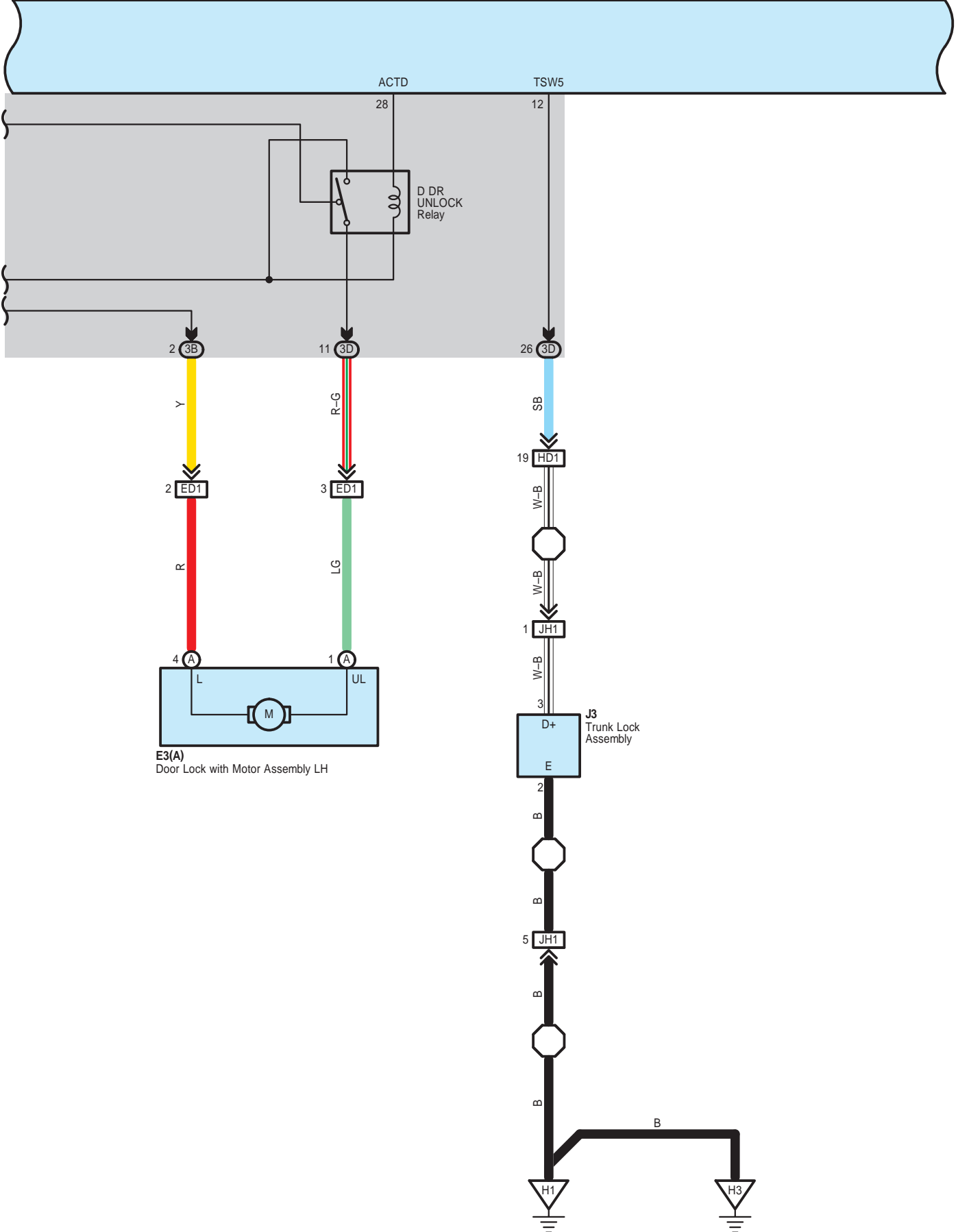
H27(A)
Door Control Receiver
H28(B)
Tire Pressure Warning ECU and Receiver
(Door Control and Tire Pressure
Monitoring System Receiver Assembly)

Wireless Door Lock Control (w/o Smart Entry & Start System)

A73(A), D5(B), D6(C)
Main Body ECU



A73(A), D5(B), D6(C)
Main Body ECU

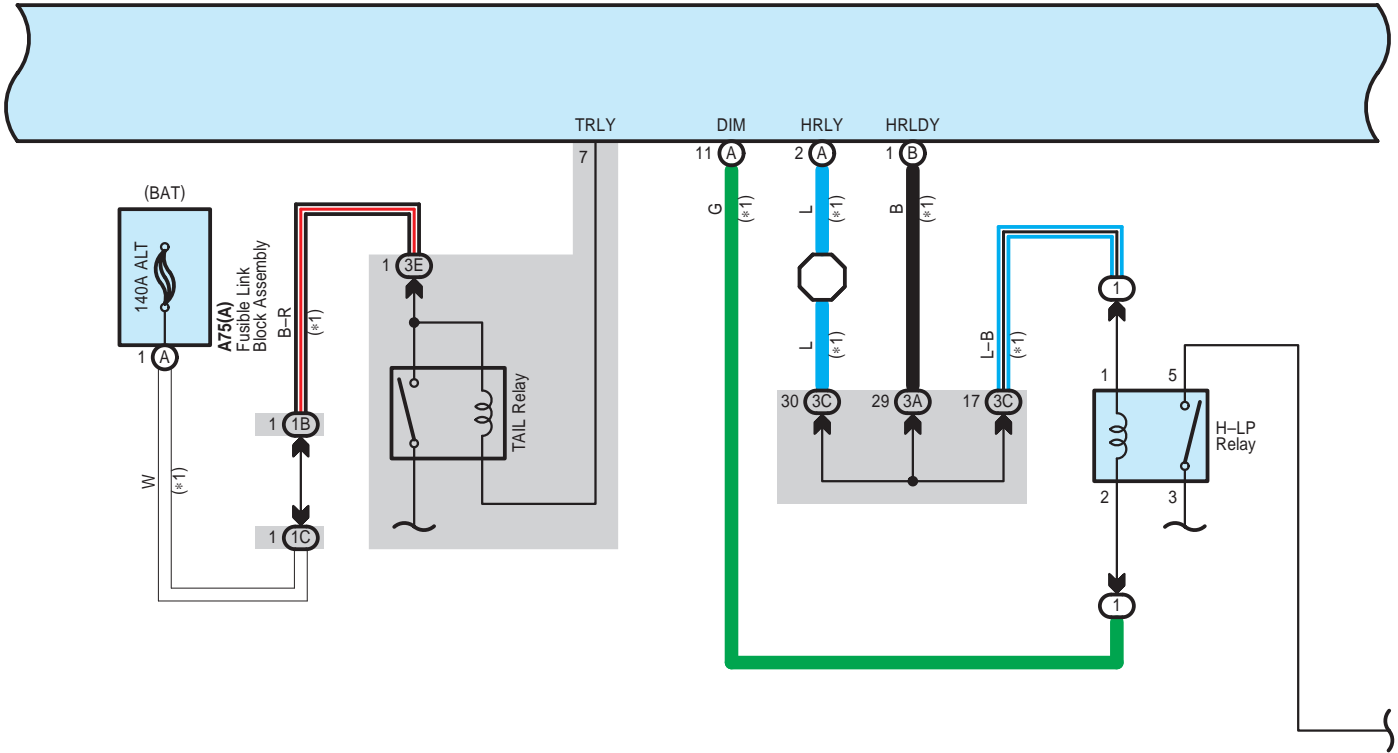


E3(A)
Door Lock with Motor Assembly LH

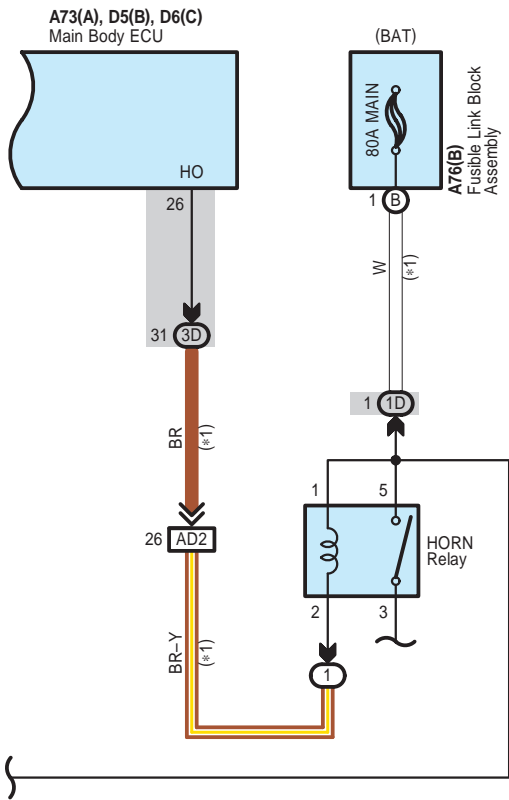
J3
Trunk Lock
Assembly

Wireless Door Lock Control (w/o Smart Entry & Start System)

A73(A), D5(B), D6(C)
Main Body ECU



* 1 : w/ Panic Alarm Function



Wireless Door Lock Control (w/o Smart Entry & Start System)

○ : Parts Location

Code			See Page			Code			See Page			Code			See Page		
A9	A	42	D8	A	40	E3	A	44									
A10	B	42	D9	B	40	F3	B	44									
A63		39	D16	A	40	G18		44									
A73	A	42	D17	B	40	H21		45									
A75	A	36, 39	D46	A	41	H27	A	45									
A76	B	36, 39	D47	B	41	H28	B	45									
D5	B	40	D53		41	J3		45									
D6	C	40	D61		41	K3		45									

○ : Relay Blocks

Code	See Page	Relay Blocks (Relay Block Location)
1	24	Engine Room R/B (Engine Compartment Right)

○ : Junction Block and Wire Harness Connector

Code	See Page	Junction Block and Wire Harness (Connector Location)
1B	24	Engine Room Main Wire and Engine Room J/B (Engine Compartment Right)
1C		
1D		
3A	26	Instrument Panel Wire and Instrument Panel J/B Assembly (Instrument Panel Reinforcement)
3B		
3C	26	Engine Room Main Wire and Instrument Panel J/B Assembly (Instrument Panel Reinforcement)
3D	26	Instrument Panel Wire and Instrument Panel J/B Assembly (Instrument Panel Reinforcement)
3E	26	Engine Room Main Wire and Instrument Panel J/B Assembly (Instrument Panel Reinforcement)

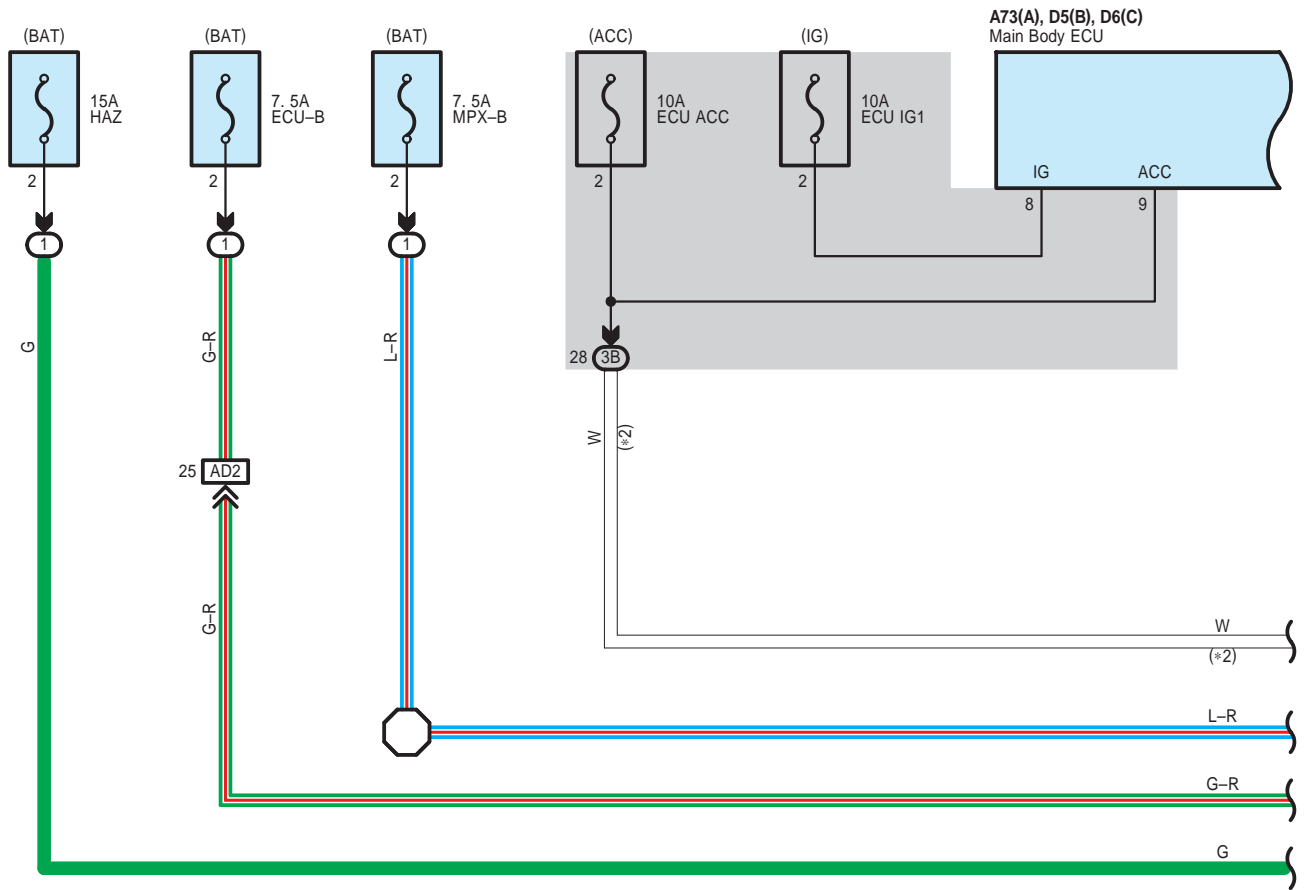
□ : Connector Joining Wire Harness and Wire Harness

Code	See Page	Joining Wire Harness and Wire Harness (Connector Location)
AD2	47	Engine Room Main Wire and Instrument Panel Wire (Cowl Side Panel RH)
DK1	47	Instrument Panel Wire and Roof Wire (Front Body Inner Pillar RH)
ED1	47	Front Door Wire LH and Instrument Panel Wire (Cowl Side Panel LH)
FD1	47	Front Door Wire RH and Instrument Panel Wire (Cowl Side Panel RH)
GD1	47	No. 1 Floor Wire and Instrument Panel Wire (Cowl Side Panel RH)
HD1	47	No. 2 Floor Wire and Instrument Panel Wire (Cowl Side Panel LH)
JH1	48	Trunk Wire and No. 2 Floor Wire (Quarter Panel LH)

▽ : Ground Points

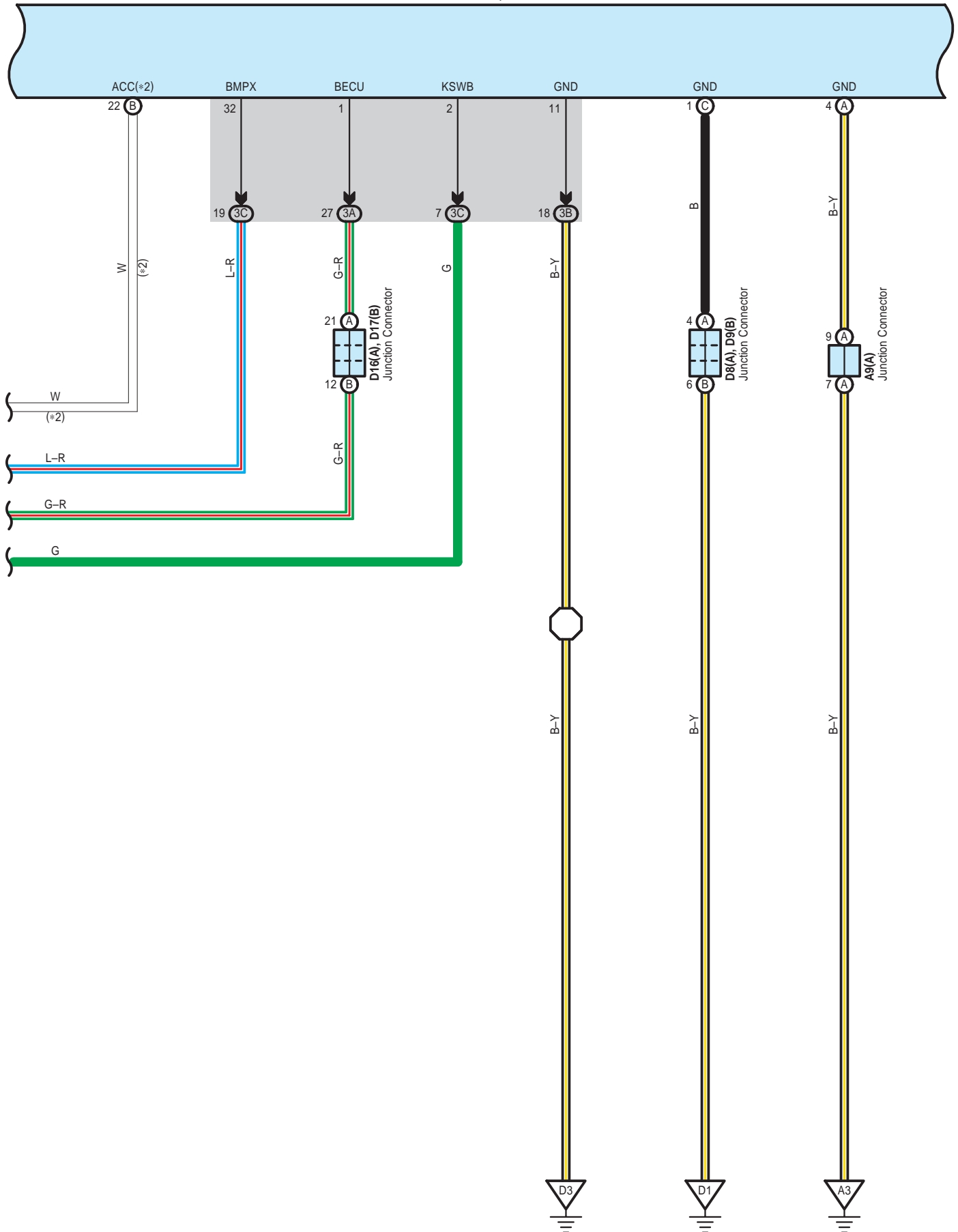
Code	See Page	Ground Points Location
A1	46	Front Fender Apron LH
A3	47	Cowl Side Panel RH
D1	47	Cowl Side Panel LH
D3	47	Instrument Panel Brace RH
H1	48	Lower Back Panel
H3	48	Quarter Wheel House Panel LH

Trunk Opener



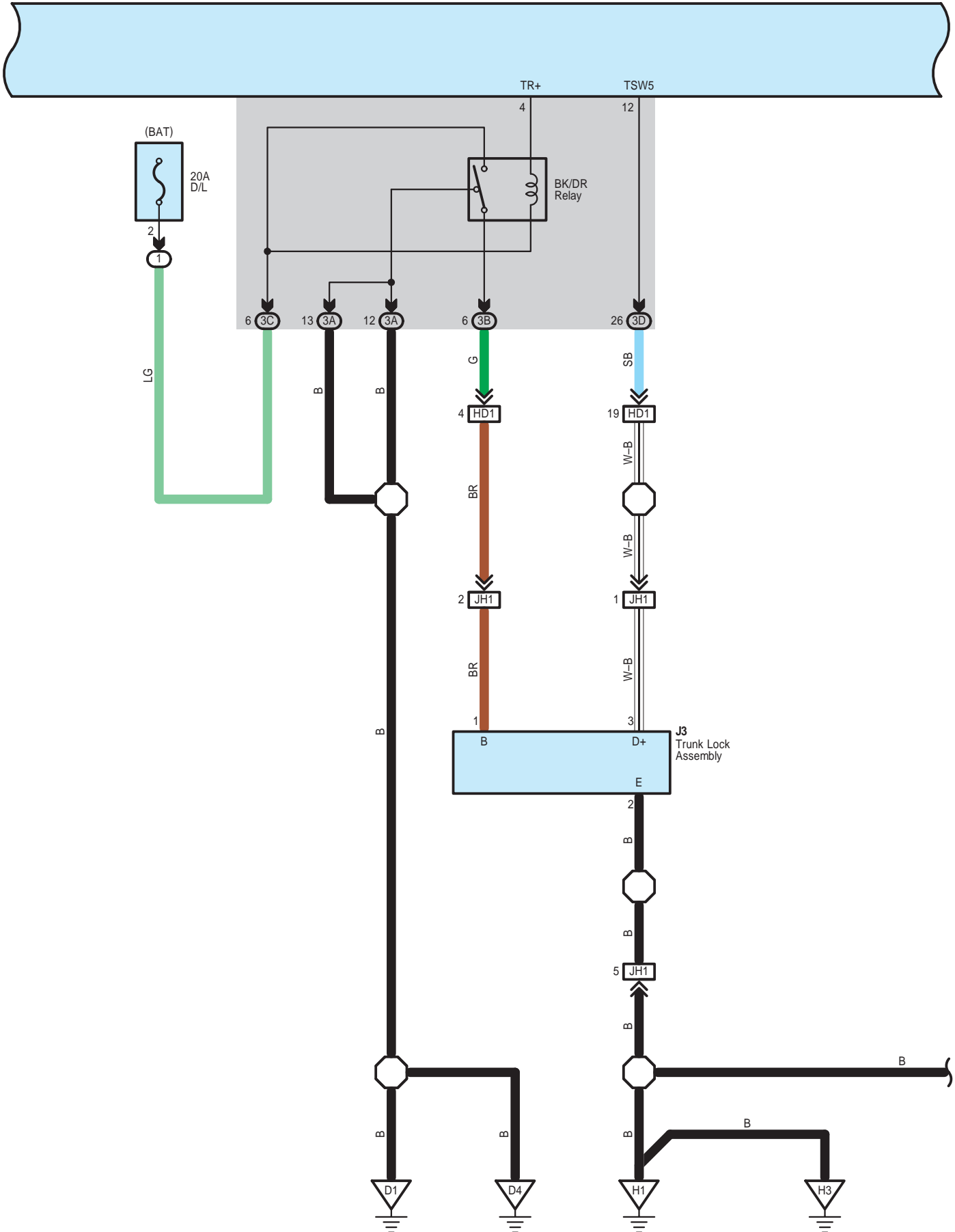
* 2 : w/ Smart Entry & Start System

A73(A), D5(B), D6(C)
Main Body ECU

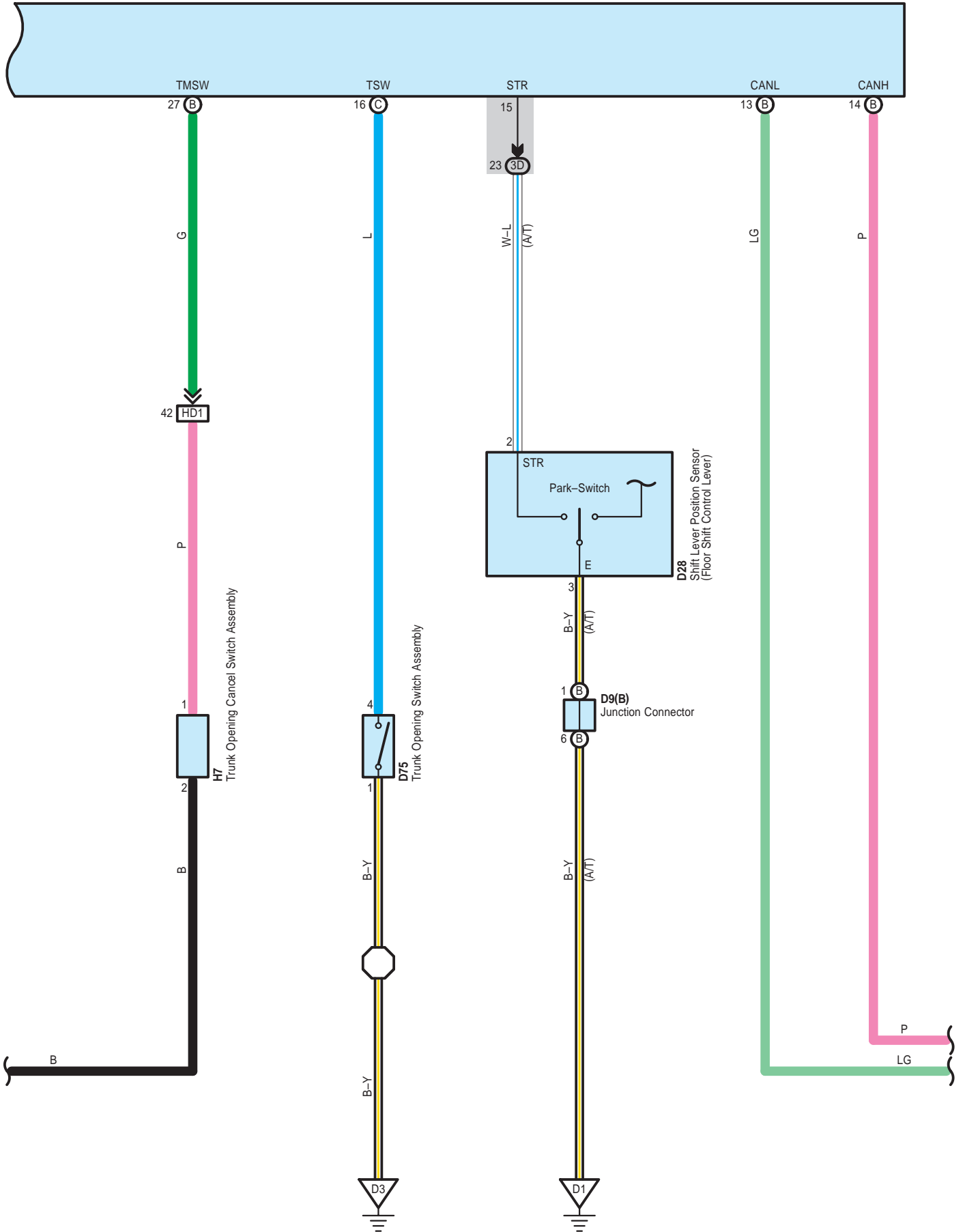


Trunk Opener

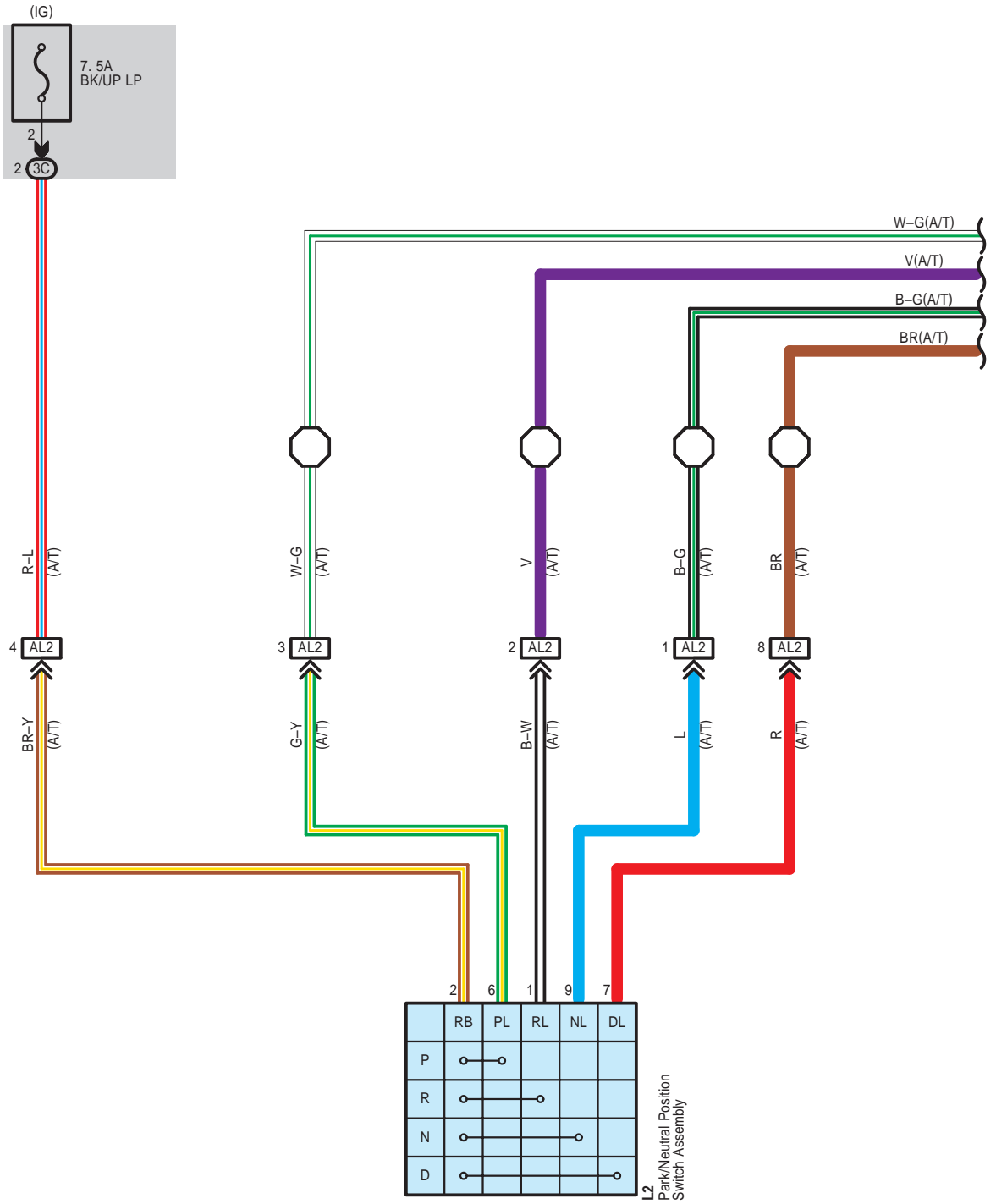
A73(A), D5(B), D6(C)
Main Body ECU

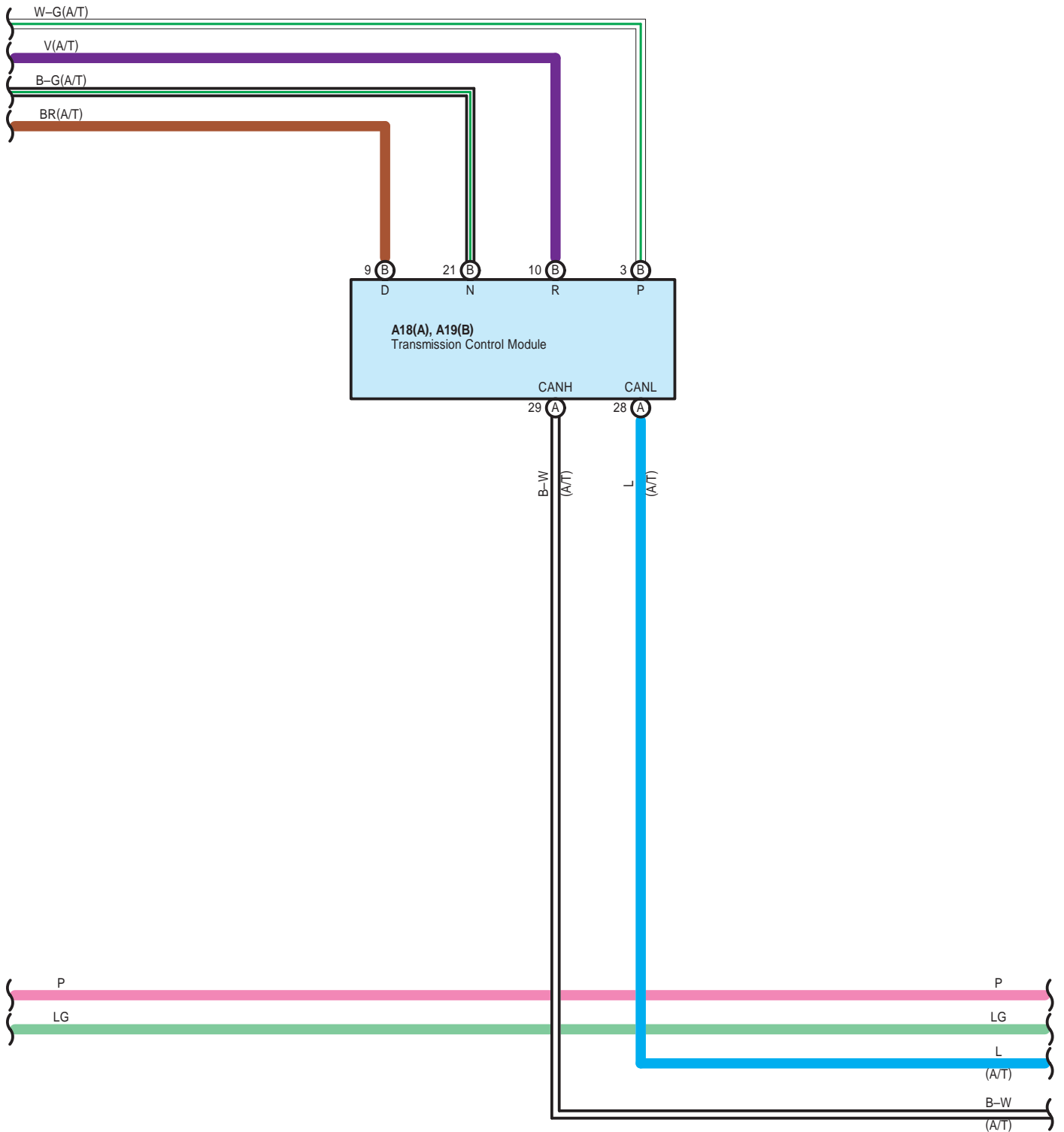


A73(A), D5(B), D6(C)
Main Body ECU



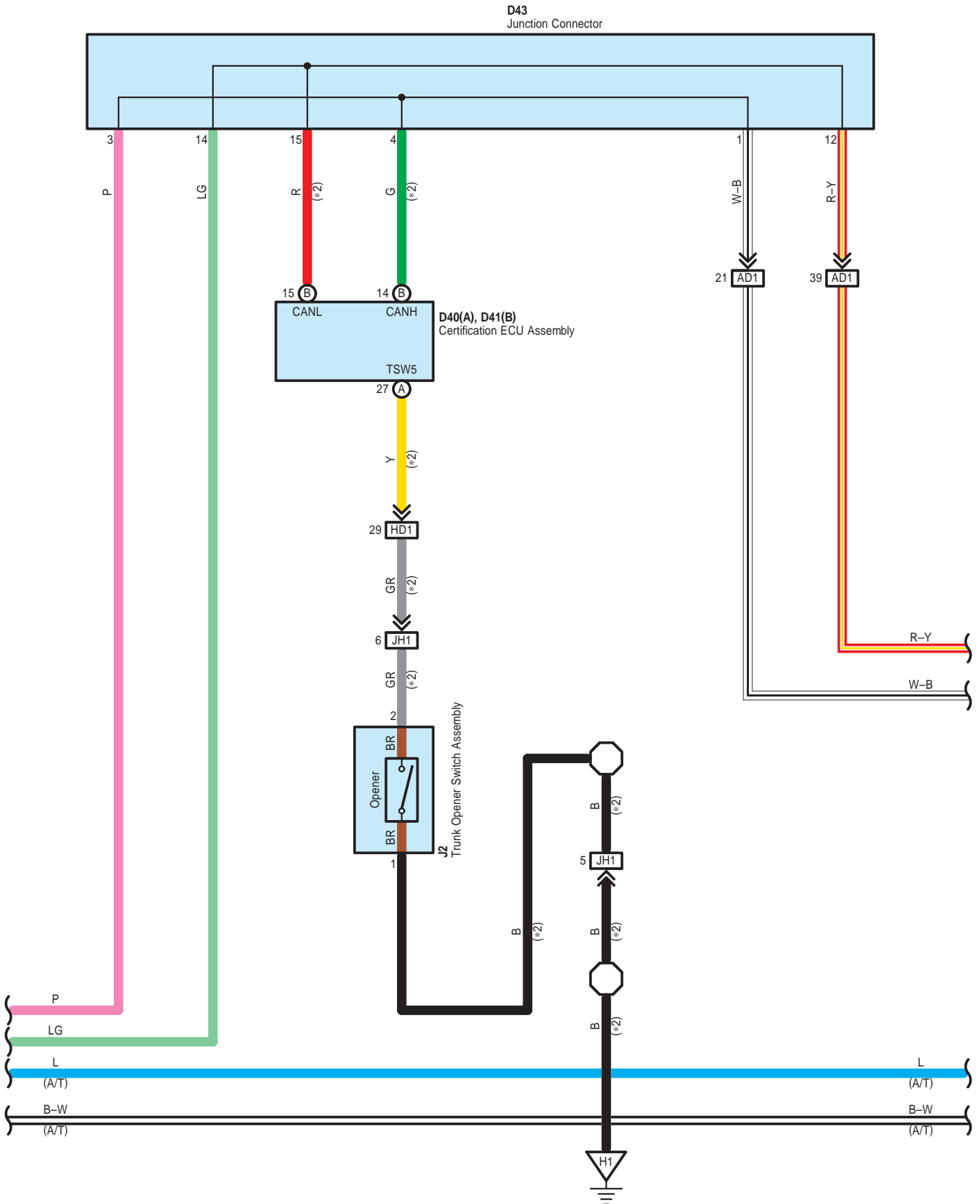
Trunk Opener



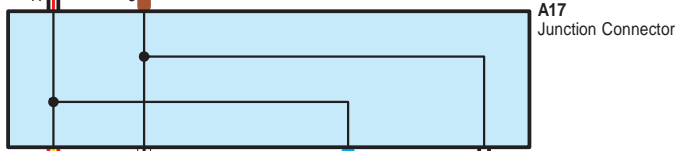
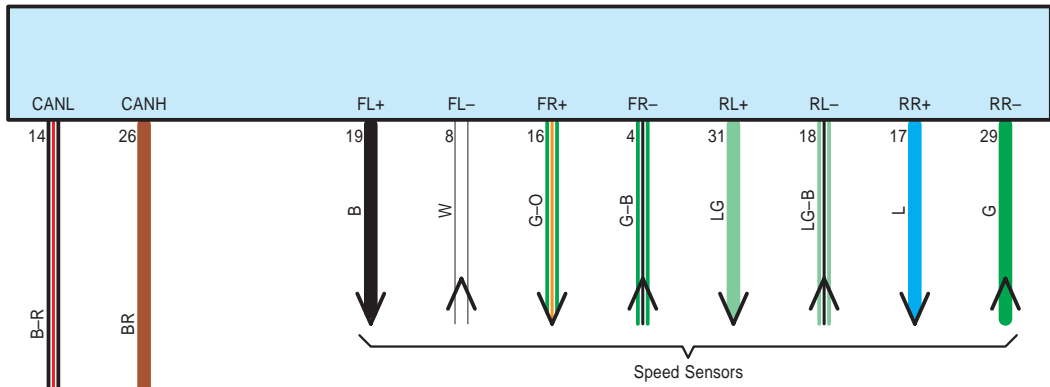


Trunk Opener

* 2 : w/ Smart Entry & Start System



A5
VSC (VDC) Control Module



Trunk Opener

: Parts Location

Code		See Page	Code		See Page	Code		See Page
A5		39	D6	C	40	D41	B	41
A9	A	42	D8	A	40	D43		41
A17		42	D9	B	40	D75		41
A18	A	42	D16	A	40	H7		45
A19	B	42	D17	B	40	J2		45
A73	A	42	D28		40	J3		45
D5	B	40	D40	A	41	L2		39

: Relay Blocks

Code	See Page	Relay Blocks (Relay Block Location)
1	24	Engine Room R/B (Engine Compartment Right)

: Junction Block and Wire Harness Connector

Code	See Page	Junction Block and Wire Harness (Connector Location)
3A	26	Instrument Panel Wire and Instrument Panel J/B Assembly (Instrument Panel Reinforcement)
3B		
3C	26	Engine Room Main Wire and Instrument Panel J/B Assembly (Instrument Panel Reinforcement)
3D	26	Instrument Panel Wire and Instrument Panel J/B Assembly (Instrument Panel Reinforcement)

: Connector Joining Wire Harness and Wire Harness

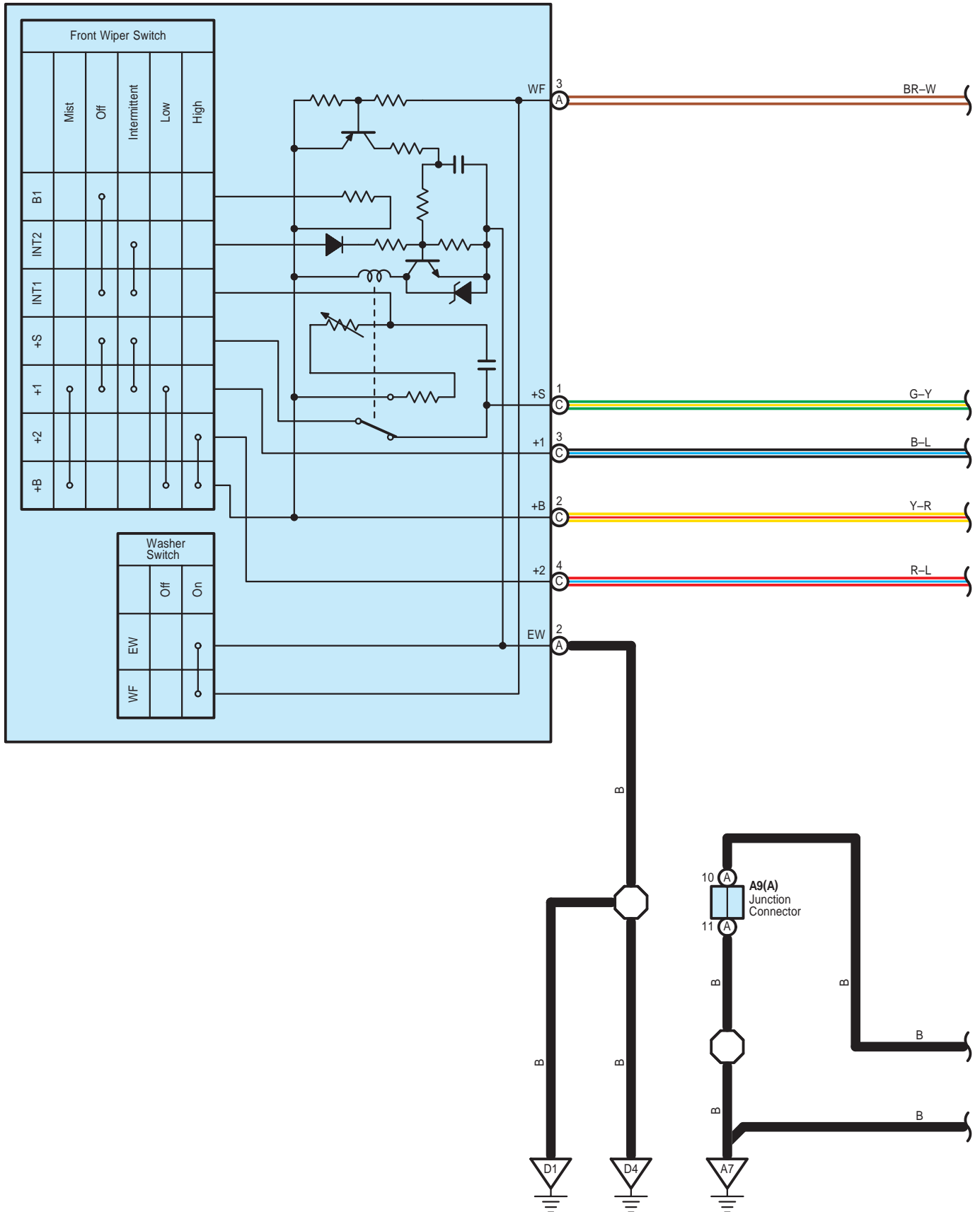
Code	See Page	Joining Wire Harness and Wire Harness (Connector Location)
AD1	47	Engine Room Main Wire and Instrument Panel Wire (Cowl Side Panel LH)
AD2	47	Engine Room Main Wire and Instrument Panel Wire (Cowl Side Panel RH)
AL2	46	Engine Room Main Wire and Transmission Wire (Dash Panel)
HD1	47	No. 2 Floor Wire and Instrument Panel Wire (Cowl Side Panel LH)
JH1	48	Trunk Wire and No. 2 Floor Wire (Quarter Panel LH)

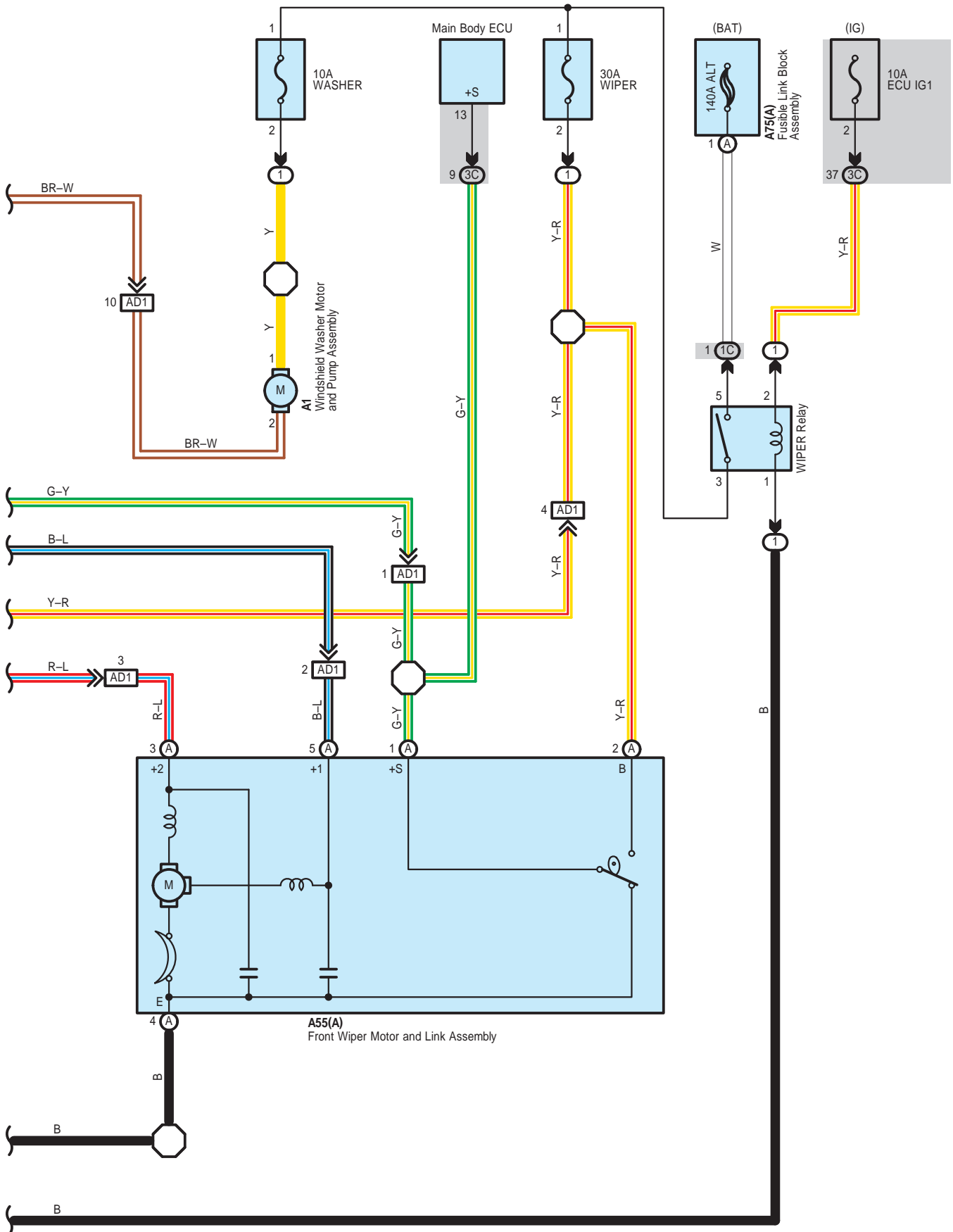
: Ground Points

Code	See Page	Ground Points Location
A3	47	Cowl Side Panel RH
D1	47	Cowl Side Panel LH
D3	47	Instrument Panel Brace RH
D4	47	Cowl Side Panel RH
H1	48	Lower Back Panel
H3	48	Quarter Wheel House Panel LH

Front Wiper and Washer

D57(A), D58(C)
Windshield Wiper Switch Assembly





Front Wiper and Washer

: Parts Location

Code		See Page	Code		See Page	Code		See Page
A1		39	A55	A	39	D57	A	41
A9	A	42	A75	A	36, 39	D58	C	41

: Relay Blocks

Code	See Page	Relay Blocks (Relay Block Location)
1	24	Engine Room R/B (Engine Compartment Right)

: Junction Block and Wire Harness Connector

Code	See Page	Junction Block and Wire Harness (Connector Location)
1C	24	Engine Room Main Wire and Engine Room J/B (Engine Compartment Right)
3C	26	Engine Room Main Wire and Instrument Panel J/B Assembly (Instrument Panel Reinforcement)

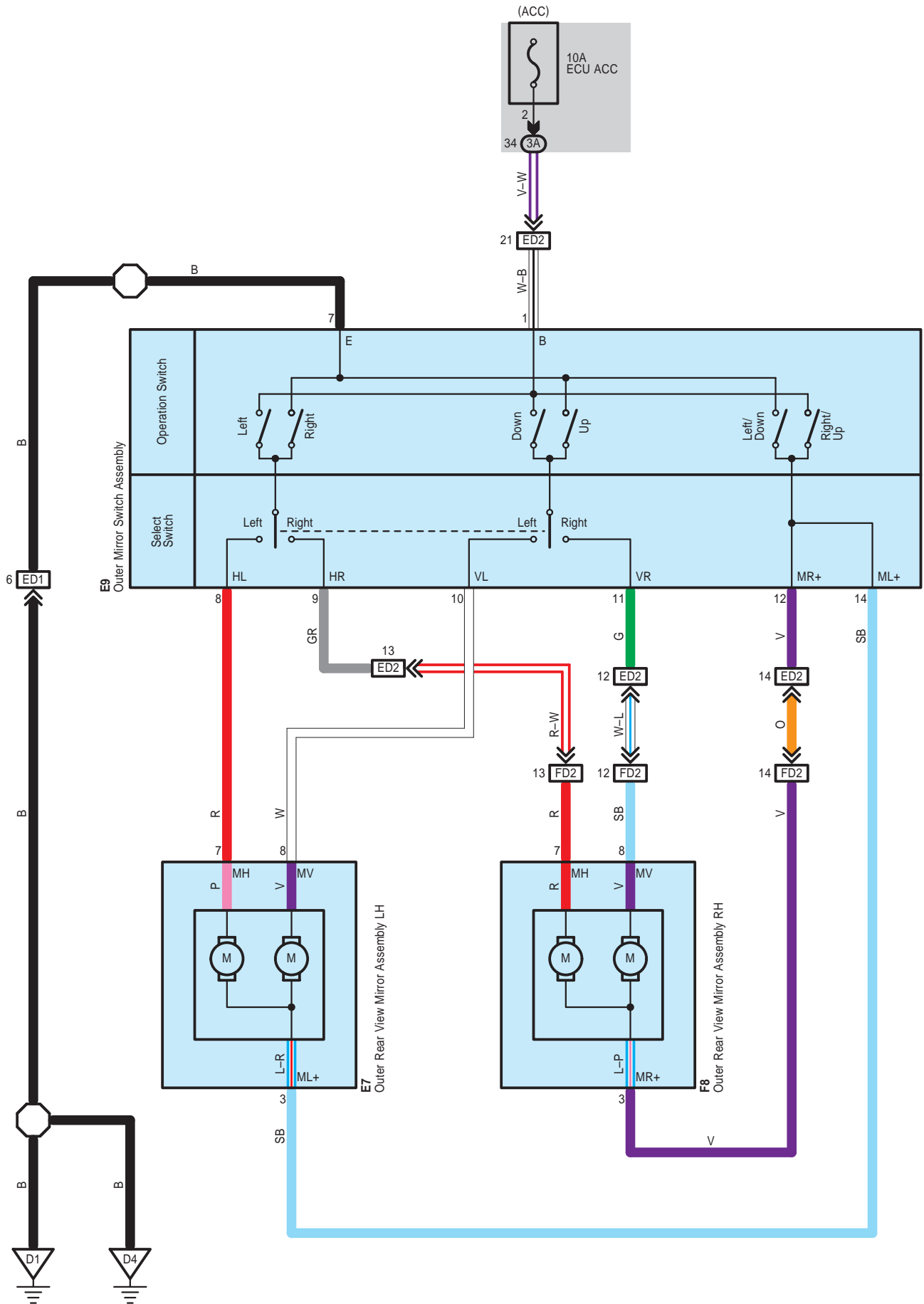
: Connector Joining Wire Harness and Wire Harness

Code	See Page	Joining Wire Harness and Wire Harness (Connector Location)
AD1	47	Engine Room Main Wire and Instrument Panel Wire (Cowl Side Panel LH)

: Ground Points

Code	See Page	Ground Points Location
A7	46	Front Fender Apron RH
D1	47	Cowl Side Panel LH
D4	47	Cowl Side Panel RH

Remote Control Mirror



○ : Parts Location

Code	See Page	Code	See Page	Code	See Page
E7	44	E9	44	F8	44

○ : Junction Block and Wire Harness Connector

Code	See Page	Junction Block and Wire Harness (Connector Location)
3A	26	Instrument Panel Wire and Instrument Panel J/B Assembly (Instrument Panel Reinforcement)

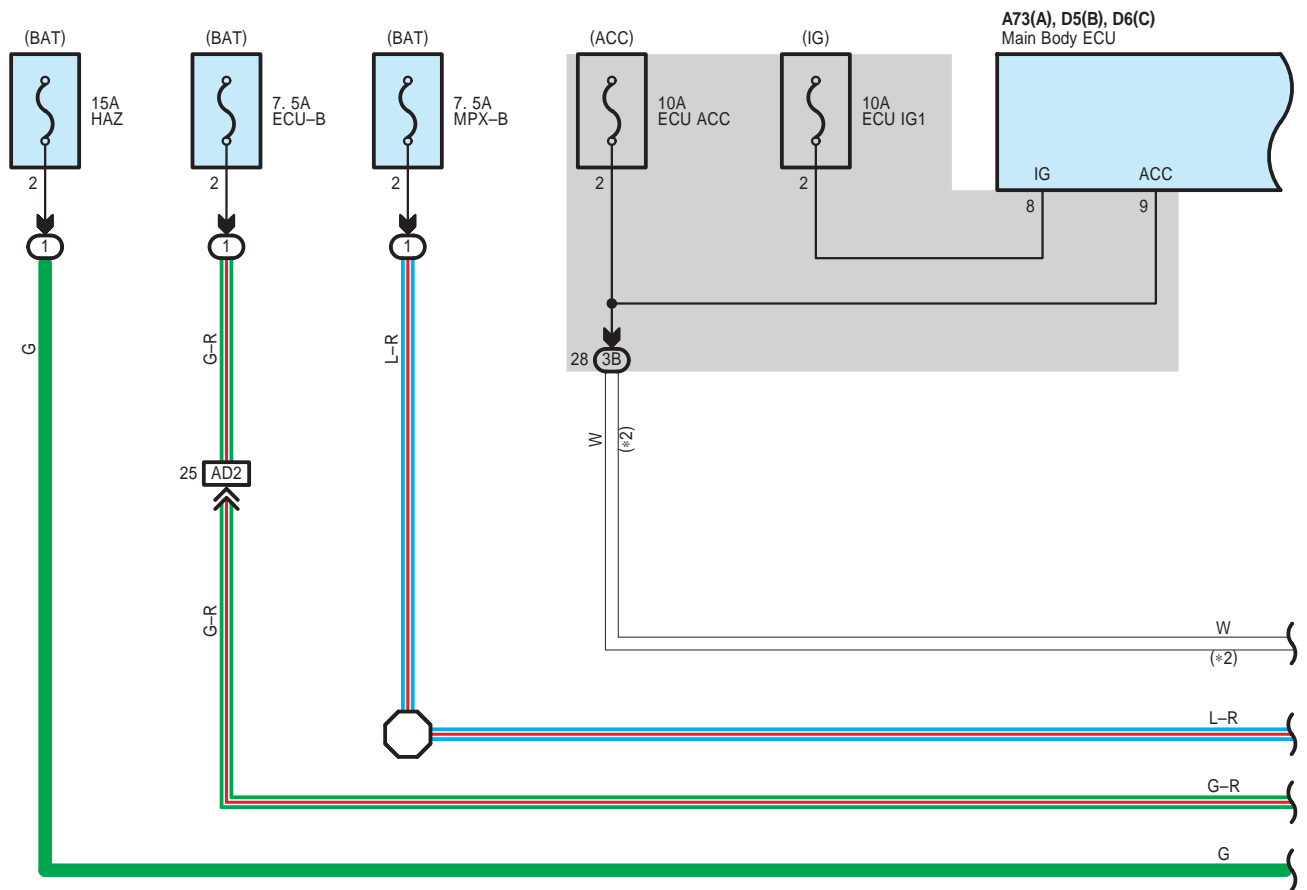
□ : Connector Joining Wire Harness and Wire Harness

Code	See Page	Joining Wire Harness and Wire Harness (Connector Location)
ED1	47	Front Door Wire LH and Instrument Panel Wire (Cowl Side Panel LH)
ED2		
FD2	47	Front Door Wire RH and Instrument Panel Wire (Cowl Side Panel RH)

▽ : Ground Points

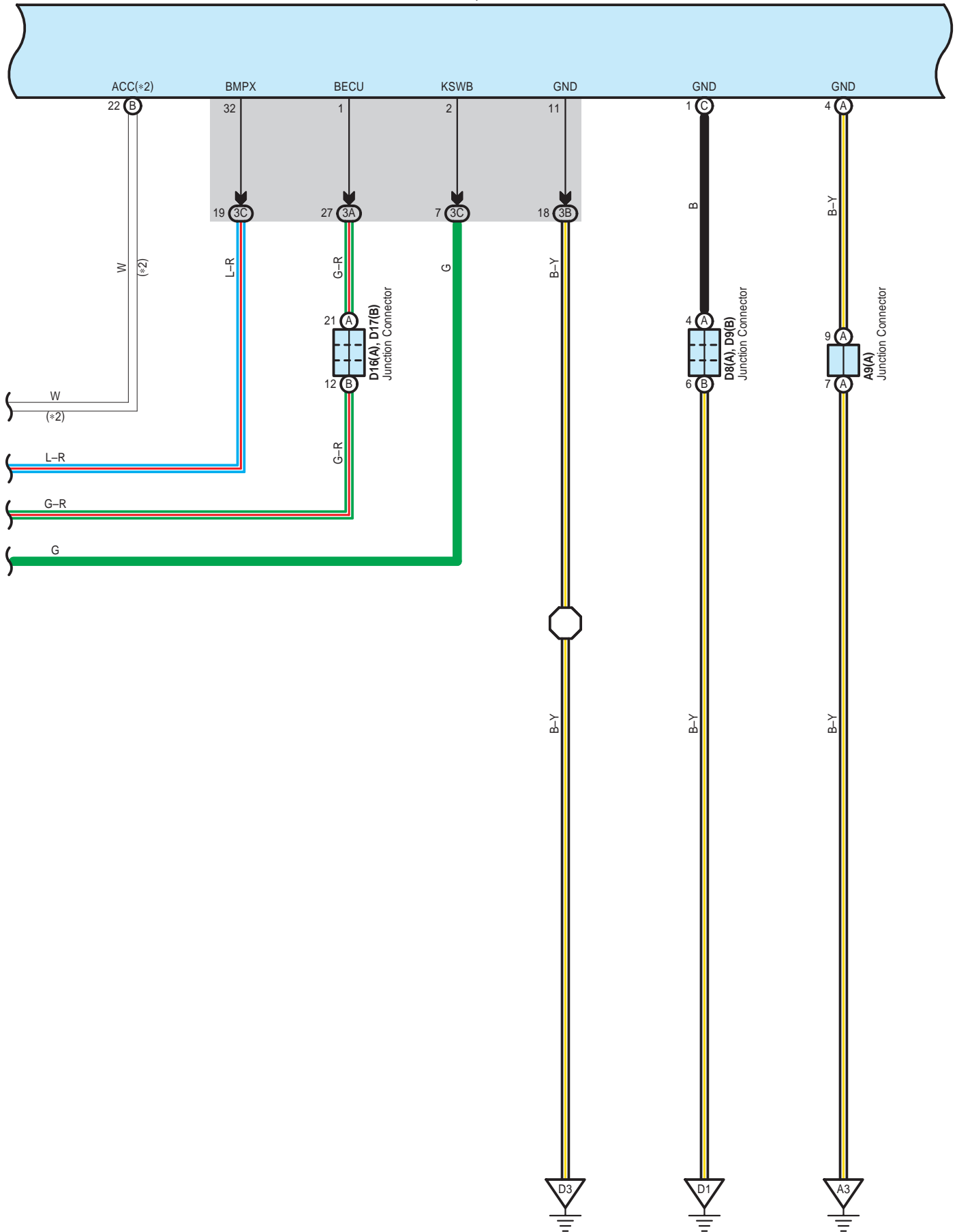
Code	See Page	Ground Points Location
D1	47	Cowl Side Panel LH
D4	47	Cowl Side Panel RH

Mirror Heater and Rear Window Defogger



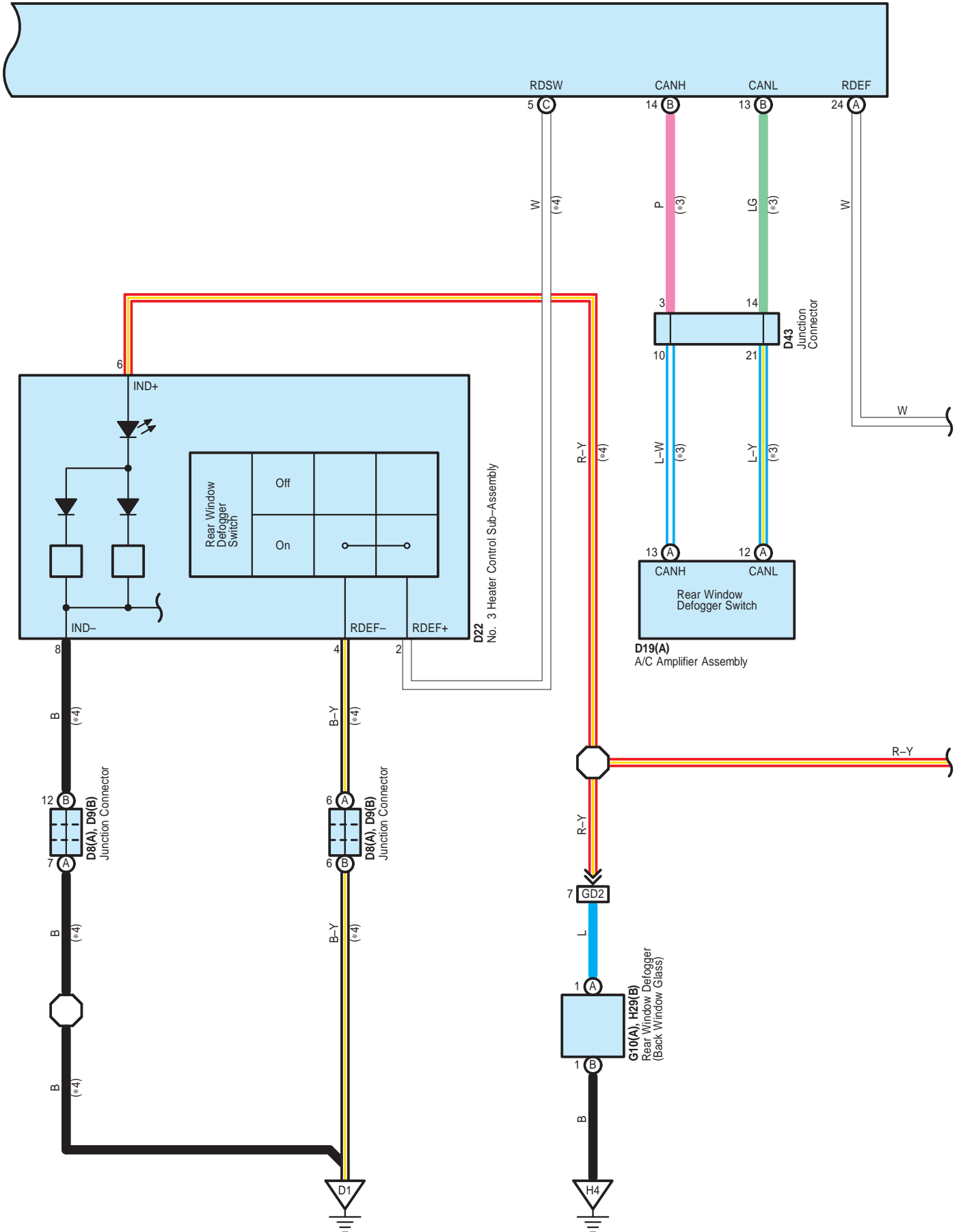
* 2 : w/ Smart Entry & Start System

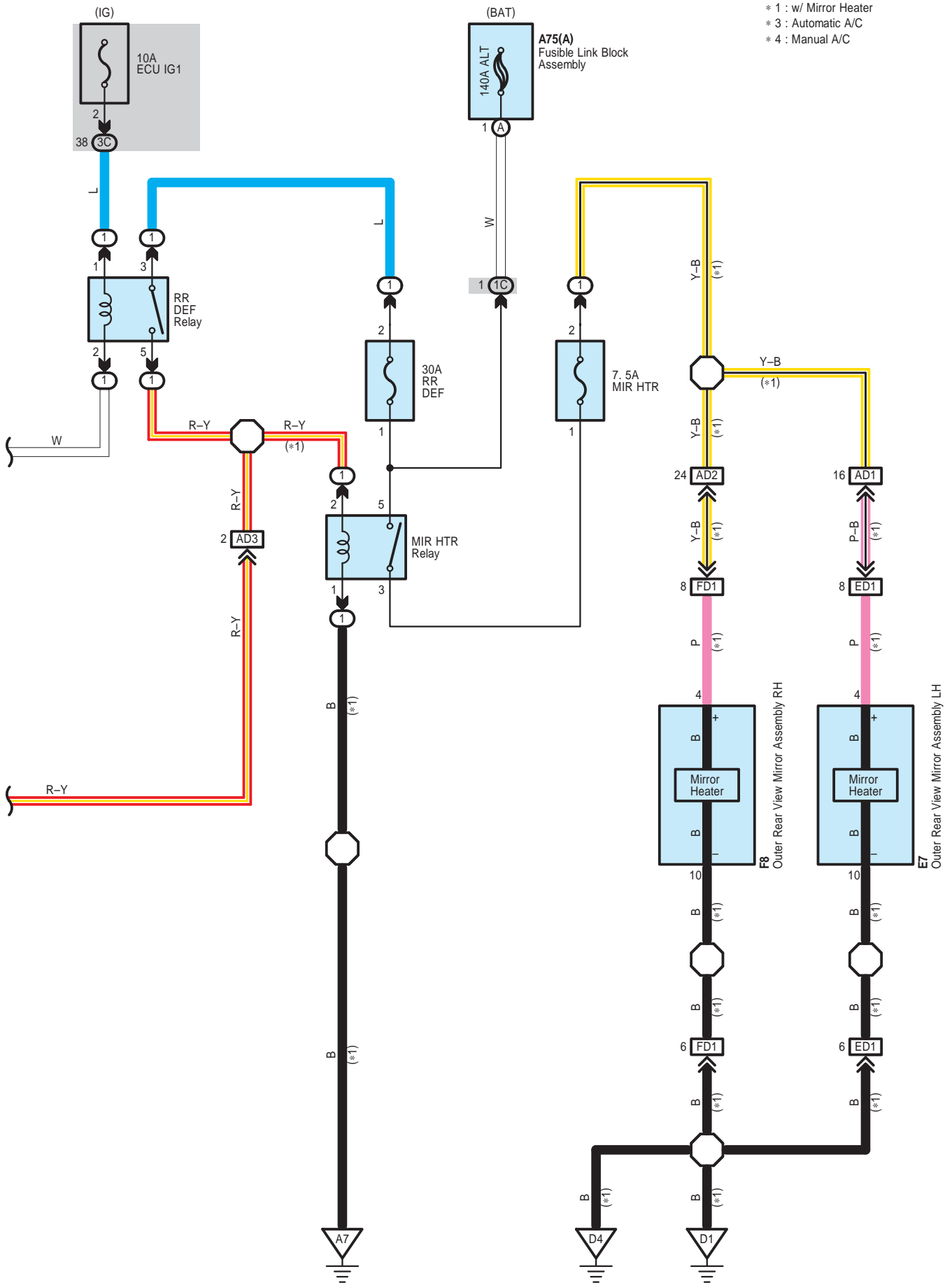
A73(A), D5(B), D6(C)
Main Body ECU



Mirror Heater and Rear Window Defogger

A73(A), D5(B), D6(C)
Main Body ECU





BRZ (G4420BE)

Mirror Heater and Rear Window Defogger

: Parts Location

Code			See Page			Code			See Page			Code			See Page		
A9	A	42	D9	B	40	E7		44									
A73	A	42	D16	A	40	F8		44									
A75	A	36, 39	D17	B	40	G10	A	44									
D5	B	40	D19	A	40	H29	B	45									
D6	C	40	D22		40												
D8	A	40	D43		41												

: Relay Blocks

Code	See Page	Relay Blocks (Relay Block Location)
1	24	Engine Room R/B (Engine Compartment Right)

: Junction Block and Wire Harness Connector

Code	See Page	Junction Block and Wire Harness (Connector Location)
1C	24	Engine Room Main Wire and Engine Room J/B (Engine Compartment Right)
3A	26	Instrument Panel Wire and Instrument Panel J/B Assembly (Instrument Panel Reinforcement)
3B		
3C	26	Engine Room Main Wire and Instrument Panel J/B Assembly (Instrument Panel Reinforcement)

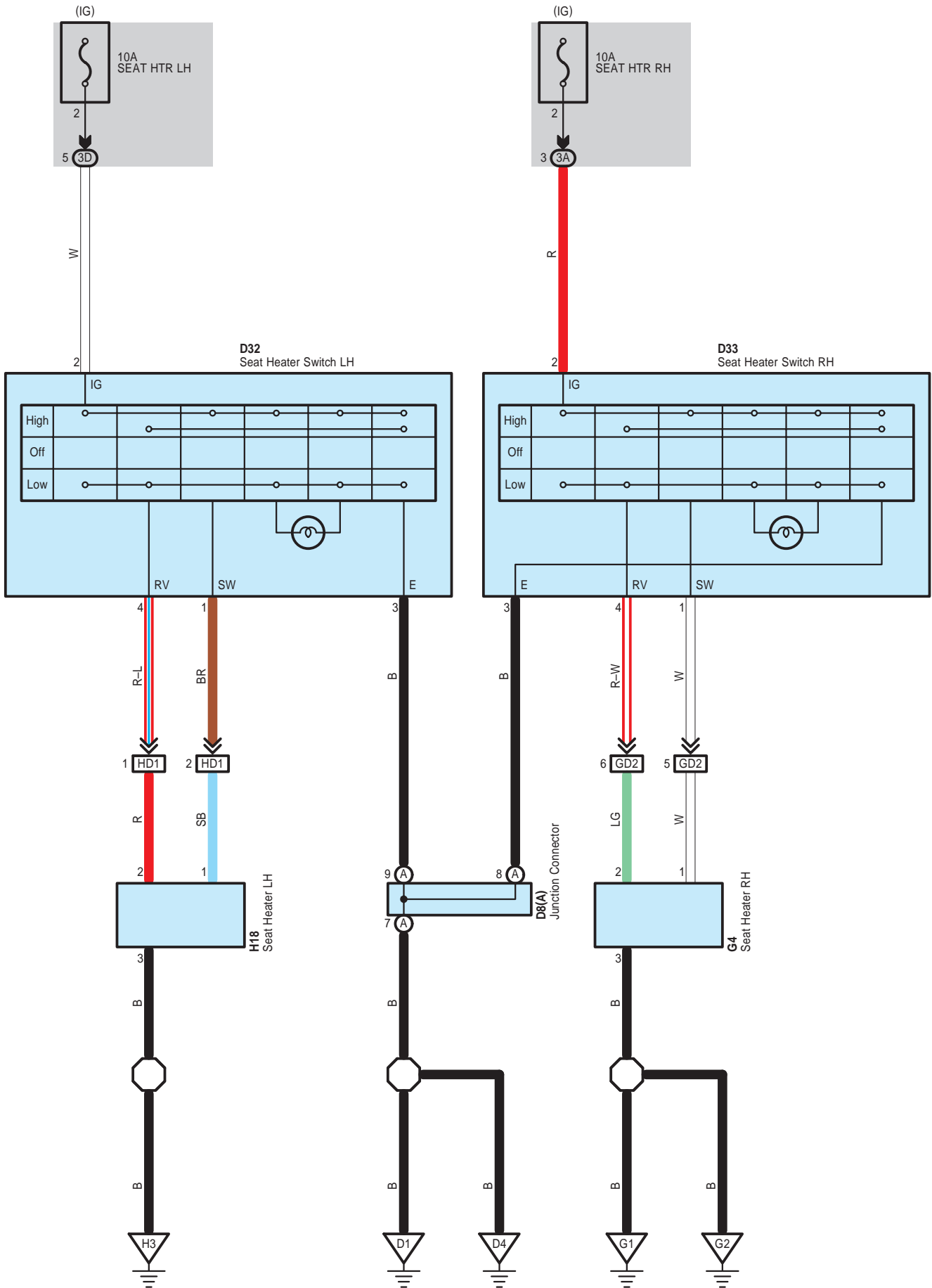
: Connector Joining Wire Harness and Wire Harness

Code	See Page	Joining Wire Harness and Wire Harness (Connector Location)
AD1	47	Engine Room Main Wire and Instrument Panel Wire (Cowl Side Panel LH)
AD2	47	Engine Room Main Wire and Instrument Panel Wire (Cowl Side Panel RH)
AD3	47	Engine Room Main Wire and Instrument Panel Wire (Cowl Side Panel LH)
ED1	47	Front Door Wire LH and Instrument Panel Wire (Cowl Side Panel LH)
FD1	47	Front Door Wire RH and Instrument Panel Wire (Cowl Side Panel RH)
GD2	47	No. 1 Floor Wire and Instrument Panel Wire (Cowl Side Panel RH)

: Ground Points

Code	See Page	Ground Points Location
A3	47	Cowl Side Panel RH
A7	46	Front Fender Apron RH
D1	47	Cowl Side Panel LH
D3	47	Instrument Panel Brace RH
D4	47	Cowl Side Panel RH
H4	48	Upper Back Panel

Seat Heater



○ : Parts Location

Code		See Page	Code		See Page	Code		See Page
D8	A	40	D33	40	H18	45		
D32		40	G4		44			

○ : Junction Block and Wire Harness Connector

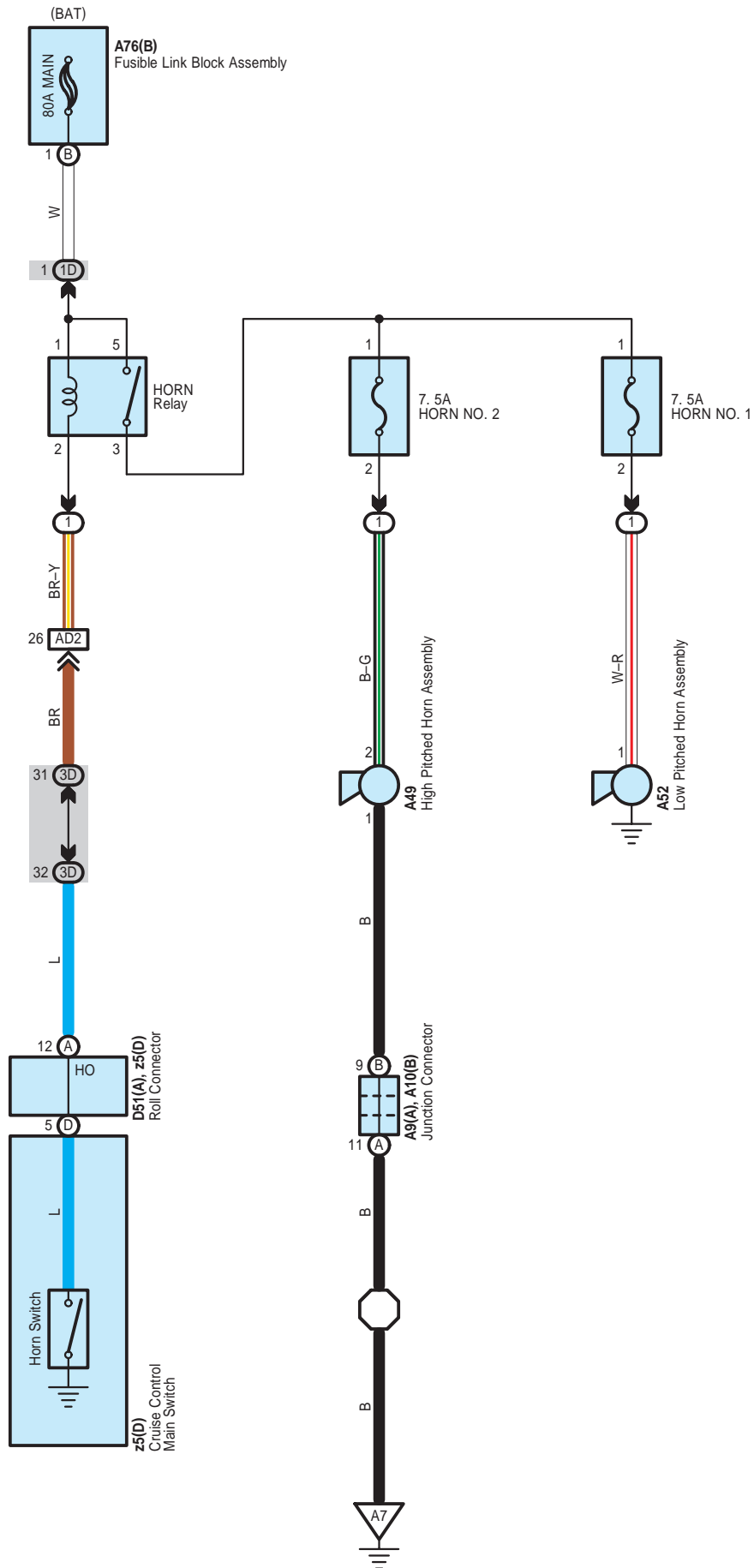
Code	See Page	Junction Block and Wire Harness (Connector Location)
3A	26	Instrument Panel Wire and Instrument Panel J/B Assembly (Instrument Panel Reinforcement)
3D		

□ : Connector Joining Wire Harness and Wire Harness

Code	See Page	Joining Wire Harness and Wire Harness (Connector Location)
GD2	47	No. 1 Floor Wire and Instrument Panel Wire (Cowl Side Panel RH)
HD1	47	No. 2 Floor Wire and Instrument Panel Wire (Cowl Side Panel LH)

▽ : Ground Points

Code	See Page	Ground Points Location
D1	47	Cowl Side Panel LH
D4	47	Cowl Side Panel RH
G1	48	Quarter Wheel House Panel RH
G2		
H3	48	Quarter Wheel House Panel LH



○ : Parts Location

Code		See Page	Code		See Page	Code		See Page
A9	A	42	A52		39	z5	D	42
A10	B	42	A76	B	36, 39			
A49		39	D51	A	41			

○ : Relay Blocks

Code	See Page	Relay Blocks (Relay Block Location)
1	24	Engine Room R/B (Engine Compartment Right)

○ : Junction Block and Wire Harness Connector

Code	See Page	Junction Block and Wire Harness (Connector Location)
1D	24	Engine Room Main Wire and Engine Room J/B (Engine Compartment Right)
3D	26	Instrument Panel Wire and Instrument Panel J/B Assembly (Instrument Panel Reinforcement)

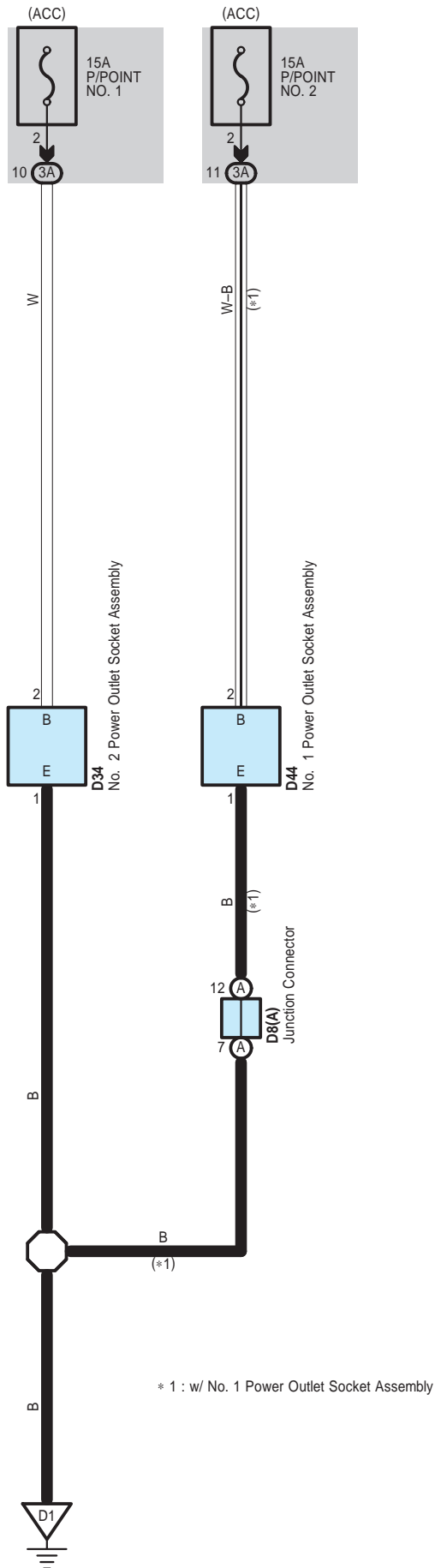
□ : Connector Joining Wire Harness and Wire Harness

Code	See Page	Joining Wire Harness and Wire Harness (Connector Location)
AD2	47	Engine Room Main Wire and Instrument Panel Wire (Cowl Side Panel RH)

▽ : Ground Points

Code	See Page	Ground Points Location
A7	46	Front Fender Apron RH

Power Outlet



○ : **Parts Location**

Code		See Page	Code		See Page	Code		See Page
D8	A	40	D34	40	D44	41		

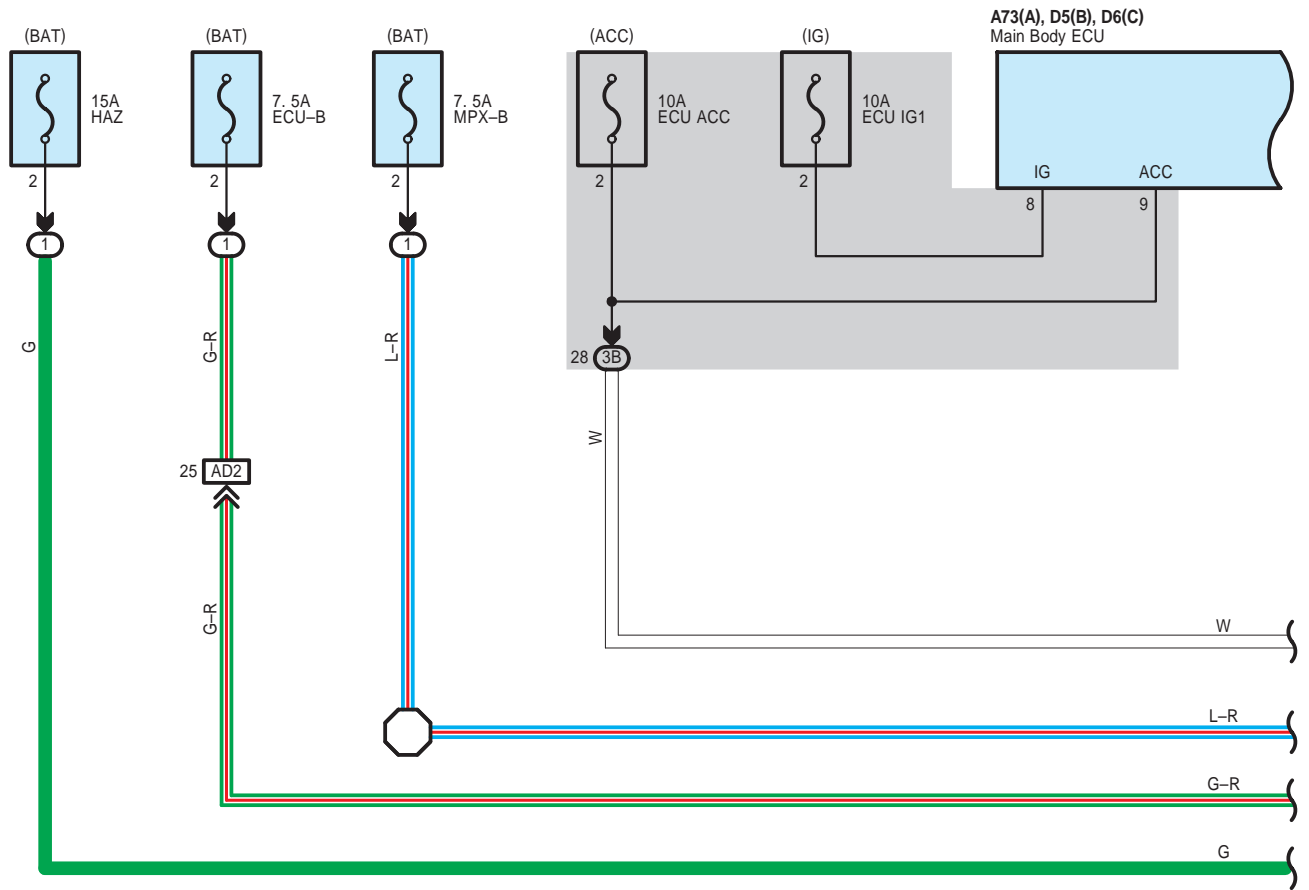
□ : **Junction Block and Wire Harness Connector**

Code	See Page	Junction Block and Wire Harness (Connector Location)
3A	26	Instrument Panel Wire and Instrument Panel J/B Assembly (Instrument Panel Reinforcement)

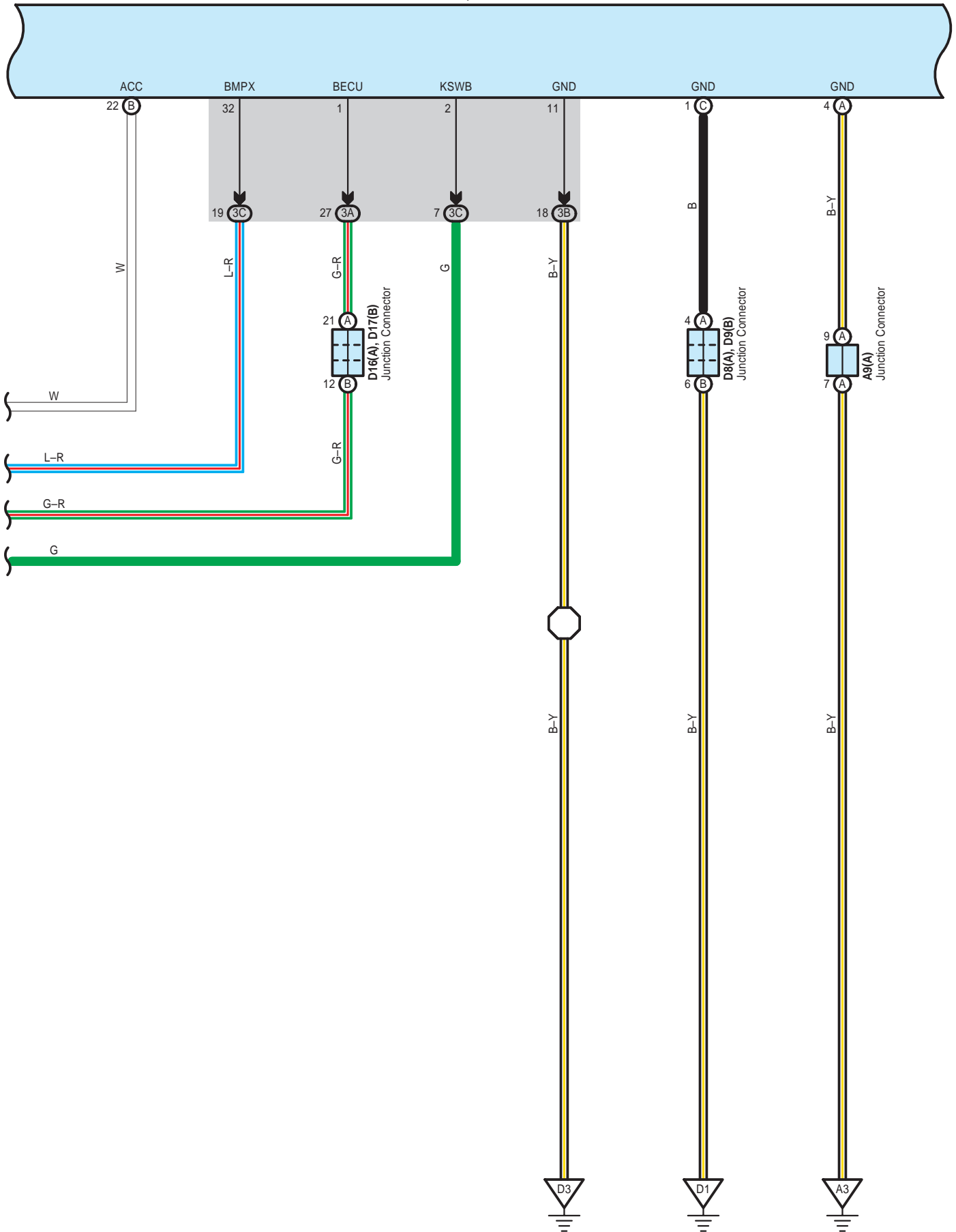
▽ : **Ground Points**

Code	See Page	Ground Points Location
D1	47	Cowl Side Panel LH

Theft Deterrent

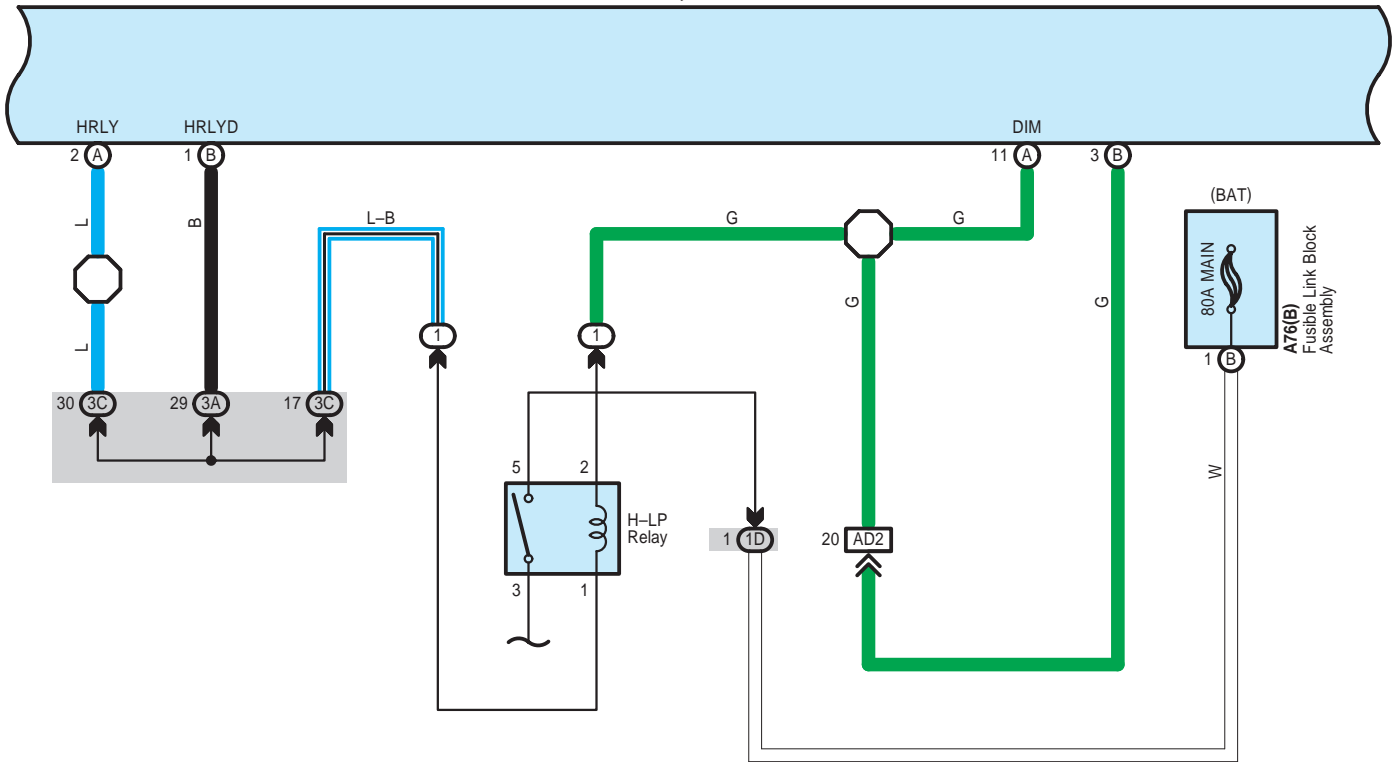


A73(A), D5(B), D6(C)
Main Body ECU

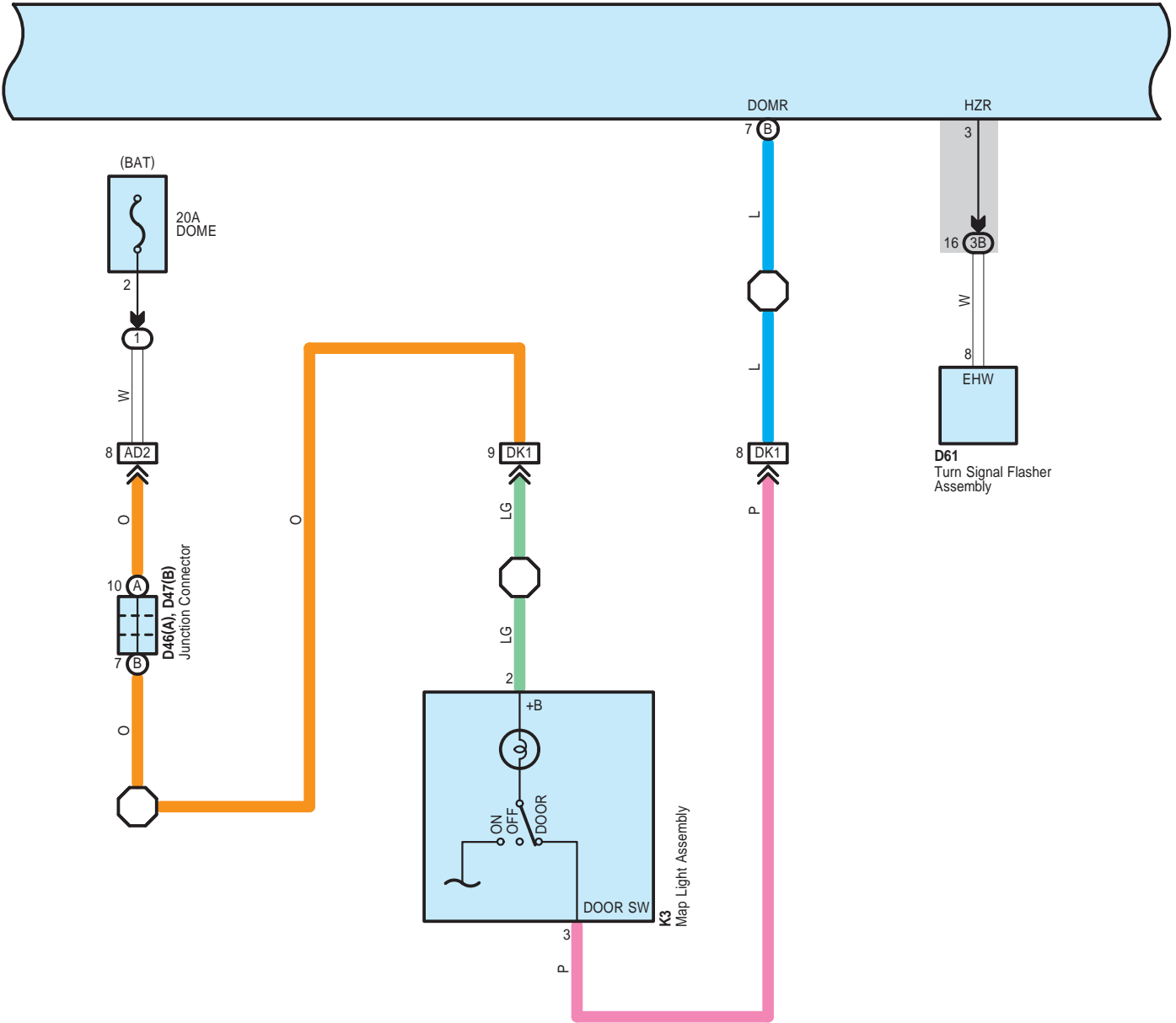


Theft Deterrent

A73(A), D5(B), D6(C)
Main Body ECU

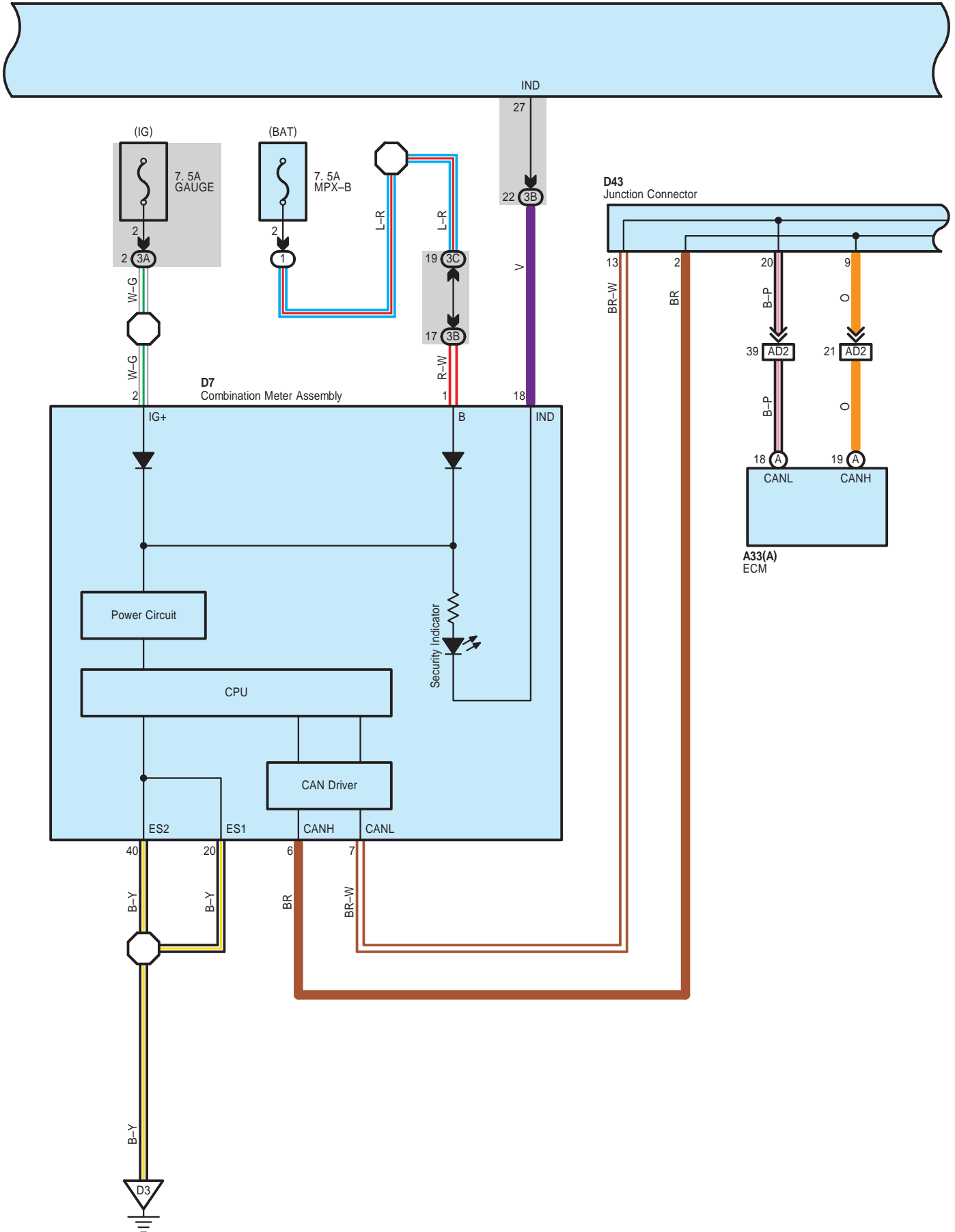


A73(A), D5(B), D6(C)
Main Body ECU

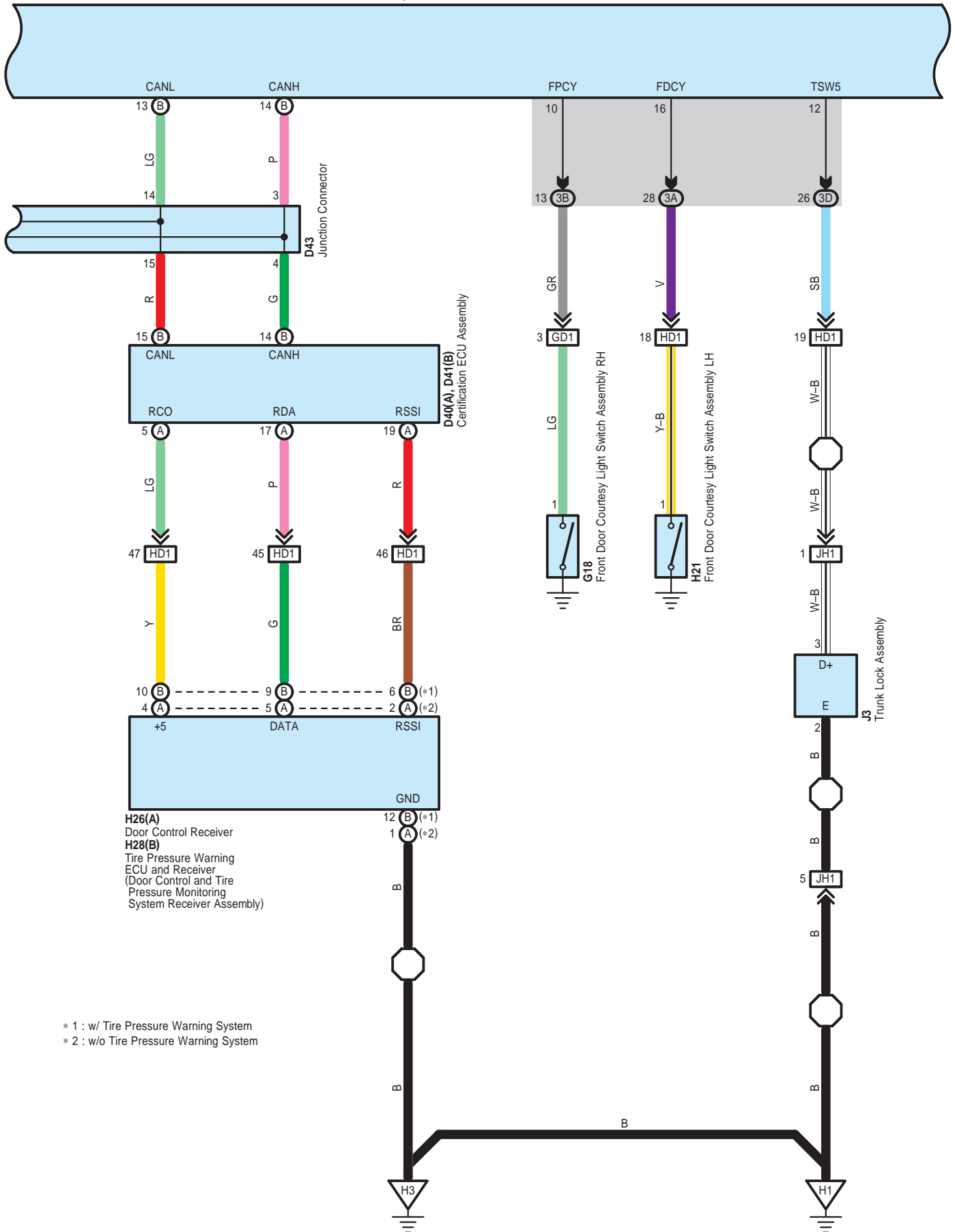


Theft Deterrent

A73(A), D5(B), D6(C)
Main Body ECU

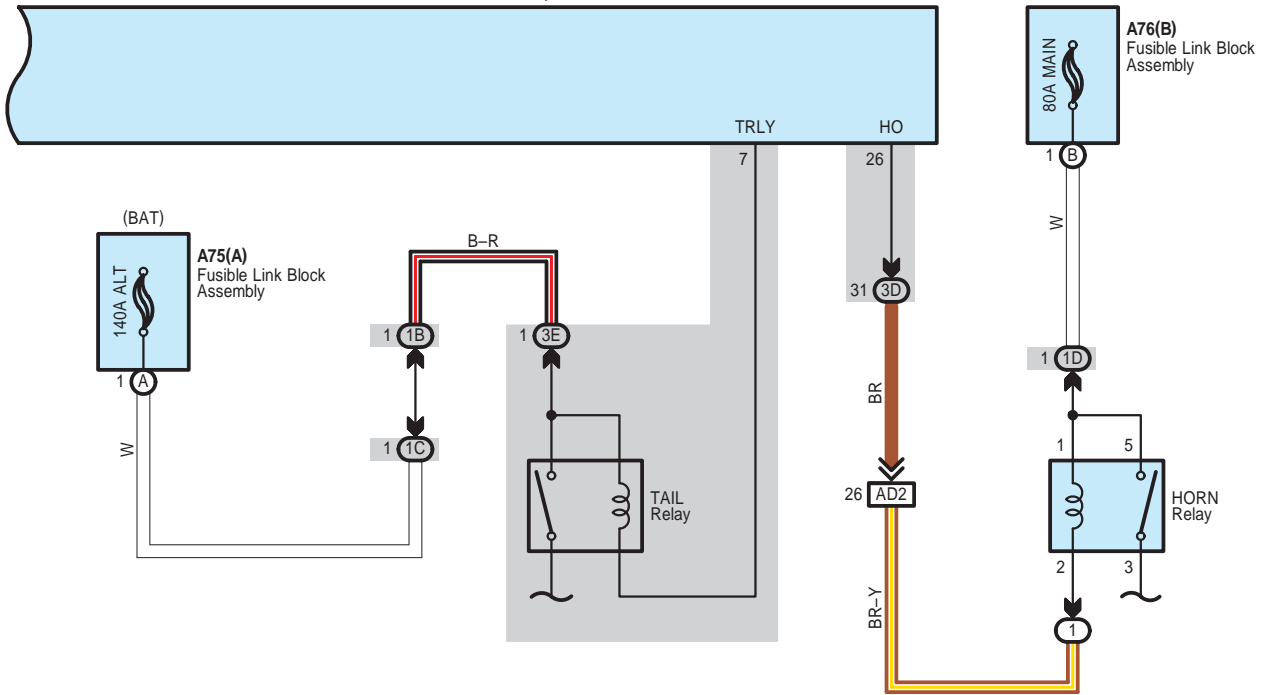


A73(A), D5(B), D6(C)
Main Body ECU



* 1 : w/ Tire Pressure Warning System
* 2 : w/o Tire Pressure Warning System

A73(A), D5(B), D6(C)
Main Body ECU



Theft Deterrent

○ : Parts Location

Code			See Page			Code			See Page			Code			See Page		
A9	A	42	D9	B	40	E3	A	44									
A33	A	42	D16	A	40	E8	A	44									
A73	A	42	D17	B	40	F3	B	44									
A75	A	36, 39	D40	A	41	G18		44									
A76	B	36, 39	D41	B	41	H21		45									
D5	B	40	D43		41	H26	A	45									
D6	C	40	D46	A	41	H28	B	45									
D7		40	D47	B	41	J3		45									
D8	A	40	D61		41	K3		45									

○ : Relay Blocks

Code	See Page	Relay Blocks (Relay Block Location)
1	24	Engine Room R/B (Engine Compartment Right)

○ : Junction Block and Wire Harness Connector

Code	See Page	Junction Block and Wire Harness (Connector Location)
1B	24	Engine Room Main Wire and Engine Room J/B (Engine Compartment Right)
1C		
1D		
3A	26	Instrument Panel Wire and Instrument Panel J/B Assembly (Instrument Panel Reinforcement)
3B		
3C	26	Engine Room Main Wire and Instrument Panel J/B Assembly (Instrument Panel Reinforcement)
3D	26	Instrument Panel Wire and Instrument Panel J/B Assembly (Instrument Panel Reinforcement)
3E	26	Engine Room Main Wire and Instrument Panel J/B Assembly (Instrument Panel Reinforcement)

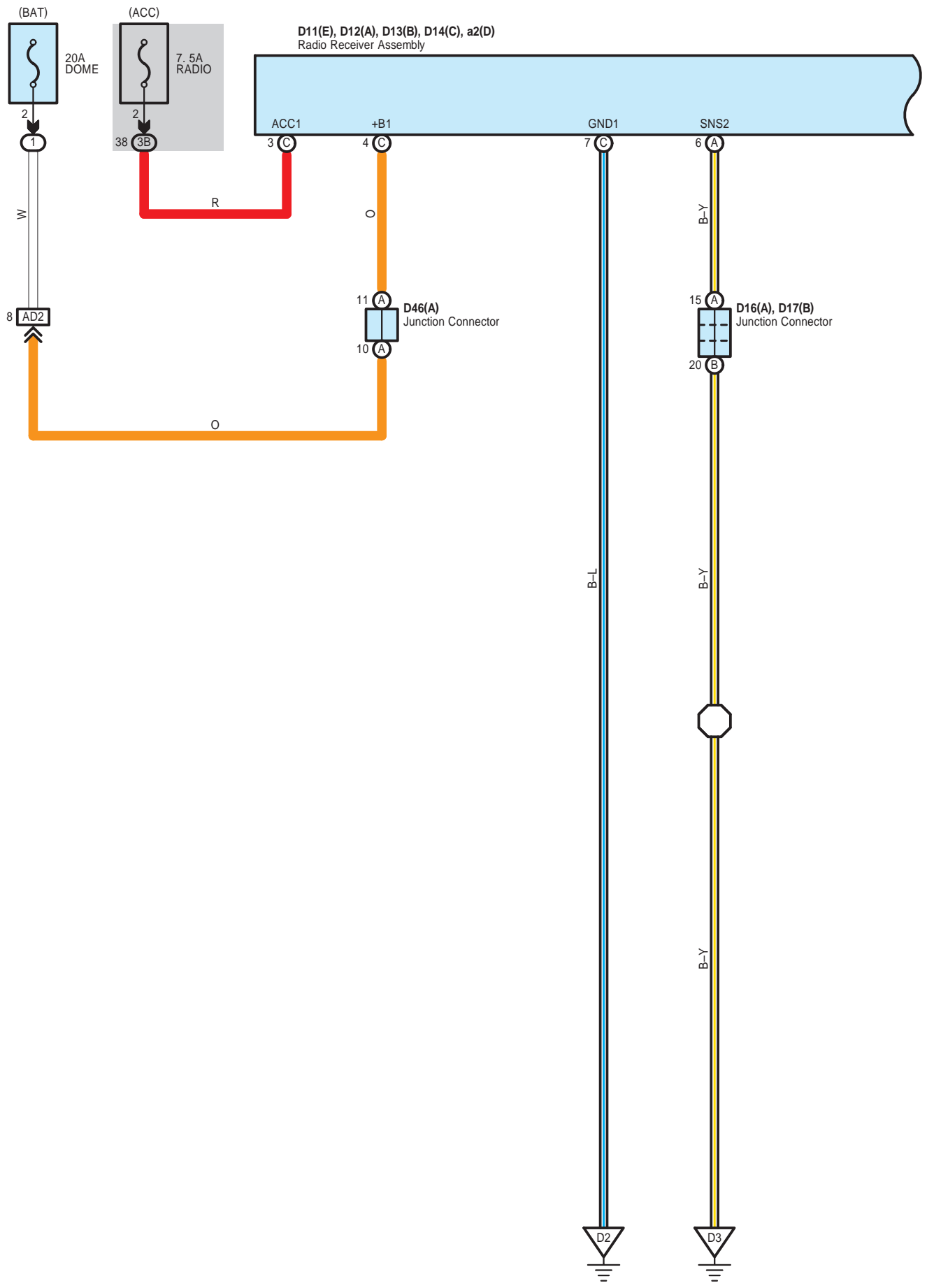
□ : Connector Joining Wire Harness and Wire Harness

Code	See Page	Joining Wire Harness and Wire Harness (Connector Location)
AD2	47	Engine Room Main Wire and Instrument Panel Wire (Cowl Side Panel RH)
DK1	47	Instrument Panel Wire and Roof Wire (Front Body Inner Pillar RH)
ED1	47	Front Door Wire LH and Instrument Panel Wire (Cowl Side Panel LH)
ED2		
FD1	47	Front Door Wire RH and Instrument Panel Wire (Cowl Side Panel RH)
FD2		
GD1	47	No. 1 Floor Wire and Instrument Panel Wire (Cowl Side Panel RH)
HD1	47	No. 2 Floor Wire and Instrument Panel Wire (Cowl Side Panel LH)
JH1	48	Trunk Wire and No. 2 Floor Wire (Quarter Panel LH)

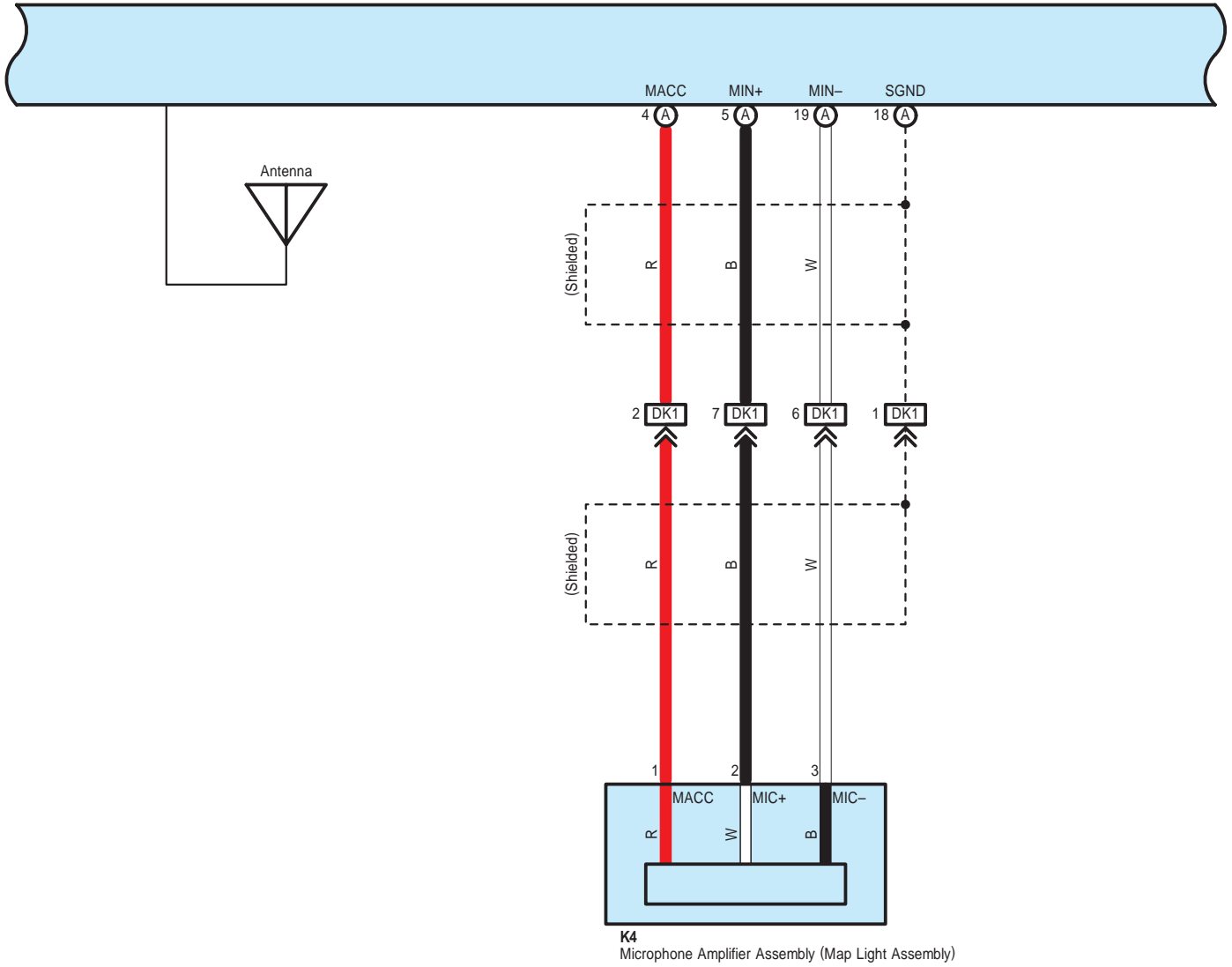
▽ : Ground Points

Code	See Page	Ground Points Location
A3	47	Cowl Side Panel RH
D1	47	Cowl Side Panel LH
D3	47	Instrument Panel Brace RH
D4	47	Cowl Side Panel RH
H1	48	Lower Back Panel
H3	48	Quarter Wheel House Panel LH

Audio System



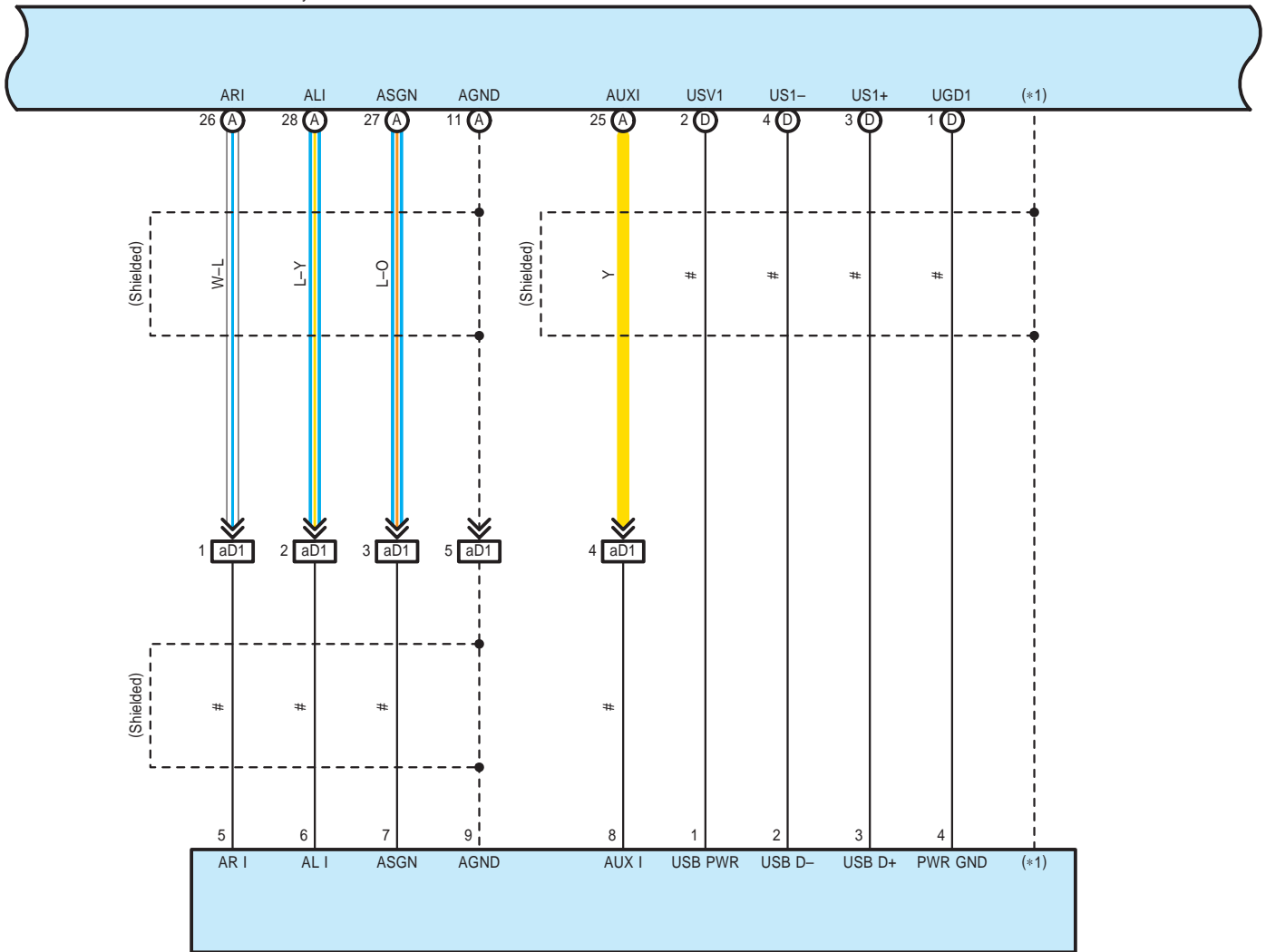
D11(E), D12(A), D13(B), D14(C), a2(D)
Radio Receiver Assembly



K4
Microphone Amplifier Assembly (Map Light Assembly)

Audio System

D11(E), D12(A), D13(B), D14(C), a2(D)
Radio Receiver Assembly

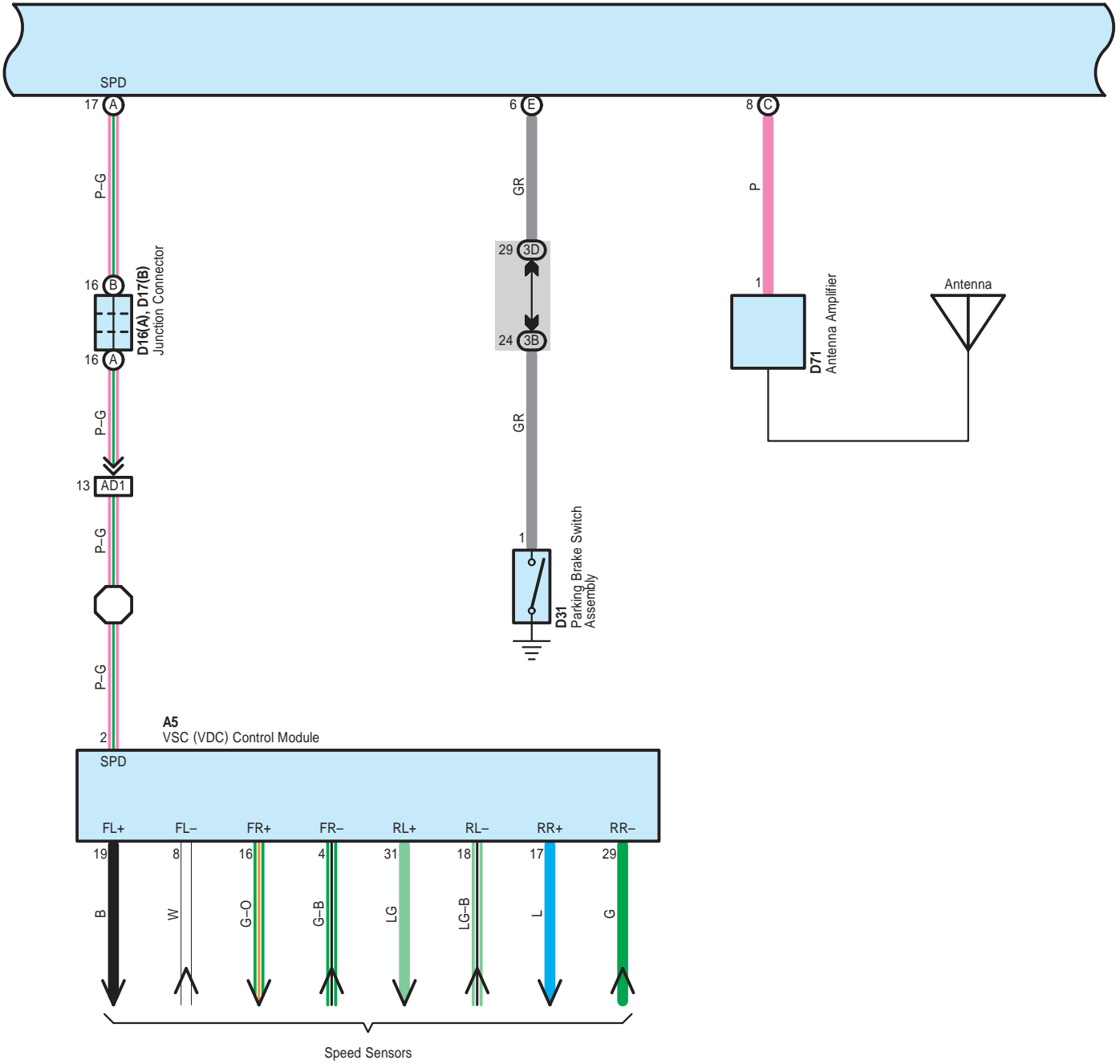


a1
No. 1 Stereo Jack Adapter Assembly

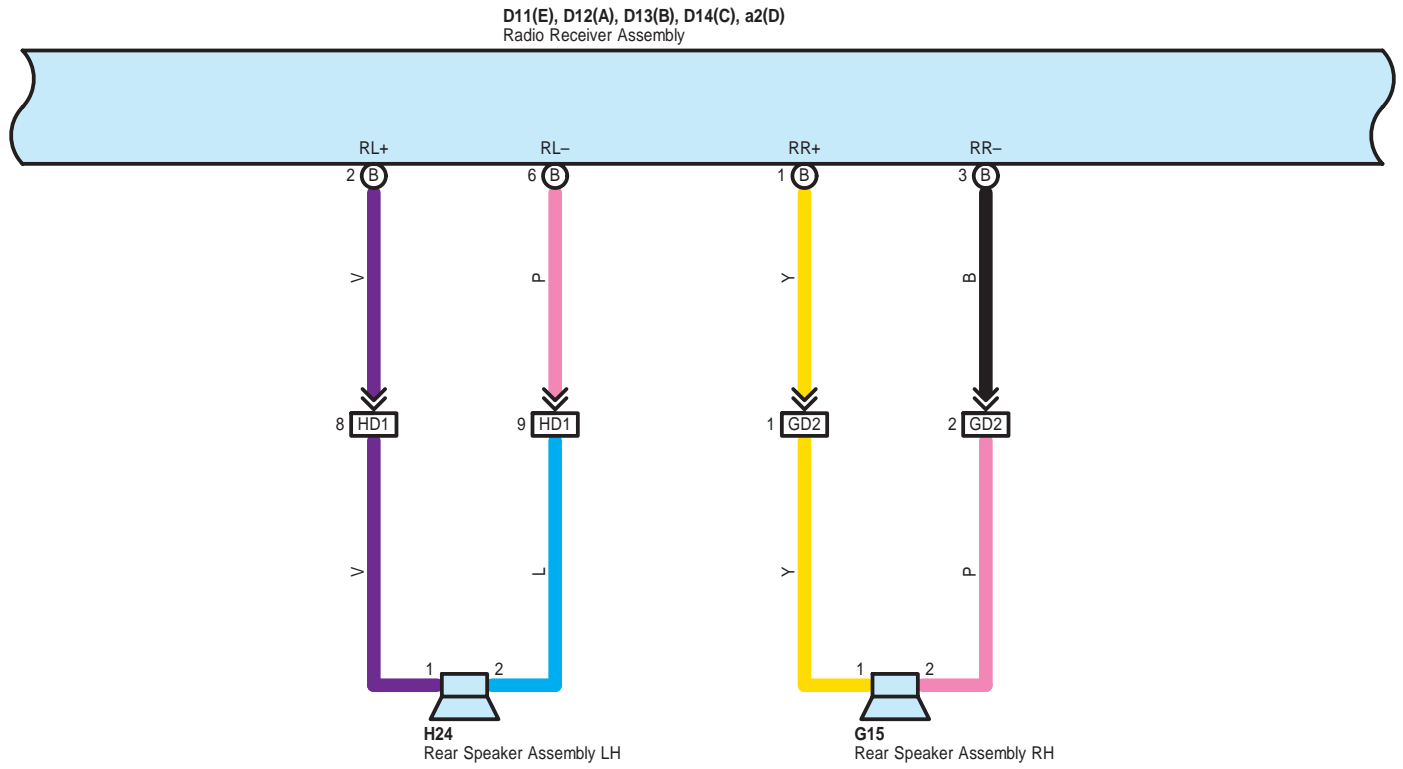
: There is no wire color information.

* 1 : Shielded Connector

D11(E), D12(A), D13(B), D14(C), a2(D)
Radio Receiver Assembly



Audio System



D11(E), D12(A), D13(B), D14(C), a2(D)
Radio Receiver Assembly



AMP

9 (C)

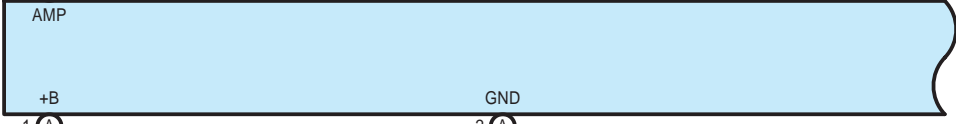


1 (HD2)



8 (B)

H13(A), H14(B)
Stereo Component Amplifier Assembly

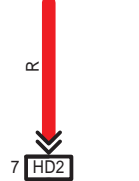
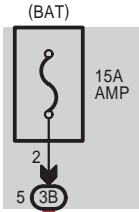


+B

1 (A)

GND

2 (A)



B

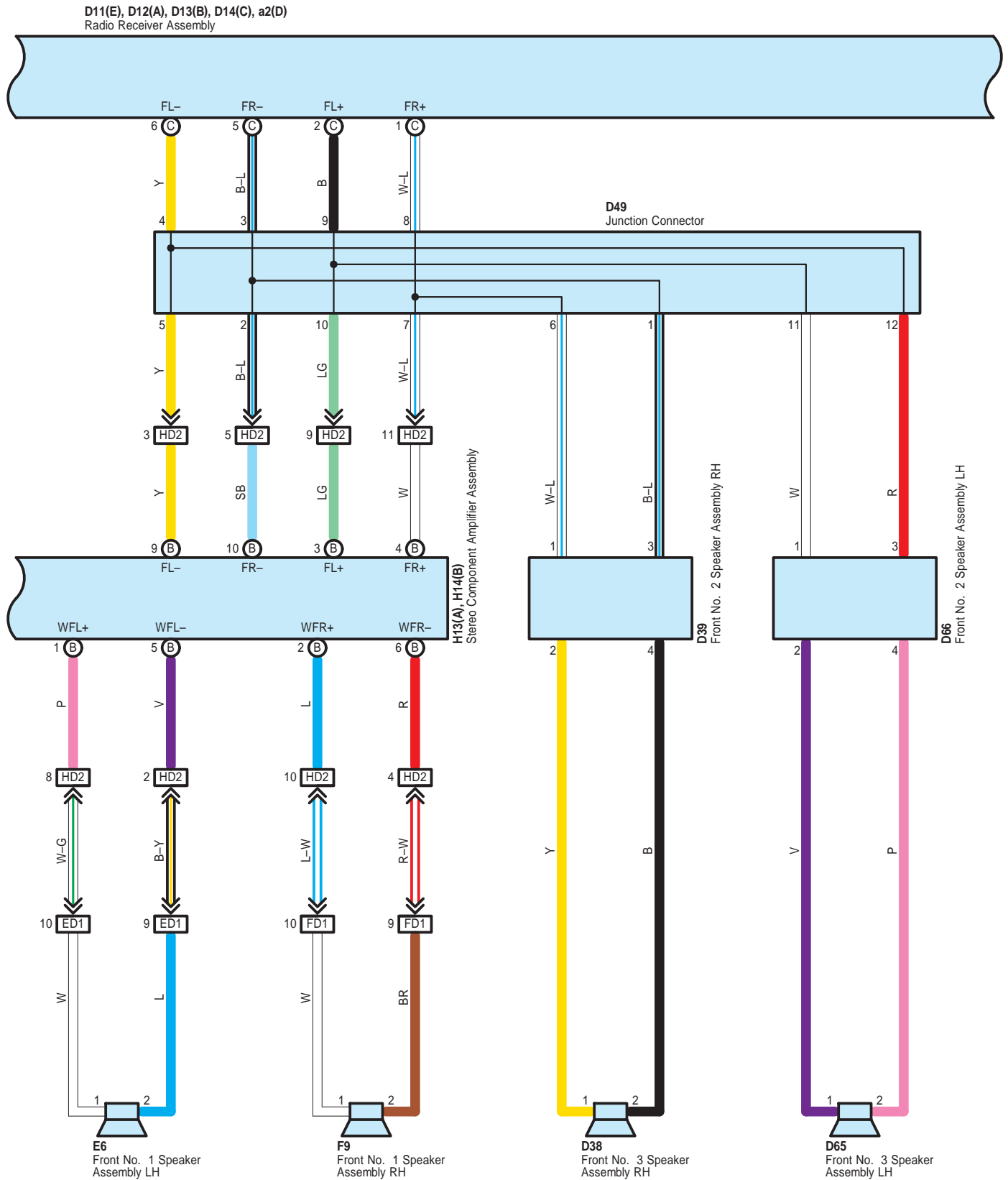


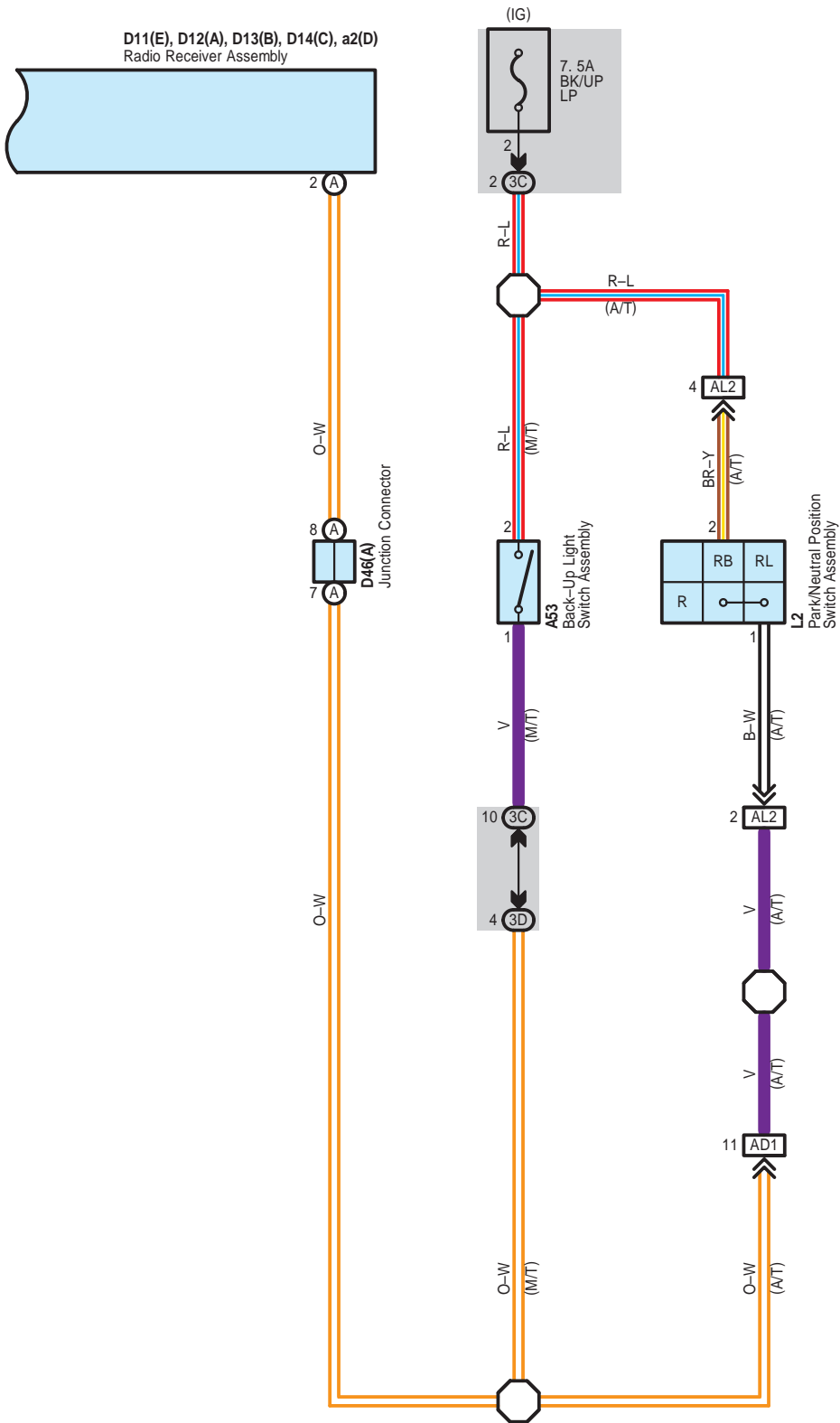
B



H1

Audio System





Audio System

: Parts Location

Code	See Page	Code	See Page	Code	See Page
A5	39	D38	40	G15	44
A53	39	D39	40	H13	A 45
D11	E 40	D46	A 41	H14	B 45
D12	A 40	D49	41	H24	45
D13	B 40	D65	41	K4	45
D14	C 40	D66	41	L2	39
D16	A 40	D71	41	a1	42
D17	B 40	E6	44	a2	D 42
D31	40	F9	44		

: Relay Blocks

Code	See Page	Relay Blocks (Relay Block Location)
1	24	Engine Room R/B (Engine Compartment Right)

: Junction Block and Wire Harness Connector

Code	See Page	Junction Block and Wire Harness (Connector Location)
3B	26	Instrument Panel Wire and Instrument Panel J/B Assembly (Instrument Panel Reinforcement)
3C	26	Engine Room Main Wire and Instrument Panel J/B Assembly (Instrument Panel Reinforcement)
3D	26	Instrument Panel Wire and Instrument Panel J/B Assembly (Instrument Panel Reinforcement)

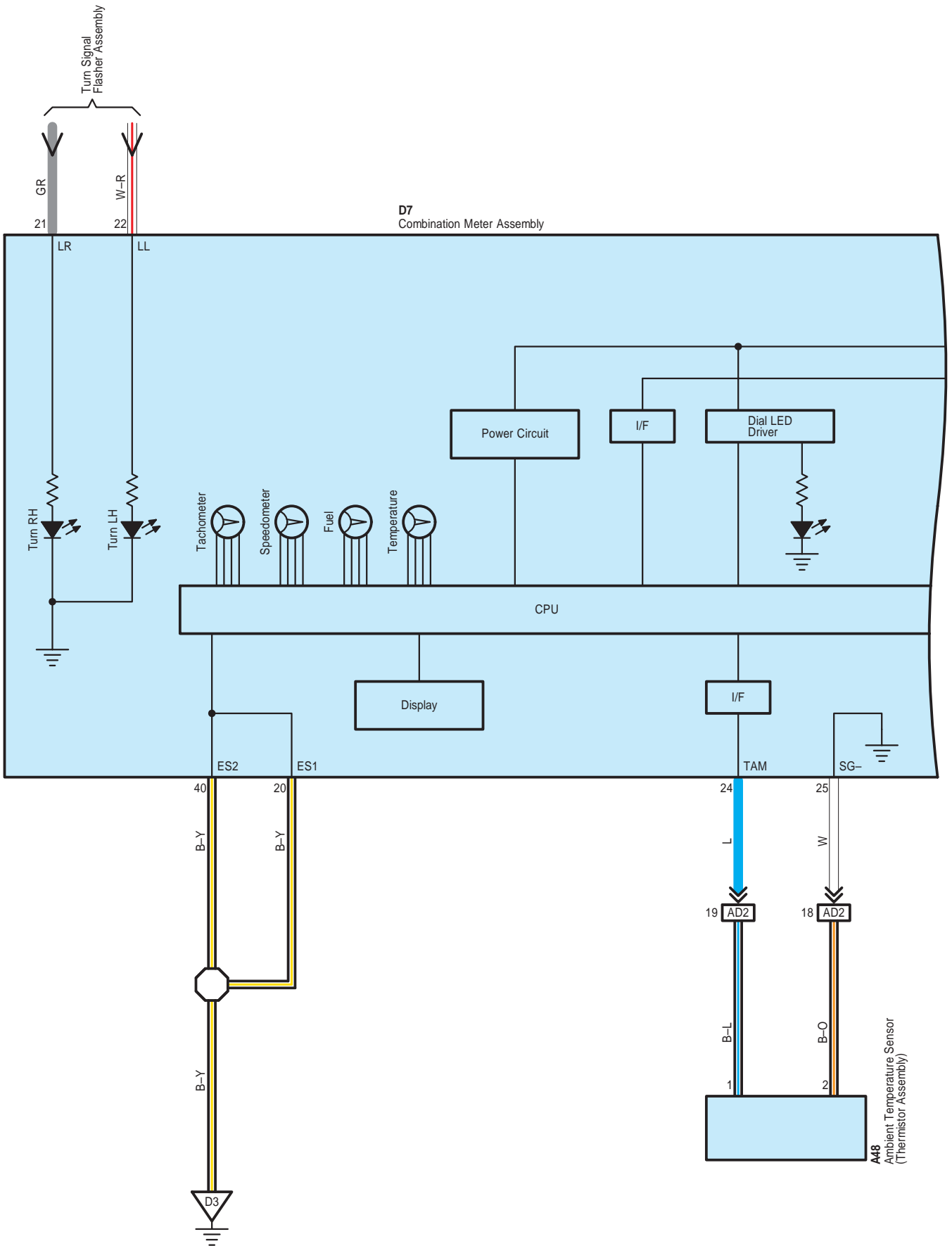
: Connector Joining Wire Harness and Wire Harness

Code	See Page	Joining Wire Harness and Wire Harness (Connector Location)
AD1	47	Engine Room Main Wire and Instrument Panel Wire (Cowl Side Panel LH)
AD2	47	Engine Room Main Wire and Instrument Panel Wire (Cowl Side Panel RH)
AL2	46	Engine Room Main Wire and Transmission Wire (Dash Panel)
DK1	47	Instrument Panel Wire and Roof Wire (Front Body Inner Pillar RH)
ED1	47	Front Door Wire LH and Instrument Panel Wire (Cowl Side Panel LH)
FD1	47	Front Door Wire RH and Instrument Panel Wire (Cowl Side Panel RH)
GD2	47	No. 1 Floor Wire and Instrument Panel Wire (Cowl Side Panel RH)
HD1	47	No. 2 Floor Wire and Instrument Panel Wire (Cowl Side Panel LH)
HD2		
aD1	47	Instrument Panel Wire Assembly and Instrument Panel Wire (Around A/C Unit)

: Ground Points

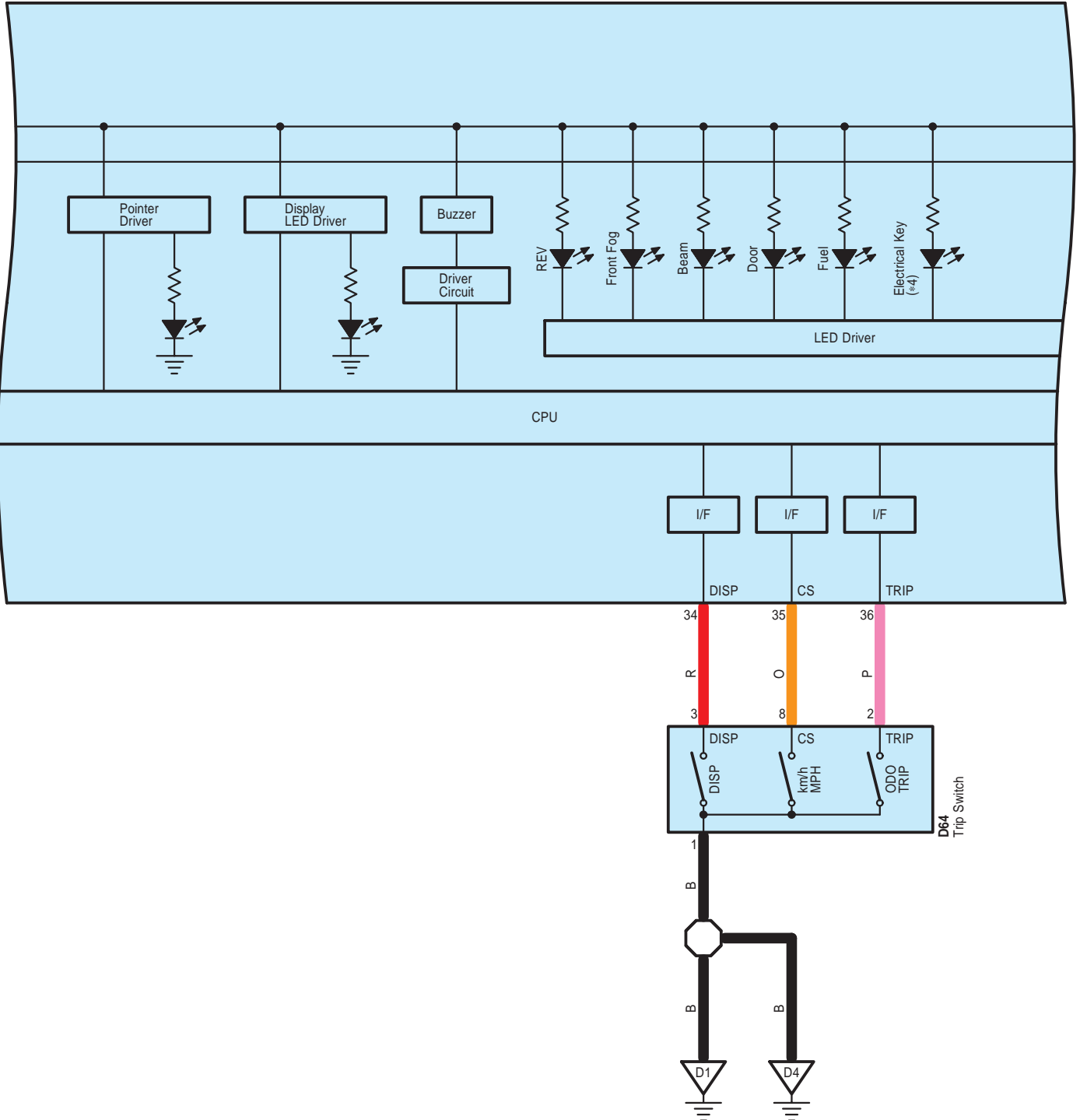
Code	See Page	Ground Points Location
D2	47	Instrument Panel Brace LH
D3	47	Instrument Panel Brace RH
H1	48	Lower Back Panel

Combination Meter

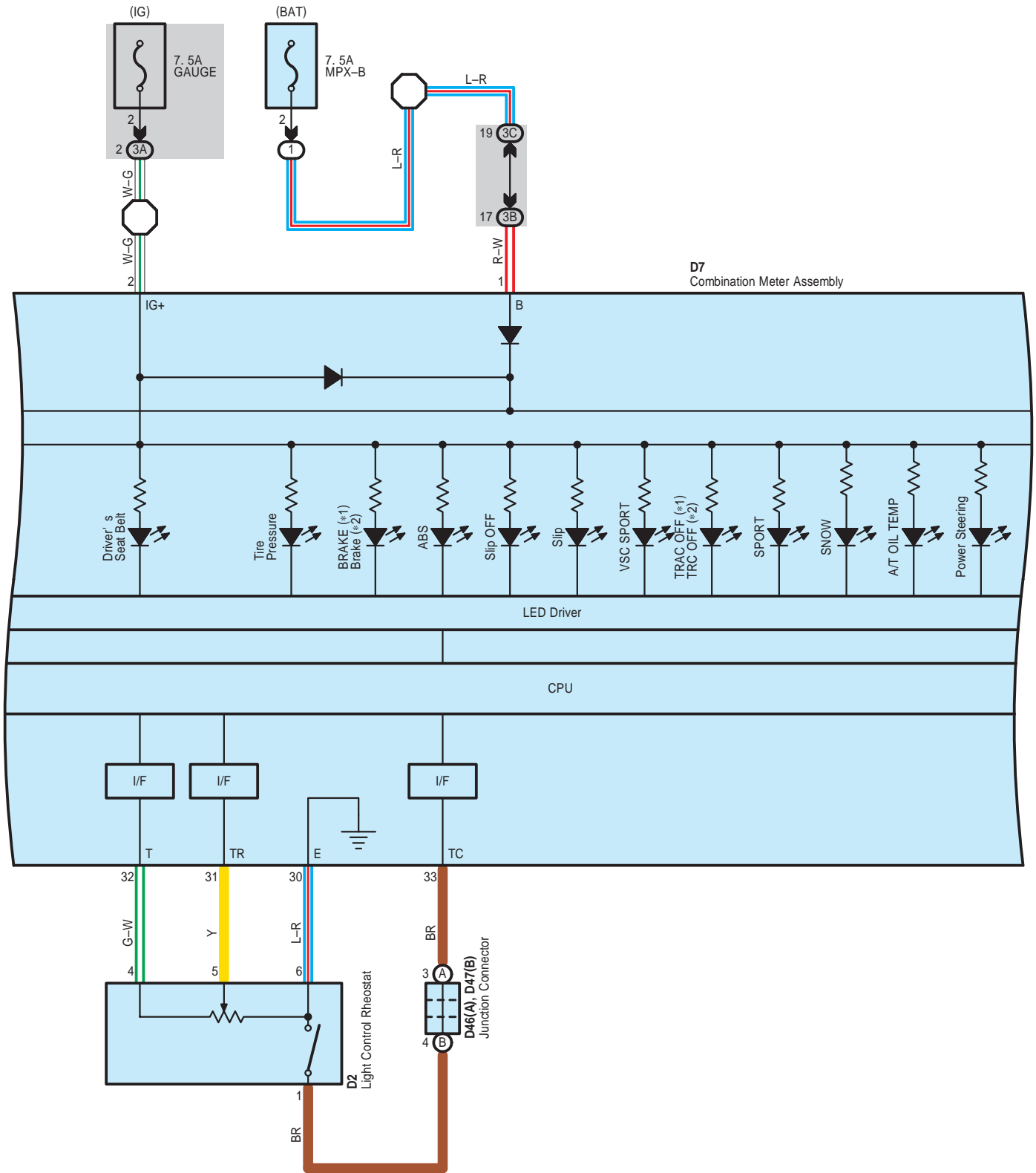


* 4 : w/ Smart Entry & Start System

D7
Combination Meter Assembly

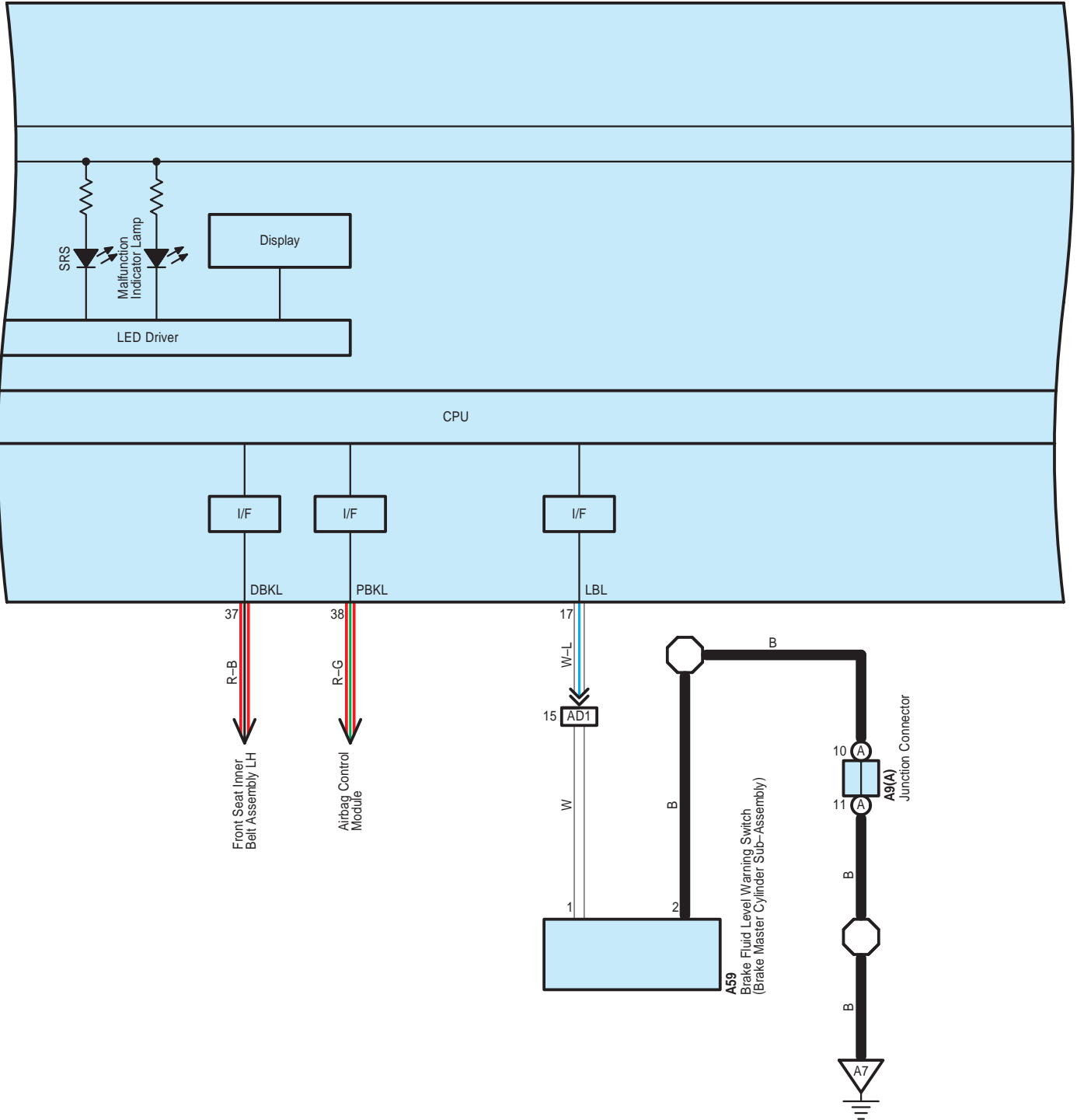


Combination Meter



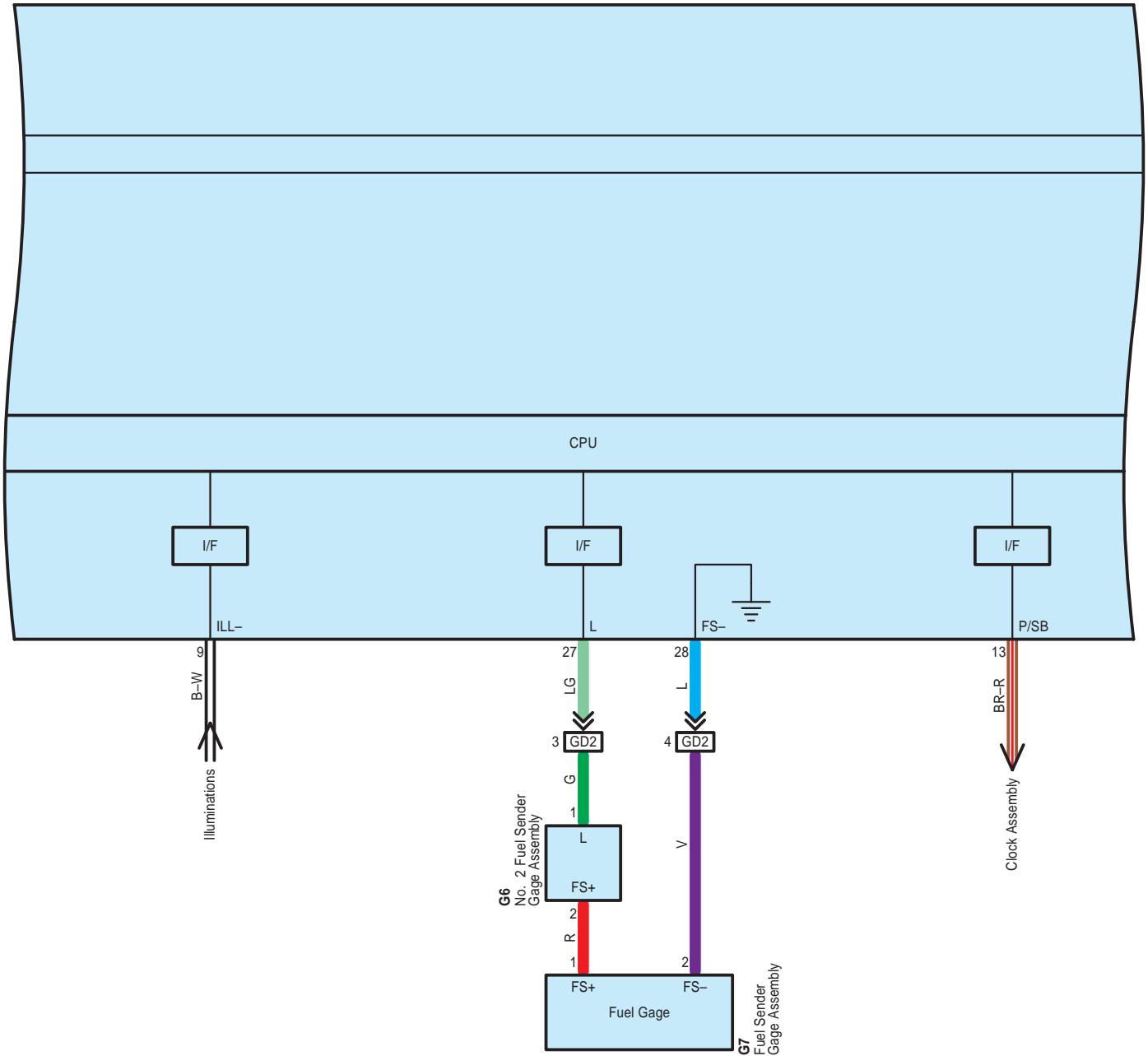
* 1 : USA
 * 2 : Except USA

D7
 Combination Meter Assembly

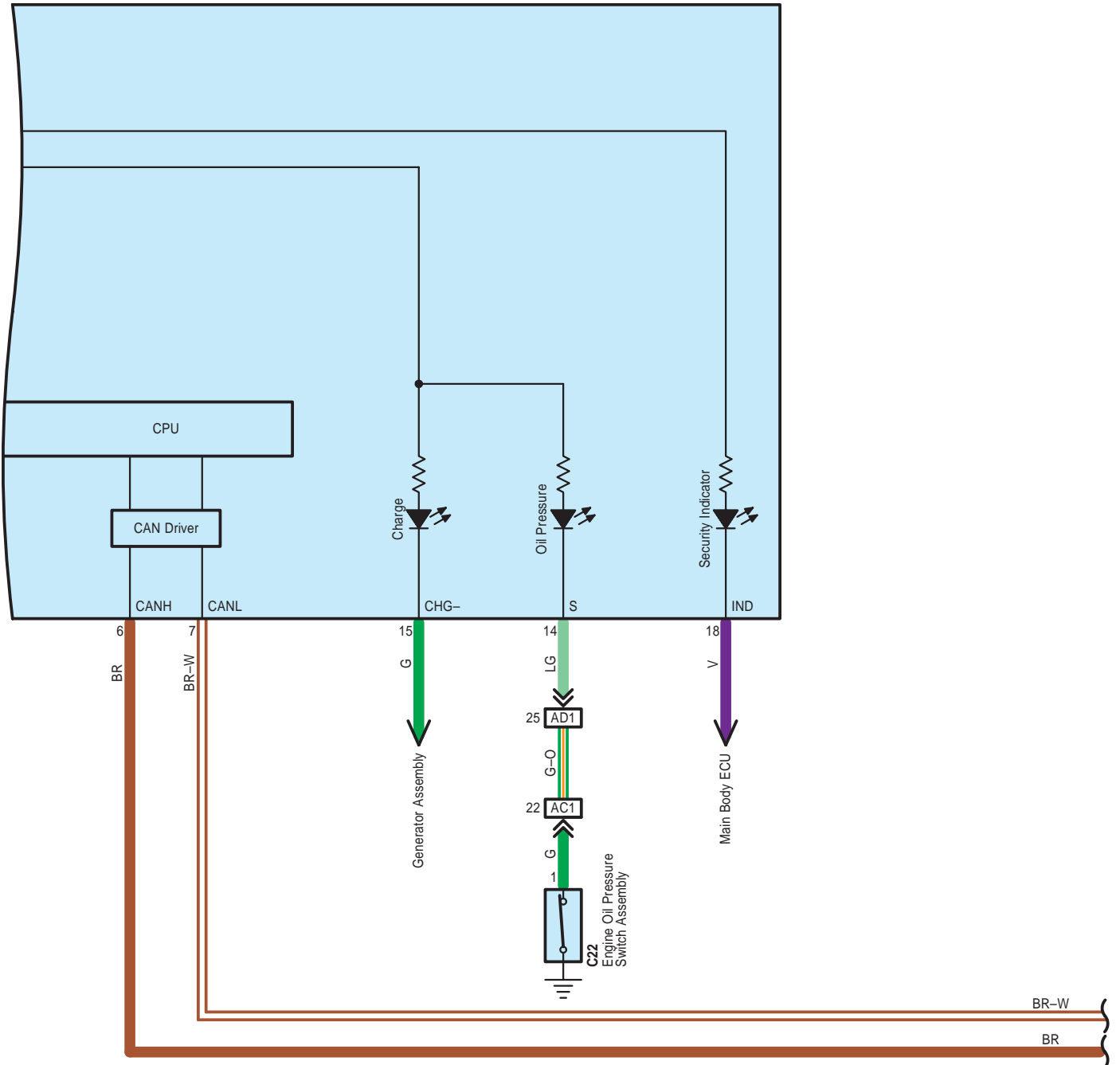


Combination Meter

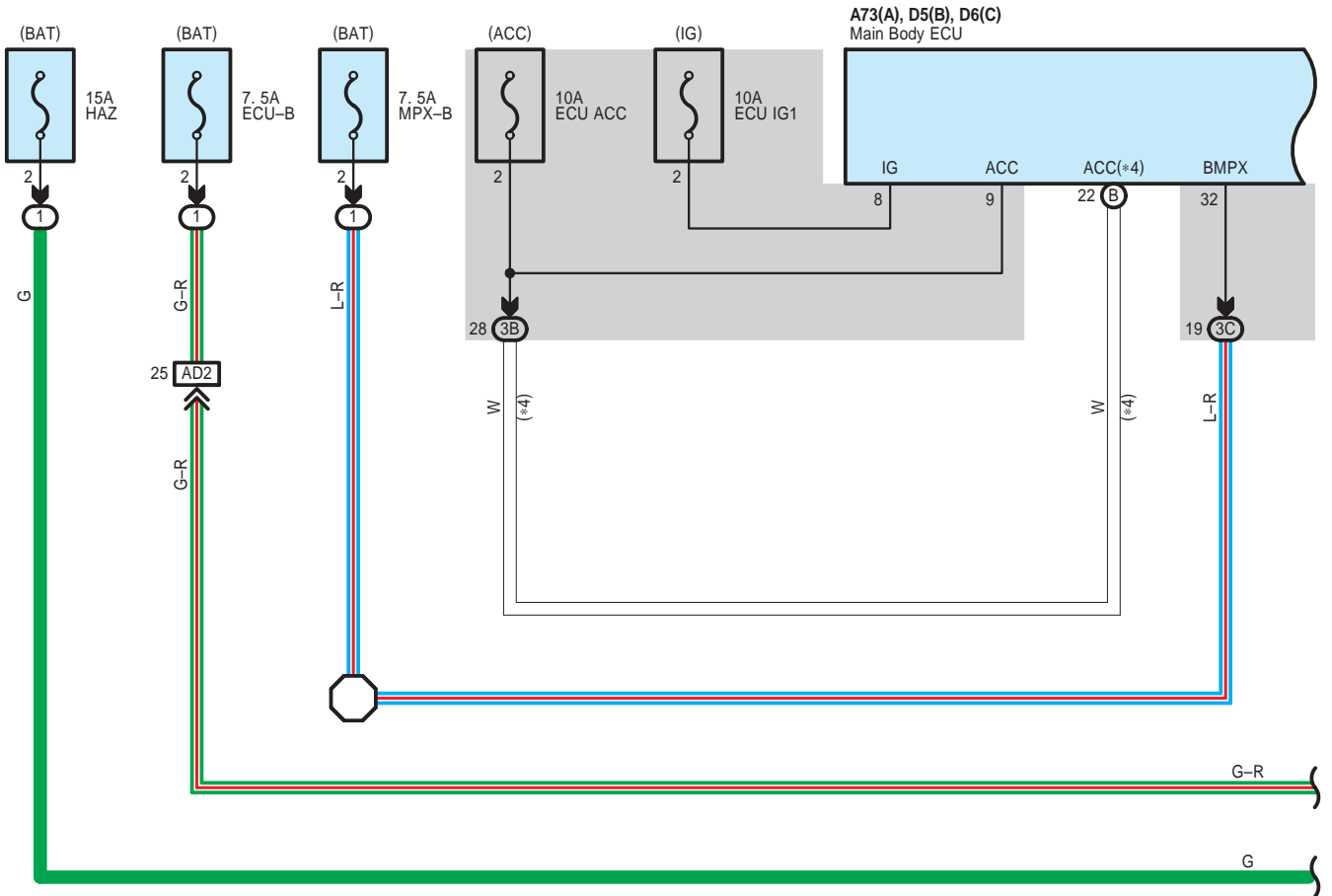
D7
Combination Meter Assembly



D7
Combination Meter Assembly



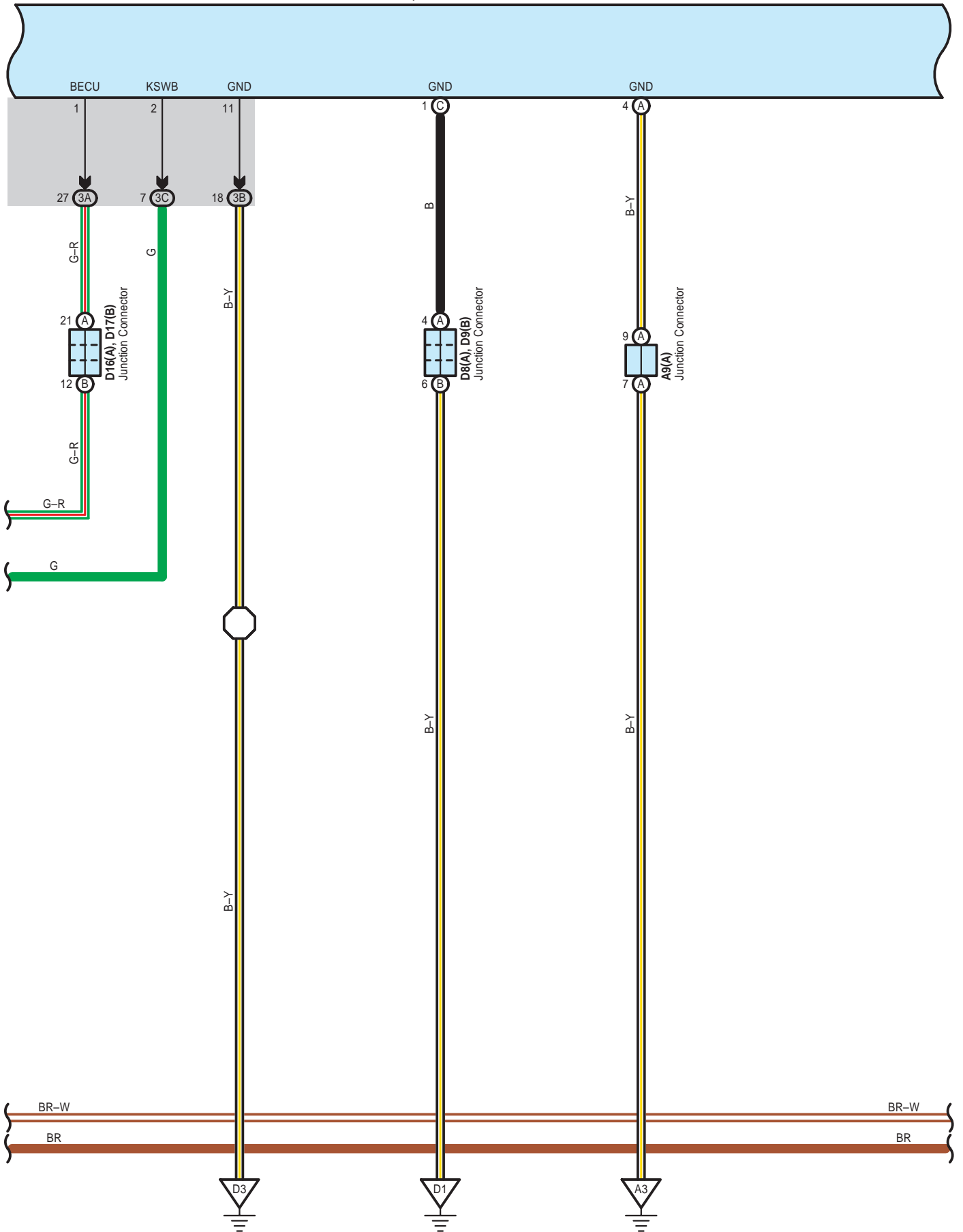
Combination Meter



* 4 : w/ Smart Entry & Start System

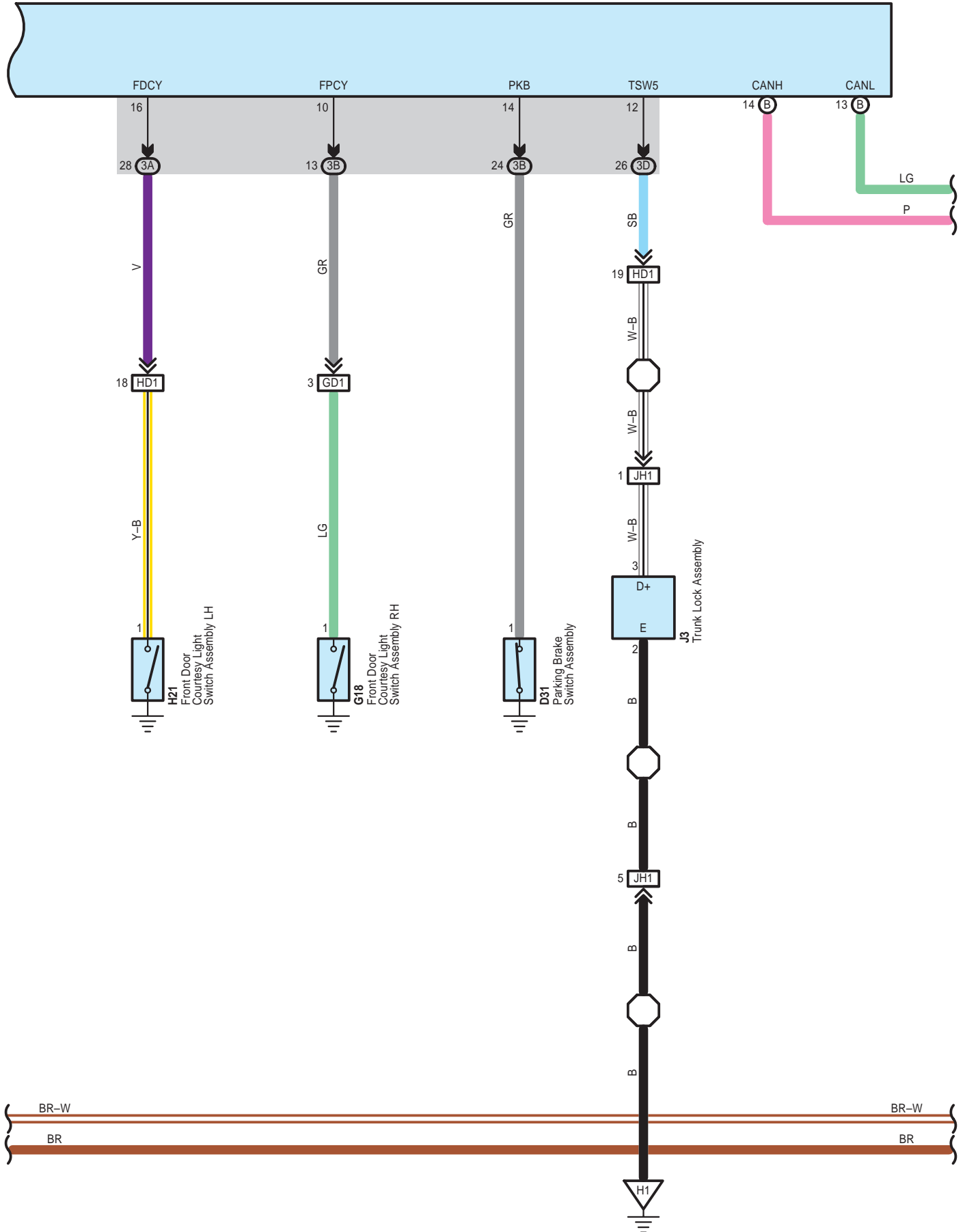


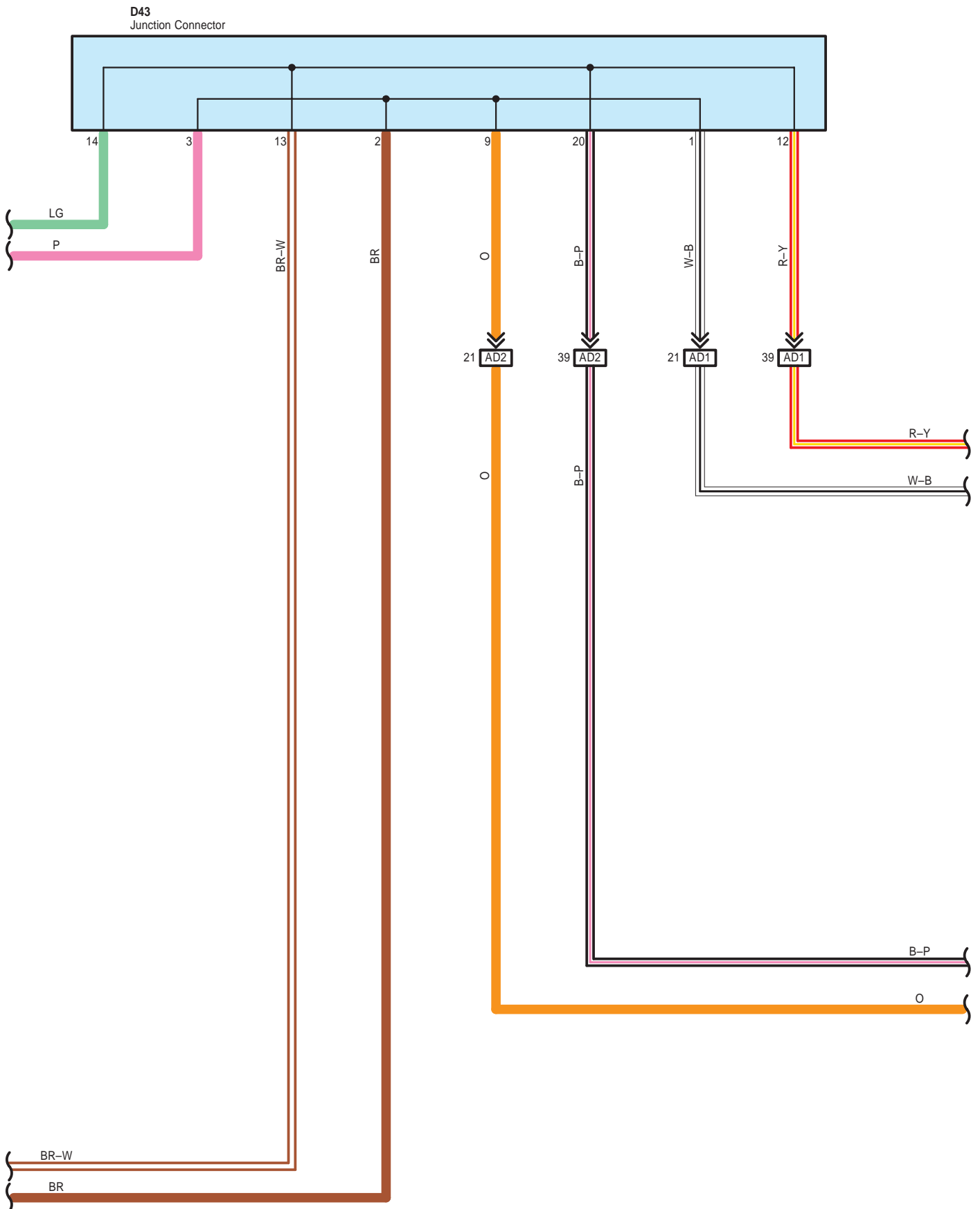
A73(A), D5(B), D6(C)
Main Body ECU



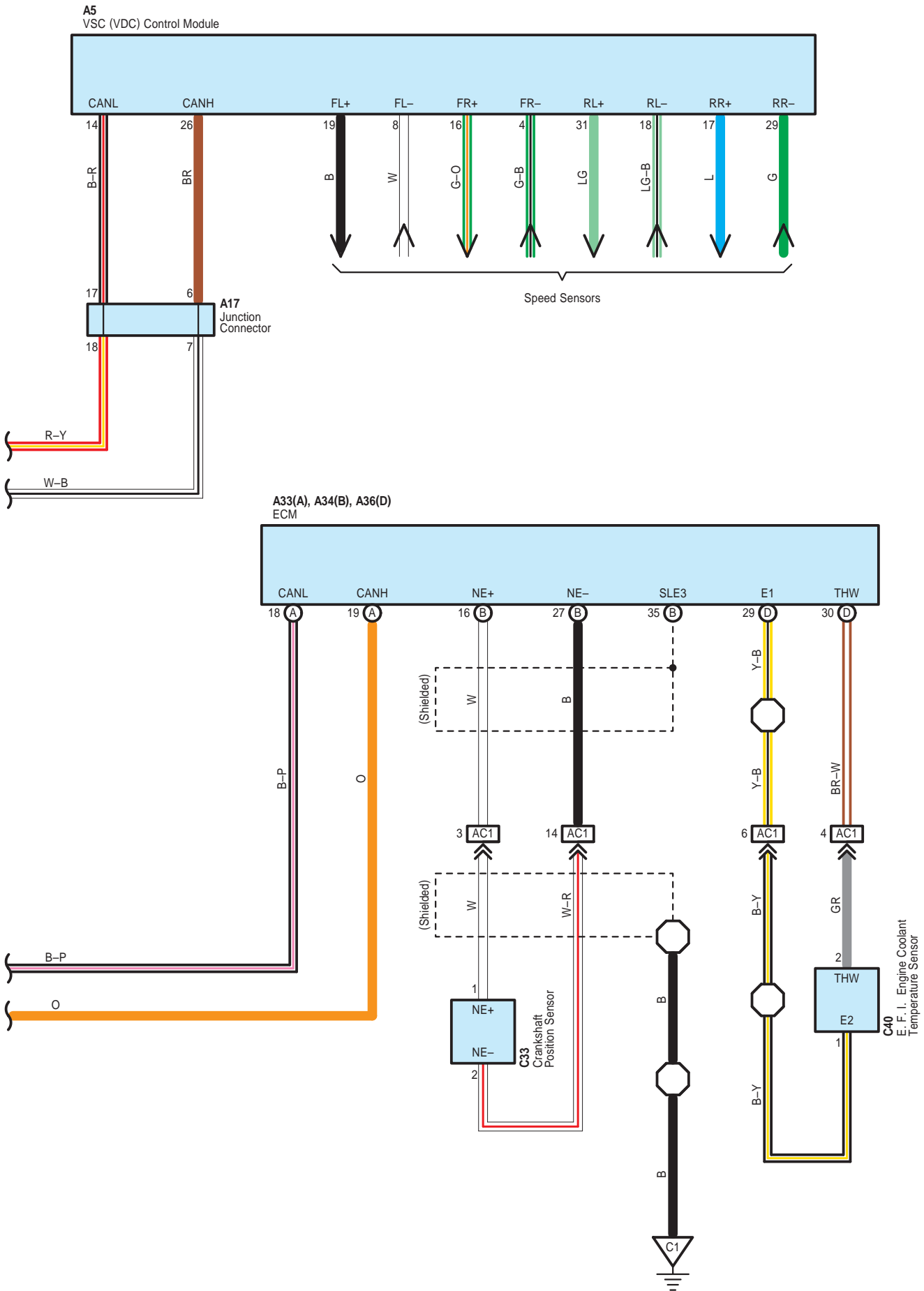
Combination Meter

A73(A), D5(B), D6(C)
Main Body ECU





Combination Meter



○ : Parts Location

Code	See Page	Code	See Page	Code	See Page
A5	39	C33	38	D31	40
A9 A	42	C40	38	D43	41
A17	42	D2	40	D46 A	41
A33 A	42	D5 B	40	D47 B	41
A34 B	42	D6 C	40	D64	41
A36 D	42	D7	40	G6	44
A48	39	D8 A	40	G7	44
A59	39	D9 B	40	G18	44
A73 A	42	D16 A	40	H21	45
C22	38	D17 B	40	J3	45

○ : Relay Blocks

Code	See Page	Relay Blocks (Relay Block Location)
1	24	Engine Room R/B (Engine Compartment Right)

○ : Junction Block and Wire Harness Connector

Code	See Page	Junction Block and Wire Harness (Connector Location)
3A	26	Instrument Panel Wire and Instrument Panel J/B Assembly (Instrument Panel Reinforcement)
3B		
3C	26	Engine Room Main Wire and Instrument Panel J/B Assembly (Instrument Panel Reinforcement)
3D	26	Instrument Panel Wire and Instrument Panel J/B Assembly (Instrument Panel Reinforcement)

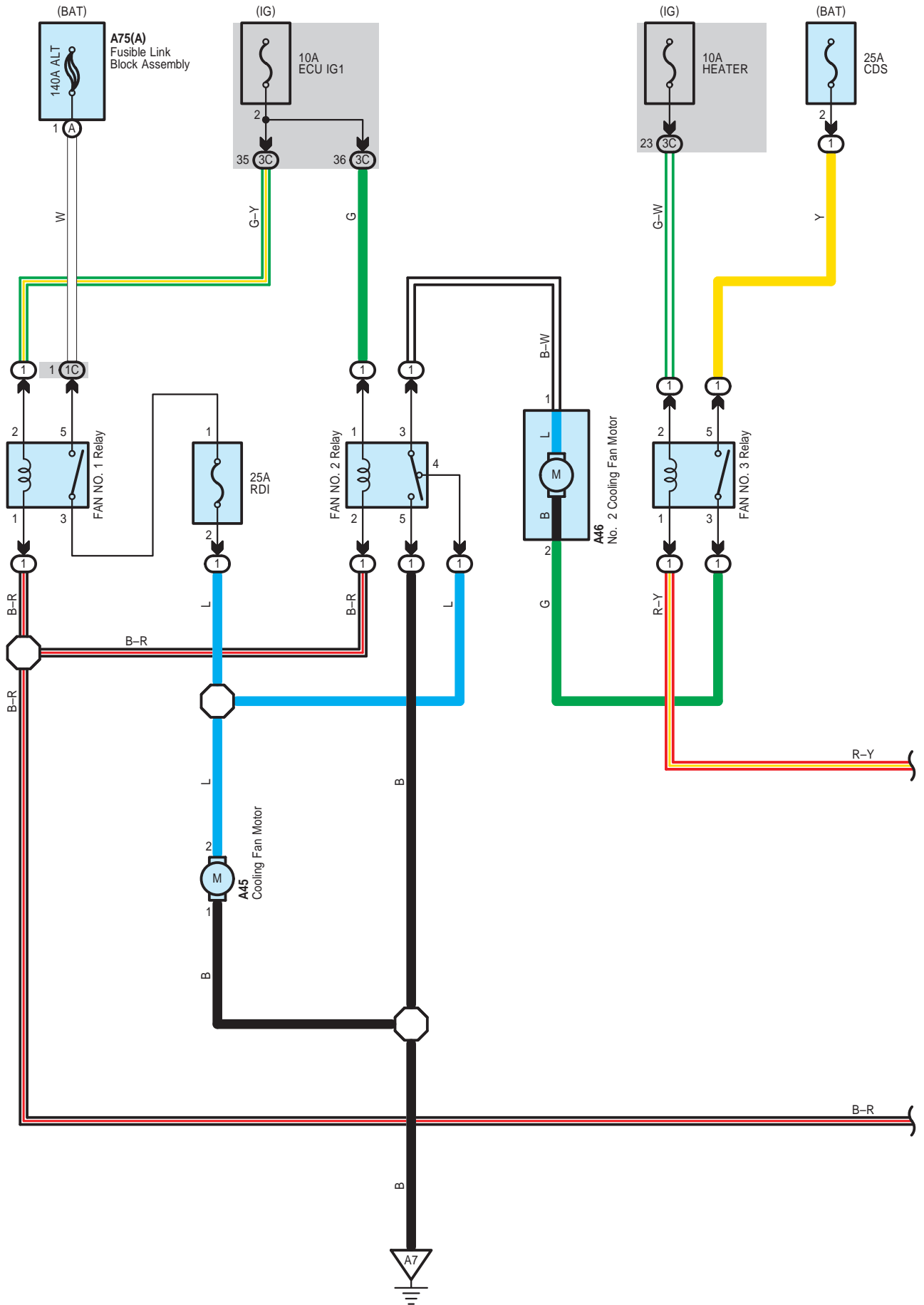
□ : Connector Joining Wire Harness and Wire Harness

Code	See Page	Joining Wire Harness and Wire Harness (Connector Location)
AC1	46	Engine Room Main Wire and Engine Wire (Engine Unit)
AD1	47	Engine Room Main Wire and Instrument Panel Wire (Cowl Side Panel LH)
AD2	47	Engine Room Main Wire and Instrument Panel Wire (Cowl Side Panel RH)
GD1	47	No. 1 Floor Wire and Instrument Panel Wire (Cowl Side Panel RH)
GD2		
HD1	47	No. 2 Floor Wire and Instrument Panel Wire (Cowl Side Panel LH)
JH1	48	Trunk Wire and No. 2 Floor Wire (Quarter Panel LH)

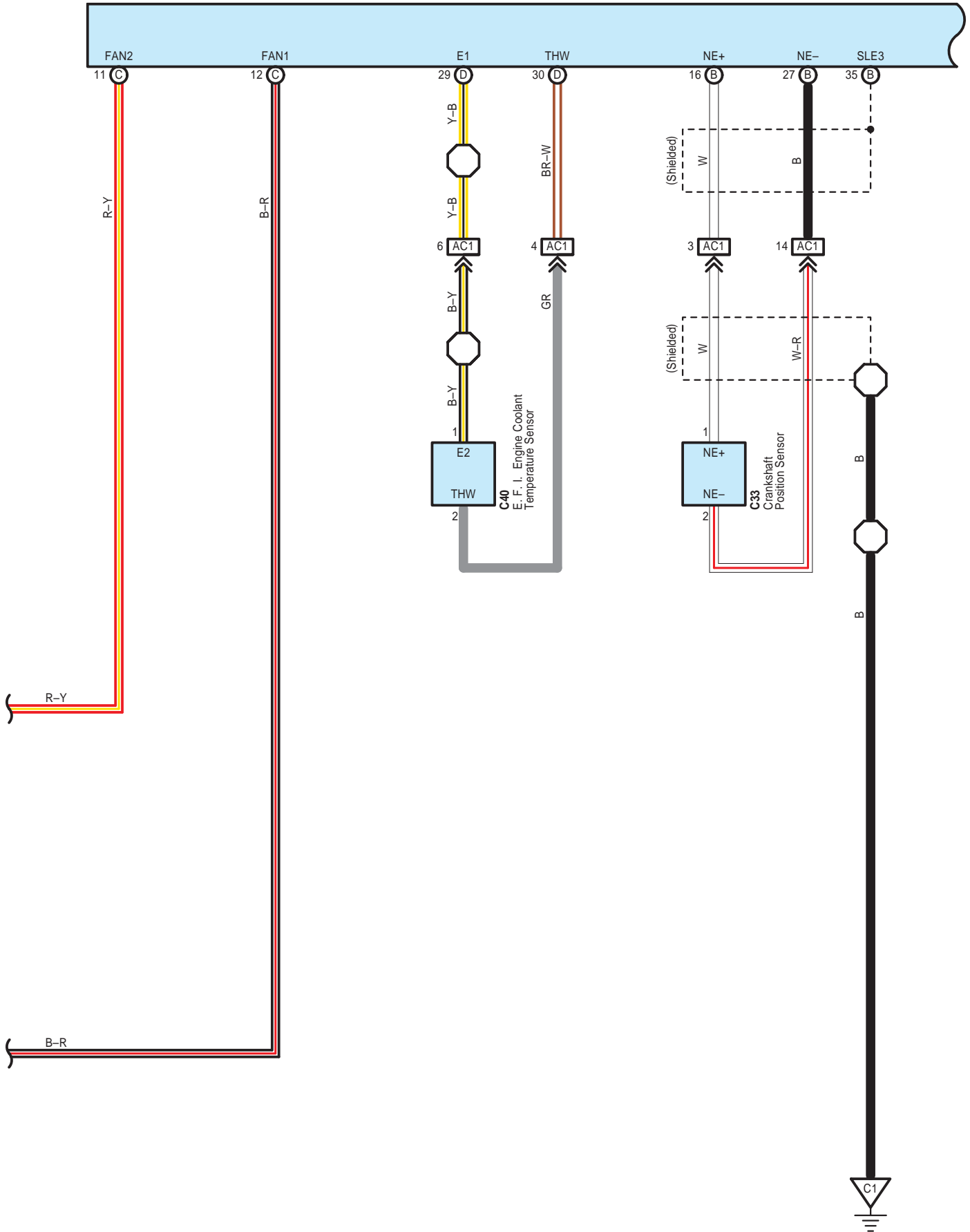
▽ : Ground Points

Code	See Page	Ground Points Location
A3	47	Cowl Side Panel RH
A7	46	Front Fender Apron RH
C1	46	Engine Unit
D1	47	Cowl Side Panel LH
D3	47	Instrument Panel Brace RH
D4	47	Cowl Side Panel RH
H1	48	Lower Back Panel

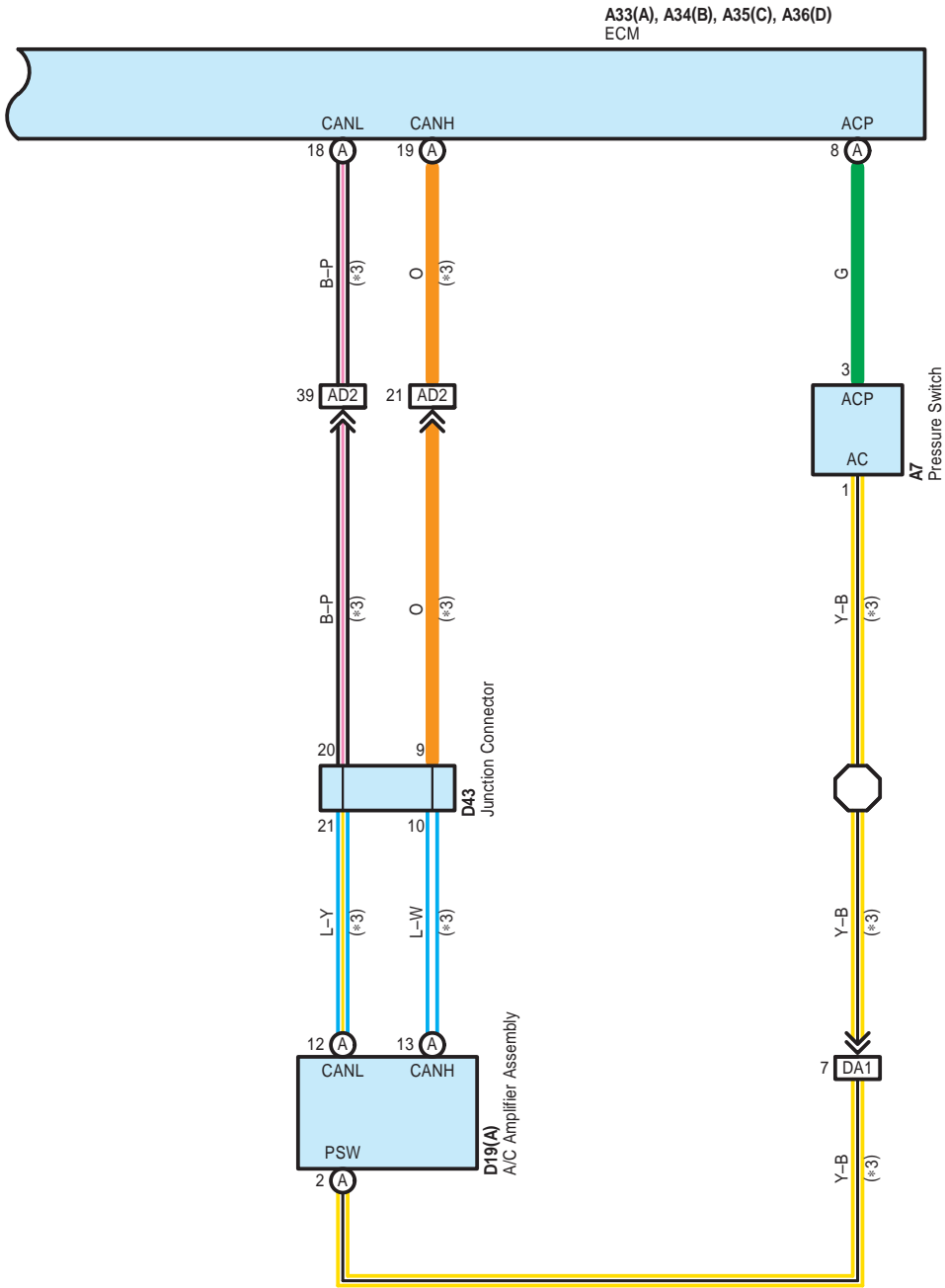
Cooling Fan



A33(A), A34(B), A35(C), A36(D)
ECM



Cooling Fan



* 3 : Automatic A/C

○ : Parts Location

Code		See Page	Code		See Page	Code		See Page
A7		39	A36	D	42	C33		38
A33	A	42	A45		39	C40		38
A34	B	42	A46		39	D19	A	40
A35	C	42	A75	A	36, 39	D43		41

○ : Relay Blocks

Code	See Page	Relay Blocks (Relay Block Location)
1	24	Engine Room R/B (Engine Compartment Right)

○ : Junction Block and Wire Harness Connector

Code	See Page	Junction Block and Wire Harness (Connector Location)
1C	24	Engine Room Main Wire and Engine Room J/B (Engine Compartment Right)
3C	26	Engine Room Main Wire and Instrument Panel J/B Assembly (Instrument Panel Reinforcement)

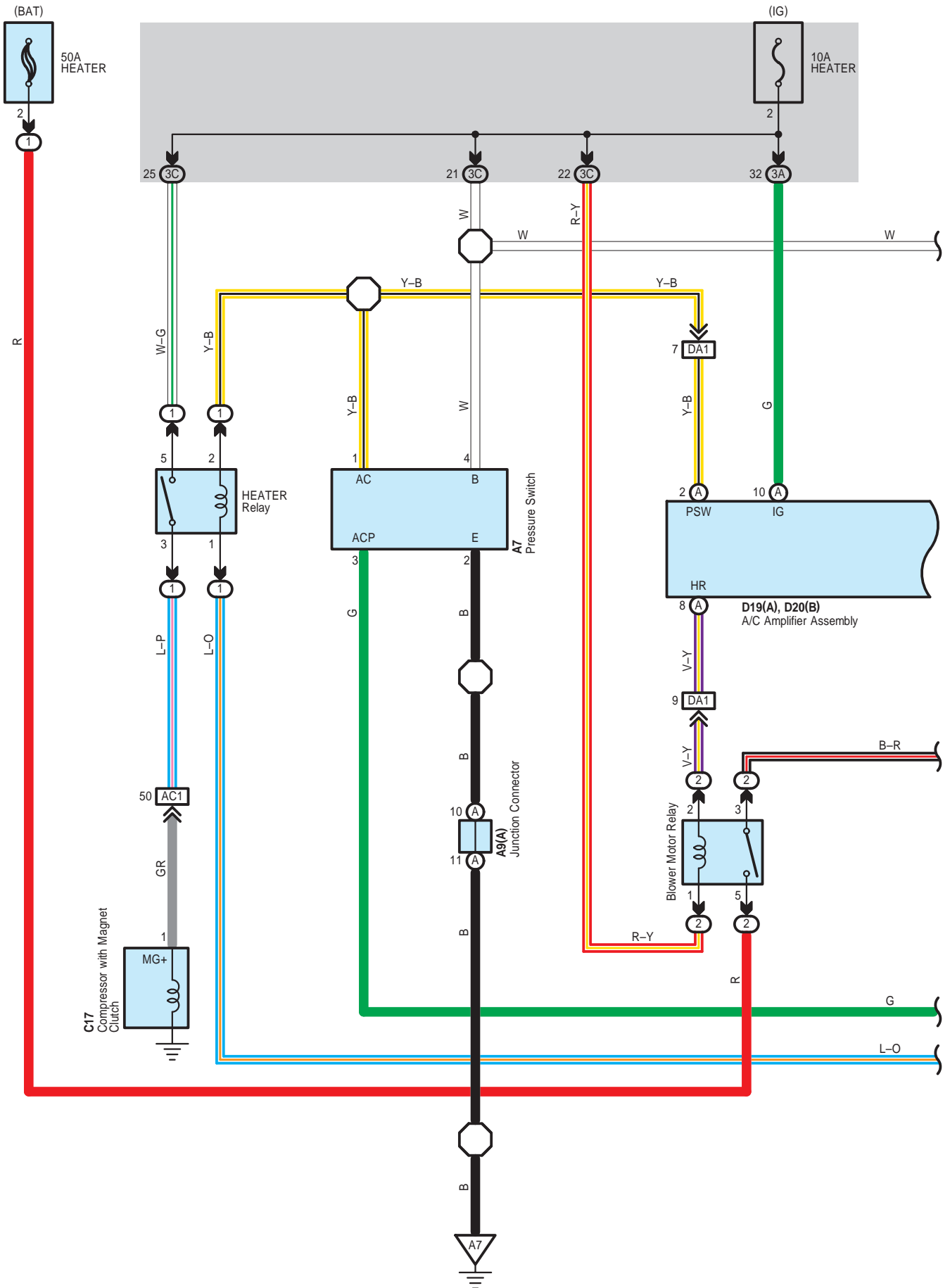
□ : Connector Joining Wire Harness and Wire Harness

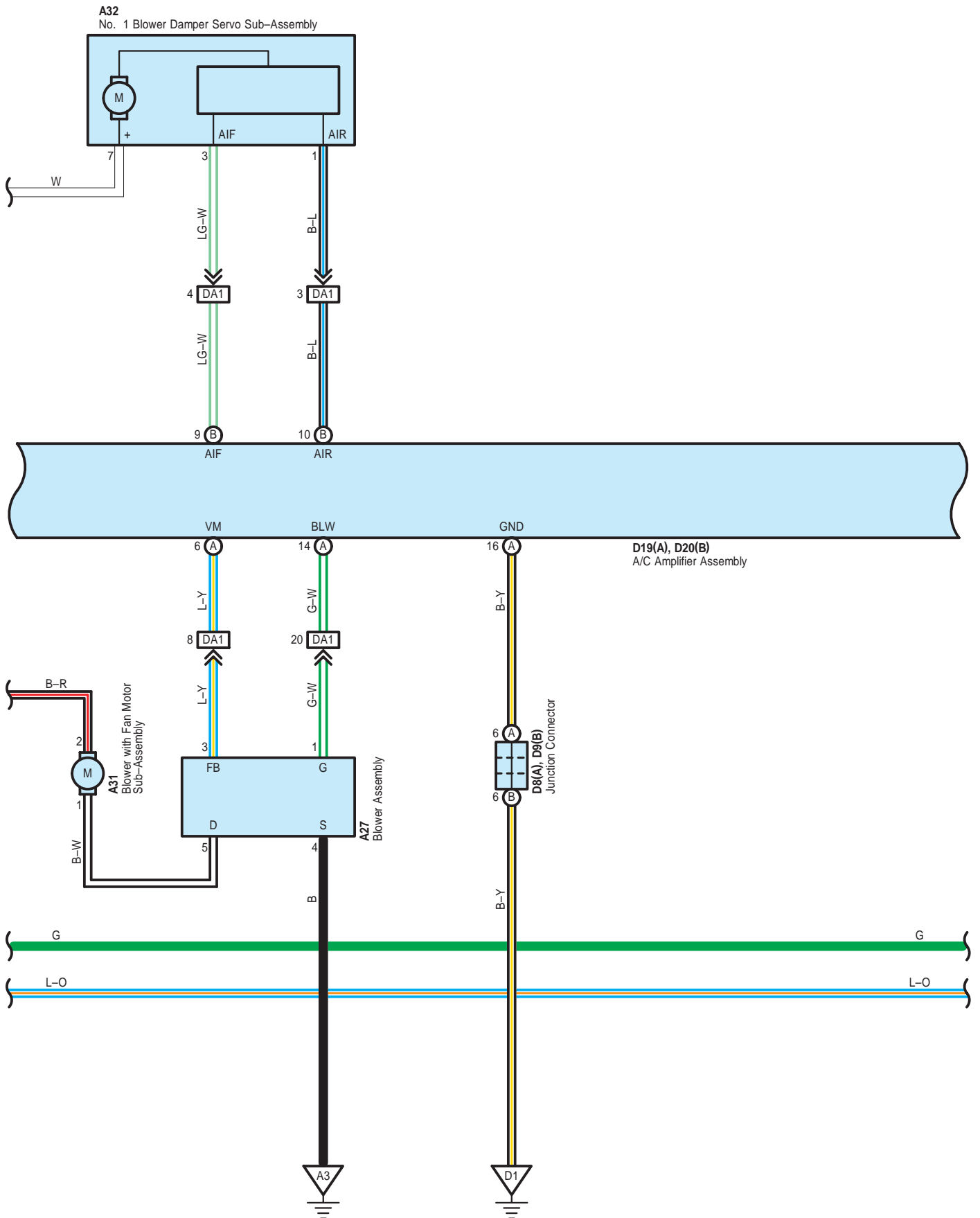
Code	See Page	Joining Wire Harness and Wire Harness (Connector Location)
AC1	46	Engine Room Main Wire and Engine Wire (Engine Unit)
AD2	47	Engine Room Main Wire and Instrument Panel Wire (Cowl Side Panel RH)
DA1	47	Instrument Panel Wire and Engine Room Main Wire (Behind Glove Box)

▽ : Ground Points

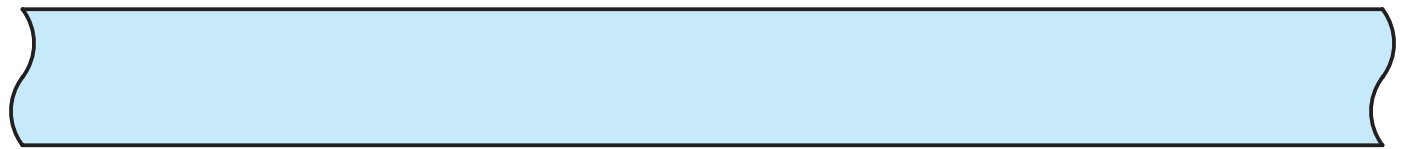
Code	See Page	Ground Points Location
A7	46	Front Fender Apron RH
C1	46	Engine Unit

Air Conditioning (Automatic A/C)



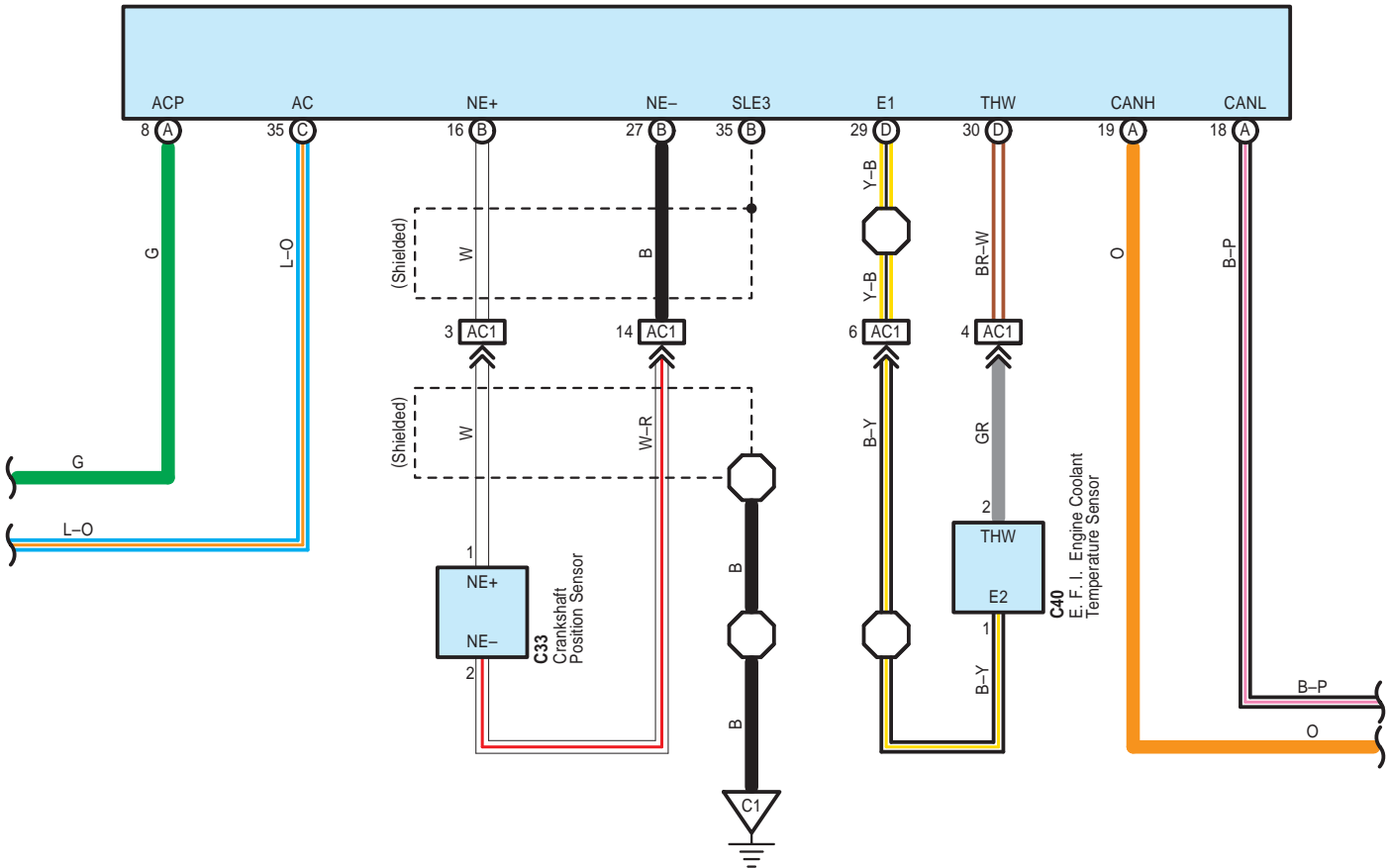


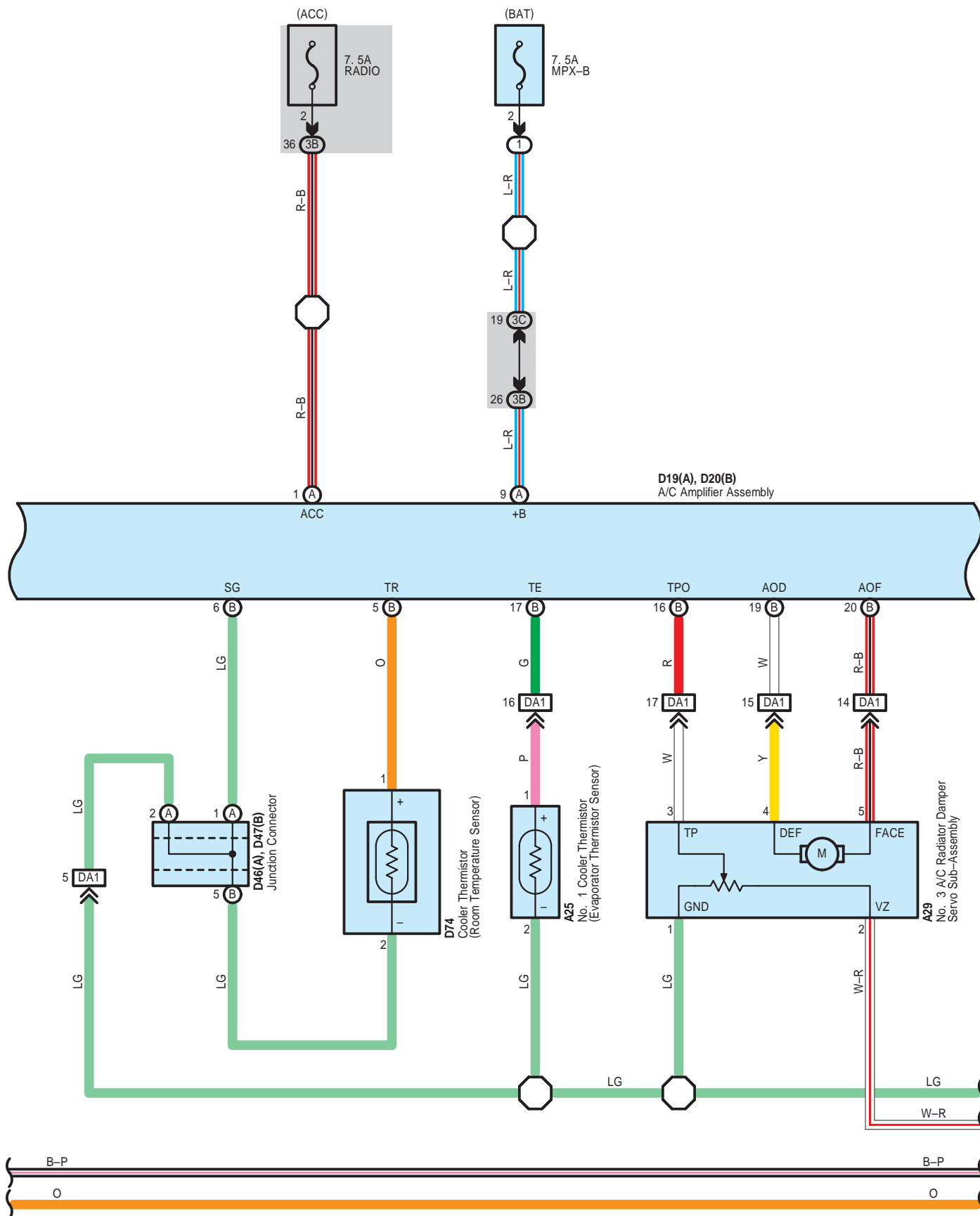
Air Conditioning (Automatic A/C)



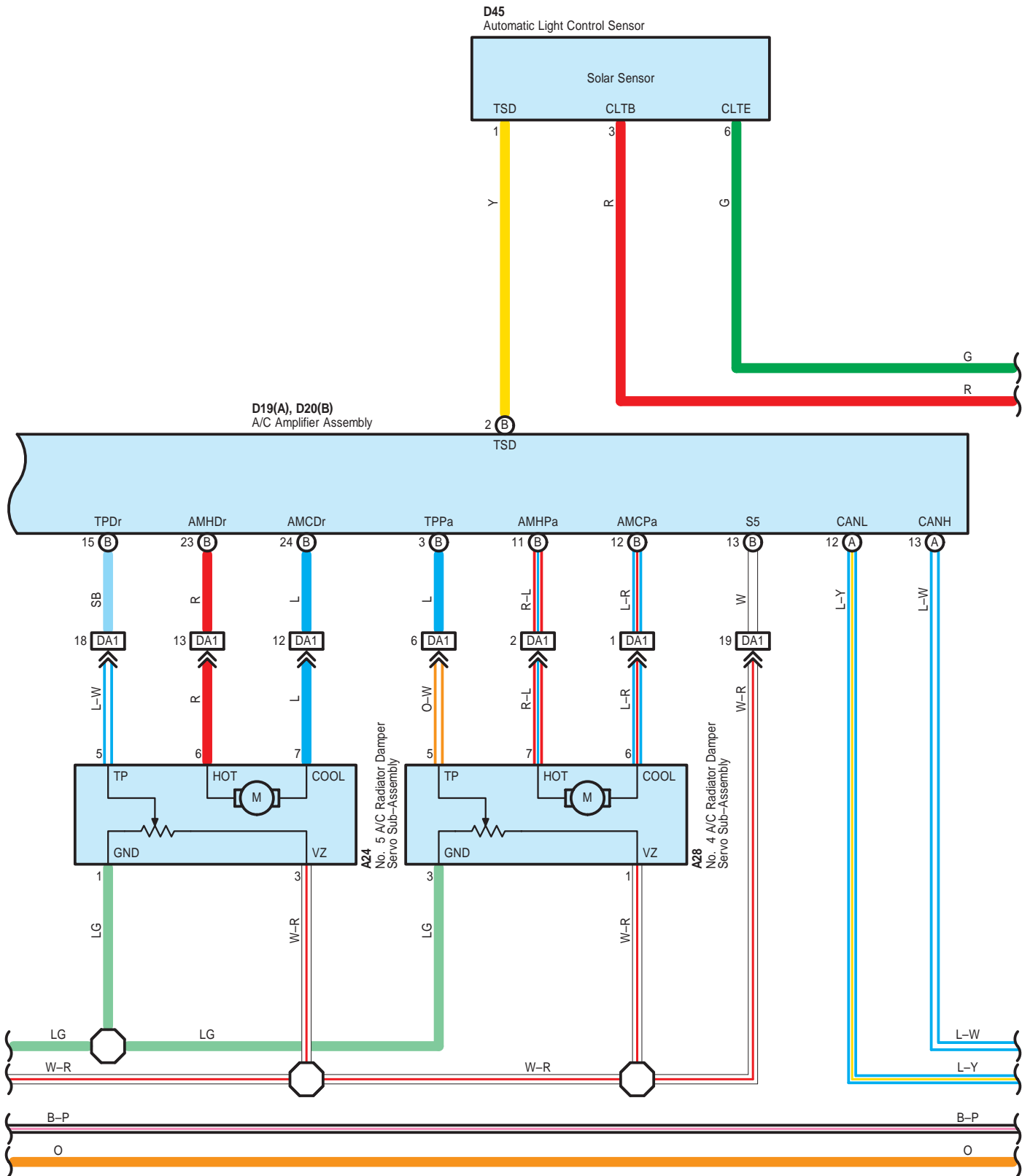
D19(A), D20(B)
A/C Amplifier Assembly

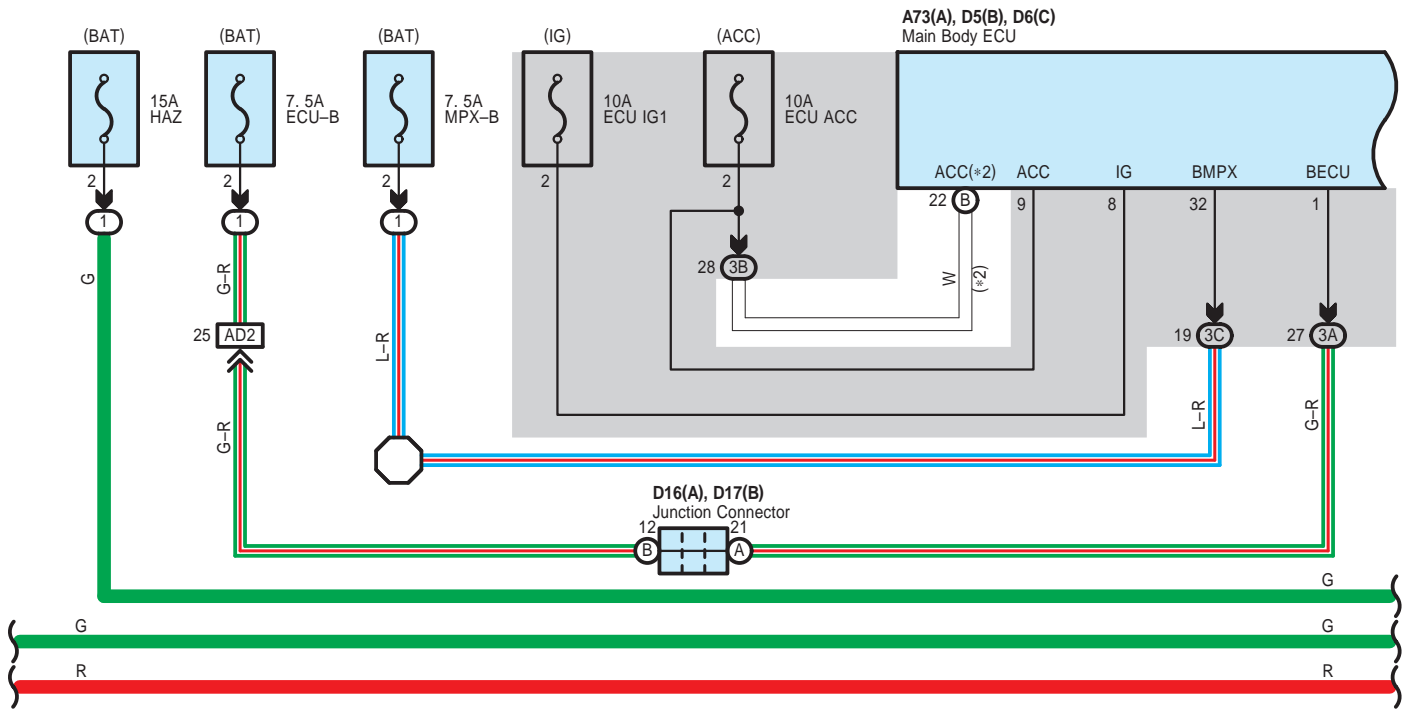
A33(A), A34(B), A35(C), A36(D)
ECM



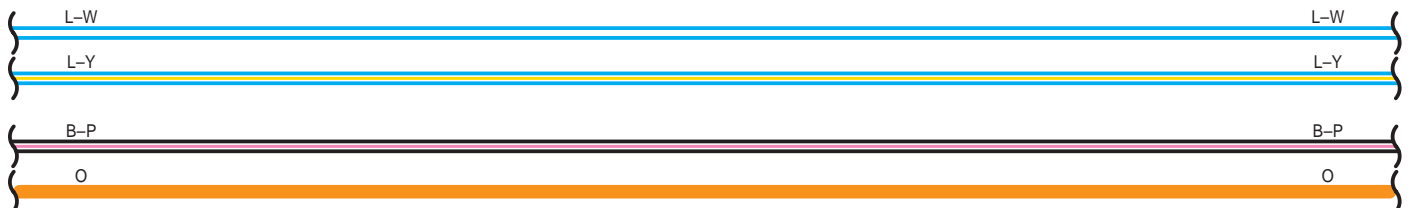


Air Conditioning (Automatic A/C)

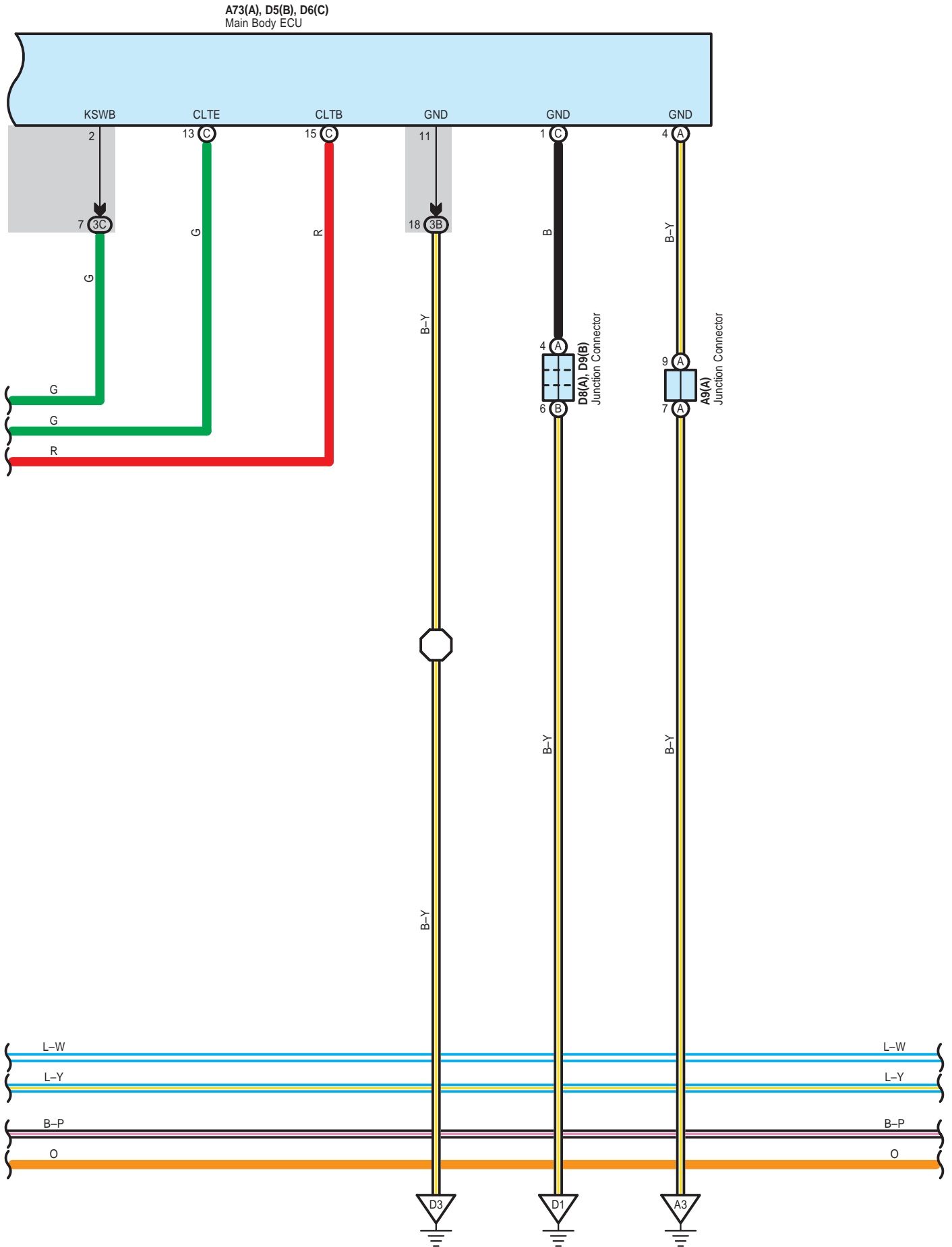


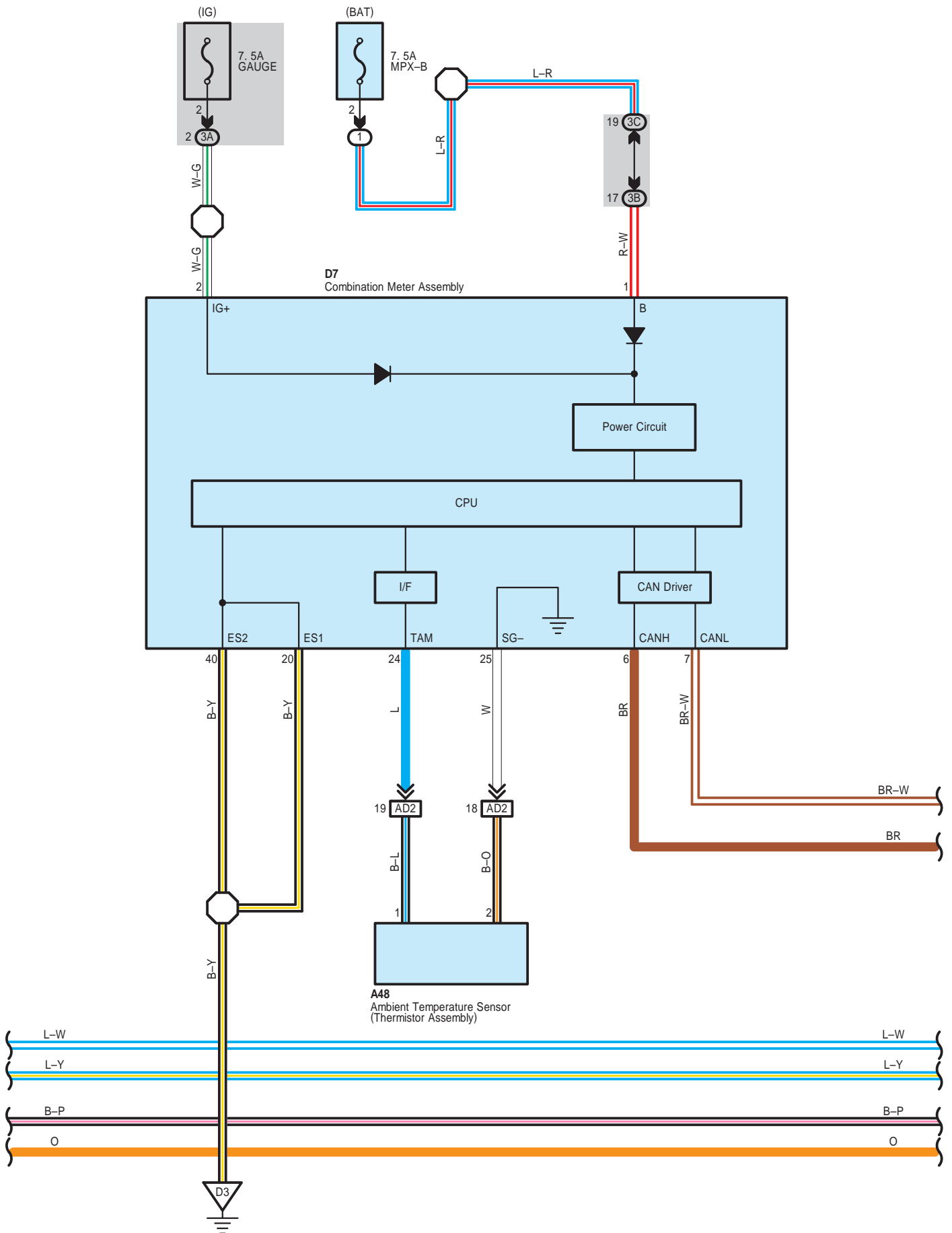


* 2 : w/ Smart Entry & Start System

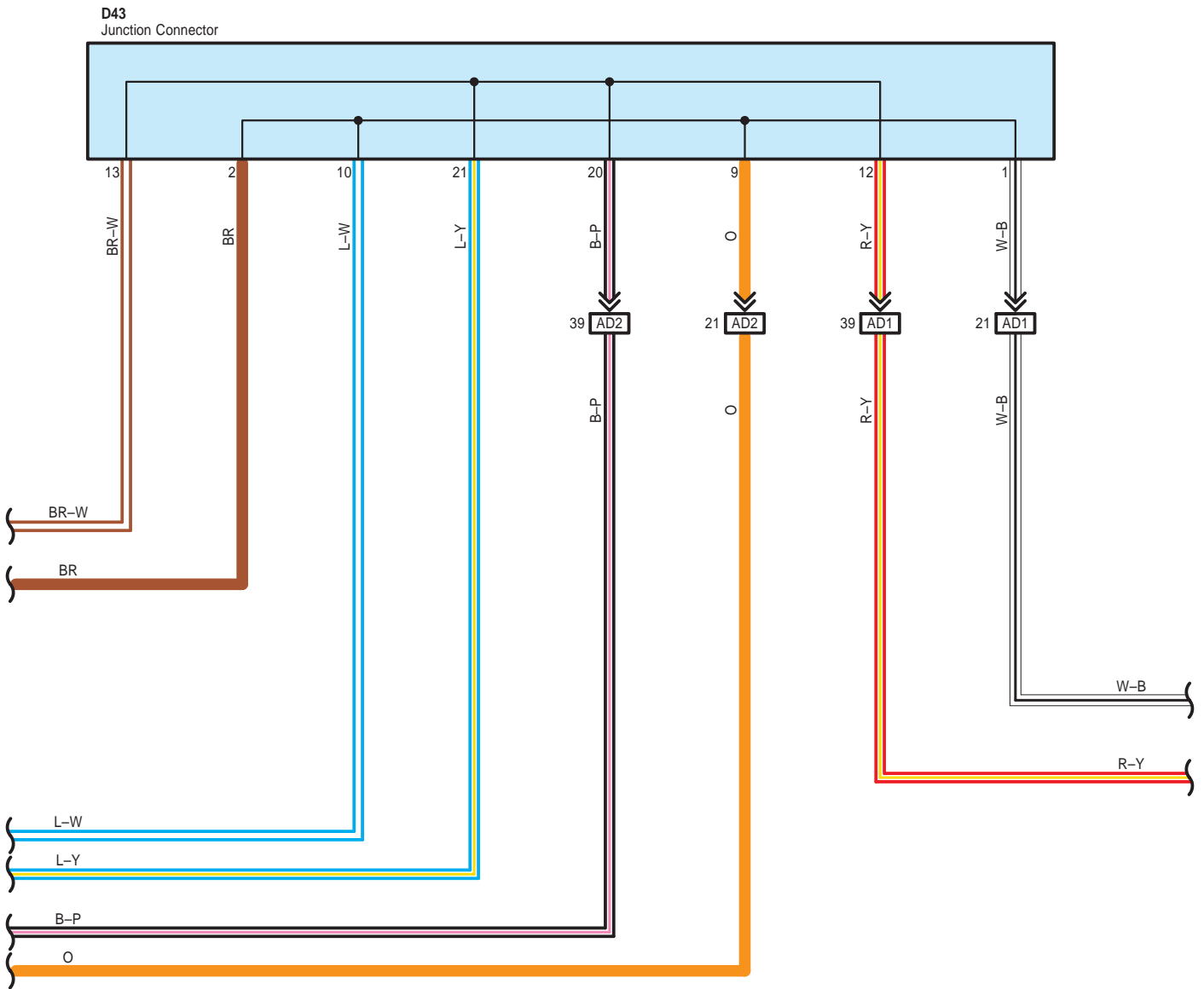


Air Conditioning (Automatic A/C)

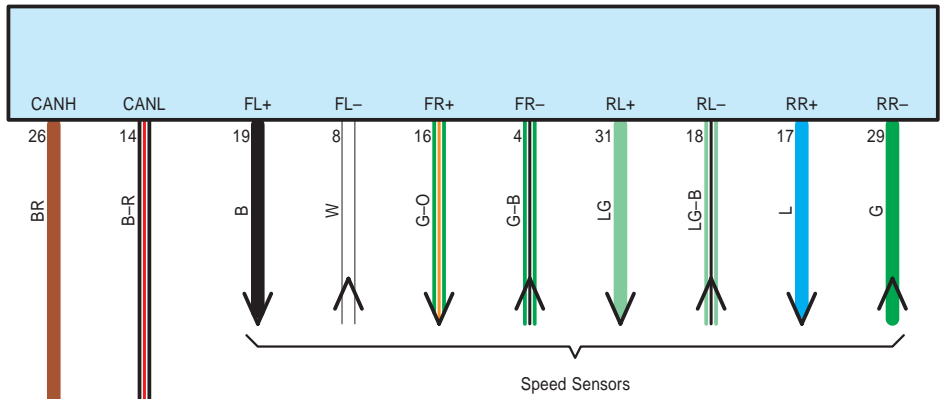




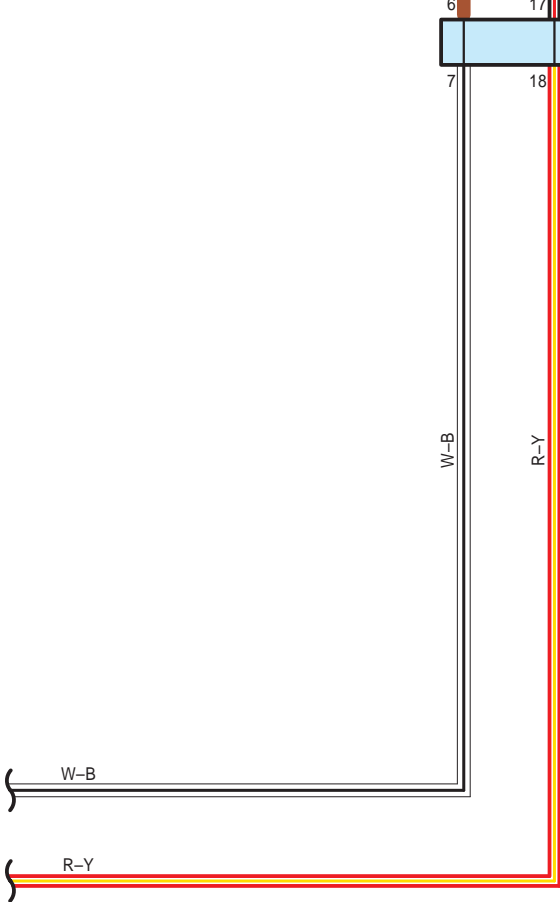
Air Conditioning (Automatic A/C)



A5
VSC (VDC) Control Module



A17
Junction Connector



Air Conditioning (Automatic A/C)

: Parts Location

Code	See Page	Code	See Page	Code	See Page
A5	39	A34	B 42	D9	B 40
A7	39	A35	C 42	D16	A 40
A9	A 42	A36	D 42	D17	B 40
A17	42	A48	39	D19	A 40
A24	42	A73	A 42	D20	B 40
A25	42	C17	38	D43	41
A27	42	C33	38	D45	41
A28	42	C40	38	D46	A 41
A29	42	D5	B 40	D47	B 41
A31	42	D6	C 40	D74	41
A32	42	D7	40		
A33	A 42	D8	A 40		

: Relay Blocks

Code	See Page	Relay Blocks (Relay Block Location)
1	24	Engine Room R/B (Engine Compartment Right)
2	25	R/B No. 2 (Behind Glove Box)

: Junction Block and Wire Harness Connector

Code	See Page	Junction Block and Wire Harness (Connector Location)
3A	26	Instrument Panel Wire and Instrument Panel J/B Assembly (Instrument Panel Reinforcement)
3B		
3C	26	Engine Room Main Wire and Instrument Panel J/B Assembly (Instrument Panel Reinforcement)

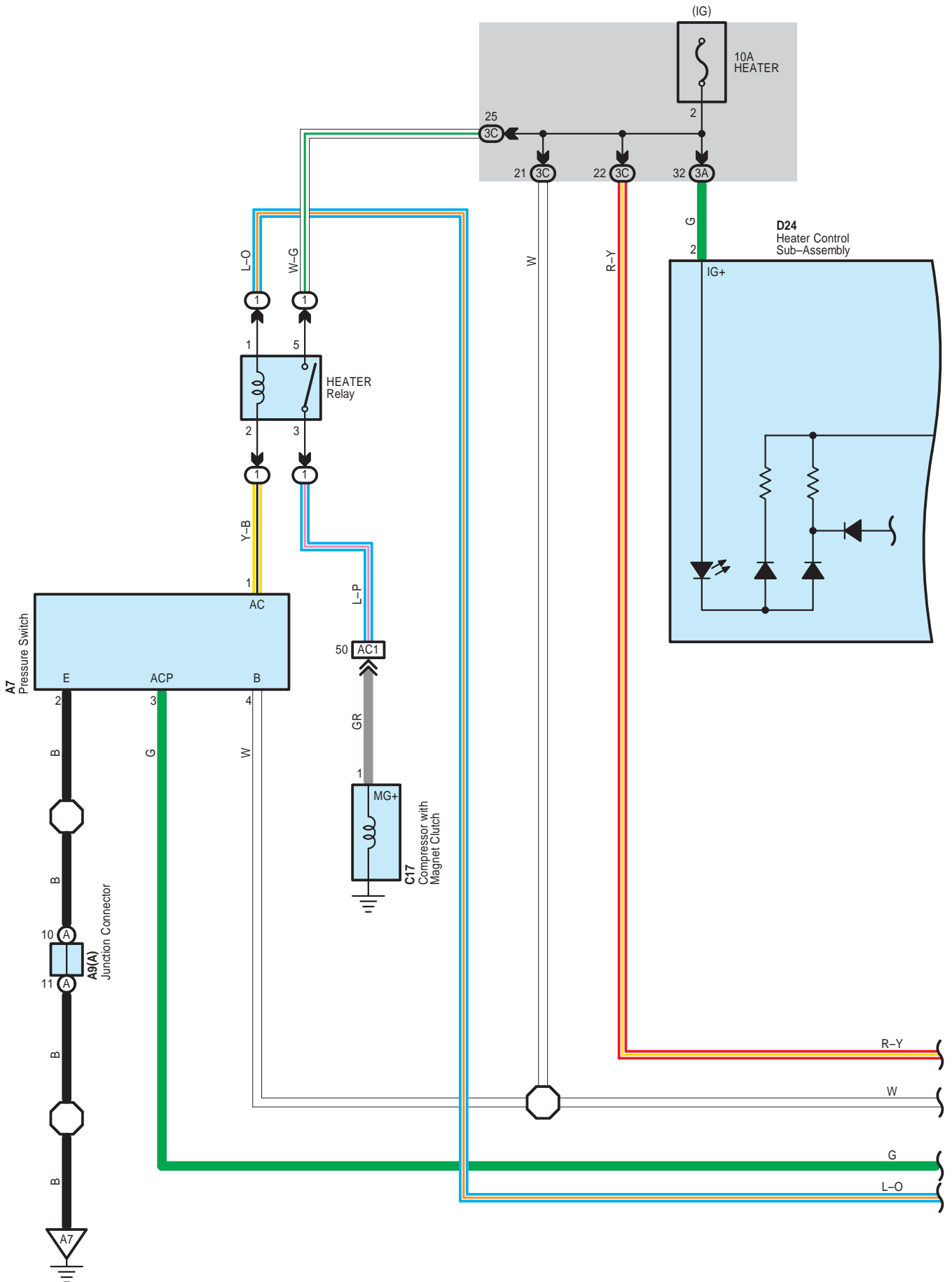
: Connector Joining Wire Harness and Wire Harness

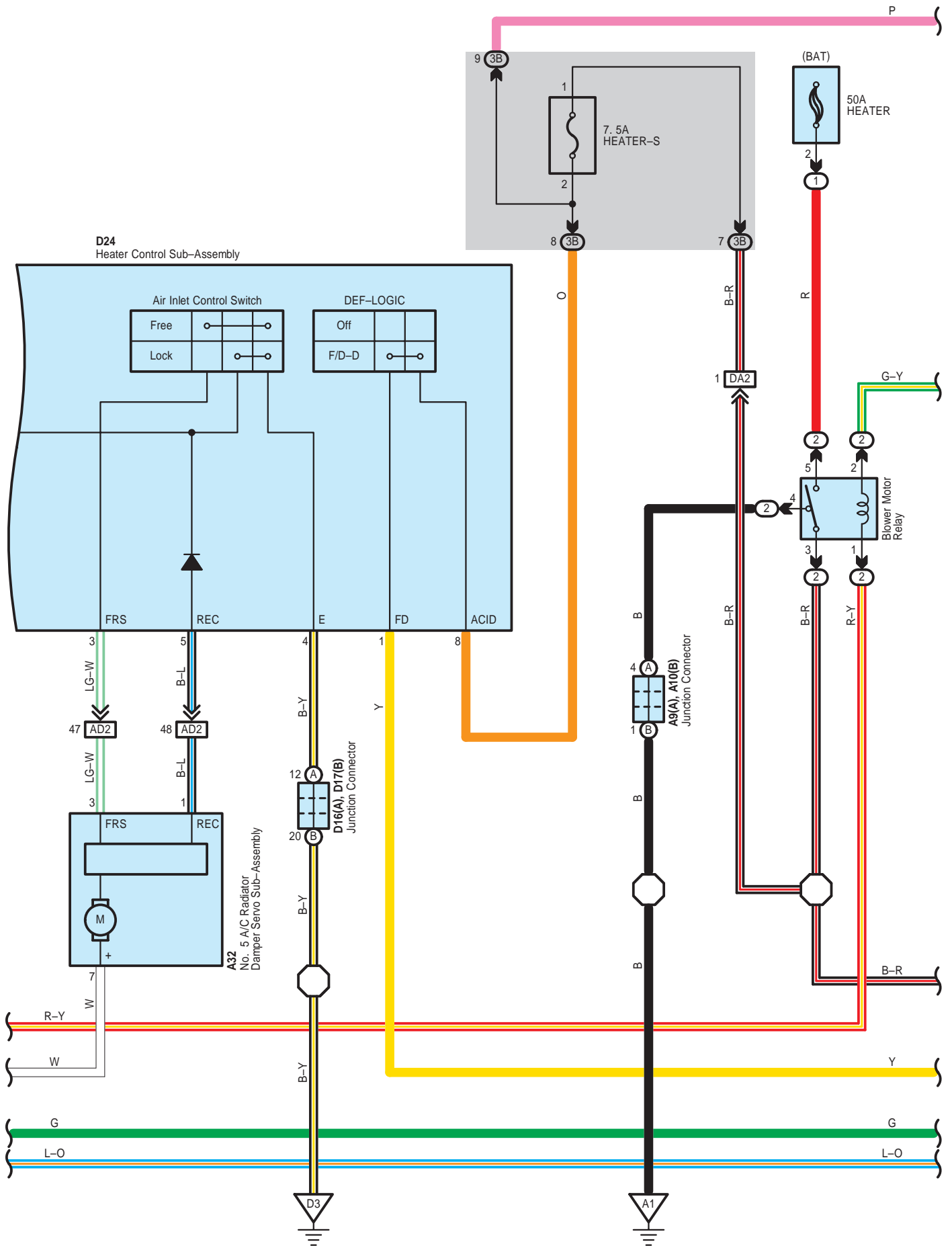
Code	See Page	Joining Wire Harness and Wire Harness (Connector Location)
AC1	46	Engine Room Main Wire and Engine Wire (Engine Unit)
AD1	47	Engine Room Main Wire and Instrument Panel Wire (Cowl Side Panel LH)
AD2	47	Engine Room Main Wire and Instrument Panel Wire (Cowl Side Panel RH)
DA1	47	Instrument Panel Wire and Engine Room Main Wire (Behind Glove Box)

: Ground Points

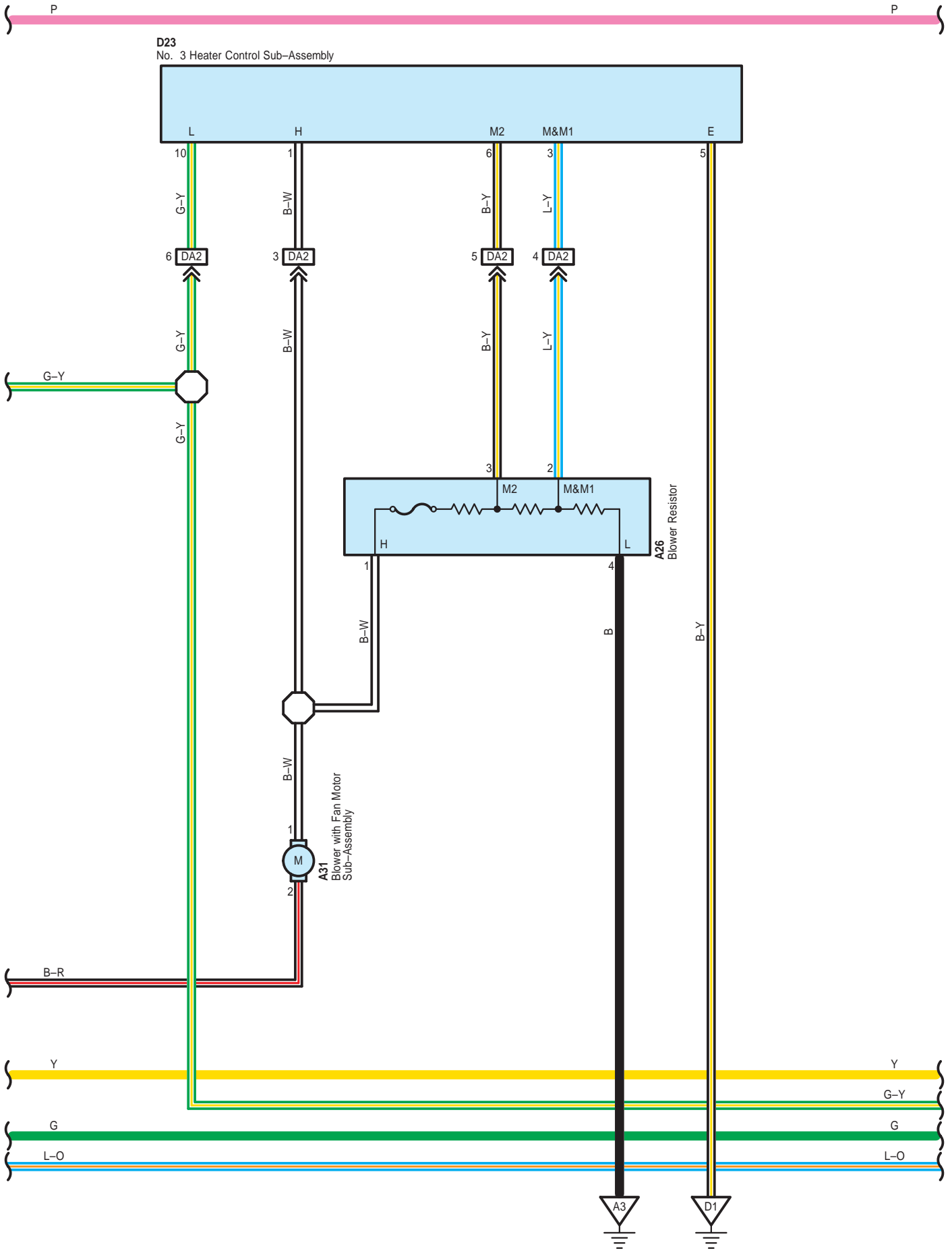
Code	See Page	Ground Points Location
A3	47	Cowl Side Panel RH
A7	46	Front Fender Apron RH
C1	46	Engine Unit
D1	47	Cowl Side Panel LH
D3	47	Instrument Panel Brace RH

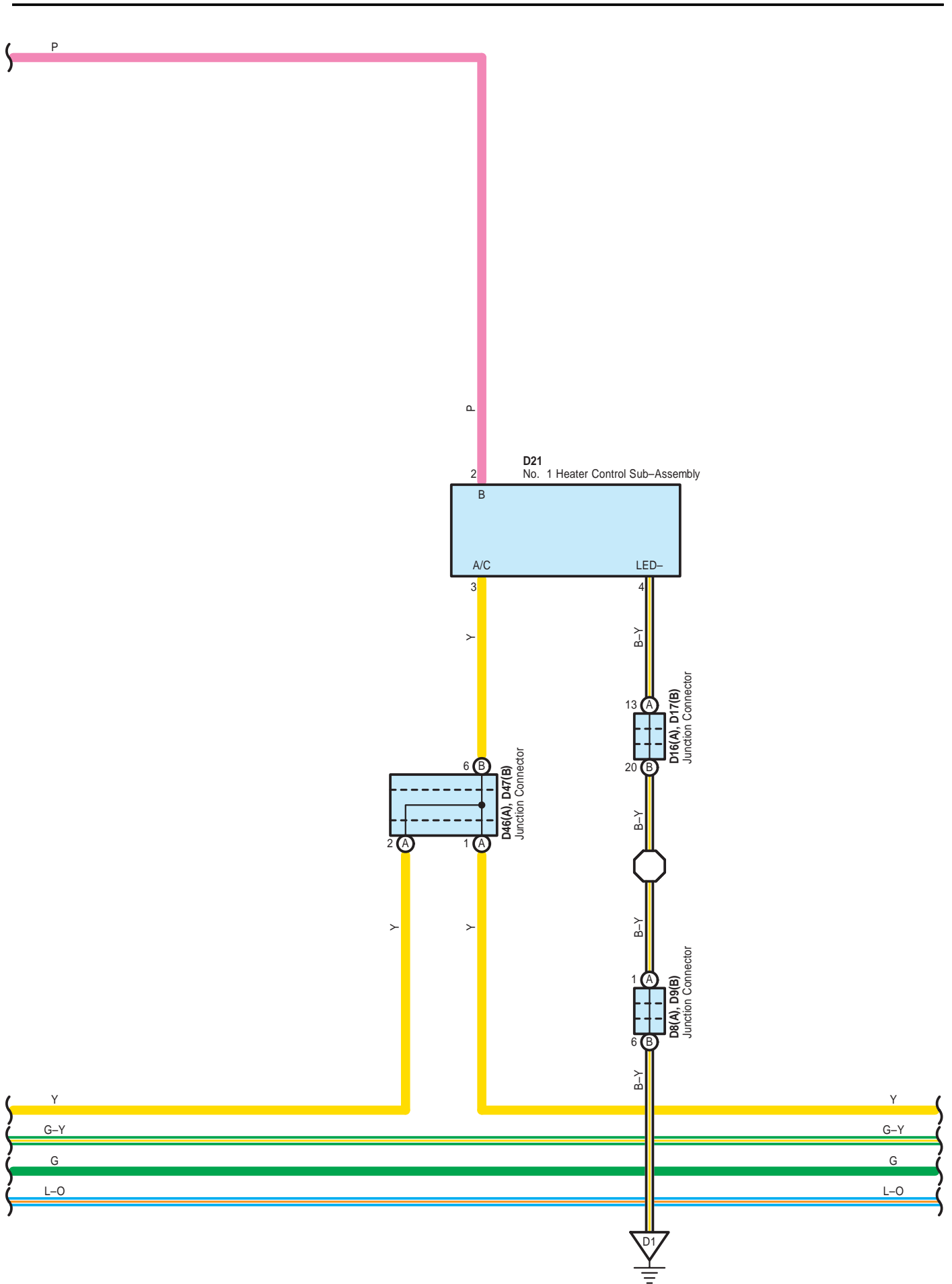
Air Conditioning (Manual A/C)



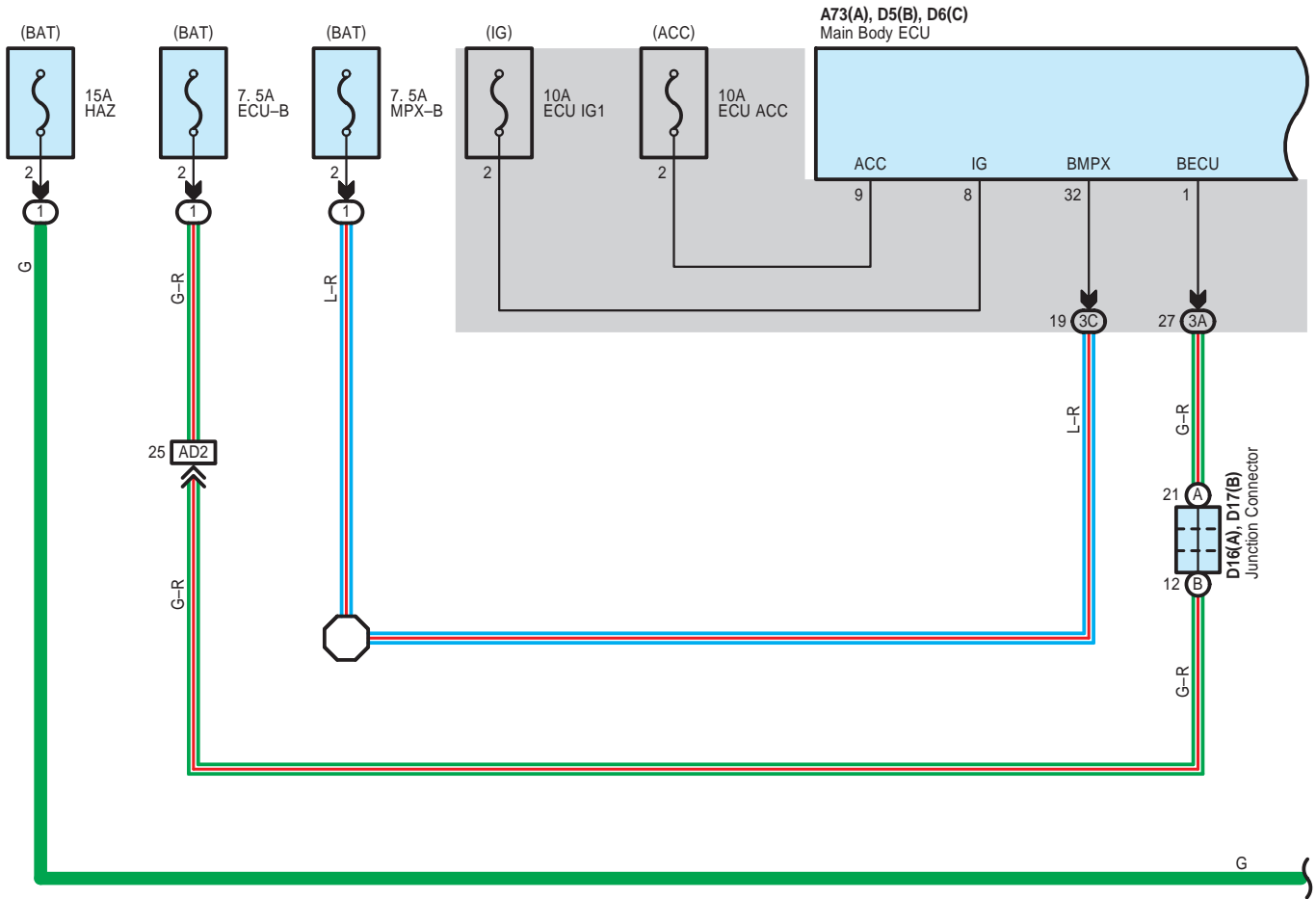


Air Conditioning (Manual A/C)

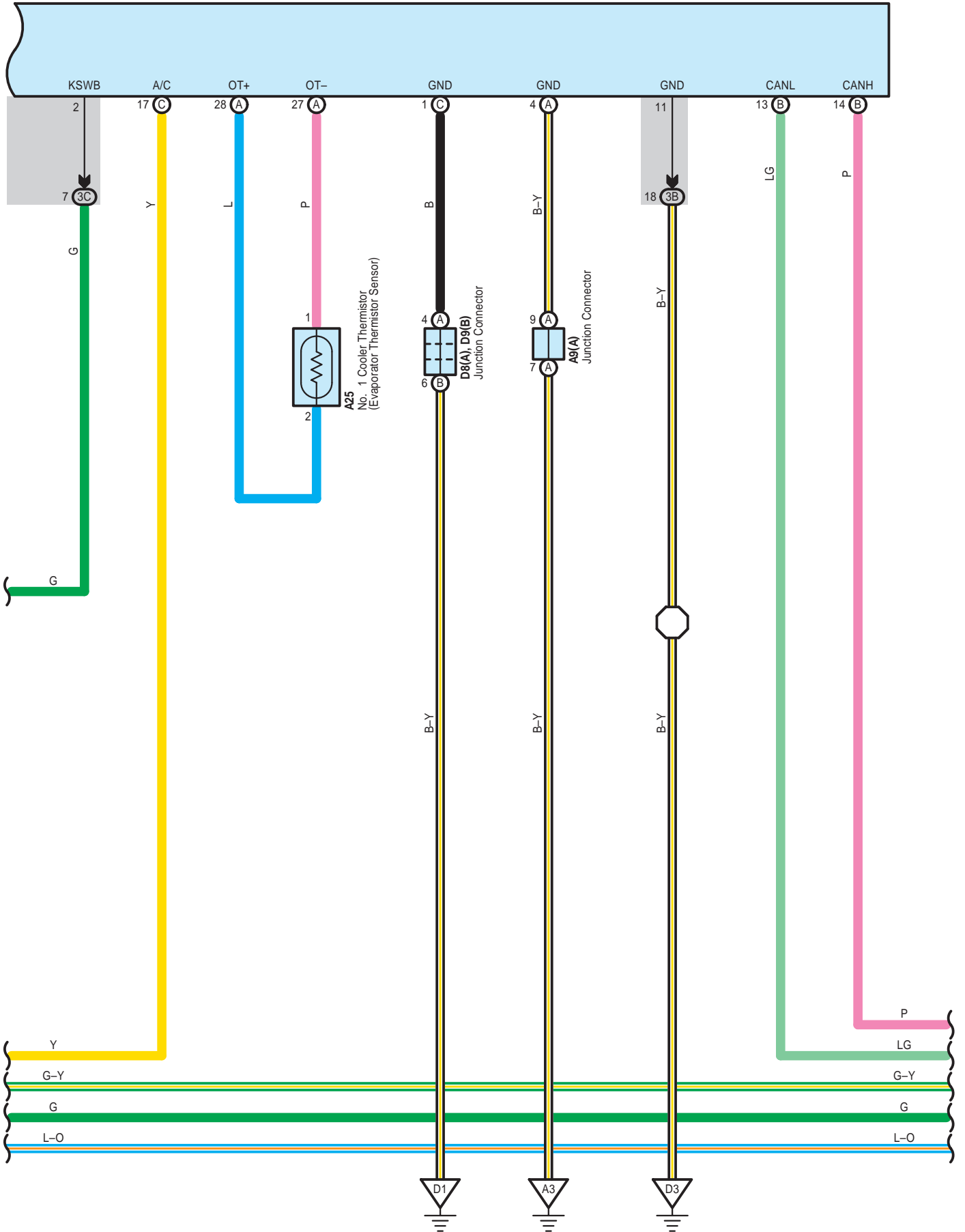




Air Conditioning (Manual A/C)

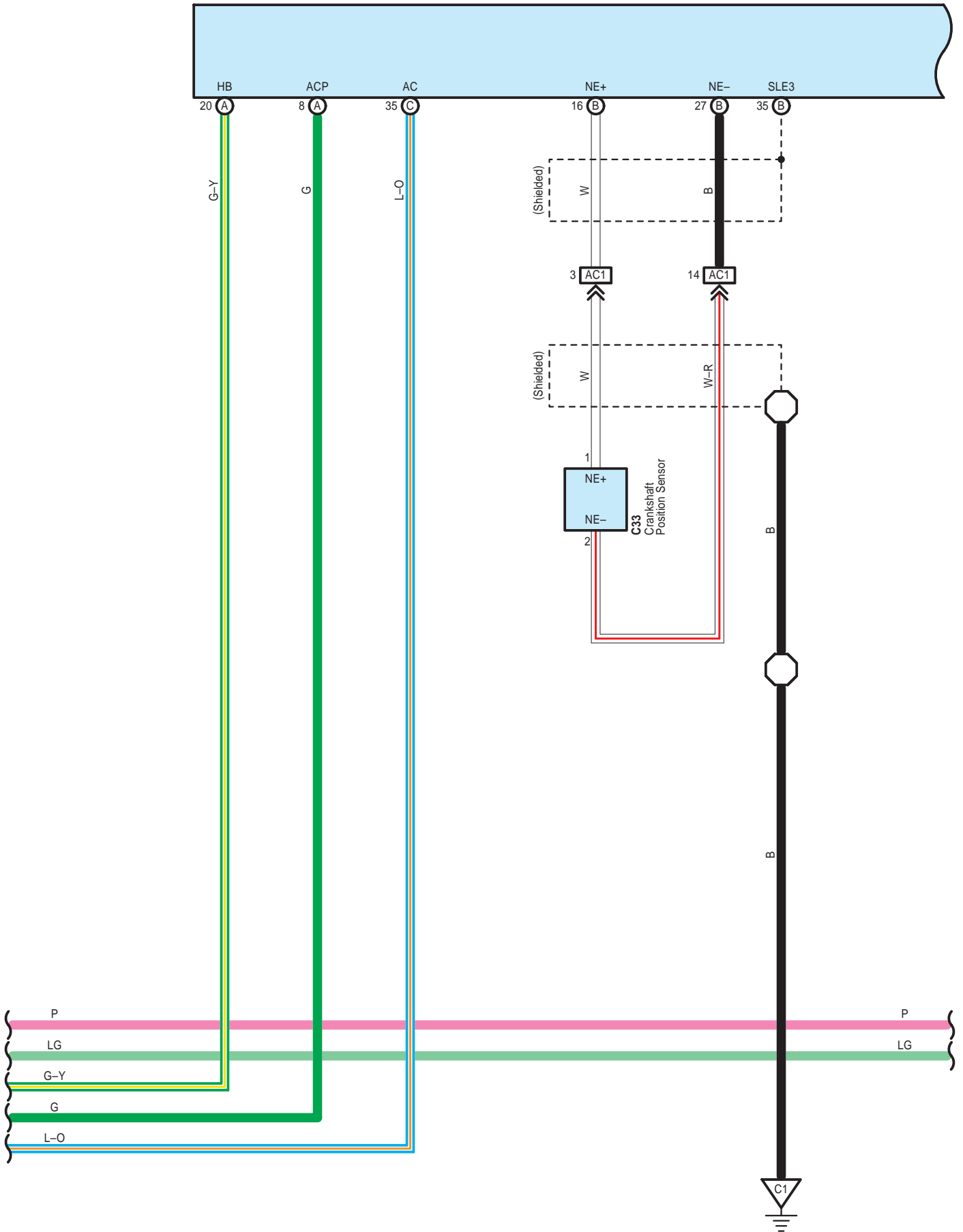


A73(A), D5(B), D6(C)
Main Body ECU

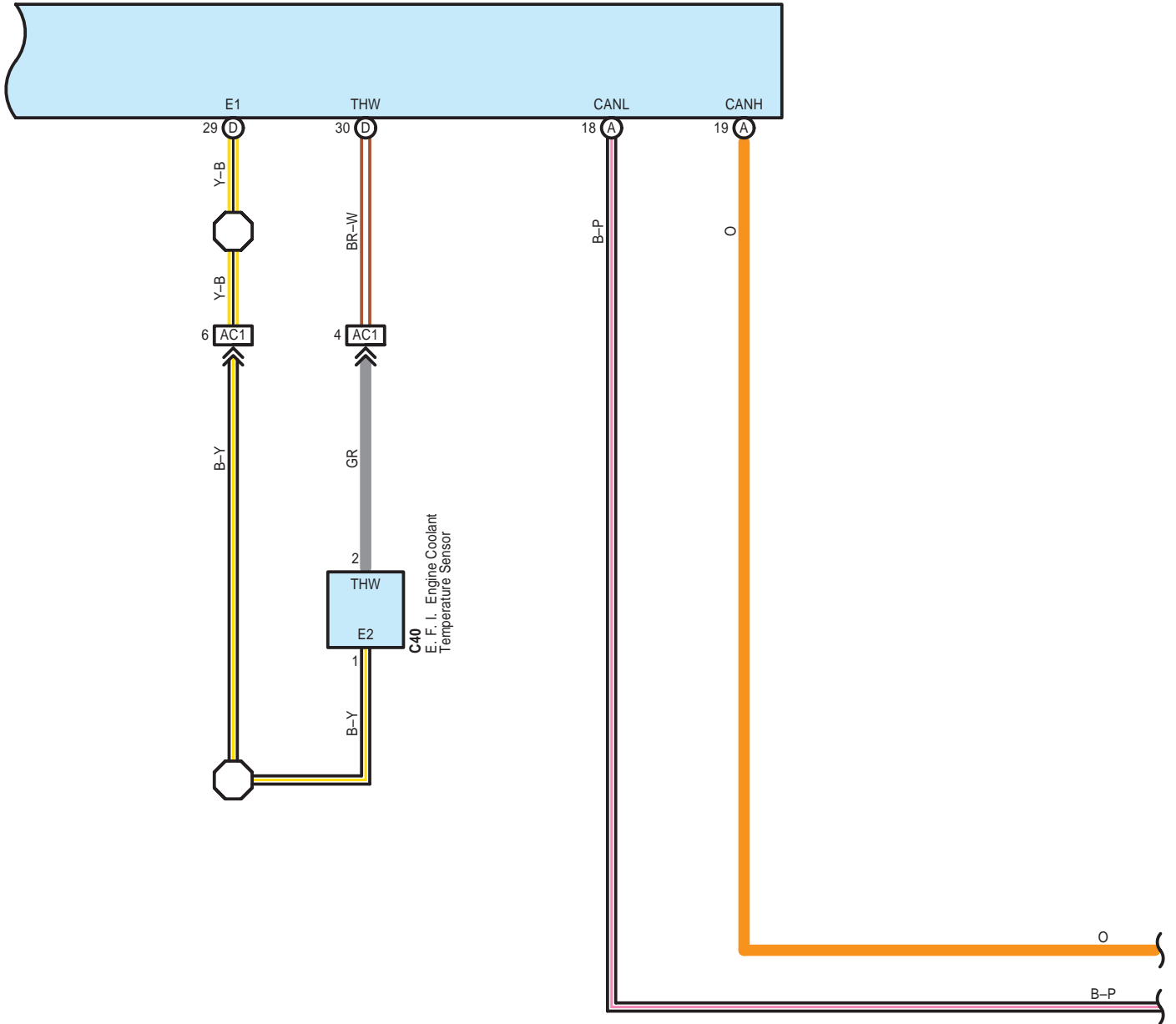


Air Conditioning (Manual A/C)

A33(A), A34(B), A35(C), A36(D)
ECM

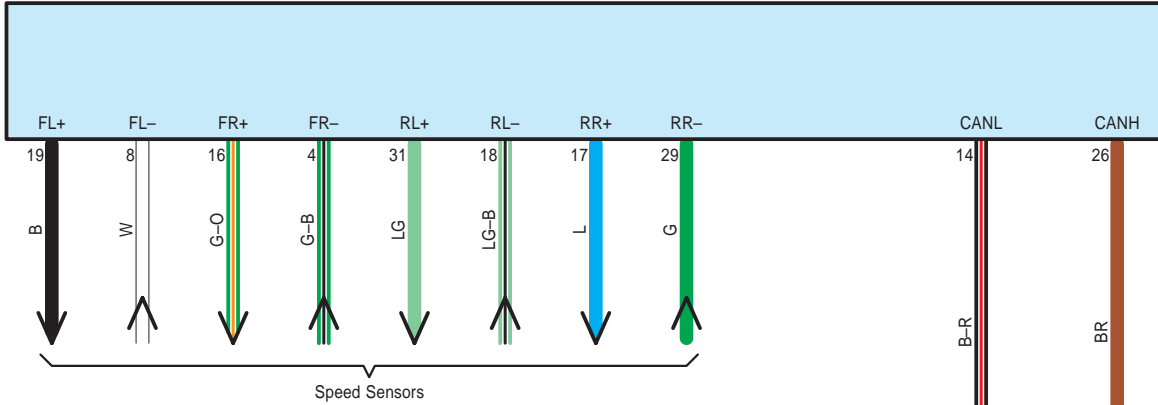


A33(A), A34(B), A35(C), A36(D)
ECM

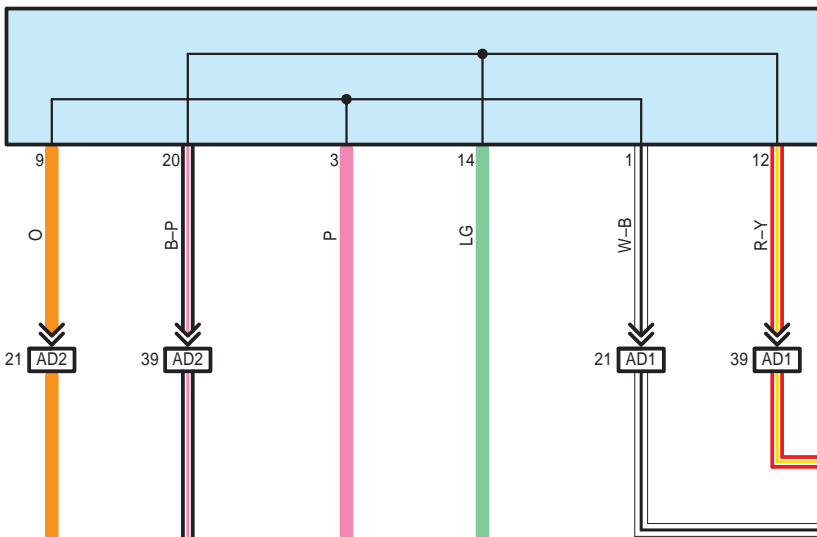


Air Conditioning (Manual A/C)

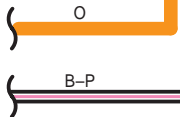
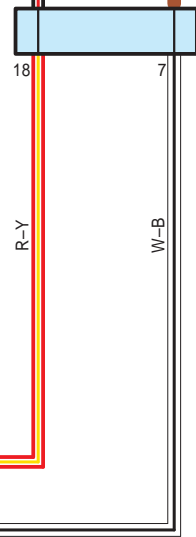
A5
VSC (VDC) Control Module



D43
Junction Connector



A17
Junction Connector



21 AD2

39 AD2

21 AD1

39 AD1

○ : Parts Location

Code		See Page	Code		See Page	Code		See Page
A5		39	A34	B	42	D9	B	40
A7		39	A35	C	42	D16	A	40
A9	A	42	A36	D	42	D17	B	40
A10	B	42	A73	A	42	D21		40
A17		42	C17		38	D23		40
A25		42	C33		38	D24		40
A26		42	C40		38	D43		41
A31		42	D5	B	40	D46	A	41
A32		42	D6	C	40	D47	B	41
A33	A	42	D8	A	40			

○ : Relay Blocks

Code	See Page	Relay Blocks (Relay Block Location)
1	24	Engine Room R/B (Engine Compartment Right)
2	25	R/B No. 2 (Behind Glove Box)

○ : Junction Block and Wire Harness Connector

Code	See Page	Junction Block and Wire Harness (Connector Location)
3A	26	Instrument Panel Wire and Instrument Panel J/B Assembly (Instrument Panel Reinforcement)
3B		
3C	26	Engine Room Main Wire and Instrument Panel J/B Assembly (Instrument Panel Reinforcement)

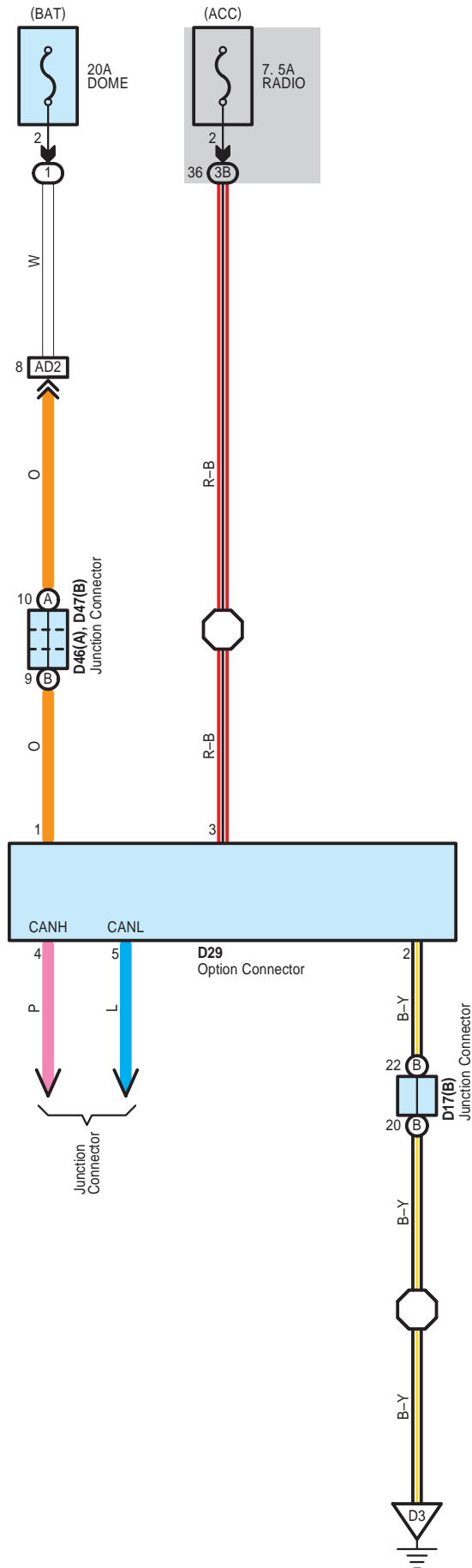
□ : Connector Joining Wire Harness and Wire Harness

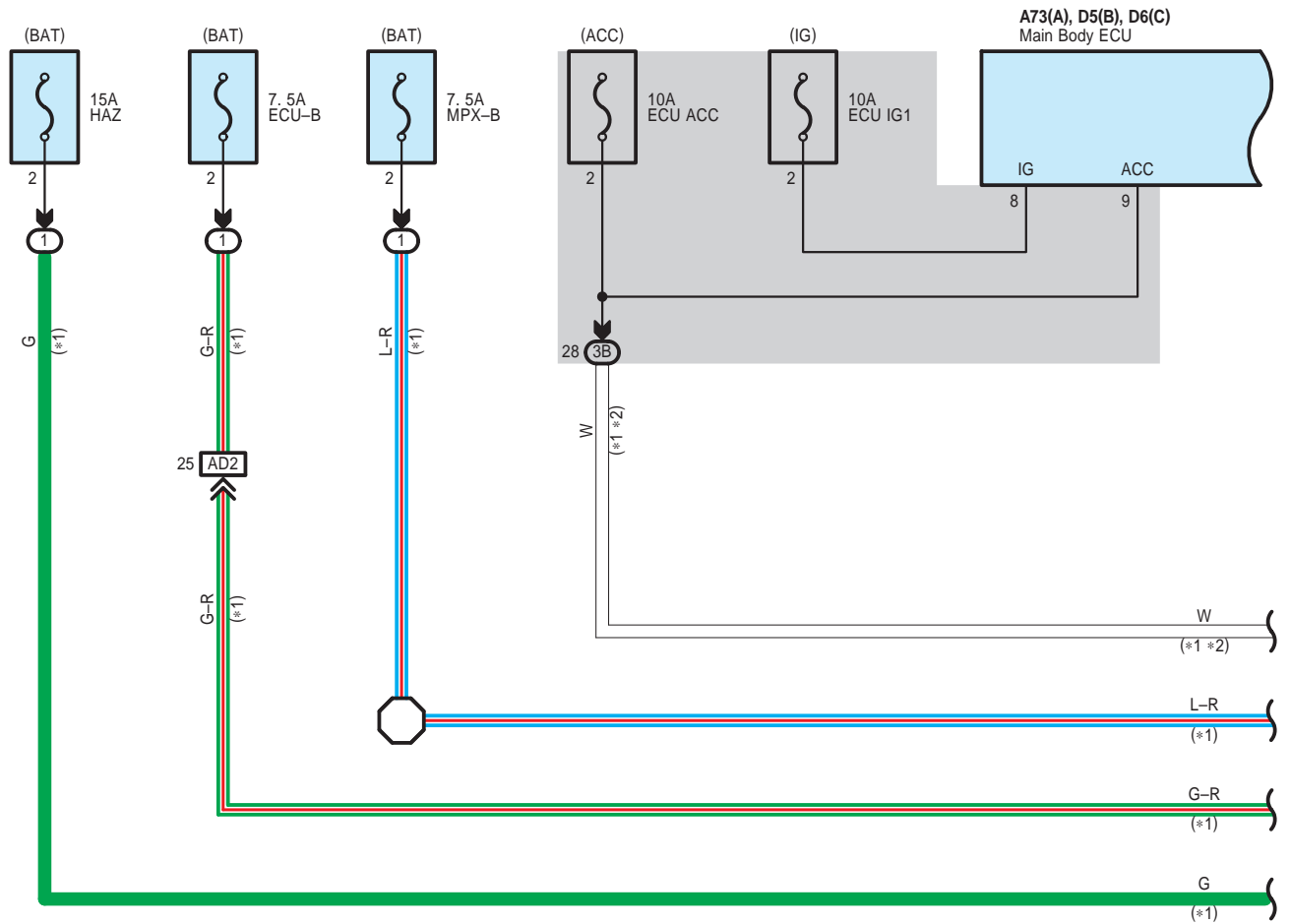
Code	See Page	Joining Wire Harness and Wire Harness (Connector Location)
AC1	46	Engine Room Main Wire and Engine Wire (Engine Unit)
AD1	47	Engine Room Main Wire and Instrument Panel Wire (Cowl Side Panel LH)
AD2	47	Engine Room Main Wire and Instrument Panel Wire (Cowl Side Panel RH)
DA2	47	Instrument Panel Wire and Engine Room Main Wire (Around A/C Unit)

▽ : Ground Points

Code	See Page	Ground Points Location
A1	46	Front Fender Apron LH
A3	47	Cowl Side Panel RH
A7	46	Front Fender Apron RH
C1	46	Engine Unit
D1	47	Cowl Side Panel LH
D3	47	Instrument Panel Brace RH

Option Connector

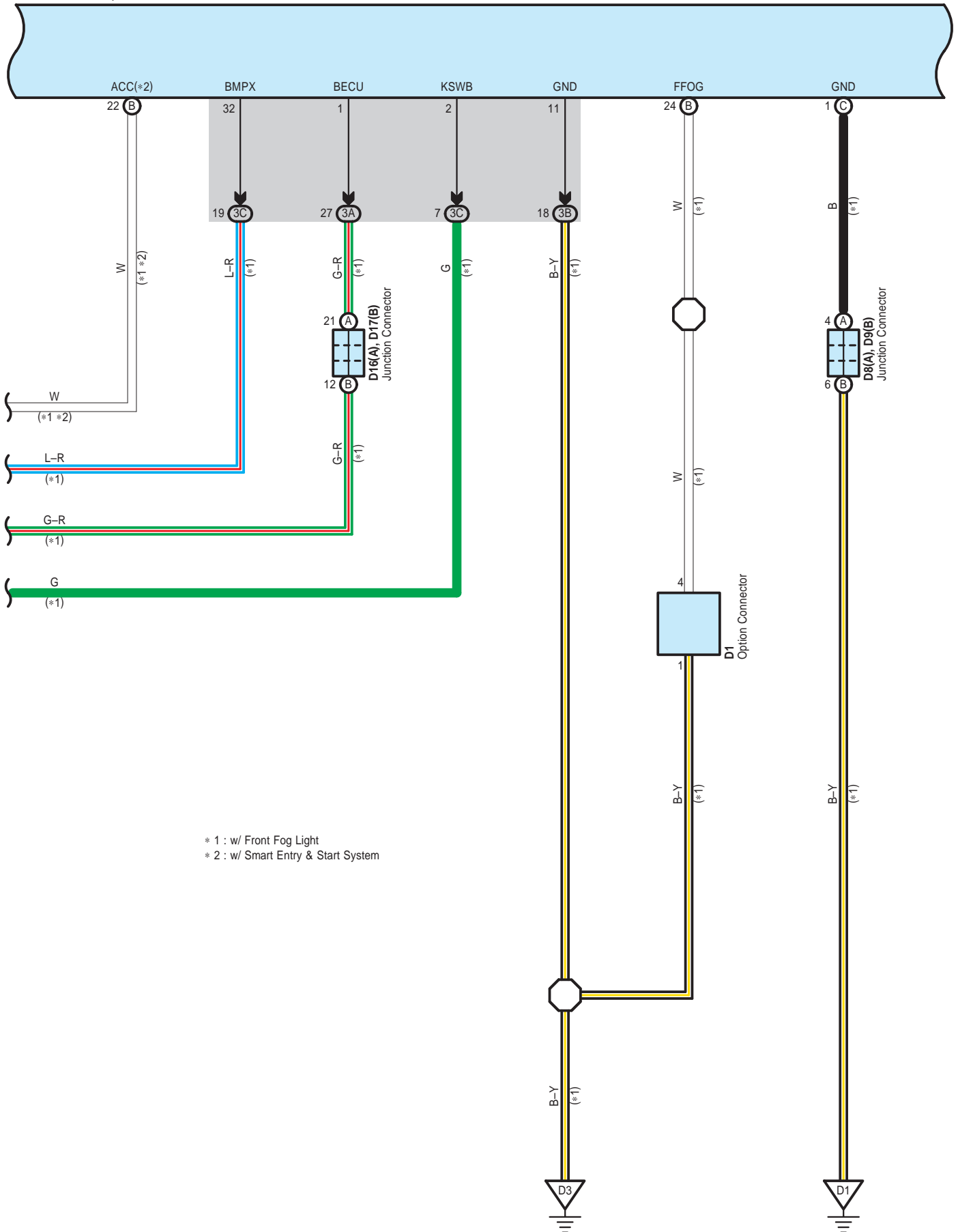


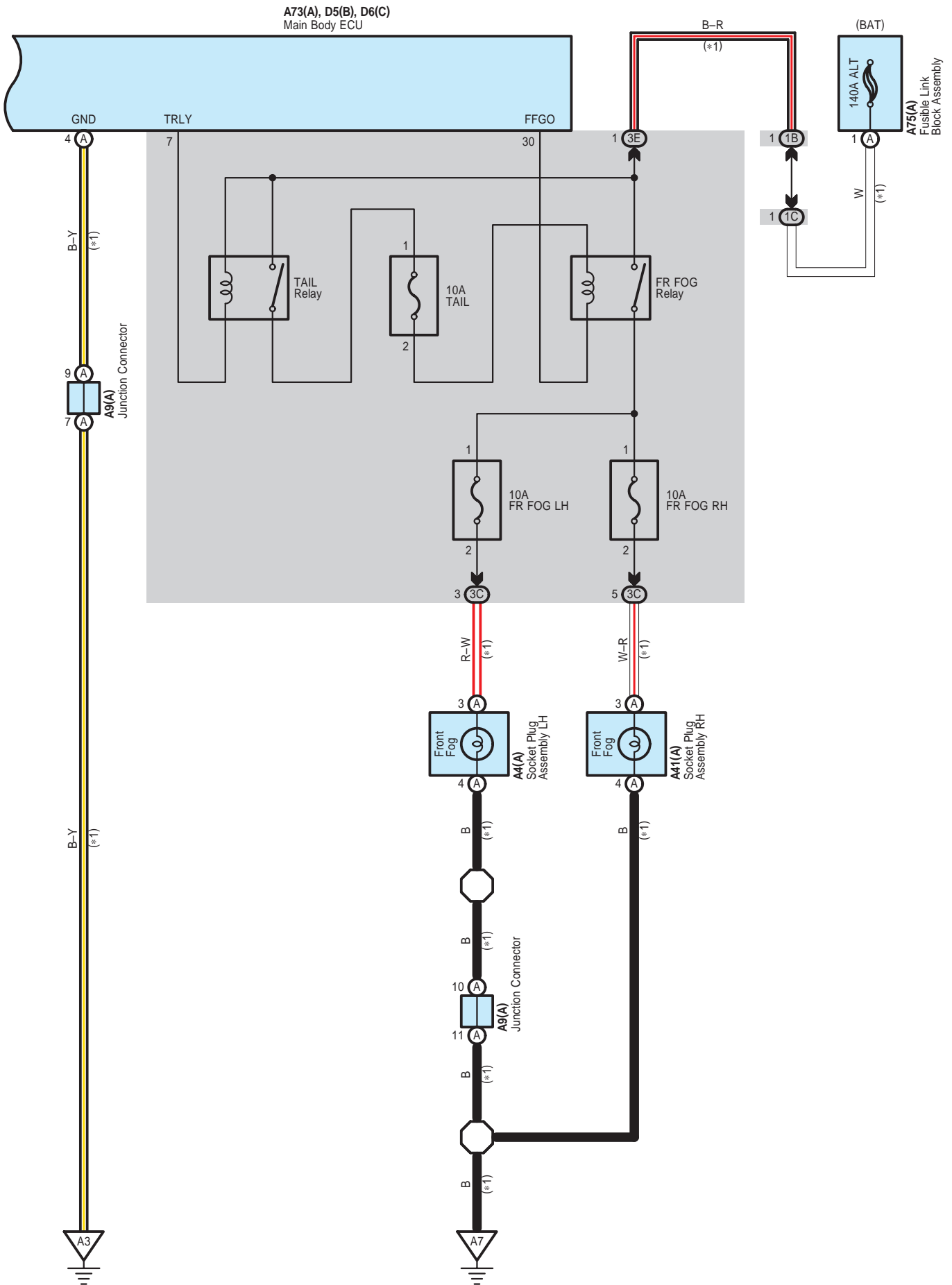


* 1 : w/ Front Fog Light
 * 2 : w/ Smart Entry & Start System

Option Connector

A73(A), D5(B), D6(C)
Main Body ECU





Option Connector

○ : Parts Location

Code		See Page	Code		See Page	Code		See Page
A4	A	39	D1		40	D16	A	40
A9	A	42	D5	B	40	D17	B	40
A41	A	39	D6	C	40	D29		40
A73	A	42	D8	A	40	D46	A	41
A75	A	36, 39	D9	B	40	D47	B	41

○ : Relay Blocks

Code	See Page	Relay Blocks (Relay Block Location)
1	24	Engine Room R/B (Engine Compartment Right)

○ : Junction Block and Wire Harness Connector

Code	See Page	Junction Block and Wire Harness (Connector Location)
1B	24	Engine Room Main Wire and Engine Room J/B (Engine Compartment Right)
1C		
3A	26	Instrument Panel Wire and Instrument Panel J/B Assembly (Instrument Panel Reinforcement)
3B		
3C	26	Engine Room Main Wire and Instrument Panel J/B Assembly (Instrument Panel Reinforcement)
3E		

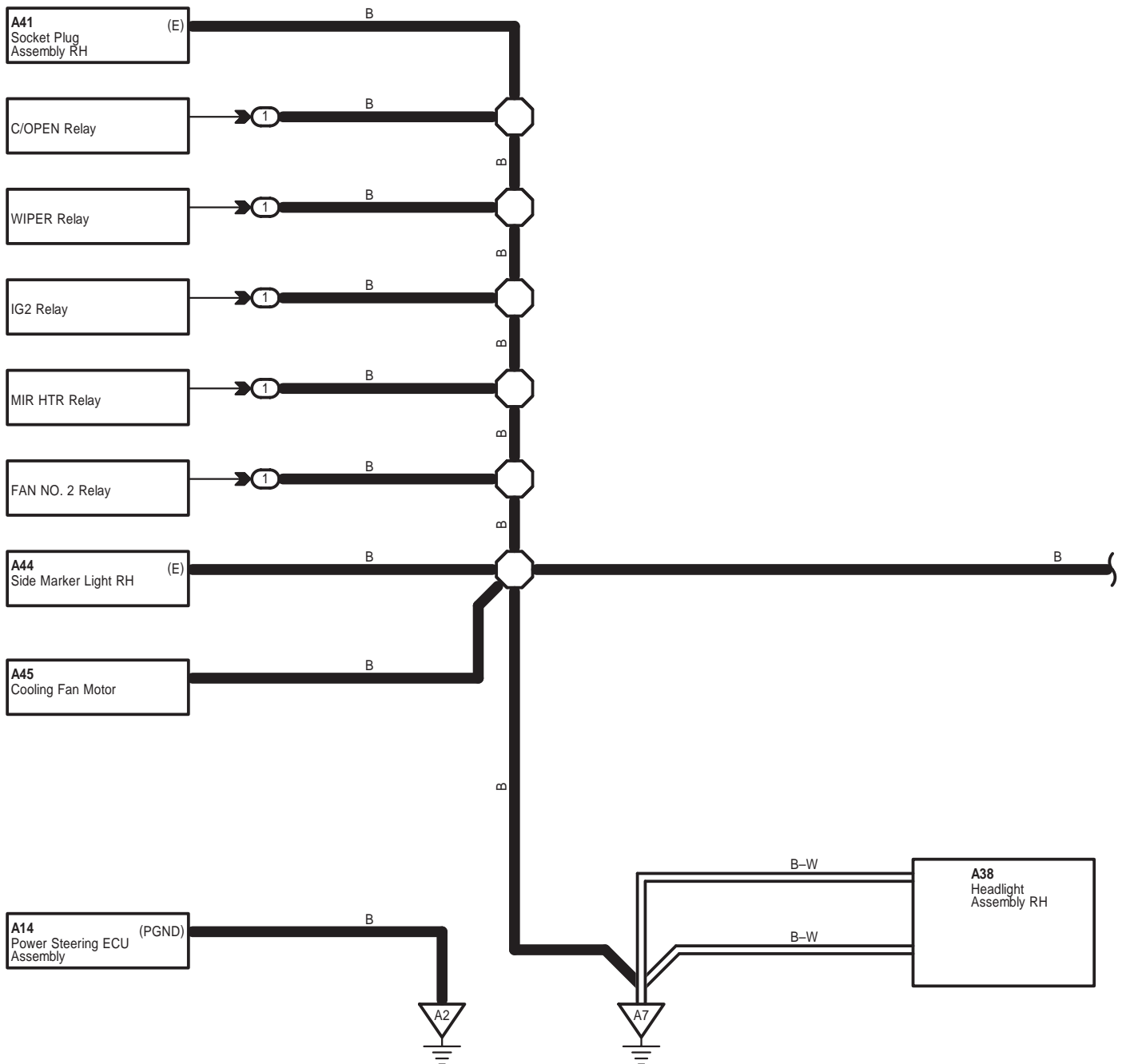
□ : Connector Joining Wire Harness and Wire Harness

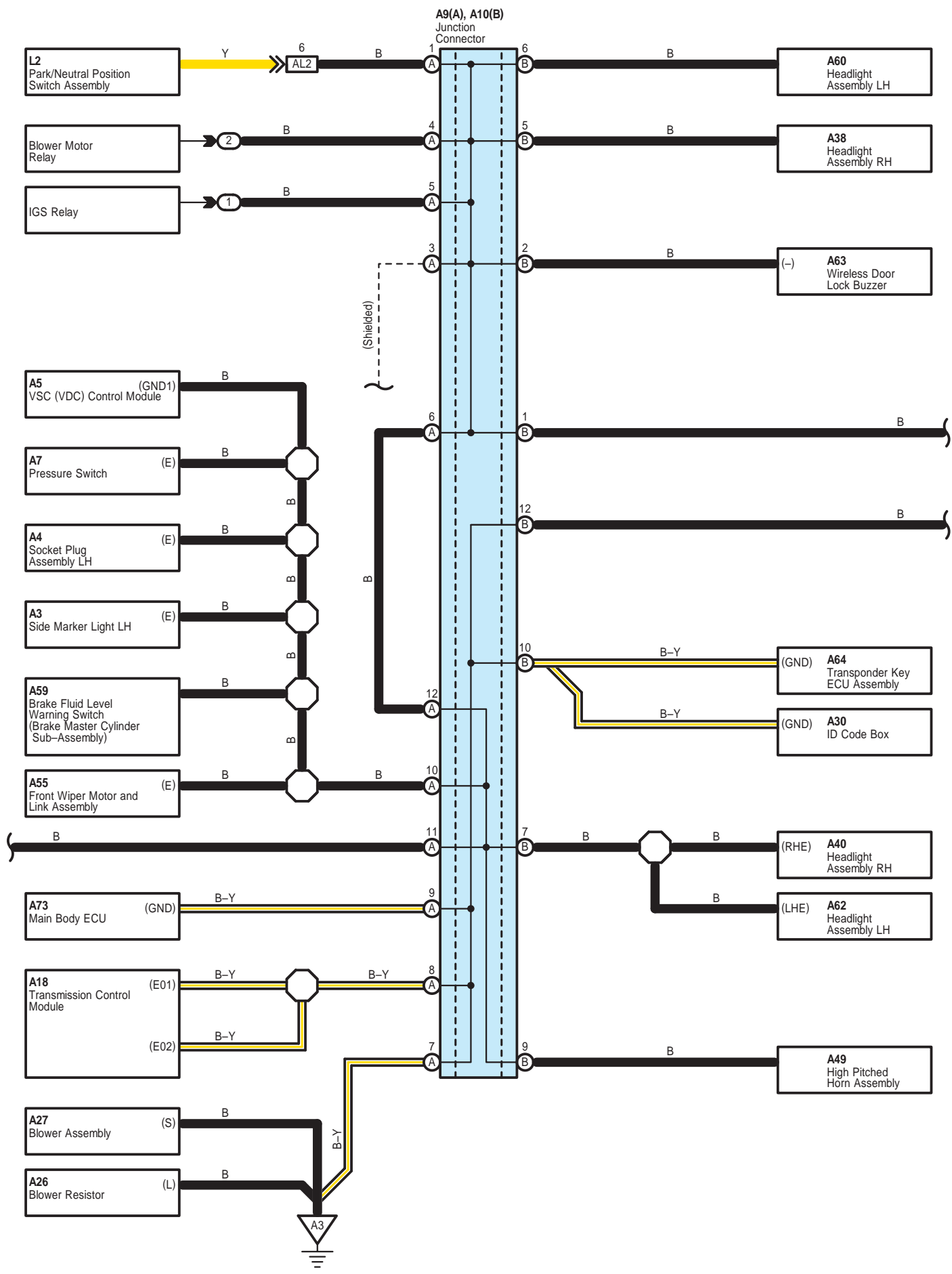
Code	See Page	Joining Wire Harness and Wire Harness (Connector Location)
AD2	47	Engine Room Main Wire and Instrument Panel Wire (Cowl Side Panel RH)

▽ : Ground Points

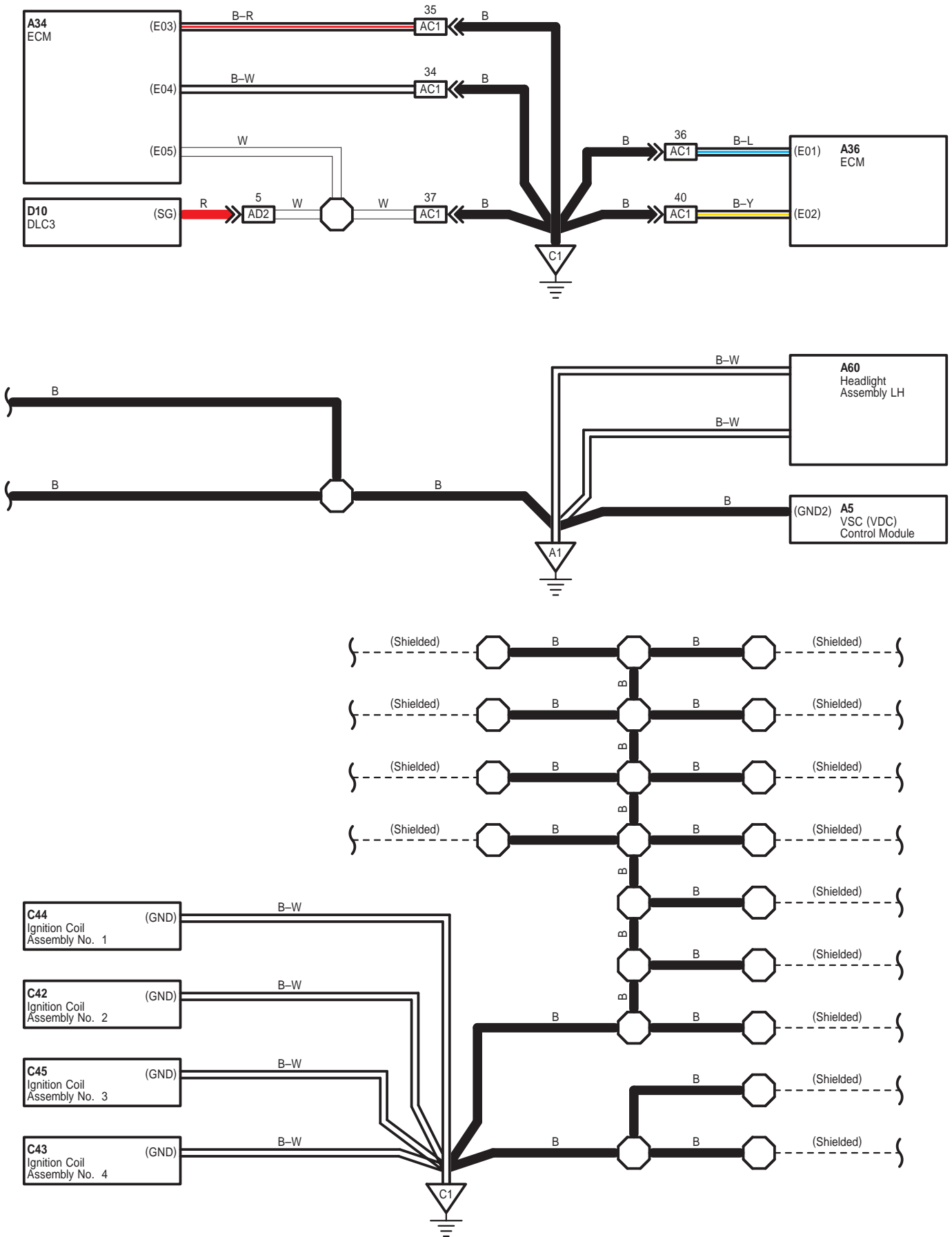
Code	See Page	Ground Points Location
A3	47	Cowl Side Panel RH
A7	46	Front Fender Apron RH
D1	47	Cowl Side Panel LH
D3	47	Instrument Panel Brace RH

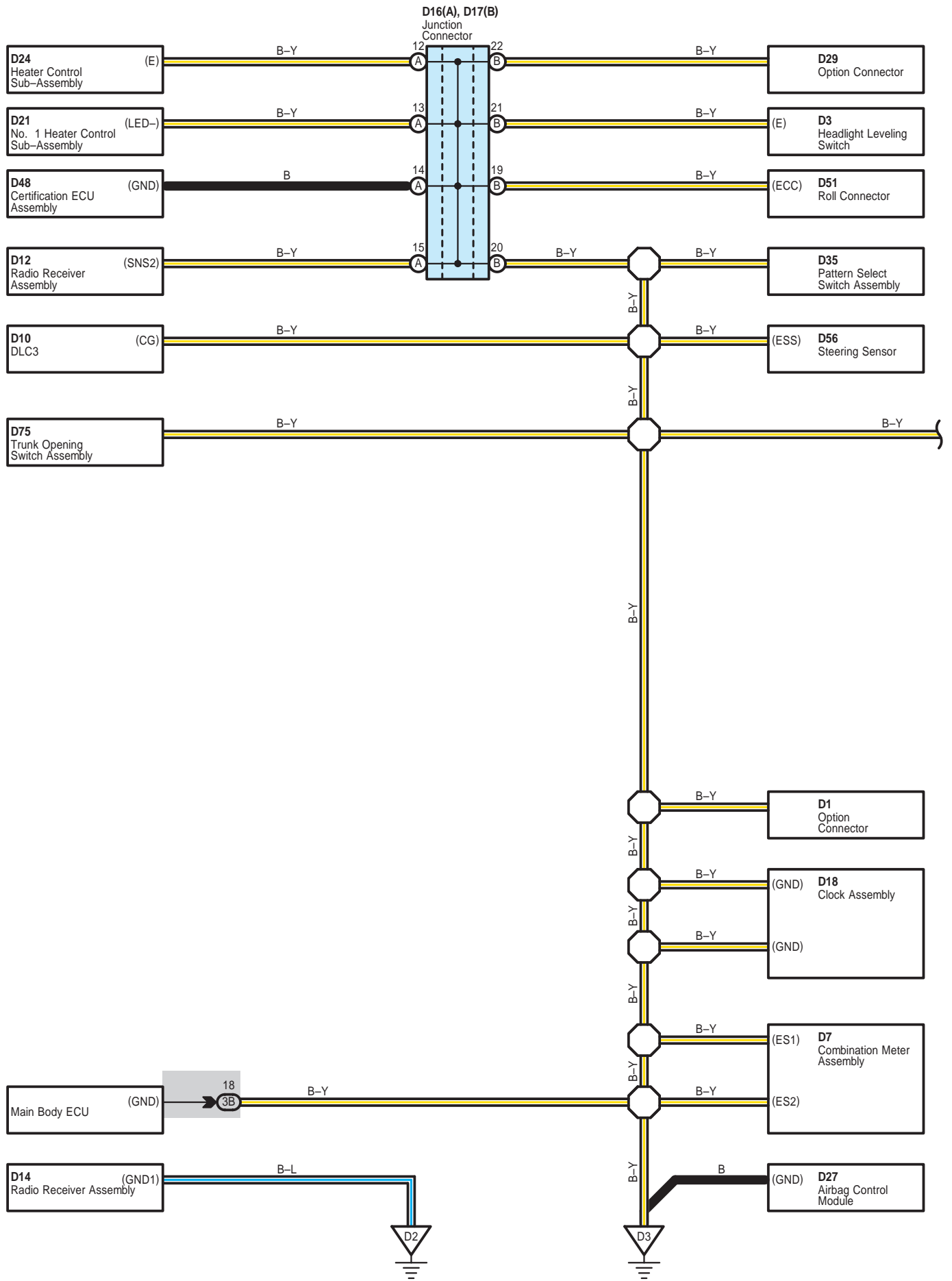
I GROUND POINT



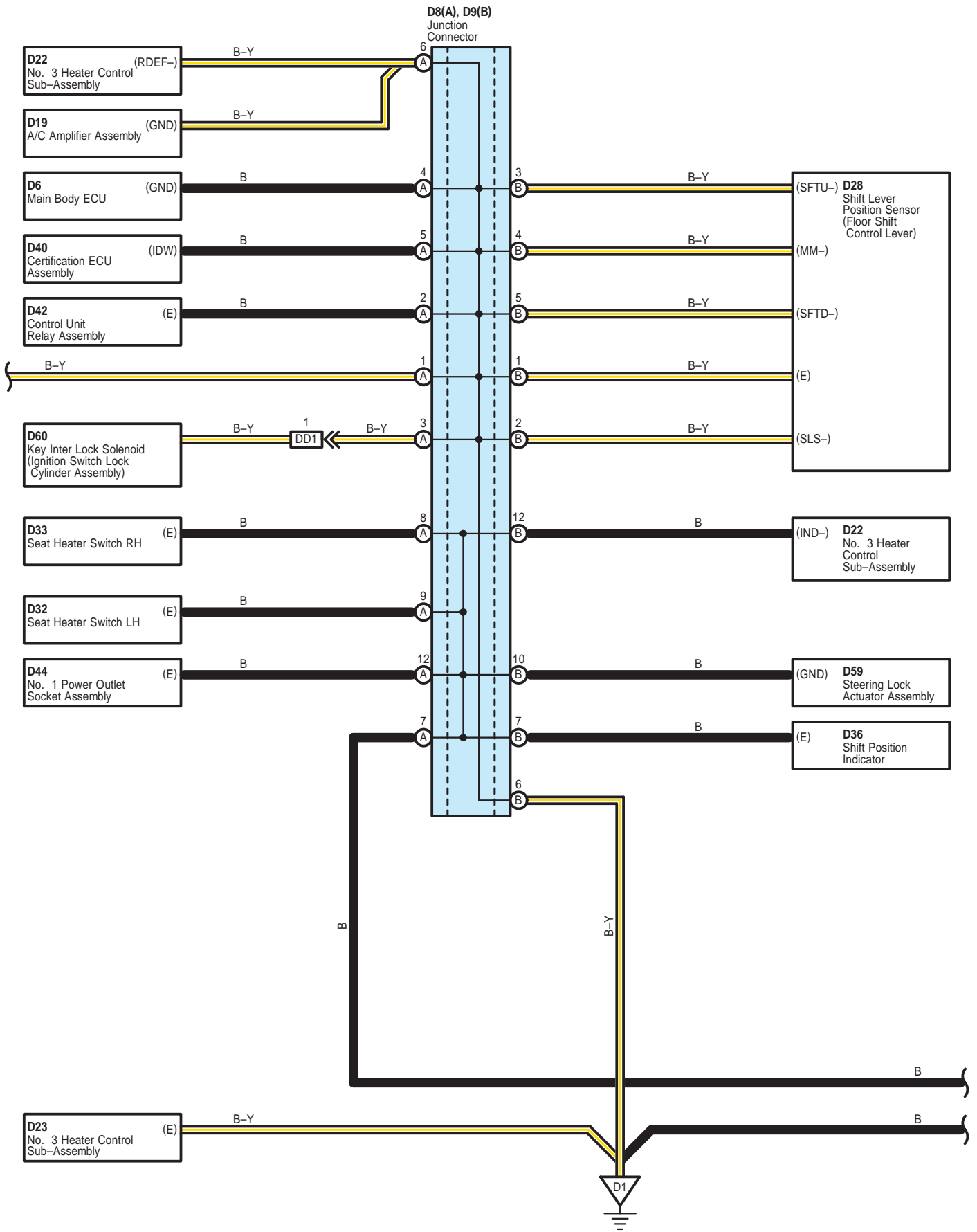


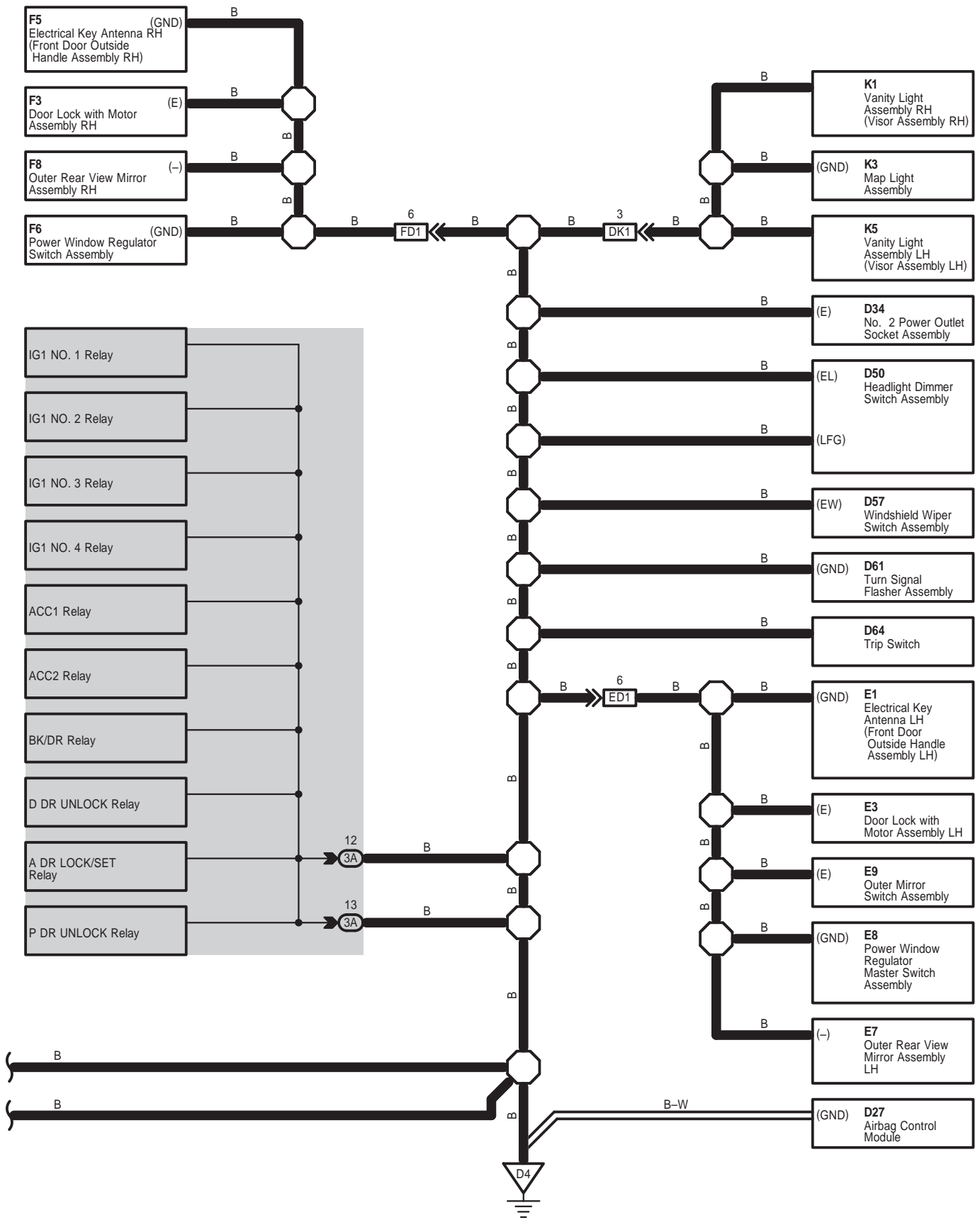
I GROUND POINT



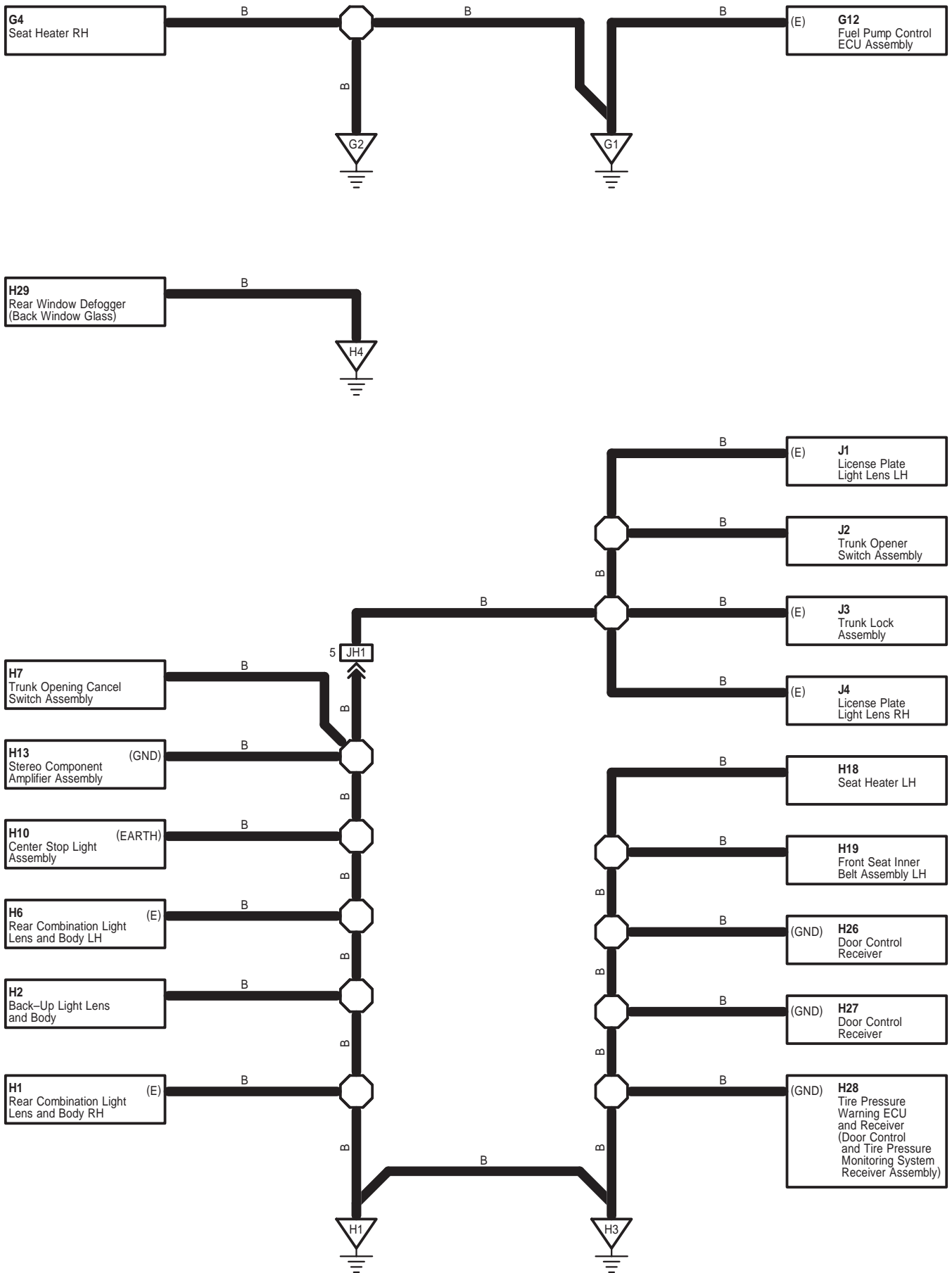


I GROUND POINT





I GROUND POINT



○ : Parts Location

Code		See Page	Code		See Page	Code		See Page
A9	A	42	D8	A	40	D16	A	40
A10	B	42	D9	B	40	D17	B	40

○ : Relay Blocks

Code	See Page	Relay Blocks (Relay Block Location)
1	24	Engine Room R/B (Engine Compartment Right)
2	25	R/B No. 2 (Behind Glove Box)

○ : Junction Block and Wire Harness Connector

Code	See Page	Junction Block and Wire Harness (Connector Location)
3A	26	Instrument Panel Wire and Instrument Panel J/B Assembly (Instrument Panel Reinforcement)
3B		

□ : Connector Joining Wire Harness and Wire Harness

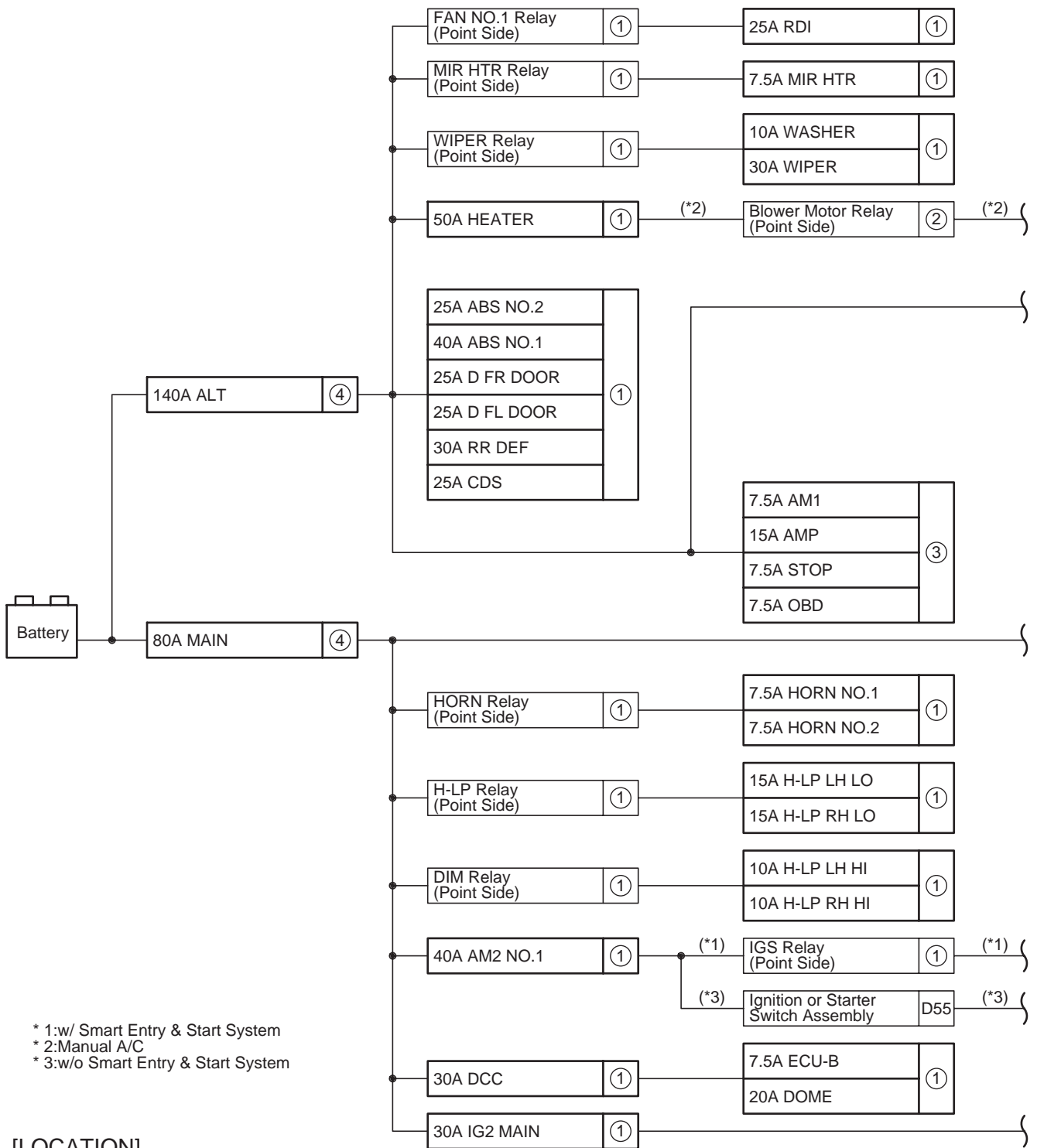
Code	See Page	Joining Wire Harness and Wire Harness (Connector Location)
AC1	46	Engine Room Main Wire and Engine Wire (Engine Unit)
AD2	47	Engine Room Main Wire and Instrument Panel Wire (Cowl Side Panel RH)
AL2	46	Engine Room Main Wire and Transmission Wire (Dash Panel)
DD1	47	Instrument Panel Wire and Instrument Panel Wire (Cowl Side Panel LH)
DK1	47	Instrument Panel Wire and Roof Wire (Front Body Inner Pillar RH)
ED1	47	Front Door Wire LH and Instrument Panel Wire (Cowl Side Panel LH)
FD1	47	Front Door Wire RH and Instrument Panel Wire (Cowl Side Panel RH)
JH1	48	Trunk Wire and No. 2 Floor Wire (Quarter Panel LH)

▽ : Ground Points

Code	See Page	Ground Points Location
A1	46	Front Fender Apron LH
A2	47	Cowl Side Panel LH
A3	47	Cowl Side Panel RH
A7	46	Front Fender Apron RH
C1	46	Engine Unit
D1	47	Cowl Side Panel LH
D2	47	Instrument Panel Brace LH
D3	47	Instrument Panel Brace RH
D4	47	Cowl Side Panel RH
G1	48	Quarter Wheel House Panel RH
G2		
H1	48	Lower Back Panel
H3	48	Quarter Wheel House Panel LH
H4	48	Upper Back Panel

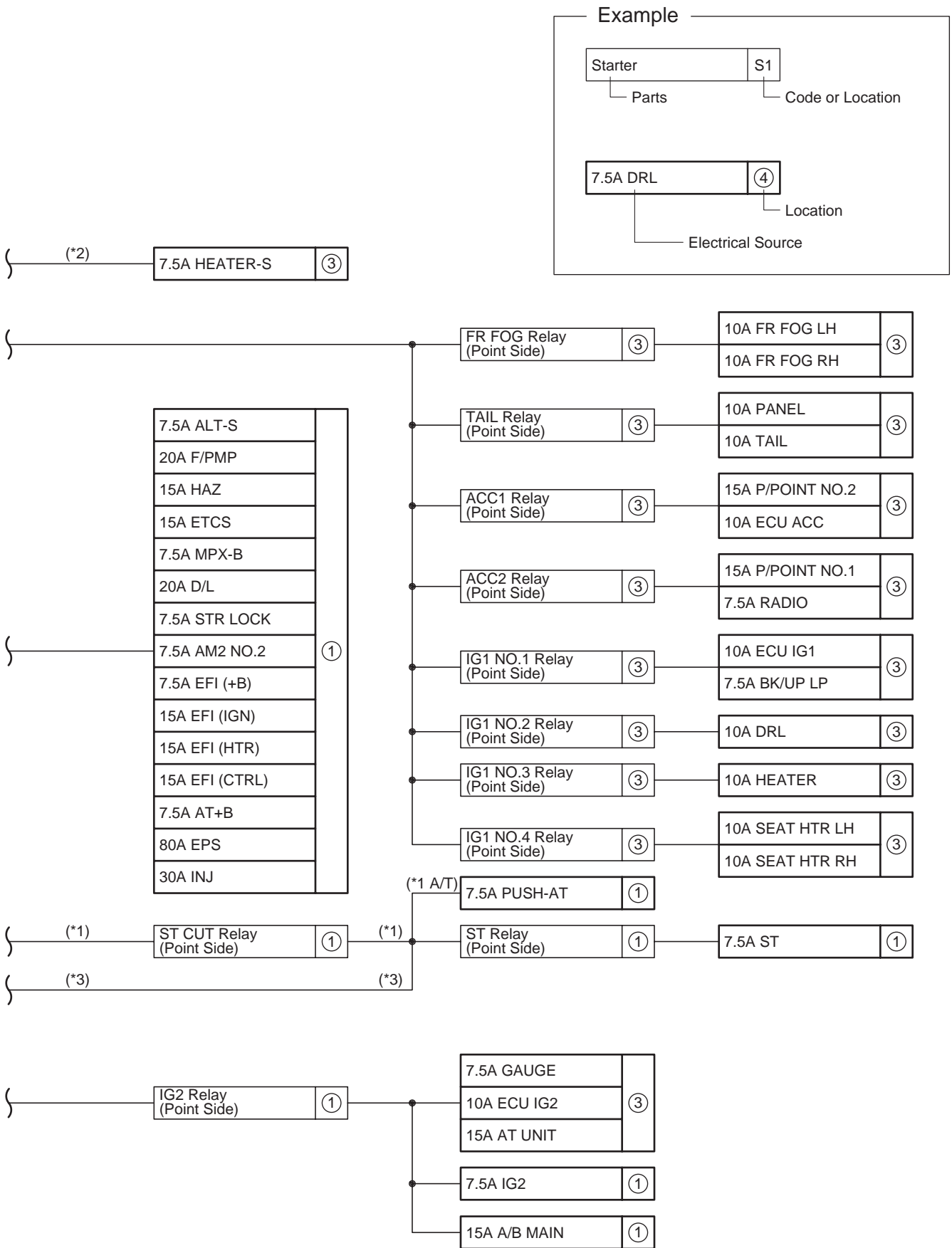
J POWER SOURCE (Current Flow Chart)

The chart below shows the route by which current flows from the battery to each electrical source (Fusible Link, Circuit Breaker, Fuse, etc.) and other Parts.



[LOCATION]

- ① : Engine Room R/B and Engine Room J/B (See Page 24)
- ② : R/B No. 2 (See Page 25)
- ③ : Instrument Panel J/B Assembly (See Page 26)
- ④ : Fusible Link Block Assembly (See Page 36)



J POWER SOURCE (Current Flow Chart)

Engine Room R/B and Engine Room J/B (See Page 24)

Fuse		System	Page
7.5A	ALT-S	Charging	92
7.5A	AM2 NO.2	Cruise Control, Electronically Controlled Transmission and A/T Indicator (A/T), Engine Control, Shift Indicator (M/T) and Shift Lock Engine Immobiliser System (w/ Smart Entry & Start System), Smart Entry & Start System, Starting (w/ Smart Entry & Start System), Steering Lock (w/ Smart Entry & Start System) and Wireless Door Lock Control (w/ Smart Entry & Start System)	100 60
7.5A	AT+B	Cruise Control, Electronically Controlled Transmission and A/T Indicator (A/T), Engine Control, Shift Indicator (M/T) and Shift Lock	100
7.5A	ECU-B	ABS, TRAC and VSC Air Conditioning (Automatic A/C) Air Conditioning (Manual A/C) Automatic Light Control and Light Auto Turn Off System Combination Meter Cruise Control, Electronically Controlled Transmission and A/T Indicator (A/T), Engine Control, Shift Indicator (M/T) and Shift Lock Door Lock Control Engine Immobiliser System (w/ Smart Entry & Start System), Smart Entry & Start System, Starting (w/ Smart Entry & Start System), Steering Lock (w/ Smart Entry & Start System) and Wireless Door Lock Control (w/ Smart Entry & Start System) Engine Immobiliser System (w/o Smart Entry & Start System) Front Fog Light Headlight Headlight Beam Level Control Illumination and Taillight Interior Light Key Reminder (w/o Smart Entry & Start System) and Light Reminder Mirror Heater and Rear Window Defogger Option Connector Power Window Theft Deterrent Tire Pressure Warning System Trunk Opener Wireless Door Lock Control (w/o Smart Entry & Start System)	226 350 362 206 334 100 270 60 140 198 154 214 176 188 220 302 372 264 314 256 286 276
7.5A	EFI(+B)	Cruise Control, Electronically Controlled Transmission and A/T Indicator (A/T), Engine Control, Shift Indicator (M/T) and Shift Lock	100
7.5A	HORN NO.1	Horn	310
7.5A	HORN NO.2	Horn	310
7.5A	IG2	Cruise Control, Electronically Controlled Transmission and A/T Indicator (A/T), Engine Control, Shift Indicator (M/T) and Shift Lock	100

* These are the page numbers of the first page on which the related system is shown.

Fuse		System	Page
7.5A	IG2	Engine Immobiliser System (w/ Smart Entry & Start System), Smart Entry & Start System, Starting (w/ Smart Entry & Start System), Steering Lock (w/ Smart Entry & Start System) and Wireless Door Lock Control (w/ Smart Entry & Start System)	60
7.5A	MIR HTR	Mirror Heater and Rear Window Defogger	302
7.5A	MPX-B	ABS, TRAC and VSC	226
		Air Conditioning (Automatic A/C)	350
		Air Conditioning (Manual A/C)	362
		Automatic Light Control and Light Auto Turn Off System	206
		Combination Meter	334
		Cruise Control, Electronically Controlled Transmission and A/T Indicator (A/T), Engine Control, Shift Indicator (M/T) and Shift Lock	100
		Door Lock Control	270
		Engine Immobiliser System (w/ Smart Entry & Start System), Smart Entry & Start System, Starting (w/ Smart Entry & Start System), Steering Lock (w/ Smart Entry & Start System) and Wireless Door Lock Control (w/ Smart Entry & Start System)	60
		Engine Immobiliser System (w/o Smart Entry & Start System)	140
		EPS	246
		Front Fog Light	198
		Headlight	154
		Headlight Beam Level Control	214
		Illumination and Taillight	176
		Interior Light	188
		Key Reminder (w/o Smart Entry & Start System) and Light Reminder	220
		Mirror Heater and Rear Window Defogger	302
		Option Connector	372
		Power Window	264
Seat Belt Warning	252		
SRS	239		
Theft Deterrent	314		
Tire Pressure Warning System	256		
Trunk Opener	286		
Wireless Door Lock Control (w/o Smart Entry & Start System)	276		
7.5A	PUSH-AT	Cruise Control, Electronically Controlled Transmission and A/T Indicator (A/T), Engine Control, Shift Indicator (M/T) and Shift Lock	100
7.5A		Engine Immobiliser System (w/ Smart Entry & Start System), Smart Entry & Start System, Starting (w/ Smart Entry & Start System), Steering Lock (w/ Smart Entry & Start System) and Wireless Door Lock Control (w/ Smart Entry & Start System)	60
7.5A	ST	Cruise Control, Electronically Controlled Transmission and A/T Indicator (A/T), Engine Control, Shift Indicator (M/T) and Shift Lock	100

* These are the page numbers of the first page on which the related system is shown.

J POWER SOURCE (Current Flow Chart)

Fuse		System	Page
7.5A	ST	Engine Immobiliser System (w/ Smart Entry & Start System), Smart Entry & Start System, Starting (w/ Smart Entry & Start System), Steering Lock (w/ Smart Entry & Start System) and Wireless Door Lock Control (w/ Smart Entry & Start System)	60
		Starting (w/o Smart Entry & Start System)	88
7.5A	STR LOCK	Engine Immobiliser System (w/ Smart Entry & Start System), Smart Entry & Start System, Starting (w/ Smart Entry & Start System), Steering Lock (w/ Smart Entry & Start System) and Wireless Door Lock Control (w/ Smart Entry & Start System)	60
10A	H-LP LH HI	Headlight	154
10A	H-LP RH HI	Headlight	154
10A	WASHER	Front Wiper and Washer	296
15A	A/B MAIN	Seat Belt Warning	252
		SRS	239
15A	EFI(CTRL)	Cruise Control, Electronically Controlled Transmission and A/T Indicator (A/T), Engine Control, Shift Indicator (M/T) and Shift Lock	100
15A	EFI(HTR)	Cruise Control, Electronically Controlled Transmission and A/T Indicator (A/T), Engine Control, Shift Indicator (M/T) and Shift Lock	100
15A	EFI(IGN)	Ignition	96
15A	ETCS	Cruise Control, Electronically Controlled Transmission and A/T Indicator (A/T), Engine Control, Shift Indicator (M/T) and Shift Lock	100
15A	HAZ	ABS, TRAC and VSC	226
		Air Conditioning (Automatic A/C)	350
		Air Conditioning (Manual A/C)	362
		Automatic Light Control and Light Auto Turn Off System	206
		Combination Meter	334
		Cruise Control, Electronically Controlled Transmission and A/T Indicator (A/T), Engine Control, Shift Indicator (M/T) and Shift Lock	100
		Door Lock Control	270
		Engine Immobiliser System (w/ Smart Entry & Start System), Smart Entry & Start System, Starting (w/ Smart Entry & Start System), Steering Lock (w/ Smart Entry & Start System) and Wireless Door Lock Control (w/ Smart Entry & Start System)	60
		Engine Immobiliser System (w/o Smart Entry & Start System)	140
		Front Fog Light	198
		Headlight	154
		Headlight Beam Level Control	214
		Illumination and Taillight	176
		Interior Light	188
		Key Reminder (w/o Smart Entry & Start System) and Light Reminder	220
		Mirror Heater and Rear Window Defogger	302
Option Connector	372		
Power Window	264		

* These are the page numbers of the first page on which the related system is shown.

Fuse		System	Page
15A	HAZ	Theft Deterrent	314
		Tire Pressure Warning System	256
		Trunk Opener	286
		Turn Signal and Hazard Warning Light	170
		Wireless Door Lock Control (w/o Smart Entry & Start System)	276
15A	H-LP LH LO	Headlight	154
15A	H-LP RH LO	Headlight	154
20A	D/L	Door Lock Control	270
		Engine Immobiliser System (w/ Smart Entry & Start System), Smart Entry & Start System, Starting (w/ Smart Entry & Start System), Steering Lock (w/ Smart Entry & Start System) and Wireless Door Lock Control (w/ Smart Entry & Start System)	60
		Trunk Opener	286
		Wireless Door Lock Control (w/o Smart Entry & Start System)	276
20A	DOME	Audio System	324
		Clock	262
		Engine Immobiliser System (w/ Smart Entry & Start System), Smart Entry & Start System, Starting (w/ Smart Entry & Start System), Steering Lock (w/ Smart Entry & Start System) and Wireless Door Lock Control (w/ Smart Entry & Start System)	60
		Interior Light	188
		Option Connector	372
		Seat Belt Warning	252
		SRS	239
		Theft Deterrent	314
		Wireless Door Lock Control (w/o Smart Entry & Start System)	276
20A	F/PMP	Cruise Control, Electronically Controlled Transmission and A/T Indicator (A/T), Engine Control, Shift Indicator (M/T) and Shift Lock	100
25A	ABS NO.2	ABS, TRAC and VSC	226
25A	CDS	Cooling Fan	346
25A	D FL DOOR	Power Window	264
25A	D FR DOOR	Power Window	264
25A	RDI	Cooling Fan	346
30A	IG2 MAIN	Cruise Control, Electronically Controlled Transmission and A/T Indicator (A/T), Engine Control, Shift Indicator (M/T) and Shift Lock	100
		Engine Immobiliser System (w/ Smart Entry & Start System), Smart Entry & Start System, Starting (w/ Smart Entry & Start System), Steering Lock (w/ Smart Entry & Start System) and Wireless Door Lock Control (w/ Smart Entry & Start System)	60
30A	INJ	Cruise Control, Electronically Controlled Transmission and A/T Indicator (A/T), Engine Control, Shift Indicator (M/T) and Shift Lock	100
30A	RR DEF	Mirror Heater and Rear Window Defogger	302
30A	WIPER	Front Wiper and Washer	296
40A	ABS NO.1	ABS, TRAC and VSC	226

* These are the page numbers of the first page on which the related system is shown.

J POWER SOURCE (Current Flow Chart)

Fuse		System	Page
40A	AM2 NO.1	Cruise Control, Electronically Controlled Transmission and A/T Indicator (A/T), Engine Control, Shift Indicator (M/T) and Shift Lock	100
		Engine Immobiliser System (w/ Smart Entry & Start System), Smart Entry & Start System, Starting (w/ Smart Entry & Start System), Steering Lock (w/ Smart Entry & Start System) and Wireless Door Lock Control (w/ Smart Entry & Start System)	60
		Starting (w/o Smart Entry & Start System)	88
50A	HEATER	Air Conditioning (Automatic A/C)	350
		Air Conditioning (Manual A/C)	362
80A	EPS	EPS	246

Instrument Panel J/B Assembly (See Page 26)

Fuse		System	Page
7.5A	AM1	Cruise Control, Electronically Controlled Transmission and A/T Indicator (A/T), Engine Control, Shift Indicator (M/T) and Shift Lock	100
		Starting (w/o Smart Entry & Start System)	88
7.5A	BK/UP LP	ABS, TRAC and VSC	226
		Audio System	324
		Back-Up Light	168
		Cruise Control, Electronically Controlled Transmission and A/T Indicator (A/T), Engine Control, Shift Indicator (M/T) and Shift Lock	100
		Headlight	154
		Trunk Opener	286
7.5A	GAUGE	ABS, TRAC and VSC	226
		Air Conditioning (Automatic A/C)	350
		Charging	92
		Clock	262
		Combination Meter	334
		Cruise Control, Electronically Controlled Transmission and A/T Indicator (A/T), Engine Control, Shift Indicator (M/T) and Shift Lock	100
		Engine Immobiliser System (w/ Smart Entry & Start System), Smart Entry & Start System, Starting (w/ Smart Entry & Start System), Steering Lock (w/ Smart Entry & Start System) and Wireless Door Lock Control (w/ Smart Entry & Start System)	60
		Engine Immobiliser System (w/o Smart Entry & Start System)	140
		EPS	246
		Front Fog Light	198
		Headlight	154
		Illumination and Taillight	176
		Key Reminder (w/o Smart Entry & Start System) and Light Reminder	220
		Seat Belt Warning	252
		SRS	239
Theft Deterrent	314		
Tire Pressure Warning System	256		

* These are the page numbers of the first page on which the related system is shown.

Fuse		System	Page
7.5A	GAUGE	Turn Signal and Hazard Warning Light	170
7.5A	HEATER-S	Air Conditioning (Manual A/C)	362
7.5A	OBD	DLC3	146
7.5A	RADIO	Air Conditioning (Automatic A/C)	350
		Audio System	324
		Clock	262
		Option Connector	372
		Seat Belt Warning	252
		SRS	239
7.5A	STOP	ABS, TRAC and VSC	226
		Cruise Control, Electronically Controlled Transmission and A/T Indicator (A/T), Engine Control, Shift Indicator (M/T) and Shift Lock	100
		Engine Immobiliser System (w/ Smart Entry & Start System), Smart Entry & Start System, Starting (w/ Smart Entry & Start System), Steering Lock (w/ Smart Entry & Start System) and Wireless Door Lock Control (w/ Smart Entry & Start System)	60
		Stop Light	164
10A	DRL	Automatic Light Control and Light Auto Turn Off System	206
		Headlight	154
10A	ECU ACC	ABS, TRAC and VSC	226
		Air Conditioning (Automatic A/C)	350
		Air Conditioning (Manual A/C)	362
		Automatic Light Control and Light Auto Turn Off System	206
		Combination Meter	334
		Cruise Control, Electronically Controlled Transmission and A/T Indicator (A/T), Engine Control, Shift Indicator (M/T) and Shift Lock	100
		Door Lock Control	270
		Engine Immobiliser System (w/ Smart Entry & Start System), Smart Entry & Start System, Starting (w/ Smart Entry & Start System), Steering Lock (w/ Smart Entry & Start System) and Wireless Door Lock Control (w/ Smart Entry & Start System)	60
		Engine Immobiliser System (w/o Smart Entry & Start System)	140
		Front Fog Light	198
		Headlight	154
		Headlight Beam Level Control	214
		Illumination and Taillight	176
		Interior Light	188
		Key Reminder (w/o Smart Entry & Start System) and Light Reminder	220
		Mirror Heater and Rear Window Defogger	302
Option Connector	372		
Power Window	264		
Remote Control Mirror	300		
Theft Deterrent	314		

* These are the page numbers of the first page on which the related system is shown.

J POWER SOURCE (Current Flow Chart)

Fuse		System	Page
10A	ECU ACC	Tire Pressure Warning System	256
		Trunk Opener	286
		Wireless Door Lock Control (w/o Smart Entry & Start System)	276
10A	ECU IG1	ABS, TRAC and VSC	226
		Air Conditioning (Automatic A/C)	350
		Air Conditioning (Manual A/C)	362
		Automatic Light Control and Light Auto Turn Off System	206
		Combination Meter	334
		Cooling Fan	346
		Cruise Control, Electronically Controlled Transmission and A/T Indicator (A/T), Engine Control, Shift Indicator (M/T) and Shift Lock	100
		Door Lock Control	270
		Engine Immobiliser System (w/ Smart Entry & Start System), Smart Entry & Start System, Starting (w/ Smart Entry & Start System), Steering Lock (w/ Smart Entry & Start System) and Wireless Door Lock Control (w/ Smart Entry & Start System)	60
		Engine Immobiliser System (w/o Smart Entry & Start System)	140
		EPS	246
		Front Fog Light	198
		Front Wiper and Washer	296
		Headlight	154
		Headlight Beam Level Control	214
		Illumination and Taillight	176
		Interior Light	188
		Key Reminder (w/o Smart Entry & Start System) and Light Reminder	220
		Mirror Heater and Rear Window Defogger	302
		Option Connector	372
Power Window	264		
Theft Deterrent	314		
Tire Pressure Warning System	256		
Trunk Opener	286		
Wireless Door Lock Control (w/o Smart Entry & Start System)	276		
10A	ECU IG2	Cruise Control, Electronically Controlled Transmission and A/T Indicator (A/T), Engine Control, Shift Indicator (M/T) and Shift Lock	100
		DLC3	146
10A	FR FOG LH	Front Fog Light	198
		Option Connector	372
10A	FR FOG RH	Front Fog Light	198
		Option Connector	372
10A	HEATER	Air Conditioning (Automatic A/C)	350
		Air Conditioning (Manual A/C)	362

* These are the page numbers of the first page on which the related system is shown.

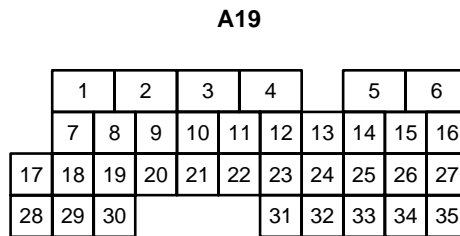
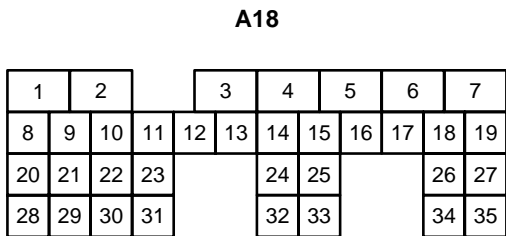
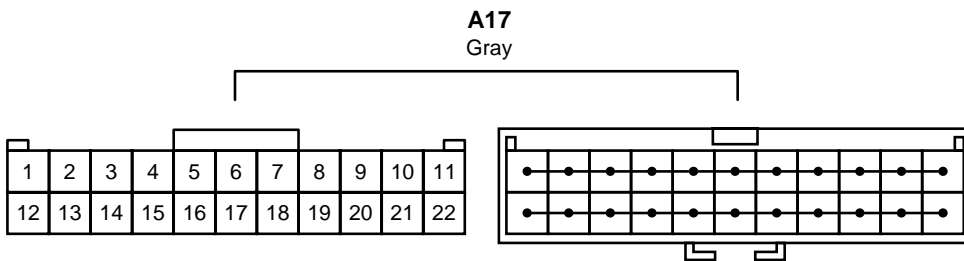
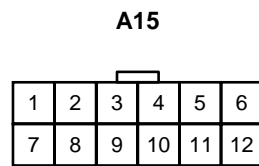
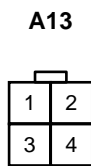
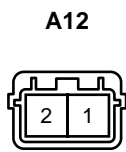
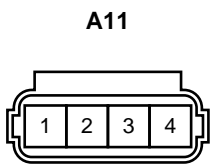
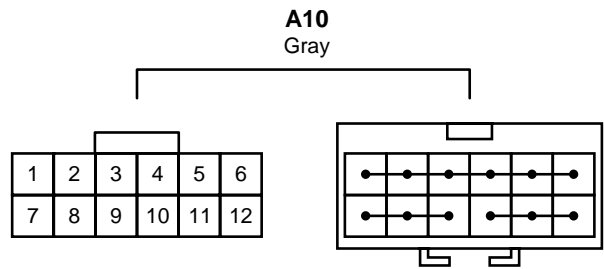
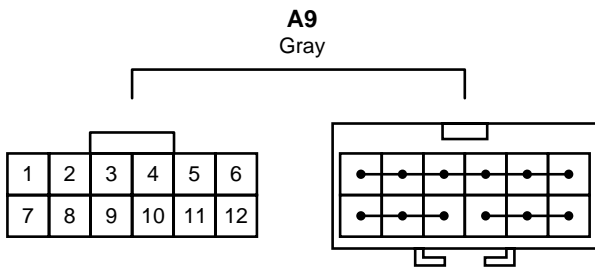
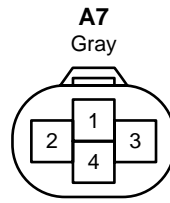
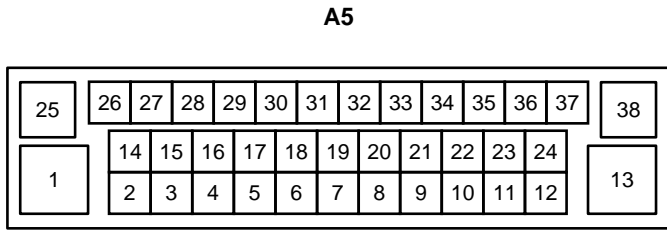
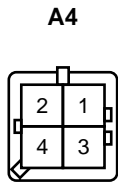
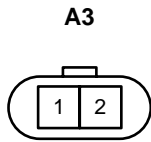
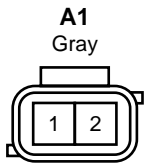
Fuse		System	Page
10A	HEATER	Cooling Fan	346
10A	PANEL	Illumination and Taillight	176
10A	SEAT HTR LH	Seat Heater	308
10A	SEAT HTR RH	Seat Heater	308
10A	TAIL	Front Fog Light	198
		Headlight Beam Level Control	214
		Illumination and Taillight	176
		Option Connector	372
15A	AMP	Audio System	324
15A	AT UNIT	Cruise Control, Electronically Controlled Transmission and A/T Indicator (A/T), Engine Control, Shift Indicator (M/T) and Shift Lock	100
15A	P/POINT NO.1	Power Outlet	312
15A	P/POINT NO.2	Power Outlet	312

Fusible Link Block Assembly (See Page 36)

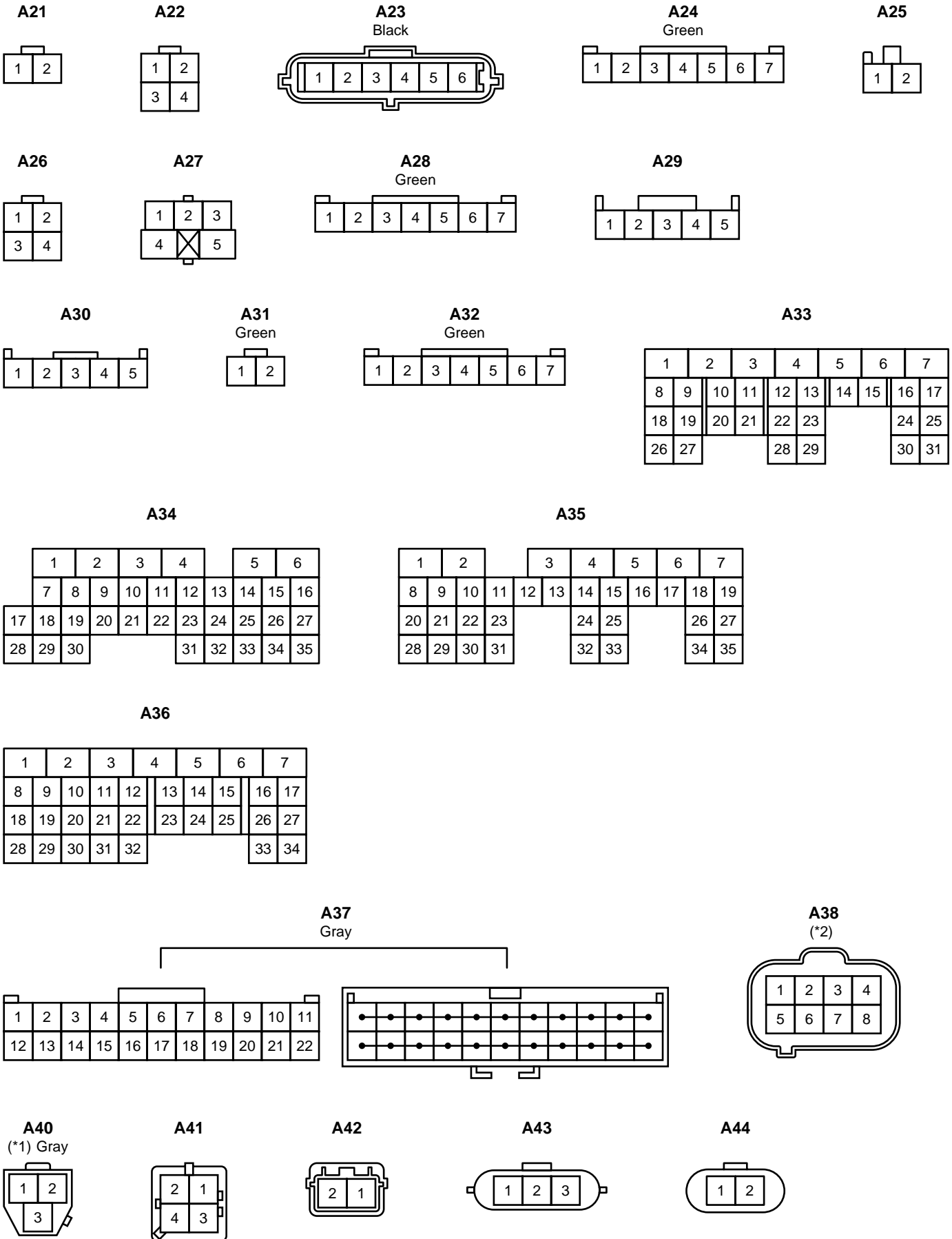
Fuse		System	Page
80A	MAIN	Automatic Light Control and Light Auto Turn Off System	206
		Charging	92
		Engine Immobiliser System (w/ Smart Entry & Start System), Smart Entry & Start System, Starting (w/ Smart Entry & Start System), Steering Lock (w/ Smart Entry & Start System) and Wireless Door Lock Control (w/ Smart Entry & Start System)	60
		Headlight	154
		Horn	310
		Theft Deterrent	314
		Wireless Door Lock Control (w/o Smart Entry & Start System)	276
		140A	ALT
Charging	92		
Cooling Fan	346		
Engine Immobiliser System (w/ Smart Entry & Start System), Smart Entry & Start System, Starting (w/ Smart Entry & Start System), Steering Lock (w/ Smart Entry & Start System) and Wireless Door Lock Control (w/ Smart Entry & Start System)	60		
Front Fog Light	198		
Front Wiper and Washer	296		
Headlight Beam Level Control	214		
Illumination and Taillight	176		
Mirror Heater and Rear Window Defogger	302		
Option Connector	372		
Theft Deterrent	314		
Wireless Door Lock Control (w/o Smart Entry & Start System)	276		

* These are the page numbers of the first page on which the related system is shown.

K CONNECTOR LIST



For all additional information, refer to the end of this section.



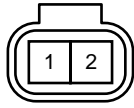
For all additional information, refer to the end of this section.

K CONNECTOR LIST

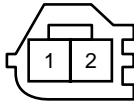
A45



A46
Black



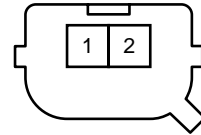
A48



A49



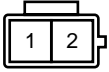
A51



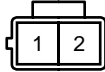
A52



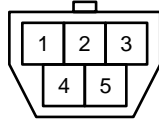
A53
Gray



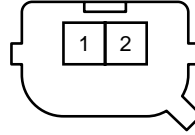
A54
Brown



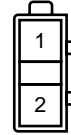
A55
Gray



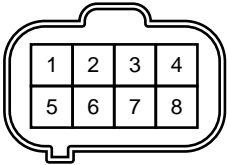
A58



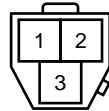
A59



A60
(*2)



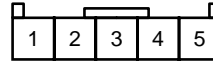
A62
(*1) Gray



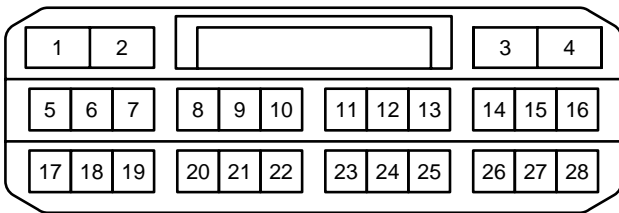
A63
Black



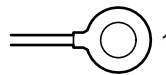
A64



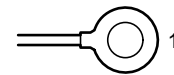
A73



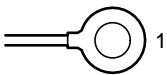
A75



A76



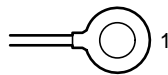
A77



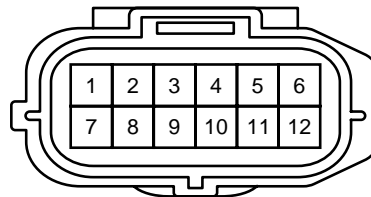
B1



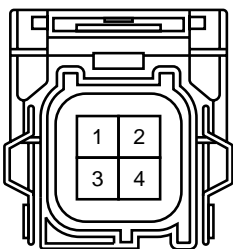
B2



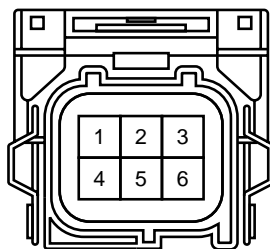
C1
Black



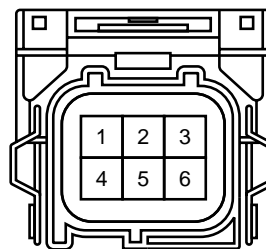
C2
Gray



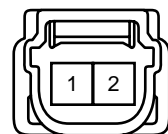
C3
Black



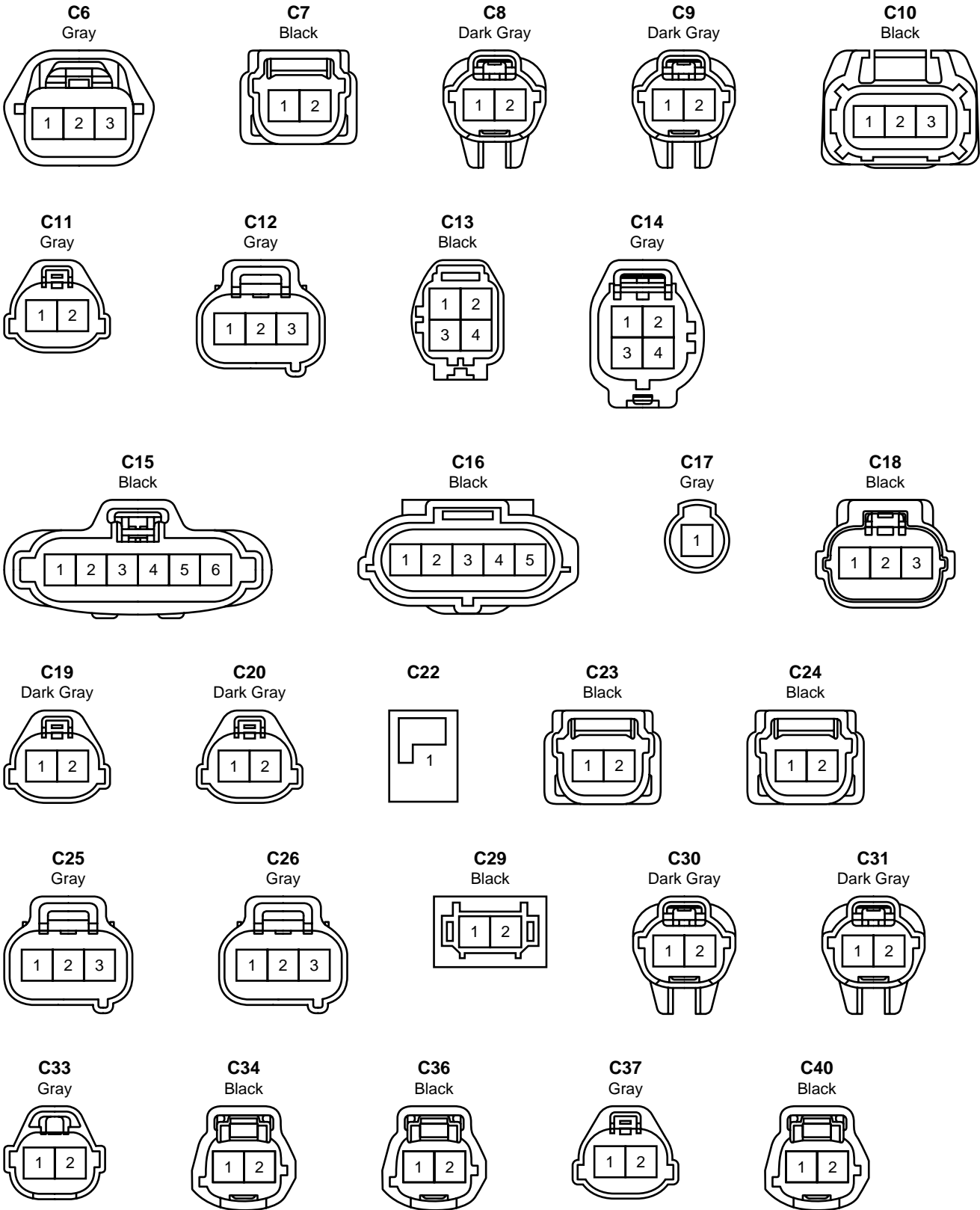
C4
Gray



C5
Black

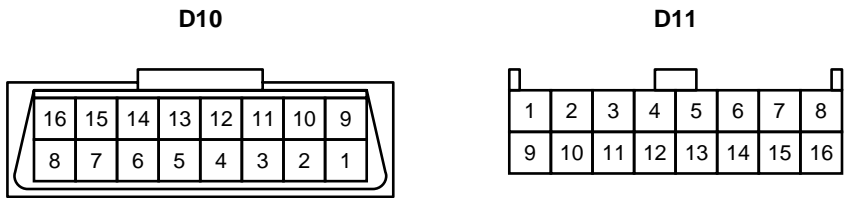
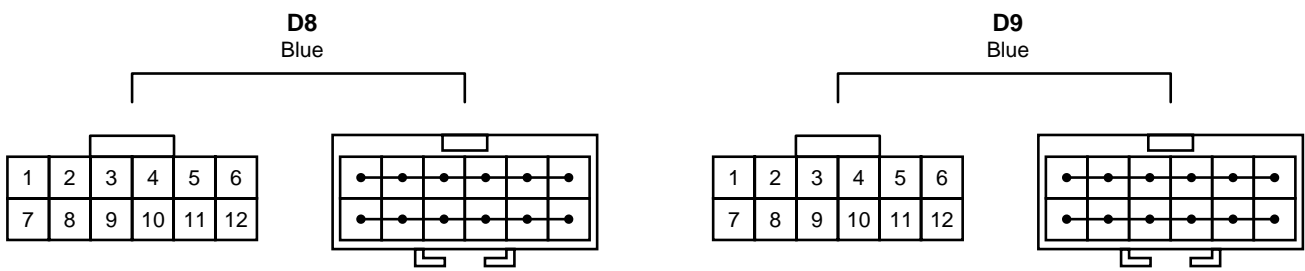
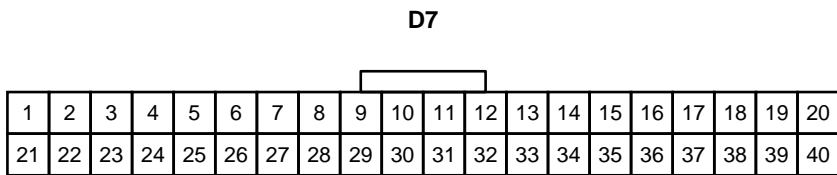
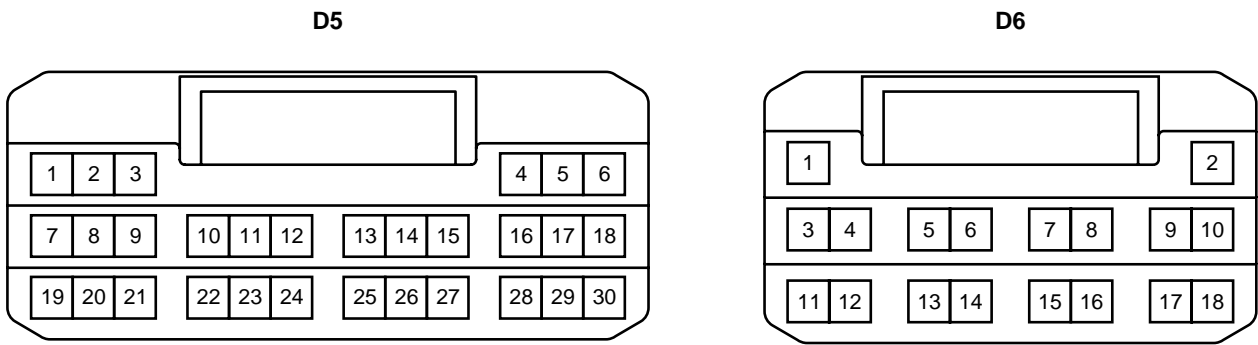
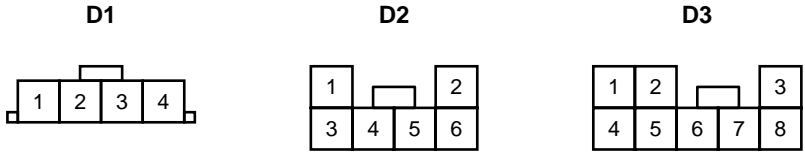
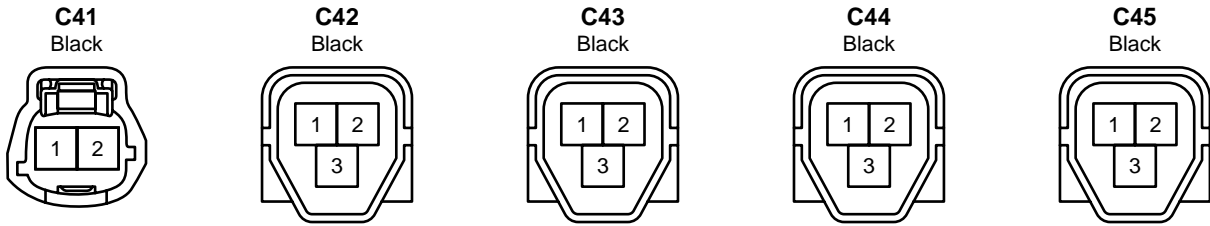


For all additional information, refer to the end of this section.



For all additional information, refer to the end of this section.

K CONNECTOR LIST



For all additional information, refer to the end of this section.

D12

1	2	3	4	5	6	7	8	9	10	11	12	13	14
15	16	17	18	19	20	21	22	23	24	25	26	27	28

D13

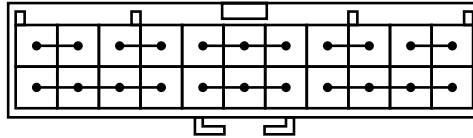
1	2		
3	4	5	6

D14

1	2	3	4		
5	6	7	8	9	10

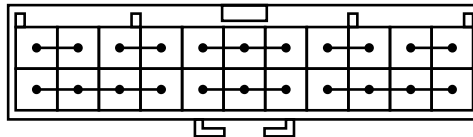
D16
Black

1	2	3	4	5	6	7	8	9	10	11
12	13	14	15	16	17	18	19	20	21	22



D17
Black

1	2	3	4	5	6	7	8	9	10	11
12	13	14	15	16	17	18	19	20	21	22



D18

1	2	3	4	5	6	7
8	9	10	11	12	13	14

D19

1	2	3	4	5	6	7	8
9	10	11	12	13	14	15	16

D20

1	2	3	4	5	6	7	8	9	10	11	12
13	14	15	16	17	18	19	20	21	22	23	24

D21

1	2	3	4	5	6	7	8
---	---	---	---	---	---	---	---

D22

1	2	3	4
5	6	7	8

D23

1	2	3	4	5
6	7	8	9	10

D24

1	2	3	4	5	6	7	8
---	---	---	---	---	---	---	---

D25

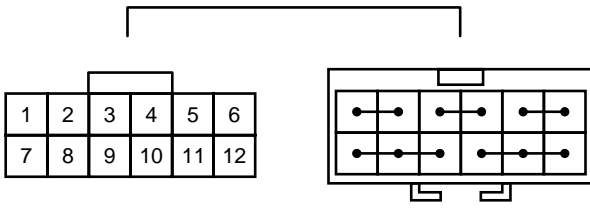
1	2	3	4	5
6	7	8	9	10

D26

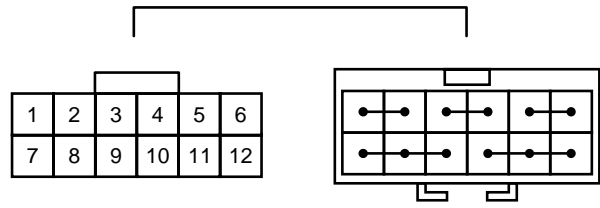
1	2	3
---	---	---

For all additional information, refer to the end of this section.

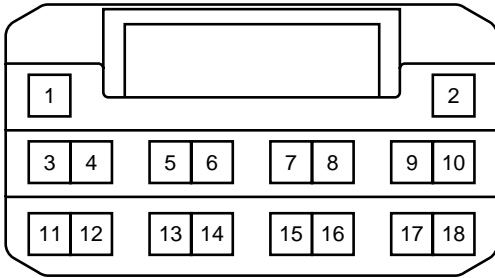
D46
Black



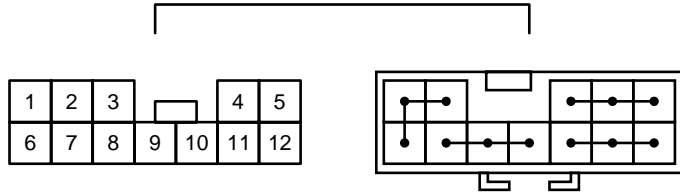
D47
Black



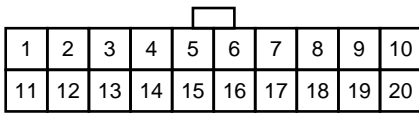
D48



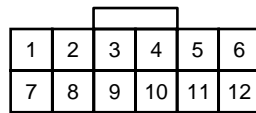
D49



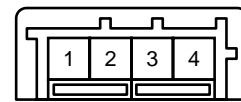
D50



D51



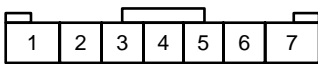
D52



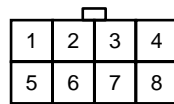
D53



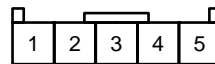
D54
Black



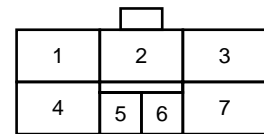
D55



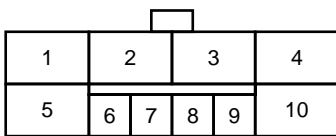
D56



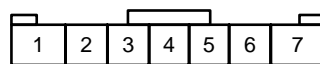
D57



D58



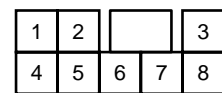
D59
Black



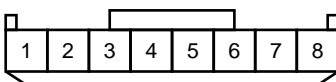
D60



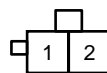
D61



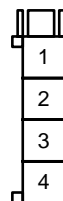
D64



D65



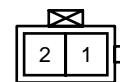
D66



D71

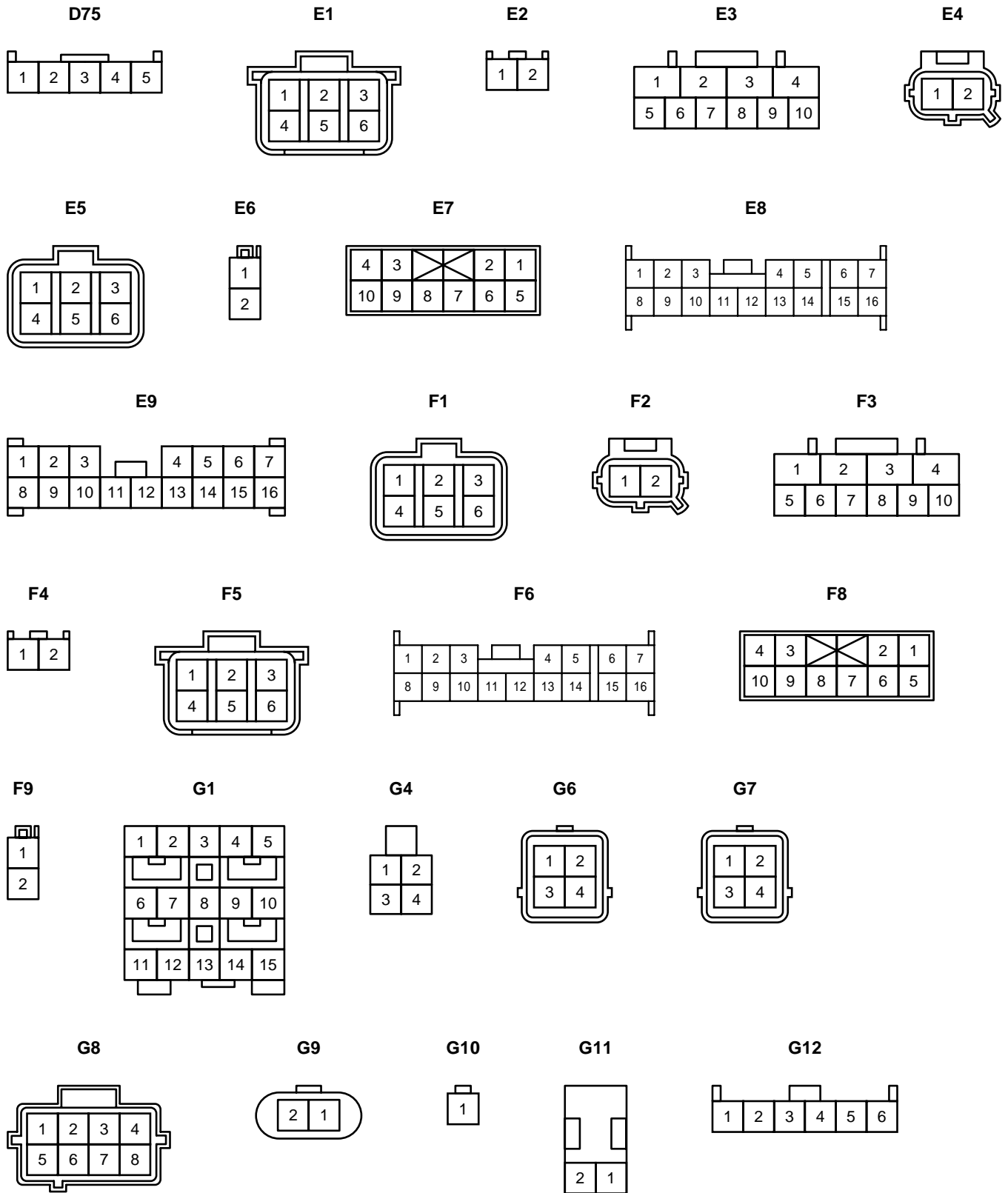


D74

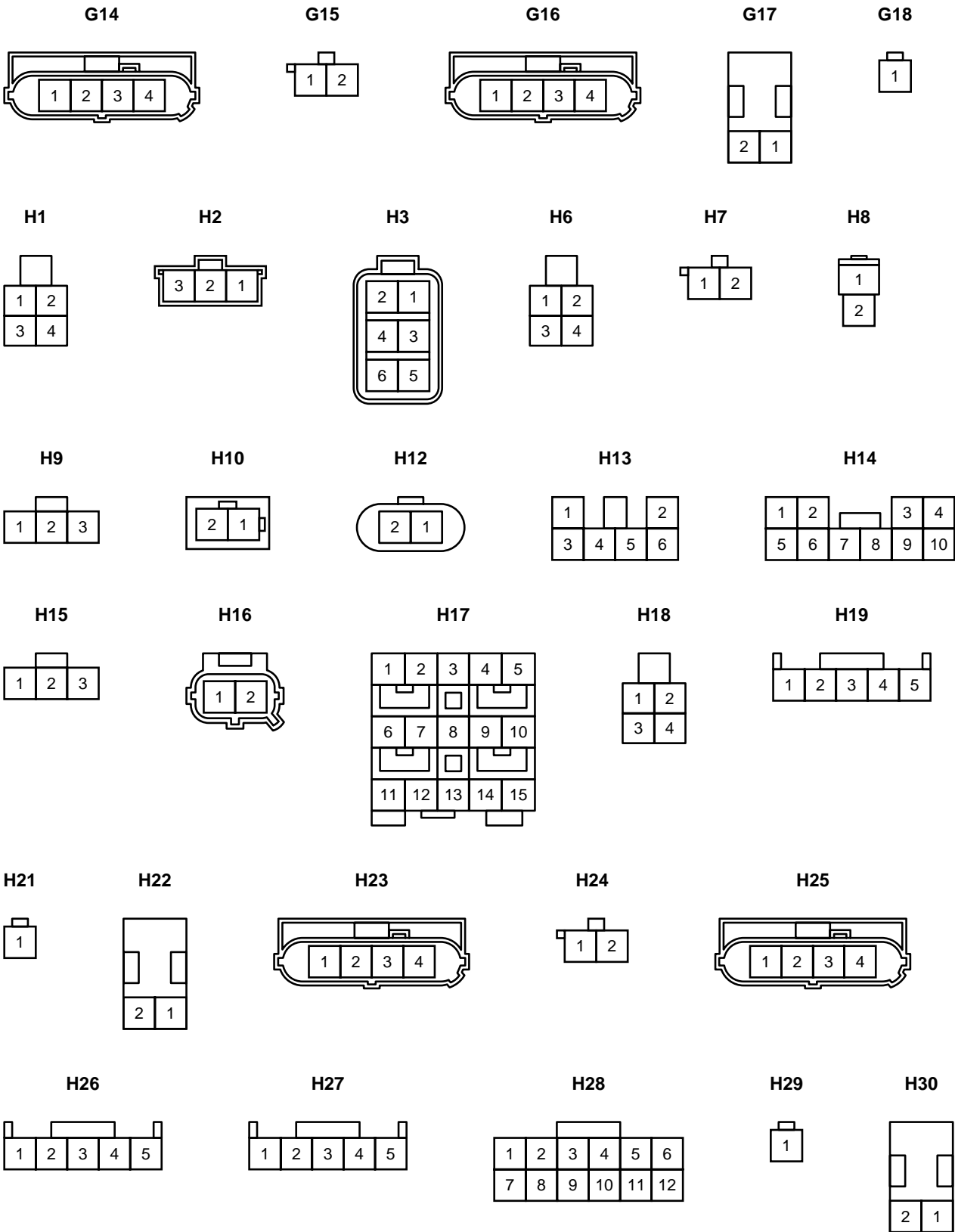


For all additional information, refer to the end of this section.

K CONNECTOR LIST

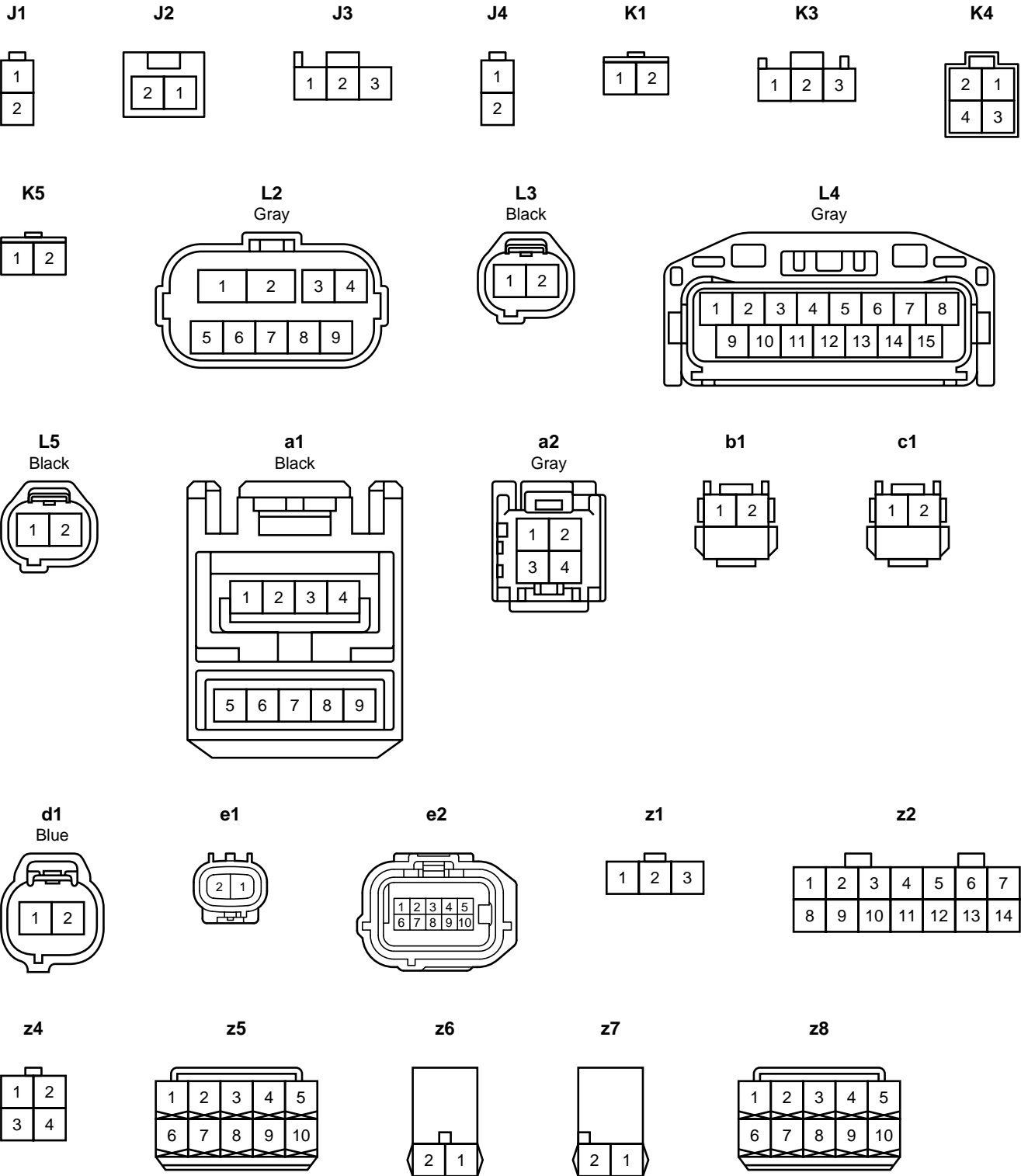


For all additional information, refer to the end of this section.



For all additional information, refer to the end of this section.

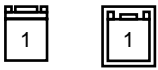
K CONNECTOR LIST



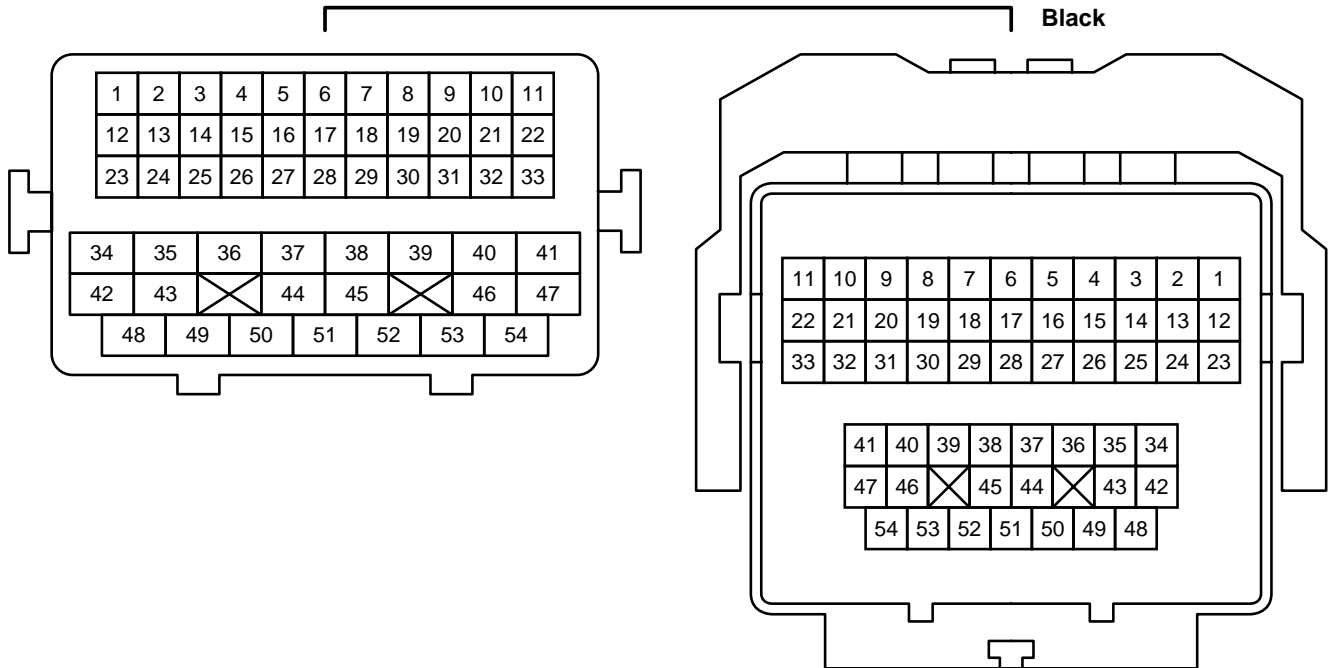
For all additional information, refer to the end of this section.

K CONNECTOR LIST

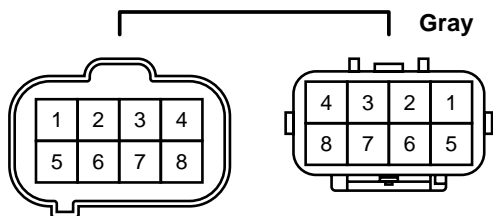
AB1



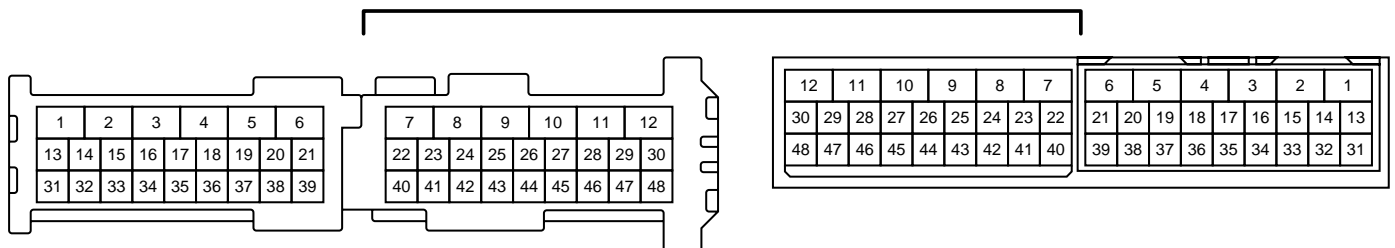
AC1



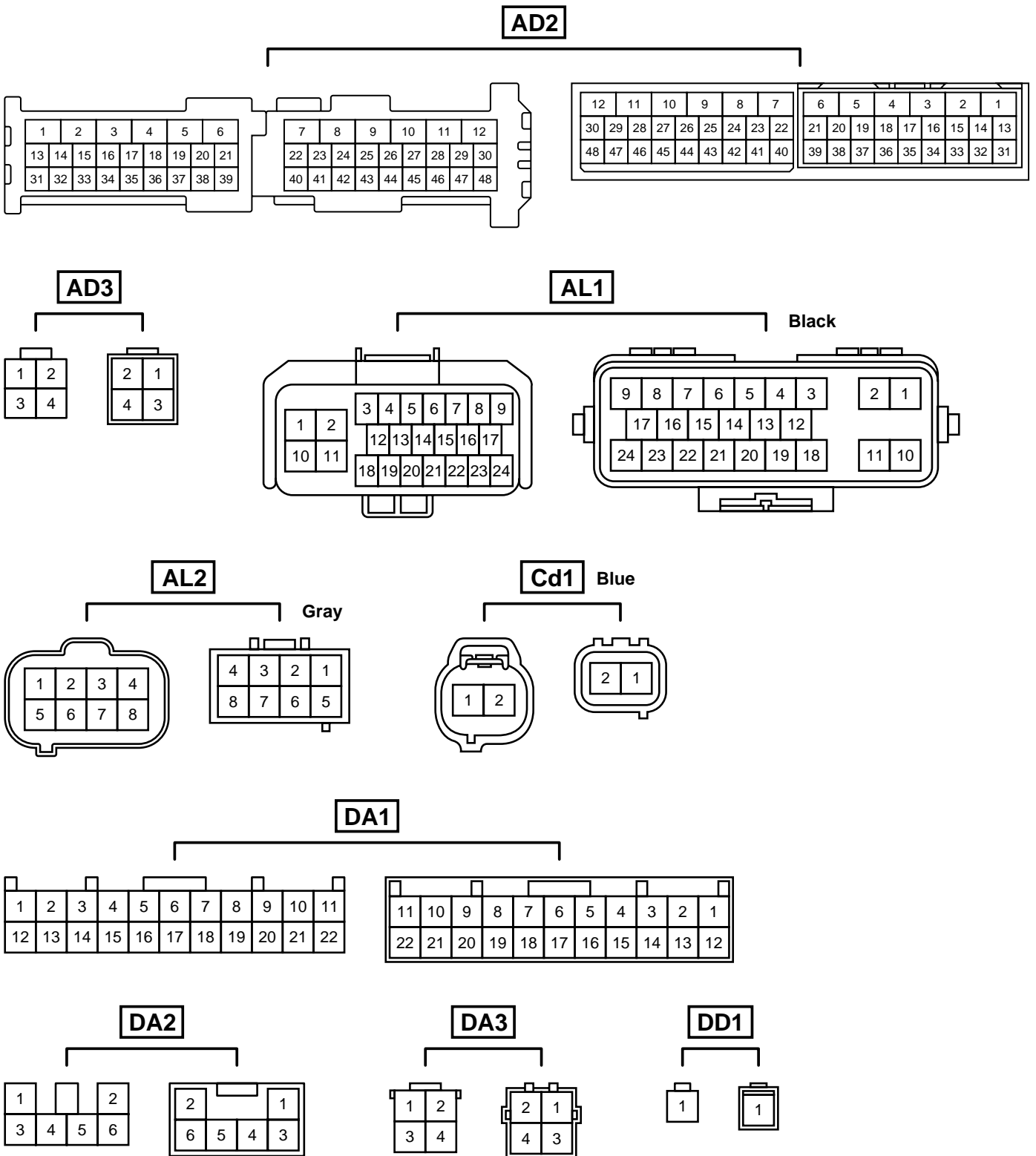
AC2



AD1

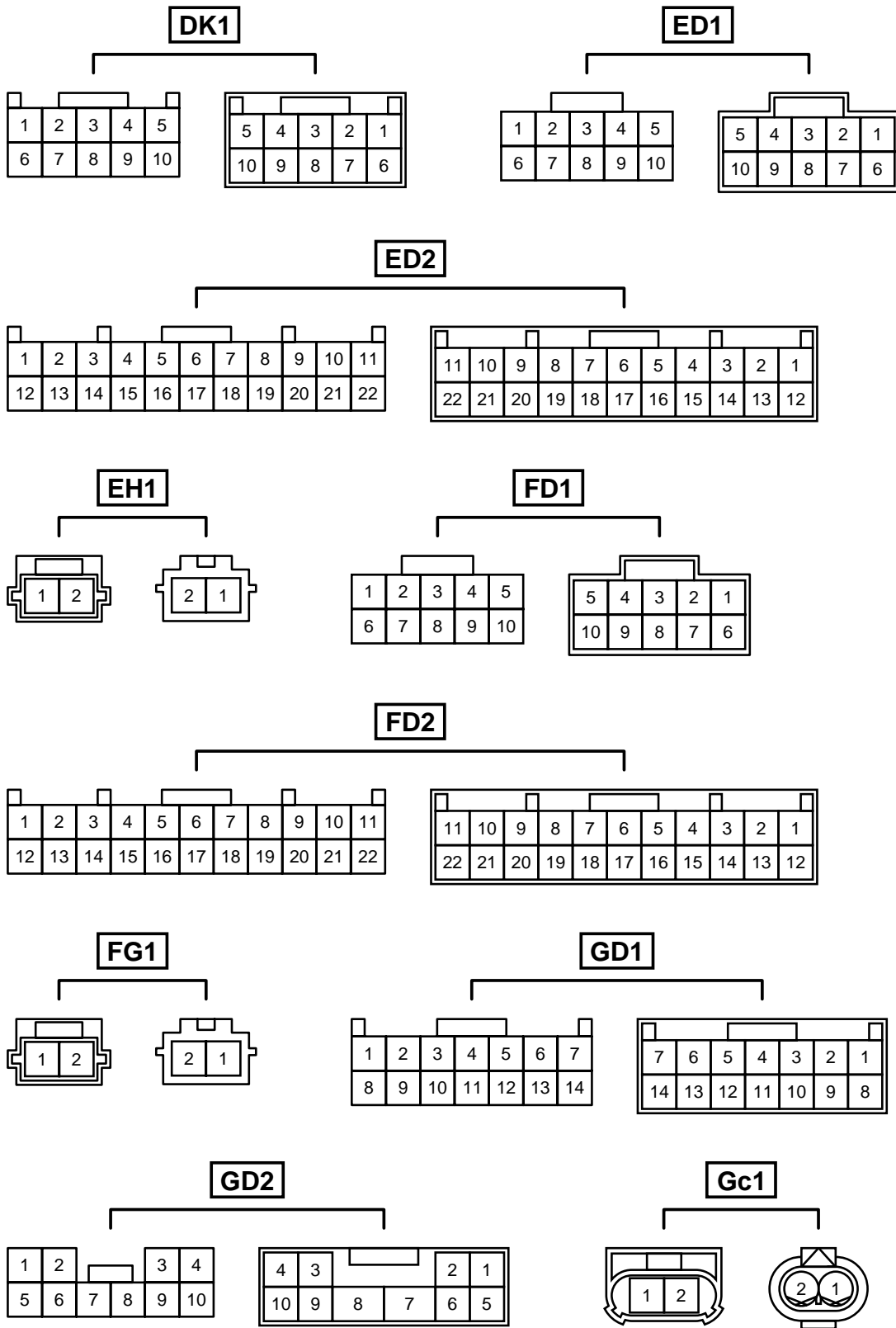


For all additional information, refer to the end of this section.

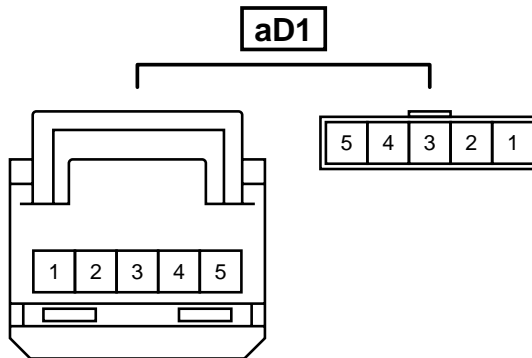
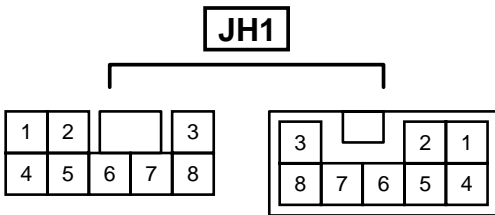
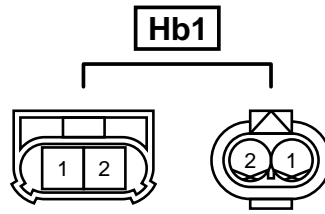
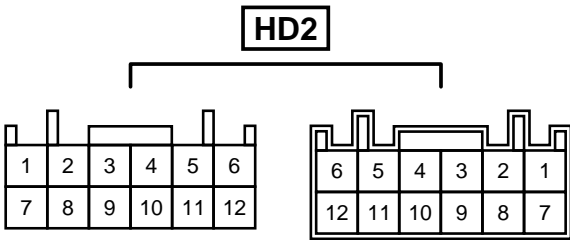
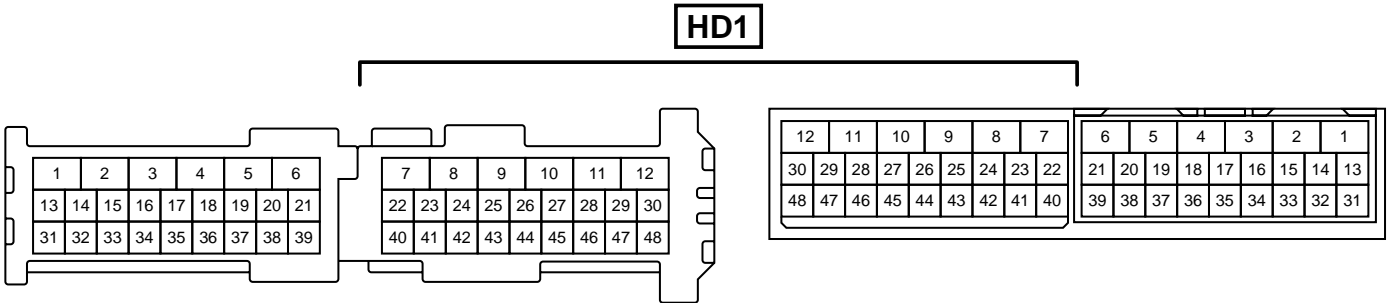
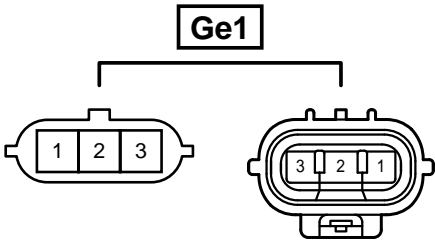


For all additional information, refer to the end of this section.

K CONNECTOR LIST



For all additional information, refer to the end of this section.



For all additional information, refer to the end of this section.

K CONNECTOR LIST

*1 : Headlight Leveling Motor

*2 : Low and High and Front Turn Signal and Parking Light

