



2003 BAJA



OWNER'S MANUAL



**SUBARU** 

Always wear your seatbelt.

## Foreword

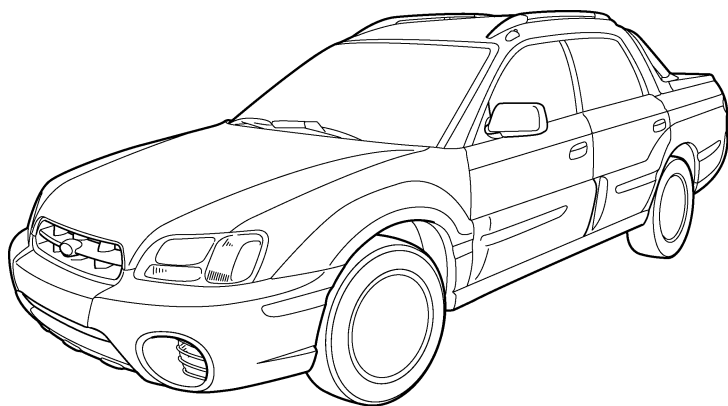
---

**Congratulations on choosing a SUBARU vehicle. This Owner's Manual has all the information necessary to keep your SUBARU in excellent condition and to properly maintain the emission control system for minimizing emission pollutants. We urge you to read this manual carefully so that you may understand your vehicle and its operation. For information not found in this Owner's Manual, such as details concerning repairs or adjustments, please contact the dealer from whom you purchased your SUBARU or the nearest SUBARU dealer.**

**The information, specifications and illustrations found in this manual are those in effect at the time of printing. FUJI HEAVY INDUSTRIES LTD. reserves the right to change specifications and designs at any time without prior notice and without incurring any obligation to make the same or similar changes on vehicles previously sold. This Owner's Manual applies to all models and covers all equipment, including factory installed options. Some explanations, therefore may be for equipment not installed in your vehicle.**

**Please leave this manual in the vehicle at the time of resale. The next owner will need the information found herein.**

**FUJI HEAVY INDUSTRIES LTD., TOKYO, JAPAN**



HBF046AA

## Warranties

---

### ▼ Warranties for U.S.A.

All SUBARU vehicles distributed by Subaru of America, Inc. and sold at retail by an authorized SUBARU dealer in the United States come with the following warranties:

- SUBARU Limited Warranty
- Emission Control Systems Warranty
- Emissions Performance Warranty

All warranty information, including details of coverage and exclusions, is in the “Warranty and Maintenance Booklet”. Please read these warranties carefully.

### ▼ Warranties for Canada

All SUBARU vehicles distributed by Subaru Canada, Inc. and sold at retail by an authorized SUBARU dealer in Canada come with the following warranties:

- SUBARU Limited Warranty
- Anti-Corrosion Warranty
- Emission Control Warranty

All warranty information, including details of coverage and exclusions, is in the “Warranty and Service Booklet”. Please read these warranties carefully.



### **NOTE**

**This vehicle does not contain mercury devices or parts.**

# How to use this owner's manual

---

## ■ Using your Owner's manual

Before you operate your vehicle, carefully read this manual. To protect yourself and extend the service life of your vehicle, follow the instructions in this manual. Failure to observe these instructions may result in serious injury and damage to your vehicle.

This manual is composed of fourteen chapters. Each chapter begins with a brief table of contents, so you can usually tell at a glance if that chapter contains the information you want.

### **Chapter 1: Seat, seatbelt and SRS airbags**

This chapter informs you how to use the seat and seatbelt and contains precautions for the SRS airbags.

### **Chapter 2: Keys and doors**

This chapter informs you how to operate the keys, locks and windows.

### **Chapter 3: Instruments and controls**

This chapter informs you about the operation of instrument panel indicators and how to use the instruments and other switches.

### **Chapter 4: Climate control**

This chapter informs you how to operate the climate control.

### **Chapter 5: Audio**

This chapter informs you how to operate your audio system.

### **Chapter 6: Interior and exterior equipments**

This chapter informs you how to operate interior and exterior equipments.

### **Chapter 7: Starting and operating**

This chapter informs you how to start and operate your SUBARU.

### **Chapter 8: Driving tips**

This chapter informs you how to drive your SUBARU in various conditions and explains some safety tips on driving.

### **Chapter 9: In case of emergency**

This chapter informs you what to do if you have a problem while driving, such as a flat tire or engine overheating.

### **Chapter 10: Appearance care**

This chapter informs you how to keep your SUBARU looking good.

## **Chapter 11: Maintenance and service**

This chapter informs you when you need to take your SUBARU to the dealer for scheduled maintenance and informs you how to keep your SUBARU running properly.

## **Chapter 12: Specifications**

This chapter informs you about dimension and capacities of your SUBARU.

## **Chapter 13: Consumer information and Reporting safety defects**

This chapter informs you about Uniform tire quality grading standards and Reporting safety defects.

## **Chapter 14: Index**

This is an alphabetical listing of all that's in this manual. You can use it to quickly find something you want to read.

## **■ Safety warnings**

You will find a number of WARNINGS, CAUTIONS and NOTES in this manual.

These safety warnings alert you to potential hazards that could result in injury to you or others.

Please read these safety warnings as well as all other portions of this manual carefully in order to gain a better understanding of how to use your SUBARU vehicle safely.



### **WARNING**

**A WARNING indicates a situation in which serious injury or death could result if the warning is ignored.**



### **CAUTION**

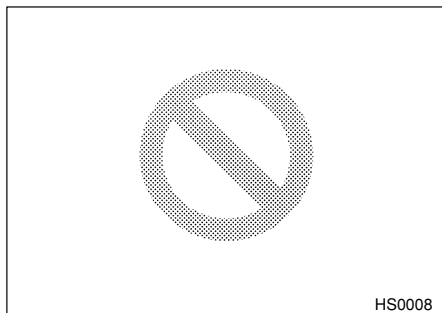
**A CAUTION indicates a situation in which injury or damage to your vehicle, or both, could result if the caution is ignored.**

## **NOTE**

**A NOTE gives information or suggestions how to make better use of your vehicle.**

**– CONTINUED –**

## ■ Safety symbol



You will find a circle with a slash through it in this manual. This symbol means “Do not”, “Do not do this”, or “Do not let this happen”, depending upon the context.

## Safety precautions when driving

---

### SEATBELT AND SRS AIRBAG

#### **WARNING**

- All persons in the vehicle should fasten their seatbelts **BEFORE** the vehicle starts to move. Otherwise, the possibility of serious injury becomes greater in the event of a sudden stop or accident.
- To obtain maximum protection in the event of an accident, the driver and all passengers in the vehicle should always wear seatbelts when the vehicle is moving. The SRS (Supplemental Restraint System) airbag does not do away with the need to fasten seatbelts. In combination with the seatbelts, it offers the best combined protection in case of a serious accident.  
Not wearing a seatbelt increases the chance of severe injury or death in a crash even when the car has the SRS airbag.
- The SRS airbags deploy with considerable speed and force. Occupants who are out of proper position when the SRS airbag

**deploys could suffer very serious injuries. Because the SRS airbag needs enough space for deployment, the driver should always sit upright and well back in the seat as far from the steering wheel as practical while still maintaining full vehicle control and the front passenger should move the seat as far back as possible and sit upright and well back in the seat.**

Carefully read the sections “Seat, seatbelts and SRS airbag” in chapter 1 of this owner’s manual for instructions and precautions concerning the seatbelt system and SRS airbag system.

## **CHILD SAFETY**



### **WARNING**

- **Never hold a child on your lap or in your arms while the vehicle is moving. The passenger cannot protect the child from injury in a collision, because the child will be caught between the passenger and objects inside the vehicle.**
- **While riding in the vehicle, infants and small children should always be placed in the REAR seat in an infant or child restraint system which is appropriate for the child’s age, height and weight. If a child is too big for a child restraint system, the child should sit in the REAR seat and be restrained using the seatbelts. According to accident statistics, children are safer when properly restrained in the rear seating positions than in the front seating positions. Never allow a child to stand up or kneel on the seat.**
- **Put children aged 12 and under in the REAR seat properly restrained at all times in a child restraint device or in a seatbelt. The SRS airbag deploys with considerable speed and force and can injure or even kill children, especially if they are 12 years of age and under and are not restrained or improperly restrained. Because children are lighter and weaker than adults, their risk being injured from deployment is greater.**
- **NEVER INSTALL A REARWARD FACING CHILD SAFETY SEAT IN THE FRONT SEAT. DOING SO RISKS SERIOUS INJURY OR DEATH TO THE CHILD BY PLACING THE CHILD’S HEAD TOO**

**– CONTINUED –**



### **CLOSE TO THE SRS AIRBAG.**

- Always use the child safety locks whenever a child rides in the rear seat. Serious injury could result if a child accidentally opened the door and fell out. Refer to the “Door locks” section in chapter 2.
- Always lock the passenger’s windows using the lock switch when children are riding in the vehicle. Failure to follow this procedure could result in injury to a child operating the power window. Refer to the “Power windows” section in chapter 2.
- Never leave unattended children in the vehicle. They could accidentally injure themselves or others through inadvertent operation of the vehicle. Also, on hot or sunny days, temperature in a closed vehicle could quickly become high enough to cause severe or possibly fatal injuries to them.

Carefully read the sections “Child restraint systems”, “SRS airbag”, and “Seatbelts” in chapter 1 of this owner’s manual for instructions and precautions concerning the child restraint system, seatbelt system and SRS airbag system.

### **ENGINE EXHAUST GAS (CARBON MONOXIDE)**

#### **WARNING**

- Never inhale engine exhaust gas. Engine exhaust gas contains carbon monoxide, a colorless and odorless gas which is dangerous, or even lethal, if inhaled.
- Always properly maintain the engine exhaust system to prevent engine exhaust gas from entering the vehicle.
- Never run the engine in a closed space, such as a garage, except for the brief time needed to drive the vehicle in or out of it.
- Avoid remaining in a parked vehicle for a lengthy time while the engine is running. If that is unavoidable, then use the ventilation fan to force fresh air into the vehicle.
- Always keep the front ventilator inlet grille free from snow, leaves or other obstructions to ensure that the ventilation system always works properly.

- **If at any time you suspect that exhaust fumes are entering the vehicle, have the problem checked and corrected as soon as possible. If you must drive under these conditions, drive only with all windows fully open.**

## **DRINKING AND DRIVING**



### **WARNING**

**Drinking and then driving is very dangerous. Alcohol in the bloodstream delays your reaction and impairs your perception, judgment and attentiveness. If you drive after drinking – even if you drink just a little – it will increase the risk of being involved in a serious or fatal accident, injuring or killing yourself, your passengers and others. In addition, if you are injured in the accident, alcohol may increase the severity of that injury. Please don't drink and drive.**

Drunken driving is one of the most frequent causes of accidents. Since alcohol affects all people differently, you may have consumed too much alcohol to drive safely even if the level of alcohol in your blood is below the legal limit. The safest thing you can do is never drink and drive. However if you have no choice but to drive, stop drinking and sober up completely before getting behind the wheel.

## **DRUGS AND DRIVING**



### **WARNING**

**There are some drugs (over the counter and prescription) that can delay your reaction time and impair your perception, judgment and attentiveness. If you drive after taking them, it may increase your, your passengers' and other persons' risk of being involved in a serious or fatal accident.**

If you are taking any drugs, check with your doctor or pharmacist or read the literature that accompanies the medication to determine if the drug you are taking can impair your driving ability. Do not drive after taking any medications that can make you drowsy or otherwise affect your ability to safely operate a motor vehicle. If you have a medical condition that requires you to take drugs, please consult with your doctor.

Never drive if you are under the influence of any illicit mind-altering drugs. For your own health and well-being, we urge you not to take illegal drugs in the first place and to seek treatment if you are addicted to those drugs.

### **DRIVING WHEN TIRED OR SLEEPY**



#### **WARNING**

**When you are tired or sleepy, your reaction will be delayed and your perception, judgment and attentiveness will be impaired. If you drive when tired or sleepy, your, your passengers' and other persons' chances of being involved in a serious accident may increase.**

Please do not continue to drive but instead find a safe place to rest if you are tired or sleepy. On long trips, you should make periodic rest stops to refresh yourself before continuing on your journey. When possible, you should share the driving with others.

### **CAR/MOBILE PHONES AND DRIVING**



#### **CAUTION**

**Do not use a hand-held phone while driving; it may distract your attention from driving and can lead to an accident. If you use a hand-held phone, pull off the road and park in the safe place before using your phone. In some States/Provinces, only hands-free phones may legally be used while driving.**

## MODIFICATION OF YOUR VEHICLE

### **CAUTION**

**Your vehicle should not be modified. Modification could affect its performance, safety or durability, and may even violate governmental regulations. In addition, damage or performance problems resulting from modification may not be covered under warranties.**

## DRIVING WITH PETS

Unrestrained pets can interfere with your driving and distract your attention from driving. In a collision or sudden stop, unrestrained pets or cages can be thrown around inside the vehicle and hurt you or your passengers. Besides, the pets can be hurt under these situations. It is also for their own safety that pets should be properly restrained in your vehicle. Restrain a pet with a special traveling harness which can be secured to the rear seat with a seatbelt or use a pet carrier which can be secured to the rear seat by routing a seatbelt through the carrier's handle. Never restrain pets or pet carriers in the front passenger's seat. For further information, consult your veterinarian, local animal protection society or pet shop.

## TIRE PRESSURES

### **WARNING**

**Driving at high speeds with excessively low tire pressures can cause the tires to deform severely and to rapidly become hot. A sharp increase in temperature could cause tread separation, and destruction of the tires. The resulting loss of vehicle control could lead to an accident.**

Check and, if necessary, adjust the pressure of each tire (including the spare) at least once a month and before any long journey.

Check the tire pressure when the tires are cold.

Use a pressure gauge to adjust the tire pressures to the values shown on the tire placard.

– CONTINUED –

Refer to the “Tires and wheels” section in chapter 11 for detailed information.

### **CALIFORNIA PROPOSITION 65 WARNING**



#### **WARNING**

**Engine exhaust, some of its constituents, and certain vehicle components contain or emit chemicals known to the State of California to cause cancer and birth defects or other reproductive harm.**

## Table of contents

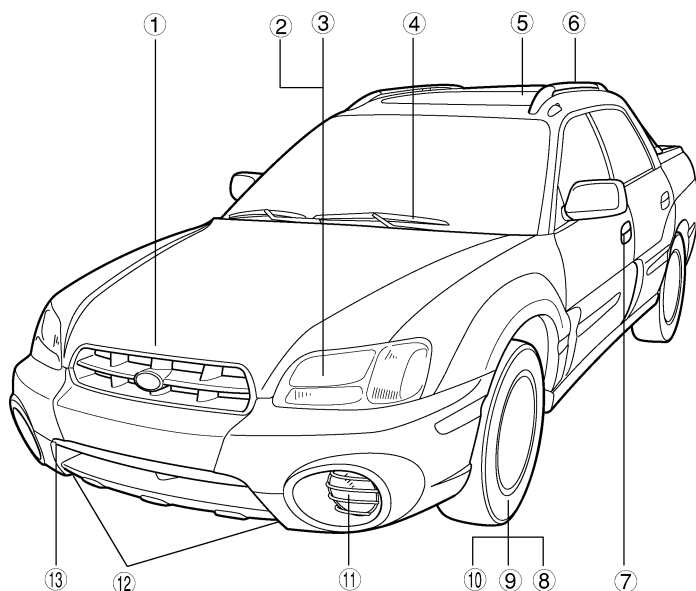
---

<i>Seat, seatbelt and SRS airbags</i>	<b>1</b>
<i>Keys and doors</i>	<b>2</b>
<i>Instruments and controls</i>	<b>3</b>
<i>Climate control</i>	<b>4</b>
<i>Audio</i>	<b>5</b>
<i>Interior and exterior equipments</i>	<b>6</b>
<i>Starting and operating</i>	<b>7</b>
<i>Driving tips</i>	<b>8</b>
<i>In case of emergency</i>	<b>9</b>
<i>Appearance care</i>	<b>10</b>
<i>Maintenance and service</i>	<b>11</b>
<i>Specifications</i>	<b>12</b>
<i>Consumer information and Reporting safety defects</i>	<b>13</b>
<i>Index</i>	<b>14</b>

# Illustrated index

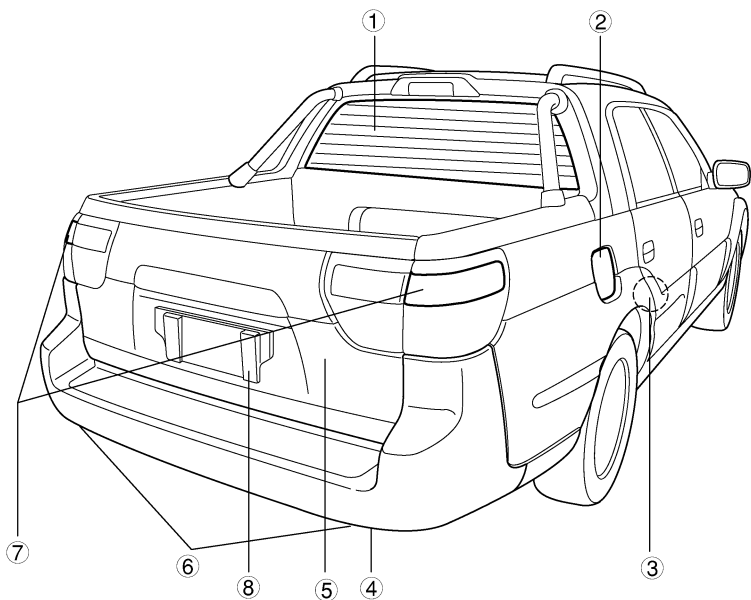
---

## ■ Exterior



HBF047BB

- |                                    |                                |
|------------------------------------|--------------------------------|
| ① Hood lock release<br>(page 11-5) | ⑦ Door locks (page 2-3)        |
| ② Headlight switch (page 3-17)     | ⑧ Tire pressure (page 11-37)   |
| ③ Bulb replacement<br>(page 11-54) | ⑨ Flat tires (page 9-11)       |
| ④ Wiper switch (page 3-24)         | ⑩ Tire chains (page 8-14)      |
| ⑤ Moonroof (page 2-30)             | ⑪ Fog light switch (page 3-22) |
| ⑥ Roof rail (page 6-23)            | ⑫ Tie-down hooks (page 9-22)   |
|                                    | ⑬ Towing hook (page 9-22)      |



HBF048BB

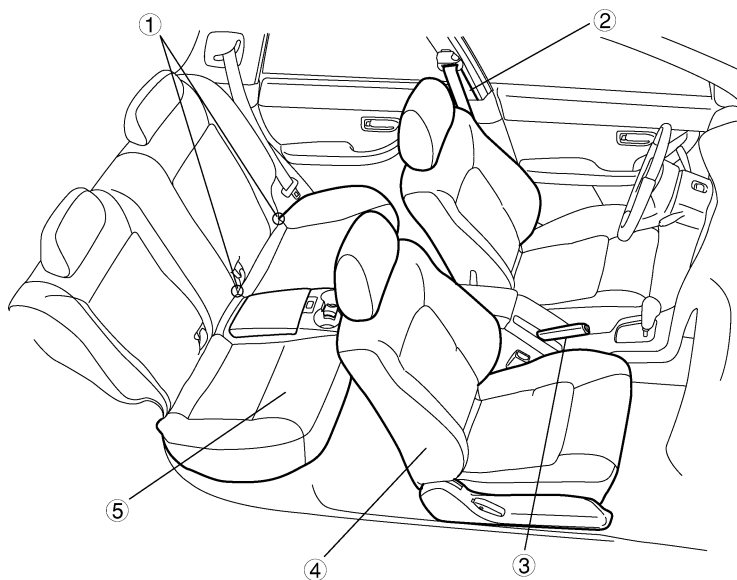
- |   |                                     |
|---|-------------------------------------|
| ① Rear window defogger switch (page 3-26) | ⑥ Tie-down hooks (page 9-22)        |
| ② Fuel filler lid (page 7-4)              | ⑦ Bulb replacement (page 11-52)     |
| ③ Child safety locks (page 2-20)          | ⑧ Licence plate bracket (page 2-24) |
| ④ Towing hook (page 9-22)                 |                                     |
| ⑤ Tailgate (page 2-23)                    |                                     |

– CONTINUED –



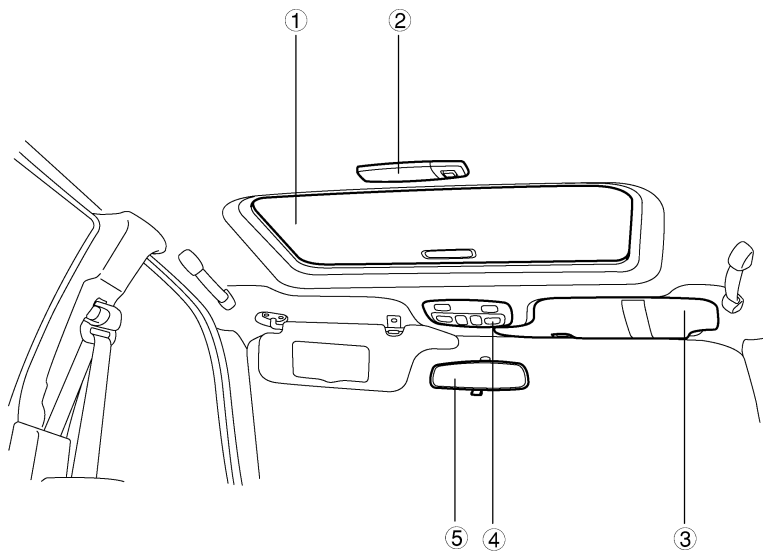
## ■ Interior

### ▼ Passenger compartment area



HBF049BB

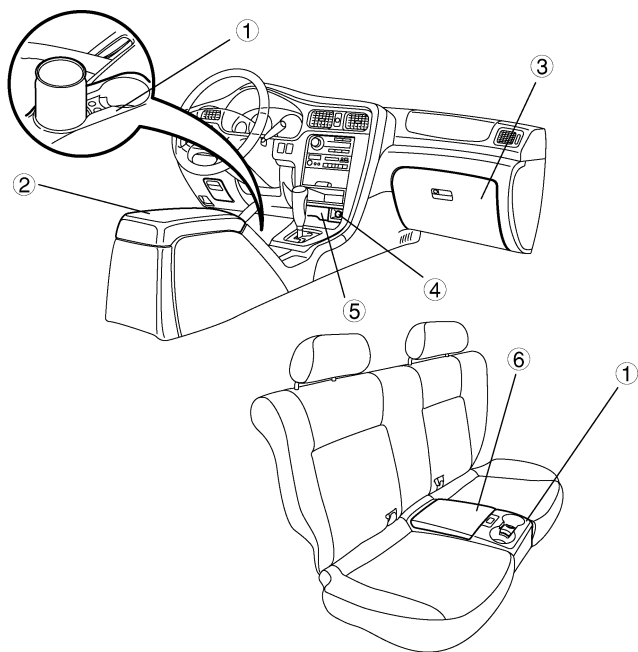
- |  |                                   |
|--|-----------------------------------|
| ① Lower anchorage for child restraint system (page 2-20) | ③ Parking brake lever (page 7-26) |
| ② Seatbelt (page 1-14)                                   | ④ Front seat (page 1-2)           |
|  | ⑤ Rear seat (page 1-8)            |



HBF050BB

- ① Moonroof (page 2-30)
- ② Interior lights (page 6-2)
- ③ Sun visors (page 6-3)
- ④ Map light (page 6-3)
- ⑤ Inside mirror (page 3-28)

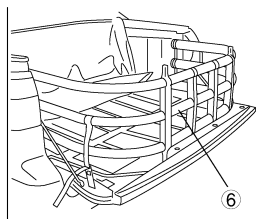
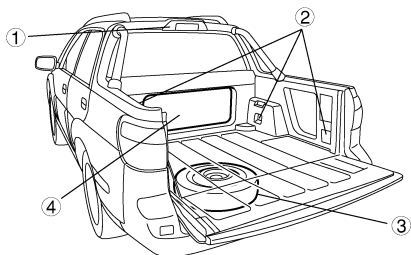
**- CONTINUED -**



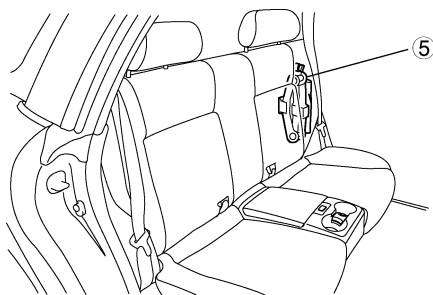
HBF051BB

- ① Cup holder (page 6-7)
- ② Center console (page 6-5)
- ③ Glove box (page 6-5)
- ④ Cigarette lighter (page 6-9)
- ⑤ Ashtray (page 6-12)
- ⑥ Rear center console (page 6-6)

## ▼ Cargo bed/spare tire/jack



HBF052BB

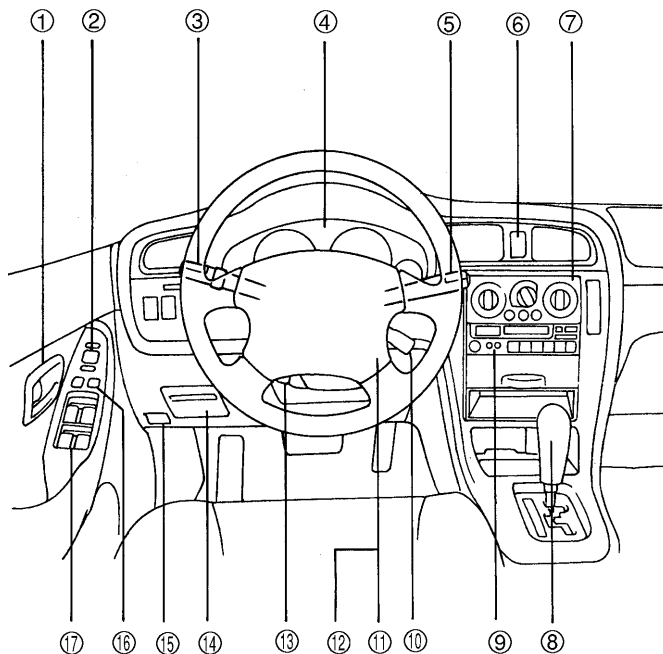


HBF053BB

- ① Cargo lamp (page 6-20)
- ② Cargo tie-down hooks (page 6-16)
- ③ Temporary spare tire (page 9-9)
- ④ Switchback door (page 2-26)
- ⑤ Jack/Maintenance tools (page 9-3)
- ⑥ Cargo bed extender (page 6-17)

– CONTINUED –

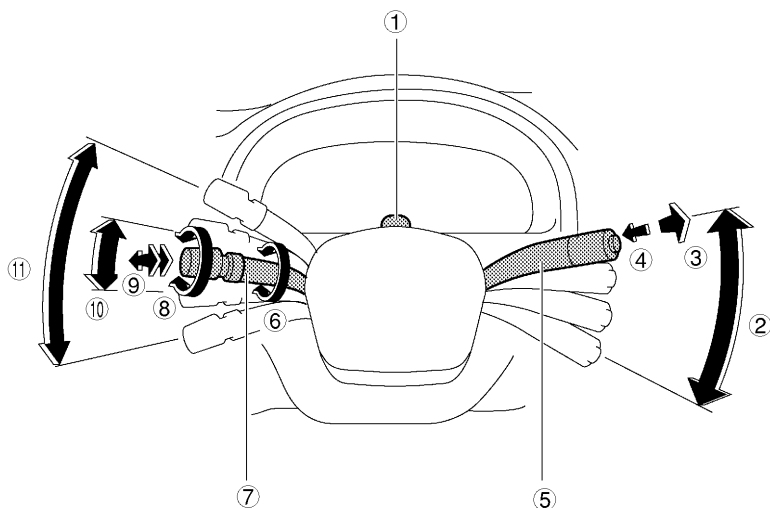
## ■ Instrument panel



HBF021BB

- |   |  |
|---|--|
| ① Door locks (page 2-3)   | ⑨ Audio (page 5-1)                         |
| ② Outside mirror (page 3-30)  | ⑩ Cruise control (page 7-28)               |
| ③ Light control lever (page 3-17)   | ⑪ Horn (page 3-33)                         |
| ④ Combination meter (page 3-7)  | ⑫ SRS airbag (page 1-39)                   |
| ⑤ Wiper control lever<br>(page 3-22)                                      | ⑬ Tilt steering (page 3-32)                |
| ⑥ Hazard warning flasher switch<br>(page 3-6)                             | ⑭ Fuse box (page 11-49)                    |
| ⑦ Climate control (page 4-1)  | ⑮ Hood lock release<br>(page 11-5)         |
| ⑧ Gear shift lever (MT)<br>(page 7-11)/Selector lever<br>(AT) (page 7-14) | ⑯ Power door locking switch<br>(page 2-21) |
|   | ⑰ Power window (page 2-21)                 |

## ■ Light control and wiper control levers/switches



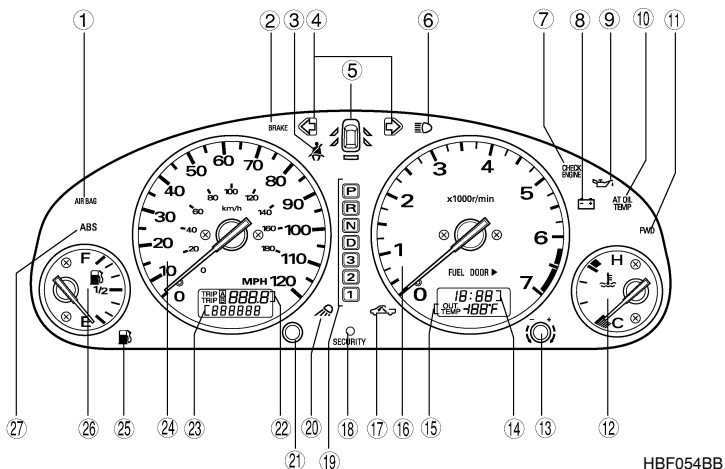
HBF023CB

- |  |   |
|--|---|
| ① Parking light switch<br>(page 3-21)            | ⑦ Light control lever<br>(page 3-17)                    |
| ② Windshield wiper (page 3-22)                   | ⑧ Headlight ON/OFF<br>(page 3-17)                       |
| ③ Mist (page 3-24)                               | ⑨ Headlight flasher High/Low<br>beam change (page 3-17) |
| ④ Windshield washer<br>(page 3-24)               | ⑩ Turn signal (for lane change)<br>(page 3-19)          |
| ⑤ Wiper control lever<br>(page 3-24)             | ⑪ Turn signal (page 3-19)                               |
| ⑥ Illumination brightness<br>control (page 3-20) |   |

– CONTINUED –

## ■ Combination meter













### ▼ Overview



HBFO54BB

- |  |   |
|--|---|
| ① SRS airbag system warning light (page 3-10)                        | ⑫ Temperature gauge (page 3-9)                                  |
| ② Brake system warning light (page 3-14)                             | ⑬ Clock setting knob (page 3-17)                                |
| ③ Seatbelt warning light (page 3-10)                                 | ⑭ Clock (page 3-17)   |
| ④ Turn signal indicator light (page 3-16)                            | ⑮ Outside temperature indicator (page 3-8)                      |
| ⑤ Door ajar warning light (page 3-15)                                | ⑯ Tachometer (page 3-8)   |
| ⑥ High beam indicator light (page 3-16)                              | ⑰ Switchback door indicator (page 3-15)                         |
| ⑦ CHECK ENGINE warning light/ Malfunction indicator lamp (page 3-11) | ⑱ Security system indicator lamp (page 3-16)                    |
| ⑧ Charge warning light (page 3-12)                                   | ⑲ Shift position indicator (page 3-16)                          |
| ⑨ OIL pressure warning light (page 3-12)                             | ⑳ Cargo lamp indicator (page 3-16)                              |
| ⑩ AT OIL temperature warning light (page 3-13)                       | ㉑ Trip meter A/B selection and trip meter reset knob (page 3-7) |
| ⑪ Front-wheel drive warning light (page 3-15)                        | ㉒ Trip meter (page 3-7)   |
|  | ㉓ Odometer (page 3-7)   |
|  | ㉔ Speedometer (page 3-7)  |
|  | ㉕ Low fuel warning light (page 3-15)                            |
|  | ㉖ Fuel gauge (page 3-9)   |
|  | ㉗ ABS warning light (page 3-13)                                 |

## ▼ Warning and indicator light

Mark	Name	Page
	Seatbelt warning light	3-10
<b>AIRBAG</b>	SRS airbag system warning light	3-10
<b>CHECK ENGINE</b>	CHECK ENGINE warning light/ Malfunction indicator lamp	3-11
	Charge warning light	3-12
	Oil pressure warning light	3-12
<b>AT OIL TEMP</b>	AT OIL temperature warning light (if equipped)	3-13
<b>ABS</b> or 	ABS warning light	3-13
<b>BRAKE</b> or 	Brake system warning light	3-14
	Door ajar warning light	3-15
	Low fuel warning light	3-15
<b>FWD</b>	Front-wheel drive warning light (if equipped)	3-15
	Switchback door indicator	3-15
 <b>SECURITY</b>	Security system indicator light (if equipped)	3-16
	Cargo lamp indicator	3-16
	Turn signal indicator lights	3-16
	High beam indicator light	3-16



---

<b>A</b>	
ABS (Anti-lock Brake System) .....	7-24
ABS warning light .....	3-13
Air cleaner element .....	11-17
Air conditioner operation .....	4-10
Air filtration system (if equipped) .....	4-13
Aluminum wheels (If equipped) .....	11-44
AM/FM radio with CD player .....	5-4
Antenna system .....	5-2
Ashtray .....	6-12
AT OIL TEMPerature warning light (for AT vehicles) .....	3-13
Audio set .....	5-3
Automatic/Emergency Locking Retractor (A/ELR) .....	1-16
Automatic transmission .....	7-14
Automatic transmission fluid .....	11-22

<b>B</b>	
Battery .....	11-48
Bed cover (if equipped) .....	6-21
Bed extender (if equipped) .....	6-17
Brake booster .....	11-31
Brake fluid .....	11-28
Brake pedal .....	11-32
Brake system .....	7-22
Brake system warning light .....	3-14
Braking .....	7-22
Braking tips .....	7-22
Bulb chart .....	12-7

<b>C</b>	
Capacities .....	12-2
Cargo bed .....	6-15
Cargo lamp .....	6-20
Cargo lamp indicator light .....	3-16
Cargo net hooks .....	6-13
Cargo tie-down hooks .....	6-16

Catalytic converter .....	8-4
Center console .....	6-5
Changing a flat tire .....	9-11
Charge warning light .....	3-12
CHECK ENGINE warning light/Malfunction indicator lamp .....	3-11
Child restraint systems .....	1-26
Child safety locks .....	2-20
Cigarette lighter socket .....	6-9
Cleaning aluminum wheels .....	10-4
Cleaning fog light lens .....	10-4
Cleaning the interior .....	10-6
Clock .....	3-17
Clutch fluid (MT vehicles) .....	11-30
Clutch pedal (Manual transmission vehicles) .....	11-33
Coat hook .....	6-12
Coin compartment .....	6-6
Convenience hook .....	6-12
Convenient tie-down hooks (if equipped) .....	6-16
Cooling system .....	11-13
Corrosion protection .....	10-5
Cruise control .....	7-28
Cup holder .....	6-7

**D**

Daytime running light system .....	3-19
Dimensions .....	12-2
Disc brake pad wear warning indicators .....	7-23
Dome light .....	6-2
Door ajar warning lights .....	3-15
Door locks .....	2-3
Drive belts .....	11-20
Driving in foreign countries .....	8-5
Driving tips for AWD vehicles .....	8-6

**E**

Electrical system .....	12-2
-------------------------	------

---

Emergency Locking Retractor (ELR) .....	1-16
Engine .....	12-2
Engine compartment overview .....	11-7
Engine coolant .....	11-14
Engine exhaust gas (Carbon monoxide) .....	8-3
Engine hood .....	11-5
Engine oil .....	11-8
Engine overheating .....	9-21
Exterior care .....	10-2

## **F**

Fastening the seatbelt .....	1-17
Flat tires .....	9-11
Floor mat (if equipped) .....	6-14
Fog light switch (if equipped) .....	3-22
Folding down the rear seat .....	1-10
Front differential gear oil (AT vehicles) .....	11-24
Front fog light .....	11-56
Front seatbelt pretensioners .....	1-22
Front seats .....	1-2
Front turn signal light, parking light and side marker light .....	11-56
Front-wheel drive warning light (for AT vehicles) .....	3-15
Fuel .....	7-2
Fuel economy hints .....	8-2
Fuel filler door and cap .....	7-4
Fuel gauge .....	3-9
Fuel requirements .....	7-2
Fuse panel located behind the coin tray .....	12-4
Fuse panel located in the engine compartment .....	12-6
Fuses .....	11-49
Fuses and circuits .....	12-4

## **G**

Glove box .....	6-5
GVWR and GAWR (Gross Vehicle Weight Rating and Gross Axle Weight Rating) ...	8-18

**H**

Hazard warning flasher .....	3-6
Headlight .....	11-54
Heater operation .....	4-7
High beam indicator light .....	3-16
High mount stop light assembly .....	11-63
Horn .....	3-33

**I**

If you park your vehicle in an emergency .....	9-2
Ignition switch .....	3-3
Ignition switch light .....	3-5
Illumination brightness control .....	3-20
In-dash 6 CD auto changer (if equipped) .....	5-13
Inside mirror .....	3-28
Installation of accessories .....	5-2, 11-51
Interior light .....	6-2

**J**

Jack and tools .....	9-3
Jump starting .....	9-18

**K**

Key interlock release (AT vehicles only) .....	3-5
Key reminder chime .....	3-5
Keys .....	2-2

**L**

License plate bracket .....	2-24
License plate light .....	11-60
Light control switch .....	3-17
Loading your vehicle .....	8-15
Low fuel warning light .....	3-15

**M**

Main fuse .....	11-51
-----------------	-------

---

Maintenance precautions .....	11-3
Maintenance schedule .....	11-3
Manual heating and air conditioning system .....	4-4
Manual transmission .....	7-11
Manual transmission oil .....	11-21
Map light .....	6-3
Map light, dome light and door step light .....	11-61
Meters and gauges .....	3-7
Mirrors .....	3-28
Moonroof .....	2-30
Moonroof — if the moonroof cannot be closed .....	9-27

## **N**

New vehicle break-in driving – the first 1,000 miles (1,600 km) .....	8-2
---	-----

## **O**

Odometer/Trip meter .....	3-7
Off road driving .....	8-7
Oil pressure warning light .....	3-12
Operating tips for heater and air conditioner .....	4-12
Outside mirrors .....	3-30
Outside temperature indicator (if equipped) .....	3-8

## **P**

Parking brake stroke .....	11-35
Parking light switch .....	3-21
Parking your vehicle .....	7-26
Periodic inspections .....	8-5
Power door locking switches .....	2-5
Power steering .....	7-21
Power steering fluid .....	11-27
Power windows .....	2-21
Precautions against vehicle modification .....	1-52
Precautions to observe when handling a compact disc (CD) .....	5-16
Preparing to drive .....	7-8

**R**

Rear center console .....	6-6
Rear combination lights .....	11-57
Rear differential gear oil .....	11-25
Rear headrest .....	1-10
Rear quarter storage box .....	6-7
Rear seats .....	1-8
Rear viscous limited slip differential (LSD) (if equipped) .....	7-21
Rear window defogger switch .....	3-26
Remote keyless entry system (if equipped) .....	2-6
Replacement of brake pad and lining .....	11-34
Replacement of windshield wiper blades .....	11-45
Replacing bulbs .....	11-52
Reporting safety defects (USA) .....	13-4
Rocking the vehicle .....	8-15
Roof rail and crossbar .....	6-23

**S**

Seatbelt maintenance .....	1-21
Seatbelts .....	1-14
Seatbelt safety tips .....	1-14
Seatbelt warning light and chime .....	1-16, 3-10
Seat heater (if equipped) .....	1-7
Security system (if equipped) .....	2-13
Security system status indicator light (if equipped) .....	3-16
Selector lever .....	7-15
Shift lock release .....	7-20
Shift position indicator (for AT vehicles) .....	3-16
Snow tires .....	8-13
Spare tire .....	9-6
Spark plugs .....	11-19
Specifications .....	12-2
Speedometer .....	3-7
Sport activity lights (if equipped) .....	6-29
Spotlight (if equipped) .....	6-3
SRS airbag (Supplemental Restraint System airbag) .....	1-39

---

SRS airbag system monitors .....	1-50
SRS airbag system servicing .....	1-51
SRS airbag system warning light .....	3-10
SRS frontal airbag .....	1-43
Starting a flooded engine .....	7-11
Starting the engine .....	7-9
Starting the engine during cold weather below $-4^{\circ}\text{F}$ ( $-20^{\circ}\text{C}$ ) .....	7-10
Starting the engine for automatic transmission vehicle .....	7-10
Starting the engine for manual transmission vehicle .....	7-9
State emission testing (U.S. only) .....	7-6
Stopping the engine .....	7-11
Storage compartment .....	6-4
Sun visors .....	6-3
Switchback door .....	2-26
Switchback door indicator light .....	2-29, 3-15

## T

Tachometer .....	3-8
Tailgate .....	2-23
Tail light (on the tailgate) .....	11-59
Temperature A, B, C .....	13-3
Temperature gauge .....	3-9
Temporary spare tire .....	9-9
Tilting/sliding moonroof .....	2-30
Tilt steering wheel .....	3-32
Tire chains .....	8-14
Tire inspection .....	11-37
Tire pressures and wear .....	11-37
Tire replacement .....	11-42
Tire rotation .....	11-42
Tires .....	12-3
Tires and wheels .....	11-36
Towing .....	9-22
Traction AA, A, B, C .....	13-2
Trailer hitch (if equipped) .....	8-19
Trailer towing (for OUTBACK) .....	8-24

Treadwear .....	13-2
Turn signal indicator lights .....	3-16
Turn signal lever .....	3-19
Types of tires .....	11-36

**U**

Uniform tire quality grading standards .....	13-2
Using the temporary spare tire .....	9-9

**V**

Vanity mirror .....	6-4
Vehicle capacity weight .....	8-17
Vehicle finder function .....	2-8
Vehicle identification .....	12-8
Vehicle with driver's and front passenger's SRS airbags and lap/shoulder restraints .....	1-39
Ventilator .....	4-2

**W**

Warning and indicator lights .....	3-10
Washing .....	10-2
Waxing and polishing .....	10-3
Wear indicators .....	11-41
Wheel alignment .....	12-3
Wheel balance .....	11-40
Wheel replacement .....	11-43
Windows .....	2-21
Windshield washer fluid .....	11-44
Windshield wiper and washer switches .....	3-24
Windshield wiper deicer (if equipped) .....	3-27
Winter driving .....	8-10
Wiper and washer .....	3-22