



2005 BAJA OWNER'S MANUAL



**SUBARU** 

Always wear your seatbelt.

## Foreword

---

**Congratulations on choosing a SUBARU vehicle. This Owner's Manual has all the information necessary to keep your SUBARU in excellent condition and to properly maintain the emission control system for minimizing emission pollutants. We urge you to read this manual carefully so that you may understand your vehicle and its operation. For information not found in this Owner's Manual, such as details concerning repairs or adjustments, please contact the dealer from whom you purchased your SUBARU or the nearest SUBARU dealer.**

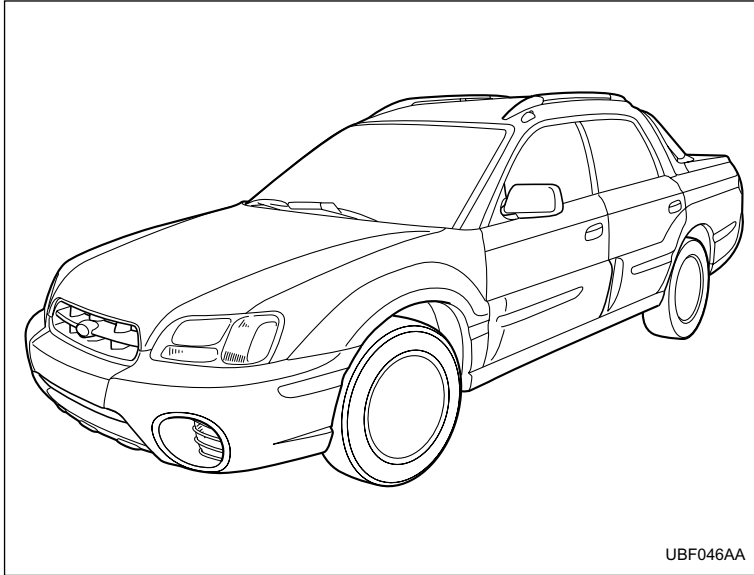
**The information, specifications and illustrations found in this manual are those in effect at the time of printing. FUJI HEAVY INDUSTRIES LTD. reserves the right to change specifications and designs at any time without prior notice and without incurring any obligation to make the same or similar changes on vehicles previously sold. This Owner's Manual applies to all models and covers all equipment, including factory installed options. Some explanations, therefore may be for equipment not installed in your vehicle.**

**Please leave this manual in the vehicle at the time of resale. The next owner will need the information found herein.**

**FUJI HEAVY INDUSTRIES LTD., TOKYO, JAPAN**

 **SUBARU** is a registered trademark of FUJI HEAVY INDUSTRIES LTD.

© copyright 2004 FUJI HEAVY INDUSTRIES LTD.



UBF046AA

---

## Warranties

---

### ■ Warranties for U.S.A.

All SUBARU vehicles distributed by Subaru of America, Inc. and sold at retail by an authorized SUBARU dealer in the United States come with the following warranties:

- SUBARU Limited Warranty
- Emission Control Systems Warranty
- Emissions Performance Warranty

All warranty information, including details of coverage and exclusions, is in the “Warranty and Maintenance Booklet”. Please read these warranties carefully.

### ■ Warranties for Canada

All SUBARU vehicles distributed by Subaru Canada, Inc. and sold at retail by an authorized SUBARU dealer in Canada come with the following warranties:

- SUBARU Limited Warranty
- Anti-Corrosion Warranty
- Emission Control Warranty

All warranty information, including details of coverage and exclusions, is in the “Warranty and Service Booklet”. Please read these warranties carefully.

### NOTE

**This vehicle does not contain mercury devices or parts.**

---

## How to use this owner's manual

---

### ■ Using your Owner's manual

Before you operate your vehicle, carefully read this manual. To protect yourself and extend the service life of your vehicle, follow the instructions in this manual. Failure to observe these instructions may result in serious injury and damage to your vehicle.

This manual is composed of fourteen chapters. Each chapter begins with a brief table of contents, so you can usually tell at a glance if that chapter contains the information you want.

#### **Chapter 1: Seat, seatbelt and SRS airbags**

This chapter informs you how to use the seat and seatbelt and contains precautions for the SRS airbags.

#### **Chapter 2: Keys and doors**

This chapter informs you how to operate the keys, locks and windows.

#### **Chapter 3: Instruments and controls**

This chapter informs you about the operation of instrument panel indicators and how to use the instruments and other switches.

#### **Chapter 4: Climate control**

This chapter informs you how to operate the climate control.

#### **Chapter 5: Audio**

This chapter informs you how to operate your audio system.

#### **Chapter 6: Interior and exterior equipments**

This chapter informs you how to operate interior and exterior equipments.

#### **Chapter 7: Starting and operating**

This chapter informs you how to start and operate your SUBARU.

#### **Chapter 8: Driving tips**

This chapter informs you how to drive your SUBARU in various conditions and explains some safety tips on driving.

#### **Chapter 9: In case of emergency**

This chapter informs you what to do if you have a problem while driving, such as a flat tire or engine overheating.

#### **Chapter 10: Appearance care**

This chapter informs you how to keep your SUBARU looking good.

#### **Chapter 11: Maintenance and service**

This chapter informs you when you need to take your SUBARU to the dealer for scheduled maintenance and informs you how to keep your SUBARU running properly.

#### **Chapter 12: Specifications**

This chapter informs you about dimension and capacities of your SUBARU.

---

### Chapter 13: Consumer information and Reporting safety defects

This chapter informs you about Tire information, Uniform tire quality grading standards and Reporting safety defects.

### Chapter 14: Index

This is an alphabetical listing of all that's in this manual. You can use it to quickly find something you want to read.

## ■ Safety warnings

You will find a number of WARNINGS, CAUTIONS and NOTES in this manual.

These safety warnings alert you to potential hazards that could result in injury to you or others.

Please read these safety warnings as well as all other portions of this manual carefully in order to gain a better understanding of how to use your SUBARU vehicle safely.

### WARNING

A **WARNING** indicates a situation in which serious injury or death could result if the warning is ignored.

---

### CAUTION

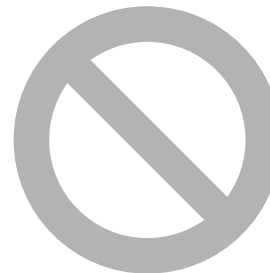
A **CAUTION** indicates a situation in which injury or damage to your vehicle, or both, could result if the caution is ignored.

---

### NOTE

A **NOTE** gives information or suggestions how to make better use of your vehicle.

## ■ Safety symbol



HSF019AA

You will find a circle with a slash through it in this man-

– CONTINUED –

---

ual. This symbol means “Do not”, “Do not do this”, or “Do not let this happen”, depending upon the context.

---

## Safety precautions when driving

---

### ■ Seatbelt and SRS airbag

 **WARNING**

- All persons in the vehicle should fasten their seatbelts **BEFORE** the vehicle starts to move. Otherwise, the possibility of serious injury becomes greater in the event of a sudden stop or accident.
- To obtain maximum protection in the event of an accident, the driver and all passengers in the vehicle should always wear seatbelts when the vehicle is moving. The SRS (Supplemental Restraint System) airbag does not do away with the need to fasten seatbelts. In combination with the seatbelts, it offers the best combined protection in case of a serious accident. Not wearing a seatbelt increases the chance of severe injury or death in a crash even when the vehicle has the SRS airbag.
- The SRS airbags deploy with considerable speed and force. Occupants who are out of proper position when the SRS airbag deploys could suffer very serious injuries. Because the SRS airbag needs enough space for deploy-

---

ment, the driver should always sit upright and well back in the seat as far from the steering wheel as practical while still maintaining full vehicle control and the front passenger should move the seat as far back as possible and sit upright and well back in the seat.

Carefully read the sections “Seat, seatbelt and SRS airbags” in chapter 1 of this owner’s manual for instructions and precautions concerning the seatbelt system and SRS airbag system.

## ■ Child safety

### **WARNING**

- Never hold a child on your lap or in your arms while the vehicle is moving. The passenger cannot protect the child from injury in a collision, because the child will be caught between the passenger and objects inside the vehicle.
- While riding in the vehicle, infants and small children should always be placed in the REAR seat in an infant or child restraint system which is appropriate for the child’s age, height and weight. If a child is too big for a child restraint

system, the child should sit in the REAR seat and be restrained using the seatbelts. According to accident statistics, children are safer when properly restrained in the rear seating positions than in the front seating positions. Never allow a child to stand up or kneel on the seat.

- Put children aged 12 and under in the REAR seat properly restrained at all times in a child restraint device or in a seatbelt. The SRS airbag deploys with considerable speed and force and can injure or even kill children, especially if they are 12 years of age and under and are not restrained or improperly restrained. Because children are lighter and weaker than adults, their risk being injured from deployment is greater.

- NEVER INSTALL A REARWARD FACING CHILD SAFETY SEAT IN THE FRONT SEAT. DOING SO RISKS SERIOUS INJURY OR DEATH TO THE CHILD BY PLACING THE CHILD’S HEAD TOO CLOSE TO THE SRS AIRBAG.

- Always use the child safety locks whenever a child rides in the rear seat. Serious injury could result if a child accidentally opened the door and fell out. Refer to the “Door locks” section in chapter 2.

- Always lock the passenger’s windows using

– CONTINUED –



---

the lock switch when children are riding in the vehicle. Failure to follow this procedure could result in injury to a child operating the power window. Refer to the “Power windows” section in chapter 2.

- Never leave unattended children in the vehicle. They could accidentally injure themselves or others through inadvertent operation of the vehicle. Also, on hot or sunny days, temperature in a closed vehicle could quickly become high enough to cause severe or possibly fatal injuries to them.

---

Carefully read the sections “Child restraint systems”, “SRS airbag (Supplemental Restraint System airbag)”, and “Seatbelts” in chapter 1 of this owner’s manual for instructions and precautions concerning the child restraint system, seatbelt system and SRS airbag system.

### ■ Engine exhaust gas (carbon monoxide)

---

#### WARNING

- Never inhale engine exhaust gas. Engine ex-

haust gas contains carbon monoxide, a colorless and odorless gas which is dangerous, or even lethal, if inhaled.

- Always properly maintain the engine exhaust system to prevent engine exhaust gas from entering the vehicle.
  - Never run the engine in a closed space, such as a garage, except for the brief time needed to drive the vehicle in or out of it.
  - Avoid remaining in a parked vehicle for a lengthy time while the engine is running. If that is unavoidable, then use the ventilation fan to force fresh air into the vehicle.
  - Always keep the front ventilator inlet grille free from snow, leaves or other obstructions to ensure that the ventilation system always works properly.
  - If at any time you suspect that exhaust fumes are entering the vehicle, have the problem checked and corrected as soon as possible. If you must drive under these conditions, drive only with all windows fully open.
-

---

## ■ Drinking and driving

### WARNING

Drinking and then driving is very dangerous. Alcohol in the bloodstream delays your reaction and impairs your perception, judgment and attentiveness. If you drive after drinking – even if you drink just a little – it will increase the risk of being involved in a serious or fatal accident, injuring or killing yourself, your passengers and others. In addition, if you are injured in the accident, alcohol may increase the severity of that injury.

**Please don't drink and drive.**

Drunken driving is one of the most frequent causes of accidents. Since alcohol affects all people differently, you may have consumed too much alcohol to drive safely even if the level of alcohol in your blood is below the legal limit. The safest thing you can do is never drink and drive. However if you have no choice but to drive, stop drinking and sober up completely before getting behind the wheel.

## ■ Drugs and driving

### WARNING

There are some drugs (over the counter and prescription) that can delay your reaction time and impair your perception, judgment and attentiveness. If you drive after taking them, it may increase your, your passengers' and other persons' risk of being involved in a serious or fatal accident.

If you are taking any drugs, check with your doctor or pharmacist or read the literature that accompanies the medication to determine if the drug you are taking can impair your driving ability. Do not drive after taking any medications that can make you drowsy or otherwise affect your ability to safely operate a motor vehicle. If you have a medical condition that requires you to take drugs, please consult with your doctor.

Never drive if you are under the influence of any illicit mind-altering drugs. For your own health and well-being, we urge you not to take illegal drugs in the first place and to seek treatment if you are addicted to those drugs.

– CONTINUED –

---

## ■ Driving when tired or sleepy

### WARNING

When you are tired or sleepy, your reaction will be delayed and your perception, judgment and attentiveness will be impaired. If you drive when tired or sleepy, your, your passengers' and other persons' chances of being involved in a serious accident may increase.

Please do not continue to drive but instead find a safe place to rest if you are tired or sleepy. On long trips, you should make periodic rest stops to refresh yourself before continuing on your journey. When possible, you should share the driving with others.

## ■ Car phone/mobile phone and driving

### CAUTION

**Do not use a hand-held phone while driving; it may distract your attention from driving and can lead to an accident. If you use a hand-held phone, pull off the road and park in the safe place before using your phone. In some States/**

**Provinces, only hands-free phones may legally be used while driving.**

## ■ Modification of your vehicle

### CAUTION

**Your vehicle should not be modified. Modification could affect its performance, safety or durability, and may even violate governmental regulations. In addition, damage or performance problems resulting from modification may not be covered under warranties.**

## ■ Driving with pets

Unrestrained pets can interfere with your driving and distract your attention from driving. In a collision or sudden stop, unrestrained pets or cages can be thrown around inside the vehicle and hurt you or your passengers. Besides, the pets can be hurt under these situations. It is also for their own safety that pets should be properly restrained in your vehicle. Restrain a pet with a special traveling harness which can be secured to the rear seat with a seatbelt or use a pet car-

---

rier which can be secured to the rear seat by routing a seatbelt through the carrier's handle. Never restrain pets or pet carriers in the front passenger's seat. For further information, consult your veterinarian, local animal protection society or pet shop.

### ■ Tire pressures

 **WARNING**

**Driving at high speeds with excessively low tire pressures can cause the tires to deform severely and to rapidly become hot. A sharp increase in temperature could cause tread separation, and destruction of the tires. The resulting loss of vehicle control could lead to an accident.**

Check and, if necessary, adjust the pressure of each tire (including the spare) at least once a month and before any long journey.

Check the tire pressure when the tires are cold. Use a pressure gauge to adjust the tire pressures to the values shown on the tire placard. Refer to the "Tires and wheels" section in chapter 11 for detailed information.

### ■ California proposition 65 warning

 **WARNING**

**Engine exhaust, some of its constituents, and certain vehicle components contain or emit chemicals known to the State of California to cause cancer and birth defects or other reproductive harm. In addition, certain fluids in vehicles and certain components of product wear contain or emit chemicals known to the State of California to cause cancer and birth defects or other reproductive harm.**

## Table of contents

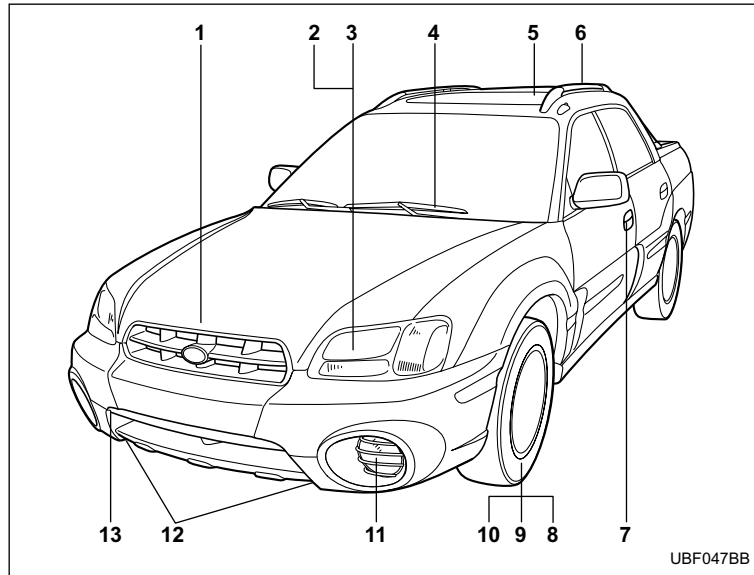
|  |           |
|--|-----------|
| <i>Seat, seatbelt and SRS airbags</i>                    | <b>1</b>  |
| <i>Keys and doors</i>                                    | <b>2</b>  |
| <i>Instruments and controls</i>                          | <b>3</b>  |
| <i>Climate control</i>                                   | <b>4</b>  |
| <i>Audio</i>   | <b>5</b>  |
| <i>Interior equipment</i>                                | <b>6</b>  |
| <i>Starting and operating</i>                            | <b>7</b>  |
| <i>Driving tips</i>                                      | <b>8</b>  |
| <i>In case of emergency</i>                              | <b>9</b>  |
| <i>Appearance care</i>                                   | <b>10</b> |
| <i>Maintenance and service</i>                           | <b>11</b> |
| <i>Specifications</i>                                    | <b>12</b> |
| <i>Consumer information and Reporting safety defects</i> | <b>13</b> |
| <i>Index</i>   | <b>14</b> |

---

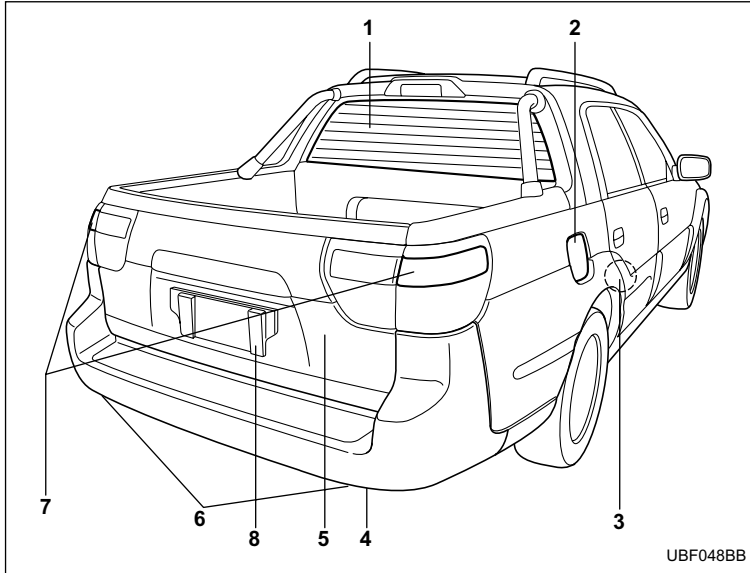
## Illustrated index

---

### ■ Exterior



- 1) Hood lock release knob (page 11-5)
- 2) Headlight switch (page 3-18)
- 3) Bulb replacement (page 11-64)
- 4) Wiper switch (page 3-25)
- 5) Moonroof (page 2-31)
- 6) Roof rail (page 6-24)
- 7) Door locks (page 2-3)
- 8) Tire pressure (page 11-46)
- 9) Flat tires (page 9-12)
- 10) Tire chains (page 8-15)
- 11) Fog light button (page 3-23)
- 12) Tie-down hooks (page 9-23)
- 13) Towing hook (page 9-23)



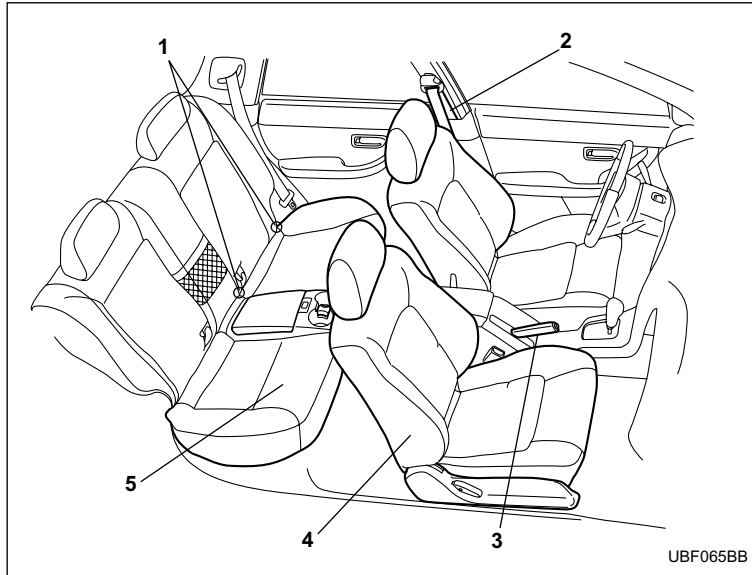
- 1) Rear window defogger button (page 3-26)
- 2) Fuel filler lid (page 7-4)
- 3) Child safety locks (page 2-21)
- 4) Towing hook (page 9-23)
- 5) Tailgate (page 2-25)
- 6) Tie-down hooks (page 9-2)
- 7) Bulb replacement (page 11-61)
- 8) Licence plate bracket (page 2-26)

– CONTINUED –

---

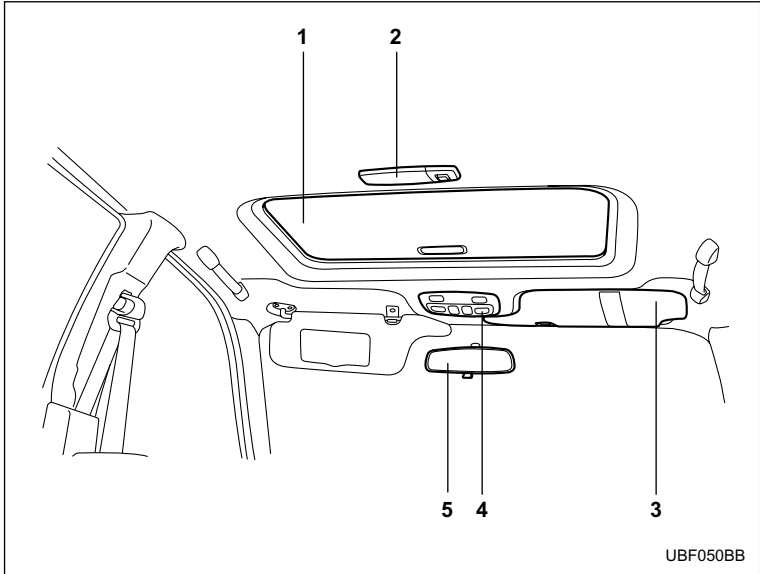
## ■ Interior

### ▼ Passenger compartment area

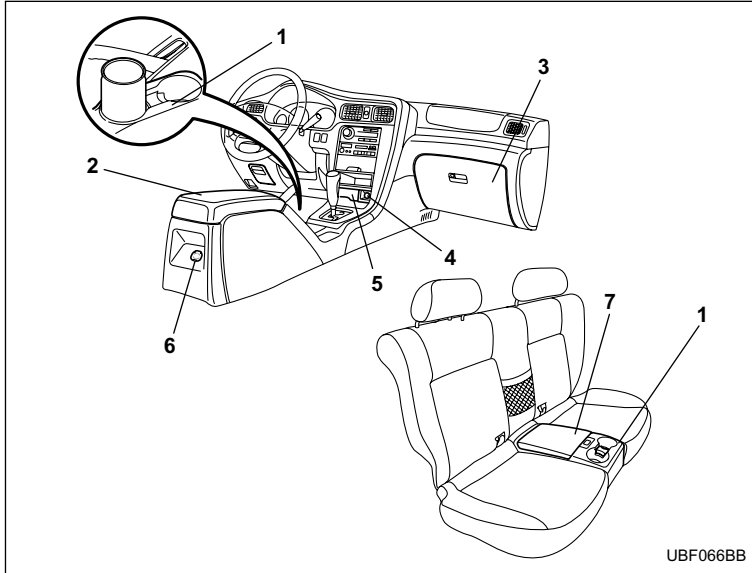


- 1) Lower anchorage for child restraint system (page 2-21)
- 2) Seatbelt (page 1-14)
- 3) Parking brake lever (page 7-36)
- 4) Front seat (page 1-2)
- 5) Rear seat (page 1-9)





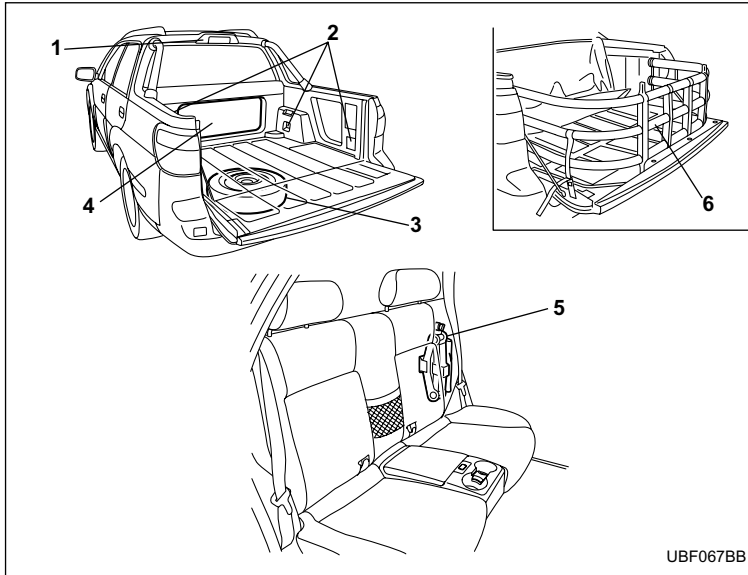
- 1) Moonroof (page 2-31)
- 2) Interior lights (page 6-2)
- 3) Sun visors (page 6-3)
- 4) Map light (page 6-3)
- 5) Inside mirror (page 3-28)



- 1) Cup holder (page 6-7)
- 2) Center console (page 6-5)
- 3) Glove box (page 6-5)
- 4) Cigarette lighter (page 6-9)
- 5) Ashtray (page 6-12)
- 6) Accessory power outlet (page 6-8)
- 7) Rear center console (page 6-6)

---

▼ **Cargo bed/spare tire/jack**



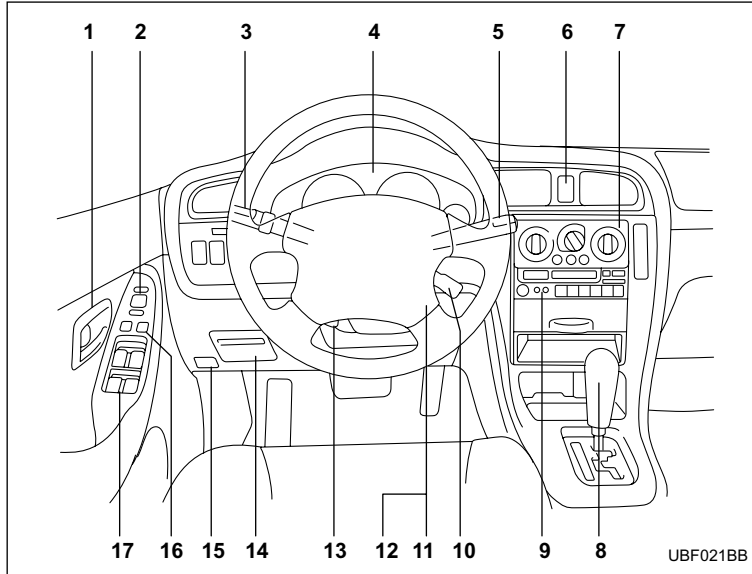
- 1) Cargo lamp (page 6-20)
- 2) Cargo tie-down hooks (page 6-17)
- 3) Temporary spare tire (page 9-10)
- 4) Switchback door (page 2-27)
- 5) Jack/Maintenance tools (page 9-3)
- 6) Cargo bed extender (page 6-17)

UBF067BB

---

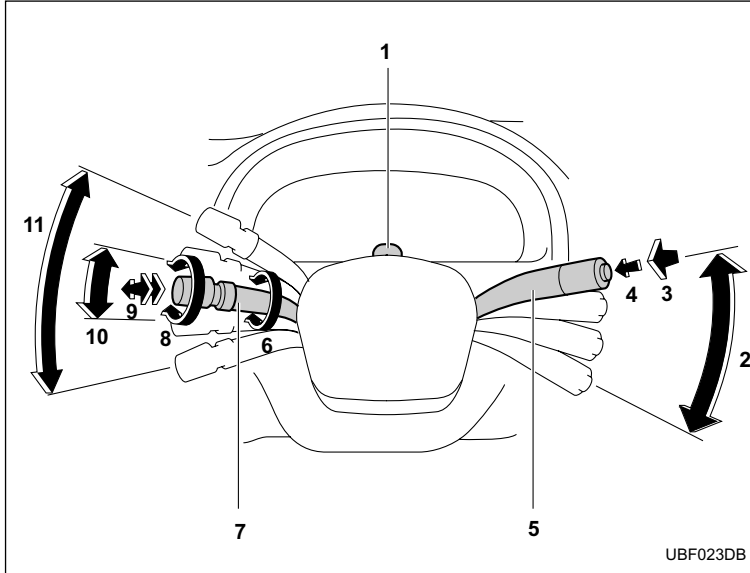
– CONTINUED –

## ■ Instrument panel



- 1) Door locks (page 2-3)
- 2) Outside mirror (page 3-30)
- 3) Light control lever (page 3-18)
- 4) Combination meter (page 3-6)
- 5) Wiper control lever (page 3-23)
- 6) Hazard warning flasher switch (page 3-5)
- 7) Climate control (page 4-1)
- 8) Gear shift lever (MT) (page 7-12)/Selector lever (AT) (page 7-15)
- 9) Audio (page 5-1)
- 10) Cruise control (page 7-38)
- 11) Horn (page 3-34)
- 12) SRS airbag (page 1-47)
- 13) Tilt steering (page 3-33)
- 14) Fuse box (page 11-57)
- 15) Hood lock release knob (page 11-5)
- 16) Power door locking switch (page 2-5)
- 17) Power window (page 2-22)

## ■ Light control and wiper control levers/switches

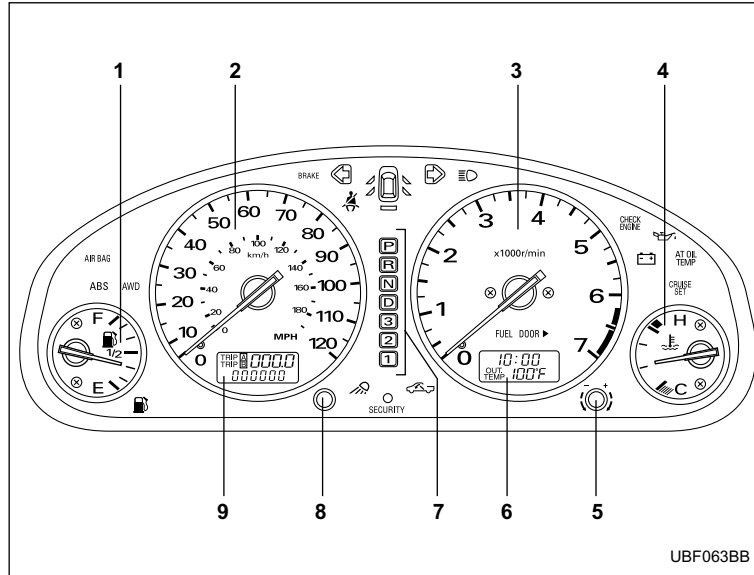


- 1) Parking light switch (page 3-22)
- 2) Windshield wiper (page 3-23)
- 3) Mist (page 3-25)
- 4) Windshield washer (page 3-25)
- 5) Wiper control lever (page 3-25)
- 6) Illumination brightness control (page 3-21)
- 7) Light control lever (page 3-18)
- 8) Headlight ON/OFF (page 3-18)
- 9) Headlight flasher High/Low beam change (page 3-18)
- 10) Turn signal (for lane change) (page 3-20)
- 11) Turn signal (page 3-20)

– CONTINUED –

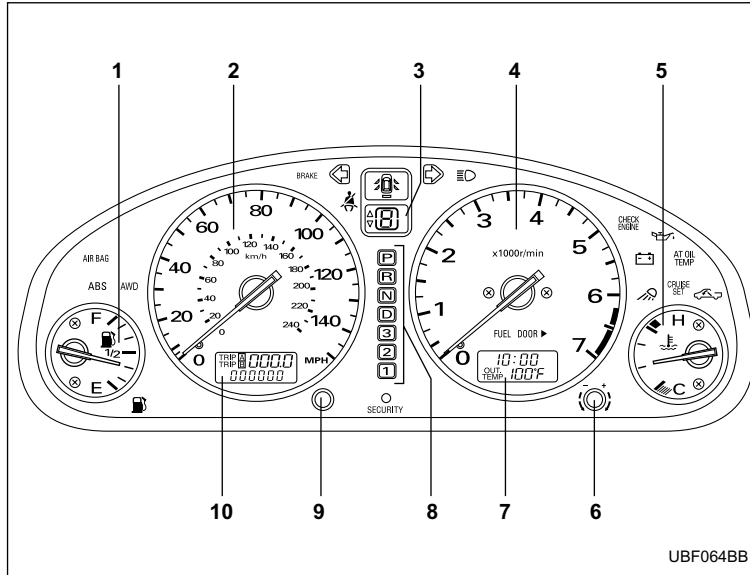
## ■ Combination meter

### ▼ Non-turbo models



- 1) Fuel gauge (page 3-8)
- 2) Speedometer (page 3-6)
- 3) Tachometer (page 3-7)
- 4) Temperature gauge (page 3-8)
- 5) Clock setting knob (page 3-17)
- 6) Clock and outside temperature indicator (page 3-17, 3-7)
- 7) Selector lever position indicator (page 3-15)
- 8) Trip meter A/B selection and trip meter reset knob (page 3-6)
- 9) Trip meter and odometer (page 3-6)







▼ Turbo models





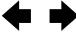



- 1) Fuel gauge (page 3-8)
- 2) Speedometer (page 3-6)
- 3) Gear position indicator (page 3-16)
- 4) Tachometer (page 3-7)
- 5) Temperature gauge (page 3-8)
- 6) Clock setting knob (page 3-17)
- 7) Clock and outside temperature indicator (page 3-17, 3-7)
- 8) Selector lever position indicator (page 3-15)
- 9) Trip meter A/B selection and trip meter reset knob (page 3-6)
- 10) Trip meter and odometer (page 3-6)

– CONTINUED –

▼ **Warning and indicator light**

| Mark   | Name   | Page |
|--|--|------|
|           | Seatbelt warning light                                 | 3-9  |
| AIR BAG  | SRS airbag system warning light                        | 3-10 |
| CHECK ENGINE   | CHECK ENGINE warning light/ Malfunction indicator lamp | 3-10 |
|           | Charge warning light                                   | 3-11 |
|           | Oil pressure warning light                             | 3-12 |
| AT OIL TEMP  | AT OIL temperature warning light (if equipped)         | 3-12 |
| ABS or    | ABS warning light                                      | 3-12 |
| BRAKE or  | Brake system warning light                             | 3-13 |
|           | Door ajar warning light                                | 3-14 |

| Mark  | Name  | Page |
|---|---|------|
|  | Low fuel warning light                        | 3-14 |
| AWD   | All-Wheel Drive warning light (if equipped)   | 3-14 |
|  | Switchback door indicator                     | 3-14 |
|  | Security system indicator light (if equipped) | 3-15 |
|  | Cargo lamp indicator                          | 3-16 |
|  | Turn signal indicator lights                  | 3-16 |
|  | High beam indicator light                     | 3-16 |
| CRUISE SET  | Cruise control set indicator light            | 7-38 |



**A**

|  |            |
|--|------------|
| ABS (Anti-lock Brake System) .....                     | 7-33       |
| Warning light .....                                    | 3-12       |
| Accessories .....                                      | 5-4, 11-60 |
| Air cleaner element .....                              | 11-23      |
| Air conditioner operation .....                        | 4-10       |
| Air filtration system .....                            | 4-13       |
| All-Wheel Drive warning light .....                    | 3-14       |
| Aluminum wheels .....                                  | 11-52      |
| Antenna system .....                                   | 5-2        |
| Anti-lock Brake System (ABS) .....                     | 7-33       |
| Ashtray .....  | 6-12       |
| AT OIL TEMPerature warning light .....                 | 3-12       |
| Audio set .....  | 5-4        |
| Auto-dimming mirror/compass .....                      | 3-29       |
| Automatic transmission .....                           | 7-15, 7-21 |
| Capacities .....                                       | 12-3       |
| Fluid .....  | 11-29      |
| Selector lever .....                                   | 7-16, 7-22 |
| Shift lock release .....                               | 7-20, 7-30 |
| SPORTSHIFT mode – Turbo models .....                   | 7-21       |
| Temperature warning light .....                        | 3-12       |
| Automatic/Emergency Locking Retractor<br>(A/ELR) ..... | 1-16       |
| AWD warning light .....                                | 3-14       |

**B**

|  |       |
|--|-------|
| Battery .....                                      | 11-56 |
| Jump starting .....                                | 9-18  |
| Replacement (Remote keyless entry<br>system) ..... | 2-10  |
| Bed extender .....                                 | 6-17  |
| Brake  |       |
| Booster .....                                      | 11-41 |
| Fluid .....  | 11-38 |
| Pad and lining .....                               | 11-43 |
| Pedal .....  | 11-41 |
| Brake pedal  |       |
| Free play .....                                    | 11-41 |
| Reserve distance .....                             | 11-42 |
| Brake system .....                                 | 7-32  |
| Warning light .....                                | 3-13  |
| Braking .....                                      | 7-32  |
| Breaking-in of new brake pads and<br>linings ..... | 11-44 |
| Tips .....   | 7-32  |
| Bulb   |       |
| Chart .....  | 12-8  |
| Replacing .....                                    | 11-61 |

**C**

|                  |      |
|------------------|------|
| Capacities ..... | 12-3 |
|------------------|------|

|   |                            |                              |           |
|---|----------------------------|------------------------------|-----------|
| Cargo   |                            | Child safety                 | 5         |
| Bed   | 6-16                       | Locks                        | 2-21      |
| Lamp  | 6-20                       | Chime                        |           |
| Lamp indicator light                                      | 3-16                       | Key                          | 3-4       |
| Net hooks   | 6-13                       | Seatbelt                     | 1-17, 3-9 |
| Tie-down hooks  | 6-17                       | Cigarette lighter socket     | 6-9       |
| Catalytic converter                                       | 8-4                        | Cleaning                     |           |
| Center  |                            | Aluminum wheels              | 10-4      |
| Console   | 6-5                        | Fog light lens               | 10-4      |
| Ventilators   | 4-2                        | Interior                     | 10-6      |
| Changing  |                            | Ventilator grille            | 4-11      |
| Flat tire   | 9-12                       | Clock                        | 3-17      |
| Oil and oil filter  | 11-12                      | Clutch fluid                 | 11-39     |
| Charge warning light                                      | 3-11                       | Clutch pedal                 | 11-42     |
| CHECK ENGINE warning light/<br>Malfunction indicator lamp | 3-10                       | Coat hook                    | 6-13      |
| Checking  |                            | Coin compartment             | 6-6       |
| Brake pedal free play                                     | 11-41                      | Convenience hook             | 6-13      |
| Brake pedal reserve distance                              | 11-42                      | Cooling system               | 11-17     |
| Clutch function   | 11-42                      | Corrosion protection         | 10-5      |
| Clutch pedal free play                                    | 11-43                      | Cover                        |           |
| Engine oil level  | 11-10                      | Soft bed                     | 6-21      |
| Fluid level   | 11-29, 11-36, 11-38, 11-39 | Cruise control               | 7-38      |
| Gear oil level  | 11-27, 11-33               | Set indicator light          | 3-16      |
| Child restraint systems                                   | 1-28                       | Cup holder                   | 6-7       |
| Installation with seatbelt                                | 1-32                       |                              |           |
| Lower and tether anchorages                               | 1-40                       | <b>D</b>                     |           |
|   |                            | Daytime running light system | 3-20      |

## Index

---

|  |                       |
|--|-----------------------|
| Differential gear oil                        |                       |
| Front .....                                  | 11-32                 |
| Rear .....                                   | 11-33                 |
| Dimensions .....                             | 12-2                  |
| Disarming the system .....                   | 2-17, 2-19            |
| Disc brake pad wear warning indicators ..... | 7-33                  |
| Dome light .....                             | 6-2, 11-76            |
| Door ajar warning lights .....               | 3-14                  |
| Door locks .....                             | 2-3                   |
| Drive belts .....                            | 11-26                 |
| Driving                                      |                       |
| Car phone/mobile phone .....                 | 8                     |
| Drinking .....                               | 7                     |
| Drugs .....                                  | 7                     |
| Foreign countries .....                      | 8-6                   |
| Pets .....                                   | 8                     |
| Snowy and icy roads .....                    | 8-13                  |
| Tips .....                                   | 7-14, 7-19, 7-29, 8-7 |
| Tired or sleepy .....                        | 8                     |
| <b>E</b>                                     |                       |
| Electrical system .....                      | 12-3                  |
| Emergency Locking Retractor (ELR) .....      | 1-16                  |
| Engine                                       |                       |
| Compartment overview .....                   | 11-8                  |
| Coolant .....                                | 11-18                 |
| Exhaust gas (Carbon monoxide) .....          | 8-3                   |

|   |       |
|---|-------|
| Hood .....  | 11-5  |
| Oil .....   | 11-10 |
| Overheating .....   | 9-21  |
| Starting .....  | 7-9   |
| Stopping .....  | 7-12  |
| Exterior care .....   | 10-2  |
| <b>F</b>  |       |
| Flat tires .....  | 9-12  |
| Floor mat .....   | 6-15  |
| Fluid level   |       |
| Automatic transmission .....                                    | 11-29 |
| Brake .....   | 11-38 |
| Clutch .....  | 11-39 |
| Power steering .....  | 11-36 |
| Fog light button .....  | 3-23  |
| Folding down the rear seat .....                                | 1-10  |
| Front   |       |
| Differential gear oil .....                                     | 11-32 |
| Fog light .....   | 11-68 |
| Seatbelt pretensioners .....                                    | 1-24  |
| Seats .....   | 1-2   |
| Turn signal light, parking light and<br>side marker light ..... | 11-69 |
| Fuel .....  | 7-2   |
| Economy hints .....   | 8-2   |
| Filler door and cap .....                                       | 7-4   |

---

|  |             |                                       |       |
|--|-------------|---------------------------------------|-------|
| Gauge .....                                    | 3-8         | Indicator light                       |       |
| Requirements .....                             | 7-2         | High beam .....                       | 3-16  |
| Fuses .....                                    | 11-57       | Selector lever position .....         | 3-15  |
| Fuses and circuits .....                       | 12-5        | Turn signal .....                     | 3-16  |
| <b>G</b>                                       |             | Inside mirror .....                   | 3-28  |
| GAWR (Gross Axle Weight Rating) .....          | 8-19        | Interior light .....                  | 6-2   |
| Glove box .....                                | 6-5         | <b>J</b>                              |       |
| GVWR (Gross Vehicle Weight Rating) .....       | 8-19        | Jack and tools .....                  | 9-3   |
| <b>H</b>                                       |             | Jump starting .....                   | 9-18  |
| Hazard warning flasher .....                   | 3-5         | <b>K</b>                              |       |
| Head restraint adjustment (Front) .....        | 1-6         | Key                                   |       |
| Headlight flasher .....                        | 3-19        | Interlock release .....               | 3-4   |
| Headlights .....                               | 3-18, 11-64 | Number .....                          | 2-2   |
| Heater operation .....                         | 4-7         | Reminder chime .....                  | 3-4   |
| High beam indicator light .....                | 3-16        | Keys .....                            | 2-2   |
| High mount stop and cargo light assembly ..... | 11-77       | <b>L</b>                              |       |
| Horn .....                                     | 3-34        | Leather seat materials .....          | 10-6  |
| Hose and connections .....                     | 11-18       | License plate bracket .....           | 2-26  |
| <b>I</b>                                       |             | License plate light .....             | 11-74 |
| Ignition switch .....                          | 3-2         | Light control switch .....            | 3-18  |
| Illuminated entry .....                        | 2-9         | Limited slip differential (LSD) ..... | 7-31  |
| Illumination brightness control .....          | 3-21        | Loading your vehicle .....            | 8-16  |
|  |             | Lower tether anchorages .....         | 1-40  |

---

## Index

---

LSD (Limited slip differential) ..... 7-31

### M

Main fuse ..... 11-60

#### Maintenance

    Precautions ..... 11-3

    Schedule ..... 11-3

    Seatbelt ..... 1-21

#### Malfunction indicator lamp

    (Check Engine light) ..... 3-10

Manual transmission ..... 7-12

Manual transmission oil ..... 11-27

Map light ..... 6-3

Maximum load limits ..... 8-25

Meters and gauges ..... 3-6

Mirrors ..... 3-28

Moonroof ..... 2-31, 9-28

### N

New vehicle break-in driving –  
    the first 1,000 miles (1,600 km) ..... 8-2

### O

Odometer/Trip meter ..... 3-6

Off road driving ..... 8-9

#### Oil level

    Engine ..... 11-10

    Front differential (AT vehicles) ..... 11-32

    Manual transmission ..... 11-27

    Rear differential ..... 11-33

Oil pressure warning light ..... 3-12

Outside mirrors ..... 3-30

Overheating engine ..... 9-21

### P

#### Parking

    Brake ..... 7-36

    Brake stroke ..... 11-45

    Light switch ..... 3-22

Periodic inspections ..... 8-6

#### Power

    Door locking switches ..... 2-5

    Steering ..... 7-31

    Steering fluid ..... 11-36

    Windows ..... 2-22

### R

#### Rear

    Center console ..... 6-6

    Combination lights ..... 11-70

    Differential gear oil ..... 11-33

    Seats ..... 1-9

|  |                      |  |
|--|----------------------|--|
| Rear seat                                      |                      |  |
| Folding down .....                             | 1-10                 |  |
| Rear window                                    |                      |  |
| Defogger button .....                          | 3-26                 |  |
| Recommended                                    |                      |  |
| Automatic transmission fluid .....             | 11-31                |  |
| Brake fluid .....                              | 11-39                |  |
| Clutch fluid .....                             | 11-40                |  |
| Oil grade and viscosity .....                  | 11-15, 11-16, 11-28, |  |
|  | 11-32, 11-35         |  |
| Power steering fluid .....                     | 11-37                |  |
| Spark plugs .....                              | 11-26                |  |
| Remote keyless entry system .....              | 2-7                  |  |
| Replacement                                    |                      |  |
| Brake pad and lining .....                     | 11-43                |  |
| Windshield wiper blades .....                  | 11-53                |  |
| Replacing                                      |                      |  |
| Air cleaner element .....                      | 11-23                |  |
| Battery (remote keyless entry system) .....    | 2-10                 |  |
| Lost transmitters (keyless entry system) ..... | 2-11                 |  |
| Replacing bulbs .....                          | 11-61                |  |
| Cargo light assembly .....                     | 11-77                |  |
| Dome light .....                               | 11-76                |  |
| Front fog light .....                          | 11-68                |  |
| Front turn signal light .....                  | 11-69                |  |
| Headlight .....                                | 11-64                |  |
| High mount stop light assembly .....           | 11-77                |  |
| License plate light .....                      | 11-74                |  |
| Map light .....                                | 11-76                |  |
| Parking light .....                            | 11-69                |  |
| Rear combination lights .....                  | 11-70                |  |
| Tail light .....                               | 11-72                |  |
| Rocking the vehicle .....                      | 8-16                 |  |
| Roof rail and crossbar .....                   | 6-24                 |  |
| <b>S</b>                                       |                      |  |
| Seat   |                      |  |
| Fabric .....                                   | 10-6                 |  |
| Heater .....                                   | 1-7                  |  |
| Seatbelt .....                                 | 4                    |  |
| Maintenance .....                              | 1-21                 |  |
| Pretensioners .....                            | 1-24                 |  |
| Safety tips .....                              | 1-14                 |  |
| Warning light and chime .....                  | 1-17                 |  |
| Seatbelts .....                                | 1-14                 |  |
| Security system .....                          | 2-15                 |  |
| Selector lever .....                           | 7-16, 7-22           |  |
| Position indicator .....                       | 3-15                 |  |
| Shift lock release .....                       | 7-20, 7-30           |  |
| Side ventilators .....                         | 4-2                  |  |
| Snow tires .....                               | 8-14                 |  |
| Soft bed cover .....                           | 6-21                 |  |
| Sounding a panic alarm .....                   | 2-9, 2-18            |  |
| Spark plugs .....                              | 11-25                |  |

## Index

---

|  |             |                                |       |
|--|-------------|--------------------------------|-------|
| Specifications .....                                       | 12-2        | Tie-down hooks .....           | 9-23  |
| Speedometer .....  | 3-6         | Tilt steering wheel .....      | 3-33  |
| Sport activity lights .....                                | 6-30, 11-79 | Tire                           |       |
| SRS airbag (Supplemental Restraint<br>System airbag) ..... | 4, 1-47     | Chains .....                   | 8-15  |
| SRS airbag system monitors .....                           | 1-60        | Information .....              | 13-2  |
| SRS airbag system servicing .....                          | 1-61        | Inspection .....               | 11-46 |
| SRS airbag system warning light .....                      | 3-10        | Pressures and wear .....       | 11-46 |
| SRS frontal airbag .....                                   | 1-52        | Replacement .....              | 11-50 |
| Starting the engine .....                                  | 7-9         | Rotation .....                 | 11-50 |
| State emission testing (U.S. only) .....                   | 7-7         | Tires .....                    | 12-4  |
| Stopping the engine .....                                  | 7-12        | Types .....                    | 11-45 |
| Storage compartments .....                                 | 6-4         | Tires and wheels .....         | 11-45 |
| Sun shades .....   | 2-33        | Top tether anchorages .....    | 1-40  |
| Sun visors .....   | 6-3         | Towing .....                   | 9-22  |
| Supplemental Restraint System airbag<br>(SRS) .....        | 4, 1-47     | All wheels on the ground ..... | 9-27  |
| Switchback door .....                                      | 2-27        | Flat-bed truck .....           | 9-27  |
| Switchback door indicator light .....                      | 2-31, 3-14  | Hooks .....                    | 9-23  |
| Synthetic leather upholstery .....                         | 10-7        | Trailer                        |       |
| <b>T</b>   |             | Hitch .....                    | 8-20  |
| Tachometer .....   | 3-7         | Hitches .....                  | 8-30  |
| Tail light .....   | 11-72       | Towing .....                   | 8-24  |
| Tailgate .....   | 2-25        | Towing tips .....              | 8-33  |
| Temperature gauge .....                                    | 3-8         | Turn signal                    |       |
| Temporary spare tire .....                                 | 9-10        | Indicator lights .....         | 3-16  |
|  |             | Lever .....                    | 3-20  |

**V**

|                       |      |
|-----------------------|------|
| Valet mode .....      | 2-18 |
| Vanity mirror .....   | 6-4  |
| Vehicle               |      |
| Capacity weight ..... | 8-18 |
| Identification .....  | 12-9 |
| Ventilator .....      | 4-2  |

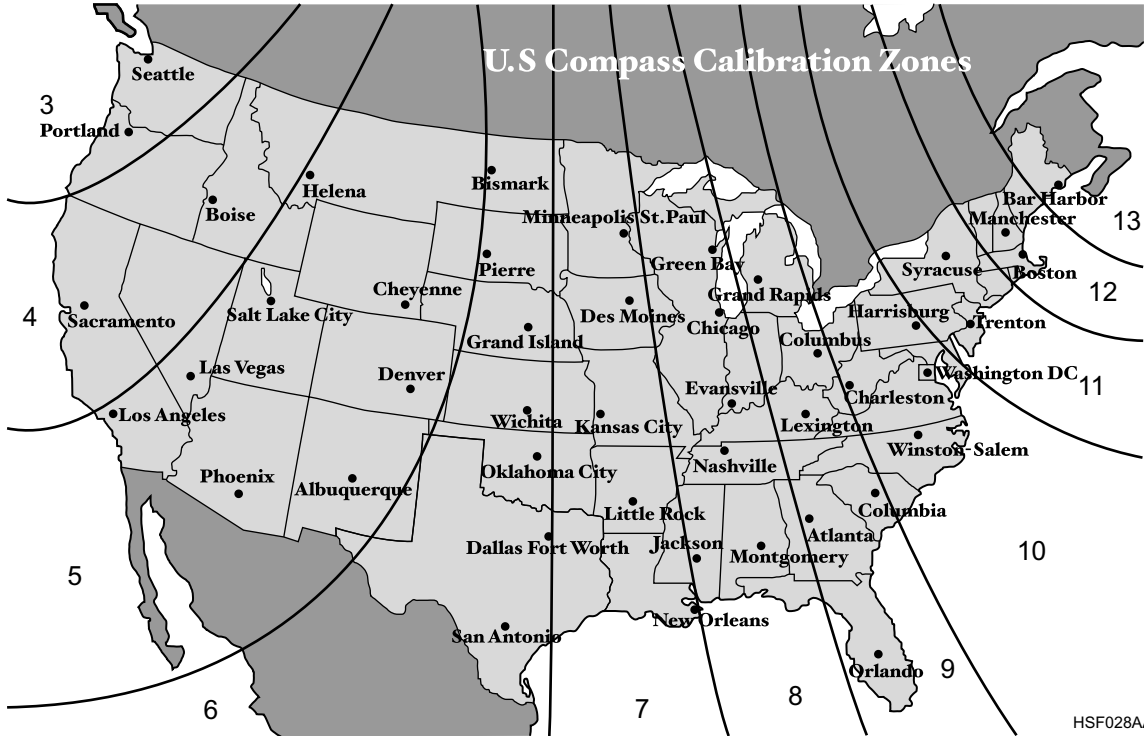
**W**

|                                    |           |
|------------------------------------|-----------|
| Warning and indicator lights ..... | 3-9       |
| Warning lights                     |           |
| ABS .....                          | 3-12      |
| All-Wheel Drive .....              | 3-14      |
| Anti-lock Brake System .....       | 3-12      |
| AT OIL TEMPerature .....           | 3-12      |
| Brake system .....                 | 3-13      |
| Charge .....                       | 3-11      |
| CHECK ENGINE .....                 | 3-10      |
| Door ajar .....                    | 3-14      |
| Oil pressure .....                 | 3-12      |
| Seatbelt .....                     | 1-17, 3-9 |
| SRS airbag system .....            | 3-10      |
| Warranties and maintenance .....   | 8-24      |
| Washing .....                      | 10-2      |
| Waxing and polishing .....         | 10-3      |
| Wear indicators .....              | 11-49     |

**Wheel**

|                                 |       |
|---------------------------------|-------|
| Alignment .....                 | 12-4  |
| Balance .....                   | 11-49 |
| Replacement .....               | 11-51 |
| Windows .....                   | 2-22  |
| Windshield                      |       |
| Washer fluid .....              | 11-52 |
| Wiper and washer switches ..... | 3-25  |
| Wiper deicer .....              | 3-27  |
| Winter driving .....            | 8-11  |
| Wiper and washer .....          | 3-23  |





## **GAS STATION REFERENCE**

### **Fuel:**

#### **▼ Non-turbo models**

Use only unleaded gasoline with an octane rating of 87 AKI or higher.

#### **▼ Turbo models**

Use premium unleaded gasoline with an octane rating of 91 AKI or higher. If premium unleaded gasoline is not available, regular unleaded gasoline with octane rating of 87 AKI or higher may be temporarily used. For optimum engine performance and driveability, it is required that you use premium grade unleaded gasoline.

#### **■ Fuel octane rating**

This octane rating is the average of the Research Octane and Motor Octane numbers and is commonly referred to as the Anti Knock In-

dex (AKI). Refer to “Fuel” section in this manual.

### **Fuel capacity:**

16.9 US gal (64 liters, 14.1 Imp gal)

### **Engine oil:**

Use only API classification SL with the words “ENERGY CONSERVING” and the New API certification mark (starburst mark) displayed on the container (ILSAC GF-3).

### **Engine oil capacity:**

4.2 US qt (4.0 liters, 3.5 Imp qt)

### **Cold tire pressure:**

|       |  |
|-------|--|
| Front | 33 psi (230 kPa, 2.3 kgf/cm <sup>2</sup> ) |
| Rear  | 33 psi (230 kPa, 2.3 kgf/cm <sup>2</sup> ) |