

COMBINATION METER

WIRING SYSTEM

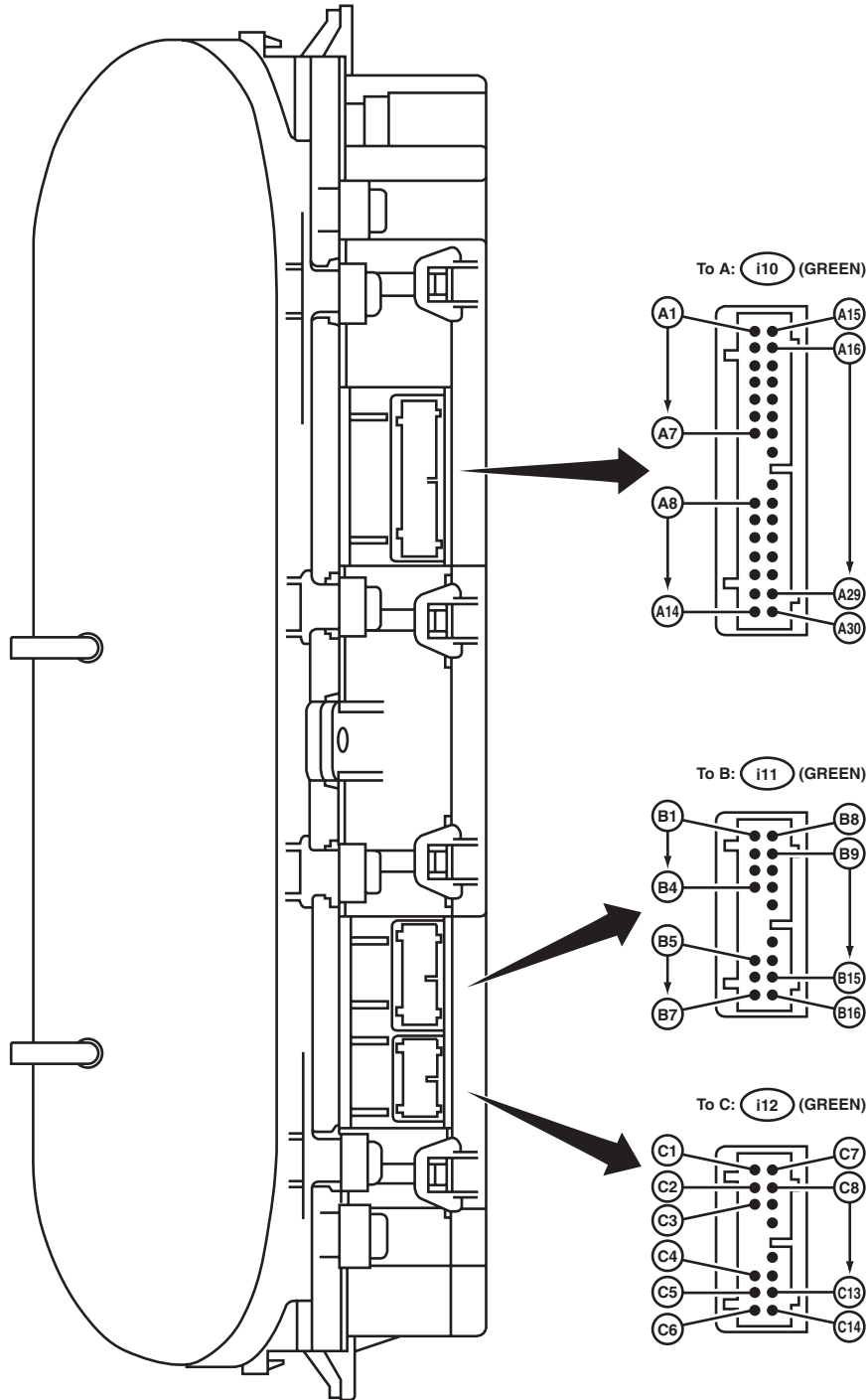
13. Combination Meter

A: SCHEMATIC

1. WITH SPORT SHIFT MODEL

CM(SP)-01

CM(SP)-01



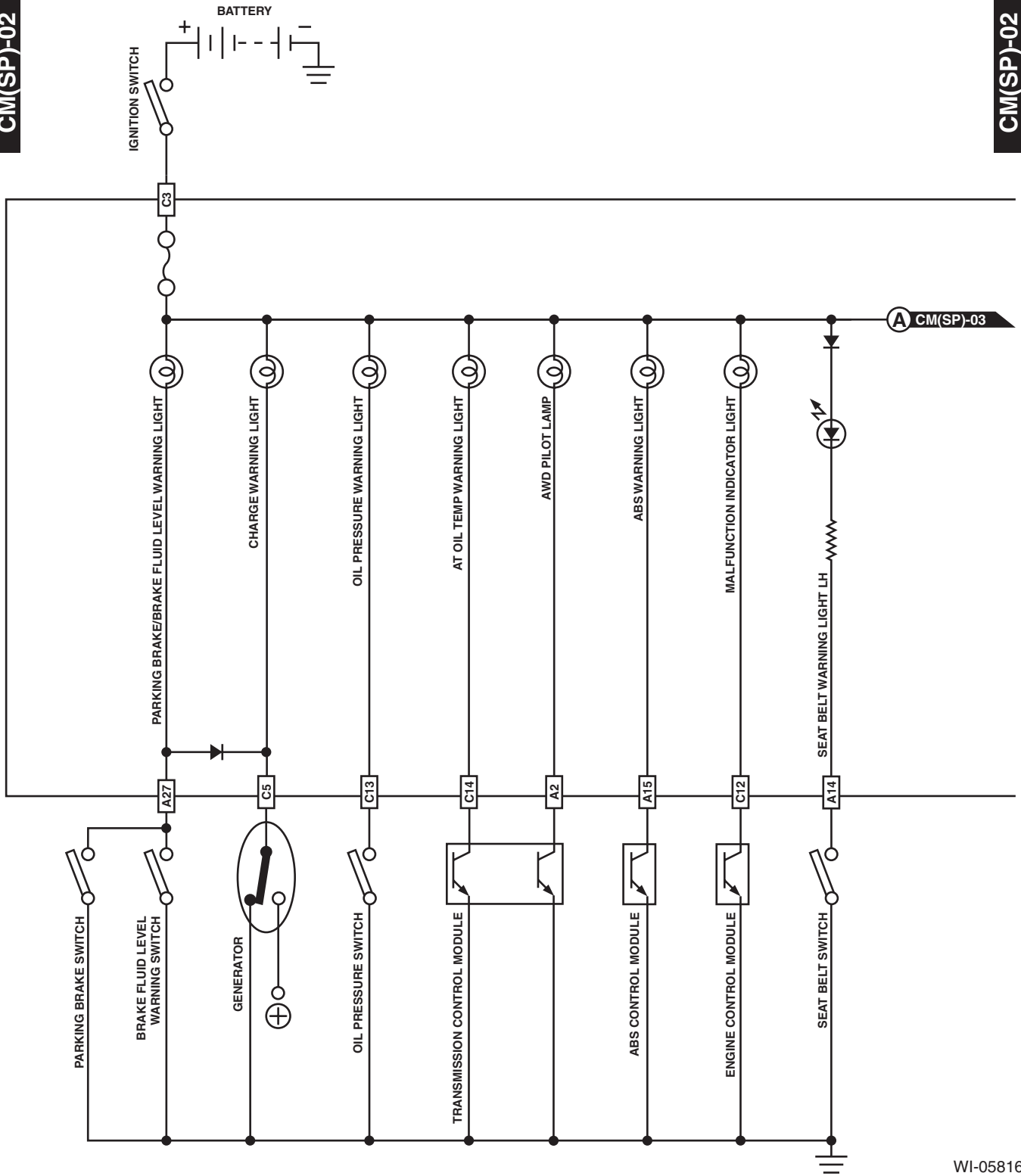
WI-00575

COMBINATION METER

WIRING SYSTEM

CM(SP)-02

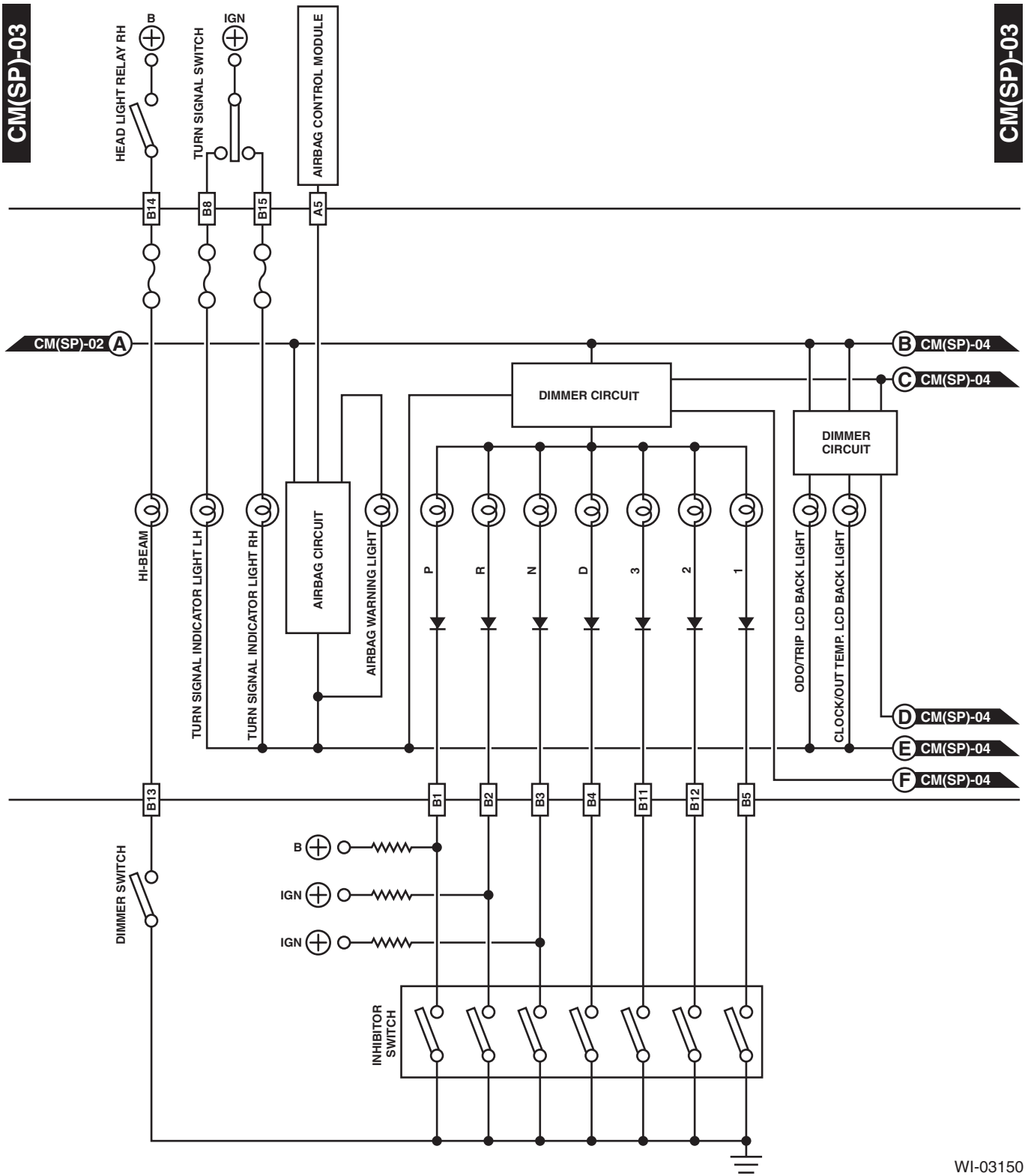
CM(SP)-02



WI-05816

COMBINATION METER

WIRING SYSTEM



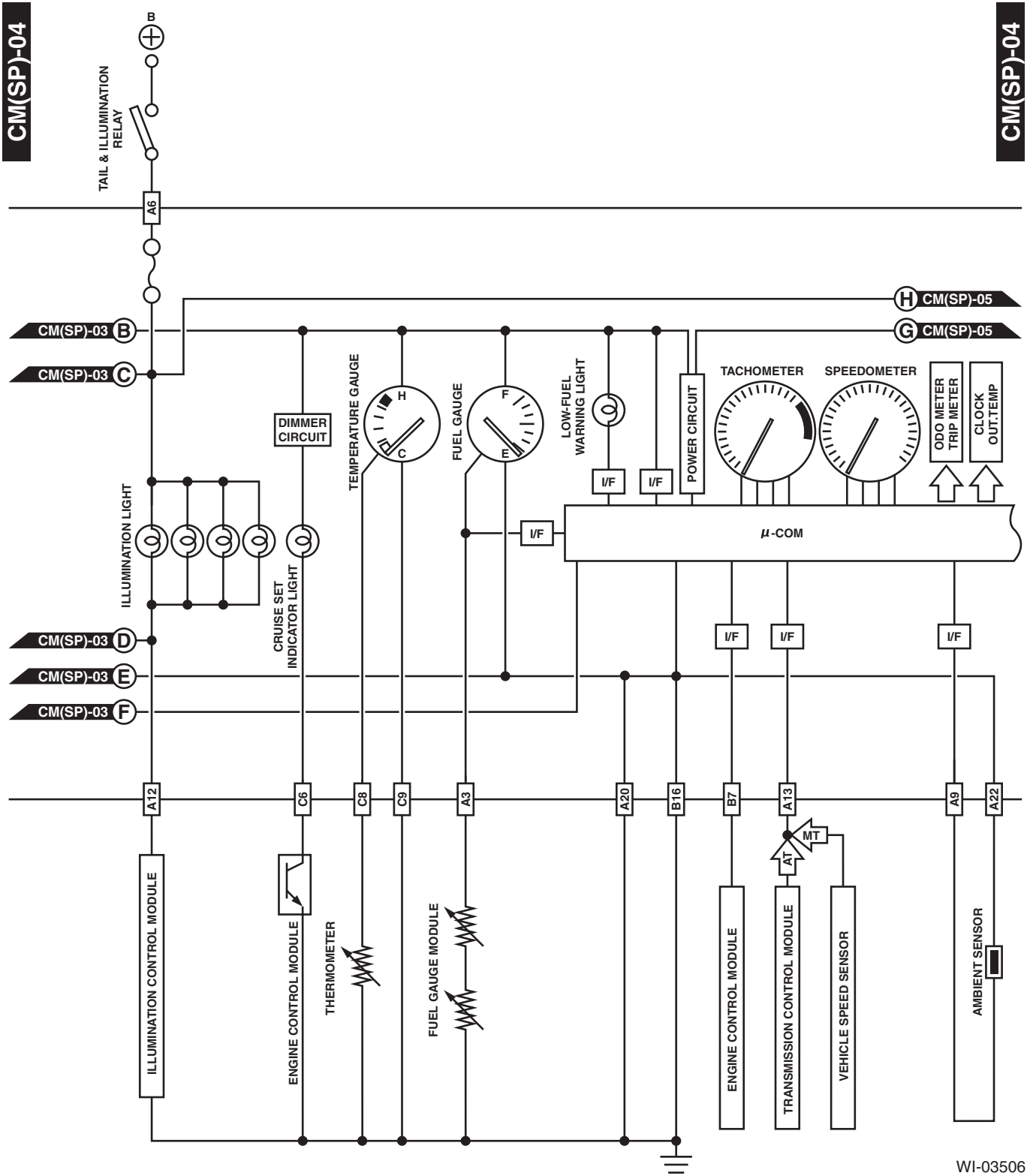
CM(SP)-03

CM(SP)-03

WI-03150

COMBINATION METER

WIRING SYSTEM



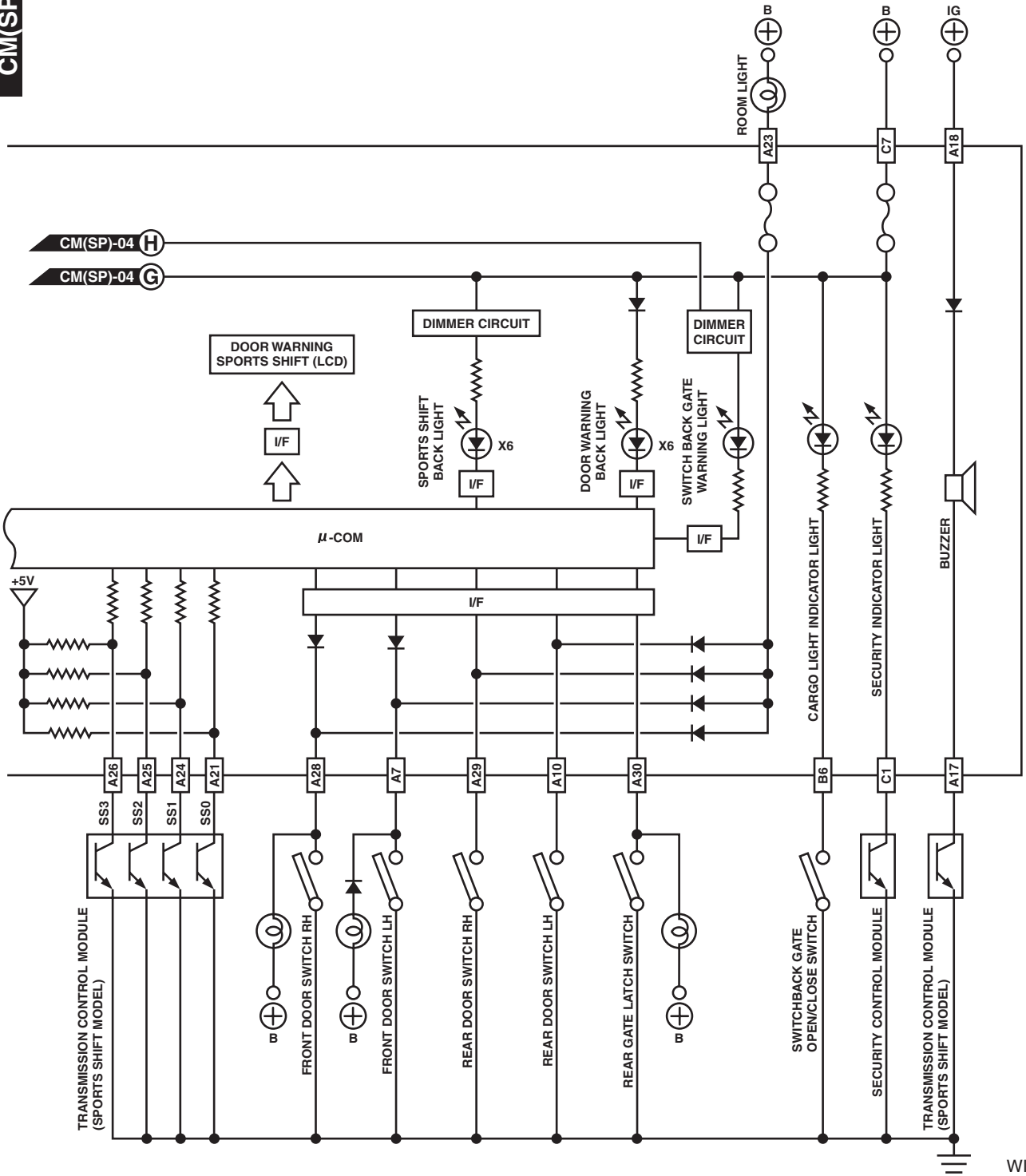
WI-03506

COMBINATION METER

WIRING SYSTEM

CM(SP)-05

CM(SP)-05



WI-03507

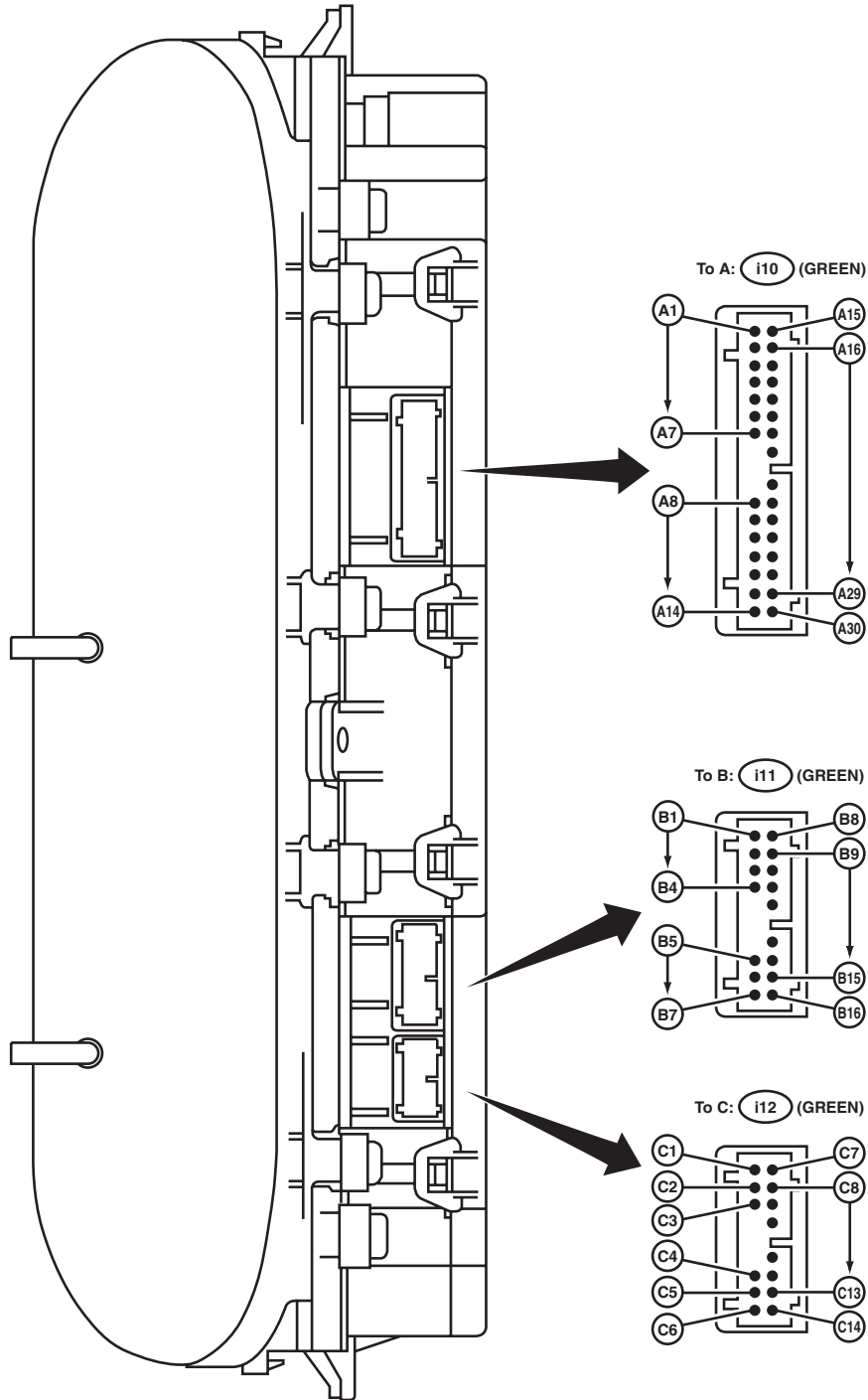
COMBINATION METER

WIRING SYSTEM

2. WITHOUT SPORT SHIFT MODEL

CM(ESP)-01

CM(ESP)-01



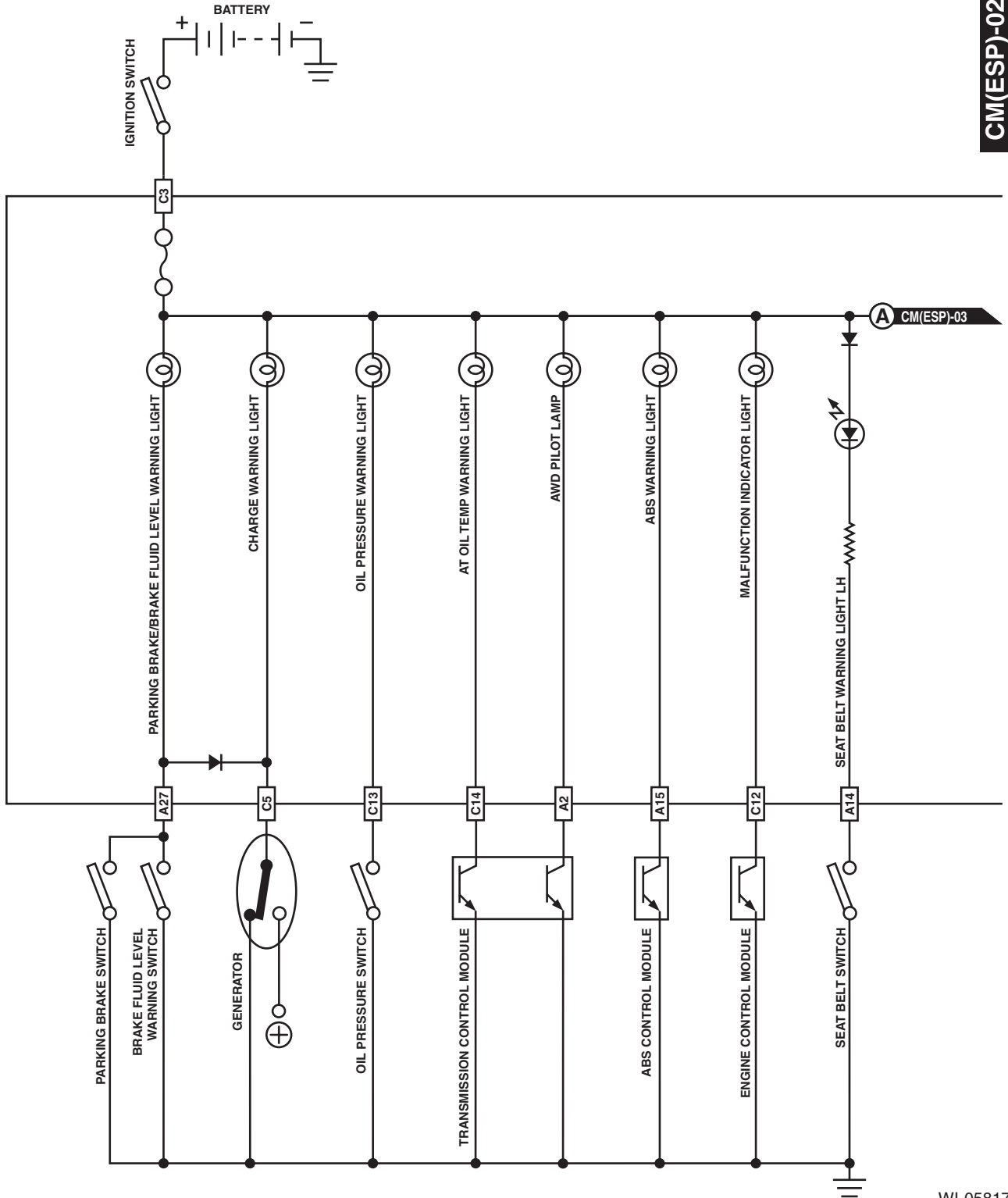
WI-00580

COMBINATION METER

WIRING SYSTEM

CM(ESP)-02

CM(ESP)-02

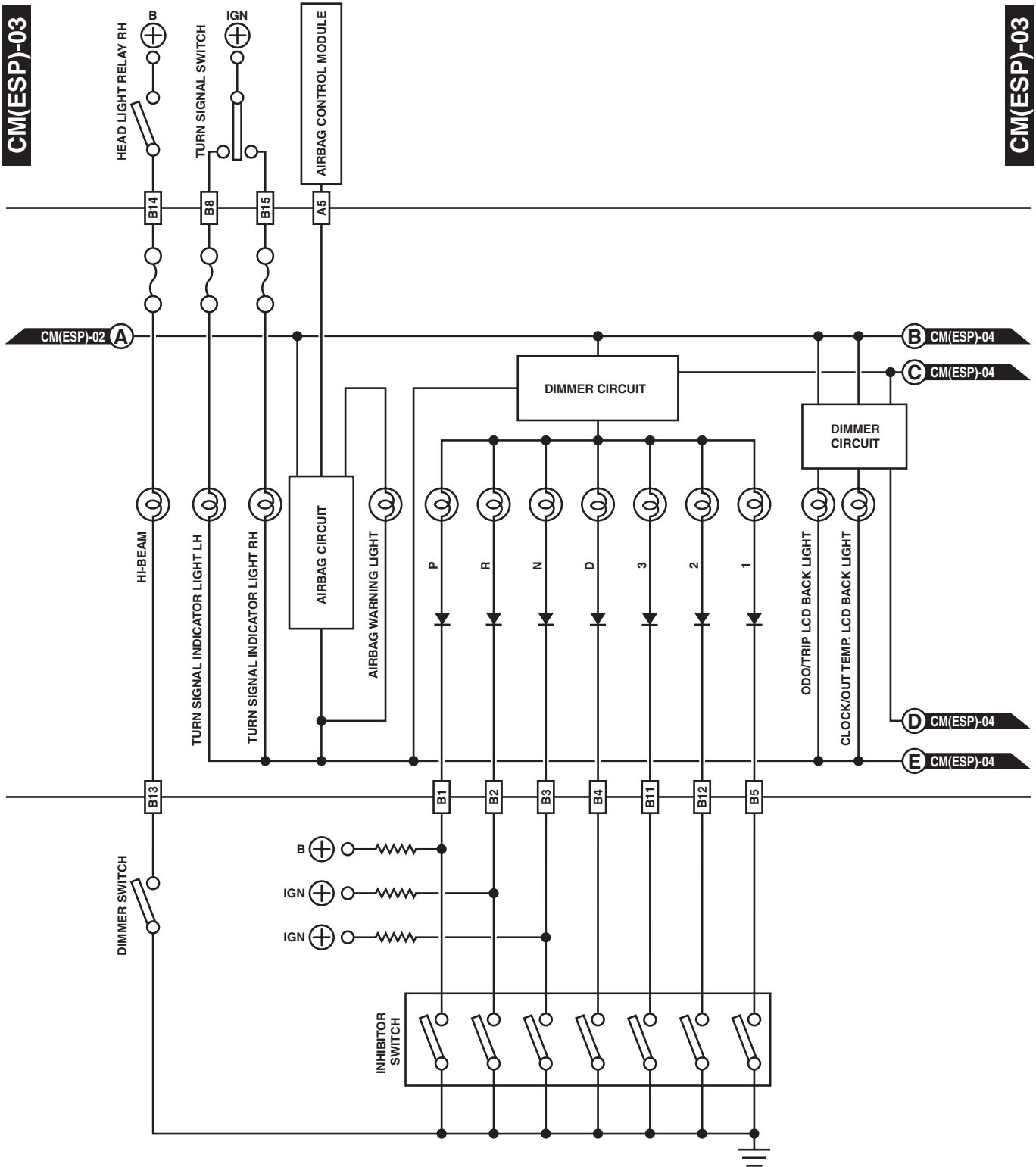


A CM(ESP)-03

WI-05817

COMBINATION METER

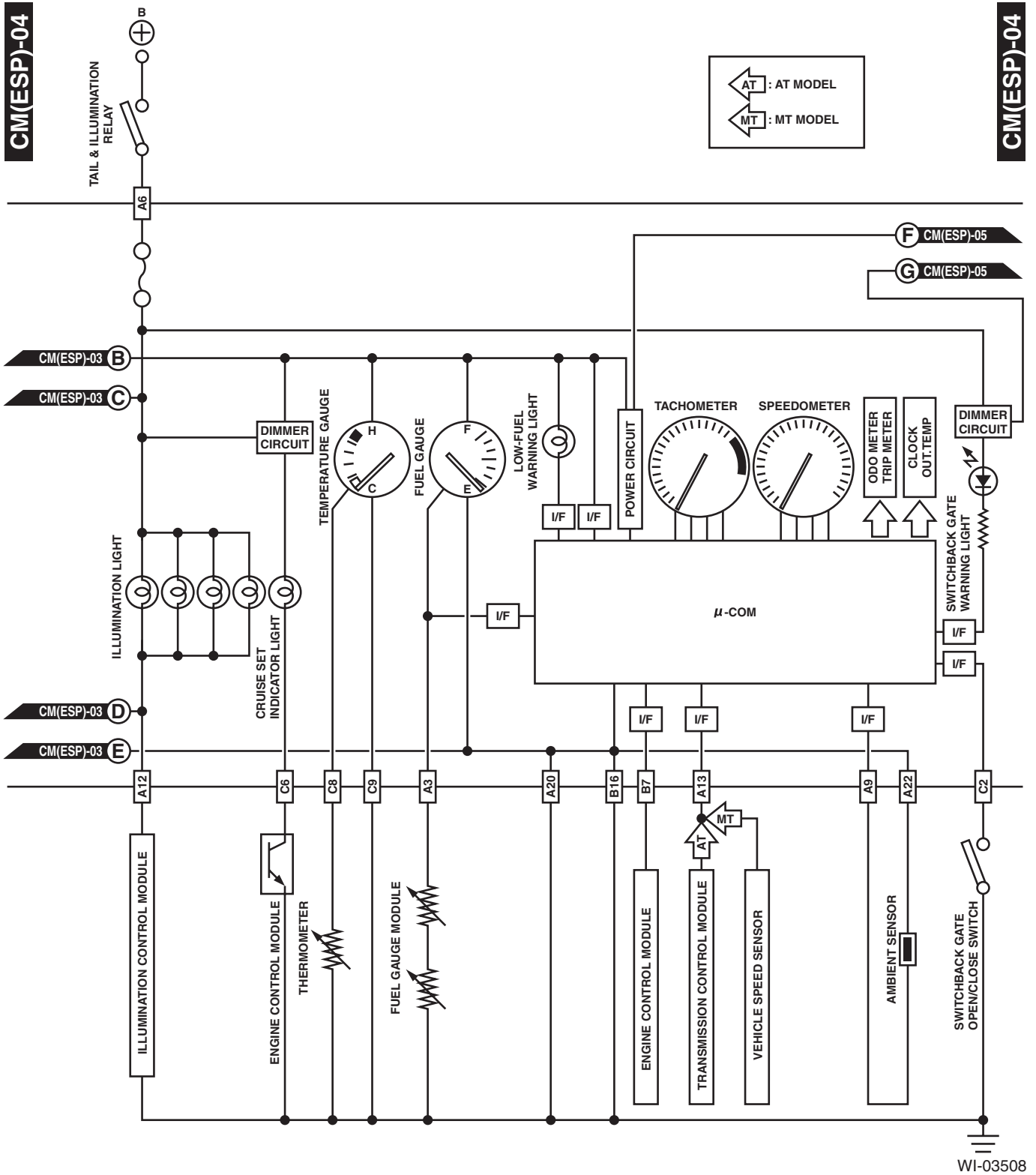
WIRING SYSTEM



WI-03152

COMBINATION METER

WIRING SYSTEM

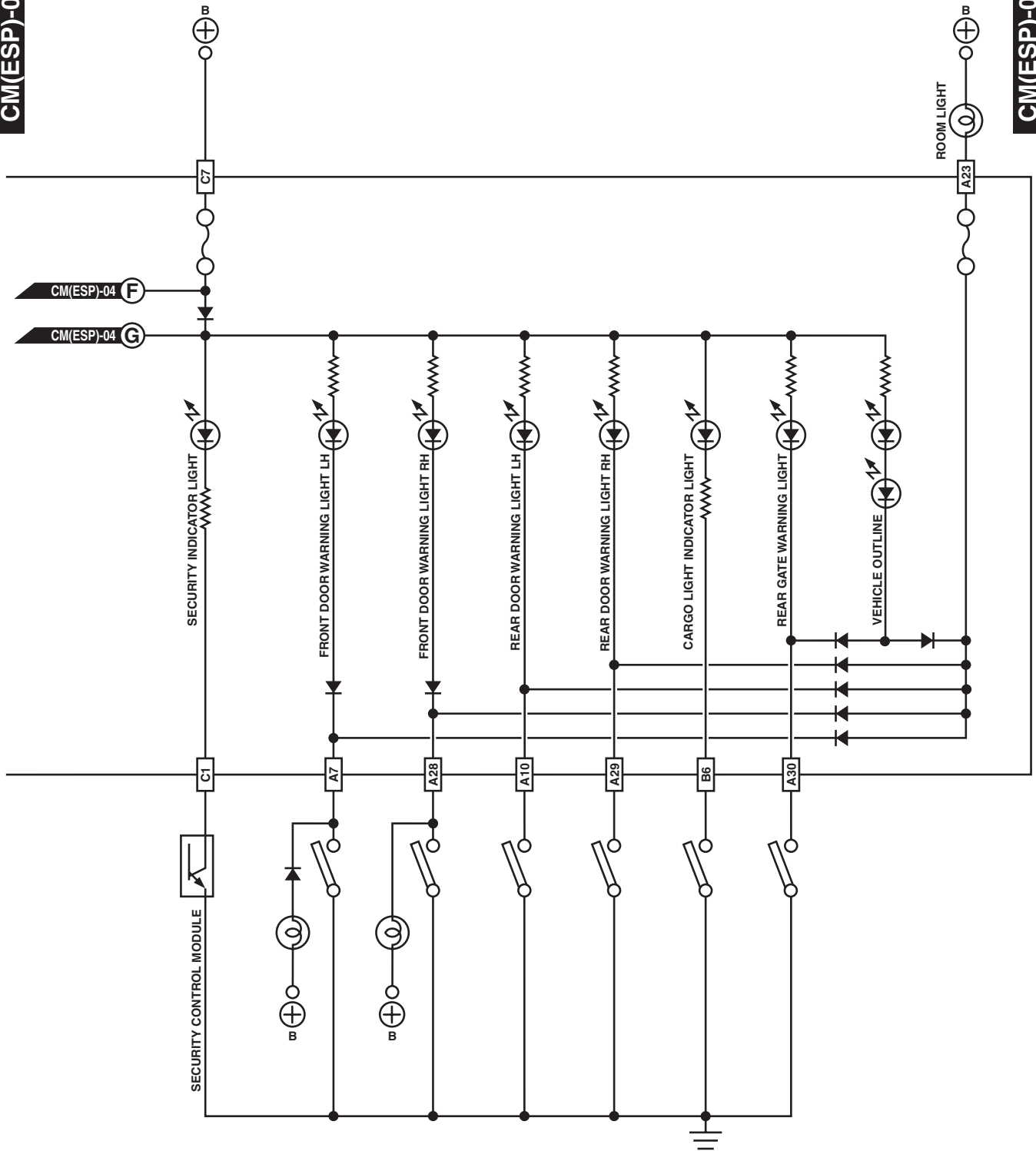


COMBINATION METER

WIRING SYSTEM

CM(ESP)-05

CM(ESP)-05



WI-03153