

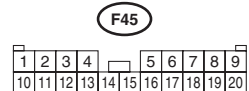
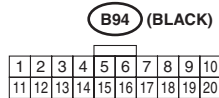
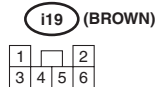
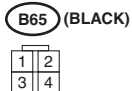
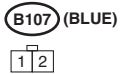
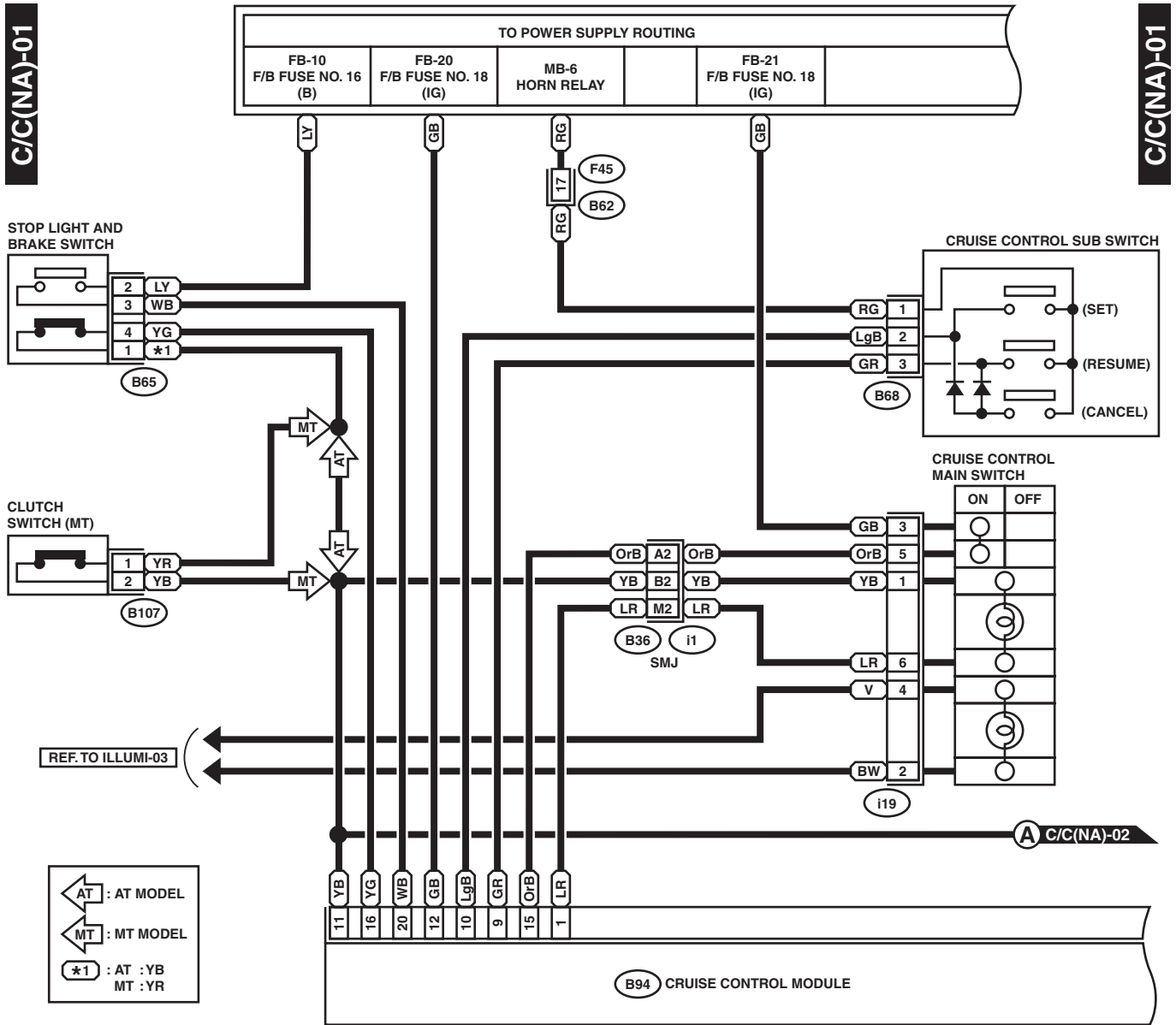
CRUISE CONTROL SYSTEM

WIRING SYSTEM

14. Cruise Control System

A: SCHEMATIC

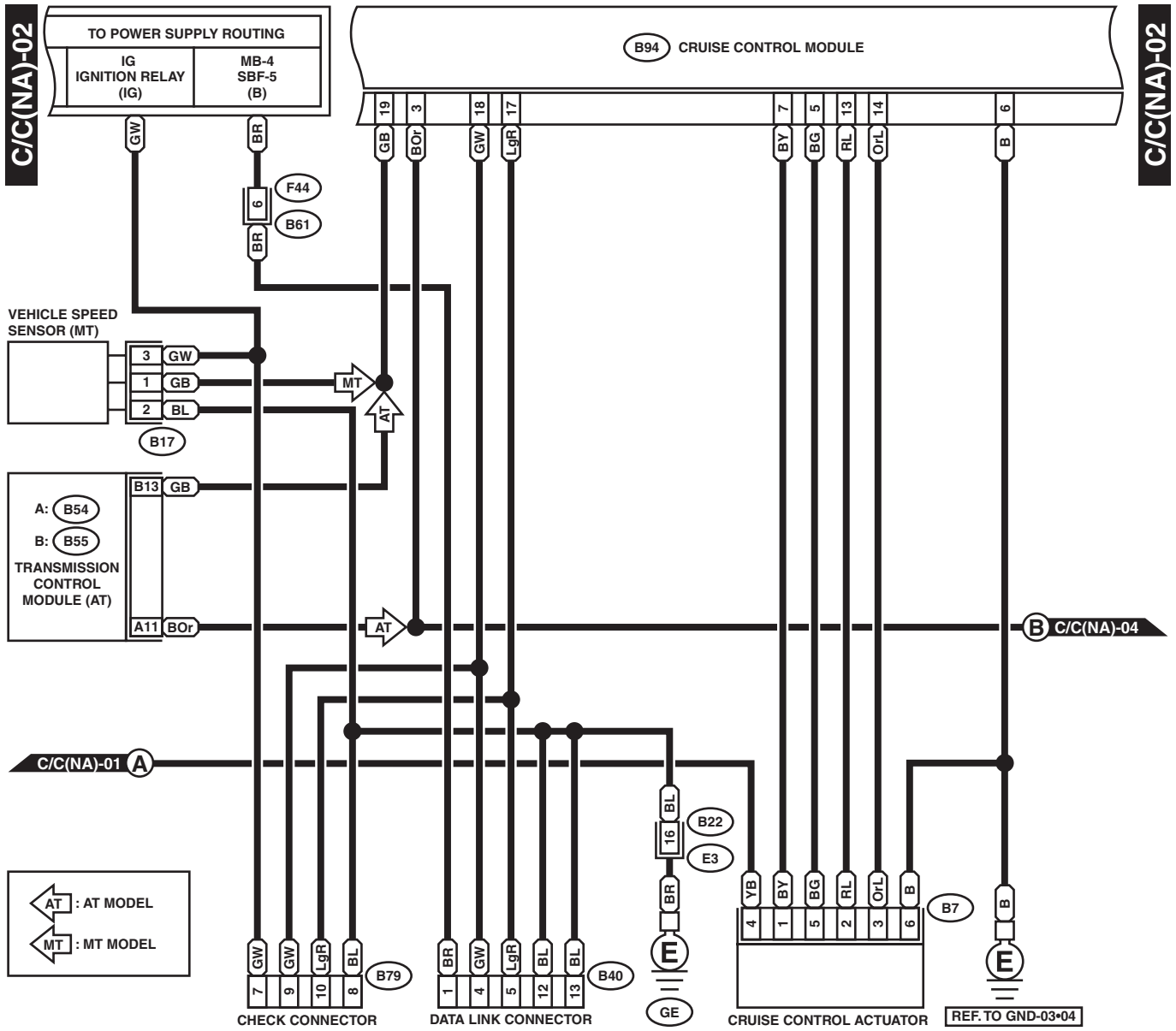
1. NON-TURBO ENGINE MODEL



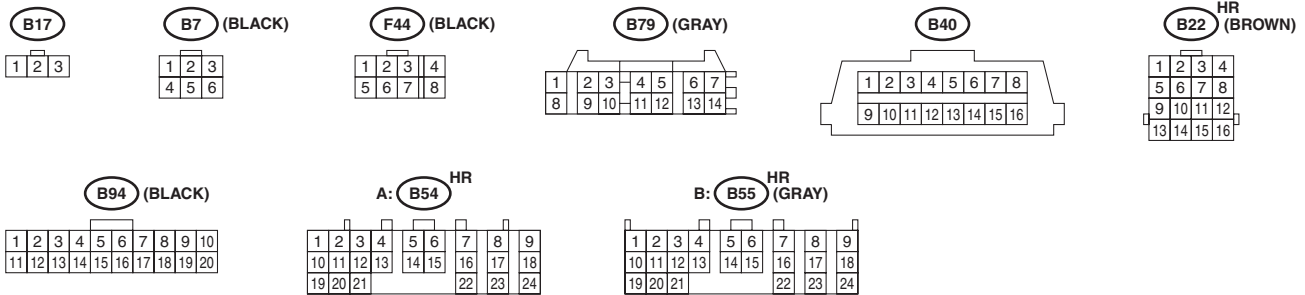
WI-05724

CRUISE CONTROL SYSTEM

WIRING SYSTEM



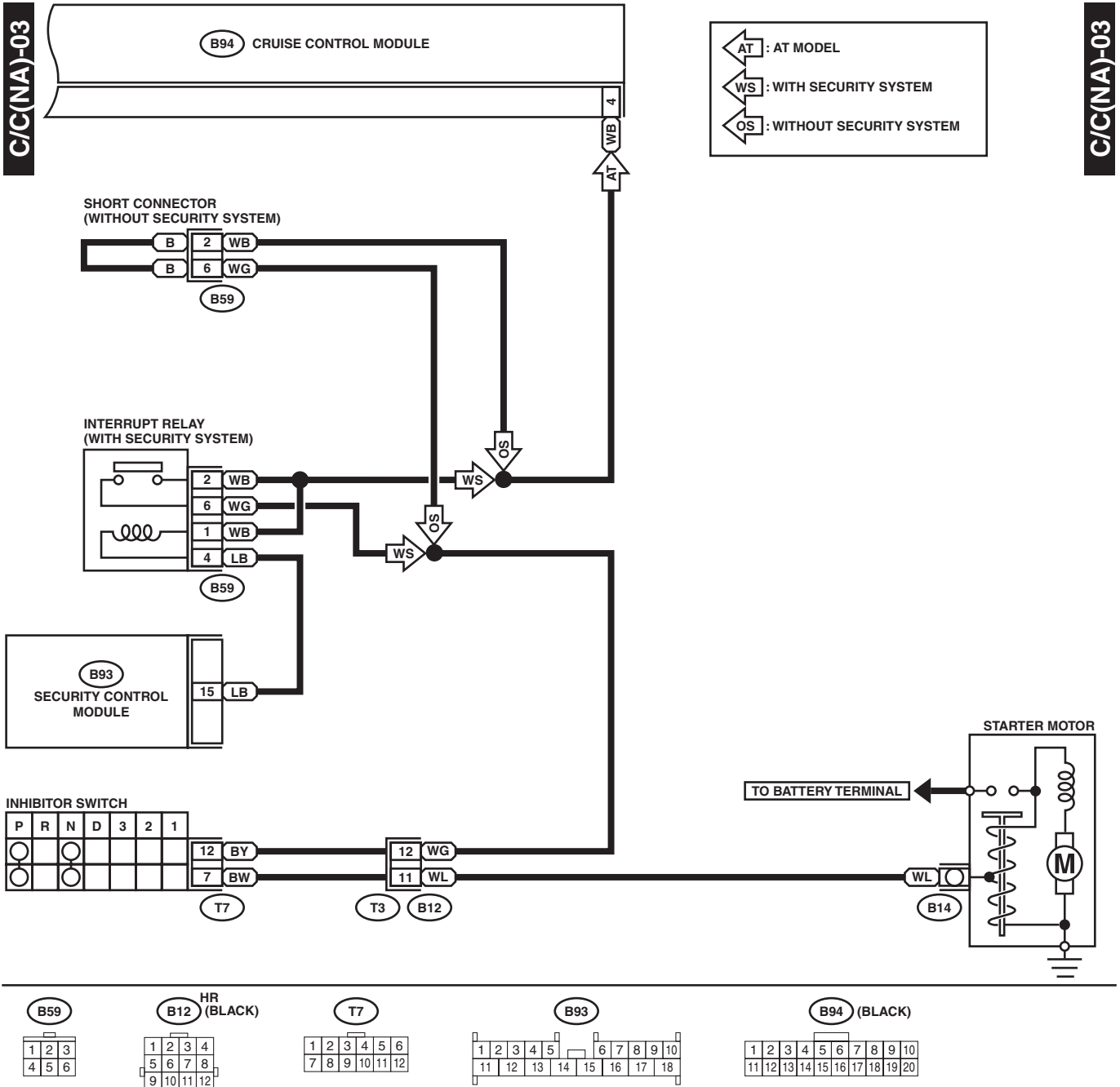
← AT : AT MODEL
 ← MT : MT MODEL



WI-06776

CRUISE CONTROL SYSTEM

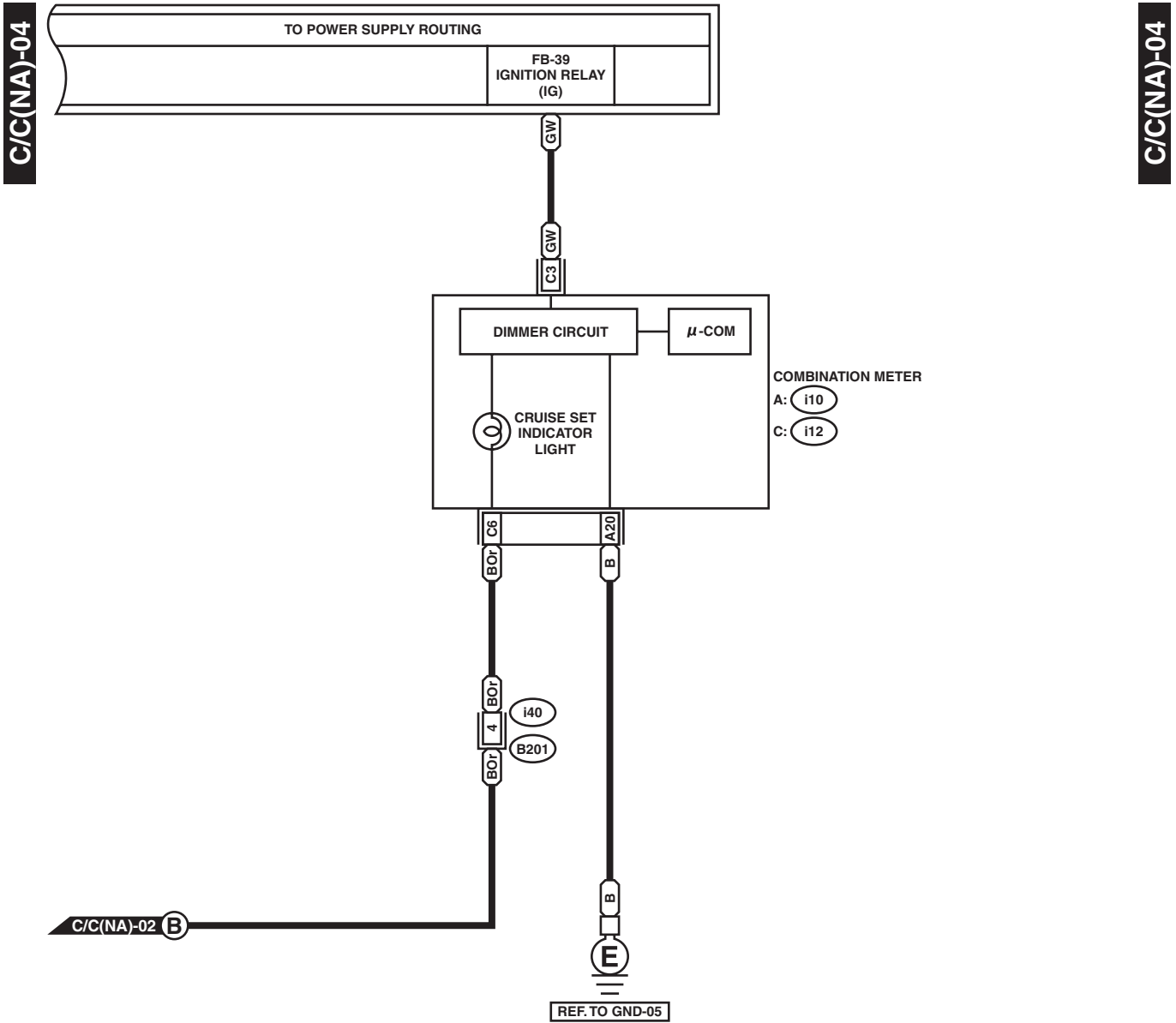
WIRING SYSTEM



WI-06777

CRUISE CONTROL SYSTEM

WIRING SYSTEM



C: i12

1	2	3	4	5	6
7	8	9	10	11	12
13	14				

i40

1	2	3	4	5	6	7	8	9	10
11	12	13	14	15	16	17	18	19	20
21	22								

A: i10 (GREEN)

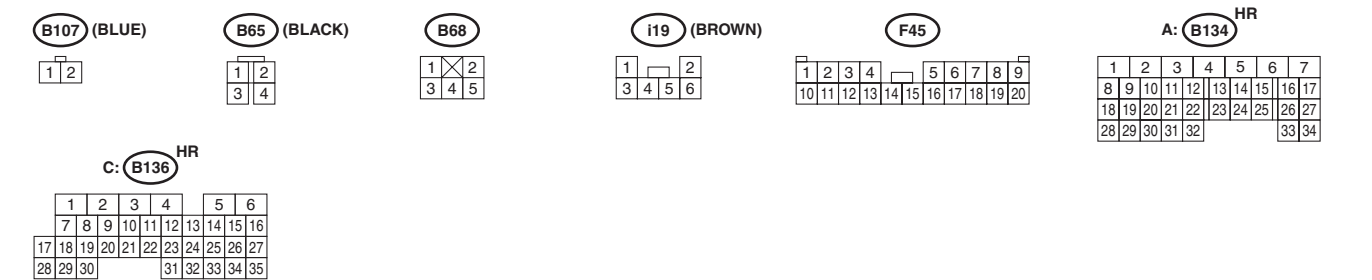
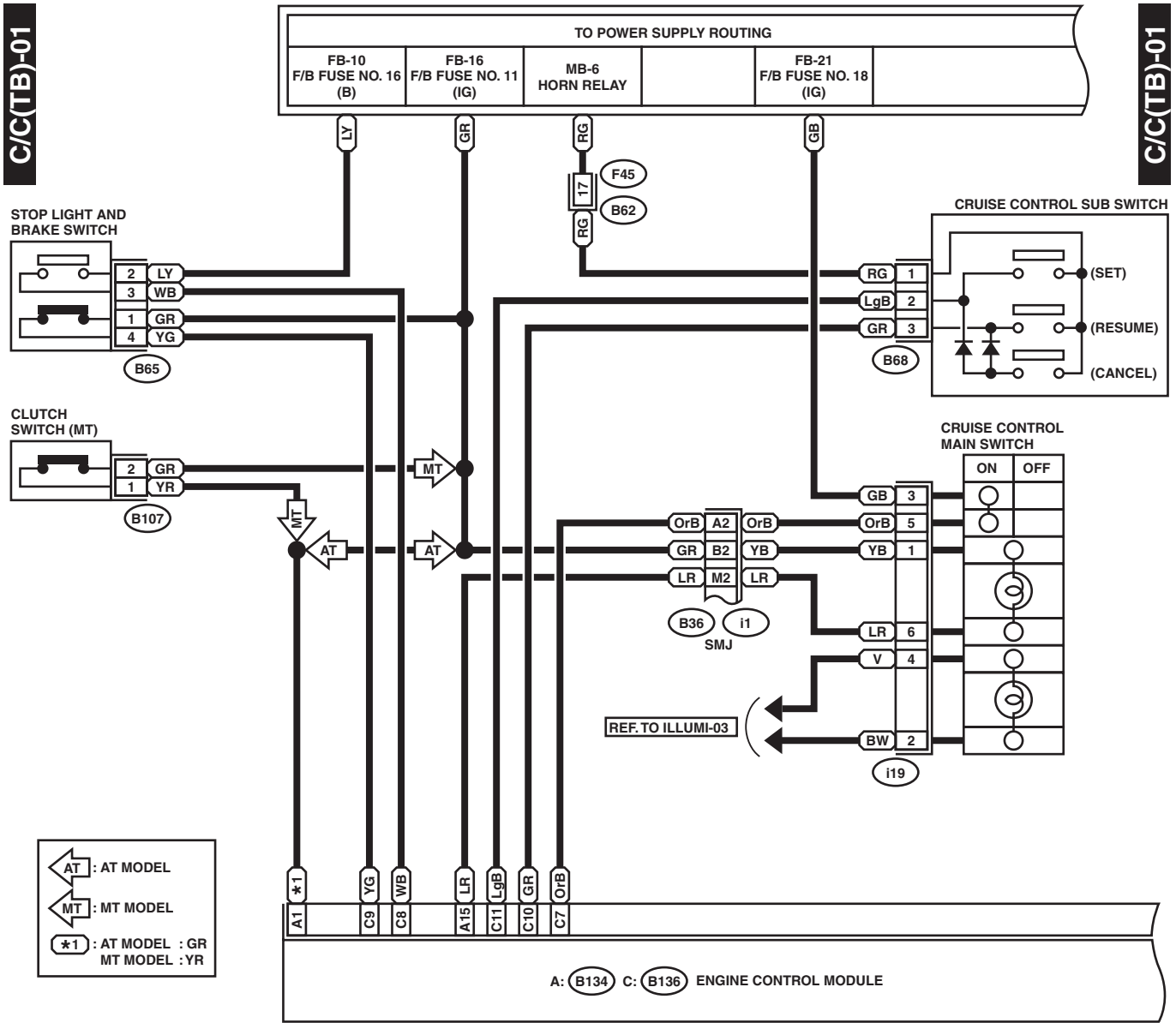
1	2	3	4	5	6	7	8	9	10	11	12	13	14
15	16	17	18	19	20	21	22	23	24	25	26	27	28
29	30												

WI-05819

CRUISE CONTROL SYSTEM

WIRING SYSTEM

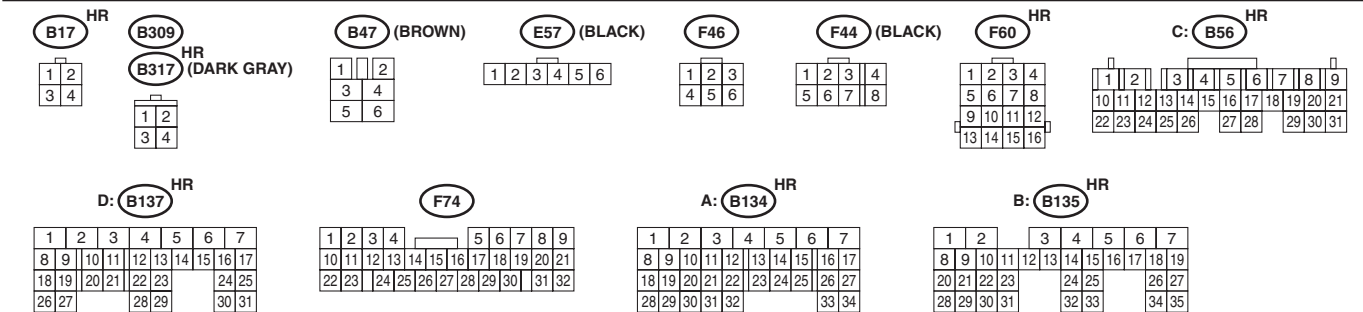
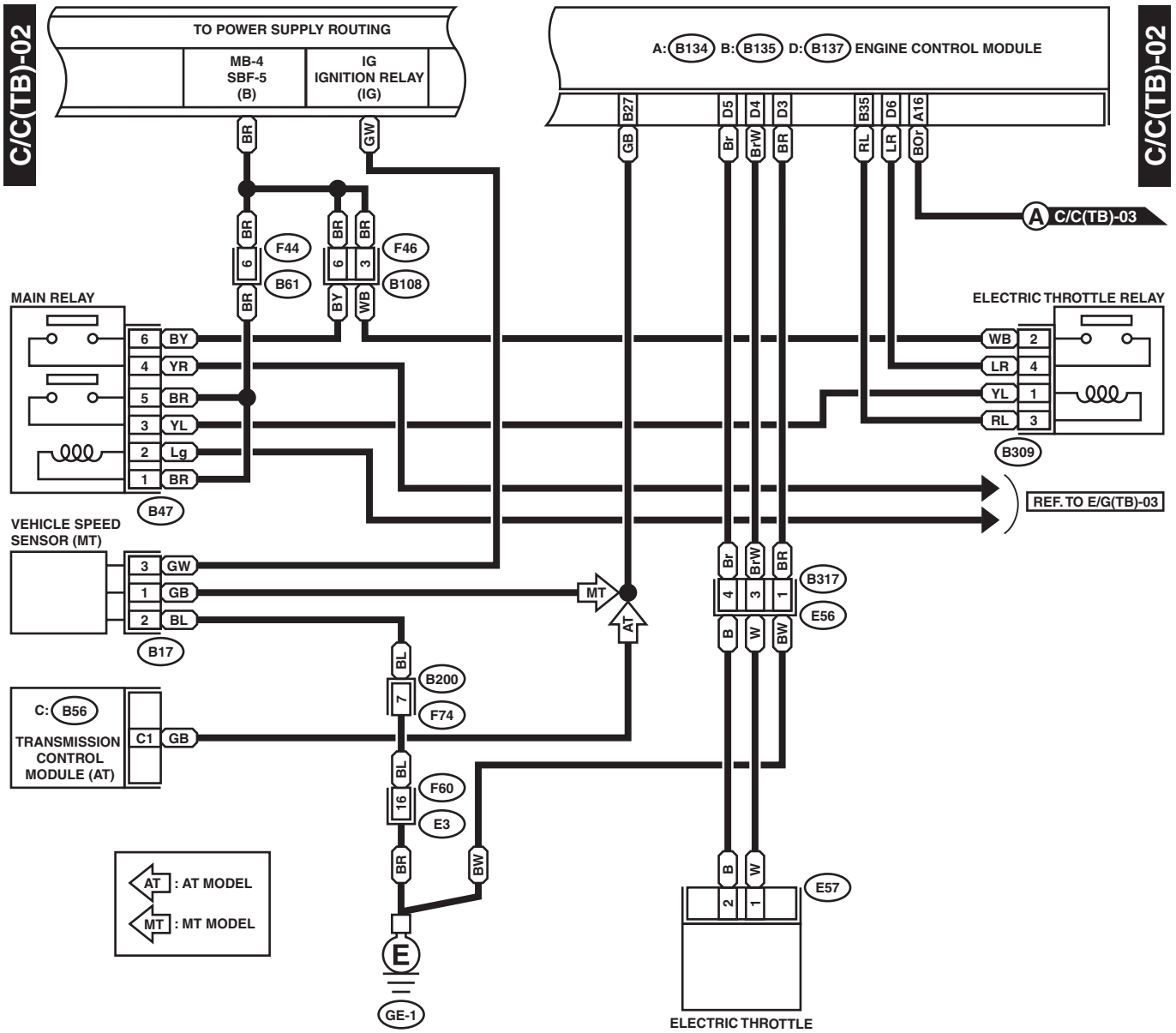
2. TURBO ENGINE MODEL



WI-06778

CRUISE CONTROL SYSTEM

WIRING SYSTEM



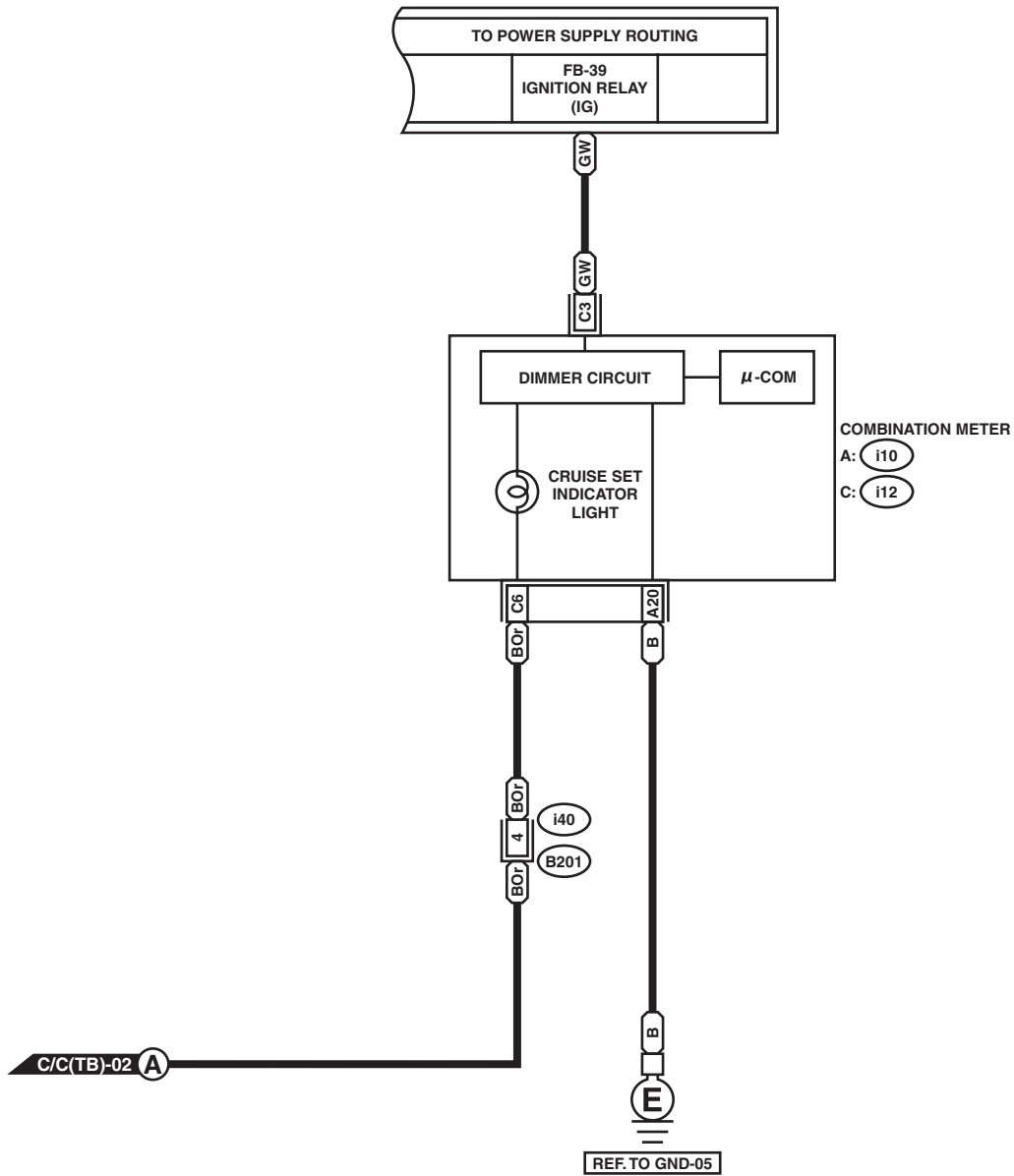
WI-06779

CRUISE CONTROL SYSTEM

WIRING SYSTEM

C/C(TB)-03

C/C(TB)-03



C: i12 (GREEN)

1	2	3	4	5	6
7	8	9	10	11	12
13	14				

i40

1	2	3	4	5	6	7	8	9	10
11	12	13	14	15	16	17	18	19	20
21	22								

A: i10 (GREEN)

1	2	3	4	5	6	7	8	9	10	11	12	13	14
15	16	17	18	19	20	21	22	23	24	25	26	27	28
29	30												

WI-05821

MEMO: