

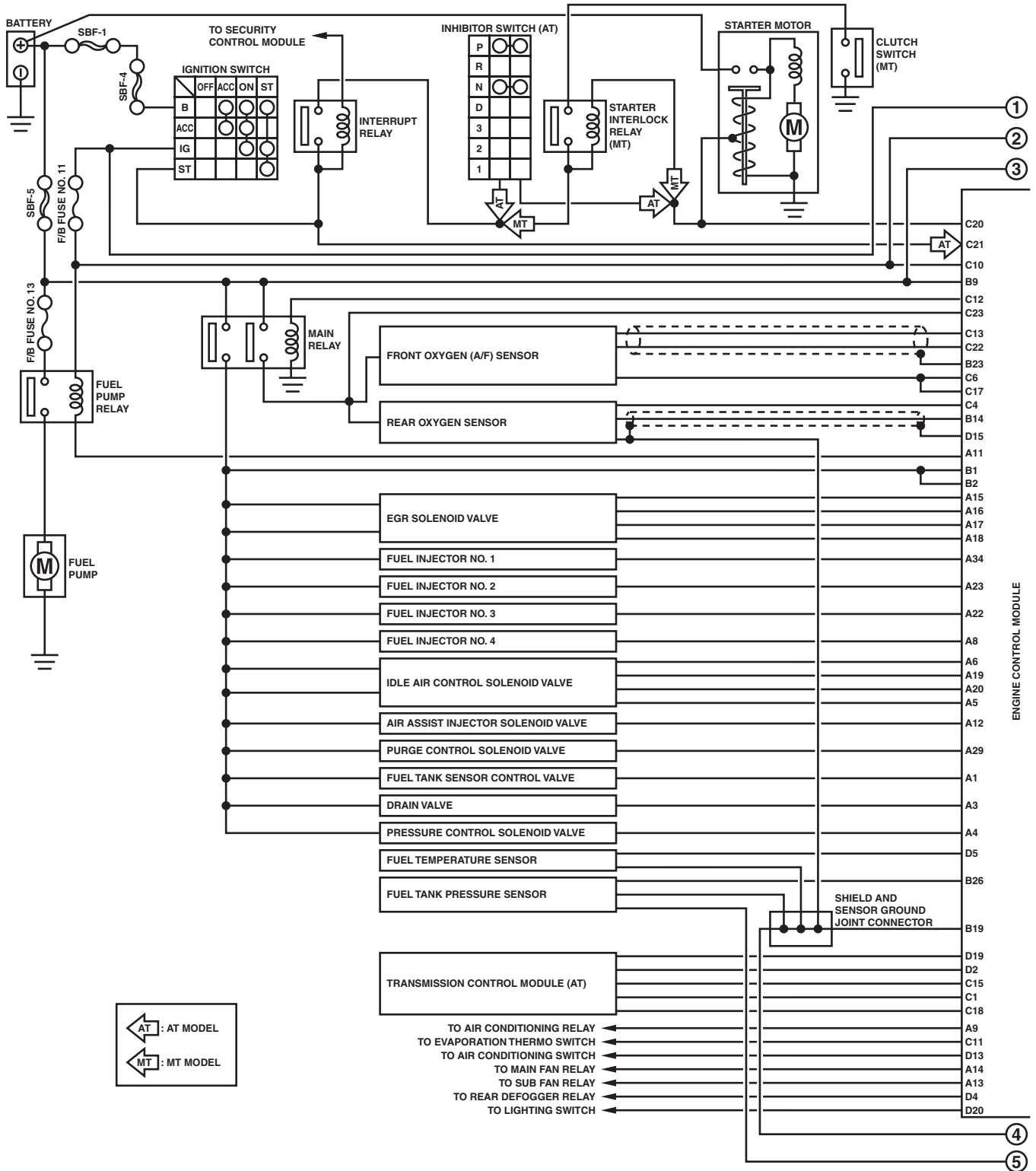
ENGINE ELECTRICAL SYSTEM

WIRING SYSTEM

17.Engine Electrical System

A: SCHEMATIC

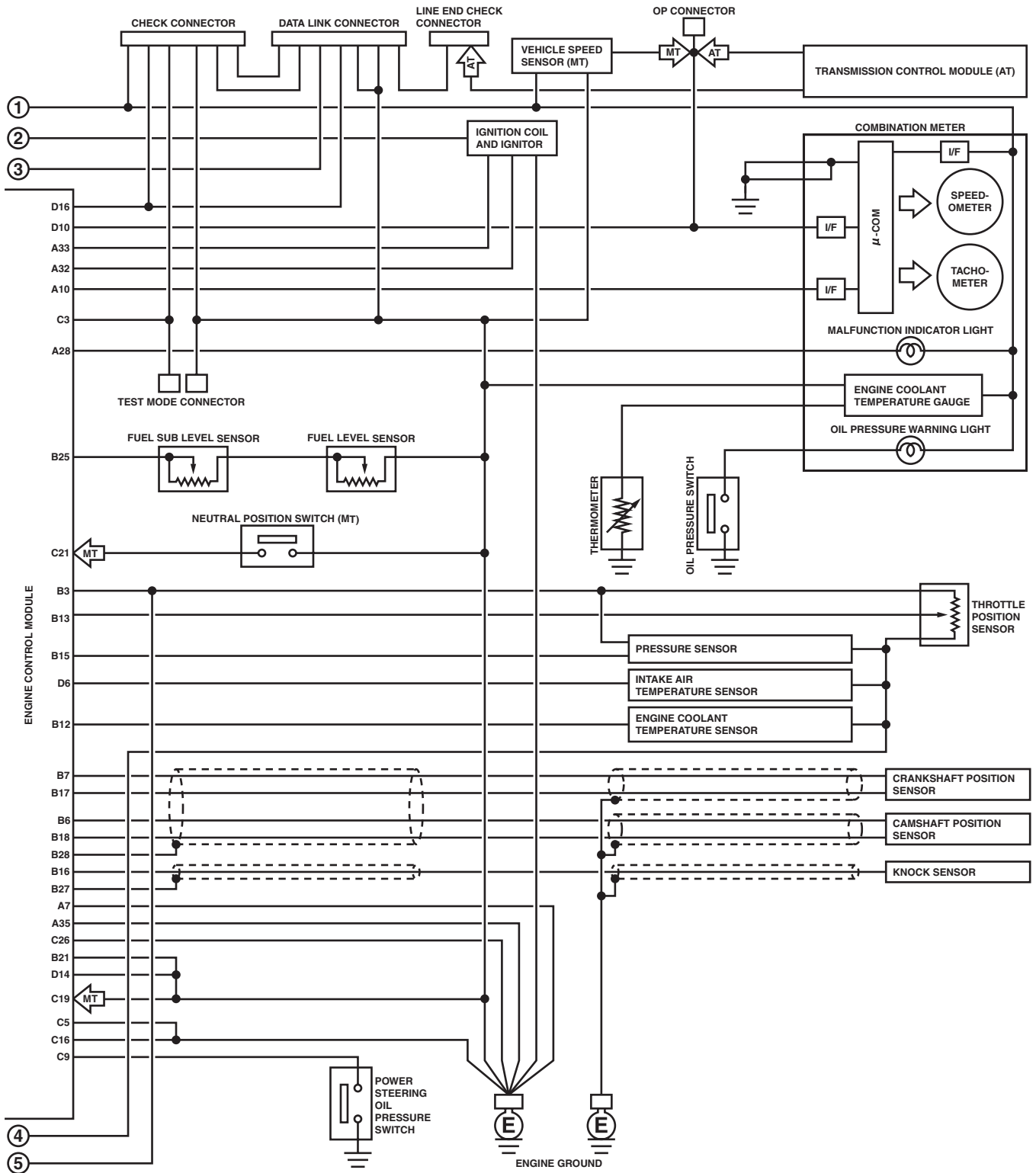
1. NON-TURBO ENGINE MODEL



WI-05824

ENGINE ELECTRICAL SYSTEM

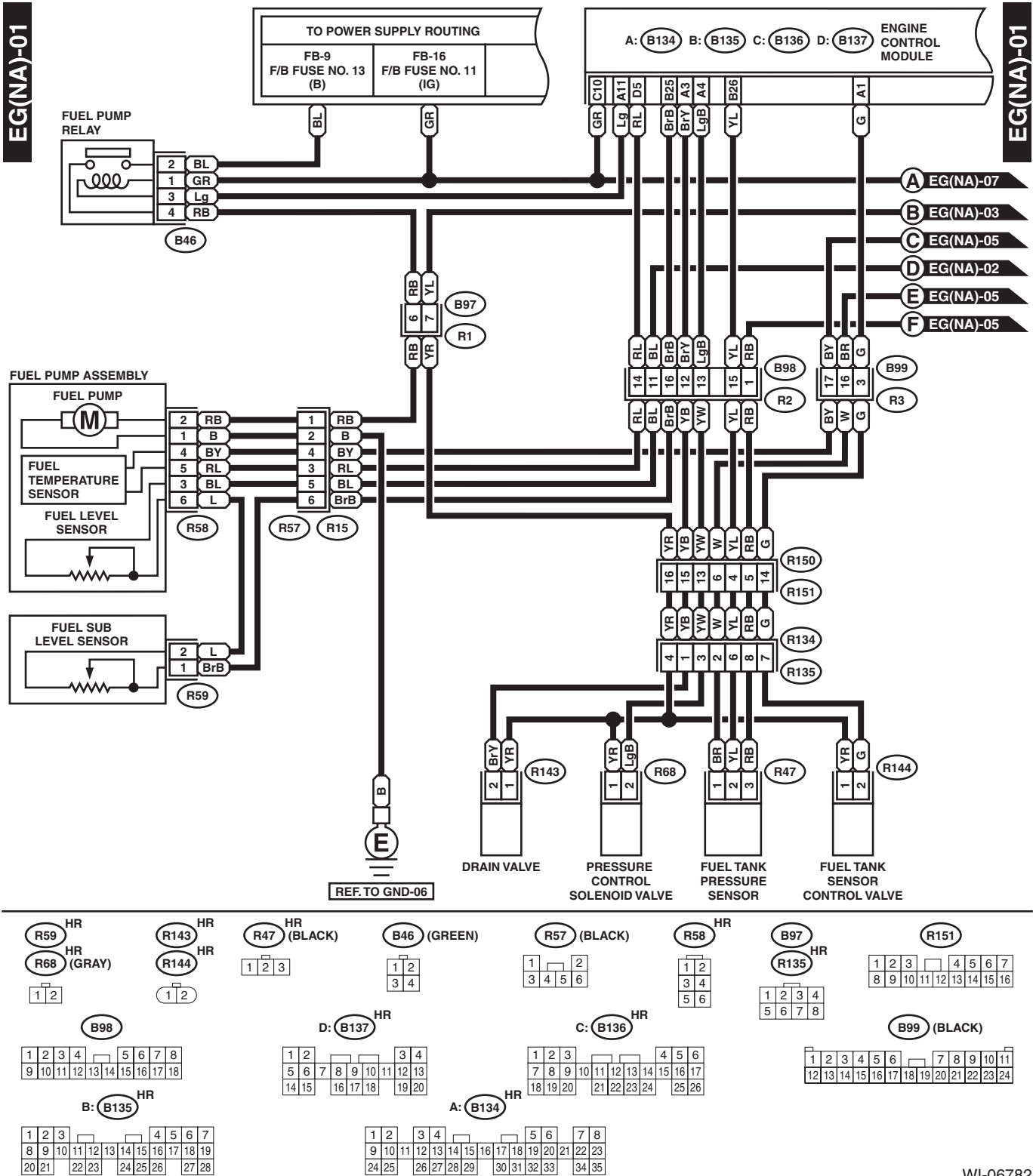
WIRING SYSTEM



WI-03519

ENGINE ELECTRICAL SYSTEM

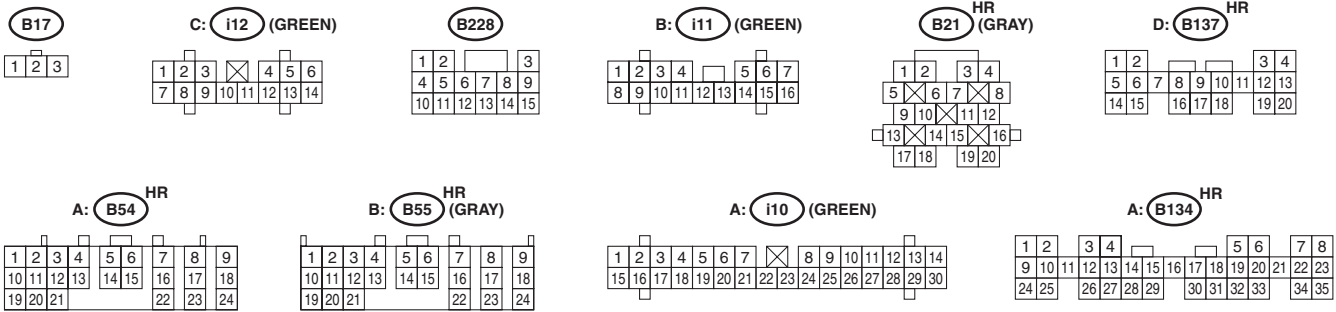
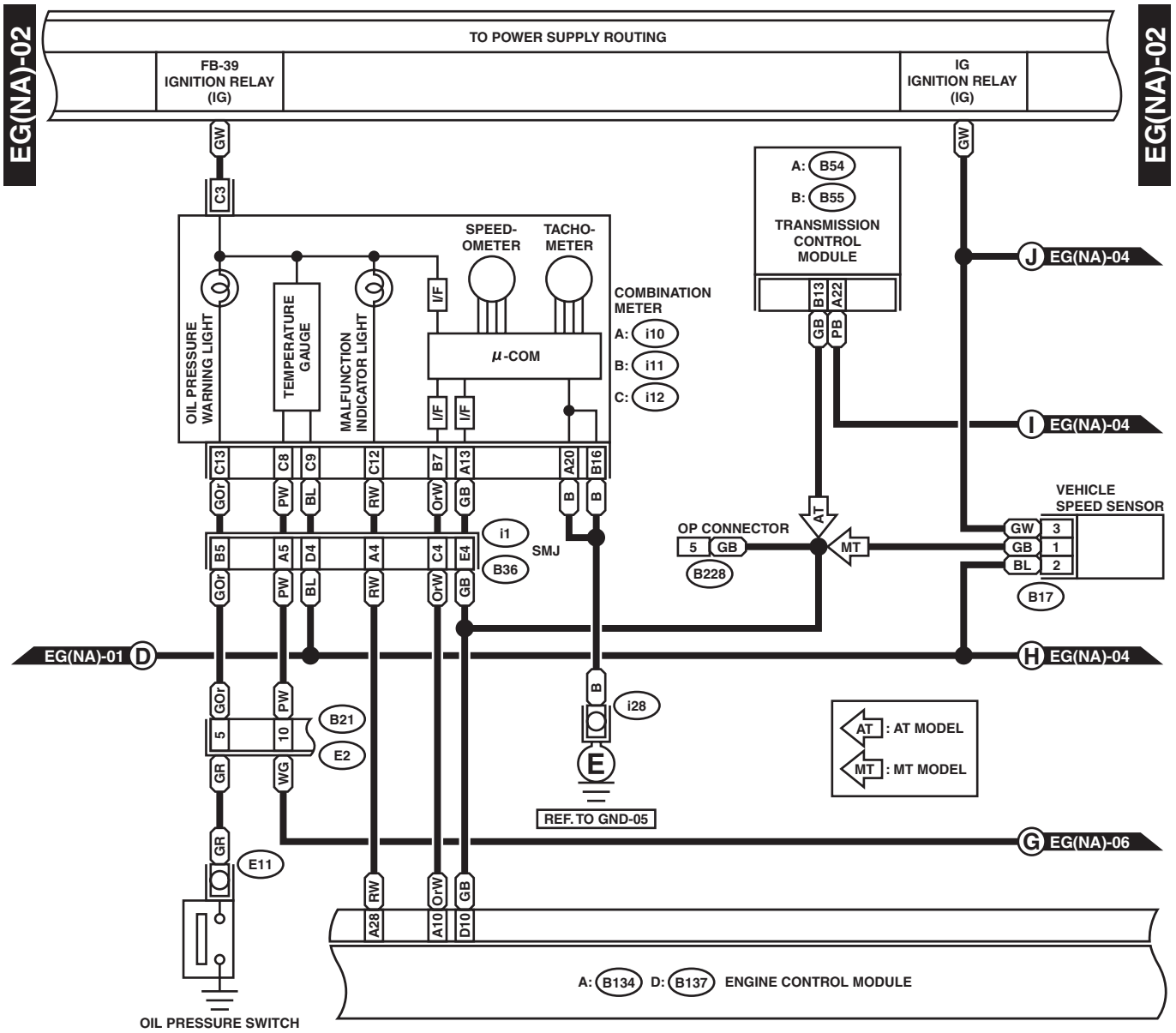
WIRING SYSTEM



WI-06782

ENGINE ELECTRICAL SYSTEM

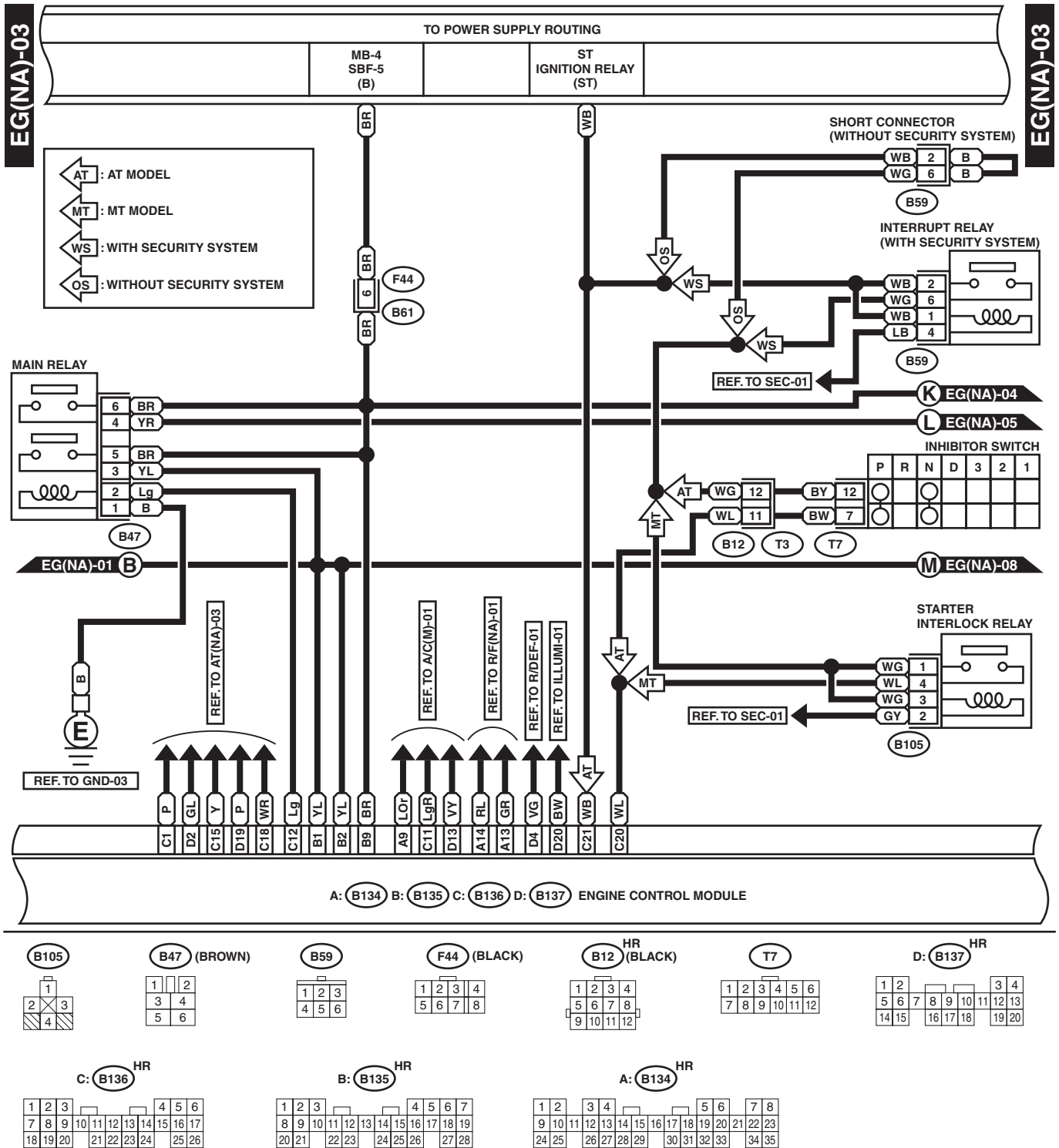
WIRING SYSTEM



WI-06783

ENGINE ELECTRICAL SYSTEM

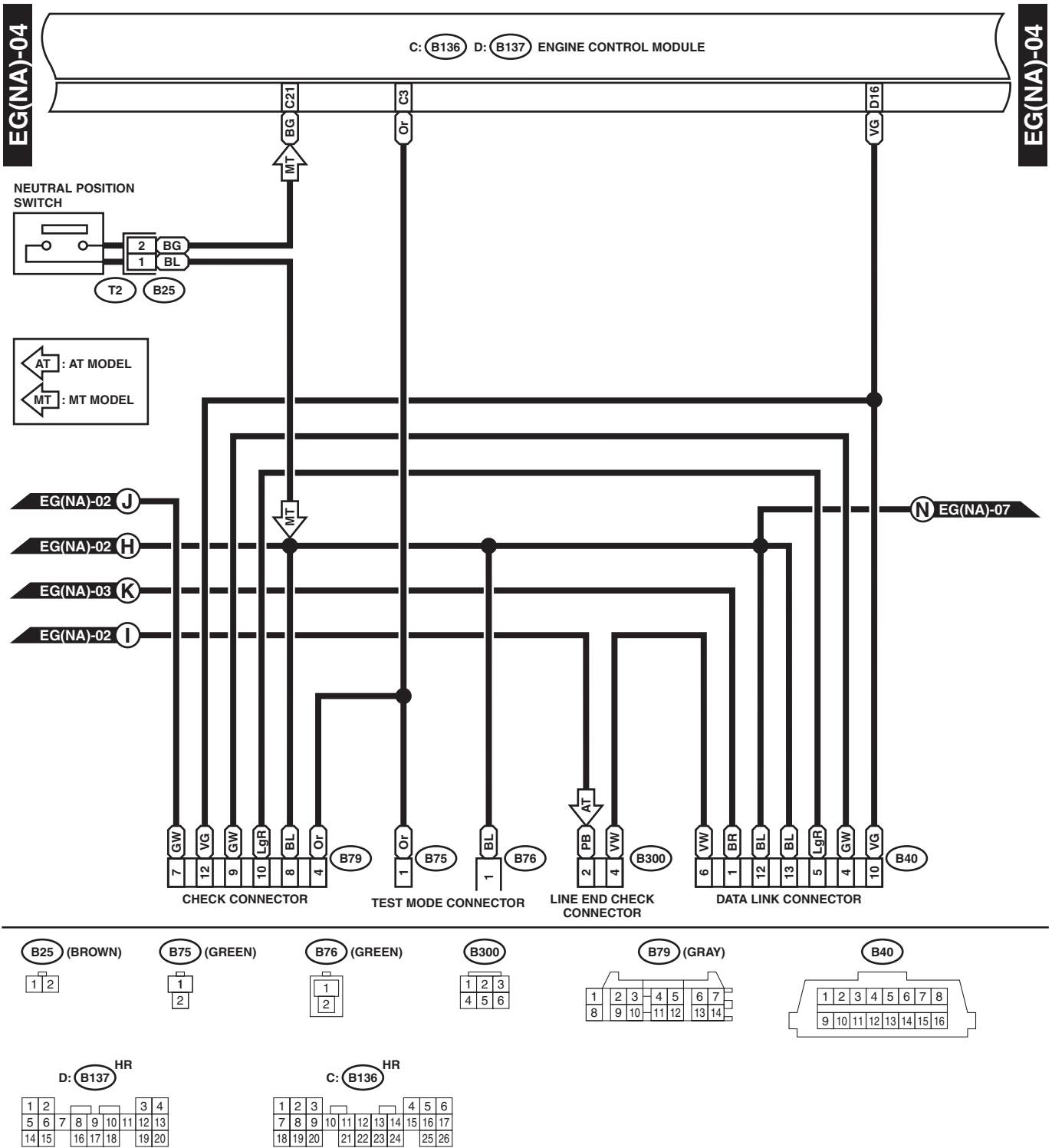
WIRING SYSTEM



WI-06784

ENGINE ELECTRICAL SYSTEM

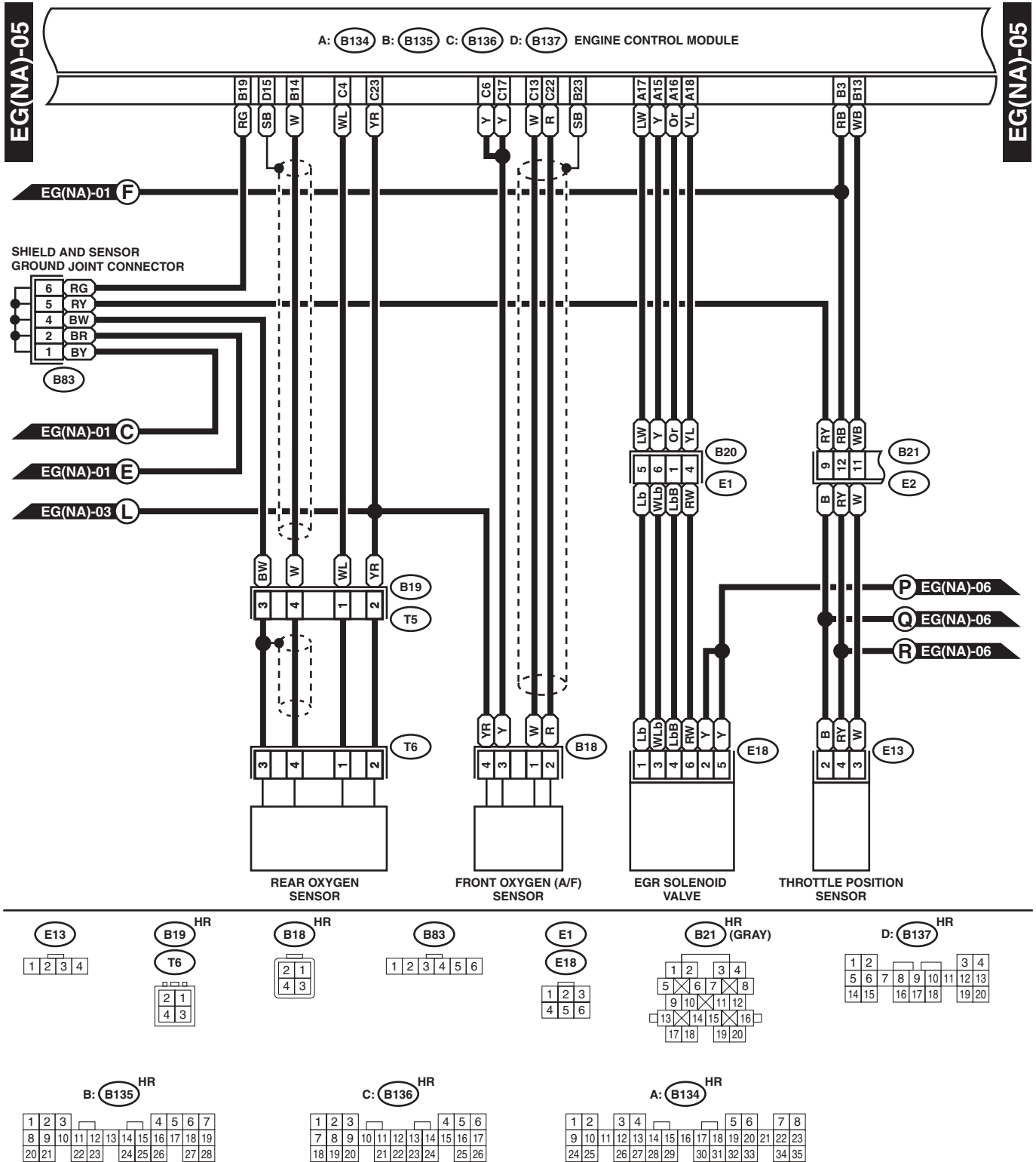
WIRING SYSTEM



WI-06785

ENGINE ELECTRICAL SYSTEM

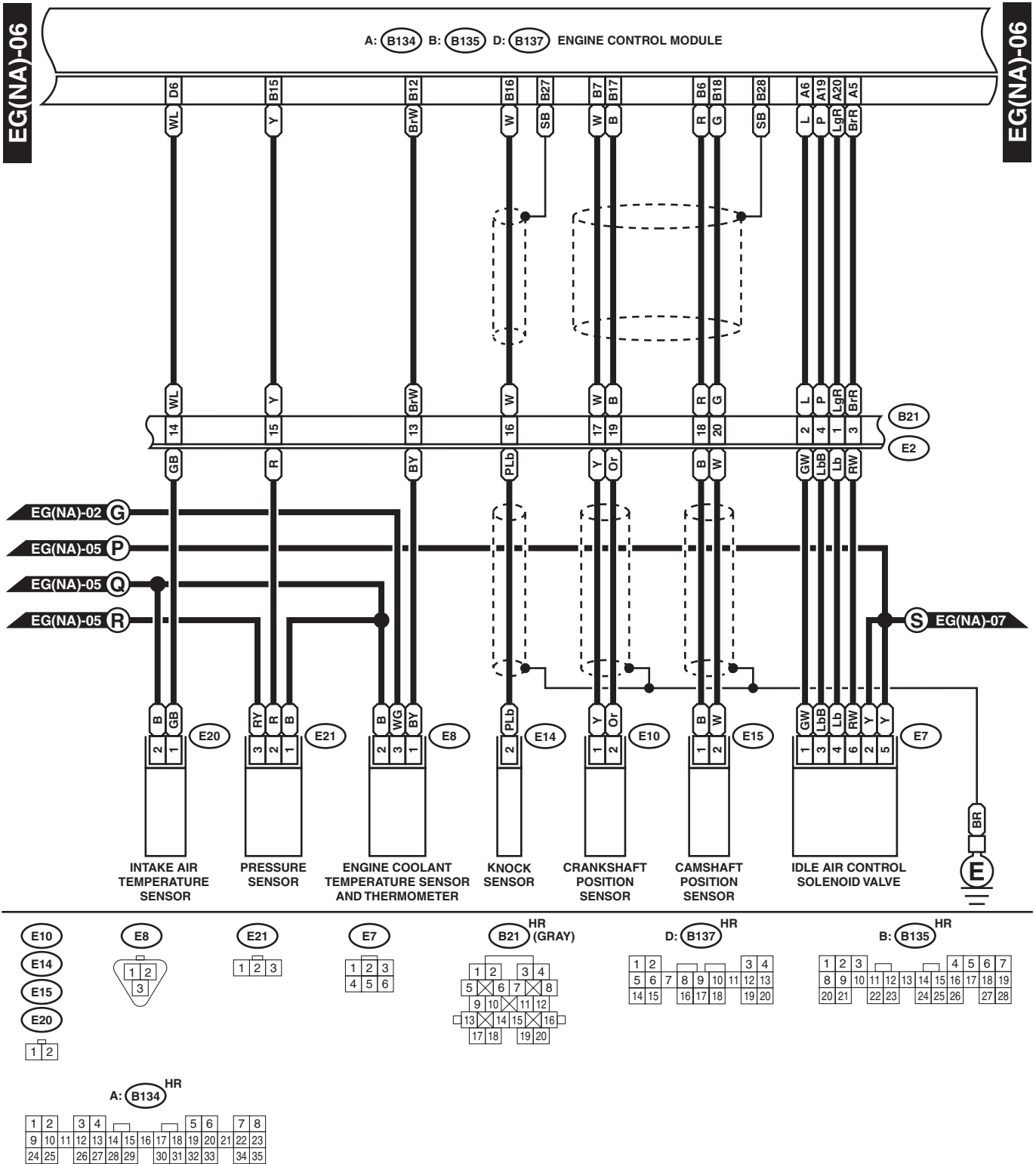
WIRING SYSTEM



WI-06786

ENGINE ELECTRICAL SYSTEM

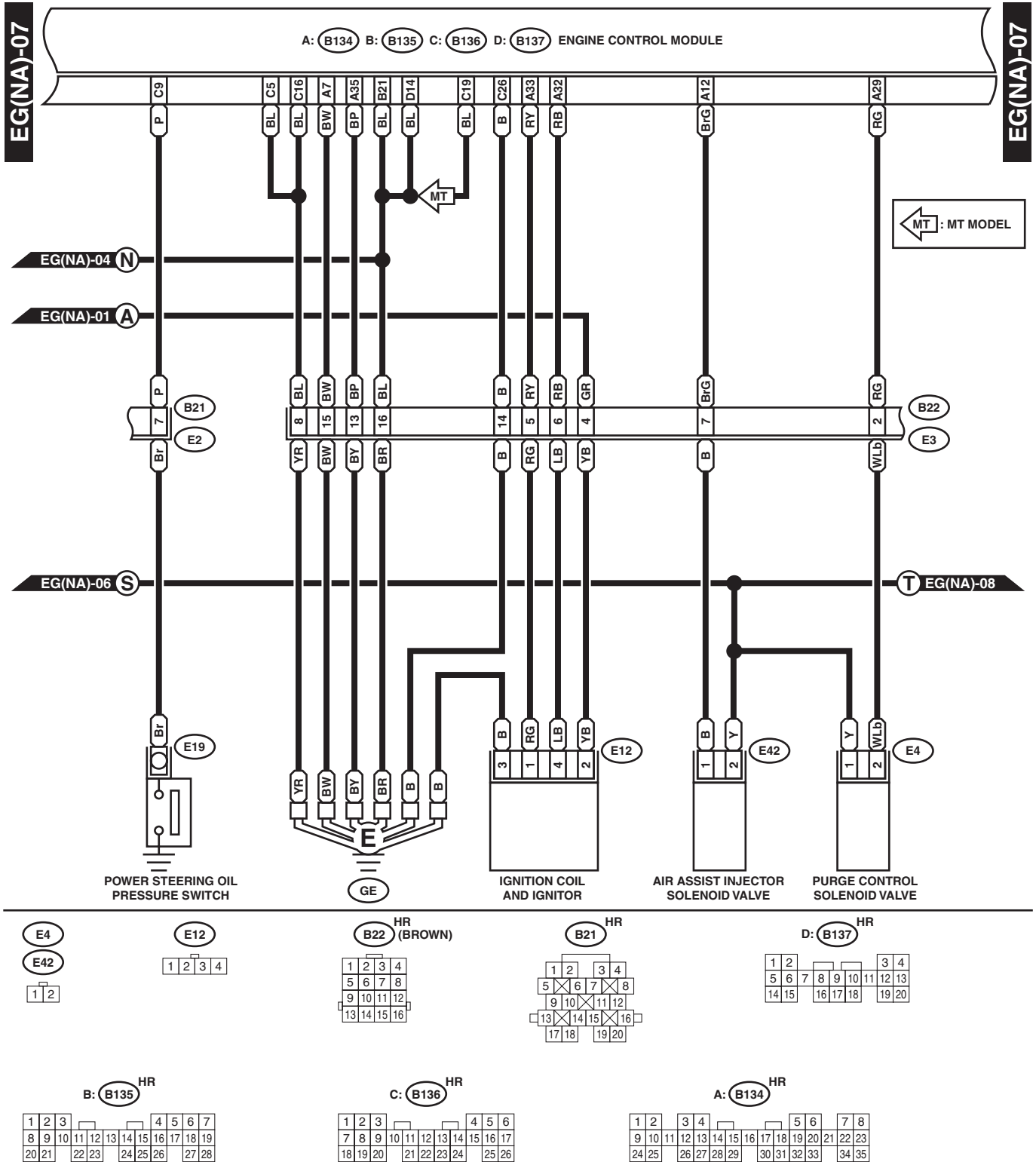
WIRING SYSTEM



WI-06787

ENGINE ELECTRICAL SYSTEM

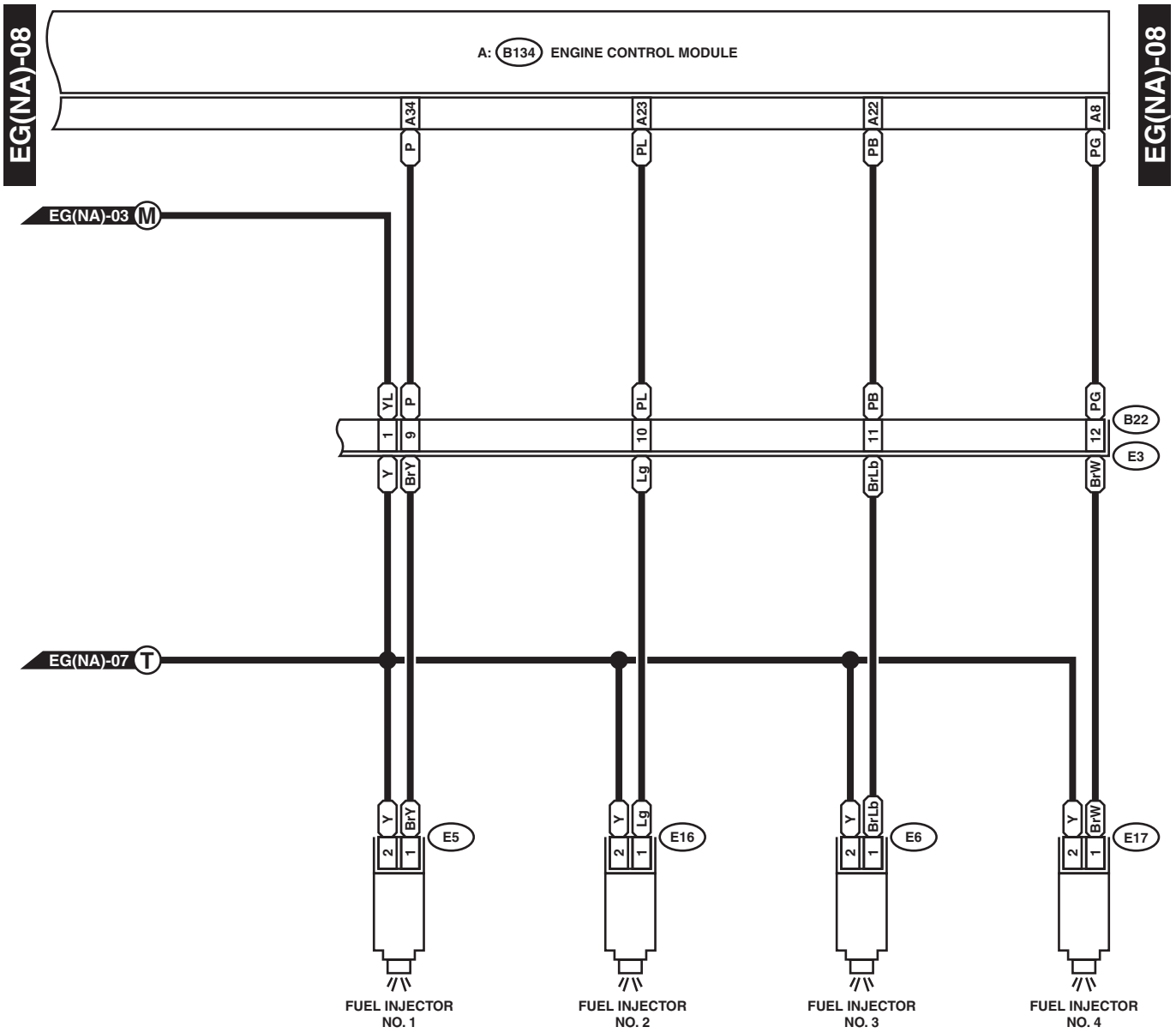
WIRING SYSTEM



WI-06788

ENGINE ELECTRICAL SYSTEM

WIRING SYSTEM



- (E5)
- (E6)
- (E16)
- (E17)
- 1 2

HR (BROWN)

1	2	3	4
5	6	7	8
9	10	11	12
13	14	15	16

A: B134 HR

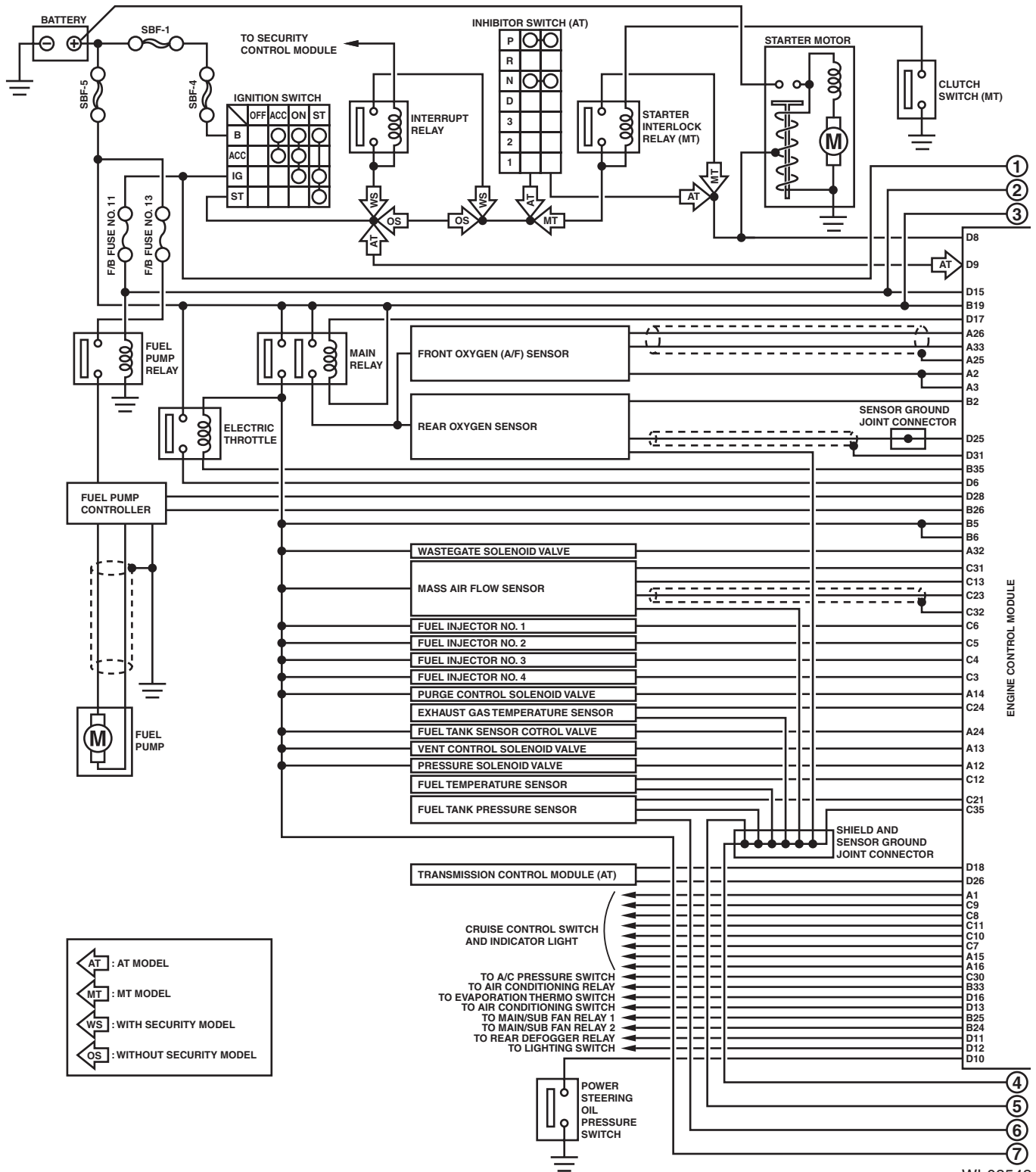
1	2	3	4			5	6	7	8					
9	10	11	12	13	14	15	16	17	18	19	20	21	22	23
24	25	26	27	28	29	30	31	32	33	34	35			

WI-06789

ENGINE ELECTRICAL SYSTEM

WIRING SYSTEM

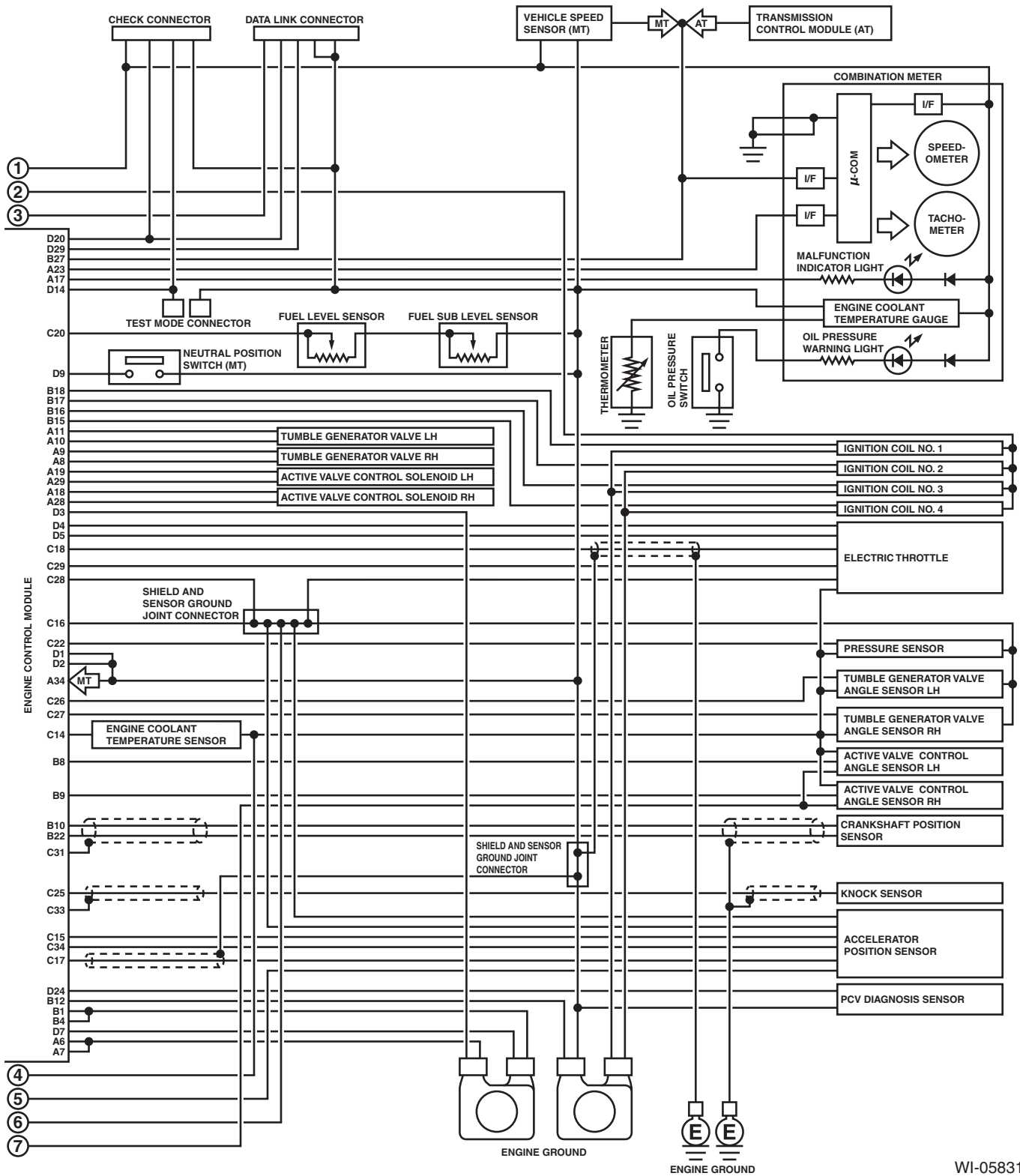
2. TURBO ENGINE MODEL



WI-03543

ENGINE ELECTRICAL SYSTEM

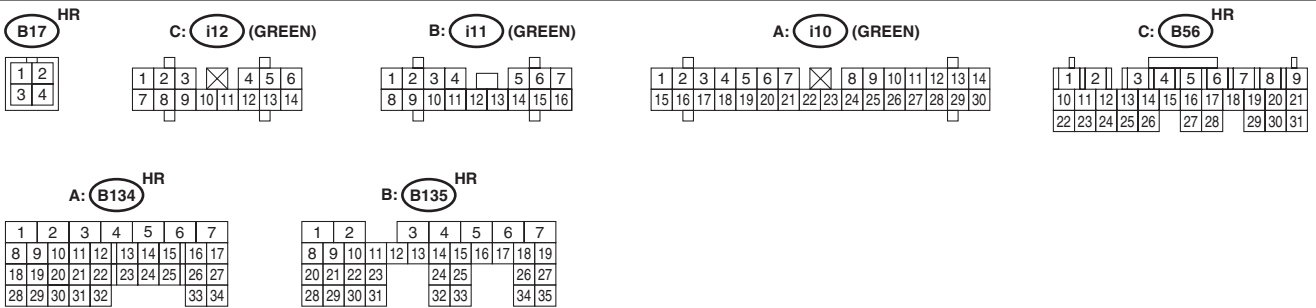
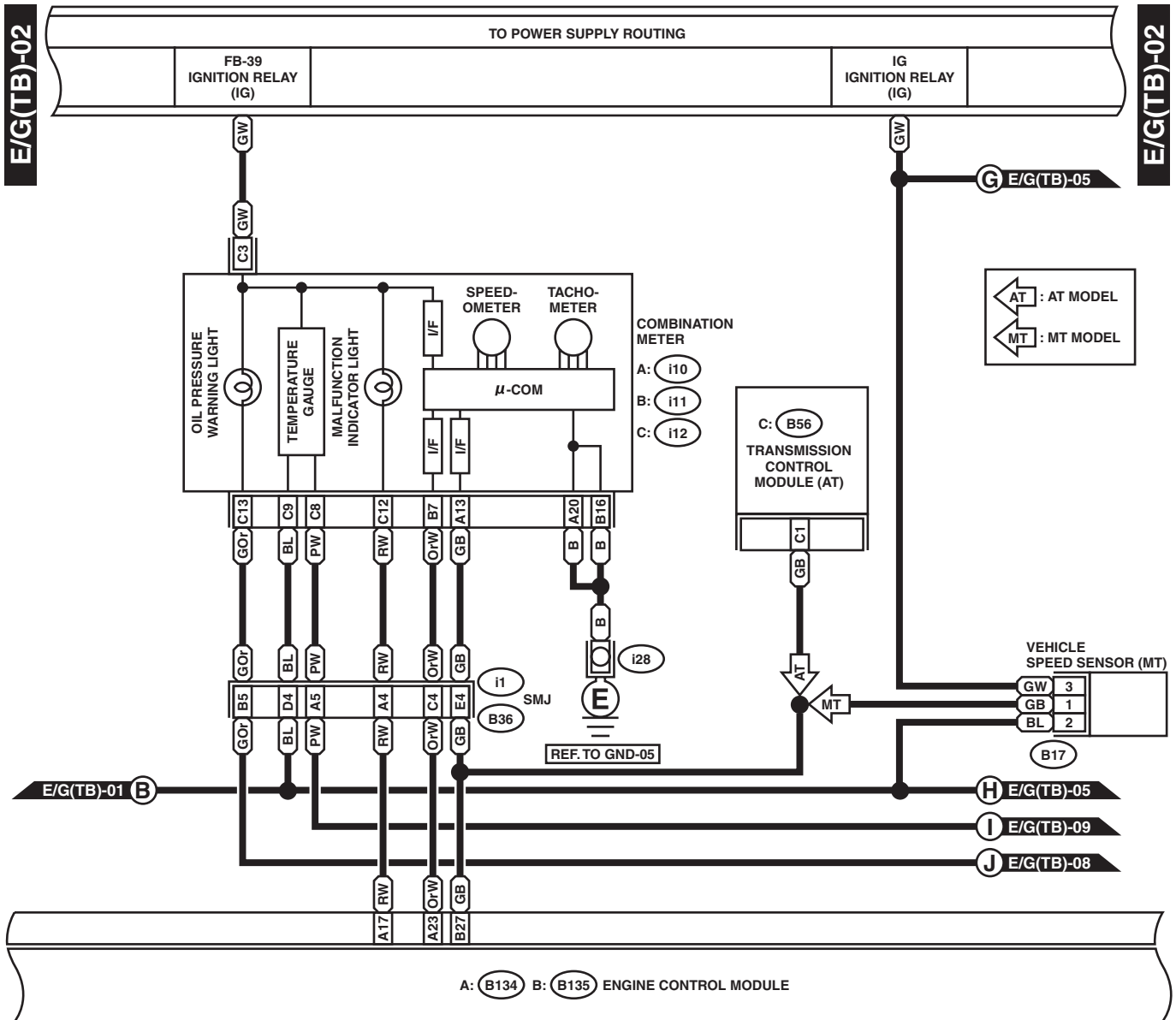
WIRING SYSTEM



WI-05831

ENGINE ELECTRICAL SYSTEM

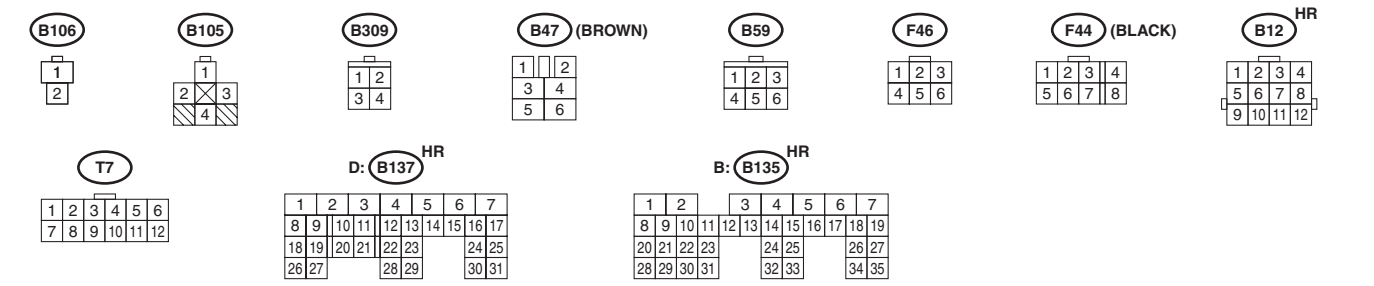
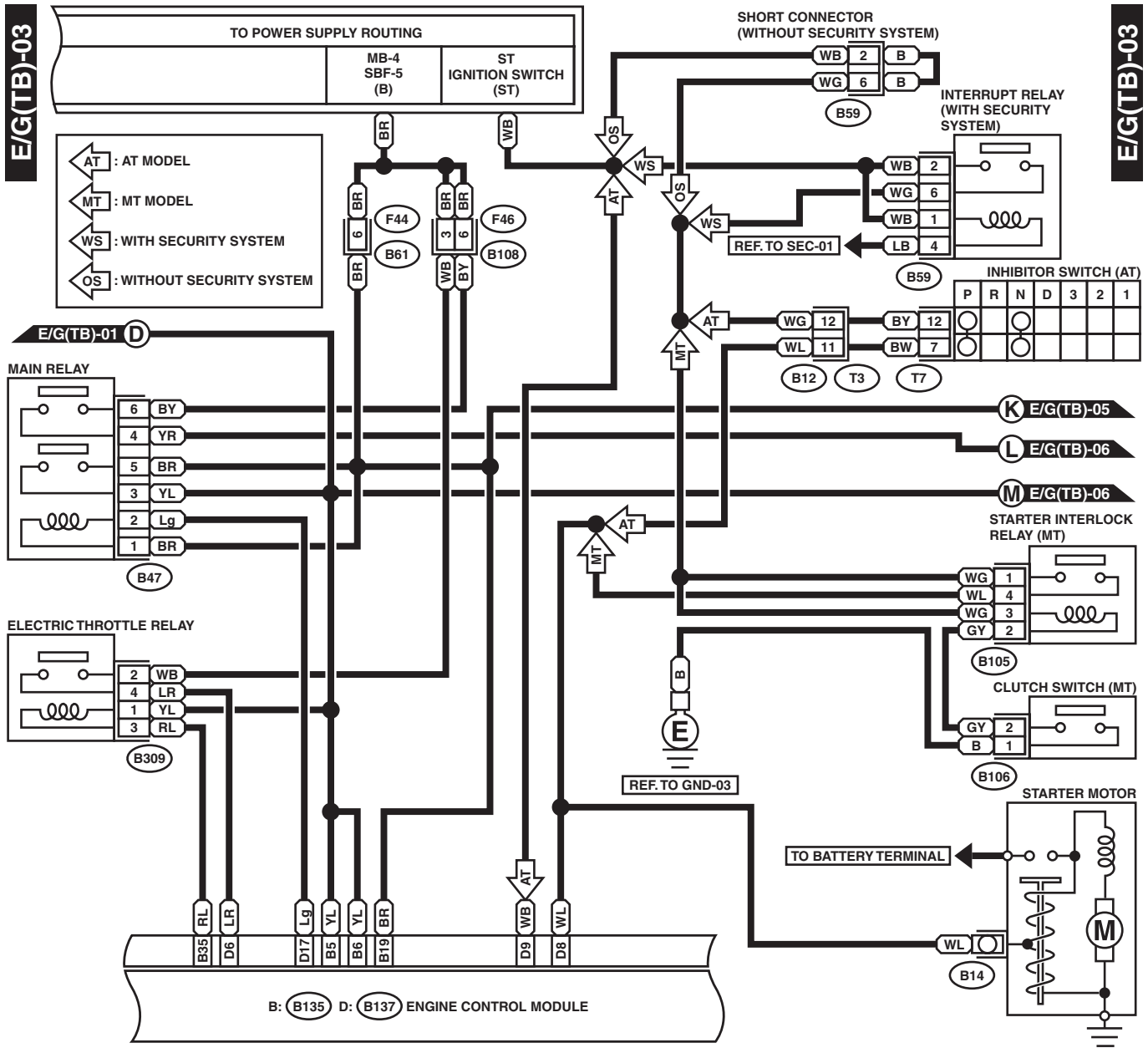
WIRING SYSTEM



WI-06791

ENGINE ELECTRICAL SYSTEM

WIRING SYSTEM



WI-06792

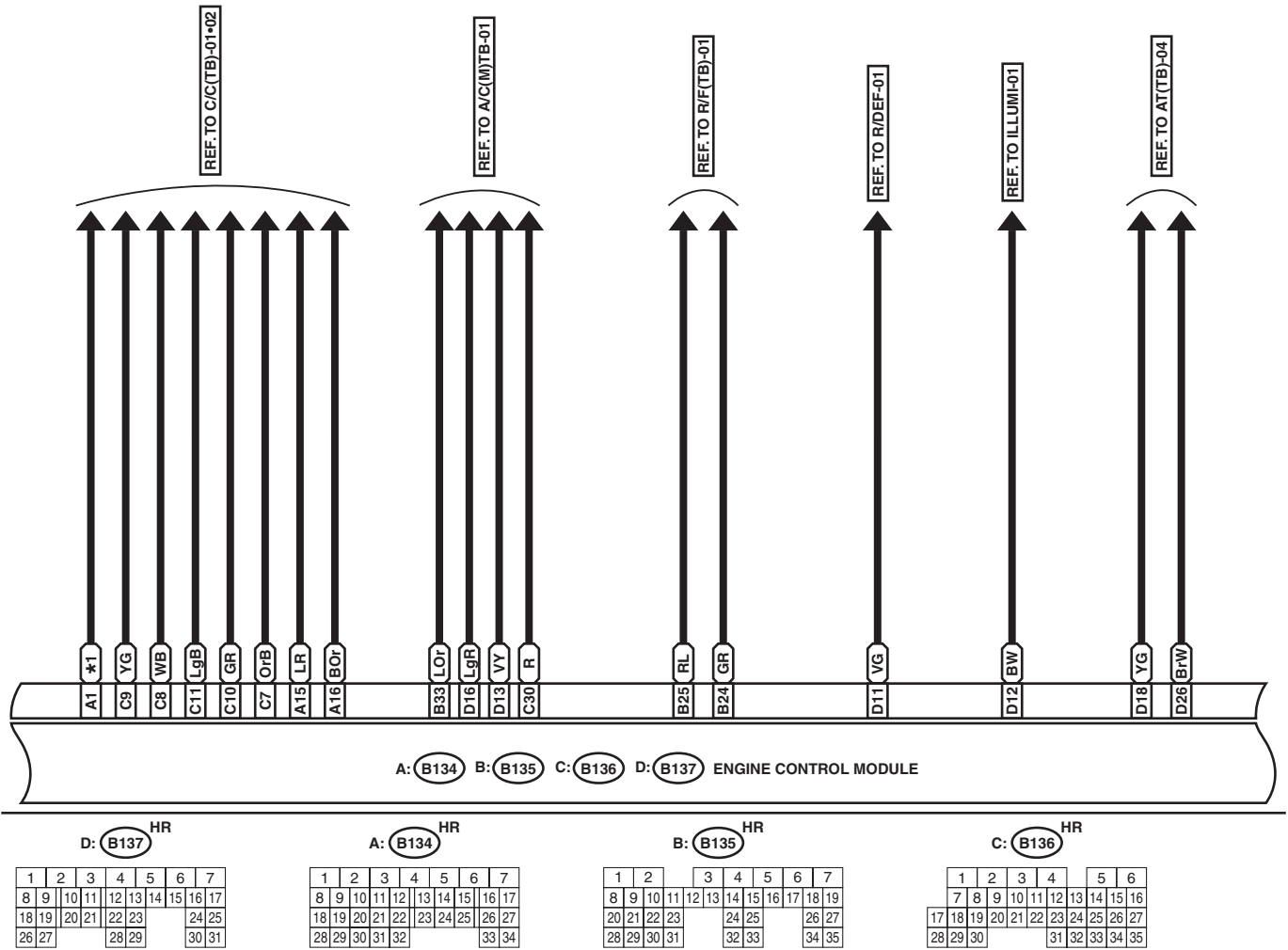
ENGINE ELECTRICAL SYSTEM

WIRING SYSTEM

E/G(TB)-04

E/G(TB)-04

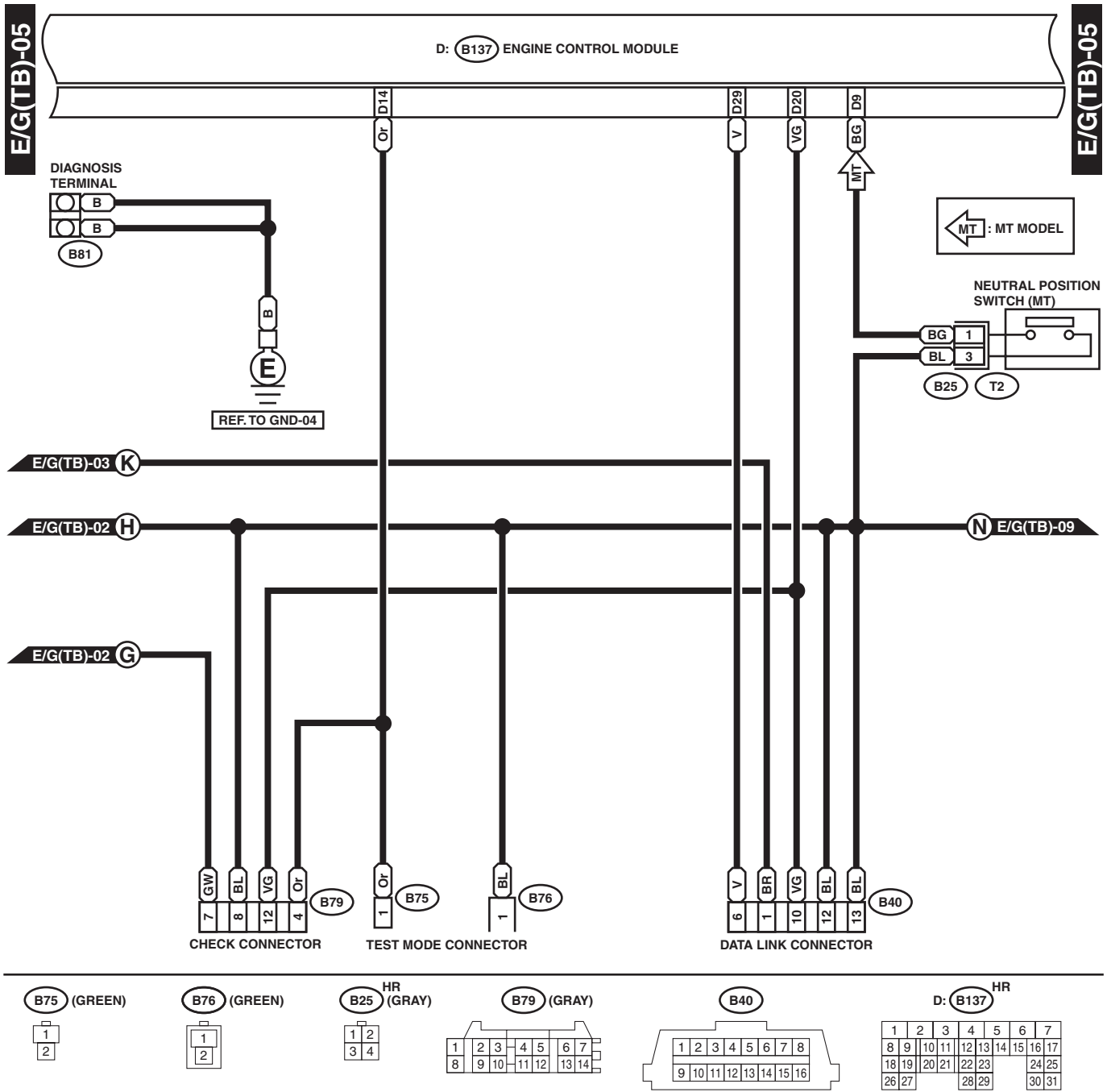
*1 : AT MODEL : GR
MT MODEL : YR



WI-06793

ENGINE ELECTRICAL SYSTEM

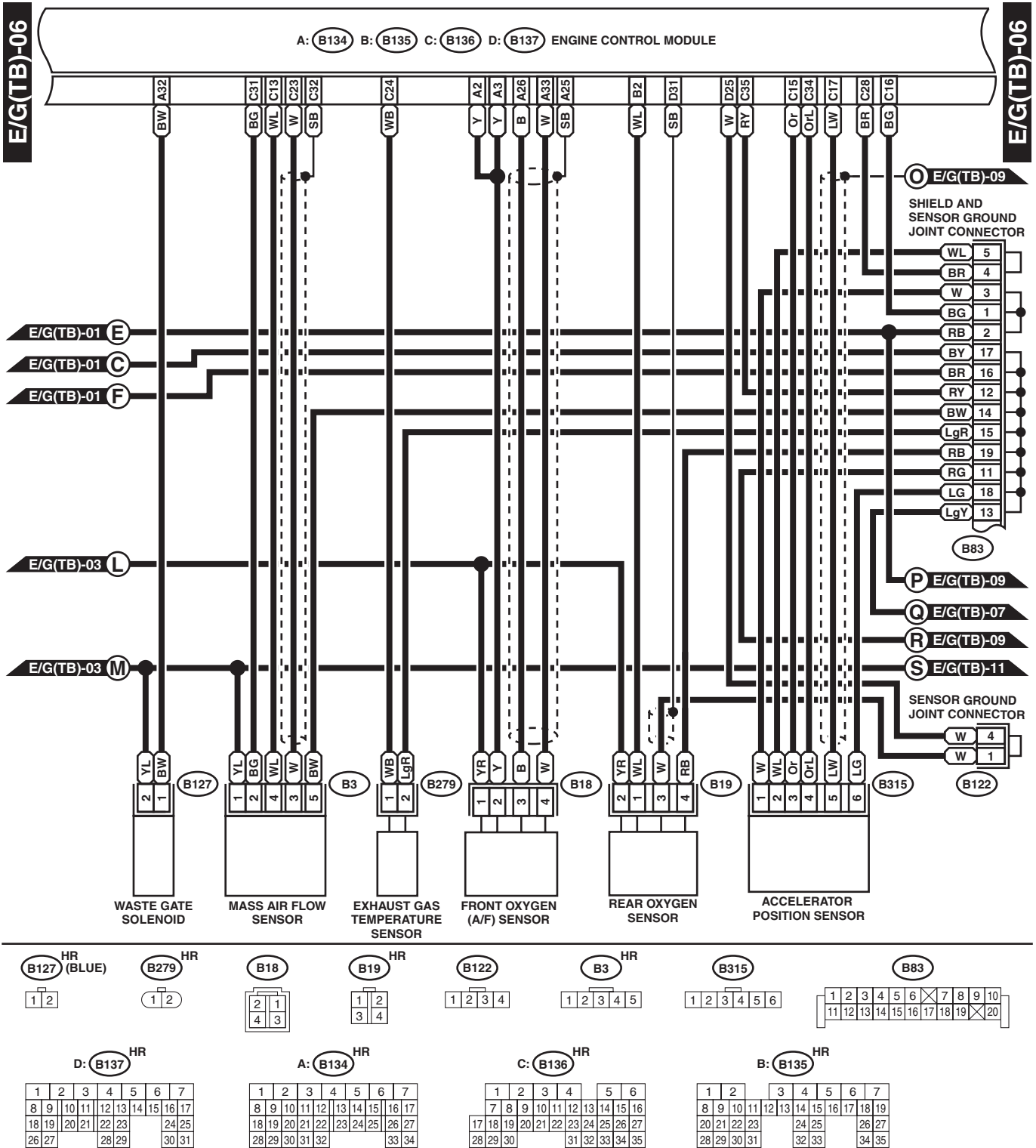
WIRING SYSTEM



WI-06794

ENGINE ELECTRICAL SYSTEM

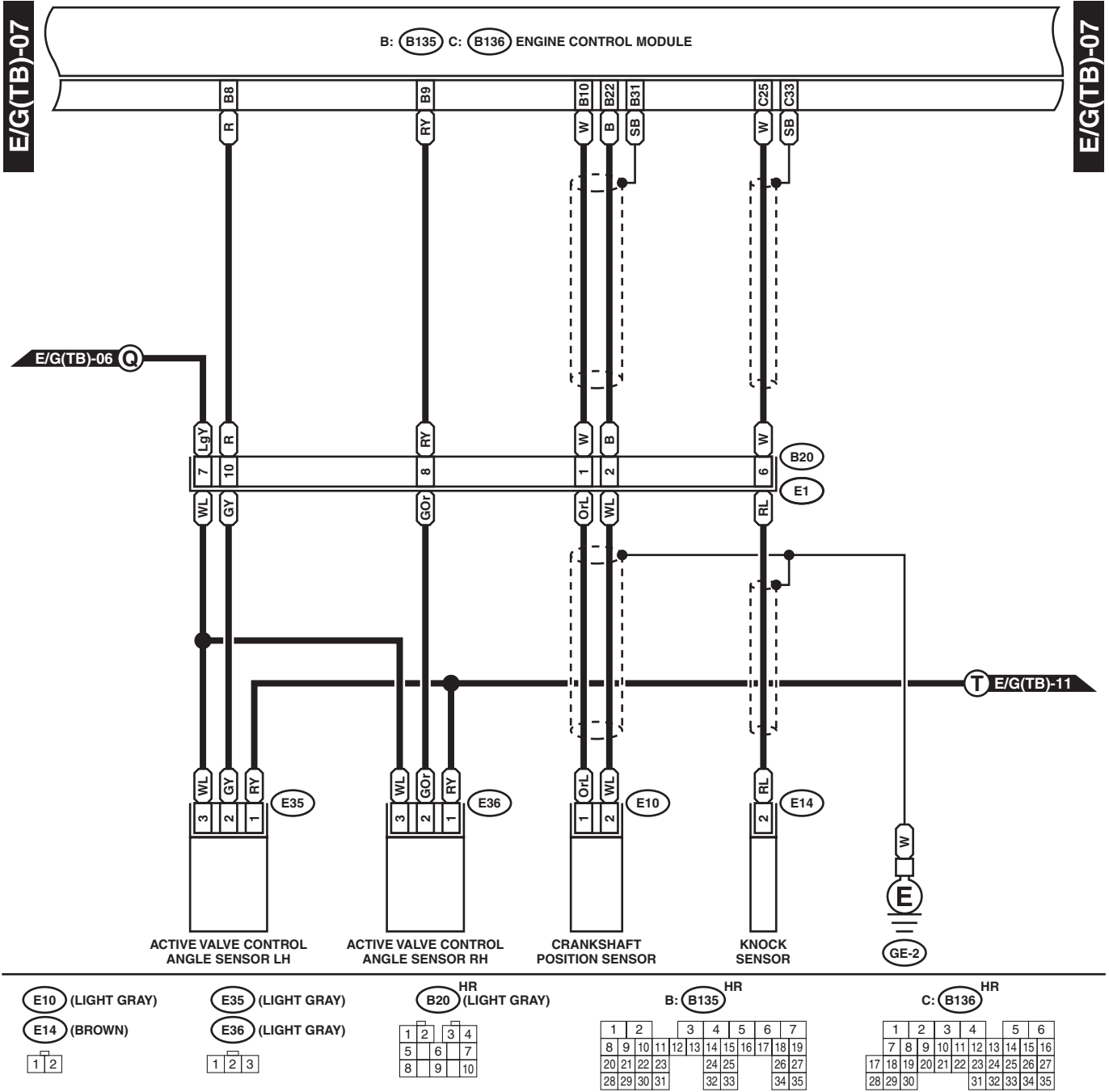
WIRING SYSTEM



WI-06795

ENGINE ELECTRICAL SYSTEM

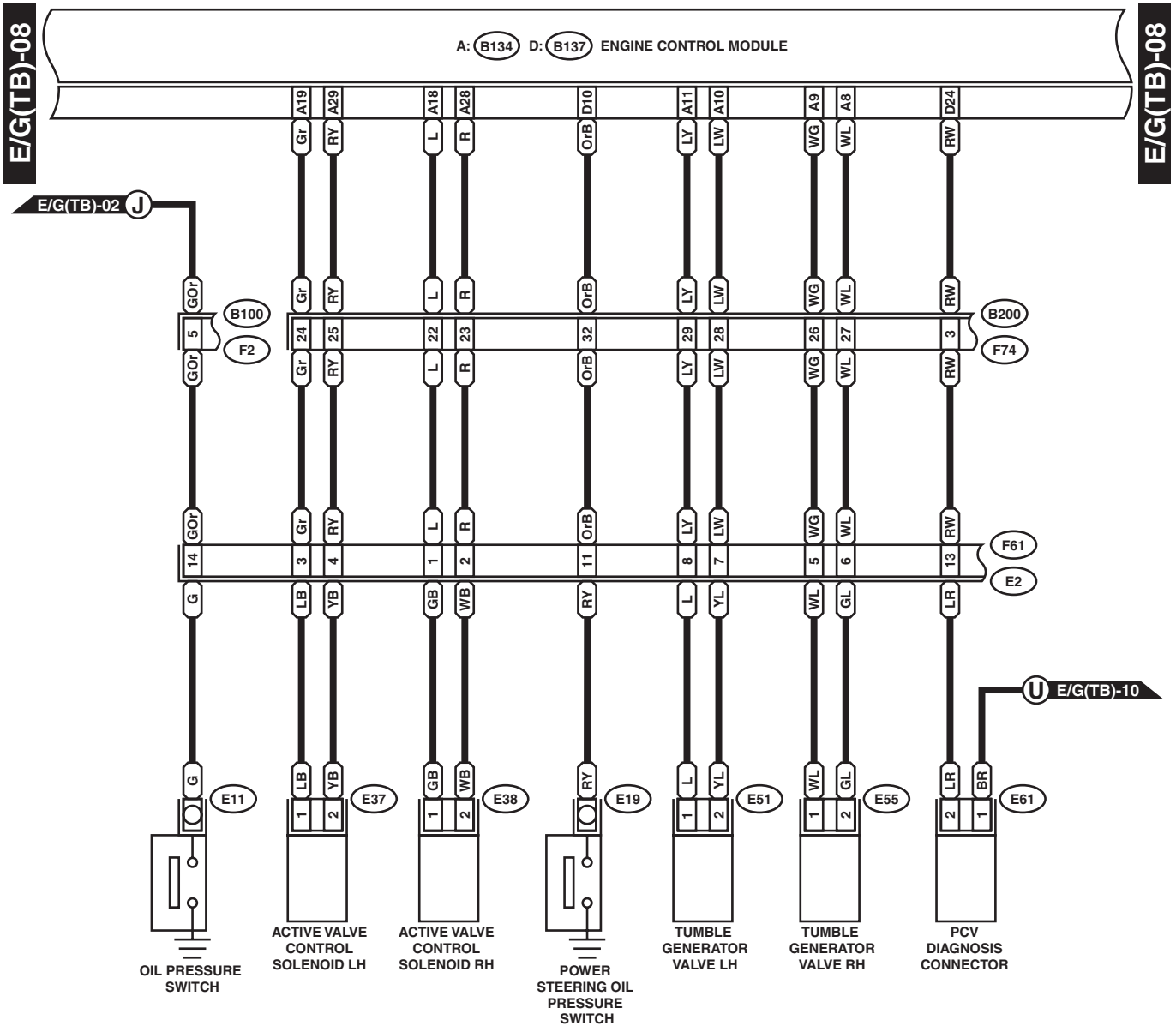
WIRING SYSTEM



WI-06796

ENGINE ELECTRICAL SYSTEM

WIRING SYSTEM



E37 (BLUE)

E38 (BLUE)

E51 (BLACK)

E55 (BLACK)

E61 (DARK GRAY)

1 2

F2 (BLUE)

1	2	3	4	5	6	7	8
9	10	11	12	13	14	15	16

F61 (BLACK)

1	2	3	4
5	6	7	8
9	10	11	12
13	14	15	16
17	18	19	20

D: B137

1	2	3	4	5	6	7
8	9	10	11	12	13	14
15	16	17	18	19	20	21
22	23	24	25	26	27	28
29	30	31	32	33	34	35

F74

1	2	3	4	5	6	7	8	9
10	11	12	13	14	15	16	17	18
19	20	21	22	23	24	25	26	27
28	29	30	31	32	33	34	35	36

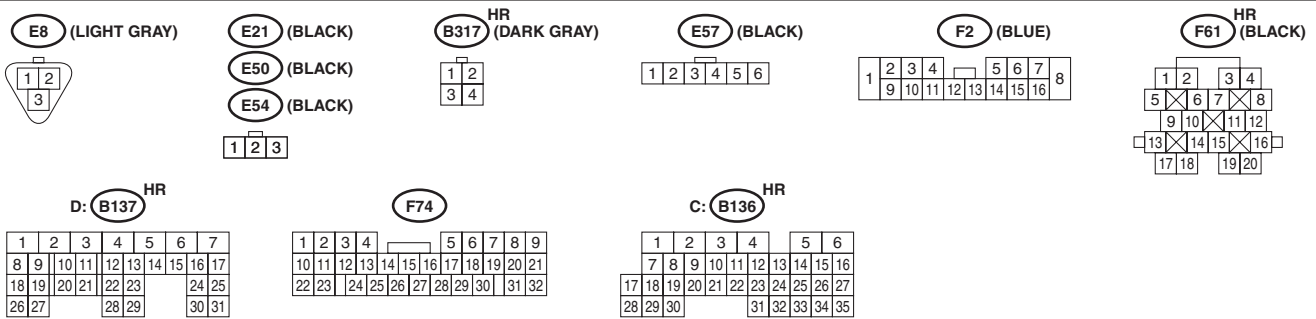
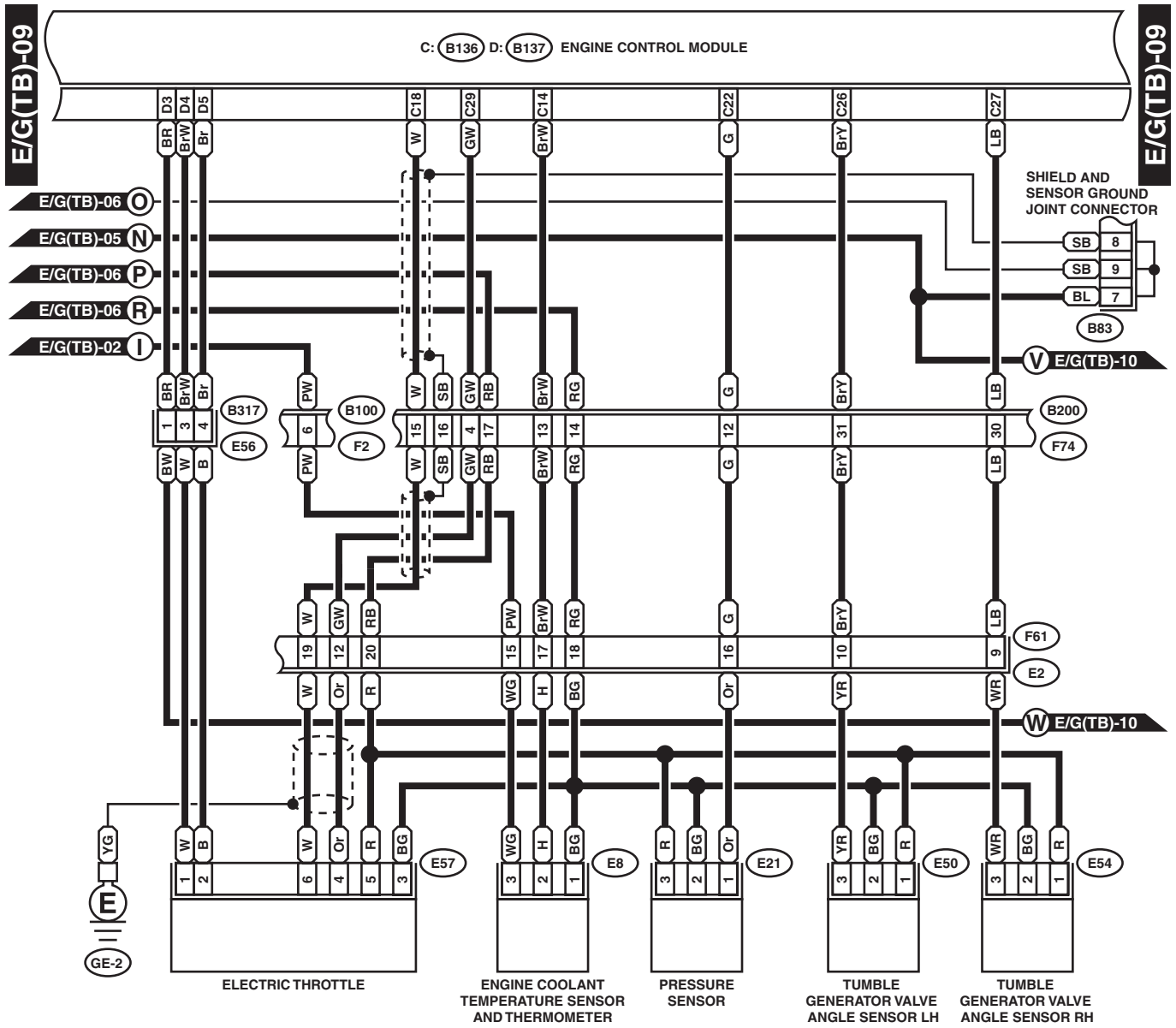
A: B134

1	2	3	4	5	6	7
8	9	10	11	12	13	14
15	16	17	18	19	20	21
22	23	24	25	26	27	28
29	30	31	32	33	34	35

WI-06797

ENGINE ELECTRICAL SYSTEM

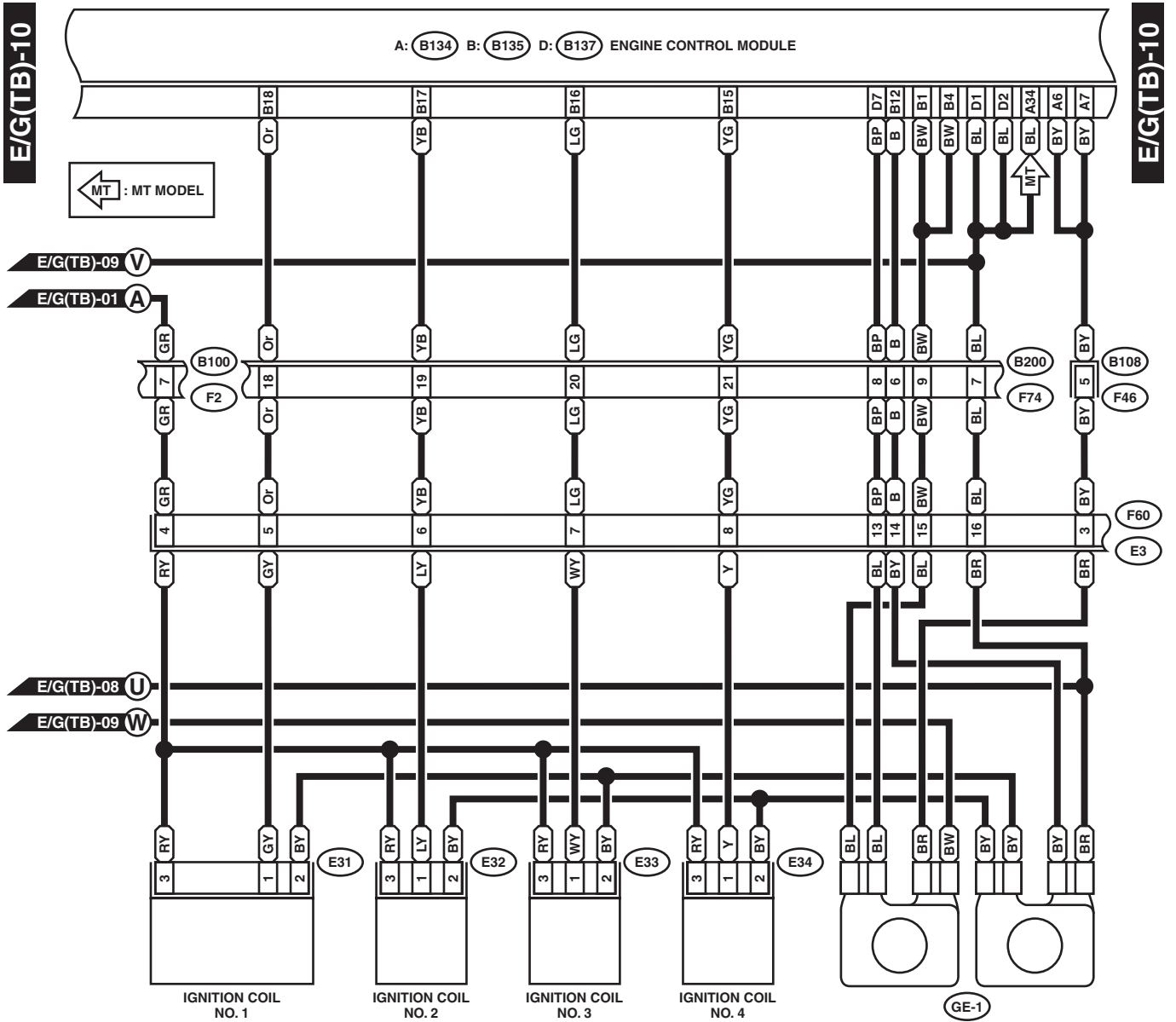
WIRING SYSTEM



WI-06798

ENGINE ELECTRICAL SYSTEM

WIRING SYSTEM

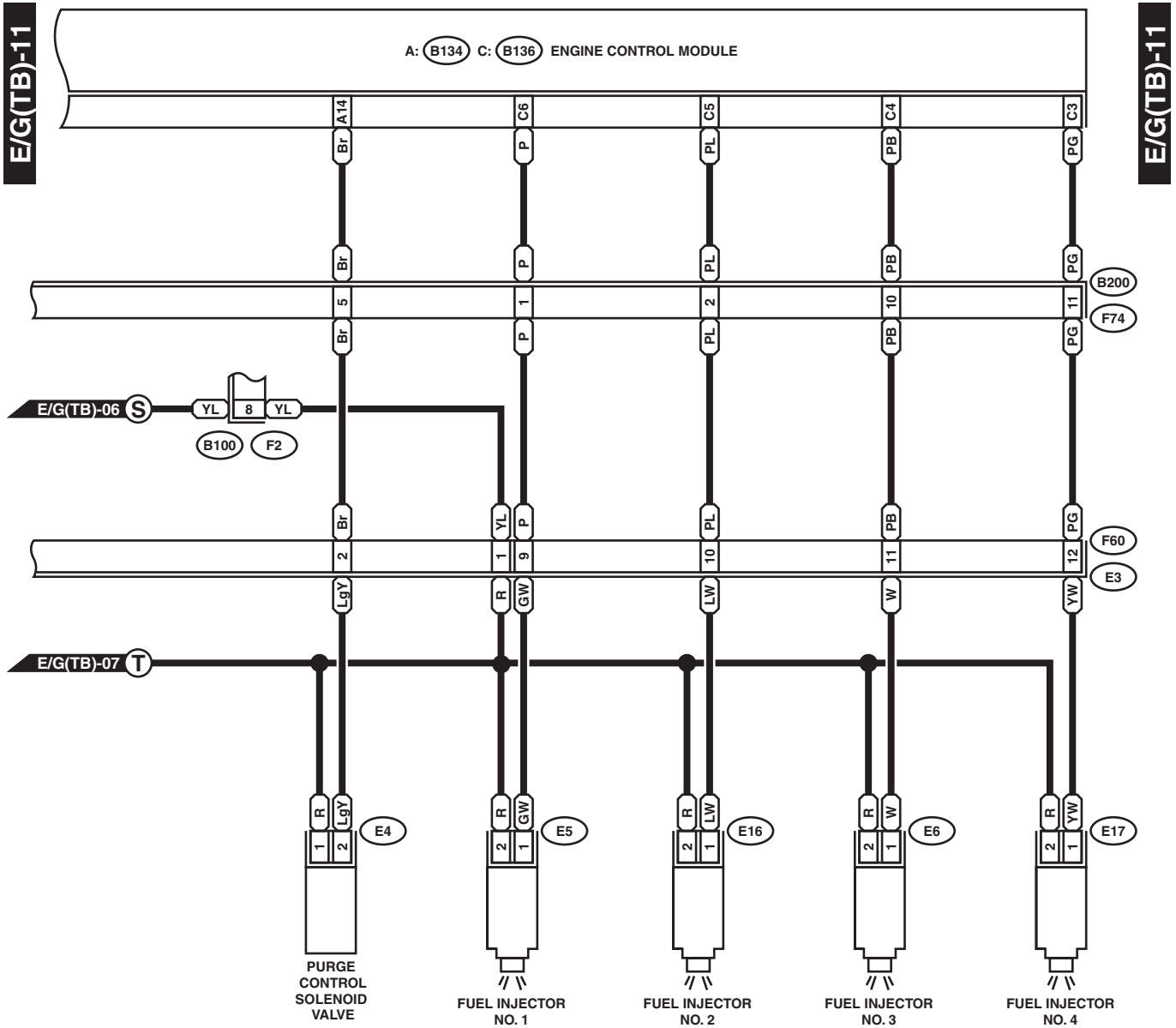


E31	F46	F2 (BLUE)	F60 HR	D: B137 HR	F74																																																																																																					
E32	<table border="1"><tr><td>1</td><td>2</td><td>3</td></tr><tr><td>4</td><td>5</td><td>6</td></tr></table>	1	2	3	4	5	6	<table border="1"><tr><td>1</td><td>2</td><td>3</td><td>4</td><td>5</td><td>6</td><td>7</td><td>8</td></tr><tr><td>9</td><td>10</td><td>11</td><td>12</td><td>13</td><td>14</td><td>15</td><td>16</td></tr></table>	1	2	3	4	5	6	7	8	9	10	11	12	13	14	15	16	<table border="1"><tr><td>1</td><td>2</td><td>3</td><td>4</td></tr><tr><td>5</td><td>6</td><td>7</td><td>8</td></tr><tr><td>9</td><td>10</td><td>11</td><td>12</td></tr><tr><td>13</td><td>14</td><td>15</td><td>16</td></tr></table>	1	2	3	4	5	6	7	8	9	10	11	12	13	14	15	16	<table border="1"><tr><td>1</td><td>2</td><td>3</td><td>4</td><td>5</td><td>6</td><td>7</td></tr><tr><td>8</td><td>9</td><td>10</td><td>11</td><td>12</td><td>13</td><td>14</td><td>15</td><td>16</td><td>17</td></tr><tr><td>18</td><td>19</td><td>20</td><td>21</td><td>22</td><td>23</td><td>24</td><td>25</td></tr><tr><td>26</td><td>27</td><td>28</td><td>29</td><td>30</td><td>31</td></tr></table>	1	2	3	4	5	6	7	8	9	10	11	12	13	14	15	16	17	18	19	20	21	22	23	24	25	26	27	28	29	30	31	<table border="1"><tr><td>1</td><td>2</td><td>3</td><td>4</td><td>5</td><td>6</td><td>7</td><td>8</td><td>9</td></tr><tr><td>10</td><td>11</td><td>12</td><td>13</td><td>14</td><td>15</td><td>16</td><td>17</td><td>18</td><td>19</td><td>20</td><td>21</td></tr><tr><td>22</td><td>23</td><td>24</td><td>25</td><td>26</td><td>27</td><td>28</td><td>29</td><td>30</td><td>31</td><td>32</td></tr></table>	1	2	3	4	5	6	7	8	9	10	11	12	13	14	15	16	17	18	19	20	21	22	23	24	25	26	27	28	29	30	31	32
1	2	3																																																																																																								
4	5	6																																																																																																								
1	2	3	4	5	6	7	8																																																																																																			
9	10	11	12	13	14	15	16																																																																																																			
1	2	3	4																																																																																																							
5	6	7	8																																																																																																							
9	10	11	12																																																																																																							
13	14	15	16																																																																																																							
1	2	3	4	5	6	7																																																																																																				
8	9	10	11	12	13	14	15	16	17																																																																																																	
18	19	20	21	22	23	24	25																																																																																																			
26	27	28	29	30	31																																																																																																					
1	2	3	4	5	6	7	8	9																																																																																																		
10	11	12	13	14	15	16	17	18	19	20	21																																																																																															
22	23	24	25	26	27	28	29	30	31	32																																																																																																
E33 (BLACK)																																																																																																										
E34 (BLACK)																																																																																																										
<table border="1"><tr><td>1</td></tr><tr><td>2</td></tr><tr><td>3</td></tr></table>	1	2	3	A: B134 HR	B: B135 HR																																																																																																					
1																																																																																																										
2																																																																																																										
3																																																																																																										
	<table border="1"><tr><td>1</td><td>2</td><td>3</td><td>4</td><td>5</td><td>6</td><td>7</td></tr><tr><td>8</td><td>9</td><td>10</td><td>11</td><td>12</td><td>13</td><td>14</td><td>15</td><td>16</td><td>17</td></tr><tr><td>18</td><td>19</td><td>20</td><td>21</td><td>22</td><td>23</td><td>24</td><td>25</td><td>26</td><td>27</td></tr><tr><td>28</td><td>29</td><td>30</td><td>31</td><td>32</td><td>33</td><td>34</td></tr></table>	1	2	3	4	5	6	7	8	9	10	11	12	13	14	15	16	17	18	19	20	21	22	23	24	25	26	27	28	29	30	31	32	33	34	<table border="1"><tr><td>1</td><td>2</td><td>3</td><td>4</td><td>5</td><td>6</td><td>7</td></tr><tr><td>8</td><td>9</td><td>10</td><td>11</td><td>12</td><td>13</td><td>14</td><td>15</td><td>16</td><td>17</td><td>18</td><td>19</td></tr><tr><td>20</td><td>21</td><td>22</td><td>23</td><td>24</td><td>25</td><td>26</td><td>27</td></tr><tr><td>28</td><td>29</td><td>30</td><td>31</td><td>32</td><td>33</td><td>34</td><td>35</td></tr></table>	1	2	3	4	5	6	7	8	9	10	11	12	13	14	15	16	17	18	19	20	21	22	23	24	25	26	27	28	29	30	31	32	33	34	35																																			
1	2	3	4	5	6	7																																																																																																				
8	9	10	11	12	13	14	15	16	17																																																																																																	
18	19	20	21	22	23	24	25	26	27																																																																																																	
28	29	30	31	32	33	34																																																																																																				
1	2	3	4	5	6	7																																																																																																				
8	9	10	11	12	13	14	15	16	17	18	19																																																																																															
20	21	22	23	24	25	26	27																																																																																																			
28	29	30	31	32	33	34	35																																																																																																			

WI-06799

ENGINE ELECTRICAL SYSTEM

WIRING SYSTEM



E4 (BLACK)

1	2
---	---

E5 (LIGHT GRAY)

E6 (LIGHT GRAY)

E16 (LIGHT GRAY)

E17 (LIGHT GRAY)

1	2
---	---

F2 (BLUE)

1	2	3	4	5	6	7	8
9	10	11	12	13	14	15	16

F60 HR

1	2	3	4
5	6	7	8
9	10	11	12
13	14	15	16

F74

1	2	3	4	5	6	7	8	9
10	11	12	13	14	15	16	17	18
19	20	21	22	23	24	25	26	27
28	29	30	31	32				

A: B134 HR

1	2	3	4	5	6	7
8	9	10	11	12	13	14
15	16	17	18	19	20	21
22	23	24	25	26	27	
28	29	30	31	32		
				33	34	

C: B136 HR

1	2	3	4	5	6
7	8	9	10	11	12
13	14	15	16	17	18
19	20	21	22	23	24
25	26	27	28	29	30
31	32	33	34	35	

WI-06800

MEMO: