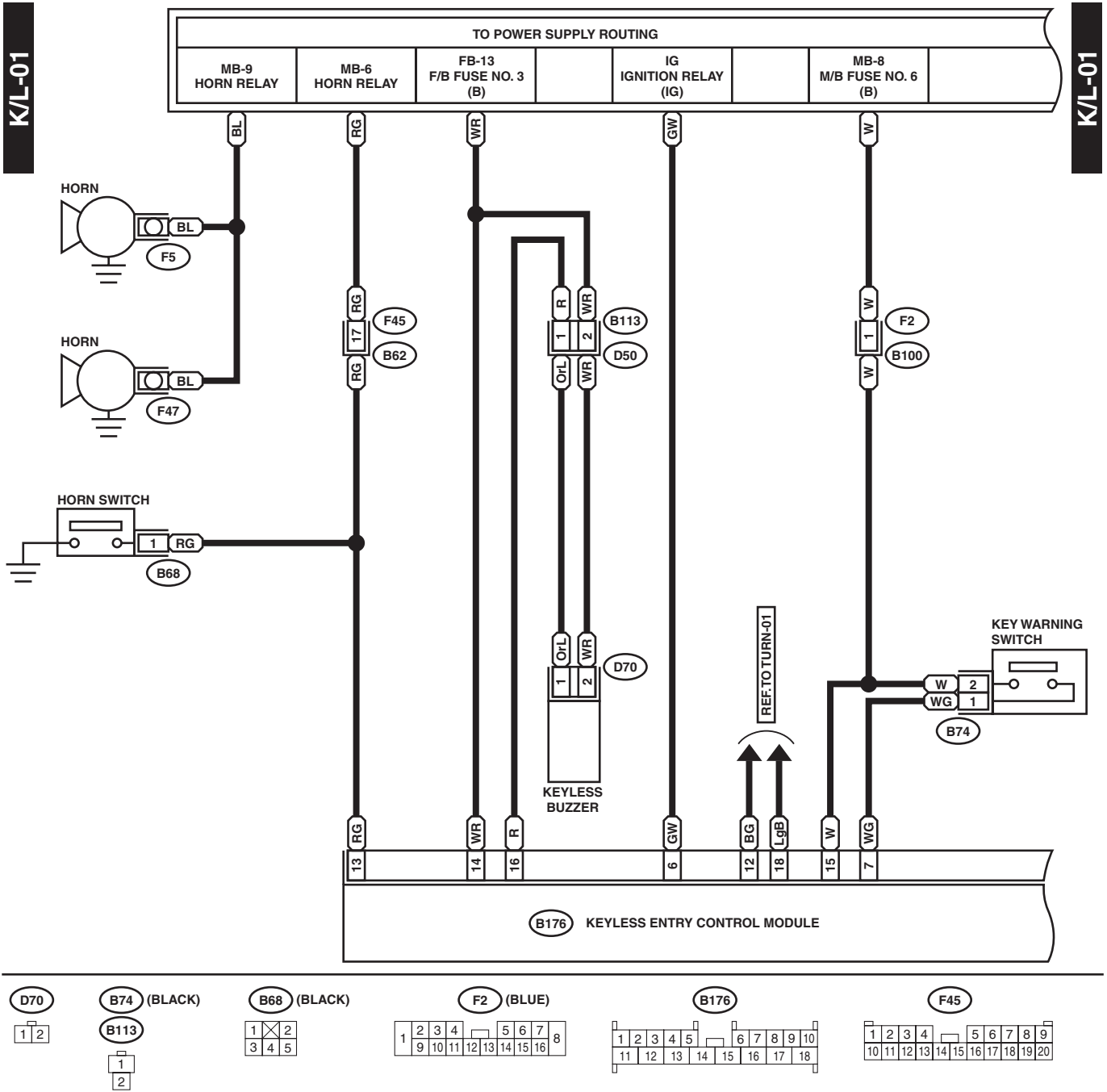


# KEYLESS ENTRY SYSTEM

WIRING SYSTEM

## 21. Keyless Entry System

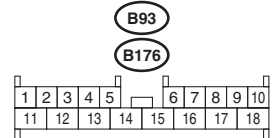
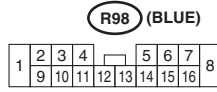
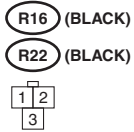
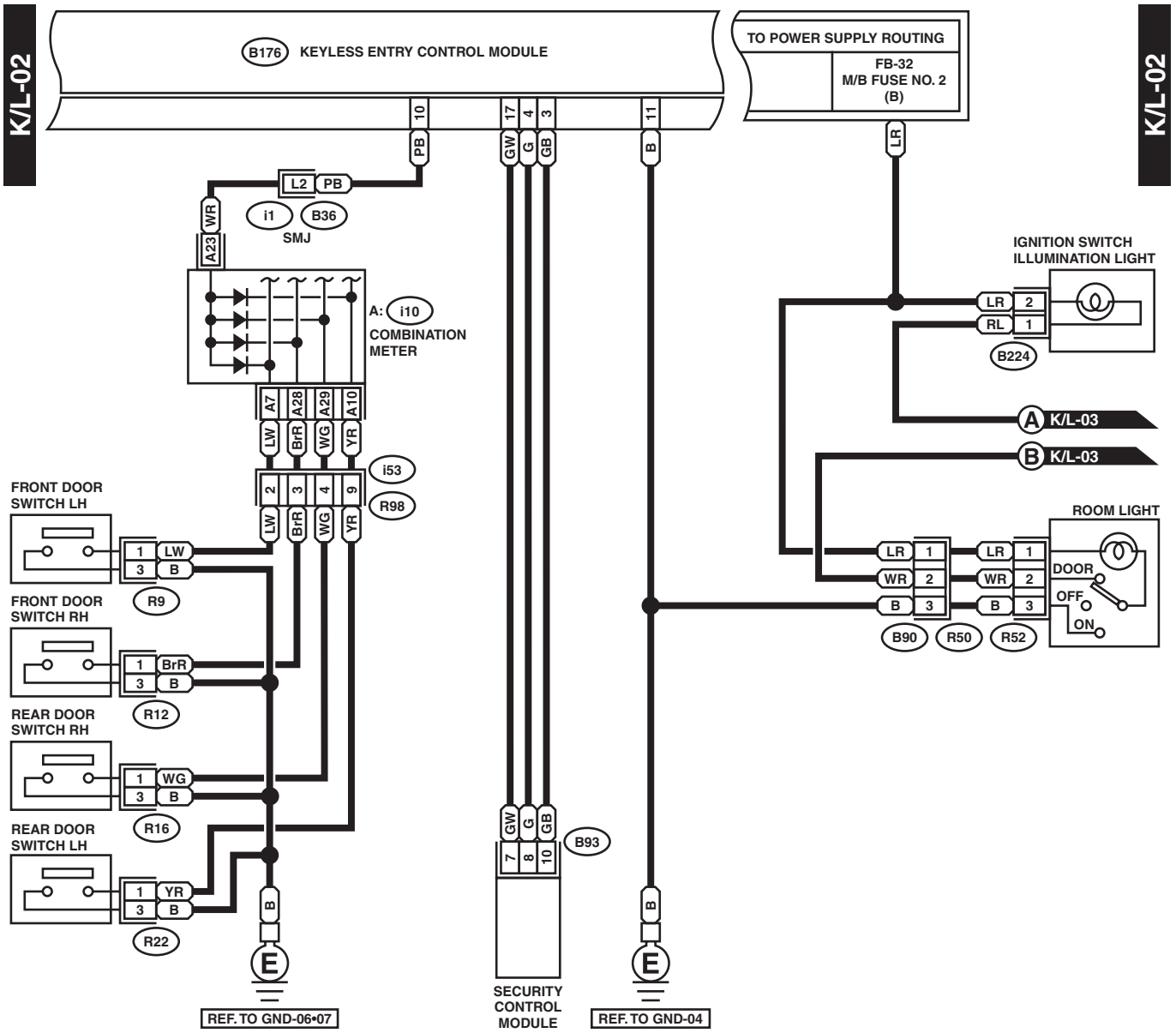
### A: SCHEMATIC



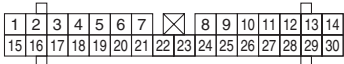
WI-05745

# KEYLESS ENTRY SYSTEM

WIRING SYSTEM



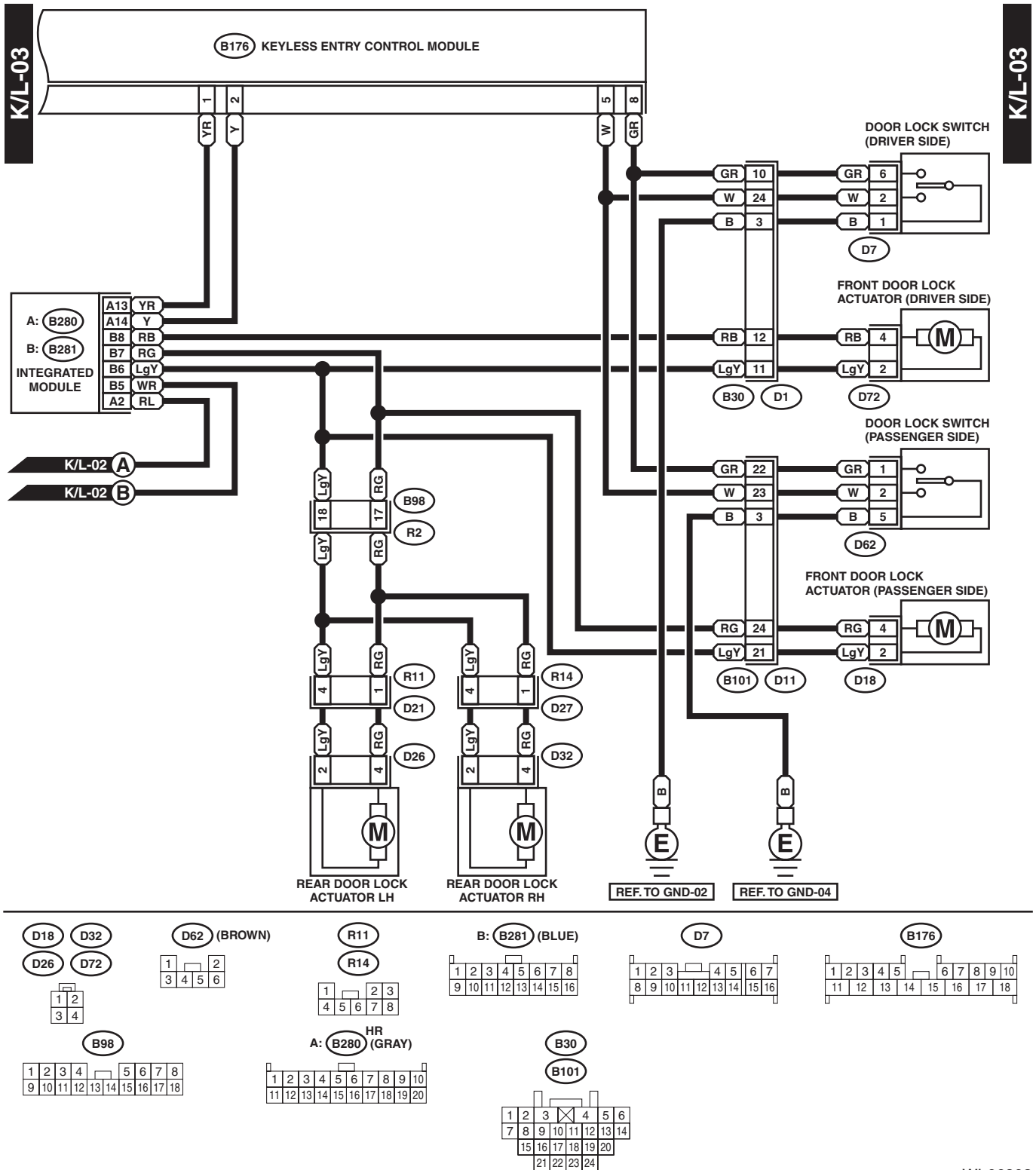
A: i10 (GREEN)



WI-05841

# KEYLESS ENTRY SYSTEM

## WIRING SYSTEM



WI-06803

**MEMO:**