

# BACK-UP LIGHT SYSTEM

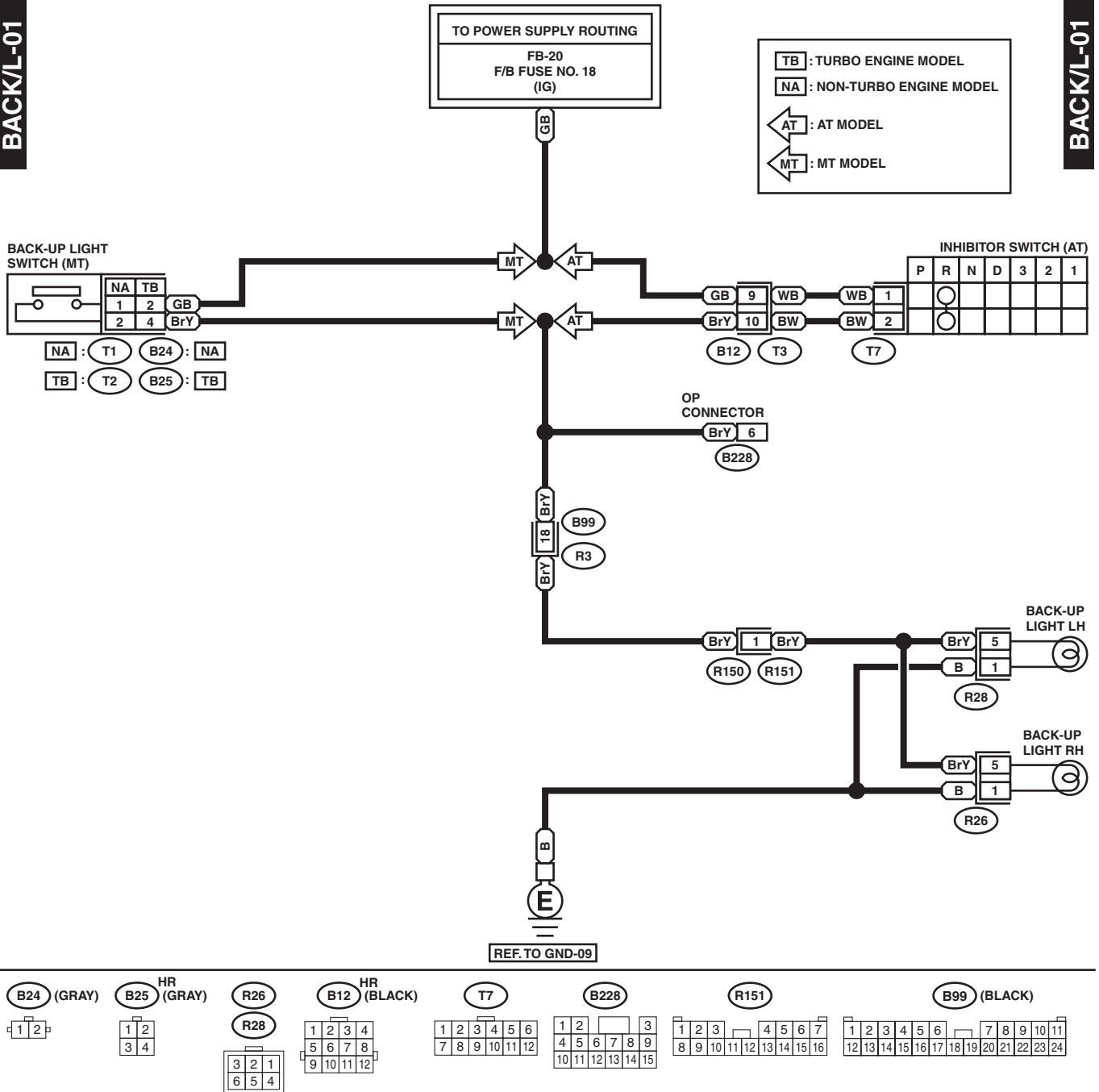
WIRING SYSTEM

## 22.Back-up Light System

### A: SCHEMATIC

BACK/L-01

BACK/L-01



WI-06804