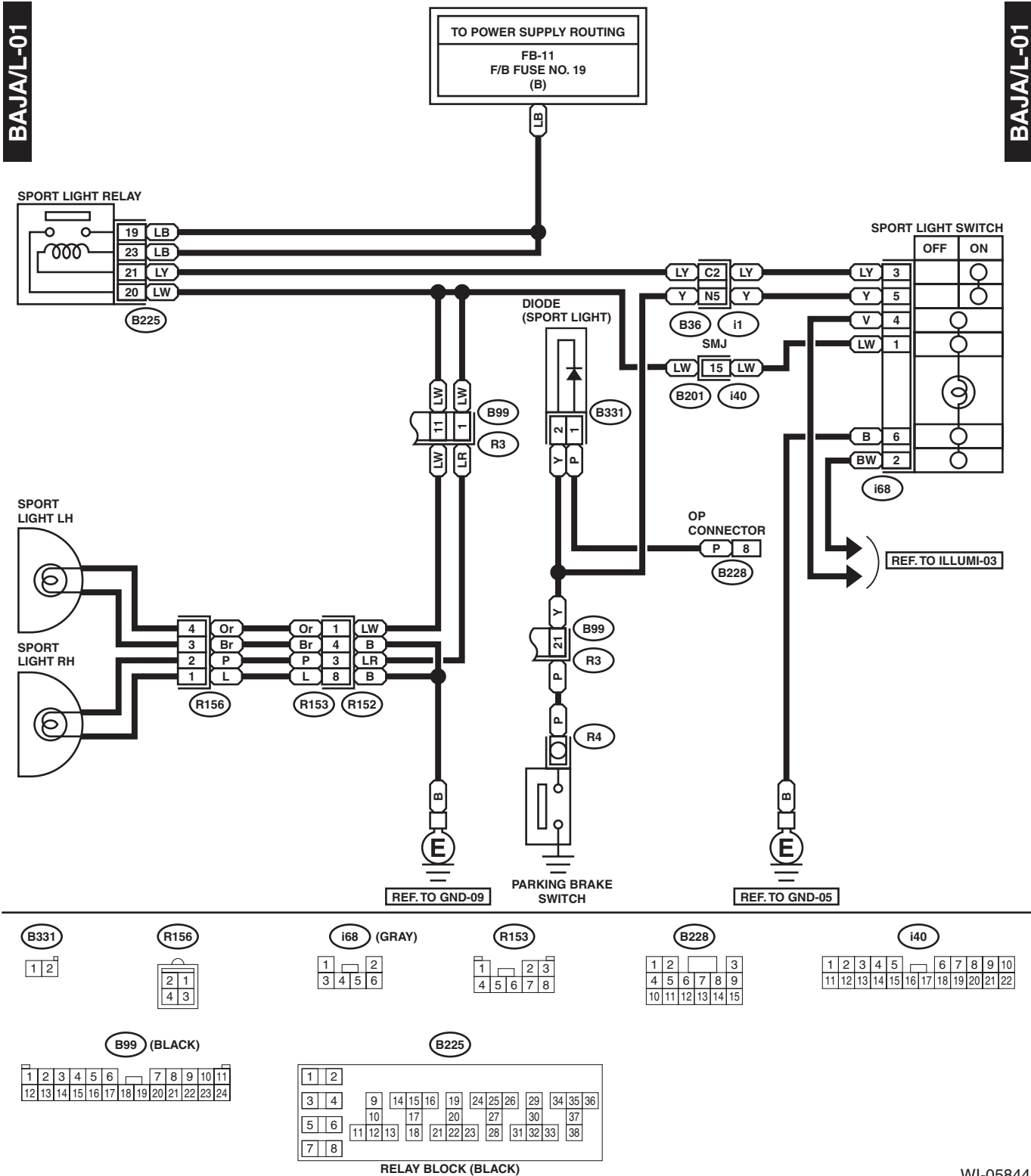


## 23. Sport Activity Light System

### A: SCHEMATIC



WI-05844