

CARGO LIGHT SYSTEM

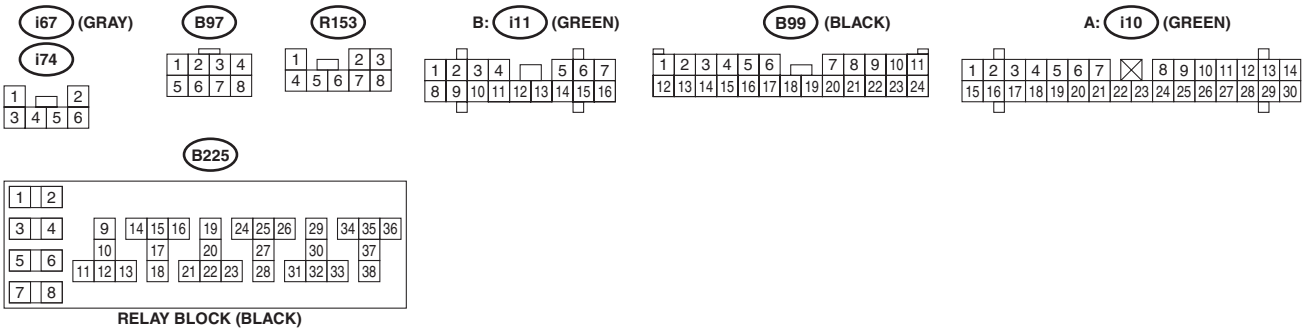
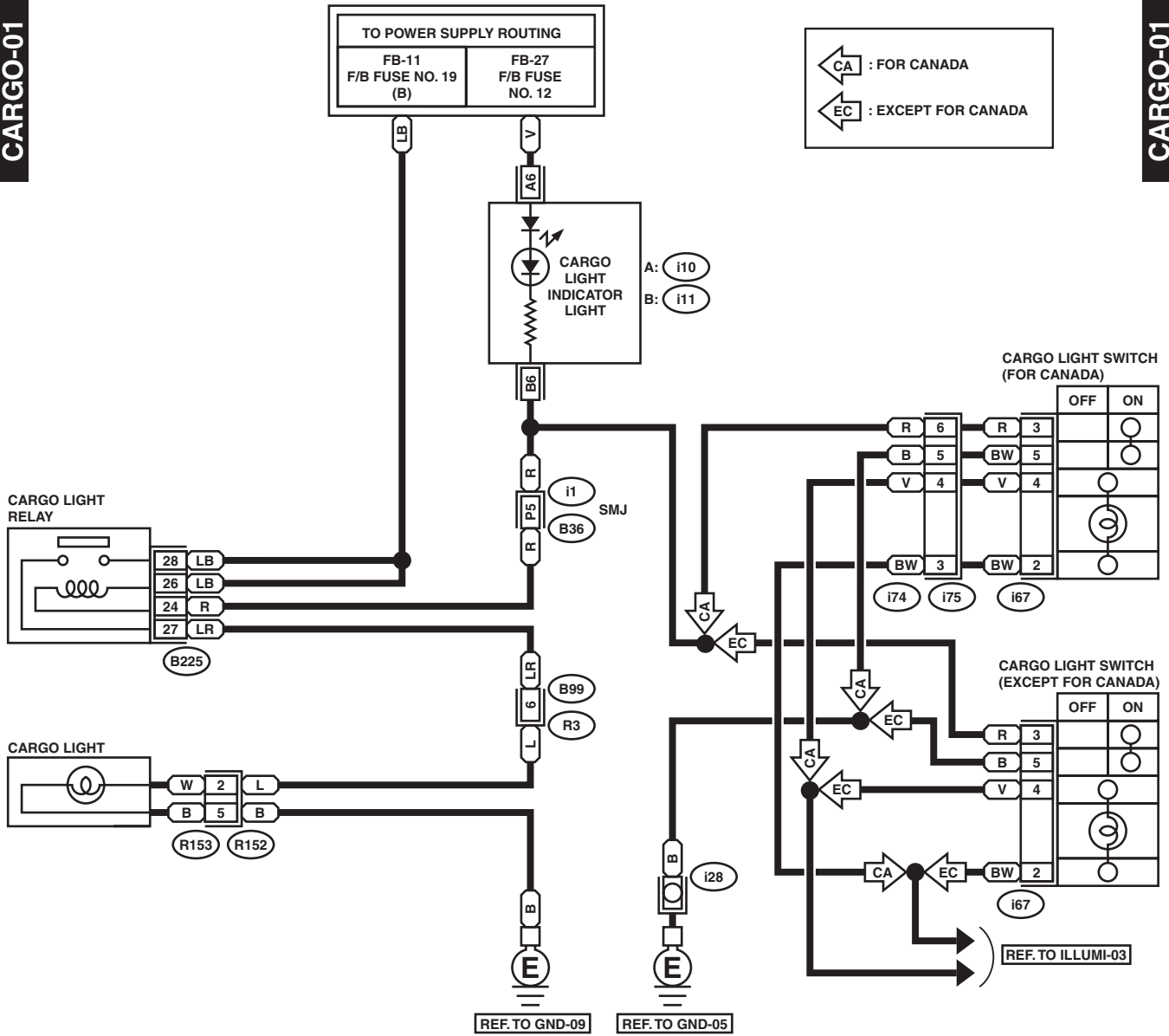
WIRING SYSTEM

24. Cargo Light System

A: SCHEMATIC

CARGO-01

CARGO-01



WI-06805

MEMO: