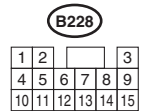
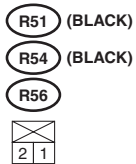
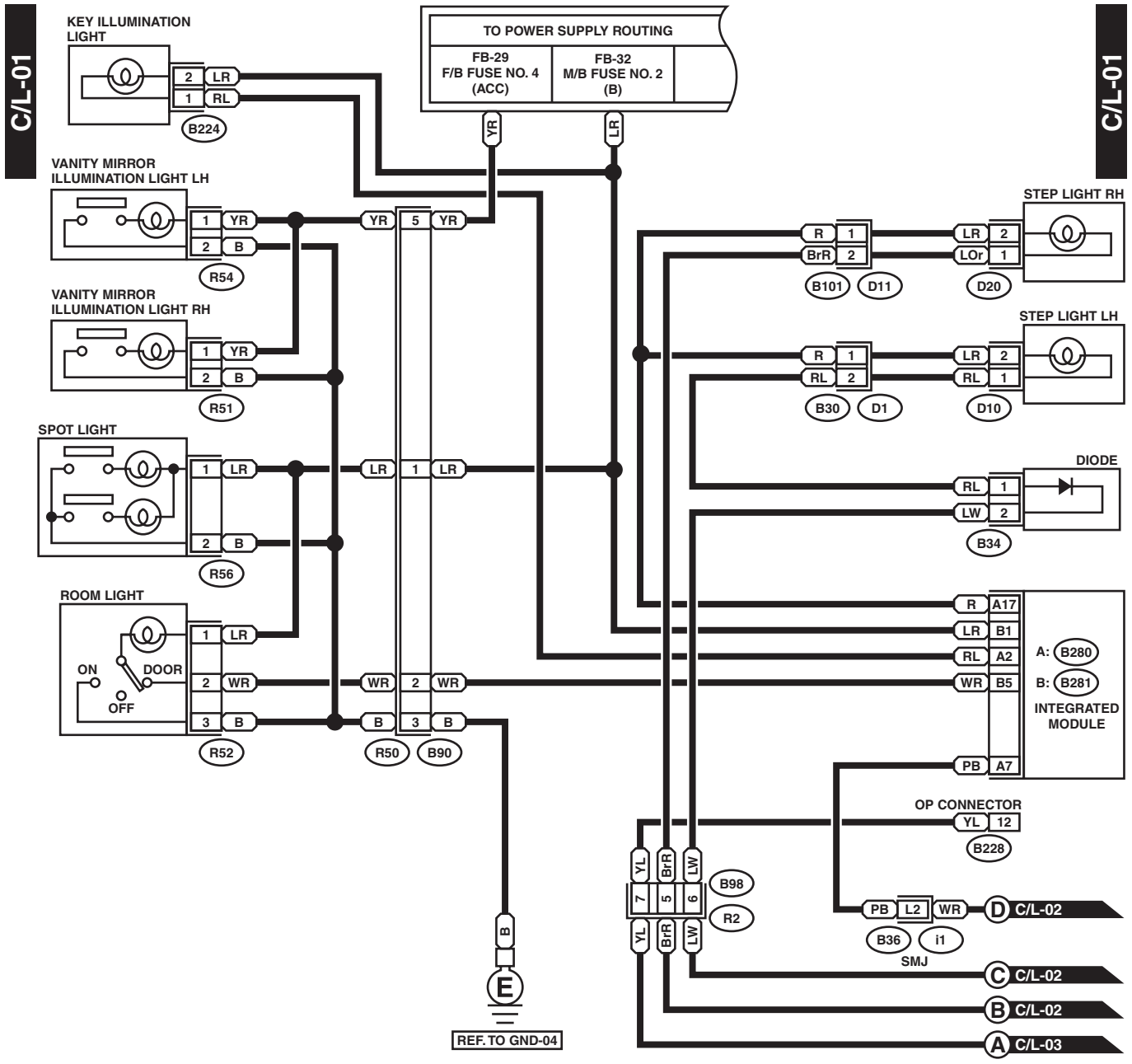


IN COMPARTMENT LIGHT SYSTEM

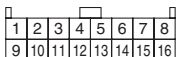
WIRING SYSTEM

28. In Compartment Light System

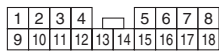
A: SCHEMATIC



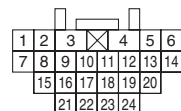
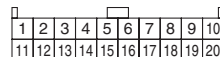
B: B281 (BLUE)



B98



A: B280 (GLAY)

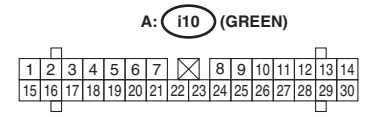
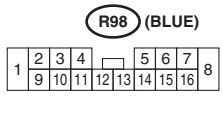
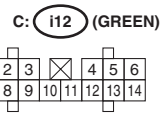
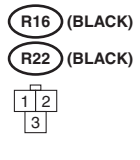
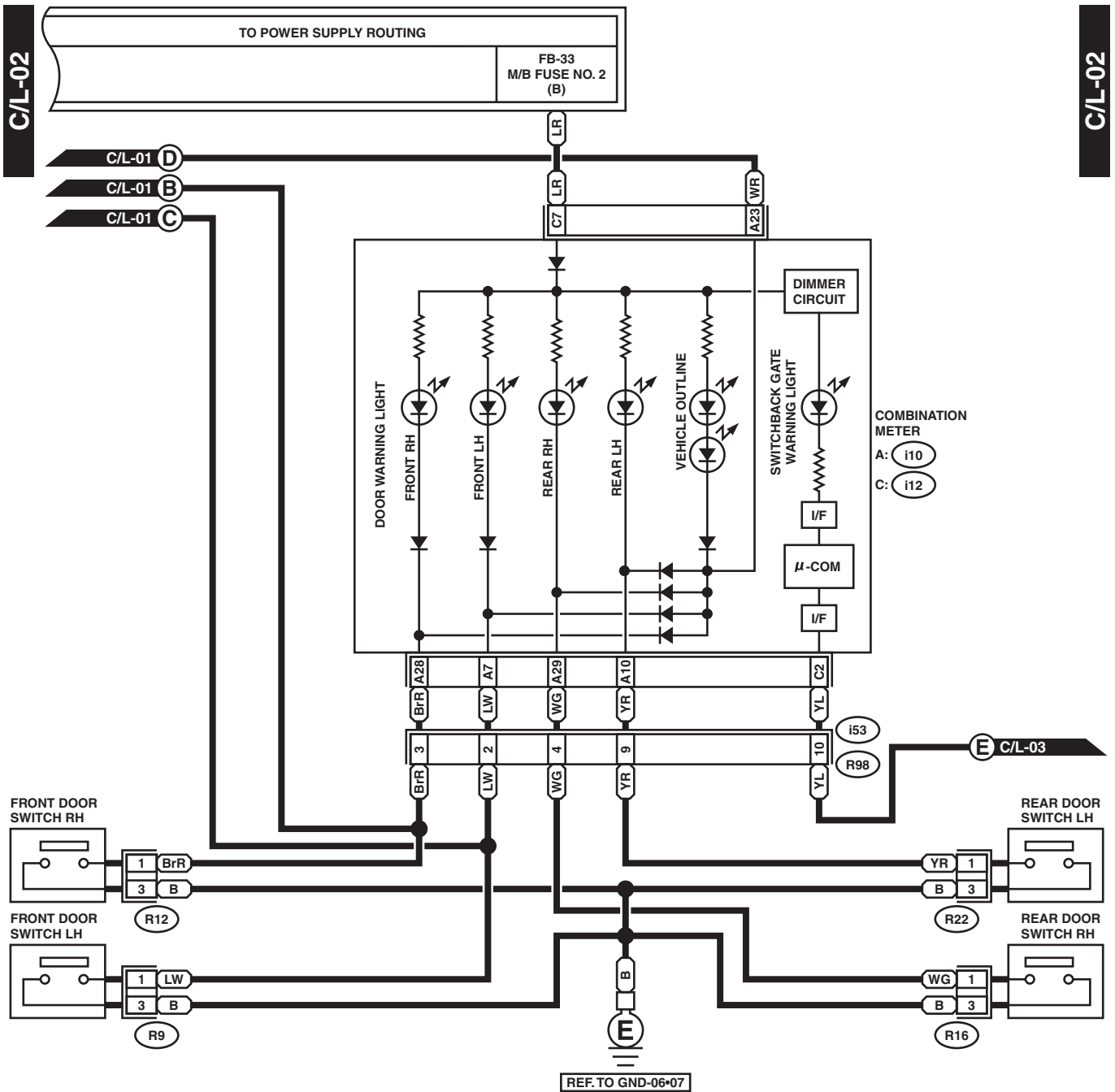


B101

WI-06809

IN COMPARTMENT LIGHT SYSTEM

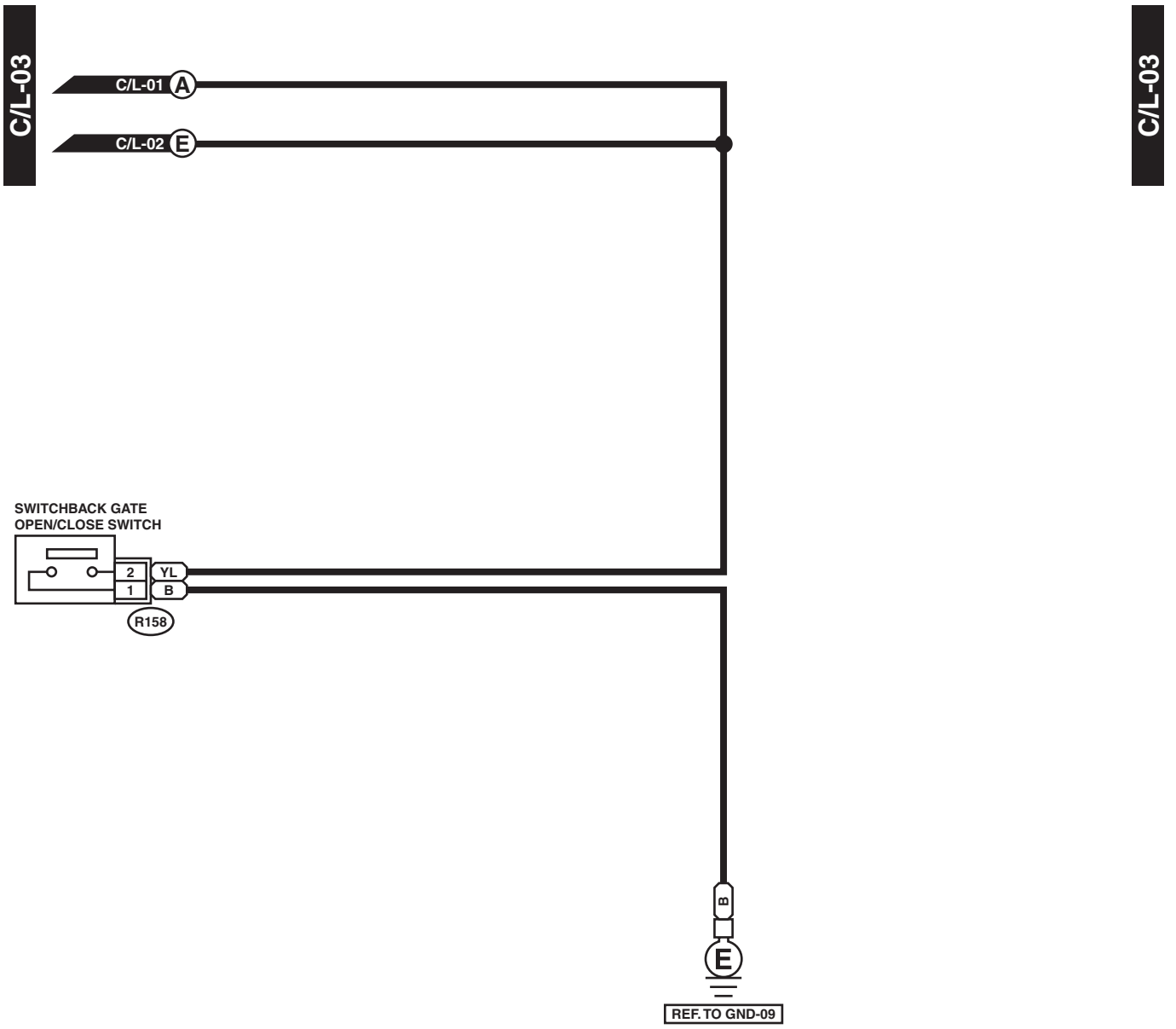
WIRING SYSTEM



WI-05760

IN COMPARTMENT LIGHT SYSTEM

WIRING SYSTEM



R158



WI-05761