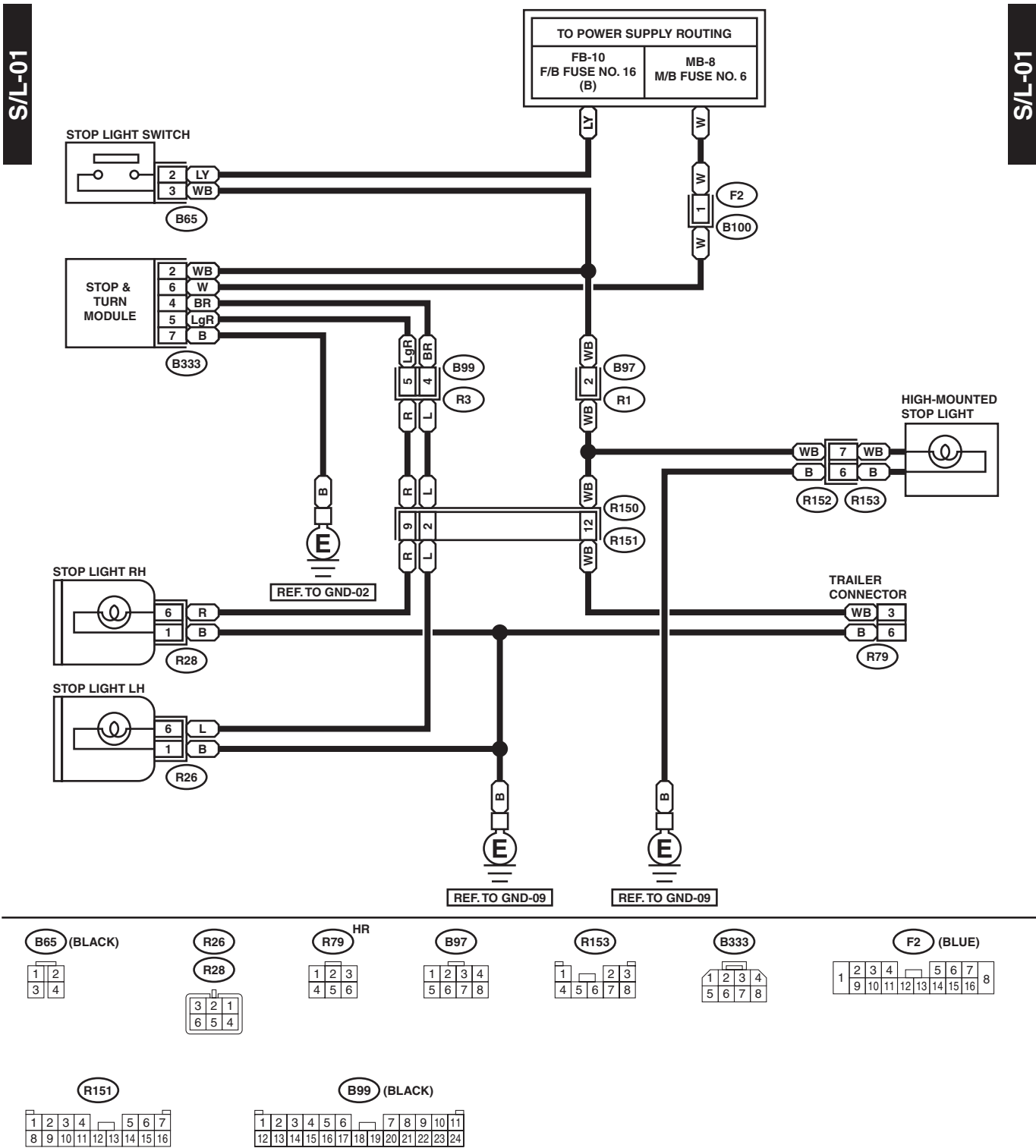


STOP LIGHT SYSTEM

WIRING SYSTEM

29. Stop Light System

A: SCHEMATIC



WI-06810