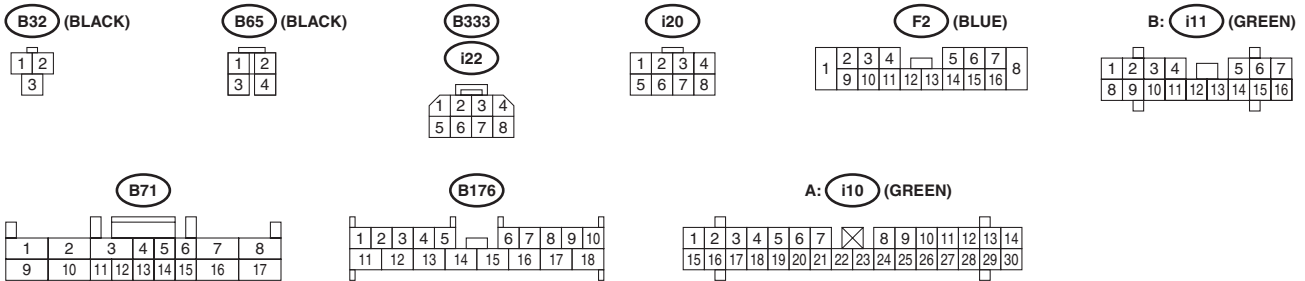
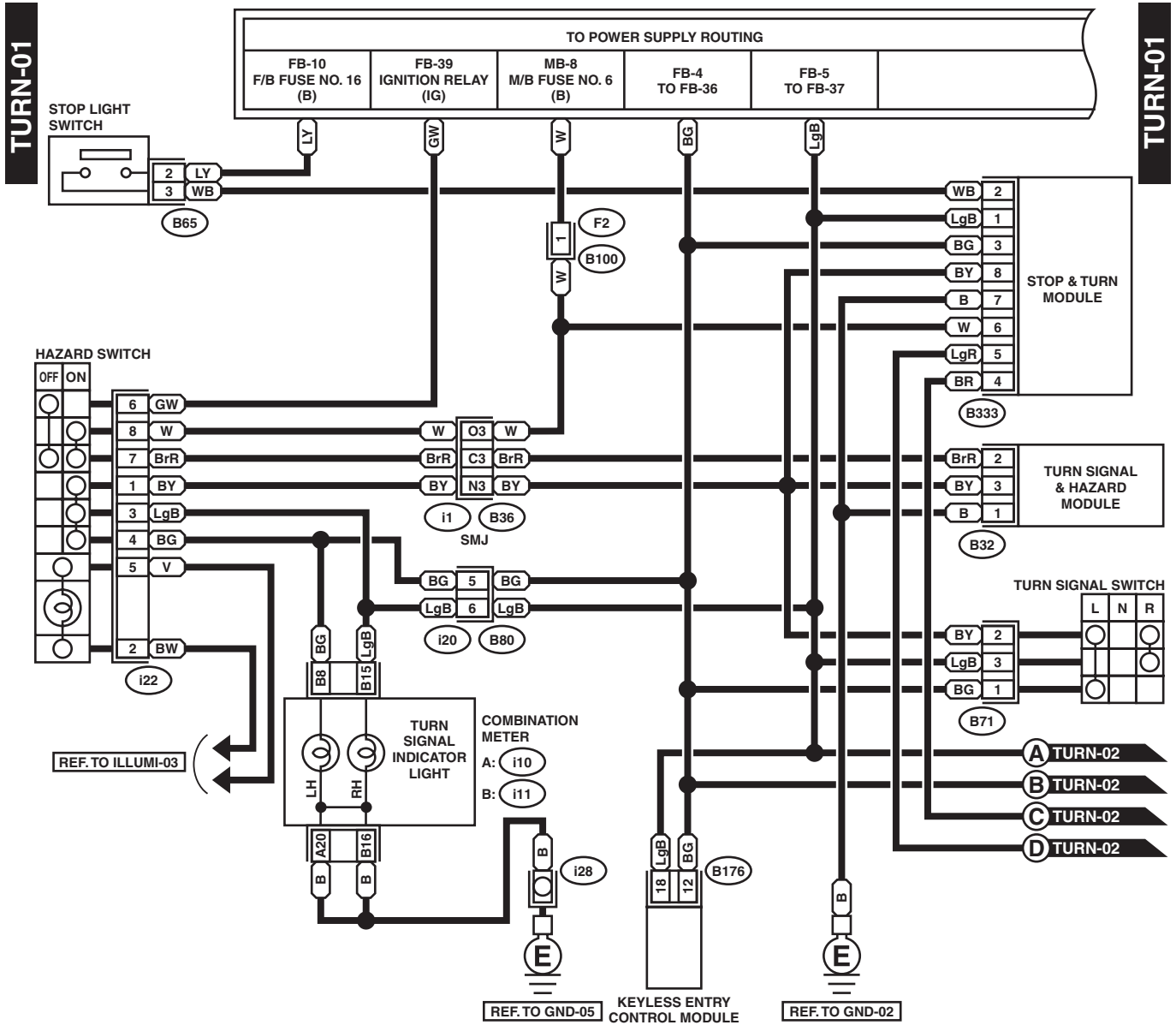


TURN SIGNAL LIGHT AND HAZARD LIGHT SYSTEM

WIRING SYSTEM

30. Turn Signal Light and Hazard Light System

A: SCHEMATIC



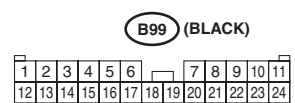
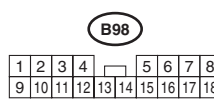
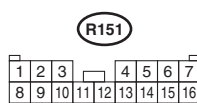
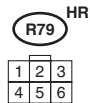
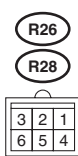
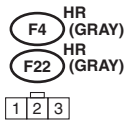
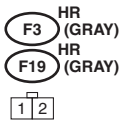
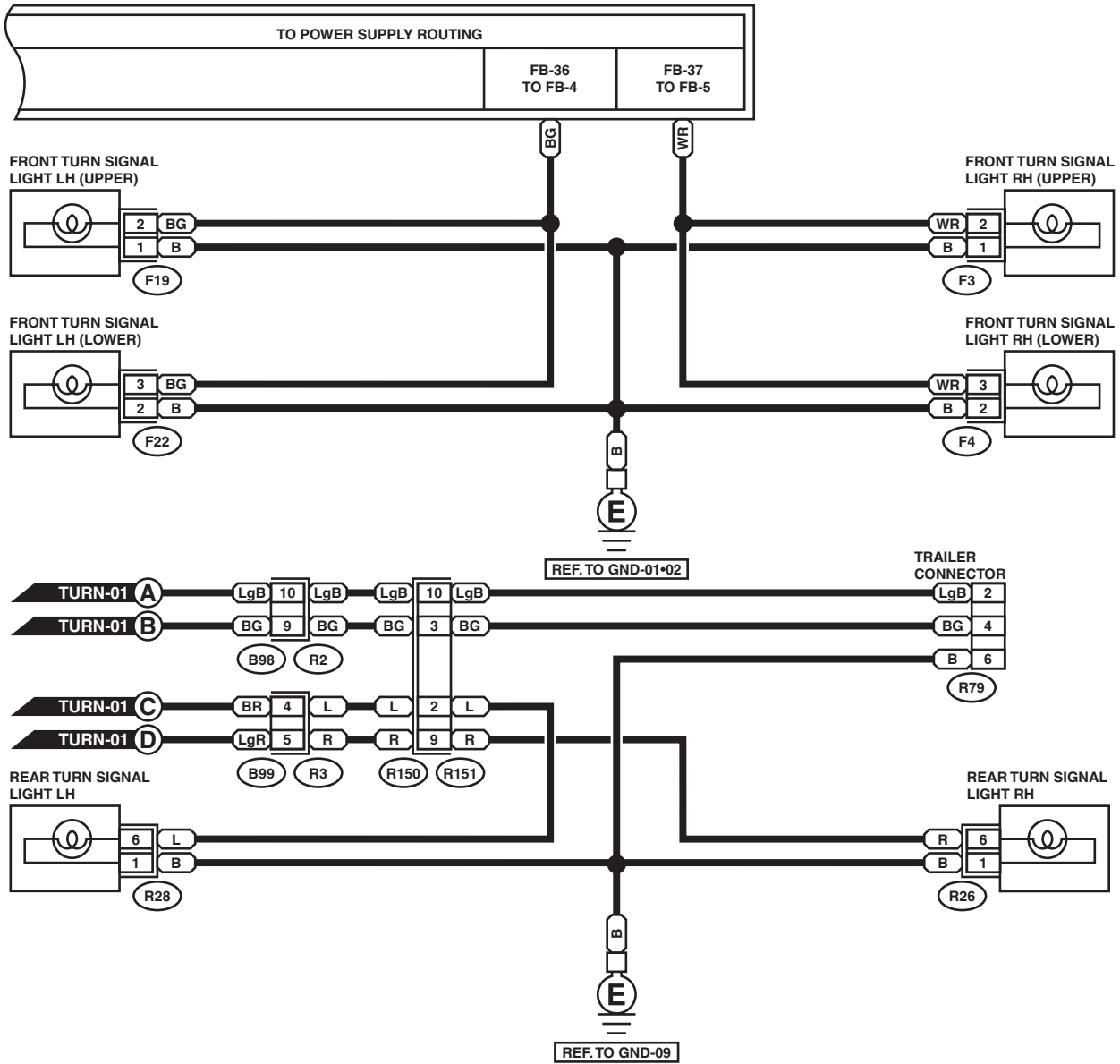
WI-05763

TURN SIGNAL LIGHT AND HAZARD LIGHT SYSTEM

WIRING SYSTEM

TURN-02

TURN-02



WI-06811