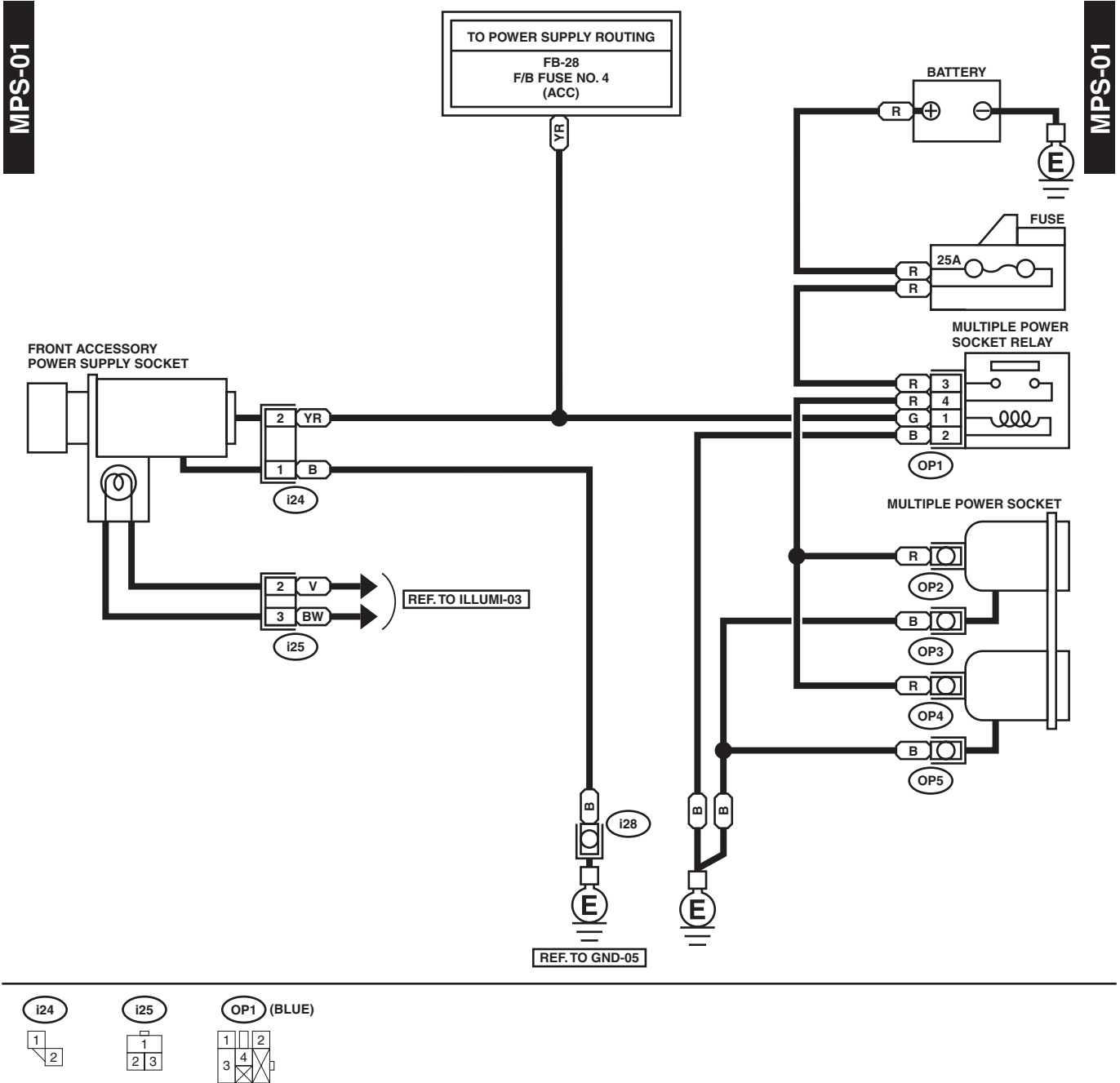


MULTIPLE POWER SOCKET SYSTEM (OPTION)

WIRING SYSTEM

31. Multiple Power Socket System (Option)

A: SCHEMATIC



WI-05765

MULTIPLE POWER SOCKET SYSTEM (OPTION)

WIRING SYSTEM

MEMO: