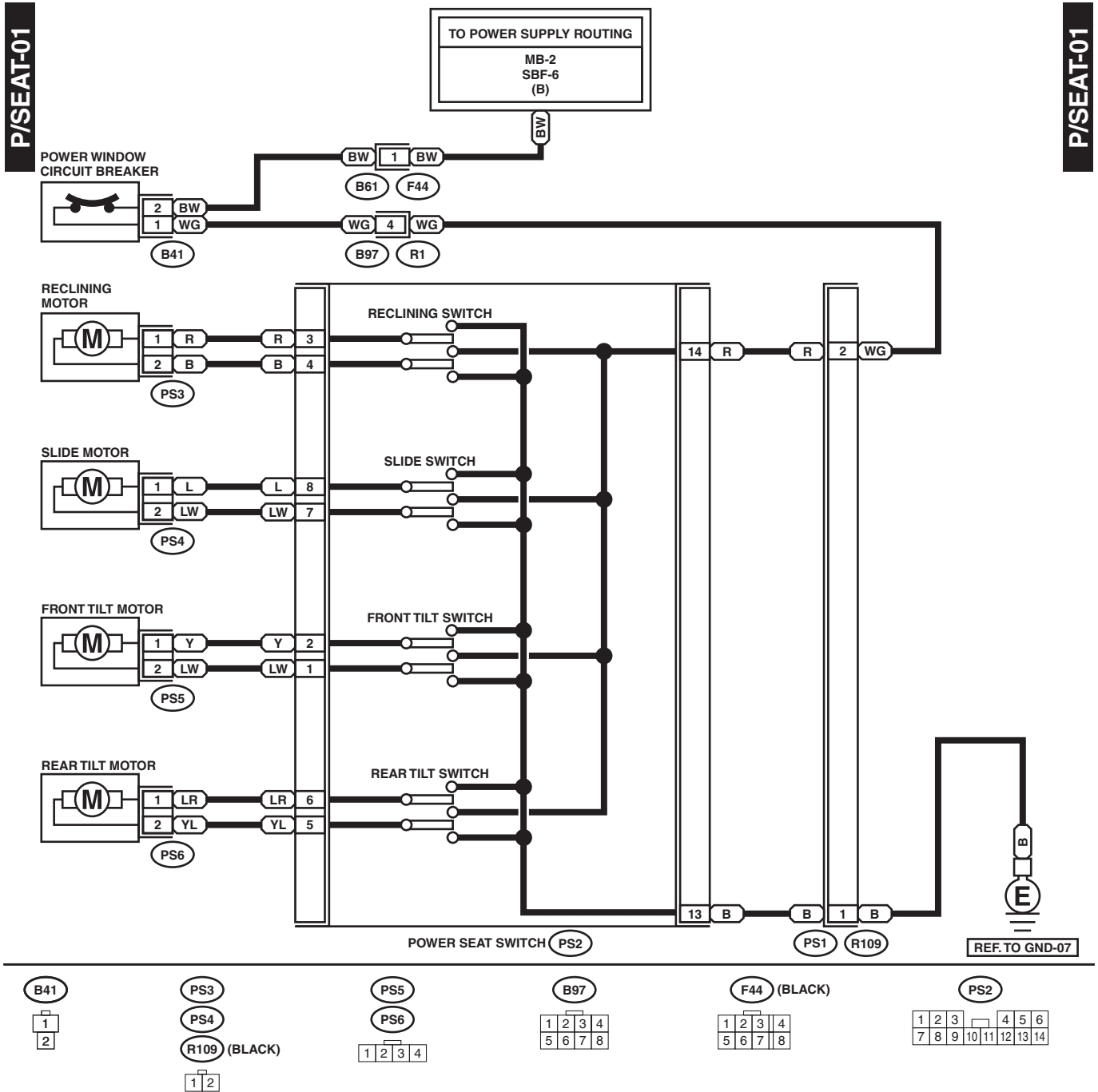


POWER SEAT SYSTEM

WIRING SYSTEM

35. Power Seat System

A: SCHEMATIC



WI-05855

MEMO: