

# POWER WINDOW SYSTEM

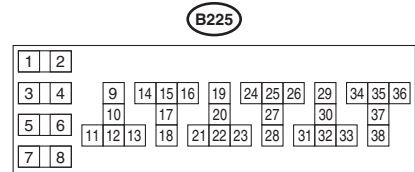
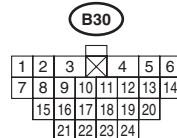
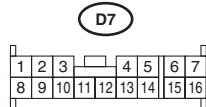
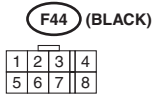
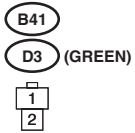
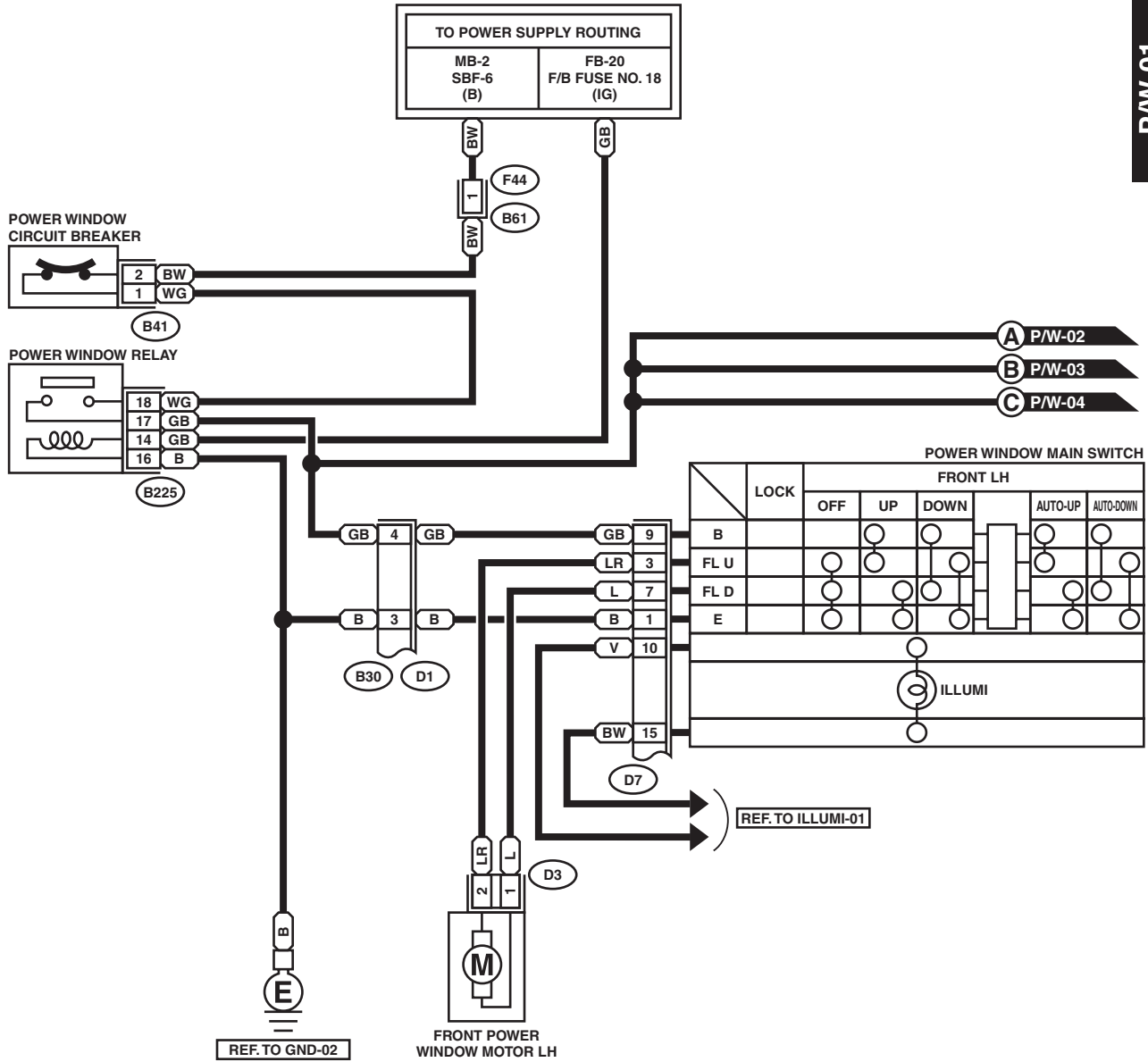
WIRING SYSTEM

## 36. Power Window System

### A: SCHEMATIC

P/W-01

P/W-01



RELAY BLOCK (BLACK)

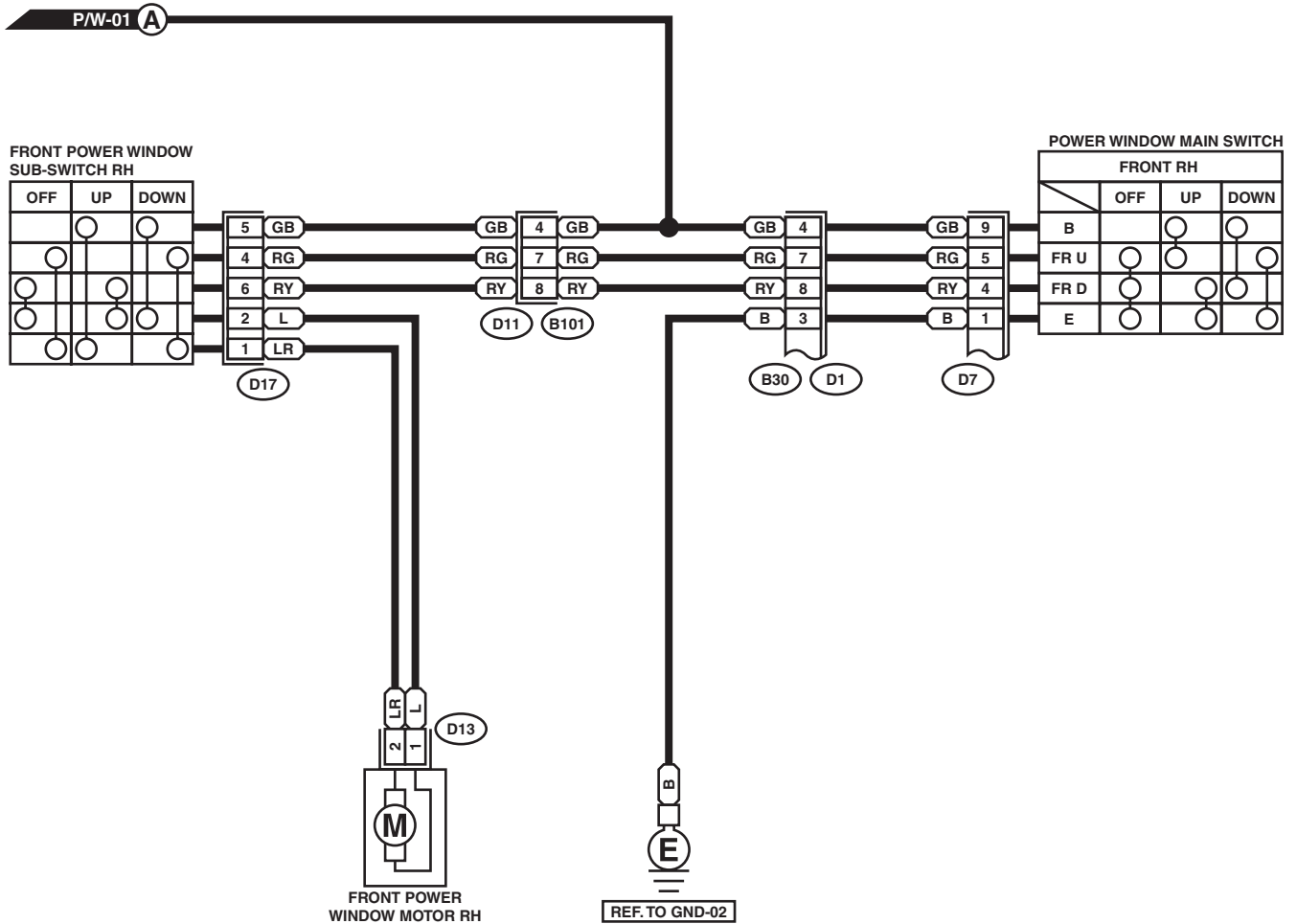
WI-05768

# POWER WINDOW SYSTEM

WIRING SYSTEM

P/W-02

P/W-02



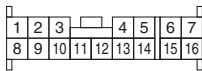
D13 (GREEN)



D17

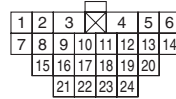


D7



B30

B101



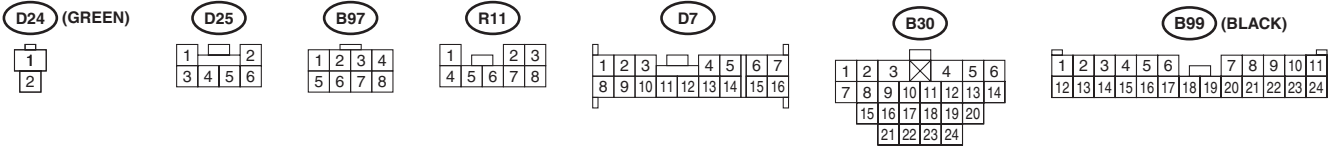
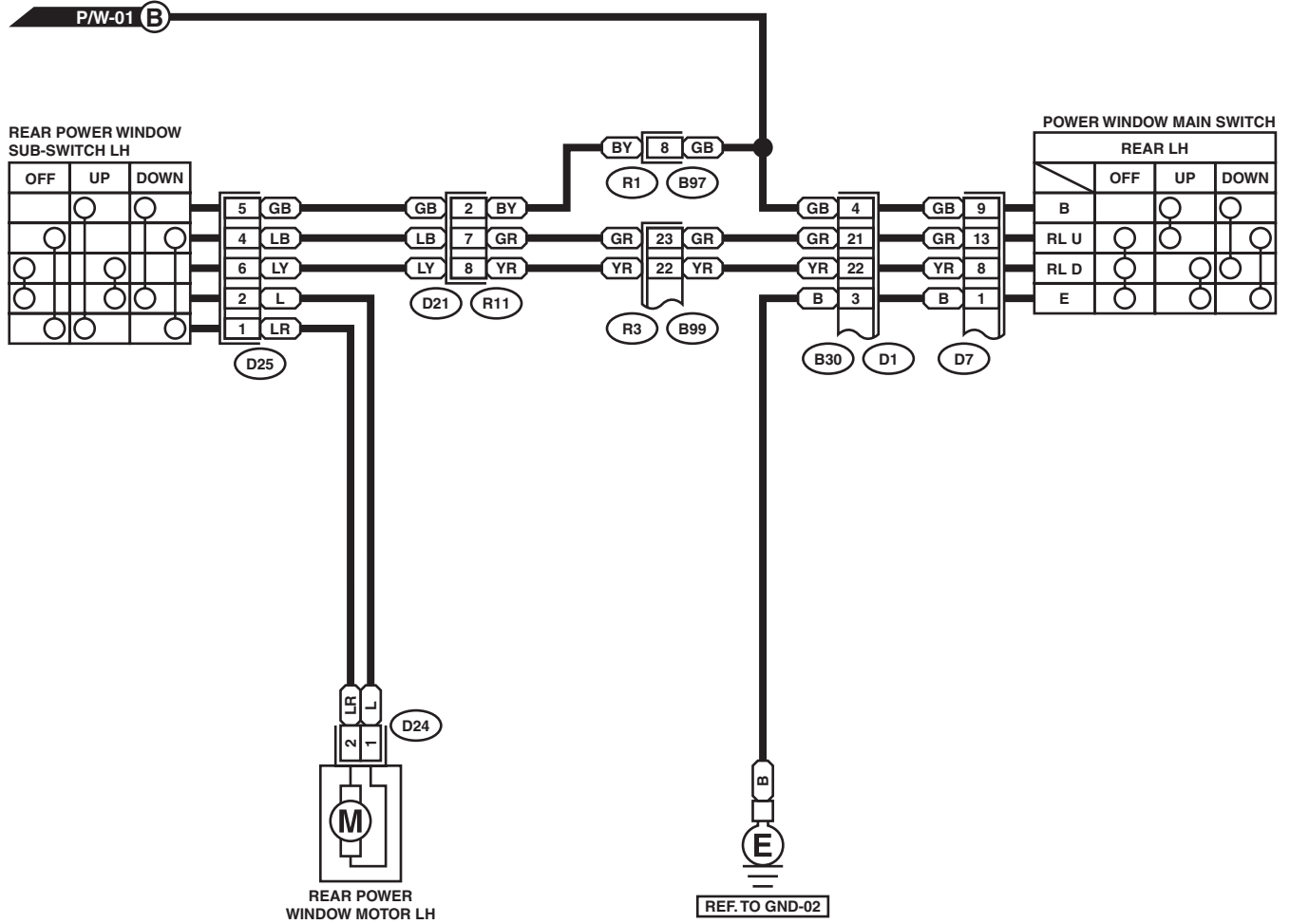
WI-00678

# POWER WINDOW SYSTEM

WIRING SYSTEM

P/W-03

P/W-03



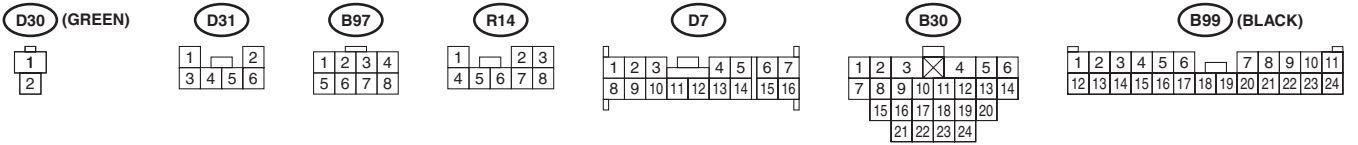
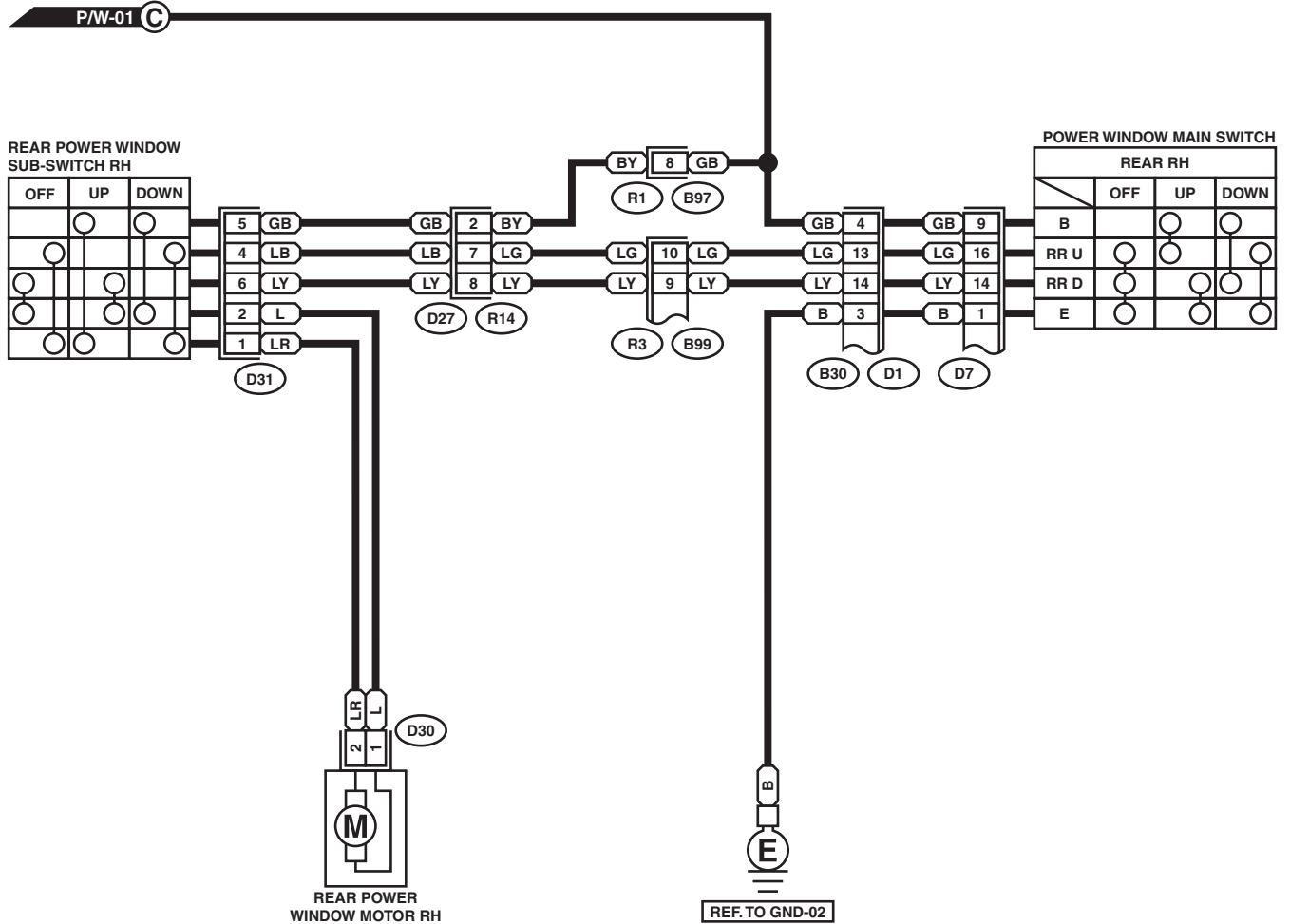
WI-05856

# POWER WINDOW SYSTEM

WIRING SYSTEM

P/W-04

P/W-04



WI-05857