

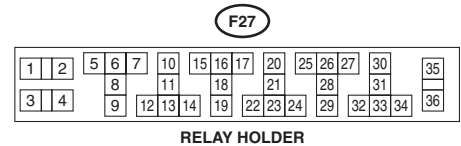
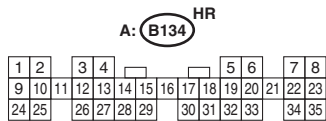
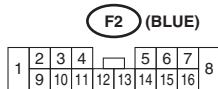
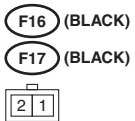
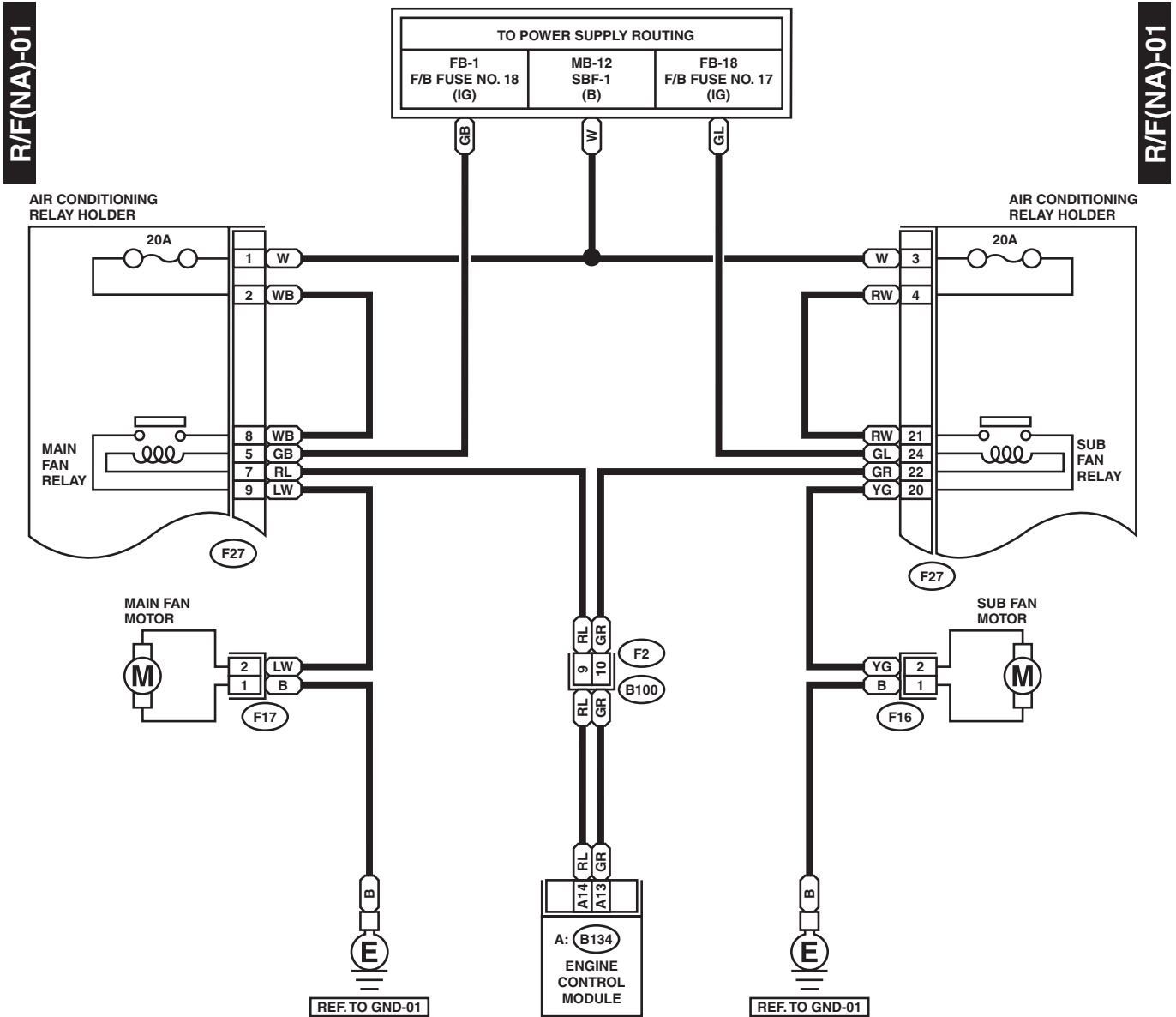
# RADIATOR FAN SYSTEM

WIRING SYSTEM

## 37. Radiator Fan System

### A: SCHEMATIC

#### 1. NON-TURBO ENGINE MODEL

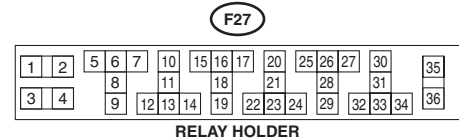
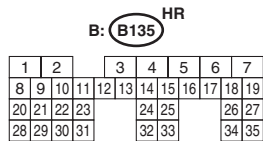
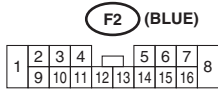
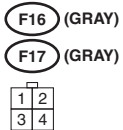
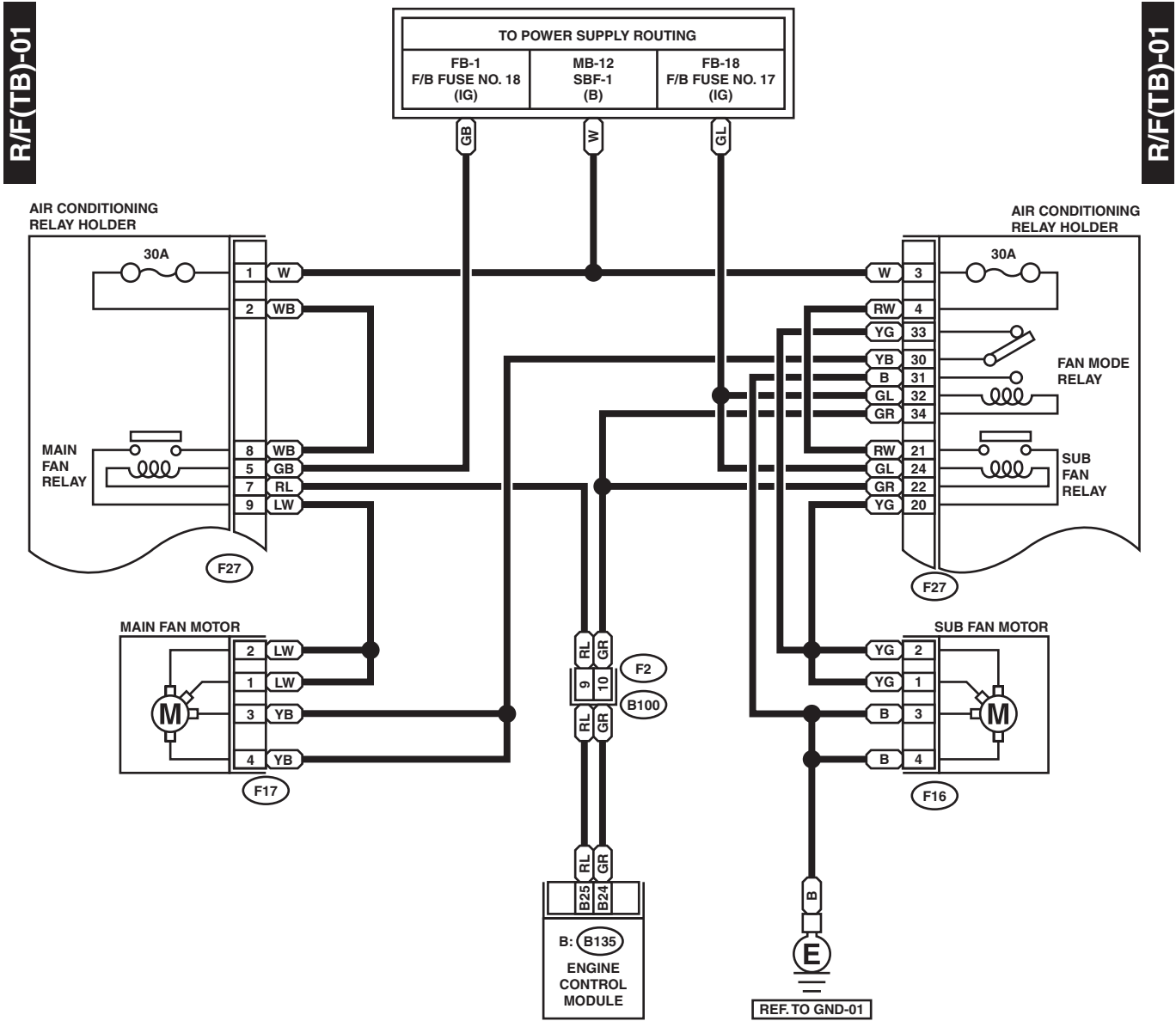


WI-06815

# RADIATOR FAN SYSTEM

WIRING SYSTEM

## 2. TURBO ENGINE MODEL



WI-06816