

POWER SUPPLY ROUTING

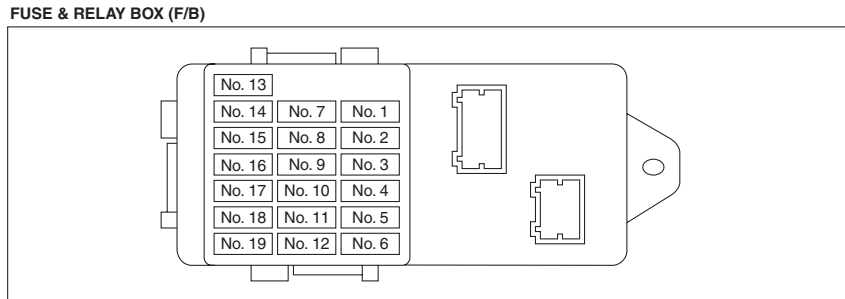
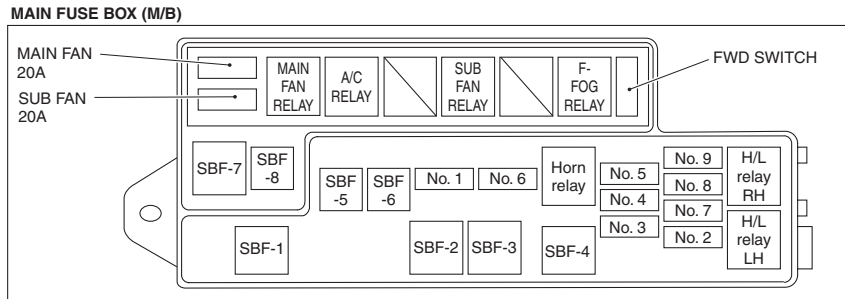
WIRING SYSTEM

4. Power Supply Routing

A: SCHEMATIC

P-SUP-01

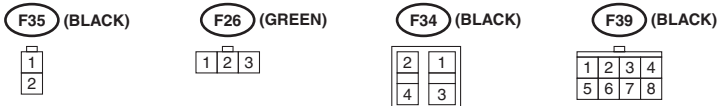
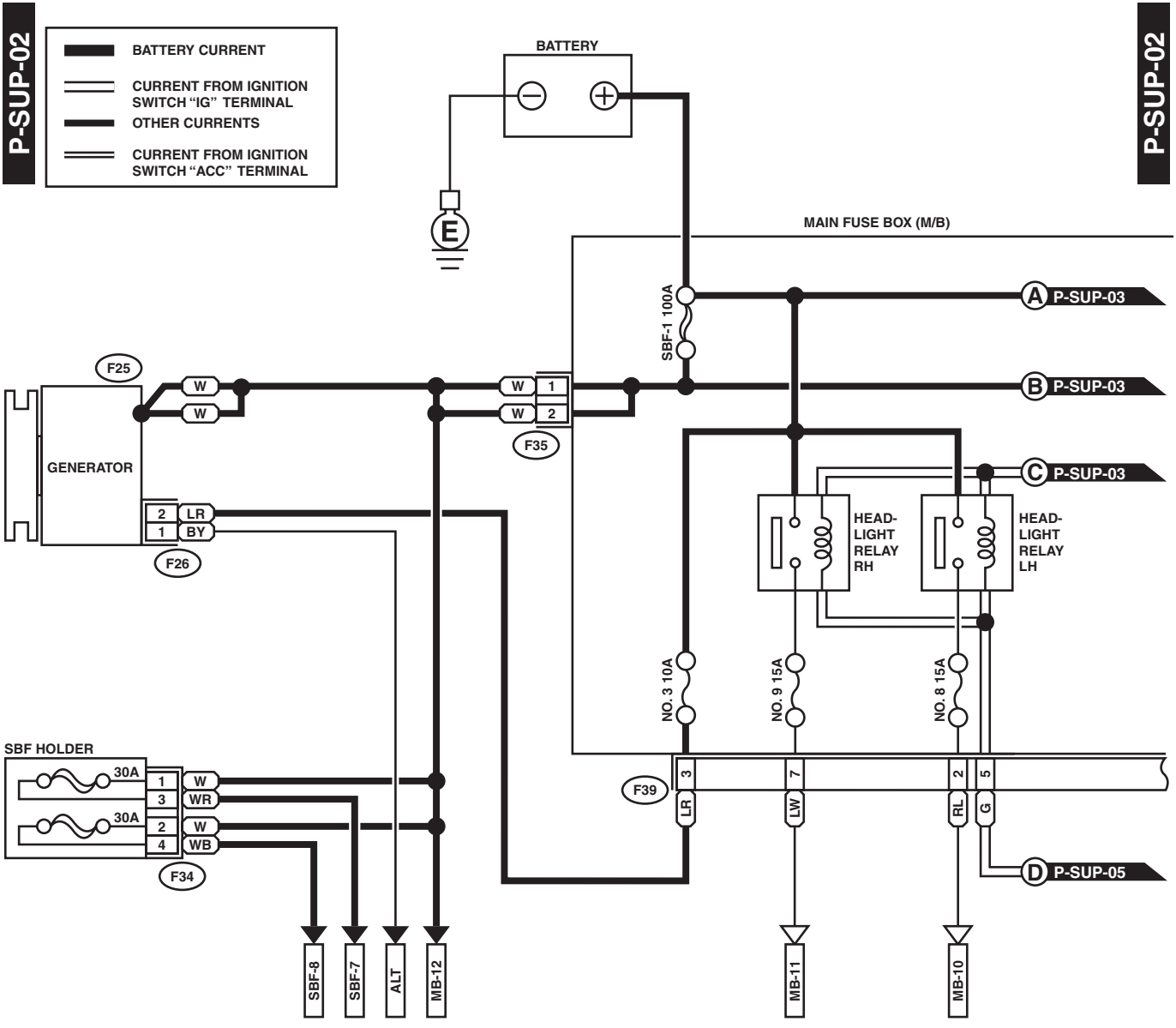
P-SUP-01



WI-05686

POWER SUPPLY ROUTING

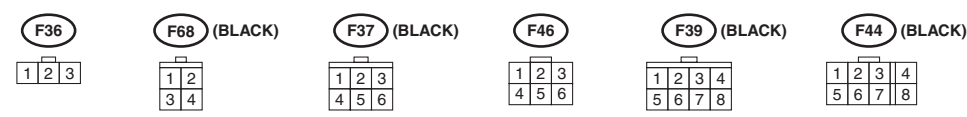
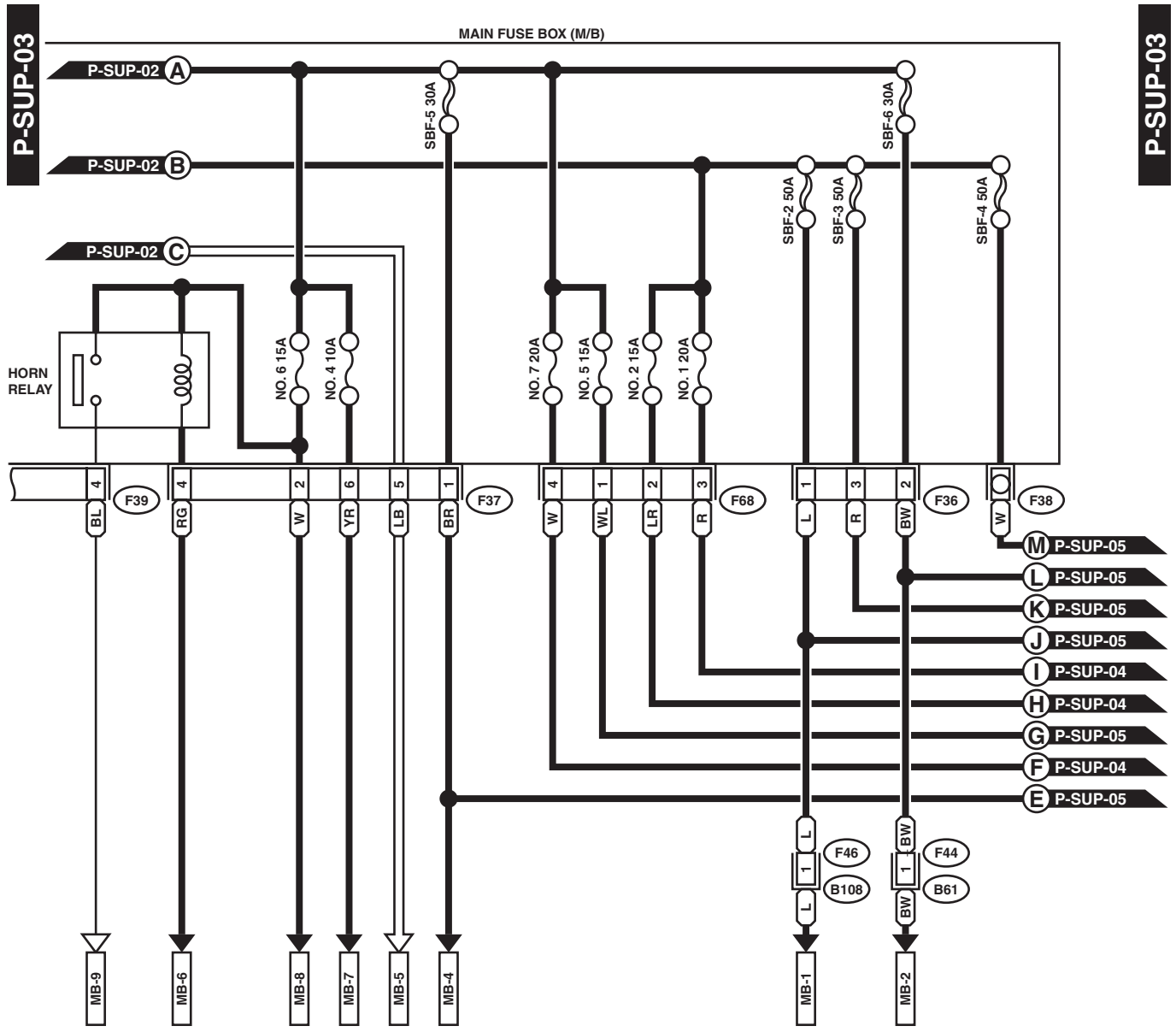
WIRING SYSTEM



WI-05687

POWER SUPPLY ROUTING

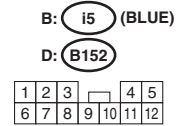
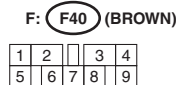
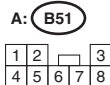
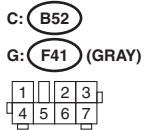
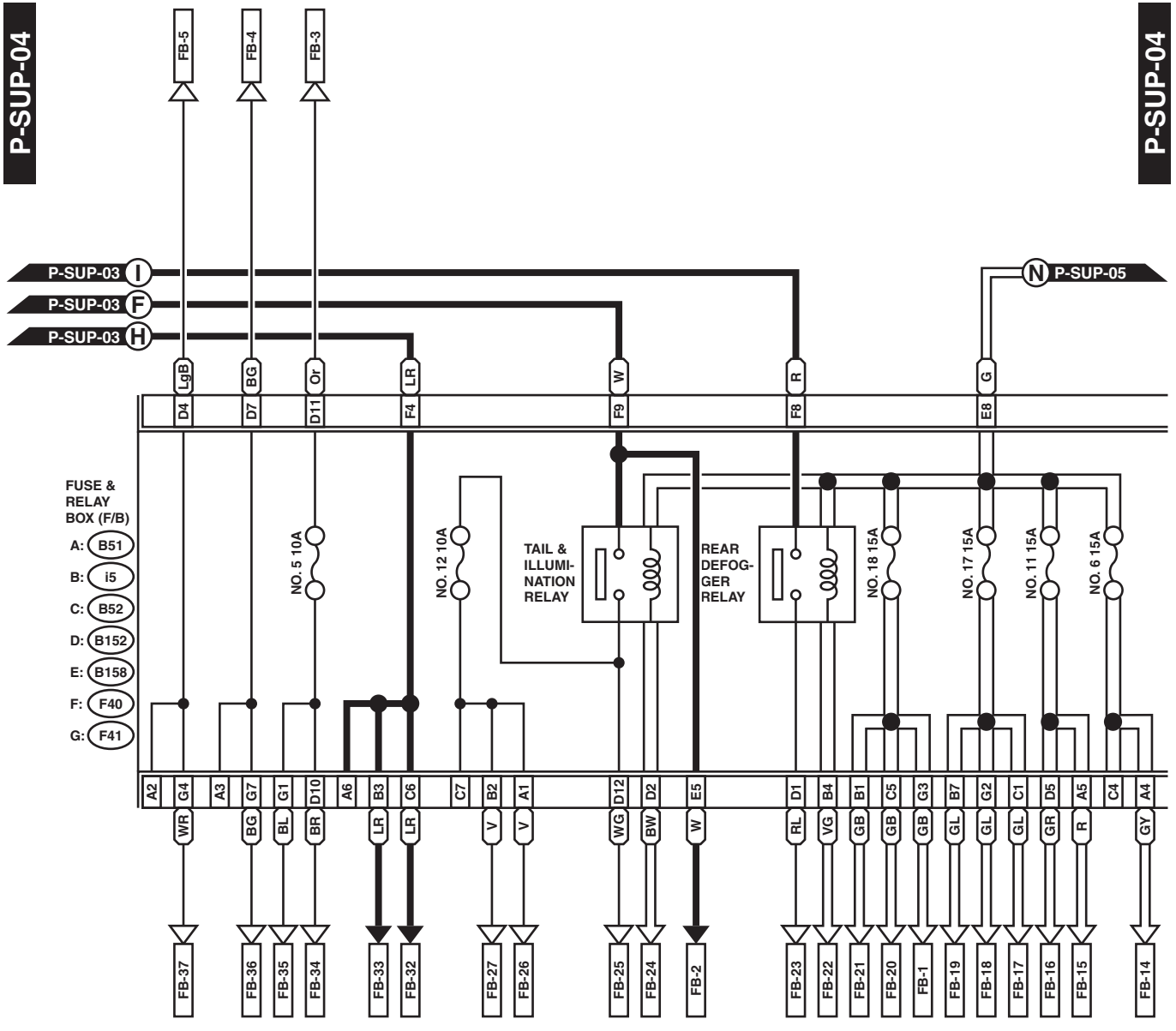
WIRING SYSTEM



WI-05688

POWER SUPPLY ROUTING

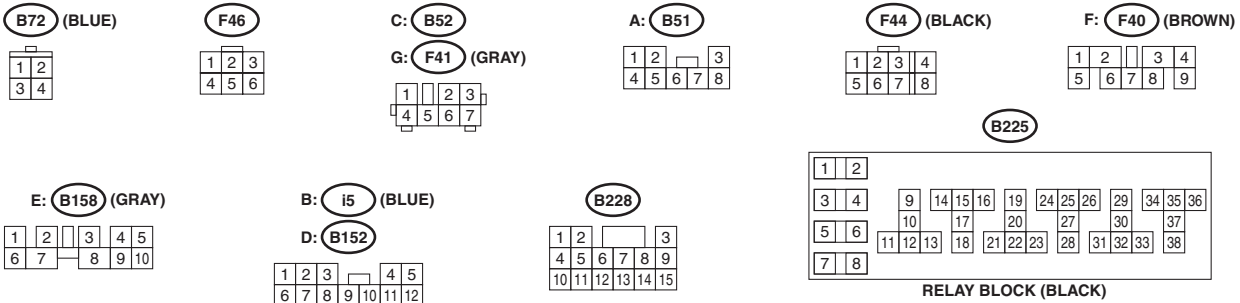
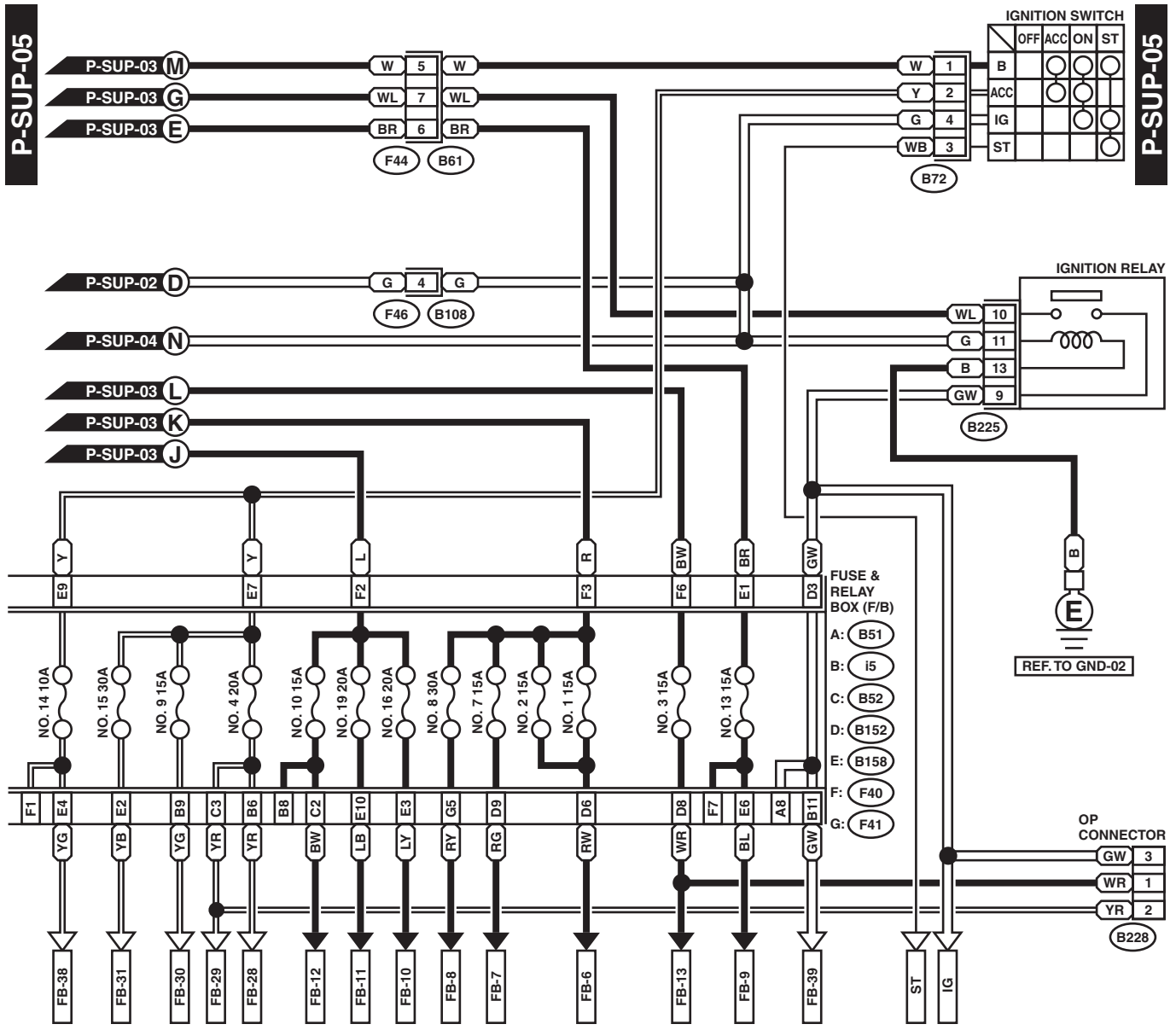
WIRING SYSTEM



WI-05689

POWER SUPPLY ROUTING

WIRING SYSTEM



WI-05690

POWER SUPPLY ROUTING

WIRING SYSTEM

No.	Load
MB-1	Fuse (Seat heater/rear accessory power supply relay)
MB-2	Power window circuit breaker
MB-4	Data link connector Engine control module Main relay
MB-5	Cruise control sub switch Day time running light control module OP connector
MB-6	Horn switch Keyless entry control module Security horn relay SPORT shift switch
MB-7	Transmission control module (AT)
MB-8	Hazard switch Keyless entry control module Key warning switch Stop & turn module
MB-9	Horn
MB-10	Headlight LH
MB-11	Combination meter Headlight RH
MB-12	A/C relay holder SBF holder
SBF-7	ABS control module
SBF-8	Oxygen sensor heater relay
ALT	Combination meter OP connector
IG	Check connector Ignition relay-2 Keyless entry control module OP connector Security control module Vehicle speed sensor (MT)
ST	Cruise control module Engine control module (AT) Inhibitor switch (AT) Interrupt relay Starter interlock relay
FB-1	ABS control module Main fan relay
FB-2	Parking switch Security control module
FB-3	Parking switch Security control module
FB-4	Combination meter Combination switch (Lighting) Hazard switch Keyless entry control module Rear combination light Stop & turn module
FB-5	Combination meter Combination switch (Lighting) Keyless entry control module Rear combination light Stop & turn module
FB-6	Blower motor relay

No.	Load
FB-7	Front fog light relay
FB-8	ABS control module
FB-9	Fuel pump relay
FB-10	Stop light switch
FB-11	Cargo Light SPORT light relay Wiper deicer relay
FB-12	Trailer connector
FB-13	Integrated module Keyless buzzer Keyless entry control module OP connector
FB-14	Airbag control module
FB-15	Airbag control module
FB-16	Daytime running light control module Daytime running light relay Engine control module Fuel pump relay Ignition coil and ignitor Integrated module Transmission control module
FB-17	A/C pressure switch Blower motor relay
FB-18	A/C relay Sub fan relay
FB-19	Manual A/C control module
FB-20	Back-up light switch (MT) Cruise control module Inhibitor switch (AT) Power window relay
FB-21	Cruise control main switch
FB-22	Engine control module Manual A/C control module
FB-23	Choke coil Rear defogger Rear defogger condenser
FB-24	Combination switch (Lighting) Engine control module OP connector
FB-25	Parking switch
FB-26	AT select lever illumination light Integrated module OP connector Power window main switch Seat heater switch
FB-27	Audio Ashtray illumination light SPORT light switch CD illumination light Cigar lighter illumination light Front fog switch Globe box light Hazard switch Manual A/C control module Wiper deicer switch
FB-28	Front accessory power supply socket Multiple power socket relay (Option)

POWER SUPPLY ROUTING

WIRING SYSTEM

No.	Load
FB-29	Compass mirror Integrated module Mirror heater LH Mirror heater RH OP connector Rear accessory power supply relay Remote control rearview mirror switch Vanity mirror illumination light
FB-30	Audio
FB-31	Combination switch (Washer) Front washer motor Front wiper motor
FB-32	Combination meter Integrated module Key illumination light Key warning and step light diode Room light Security control module Security horn relay Stop light Step light
FB-33	Audio Combination meter
FB-34	License plate light LH License plate light RH Rear combination light LH Rear combination light RH Rear finisher light LH Rear finisher light RH Trailer connector
FB-35	Front clearance light LH Front clearance light RH
FB-36	Front turn signal light LH (Up, Lo)
FB-37	Front turn signal light RH (Up, Lo)
FB-39	Combination meter Hazard switch

MEMO: