

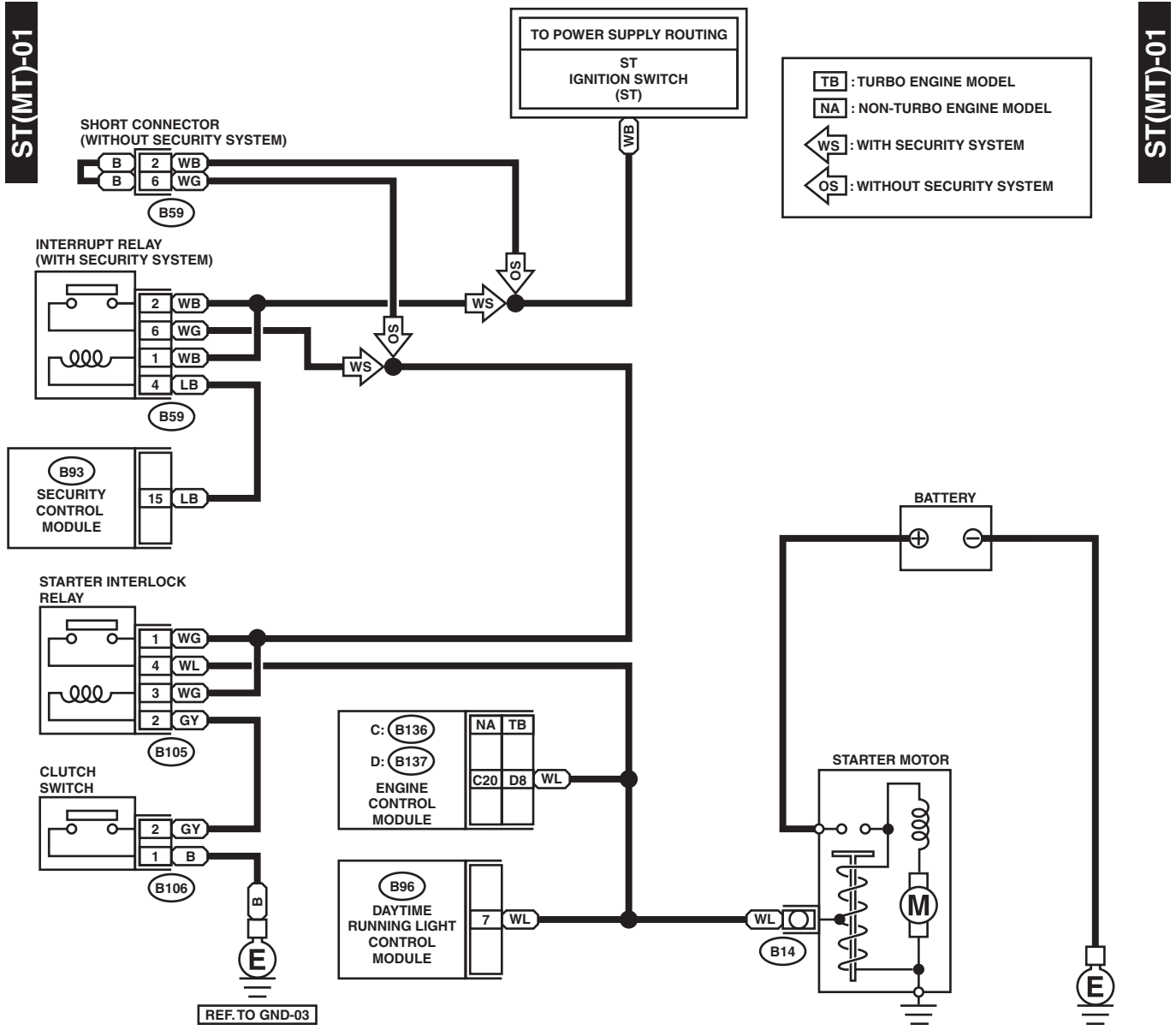
STARTER SYSTEM

WIRING SYSTEM

44. Starter System

A: SCHEMATIC

1. MT MODEL



B106

B105

B59

B96

B93

C: B136 HR

1
2

1	2	3
2	3	4

1	2	3
4	5	6

1	2	3	4	5	6	7	8
---	---	---	---	---	---	---	---

1	2	3	4	5	6	7	8	9	10
11	12	13	14	15	16	17	18		

1	2	3	4	5	6					
7	8	9	10	11	12	13	14	15	16	17
18	19	20	21	22	23	24	25	26		

D: 137 HR

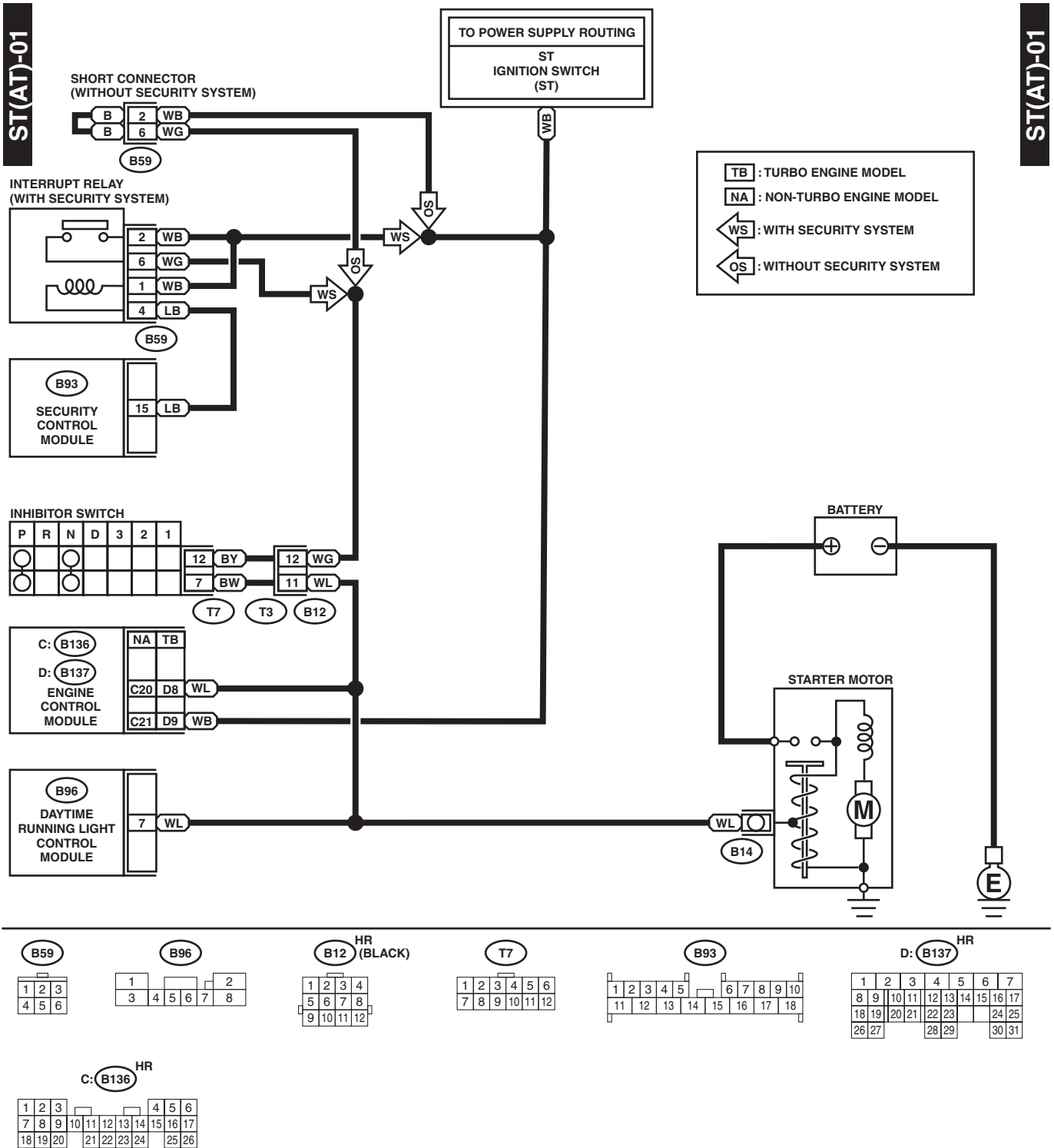
1	2	3	4	5	6	7			
8	9	10	11	12	13	14	15	16	17
18	19	20	21	22	23	24	25		
26	27		28	29	30	31			

WI-06820

STARTER SYSTEM

WIRING SYSTEM

2. AT MODEL



WI-06821