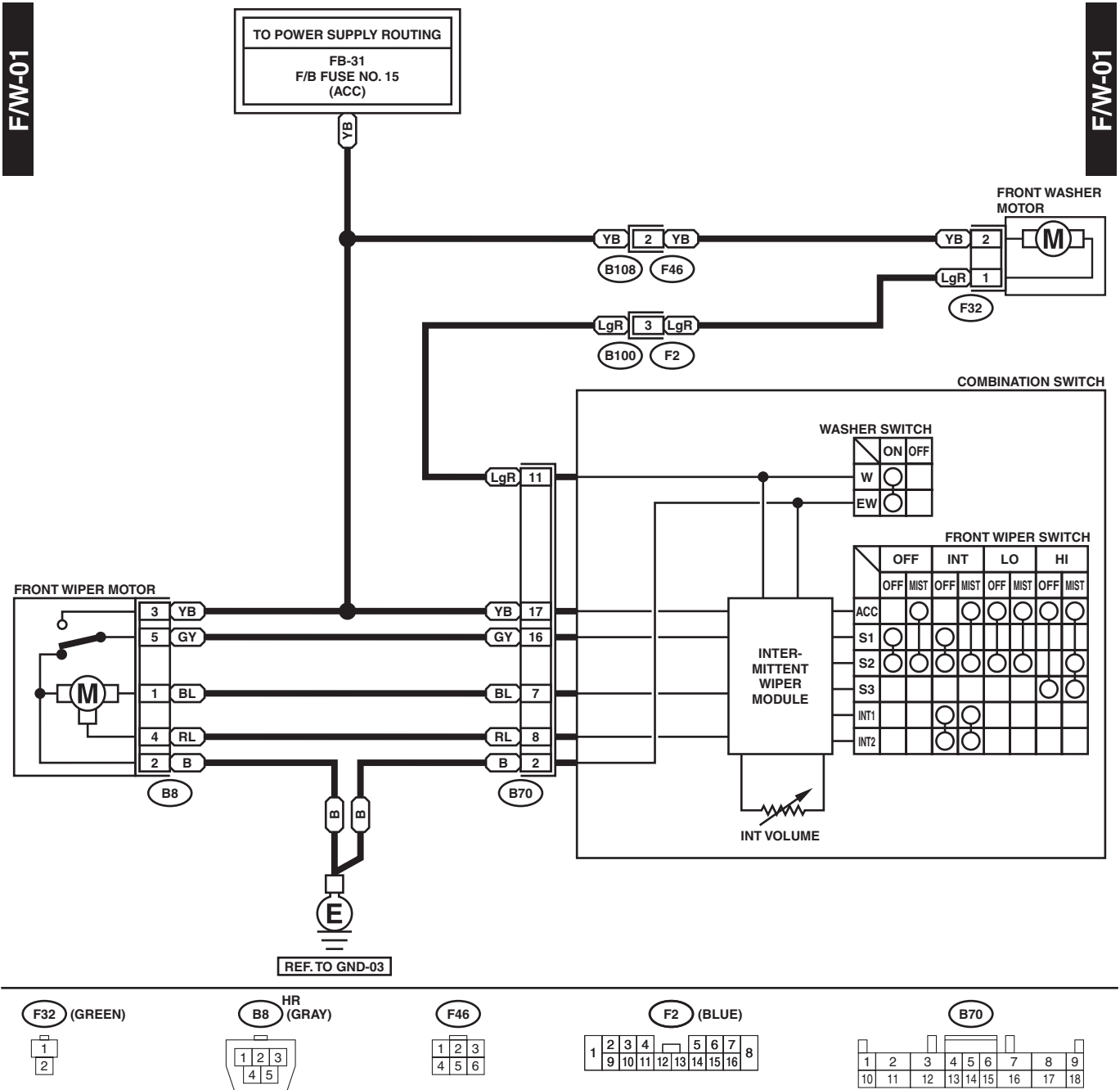


WIPER AND WASHER SYSTEM (FRONT)

WIRING SYSTEM

47. Wiper and Washer System (Front)

A: SCHEMATIC



WI-06823