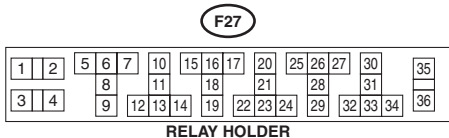
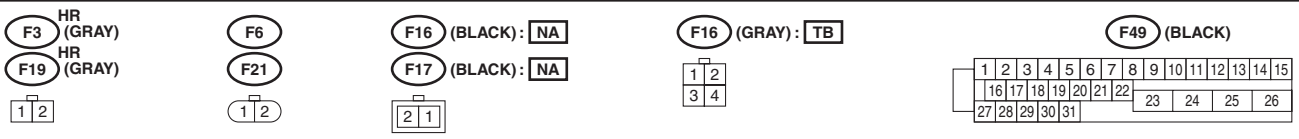
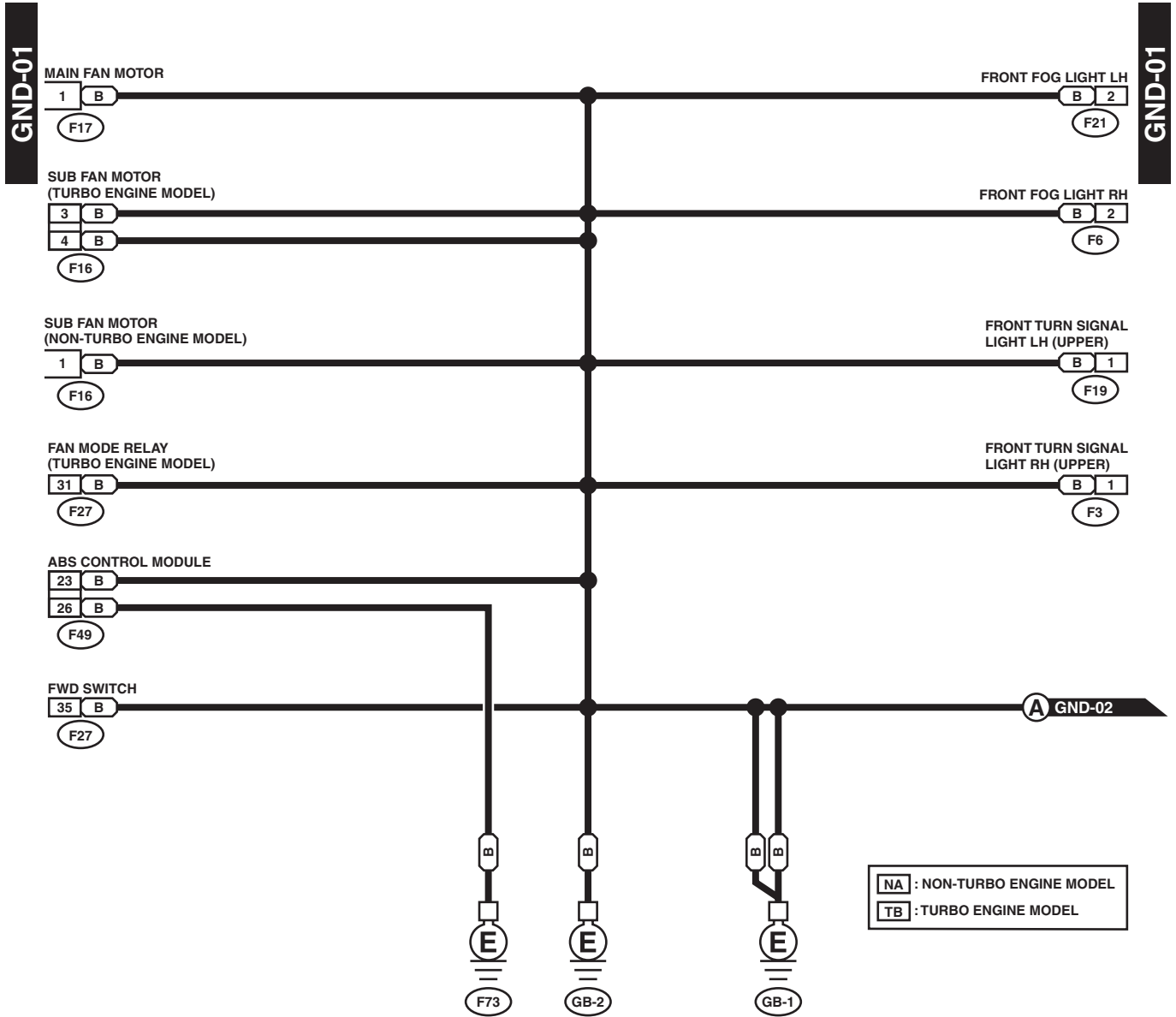


GROUND DISTRIBUTION

WIRING SYSTEM

5. Ground Distribution

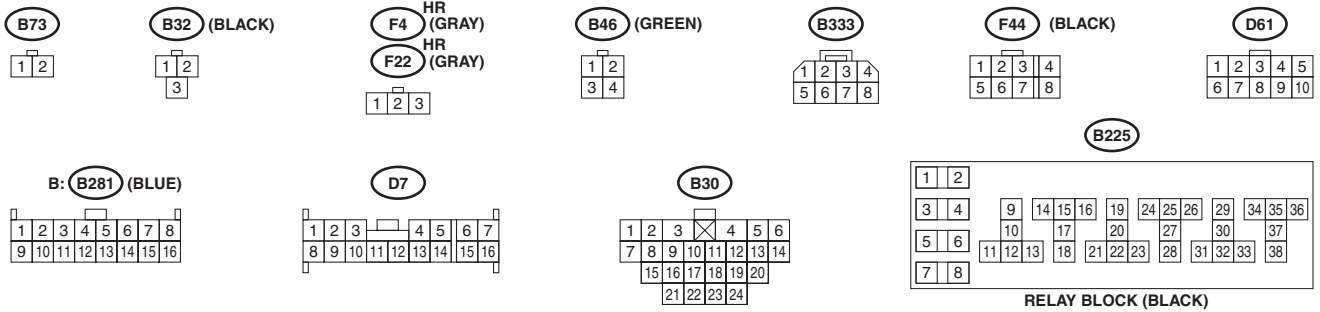
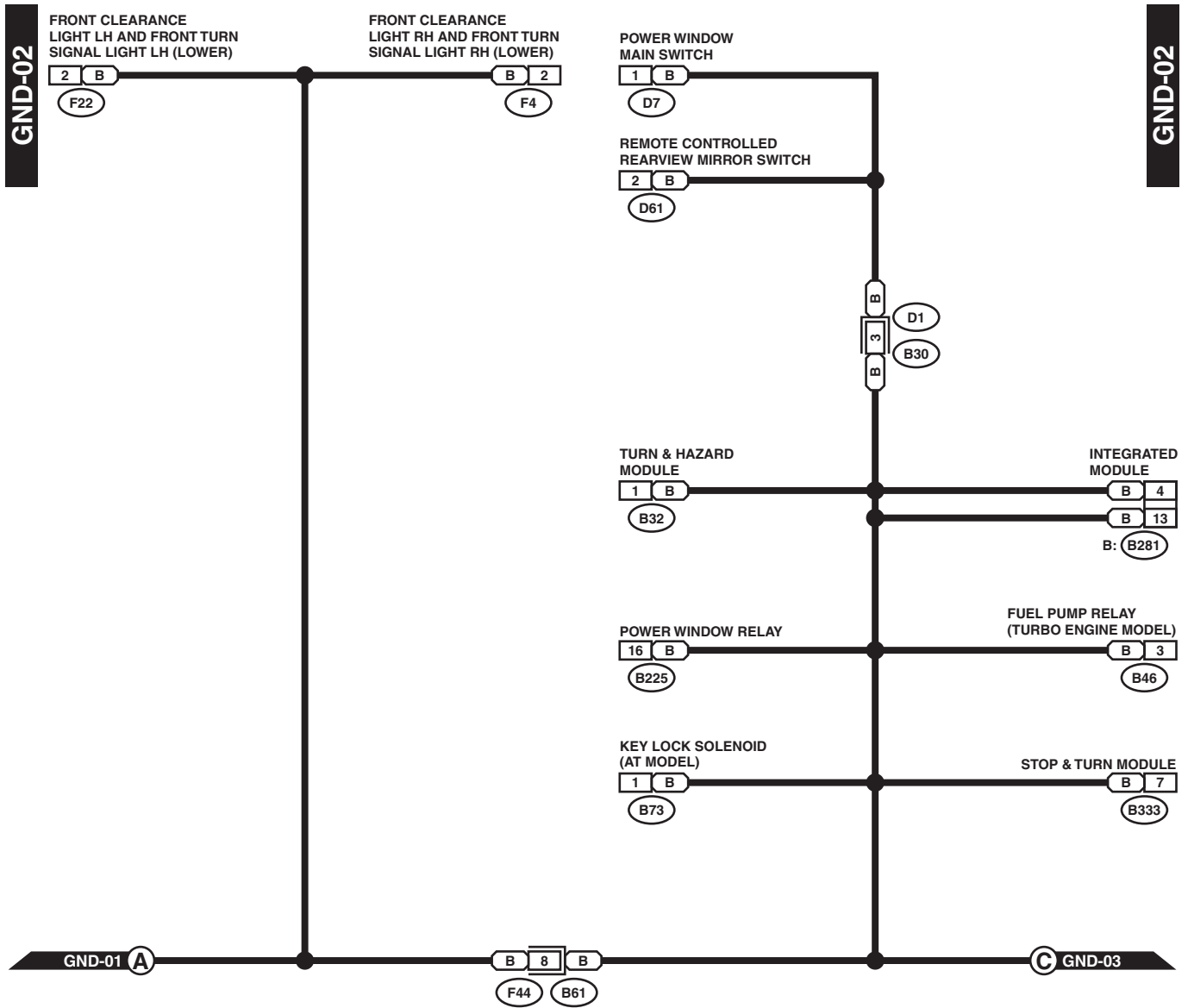
A: SCHEMATIC



WI-06751

GROUND DISTRIBUTION

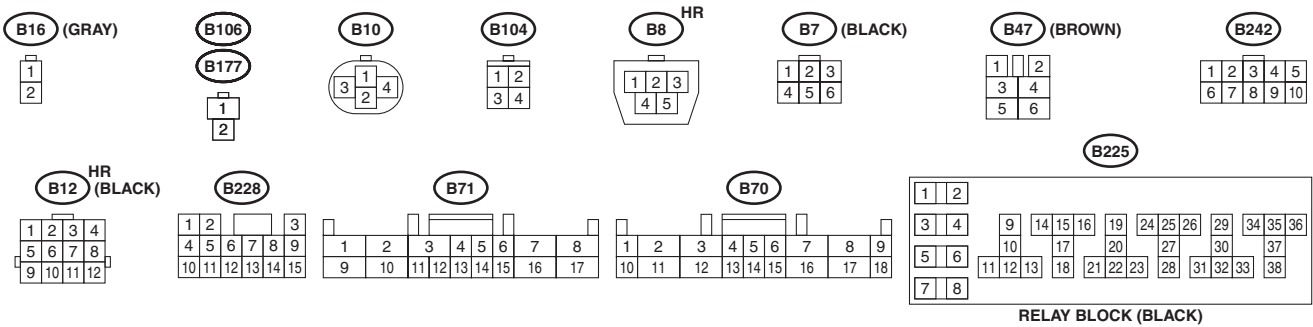
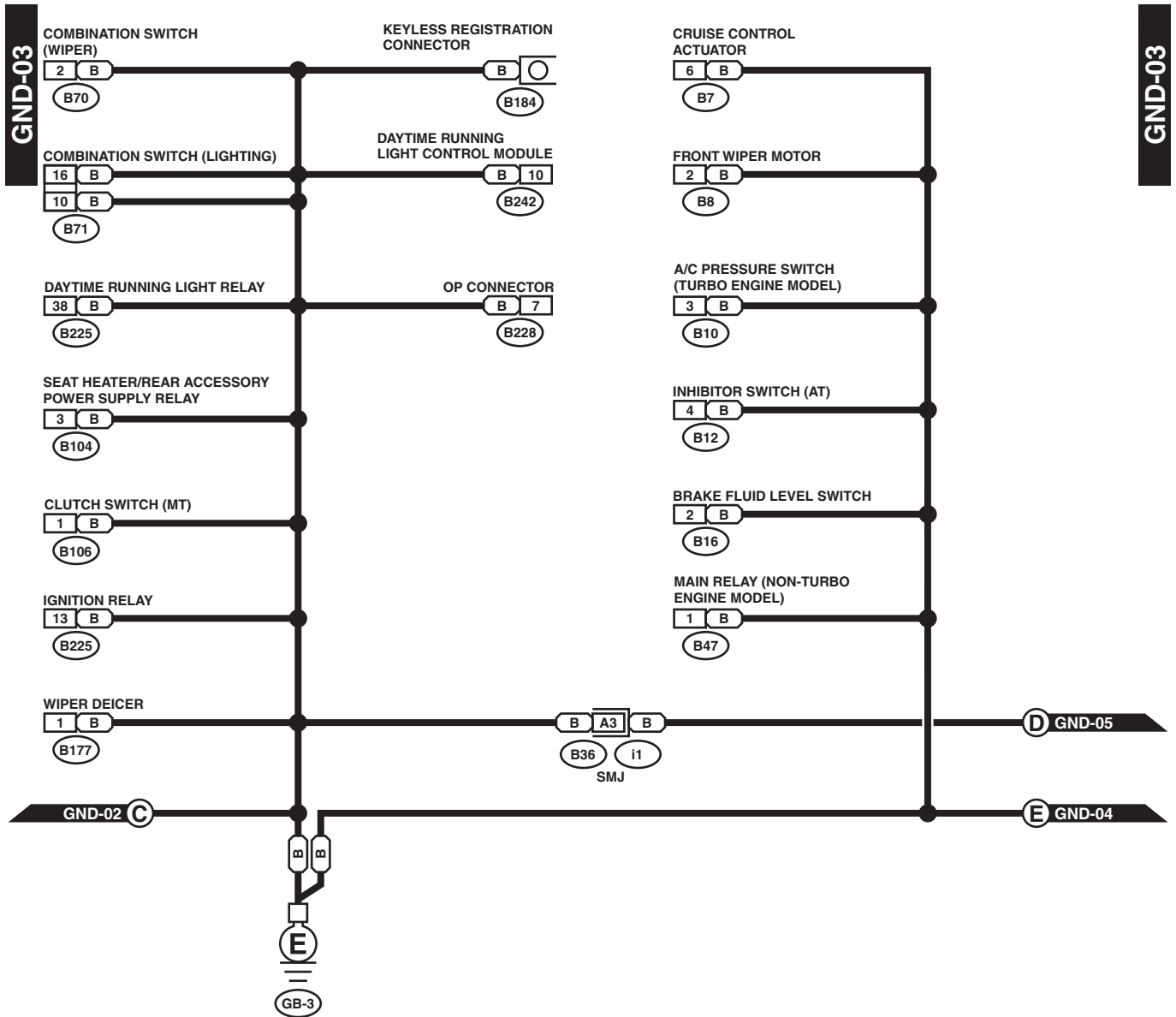
WIRING SYSTEM



WI-06752

GROUND DISTRIBUTION

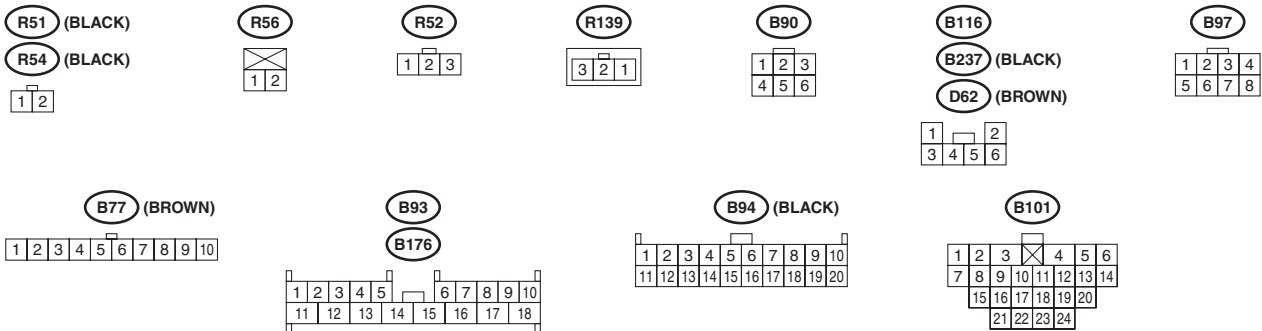
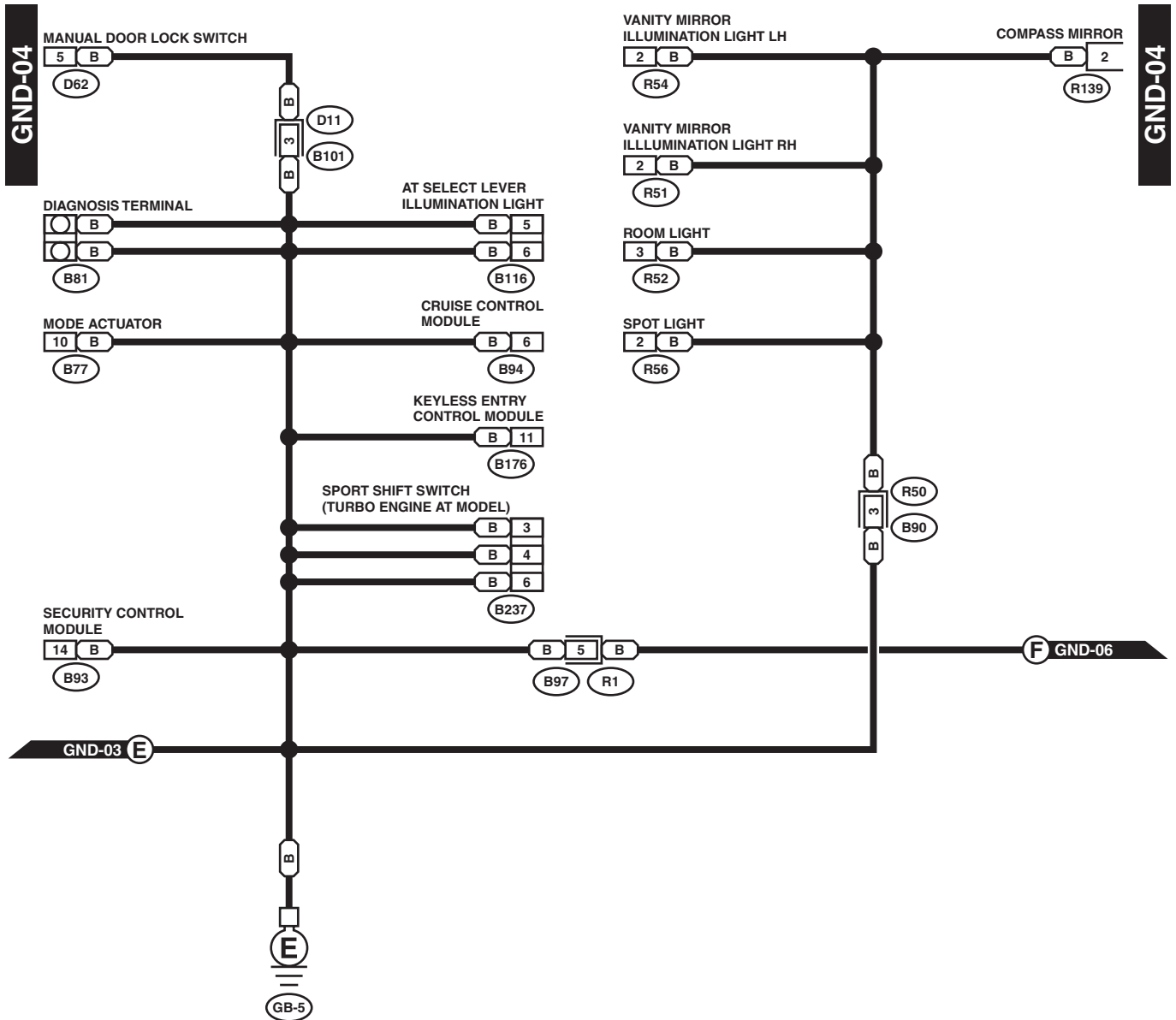
WIRING SYSTEM



WI-06753

GROUND DISTRIBUTION

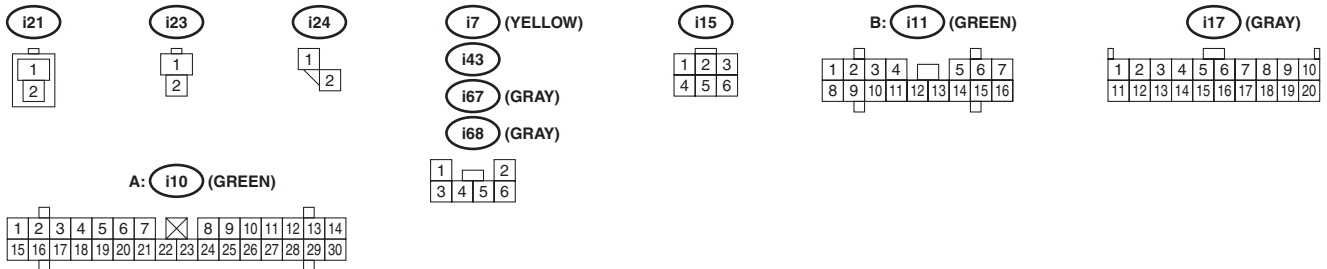
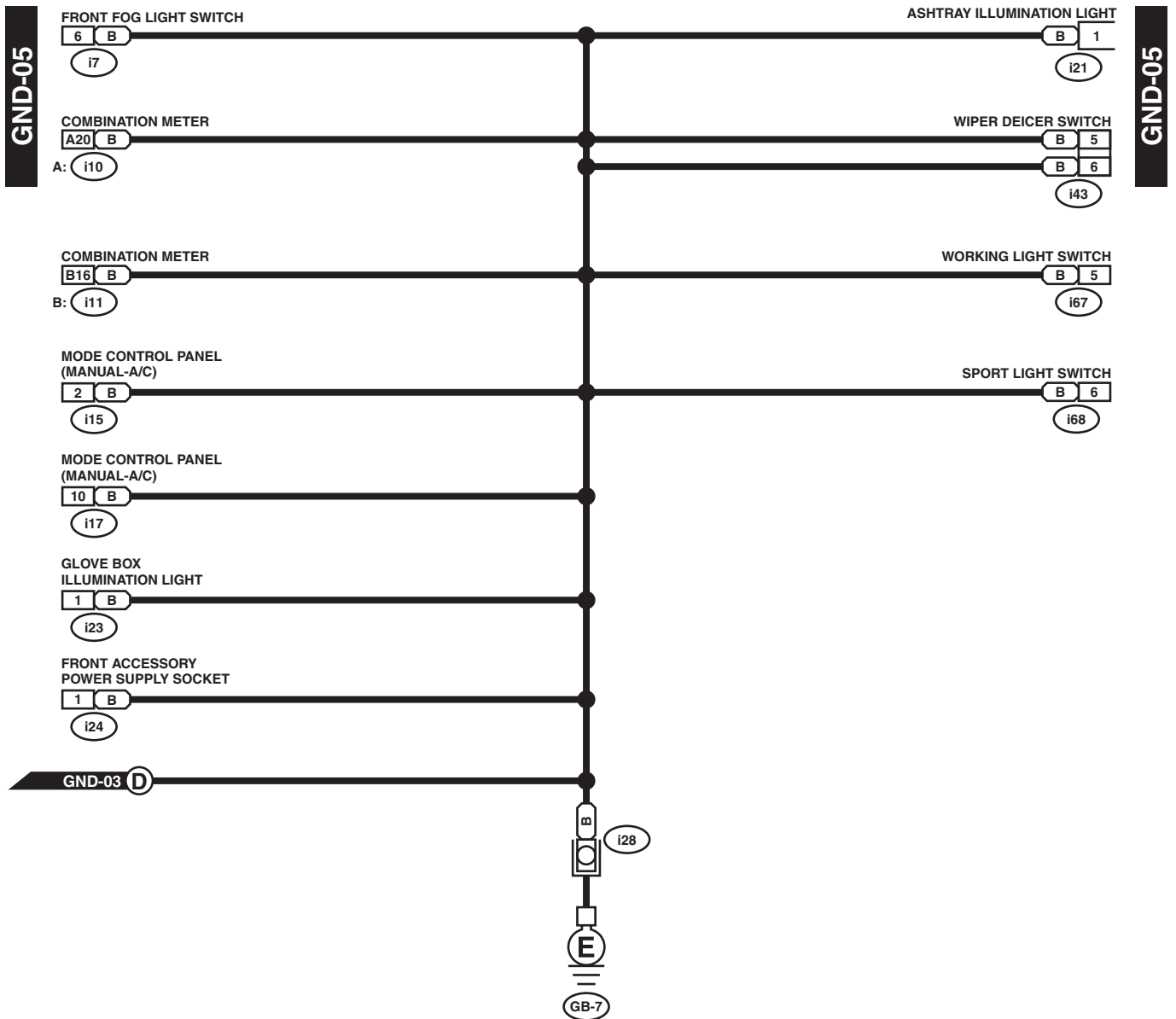
WIRING SYSTEM



WI-05800

GROUND DISTRIBUTION

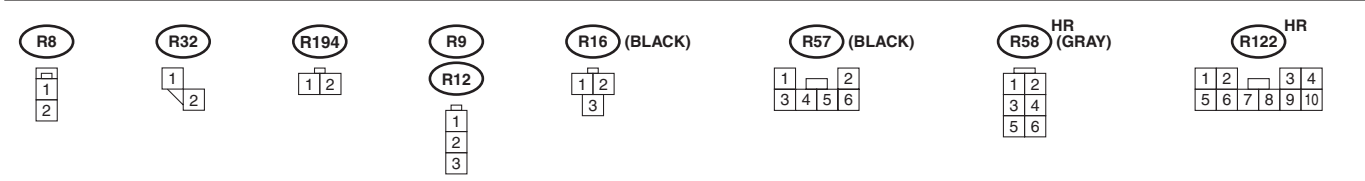
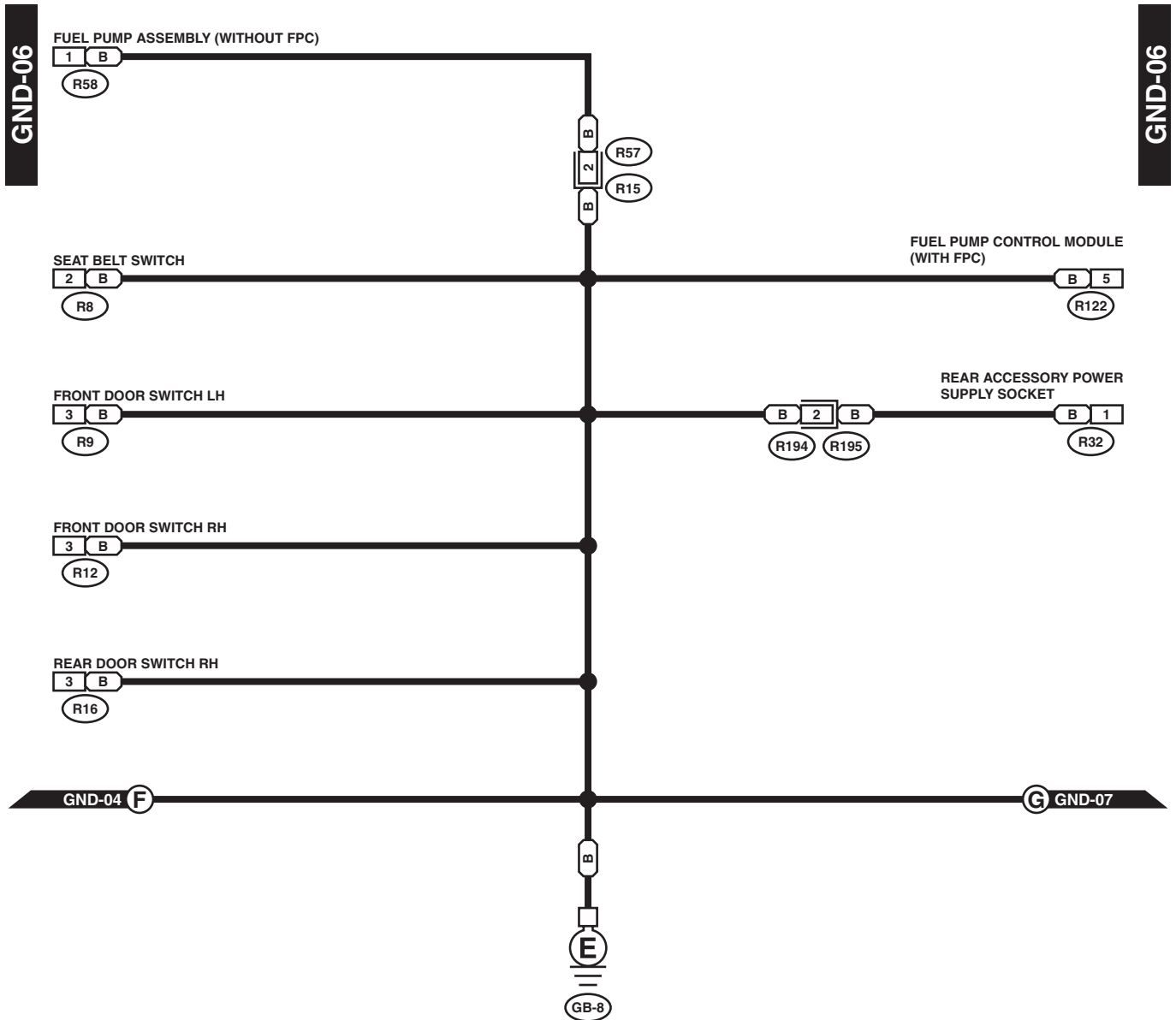
WIRING SYSTEM



WI-05695

GROUND DISTRIBUTION

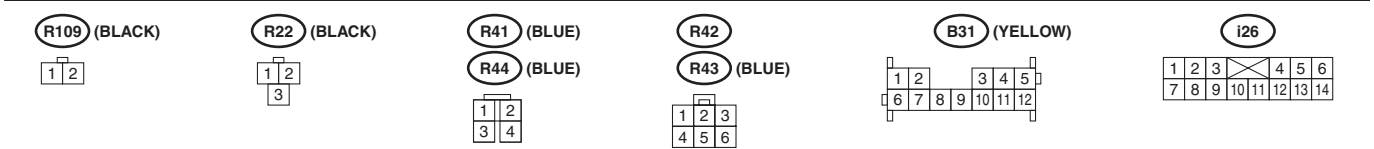
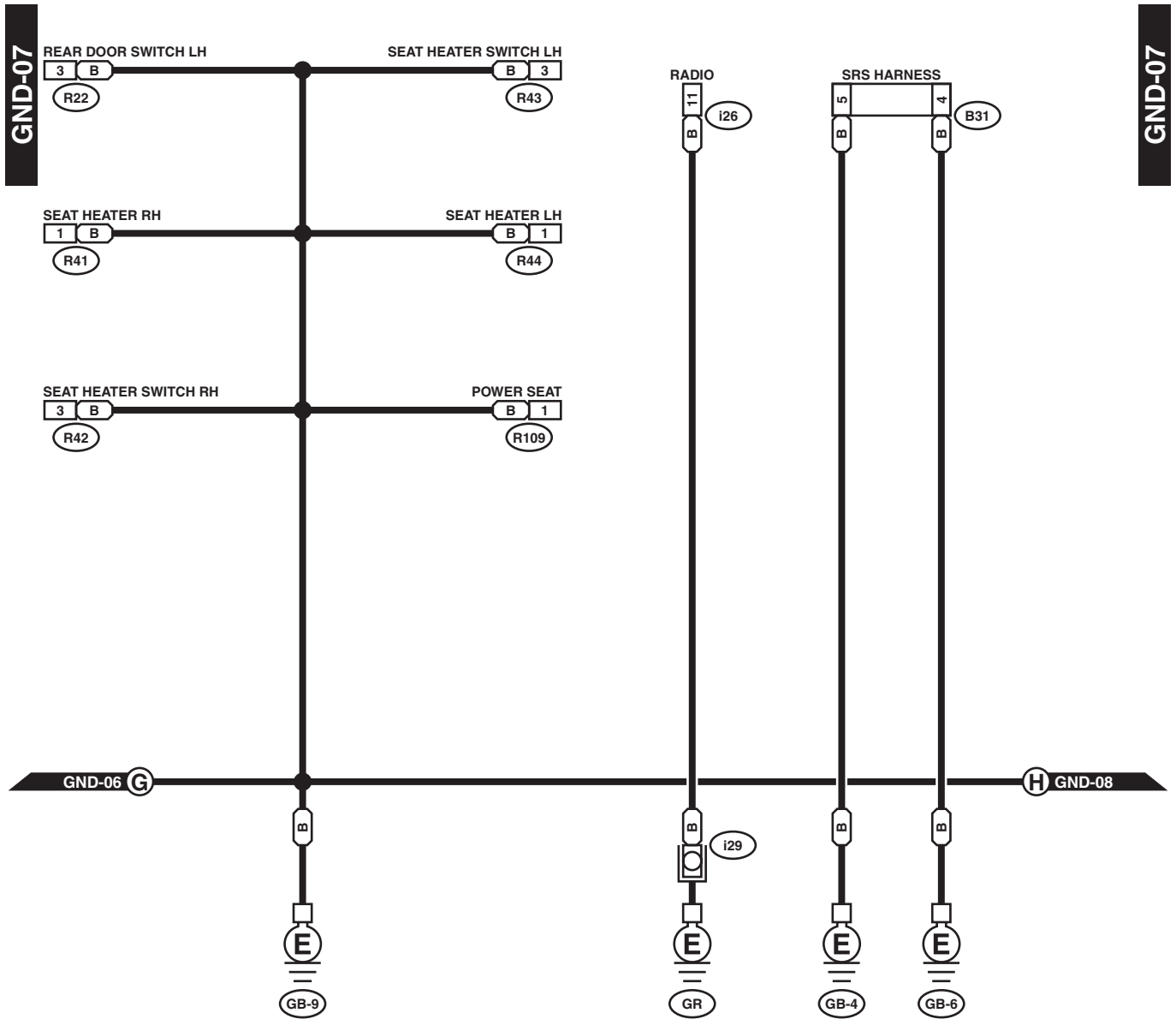
WIRING SYSTEM



WI-06754

GROUND DISTRIBUTION

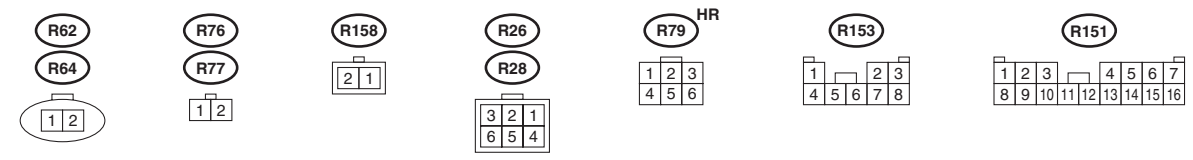
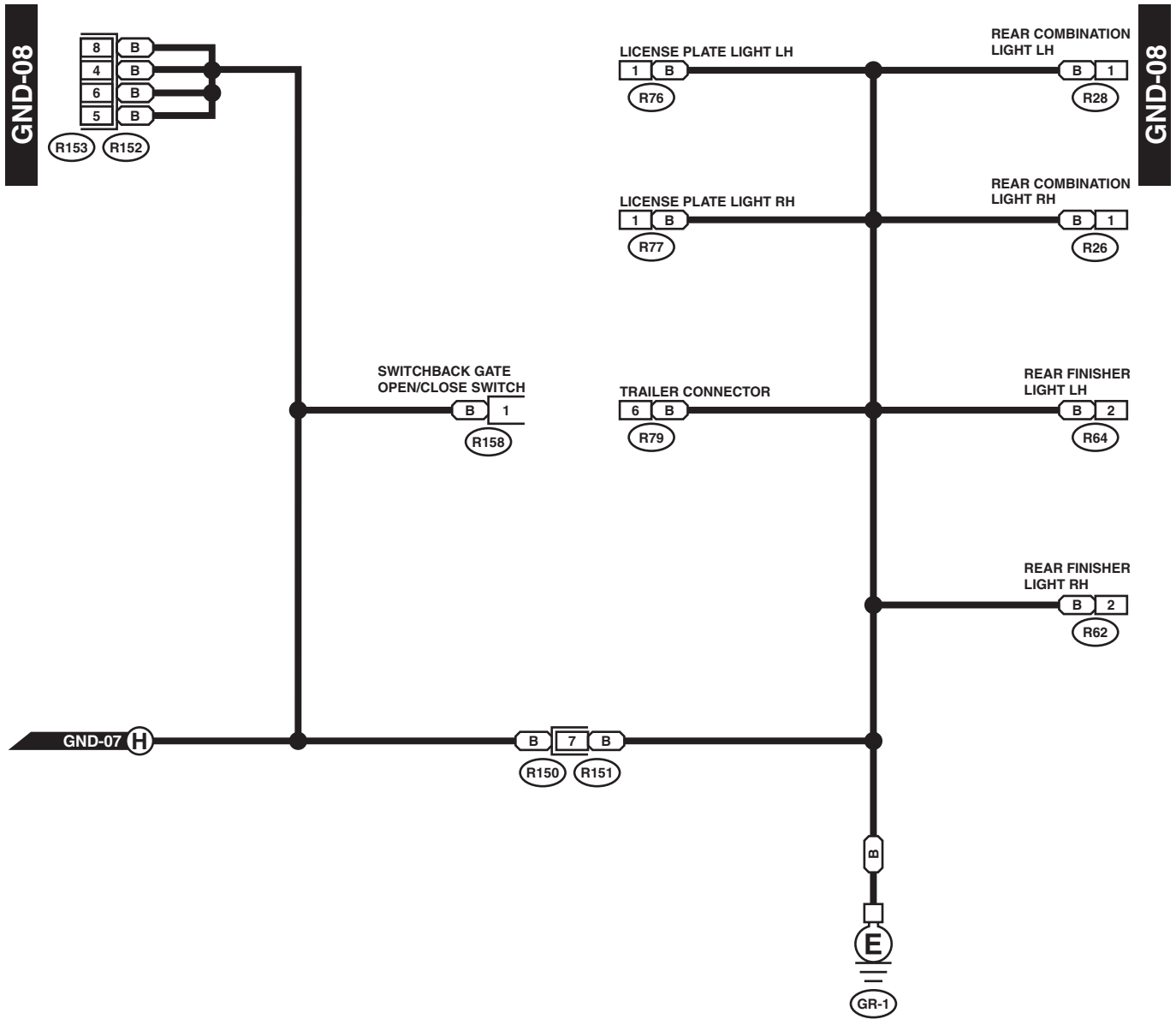
WIRING SYSTEM



WI-05802

GROUND DISTRIBUTION

WIRING SYSTEM



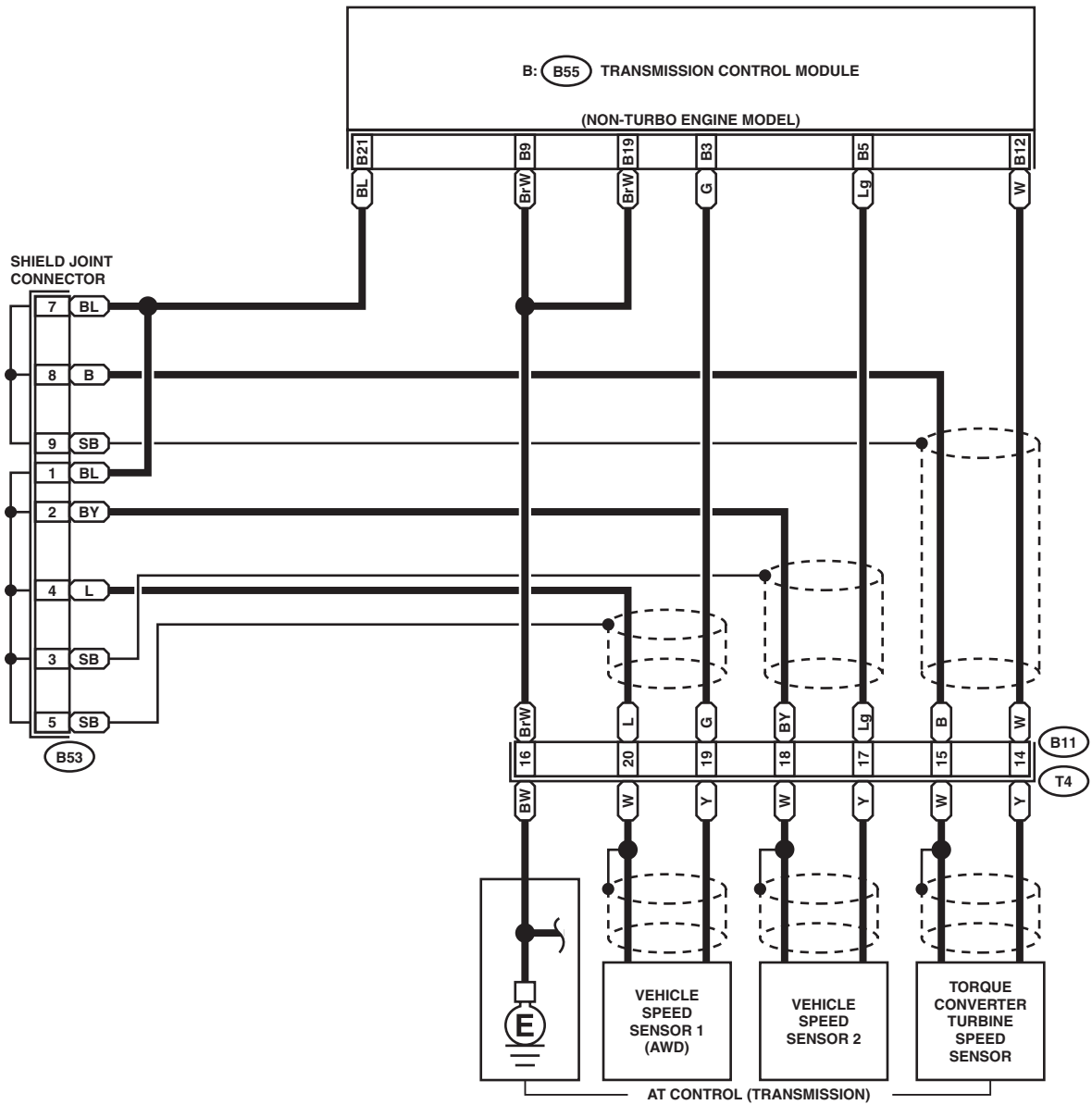
WI-06755

GROUND DISTRIBUTION

WIRING SYSTEM

GND-09

GND-09



B53 (BLUE)

1	2	3	4	5	6	7	8	9	10	11	12
---	---	---	---	---	---	---	---	---	----	----	----

B11 (BLACK)

1	2	3	4
5	6	7	8
9	10	11	12
13	14	15	16
17	18	19	20

B: B55 (GRAY)

1	2	3	4	5	6	7	8	9
10	11	12	13	14	15	16	17	18
19	20	21				22	23	24

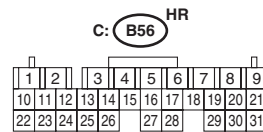
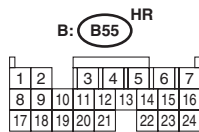
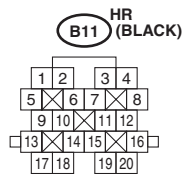
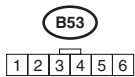
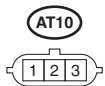
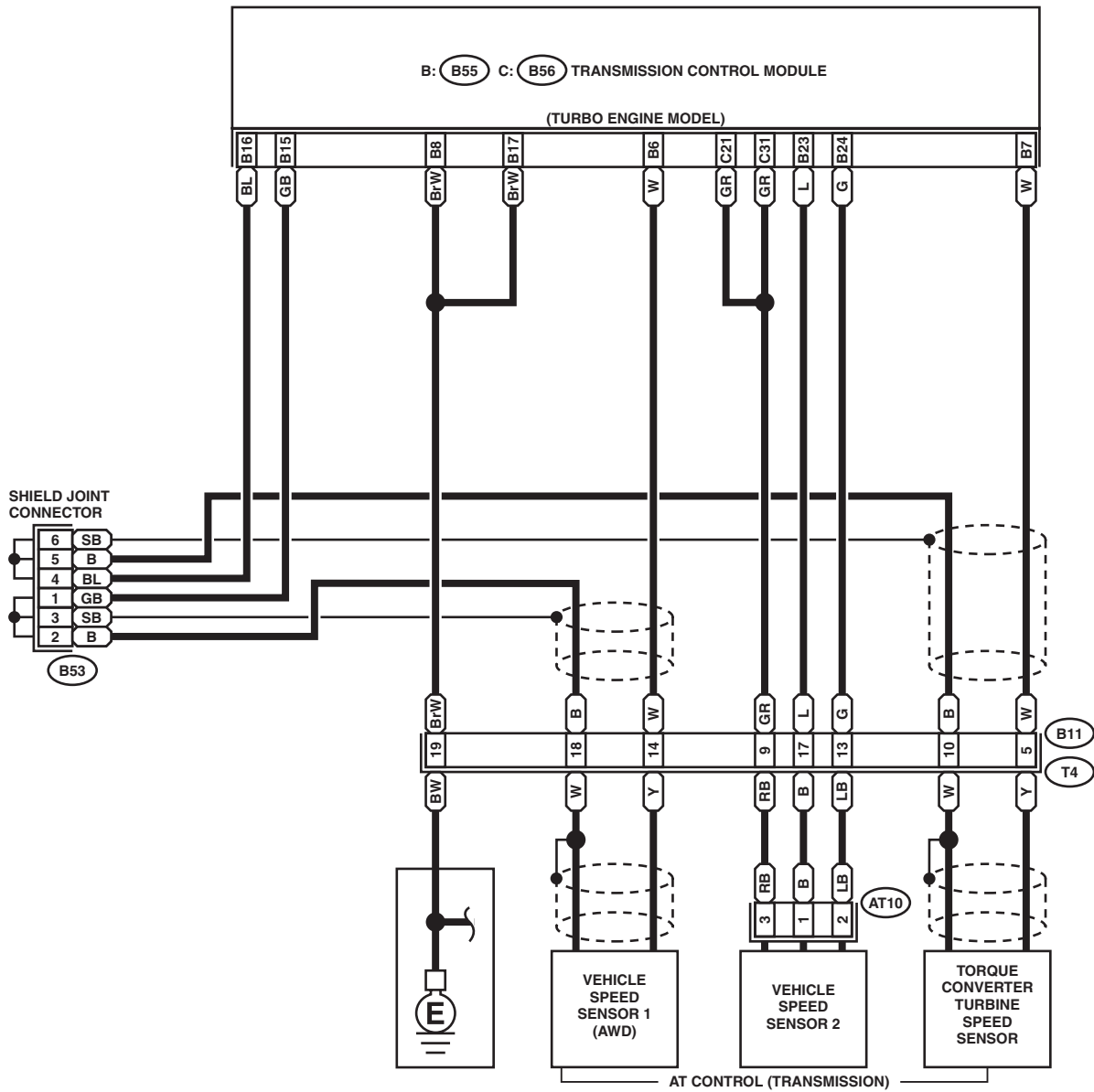
WI-06756

GROUND DISTRIBUTION

WIRING SYSTEM

GND-10

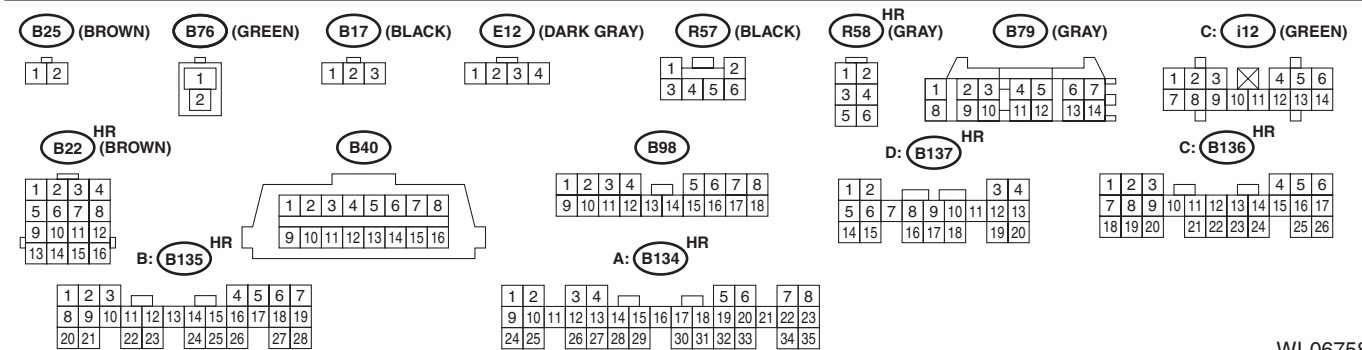
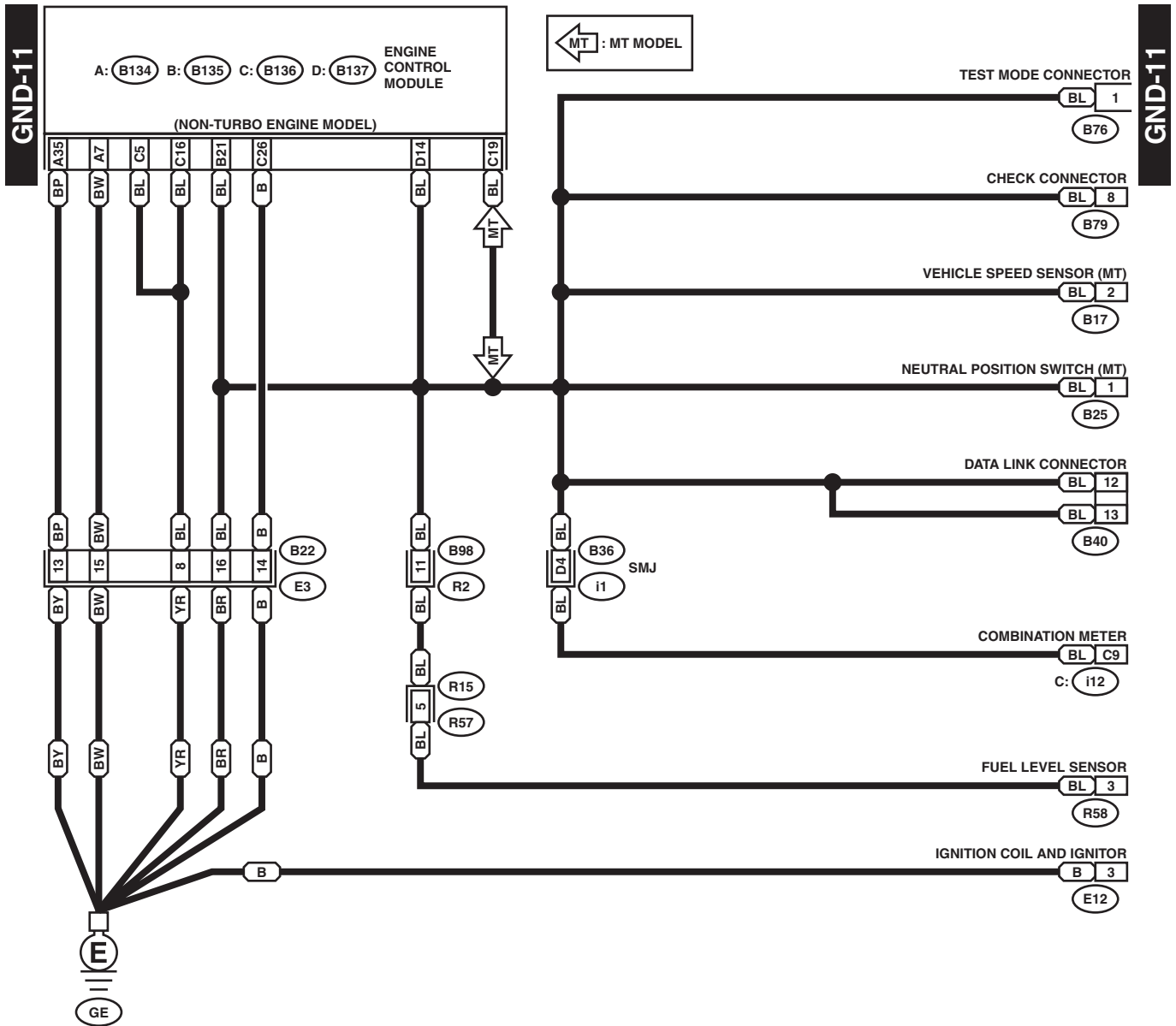
GND-10



WI-06757

GROUND DISTRIBUTION

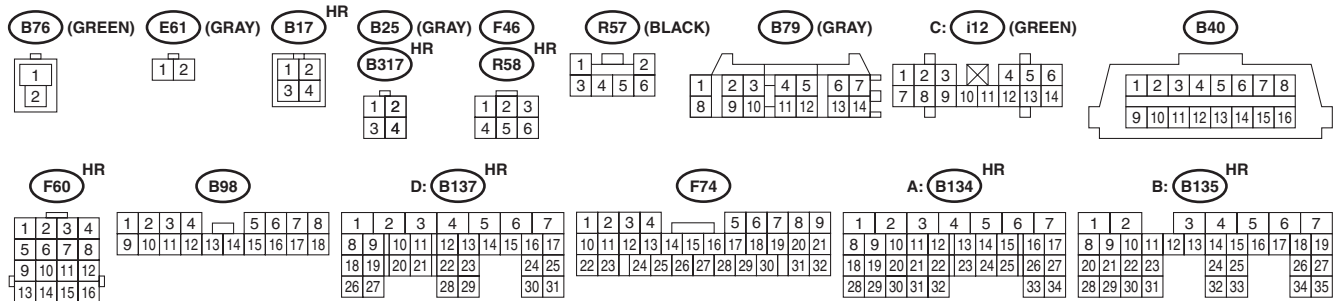
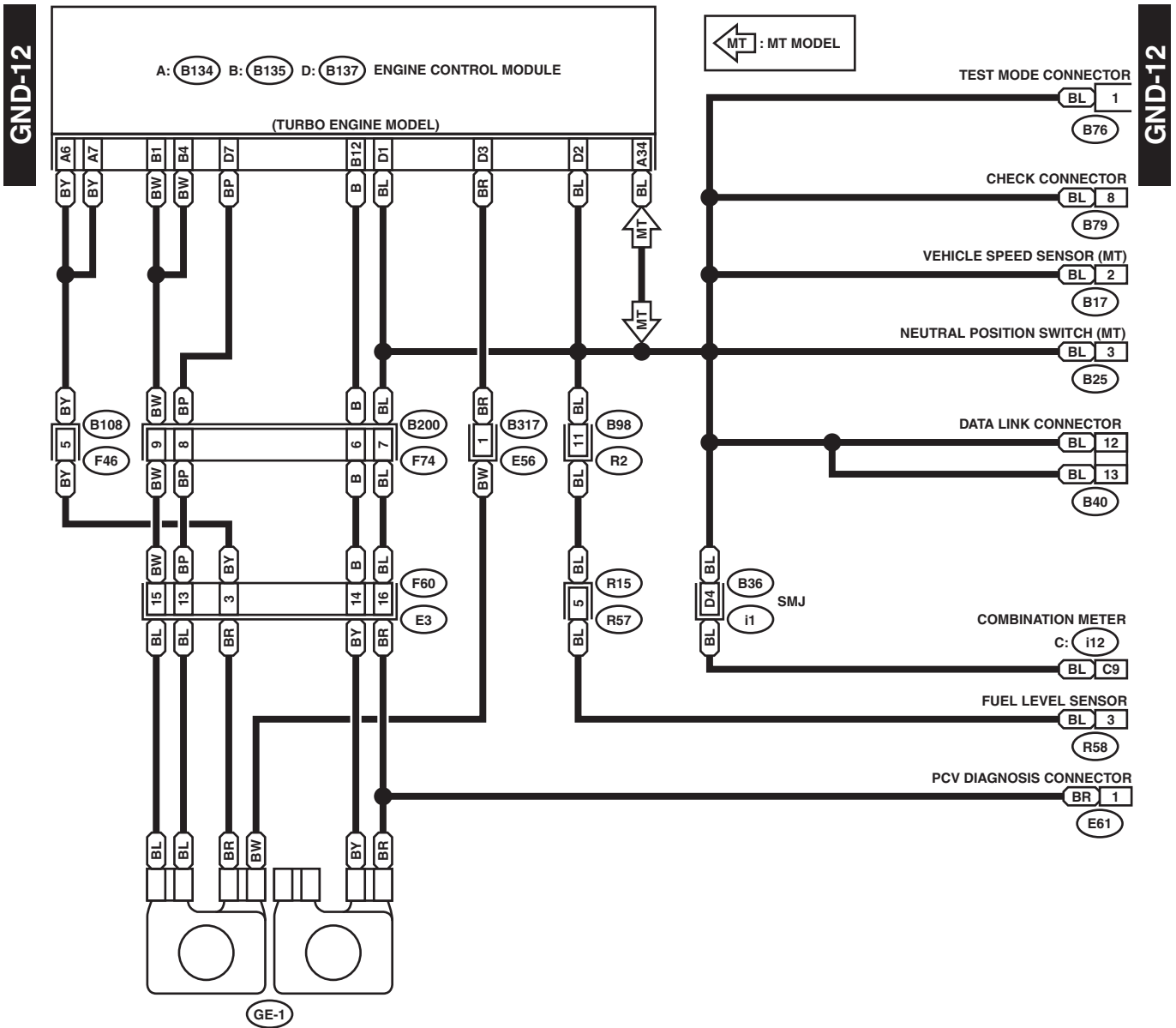
WIRING SYSTEM



WI-06758

GROUND DISTRIBUTION

WIRING SYSTEM



WI-06759