

BODY STRUCTURE

BS

	Page
1. General Description	2
2. Datum Points.....	3
3. Datum Dimensions.....	10



GENERAL DESCRIPTION

BODY STRUCTURE

1. General Description

A: PREPARATION TOOL

TOOL NAME	REMARKS
Tram tracking gauge	Used for measuring dimension.
Tape measure	Used for measuring dimension

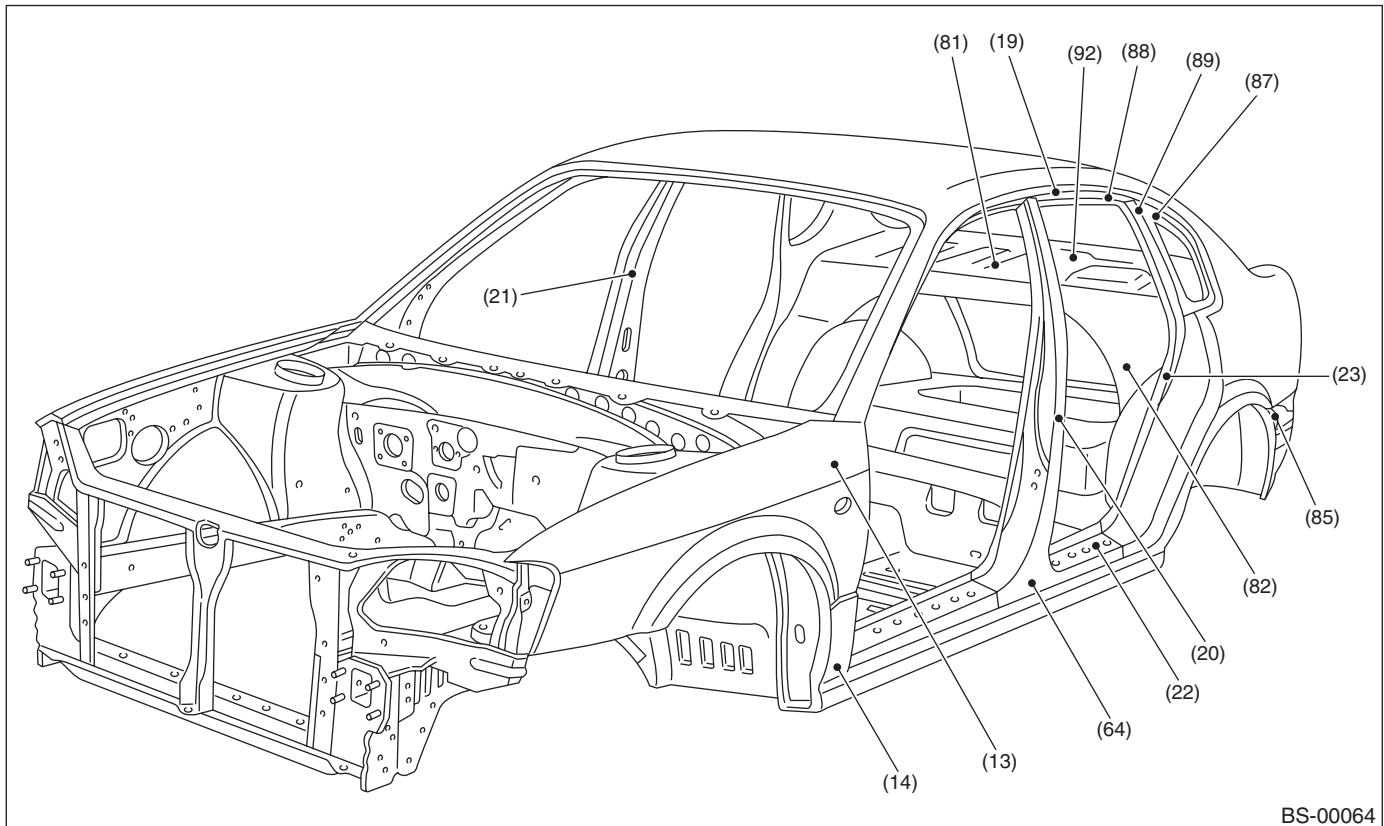
2. Datum Points

A: LOCATION

NOTE:

- Datum points are specified for body repair.
- Guide holes, locators, and indents are provided to facilitate panel replacement and to increase alignment accuracy.
- Both right and left reference points are symmetrical.

1. ROOM SECTION



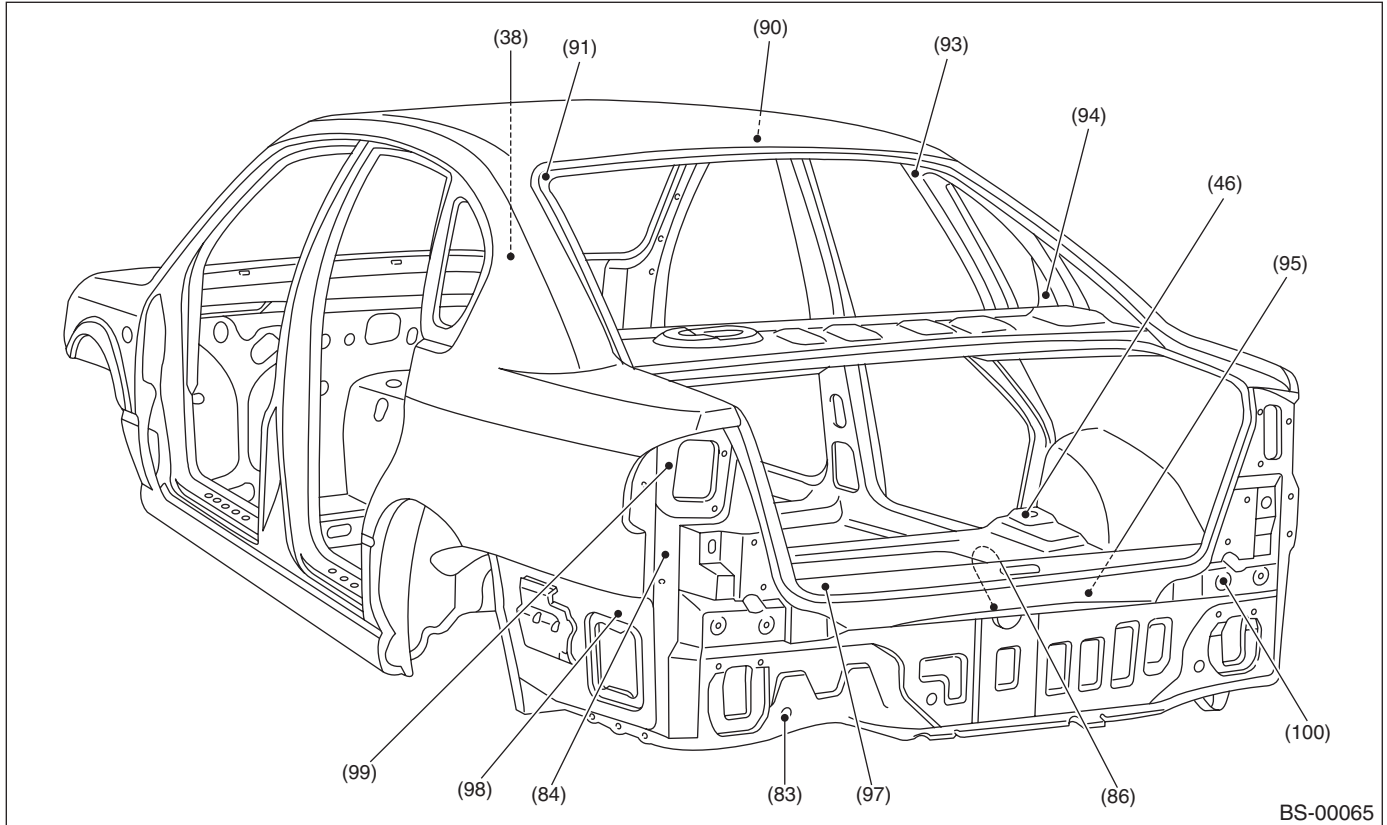
BS-00064

- | | | |
|--|---|---|
| (13) Front fender attaching hole at front pillar center portion M6 | (23) Rear quarter outer door switch attaching hole 20 mm (0.79 in) dia. | (87) Six light glass attaching hole 6.2 mm (0.244 in) dia. |
| (14) Front fender attaching hole at front pillar lower portion M6 | (64) Center pillar (LWR) gauge hole 16 mm (0.63 in) dia. | (88) Retainer attaching square hole at side rail outer 8 × 8 mm (0.31 × 0.31 in) |
| (19) Retainer attaching hole at side rail outer 3.2 mm (0.126 in) dia. | (81) Panel rear center (UPR) gauge hole 8 mm (0.31 in) dia. | (89) Retainer attaching square hole at rear quarter outer 8 × 8 mm (0.31 × 0.31 in) |
| (20) Center pillar outer hole 14 mm (0.55 in) dia. | (82) Bulk head rear trim clip hole 7 mm (0.28 in) dia. | (92) Rear panel center hole (UPR) 6 mm (0.24 in) dia. |
| (21) Front seat belt adjust plate attaching hole M10 | (85) Rear quarter outer gauge hole 20 mm (0.79 in) dia. | |
| (22) Side sill outer hole 20 mm (0.79 in) dia. | | |

DATUM POINTS

BODY STRUCTURE

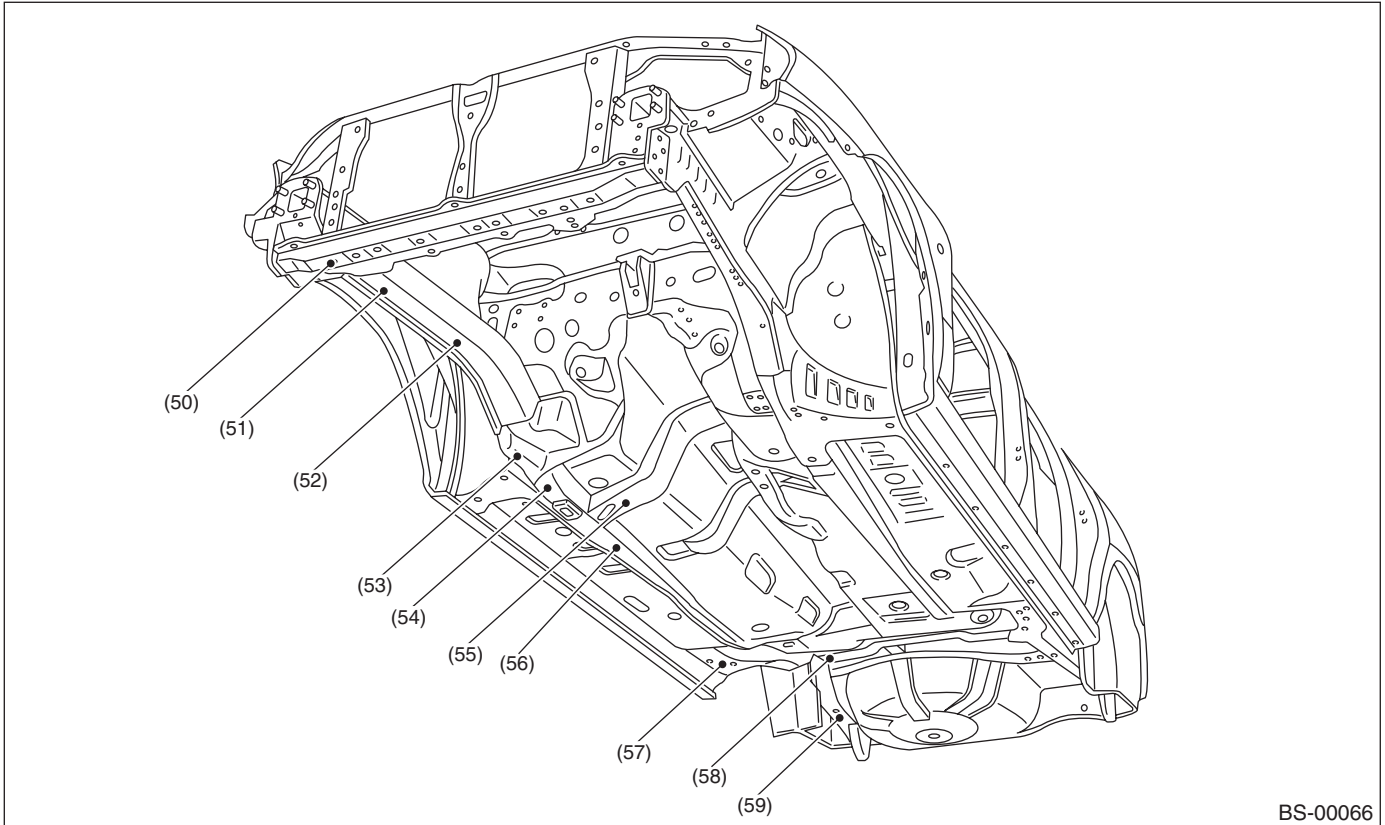
2. REAR SECTION



BS-00065

- | | | |
|---|--|--|
| (38) Front panel instrument panel attaching hole 18 × 36 mm (0.71 × 1.42 in) dia. oblong hole | (90) Rear rear roof trim attaching hole 8 mm (0.31 in) dia. | (97) Trunk trim attaching hole at rear skirt 7 mm (0.28 in) dia. |
| (46) Rear/front shock absorber floor side attaching hole 13 mm (0.51 in) dia. | (91) Rear glass attaching hole
RH: 6.5 mm (0.256 in) dia.
LH: (6.5 × 10 mm (0.256 × 0.394 in) oval | (98) Rear bumper slider attaching hole 6.2 mm (0.244 in) dia. |
| (83) Rear skirt outer burring hole 20 mm (0.79 in) dia. | (93) Rear panel inner trim attaching hole (UPR) 8 mm (0.31 in) dia. | (99) Rear combination light mounting hole 8 mm (0.31 in) dia. |
| (84) Rear extension attaching hole 6.2 mm (0.244 in) dia. | (94) Rear panel inner trim attaching hole (LWR) 8 mm (0.31 in) dia. | (100) Rear bumper beam attaching hole 8.2 mm (0.323 in) dia.
RH: 8.2 mm (0.323 in)
LH: 8.2 × 12 mm (0.323 × 0.472 in) oval |
| (86) Reinforce striker trim attaching hole 7 mm (0.28 in) dia. | (95) Rear bumper attaching hole 12.5 × 17 mm (0.492 × 0.669 in) dia. oblong hole | |

3. UNDERBODY SECTION

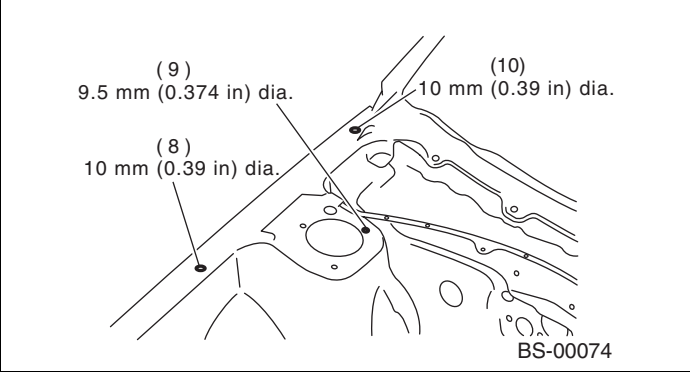
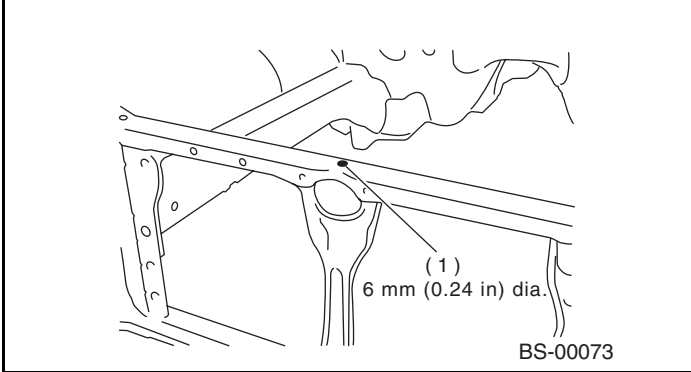
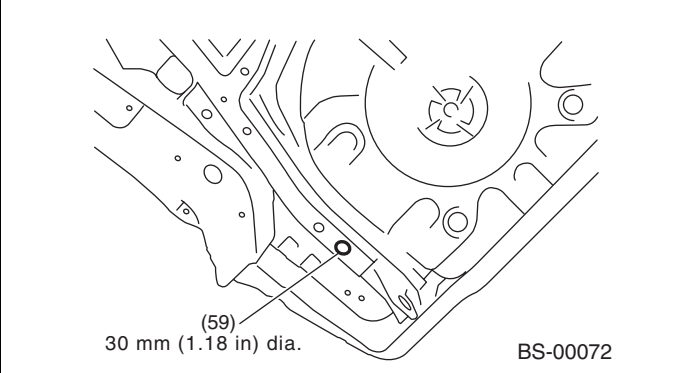
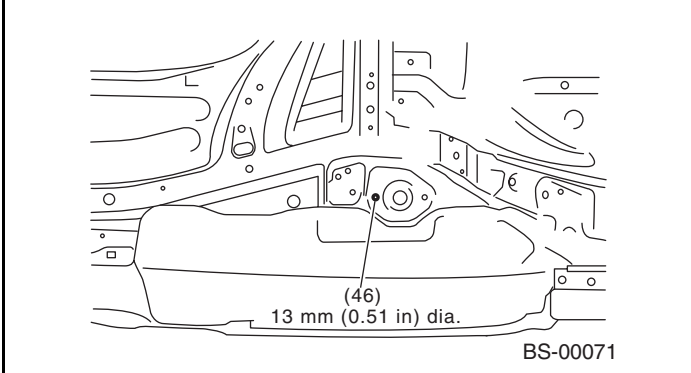
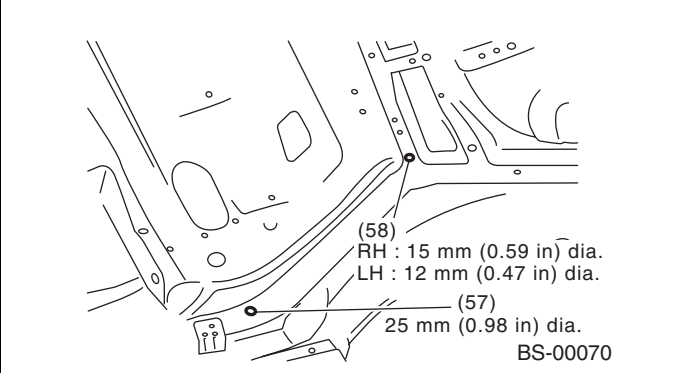
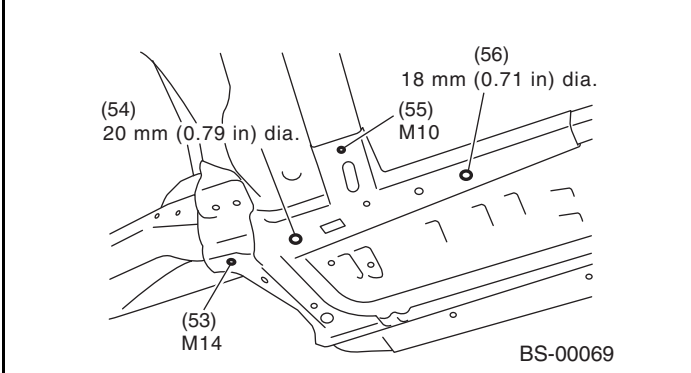
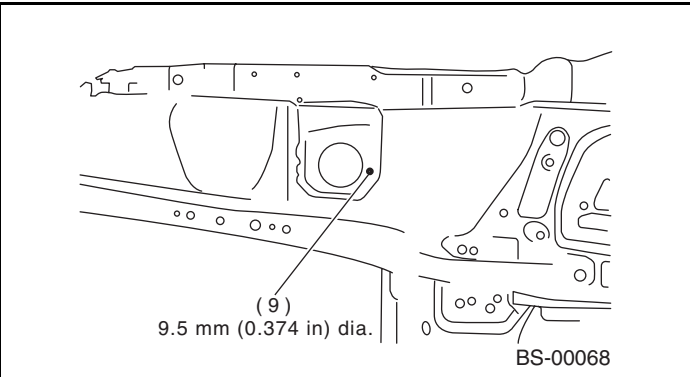
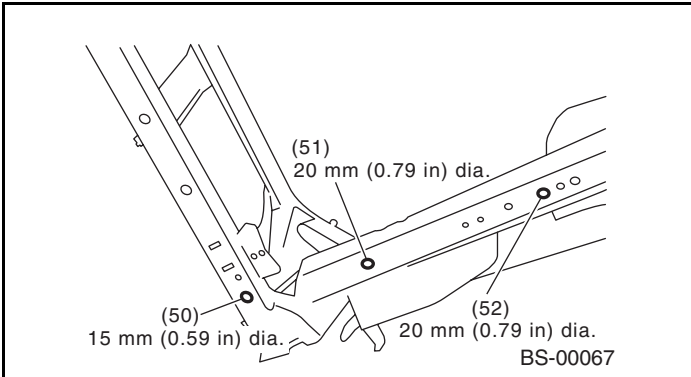


BS-00066

- | | | |
|---|--|--|
| (50) Radiator panel (LWR) frame gauge hole 15 mm (0.59 in) dia. | (54) Front side frame (Rr) gauge hole 20 mm (0.79 in) dia. | (58) Reinforcement crossmember B hole RH: 15 mm (0.59 in) dia., LH: 12 mm (0.47 in) dia. |
| (51) Front side frame (Ft) gauge hole 20 mm (0.79 in) dia. | (55) Crossmember front floor gauge hole M10 | (59) Frame rear floor side gauge hole 30 mm (1.18 in) dia. |
| (52) Front side frame (Ft) gauge hole 20 mm (0.79 in) dia. | (56) Front side frame (Rr) gauge hole 18 mm (0.71 in) dia. | |
| (53) Front suspension bracket COMPL securing nut (M14) | (57) Frame rear floor side gauge hole 25 mm (0.98 in) dia. | |

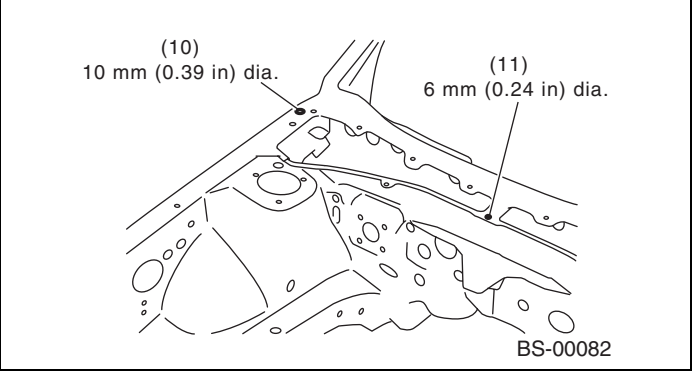
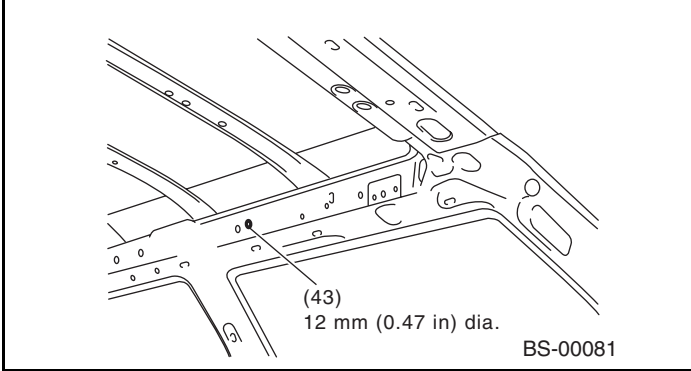
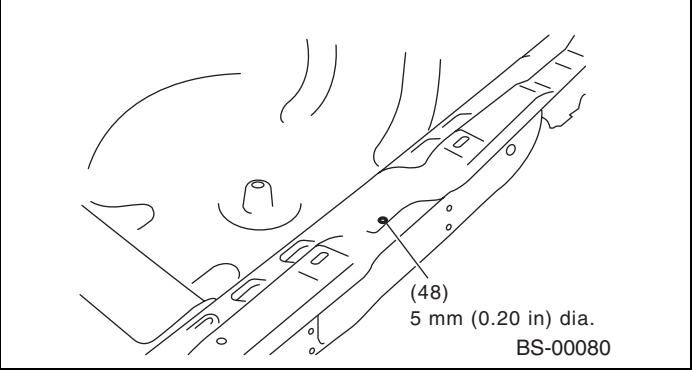
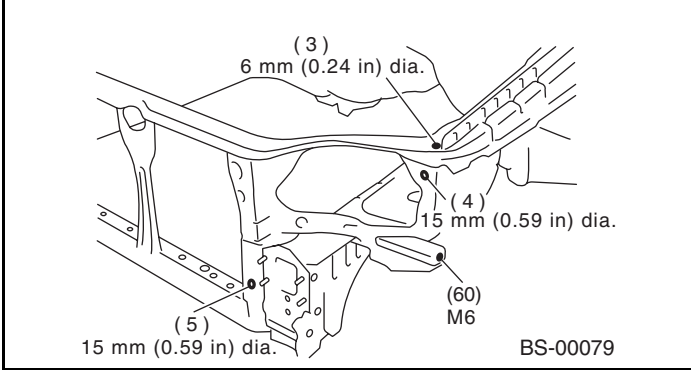
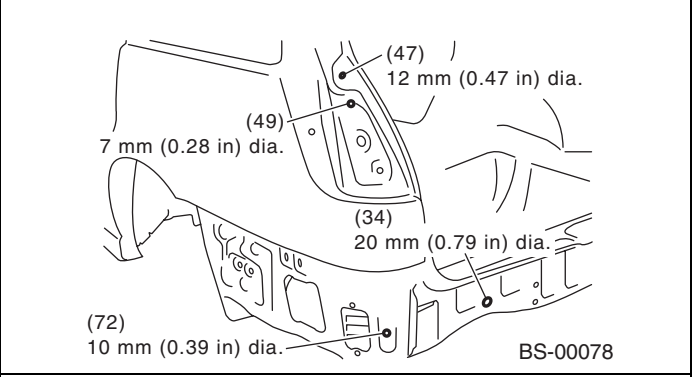
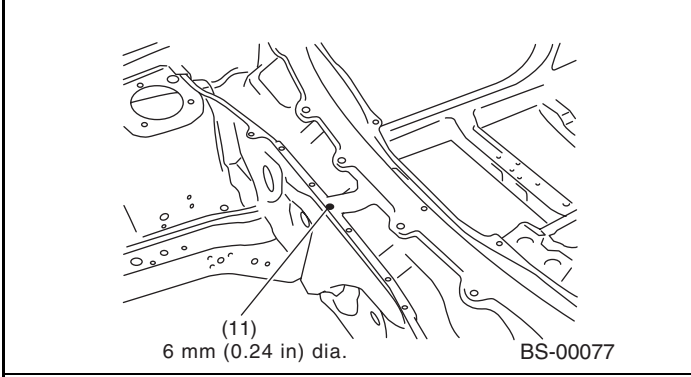
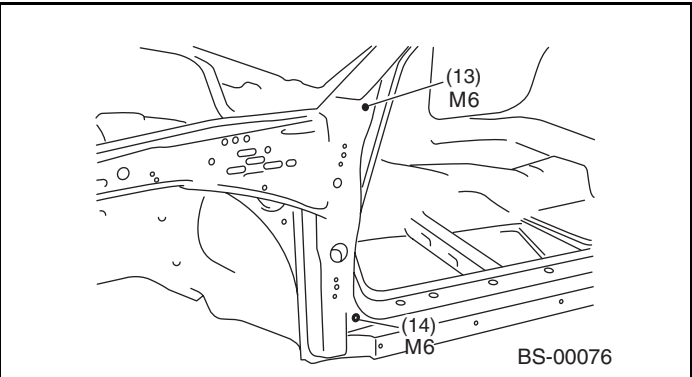
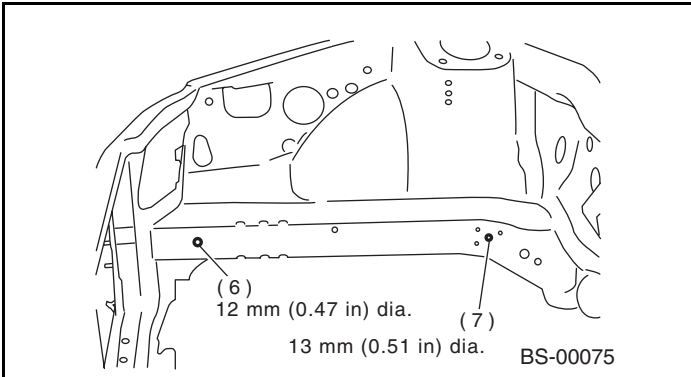
DATUM POINTS

BODY STRUCTURE



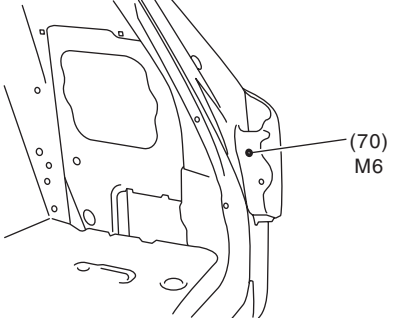
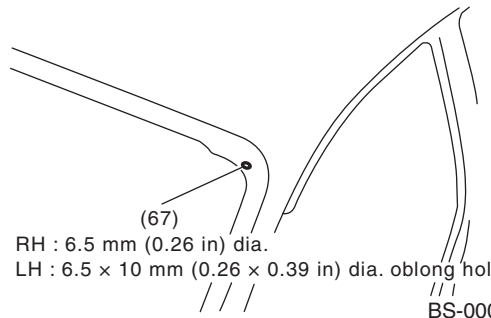
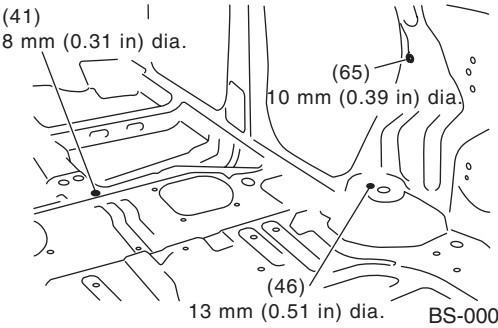
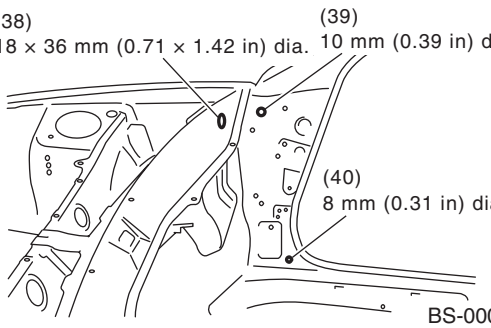
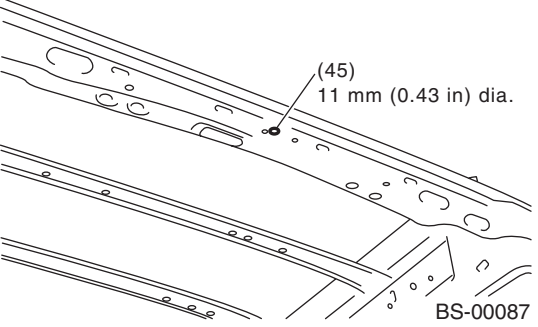
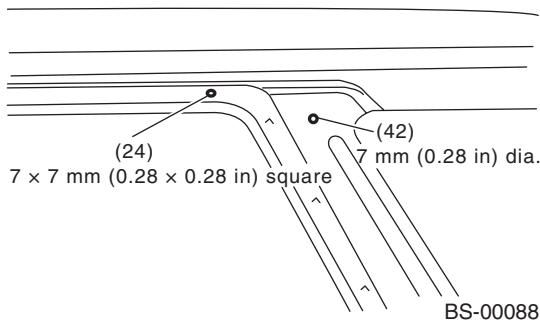
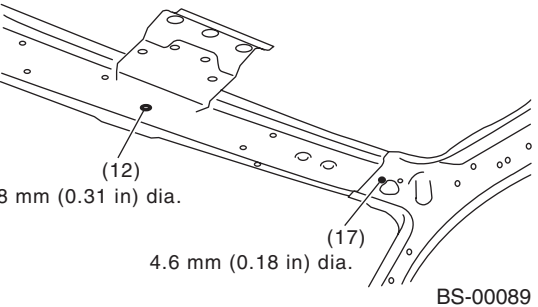
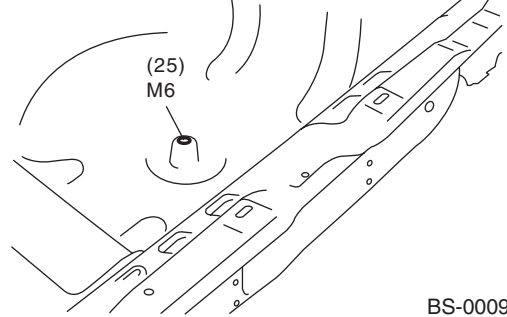
DATUM POINTS

BODY STRUCTURE



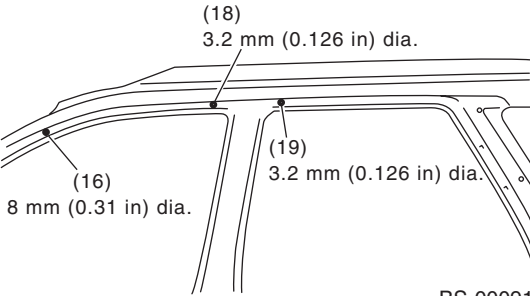
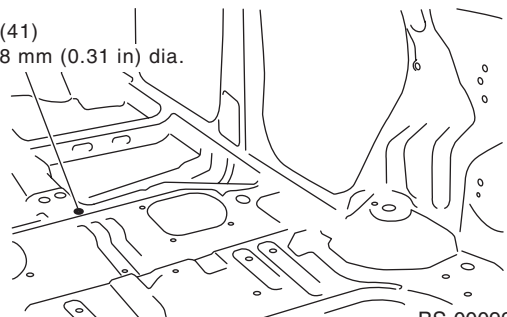
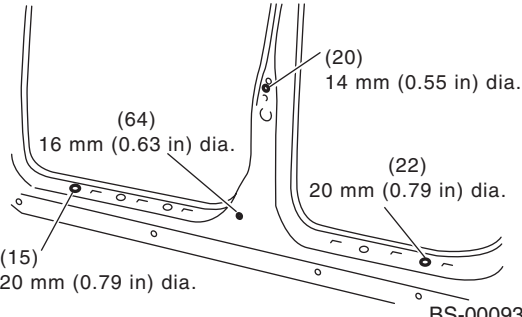
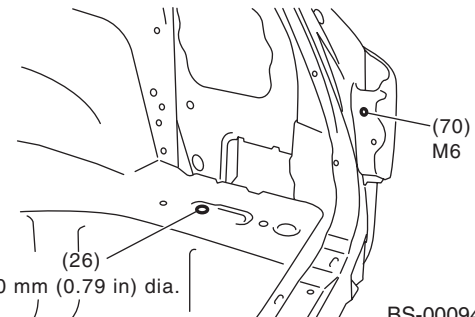
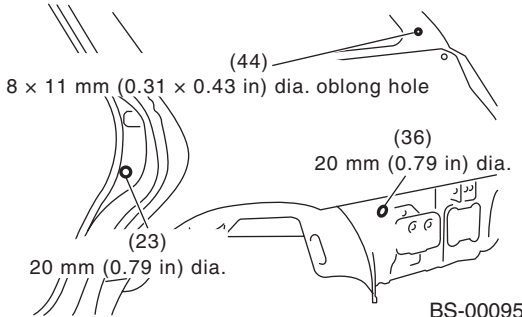
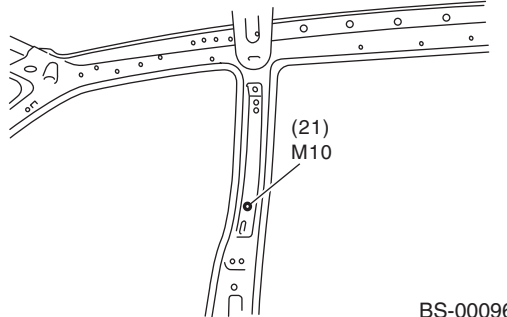
DATUM POINTS

BODY STRUCTURE

 <p>(70) M6</p> <p>BS-00648</p>	 <p>(67)</p> <p>RH : 6.5 mm (0.26 in) dia. LH : 6.5 x 10 mm (0.26 x 0.39 in) dia. oblong hole</p> <p>BS-00084</p>
 <p>(41) 8 mm (0.31 in) dia.</p> <p>(65) 10 mm (0.39 in) dia.</p> <p>(46) 13 mm (0.51 in) dia.</p> <p>BS-00085</p>	 <p>(38) 18 x 36 mm (0.71 x 1.42 in) dia.</p> <p>(39) 10 mm (0.39 in) dia.</p> <p>(40) 8 mm (0.31 in) dia.</p> <p>BS-00086</p>
 <p>(45) 11 mm (0.43 in) dia.</p> <p>BS-00087</p>	 <p>(24) 7 x 7 mm (0.28 x 0.28 in) square</p> <p>(42) 7 mm (0.28 in) dia.</p> <p>BS-00088</p>
 <p>(12) 8 mm (0.31 in) dia.</p> <p>(17) 4.6 mm (0.18 in) dia.</p> <p>BS-00089</p>	 <p>(25) M6</p> <p>BS-00090</p>

DATUM POINTS

BODY STRUCTURE

 <p>(18) 3.2 mm (0.126 in) dia.</p> <p>(16) 8 mm (0.31 in) dia.</p> <p>(19) 3.2 mm (0.126 in) dia.</p> <p>BS-00091</p>	 <p>(41) 8 mm (0.31 in) dia.</p> <p>BS-00092</p>
 <p>(20) 14 mm (0.55 in) dia.</p> <p>(64) 16 mm (0.63 in) dia.</p> <p>(22) 20 mm (0.79 in) dia.</p> <p>(15) 20 mm (0.79 in) dia.</p> <p>BS-00093</p>	 <p>(70) M6</p> <p>(26) 20 mm (0.79 in) dia.</p> <p>BS-00094</p>
 <p>(44) 8 x 11 mm (0.31 x 0.43 in) dia. oblong hole</p> <p>(36) 20 mm (0.79 in) dia.</p> <p>(23) 20 mm (0.79 in) dia.</p> <p>BS-00095</p>	 <p>(21) M10</p> <p>BS-00096</p>

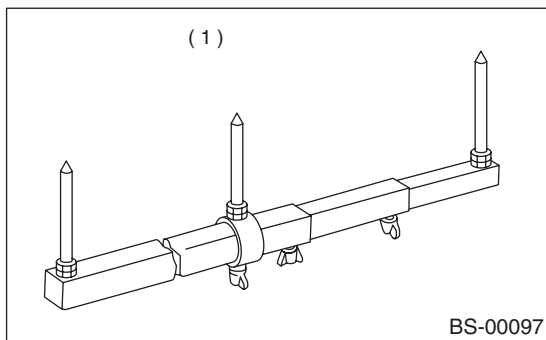
3. Datum Dimensions

A: MEASUREMENT

Refer to LOCATION for details on measurement points. <Ref. to BS-3, LOCATION, Datum Points.>

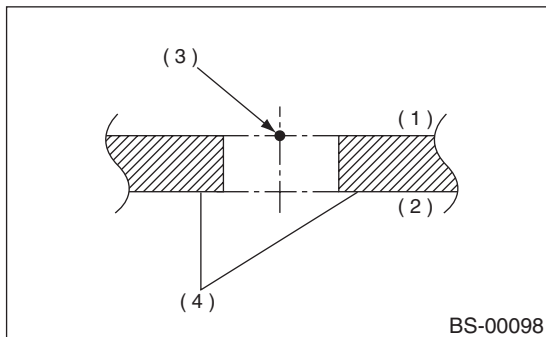
NOTE:

- Using a tram tracking gauge, measure all the dimensions.
- When using a tape measure, carefully measure dimensions without letting the tape measure sag or twist.
- Measure the linear dimensions between cores of holes.
- Suffixes "RH" and "LH" indicate right-hand and left-hand.



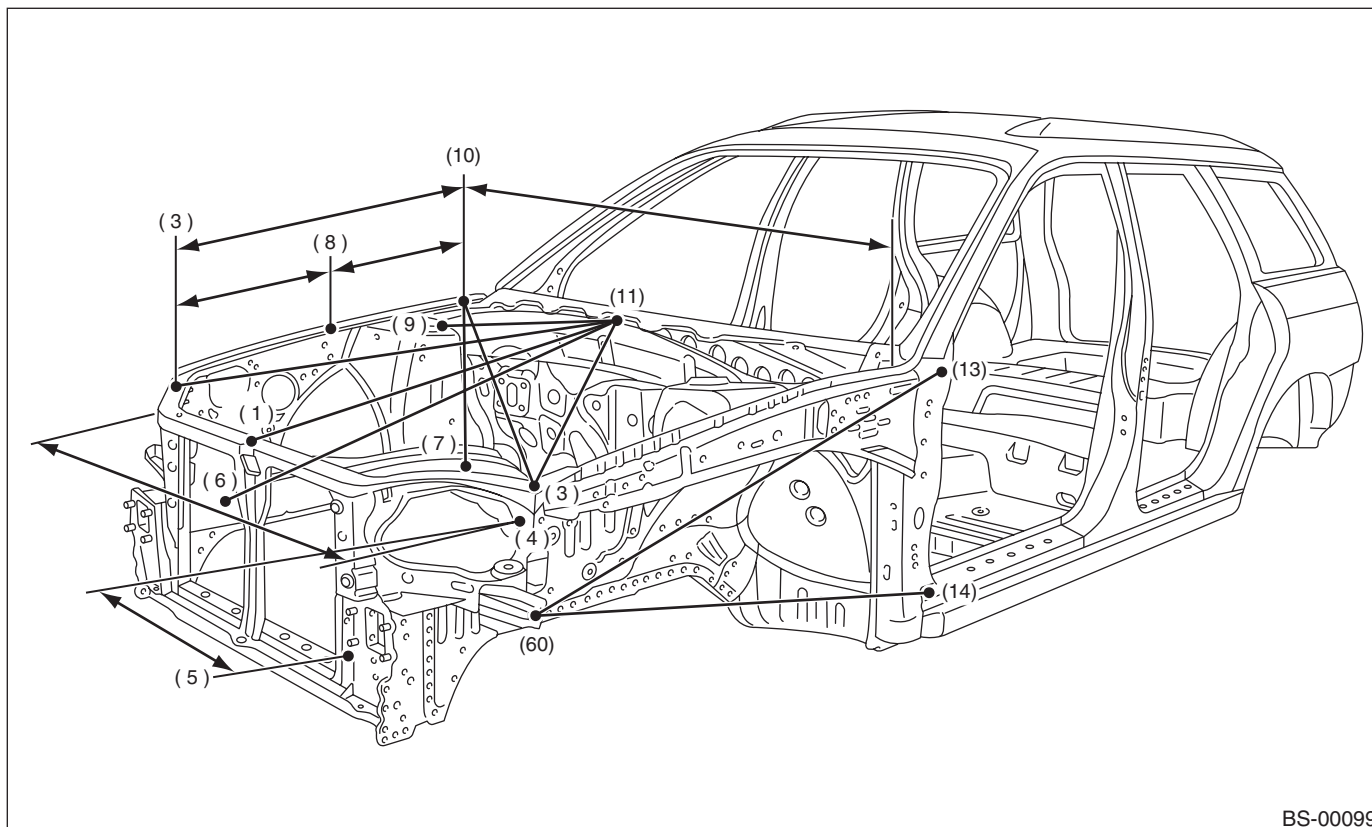
(1) Tram tracking gauge

- Measure at the center of the circle around the outside of the body panel.



- (1) Outside
- (2) Inside
- (3) Datum point
- (4) Body panel

1. FRONT STRUCTURE



BS-00099

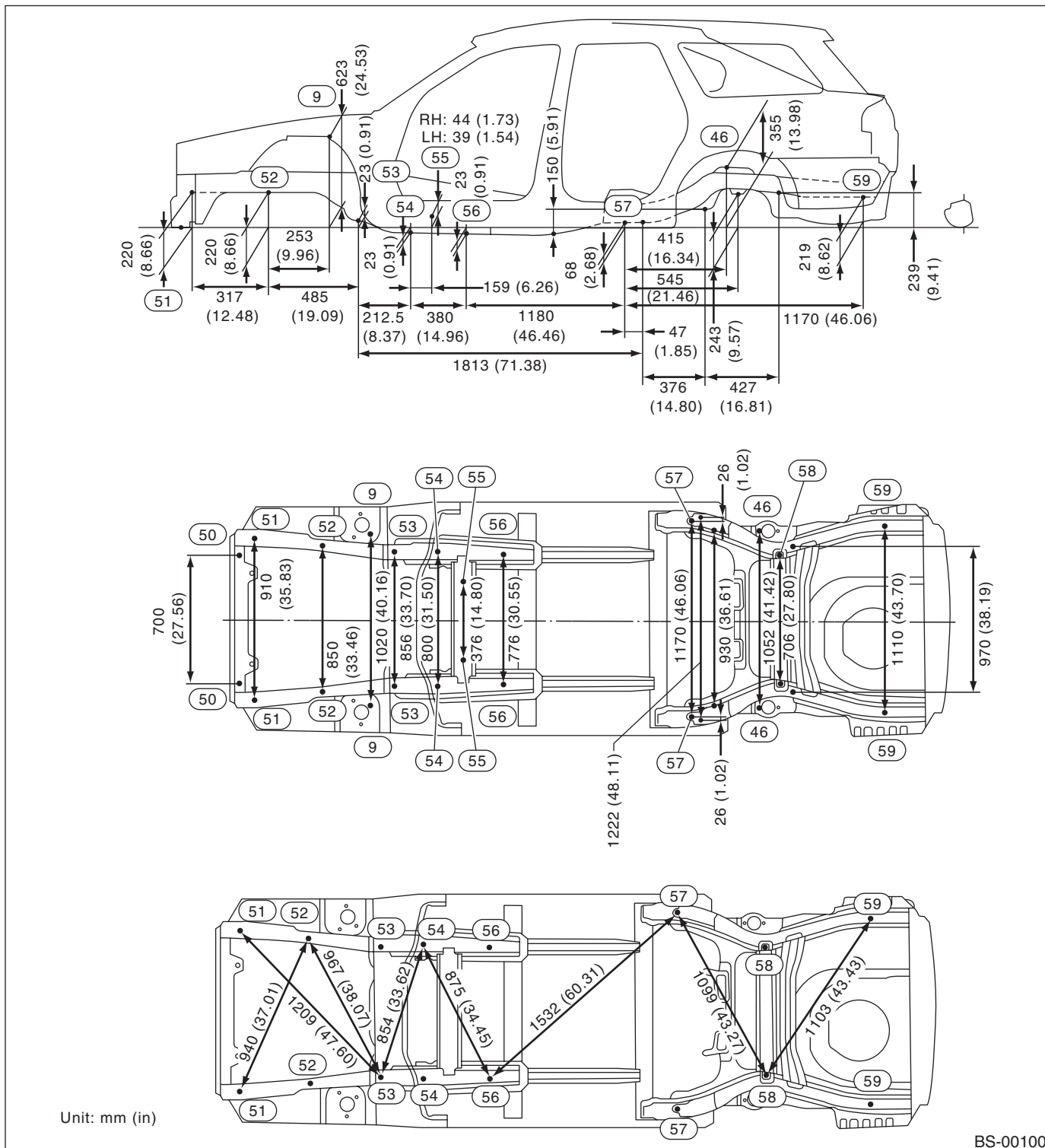
Point to point	Dimension	Point to point	Dimension
(11) to (1)	888 (34.96)	(4) RH to (4) LH	1,320 (51.97)
(11) to (9) RH	519 (20.43)	(5) RH to (4) LH	1,073 (42.24)
(11) to (9) LH	519 (20.43)	(5) LH to (4) RH	1,073 (42.24)
(11) to (6) RH	950 (37.40)	(60) RH to (13) RH	1,179 (46.42)
(11) to (6) LH	950 (37.40)	(60) LH to (13) LH	1,179 (46.42)
(11) to (3) RH	1,008 (39.68)	(60) RH to (14) RH	1,135 (44.68)
(11) to (3) LH	1,008 (39.68)	(60) LH to (14) LH	1,135 (44.68)
(10) RH to (3) RH	897 (35.31)	(10) RH to (3) LH	1,679 (66.10)
(10) RH to (8) RH	504 (19.84)	(10) LH to (3) RH	1,679 (66.10)
(10) LH to (8) LH	504 (19.84)	(8) RH to (8) LH	1,398 (55.04)
(9) RH to (9) LH	1,020 (40.16)	(8) RH to (10) LH	1,519 (59.80)
(6) RH to (6) LH	740 (29.13)	(8) LH to (10) RH	1,519 (59.80)
(6) RH to (10) LH	1,522 (59.92)	(3) RH to (8) LH	1,439 (56.65)
(6) LH to (10) RH	1,522 (59.92)	(3) LH to (8) RH	1,439 (56.65)
(8) RH to (3) RH	395 (15.55)	(7) RH to (7) LH	870 (34.25)
(8) LH to (3) LH	395 (15.55)	(7) RH to (6) LH	943 (37.13)
(10) RH to (10) LH	1,470 (57.87)	(7) LH to (6) RH	943 (37.13)
(3) RH to (3) LH	1,370 (53.94)	(7) RH to (10) LH	1,322 (52.05)
(5) RH to (5) LH	720 (28.35)	(7) LH to (10) RH	1,322 (52.05)

Unit: mm (in)

DATUM DIMENSIONS

BODY STRUCTURE

2. CENTER STRUCTURE

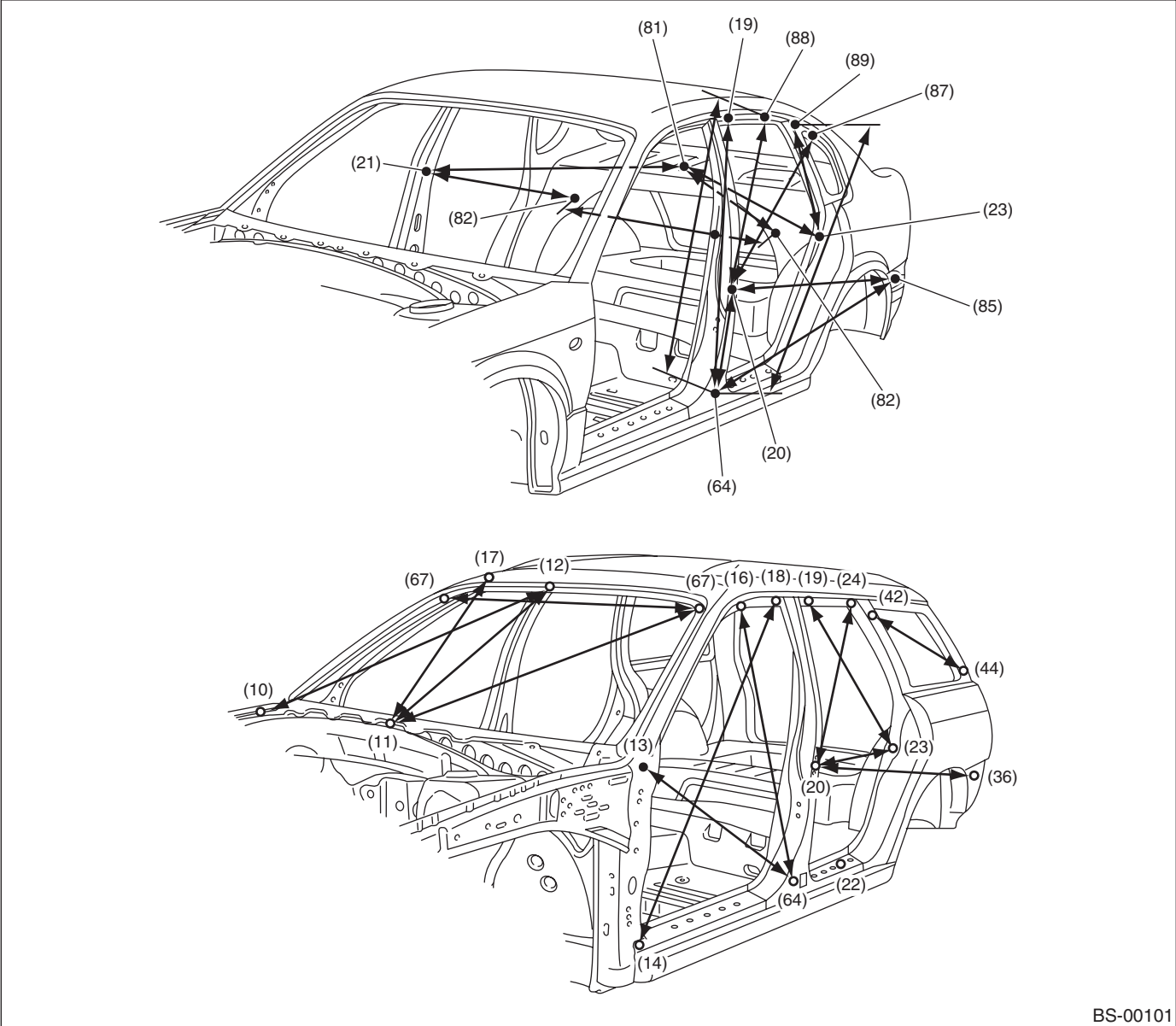


MEMO:

DATUM DIMENSIONS

BODY STRUCTURE

3. WINDSHIELD AND DOORS



BS-00101

DATUM DIMENSIONS

BODY STRUCTURE

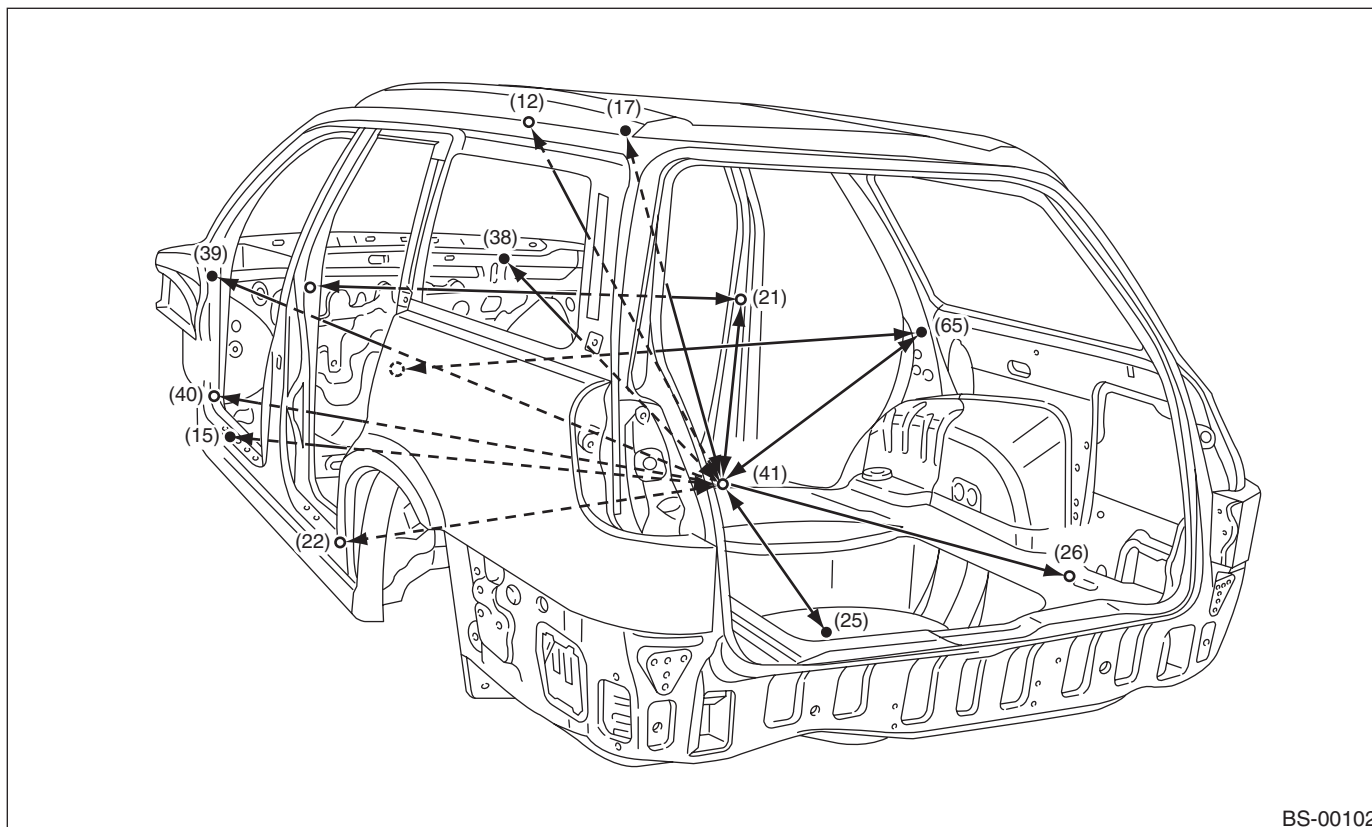
Point to point	Dimension	Point to point	Dimension
(14) RH to (18) RH	1,425 (56.10)	(12) to (10) RH	1,136 (44.72)
(14) LH to (18) LH	1,425 (56.10)	(12) to (10) LH	1,136 (44.72)
(13) RH to (64) RH	1,030 (40.55)	(11) to (17) RH	1,130 (44.49)
(13) LH to (64) LH	1,030 (40.55)	(11) to (17) LH	1,130 (44.49)
(16) RH to (64) RH	966 (38.03)	(81) to (82) RH	611 (24.06)
(16) LH to (64) LH	966 (38.03)	(81) to (82) LH	611 (24.06)
(20) RH to (23) RH	864 (34.02)	(81) to (21) RH	1,309 (51.54)
(20) LH to (23) LH	864 (34.02)	(81) to (21) LH	1,309 (51.54)
(20) RH to (24) RH	860 (33.86)	(81) to (23) RH	812 (31.97)
(20) LH to (24) LH	860 (33.86)	(81) to (23) LH	812 (31.97)
(19) RH to (23) RH	899 (35.39)	(82) LH to (21) LH	1,019 (40.12)
(19) LH to (23) LH	899 (35.39)	(82) RH to (21) LH	1,606 (63.23)
(20) RH to (36) RH	1,548 (60.94)	(82) RH to (82) LH	1,140 (44.88)
(20) LH to (36) LH	1,548 (60.94)	(85) LH to (20) LH	1,548 (60.94)
(42) RH to (44) RH	1,037 (40.83)	(85) LH to (64) LH	1,650 (64.96)
(42) LH to (44) LH	1,037 (40.83)	(19) LH to (64) LH	1,029 (40.51)
(11) to (12)	989 (38.94)	(20) LH to (87) LH	911 (35.87)
(67) RH to (67) LH	1,100 (43.31)	(20) LH to (88) LH	842 (33.15)
(11) to (67) RH	1,119 (44.06)	(20) LH to (64) LH	399 (15.71)
(11) to (67) LH	1,119 (44.06)	(23) LH to (89) LH	552 (21.73)
(12) to (67) RH	551 (21.69)	(88) LH to (64) LH	1,192 (46.93)
(12) to (67) LH	551 (21.69)	(89) LH to (64) LH	1,204 (47.40)

Unit: mm (in)

DATUM DIMENSIONS

BODY STRUCTURE

4. COMPARTMENT



BS-00102

Point to point	Dimension	Point to point	Dimension
(21) RH to (21) LH	1,351 (53.19)	(41) to (22) LH	738 (29.06)
(15) RH to (15) LH	1,455 (57.28)	(41) to (26) RH	1,459 (57.44)
(22) RH to (22) LH	1,455 (57.28)	(41) to (26) LH	1,459 (57.44)
(39) RH to (39) LH	1,385 (54.53)	(41) to (25)	1,290 (50.79)
(40) RH to (40) LH	1,392 (54.80)	(41) to (12)	1,228 (48.35)
(41) to (38)	1,639 (64.53)	(41) to (21) RH	940 (37.01)
(41) to (39) RH	1,642 (64.65)	(41) to (21) LH	940 (37.01)
(41) to (39) LH	1,642 (64.65)	(41) to (17) RH	1,261 (49.65)
(41) to (40) RH	1,531 (60.28)	(41) to (17) LH	1,261 (49.65)
(41) to (40) LH	1,531 (60.28)	(65) RH to (65) LH	1,307 (51.46)
(41) to (15) RH	1,342 (52.83)	(41) to (65) RH	969 (38.15)
(41) to (15) LH	1,342 (52.83)	(41) to (65) LH	969 (38.15)
(41) to (22) RH	738 (29.06)		

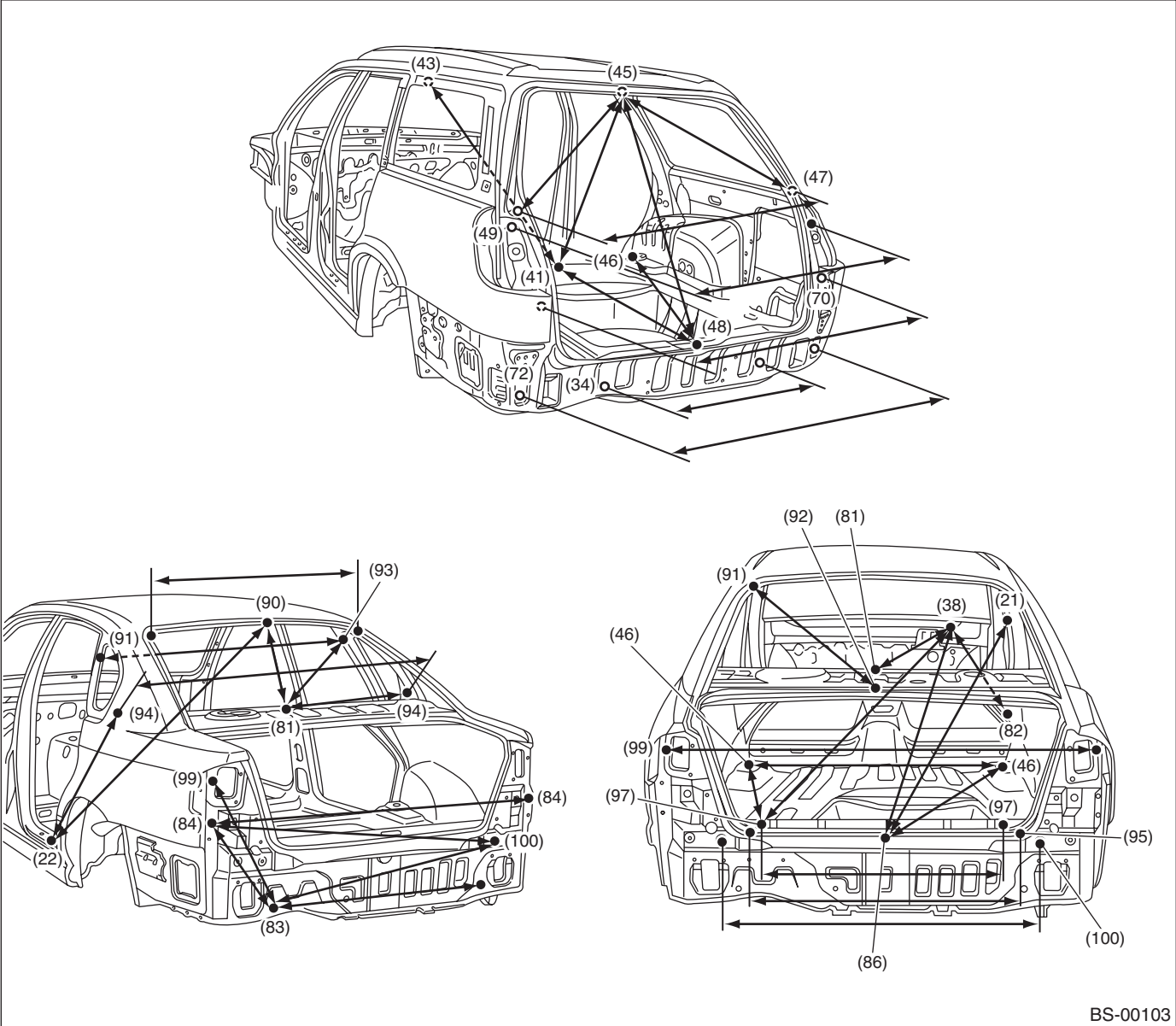
Unit: mm (in)

MEMO:

DATUM DIMENSIONS

BODY STRUCTURE

5. TRUNK LID AND REAR GATE



BS-00103

DATUM DIMENSIONS

BODY STRUCTURE

Point to point	Dimension	Point to point	Dimension
(45) to (48)	974 (38.35)	(84) RH to (84) LH	1,410 (55.51)
(45) to (47) RH	797 (31.38)	(100) RH to (84) LH	1,226 (48.27)
(45) to (47) LH	797 (31.38)	(86) to (21) RH	2,073 (81.61)
(47) RH to (47) LH	1,289 (50.75)	(86) to (21) LH	2,086 (82.13)
(49) RH to (49) LH	1,313 (51.69)	(86) to (38)	3,143 (123.74)
(34) RH to (34) LH	700 (27.56)	(86) to (46) RH	1,121 (44.13)
(41) to (45)	1,482 (58.35)	(86) to (46) LH	1,140 (44.88)
(41) to (43) RH	1,206 (47.48)	(86) to (96)	558 (21.97)
(41) to (43) LH	1,199 (47.20)	(90) to (22) RH	1,319 (51.93)
(41) to (48)	1,663 (65.47)	(90) to (22) LH	1,319 (51.93)
(48) to (46) RH	1,191 (46.89)	(22) RH to (94) LH	1,710 (67.32)
(48) to (46) LH	1,191 (46.89)	(22) LH to (94) RH	1,710 (67.32)
(70) RH to (70) LH	1,215 (47.83)	(38) to (97) RH	3,100 (122.05)
(72) RH to (72) LH	1,320 (51.97)	(38) to (97) LH	3,227 (127.05)
(81) to (38)	2,351 (92.56)	(92) to (91) RH	776 (30.55)
(81) to (90)	444 (17.48)	(92) to (91) LH	776 (30.55)
(81) to (93) RH	719 (28.31)	(91) RH to (91) LH	976 (38.43)
(81) to (93) LH	719 (28.31)	(46) LH to (97) LH	1,008 (39.68)
(81) to (94) RH	632 (24.88)	(46) LH to (97) RH	1,374 (54.09)
(81) to (94) LH	632 (24.88)	(46) LH to (46) RH	1,052 (41.42)
(38) to (82) RH	2,178 (85.75)	(93) RH to (93) LH	1,099 (43.27)
(38) to (82) LH	2,419 (95.24)	(94) RH to (94) LH	1,257 (49.49)
(83) RH to (83) LH	930 (36.61)	(95) RH to (95) LH	1,115 (43.90)
(84) RH to (83) LH	1,216 (47.87)	(97) RH to (97) LH	830 (32.68)
(99) RH to (83) LH	1,246 (49.06)	(99) RH to (99) LH	1,370 (53.94)
(100) RH to (83) LH	991 (39.02)	(100) RH to (100) LH	1,020 (40.16)

Unit: mm (in)

DATUM DIMENSIONS

BODY STRUCTURE

MEMO: