

ENTERTAINMENT

ET

	Page
1. General Description	2
2. Radio System	3
3. Front Accessory Power Socket System	4
4. Radio	5
5. Front Speaker	6
6. Front Tweeter	7
7. Rear Speaker	8
8. Antenna	9
9. Front Accessory Power Socket	10
10. Rear Accessory Power Socket	11



GENERAL DESCRIPTION

ENTERTAINMENT

1. General Description

A: CAUTION

- Before disassembling or reassembling parts, always disconnect battery ground cable. When replacing radio, control module, and other parts provided with memory functions, record memory contents before disconnecting the battery ground cable. Otherwise, the memory will be erased.
- Reassemble in reverse order of disassembly, unless otherwise indicated.
- Adjust parts to the given specifications.
- Connect connectors and hoses securely during reassembly.
- After reassembly, make sure functional parts operate smoothly.

B: PREPARATION TOOL

1. GENERAL TOOLS

TOOL NAME	REMARKS
Circuit Tester	Used for measuring resistance and voltage.
Heat wire repairing agent (DUPONT NO. 4817 or equivalent)	Used for repairing antenna wire.

2. Radio System

A: SCHEMATIC

1. AUDIO SYSTEM

<Ref. to WI-64, SCHEMATIC, Audio System.>

B: INSPECTION

Symptom	Repair order
Display does not illuminate and no sound from speakers.	(1) Check fuse and power supply for radio. (2) Check radio ground. (3) Remove radio for repair.
No sound from specific speaker.	(1) Check speaker. (2) Check output circuit between radio and speaker.
Radio generates noise with engine running.	(1) Check radio ground. (2) Check generator. (3) Check ignition coil. (4) Remove radio for repair.
Weak signal or noisy sound when receiving AM and FM.	(1) Check antenna. (2) Check antenna amplifier. (3) Check radio ground. (4) Remove radio for repair.

3. Front Accessory Power Socket System

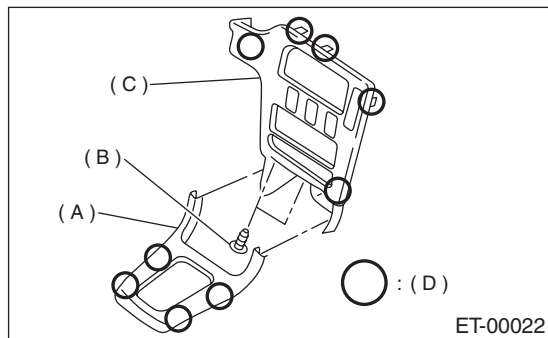
A: SCHEMATIC

<Ref. to WI-114, SCHEMATIC, Front Accessory
Power Supply System.>

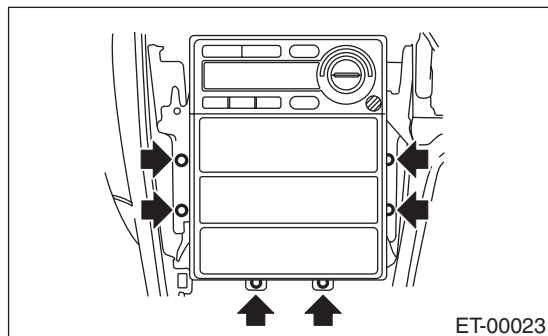
4. Radio

A: REMOVAL

- 1) Disconnect ground cable from battery.
- 2) Remove hook (D) and then remove front cover (A).
- 3) Remove two screws (B), then remove center panel (C) while disconnecting connector from front cover (A).



- 4) Remove fitting screws, and slightly pull radio out from center console.



- 5) Remove harness connectors and antenna feeder cord and then detach A/C control unit.

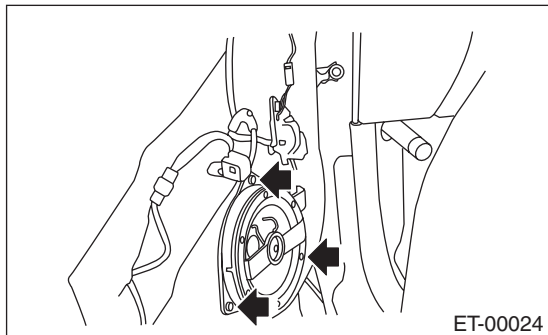
B: INSTALLATION

Install in the reverse order of removal.

5. Front Speaker

A: REMOVAL

- 1) Disconnect ground cable from battery.
- 2) Remove front door trim. <Ref. to EI-32, REMOVAL, Front Door Trim.>
- 3) Remove front speaker mounting screws.



- 4) Disconnect harness connector and remove front speaker.

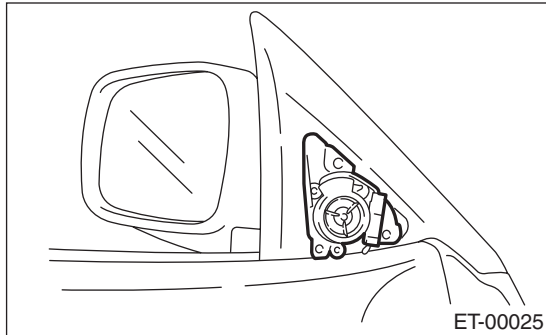
B: INSTALLATION

Install in the reverse order of removal.

6. Front Tweeter

A: REMOVAL

- 1) Disconnect ground cable from battery.
- 2) Remove gusset cover.



- 3) Disconnect harness connector and remove tweeter.

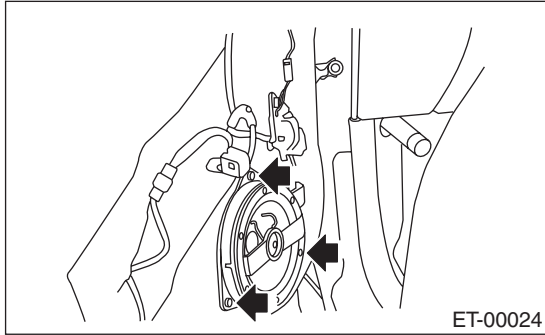
B: INSTALLATION

Install in the reverse order of removal.

7. Rear Speaker

A: REMOVAL

- 1) Disconnect ground cable from battery.
- 2) Remove rear door trim. <Ref. to EI-33, REMOVAL, Rear Door Trim.>
- 3) Remove rear speaker mounting screws.



- 4) Disconnect harness connector and remove rear speaker.

B: INSTALLATION

Install in the reverse order of removal.

8. Antenna

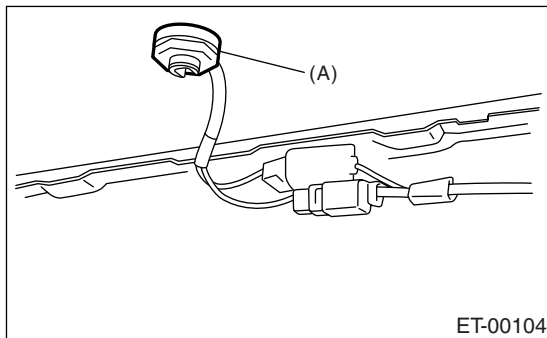
A: REMOVAL

1. PILLAR ANTENNA

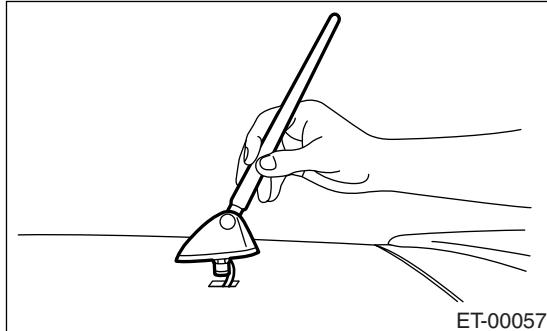
- 1) Remove the antenna plug located at the foot of the driver's seat.
- 2) Remove the mounting screws and detach the antenna.

2. ROOF ANTENNA

- 1) Remove the roof trim.
<Ref. to EI-44, REMOVAL, Roof Trim.>
- 2) Disconnect the harness connector, and remove the nut (A).



- 3) Pull the antenna out from roof.



B: INSTALLATION

Install in the reverse order of removal.

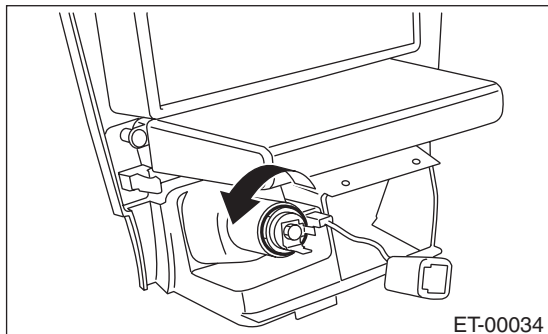
FRONT ACCESSORY POWER SOCKET

ENTERTAINMENT

9. Front Accessory Power Socket

A: REMOVAL

- 1) Disconnect ground cable from battery.
- 2) Remove center panel. <Ref. to ET-5, REMOVAL, Radio.>
- 3) Disconnect harness connectors and remove front accessory power socket.



B: INSTALLATION

Install in the reverse order of removal.

10.Rear Accessory Power Socket

A: REMOVAL

- 1) Disconnect ground cable from battery.
- 2) Remove console box. <Ref. to EI-36, REMOVAL, Console Box.>
- 3) Disconnect harness connectors and remove rear accessory power socket from console box.

B: INSTALLATION

Install in the reverse order of removal.

REAR ACCESSORY POWER SOCKET

ENTERTAINMENT

MEMO: