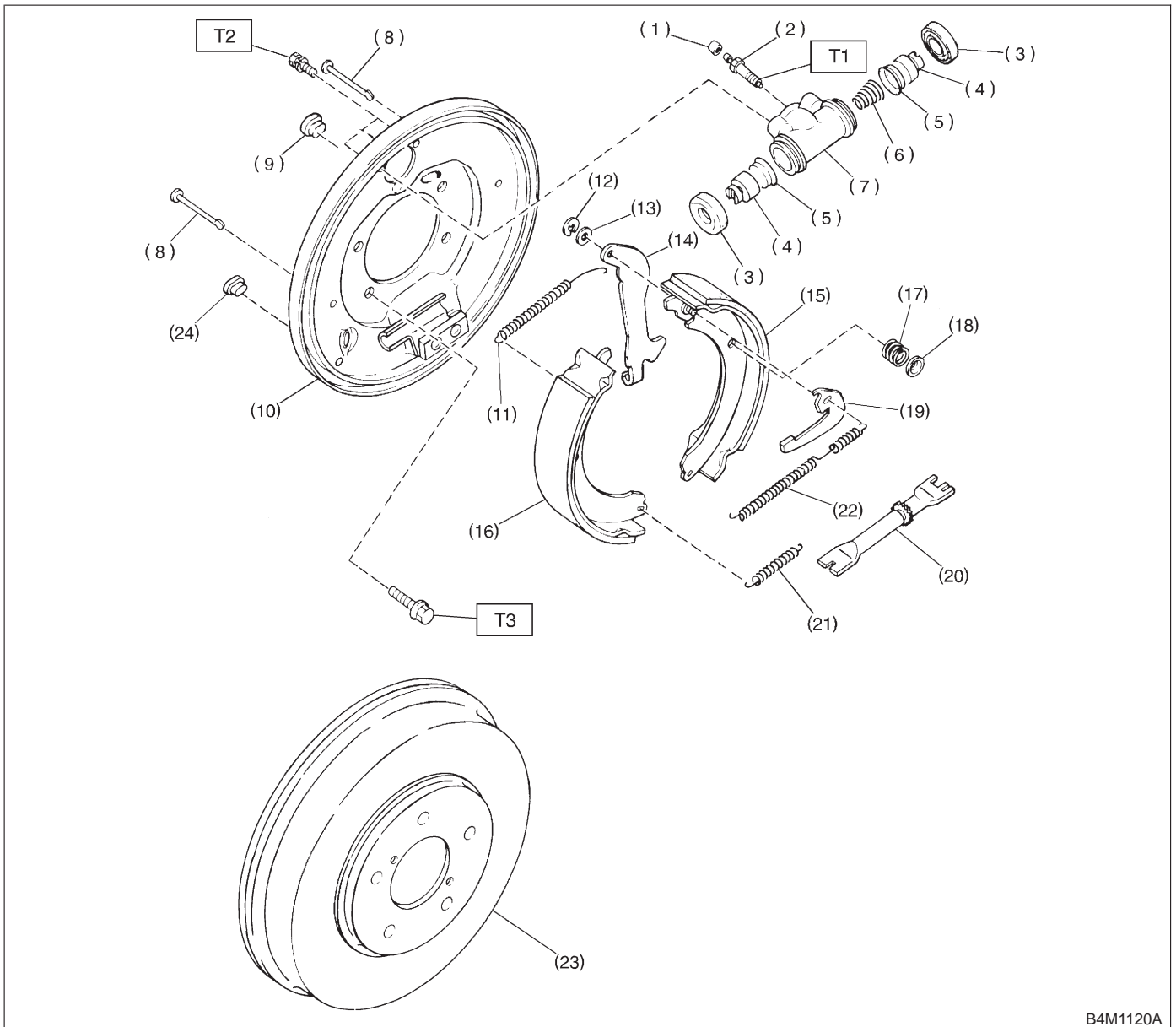


3. Rear Drum Brake



B4M1120A

- (1) Air bleeder cap
- (2) Air bleeder screw
- (3) Boot
- (4) Piston
- (5) Cup
- (6) Spring
- (7) Wheel cylinder body
- (8) Pin
- (9) Plug
- (10) Back plate

- (11) Upper shoe return spring
- (12) Retainer
- (13) Washer
- (14) Parking brake lever
- (15) Brake shoe (Trailing)
- (16) Brake shoe (Leading)
- (17) Shoe hold-down spring
- (18) Cup
- (19) Adjusting lever
- (20) Adjuster

- (21) Lower shoe return spring
- (22) Adjusting spring
- (23) Drum
- (24) Plug

Tightening torque: N-m (kg-m, ft-lb)

T1: 8±1 (0.8±0.1, 5.8±0.7)

T2: 10±2 (1.0±0.2, 7.2±1.4)

T3: 52±6 (5.3±0.6, 38.3±4.3)