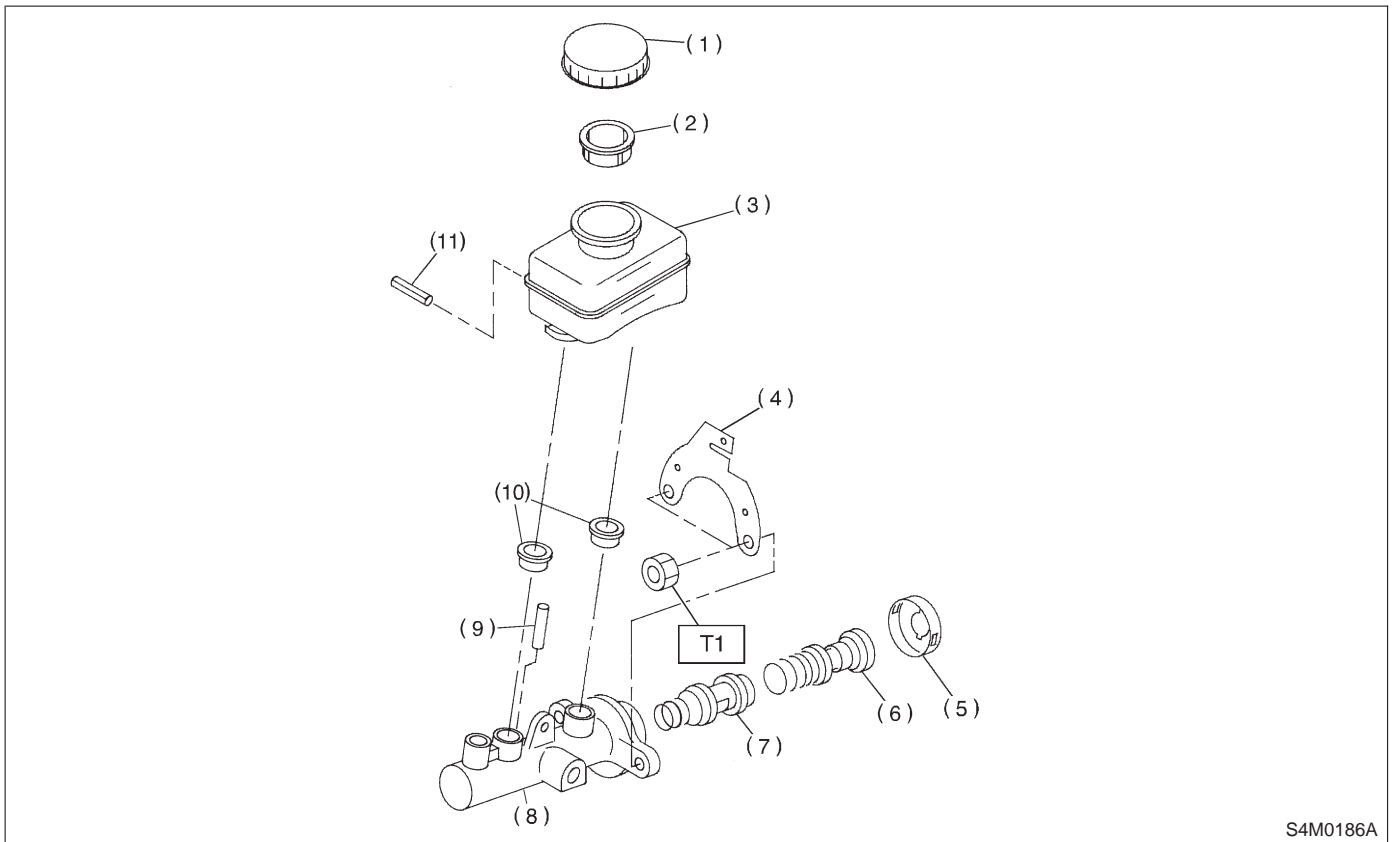


4. Master Cylinder



S4M0186A

- | | | |
|---------------------|-----------------------------|----------|
| (1) Cap | (6) Primary piston | (11) Pin |
| (2) Filter | (7) Secondary piston | |
| (3) Reservoir tank | (8) Cylinder body | |
| (4) Bracket | (9) Cylinder pin (With ABS) | |
| (5) Piston retainer | (10) Seal | |

Tightening torque: N·m (kg·m, ft·lb)
T1: 14±4 (1.4±0.4, 10.1±2.9)