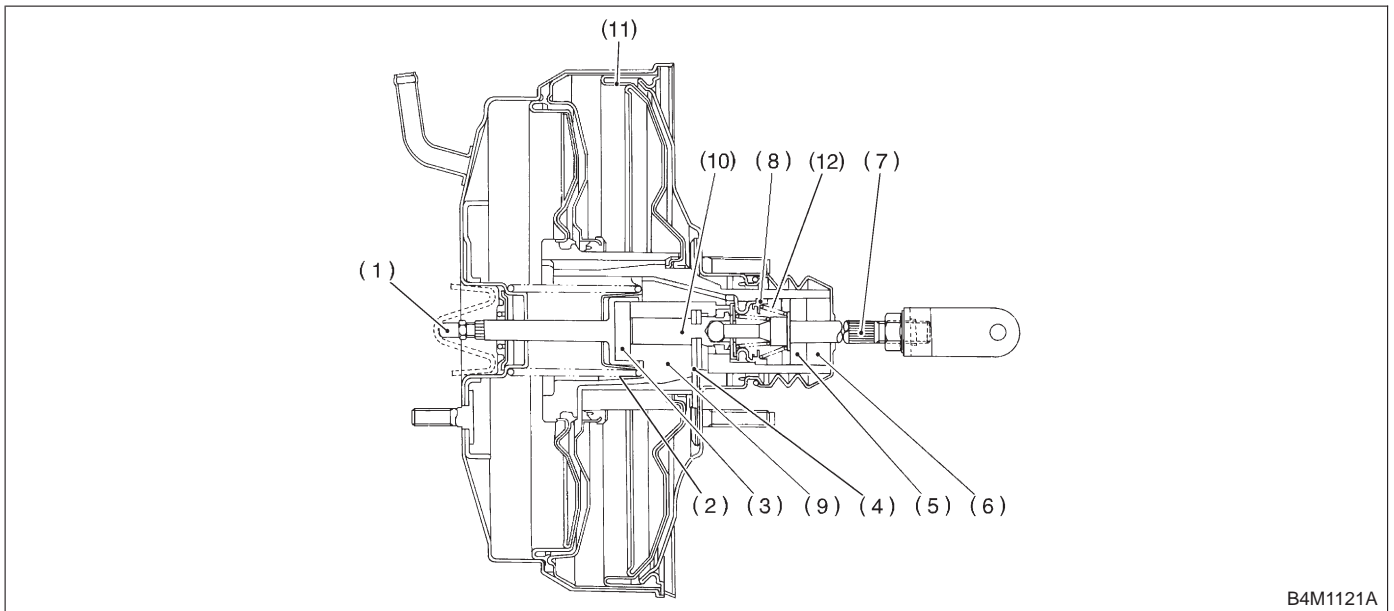


5. Brake Booster



- |                   |                   |                          |
|-------------------|-------------------|--------------------------|
| (1) Push rod      | (5) Filter        | (9) Valve body           |
| (2) Return spring | (6) Silencer      | (10) Plunger valve       |
| (3) Reaction disc | (7) Operating rod | (11) Diaphragm plate     |
| (4) Key           | (8) Poppet valve  | (12) Valve return spring |