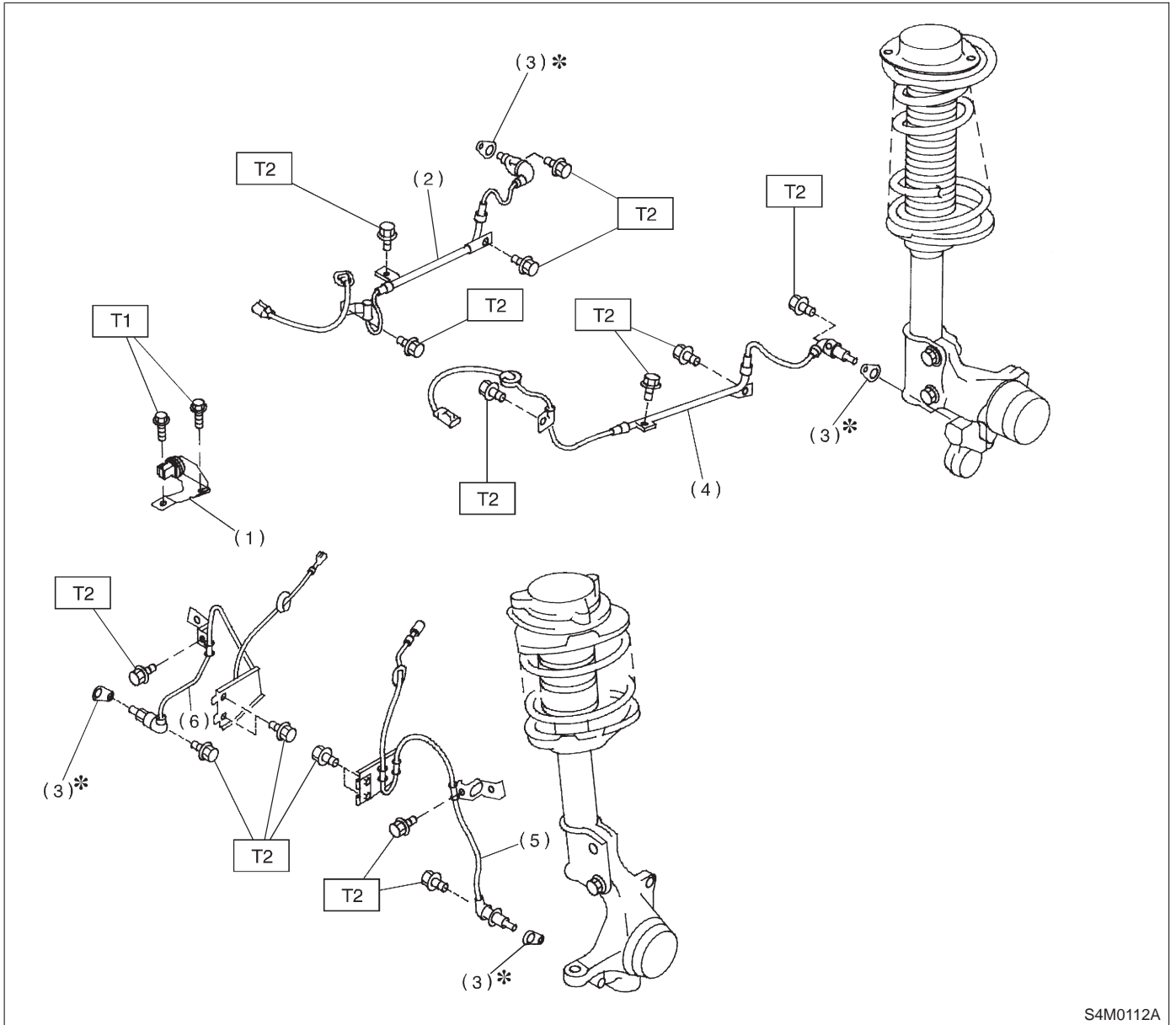


6. ABS System

A: SENSOR



S4M0112A

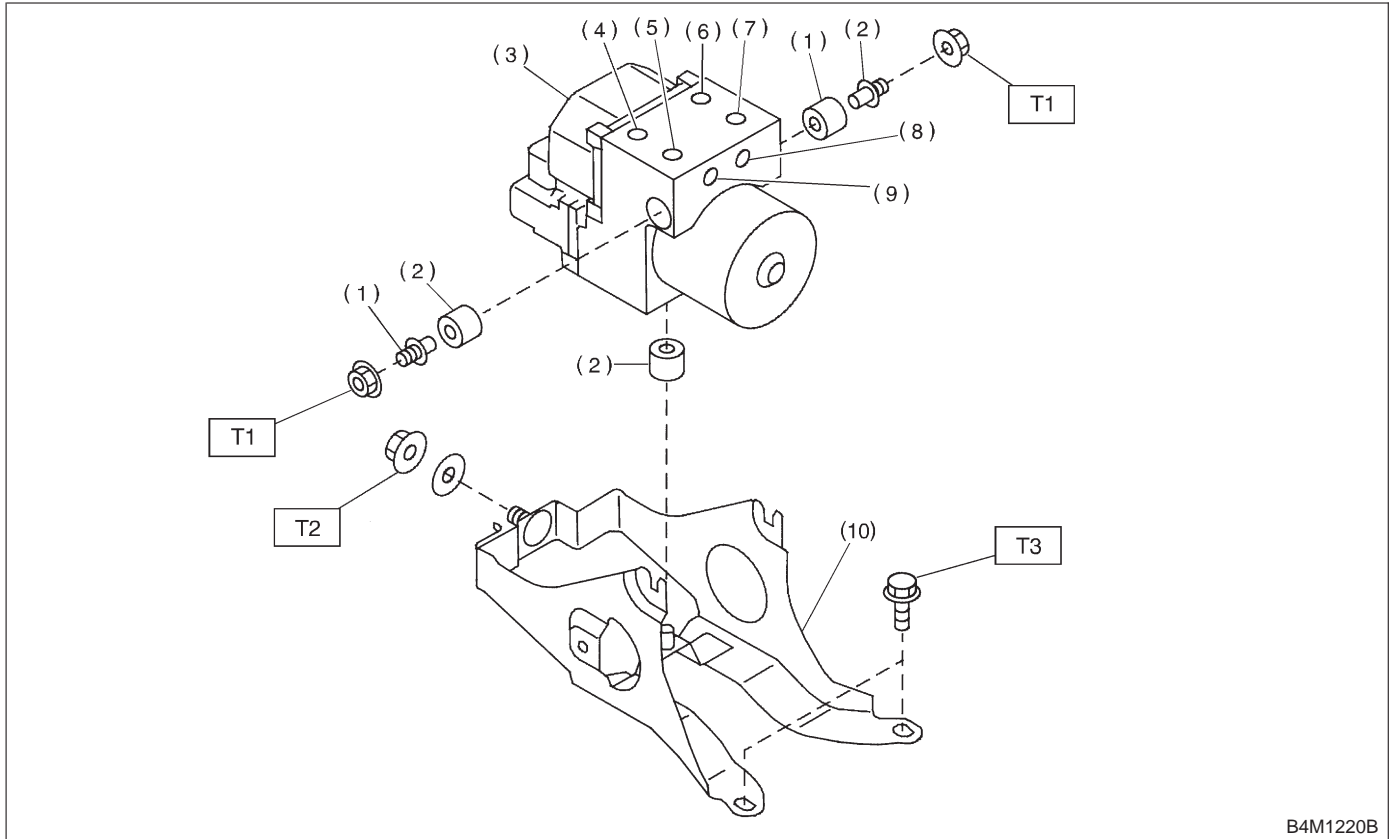
- (1) G sensor
- (2) Rear ABS sensor RH
- (3) ABS spacer
- (4) Rear ABS sensor LH
- (5) Front ABS sensor LH
- (6) Front ABS sensor RH

**Tightening torque: N·m (kg·m, ft·lb)**

**T1: 7.4±2.0 (0.75±0.2, 5.4±1.4)**

**T2: 32±10 (3.3±1.0, 24±7)**

**B: ABS CONTROL MODULE AND HYDRAULIC CONTROL UNIT (ABSCM&H/U)**



B4M1220B

- (1) Stud bolt
- (2) Damper
- (3) ABS control module and hydraulic control unit
- (4) Front-LH outlet
- (5) Secondary inlet

- (6) Front-RH outlet
- (7) Primary inlet
- (8) Rear-LH outlet
- (9) Rear-RH outlet
- (10) Bracket

**Tightening torque: N·m (kg·m, ft·lb)**

**T1: 18±5 (1.8±0.5, 13.0±3.6)**

**T2: 29±7 (3.0±0.7, 21.7±5.1)**

**T3: 32±10 (3.3±1.0, 24±7)**