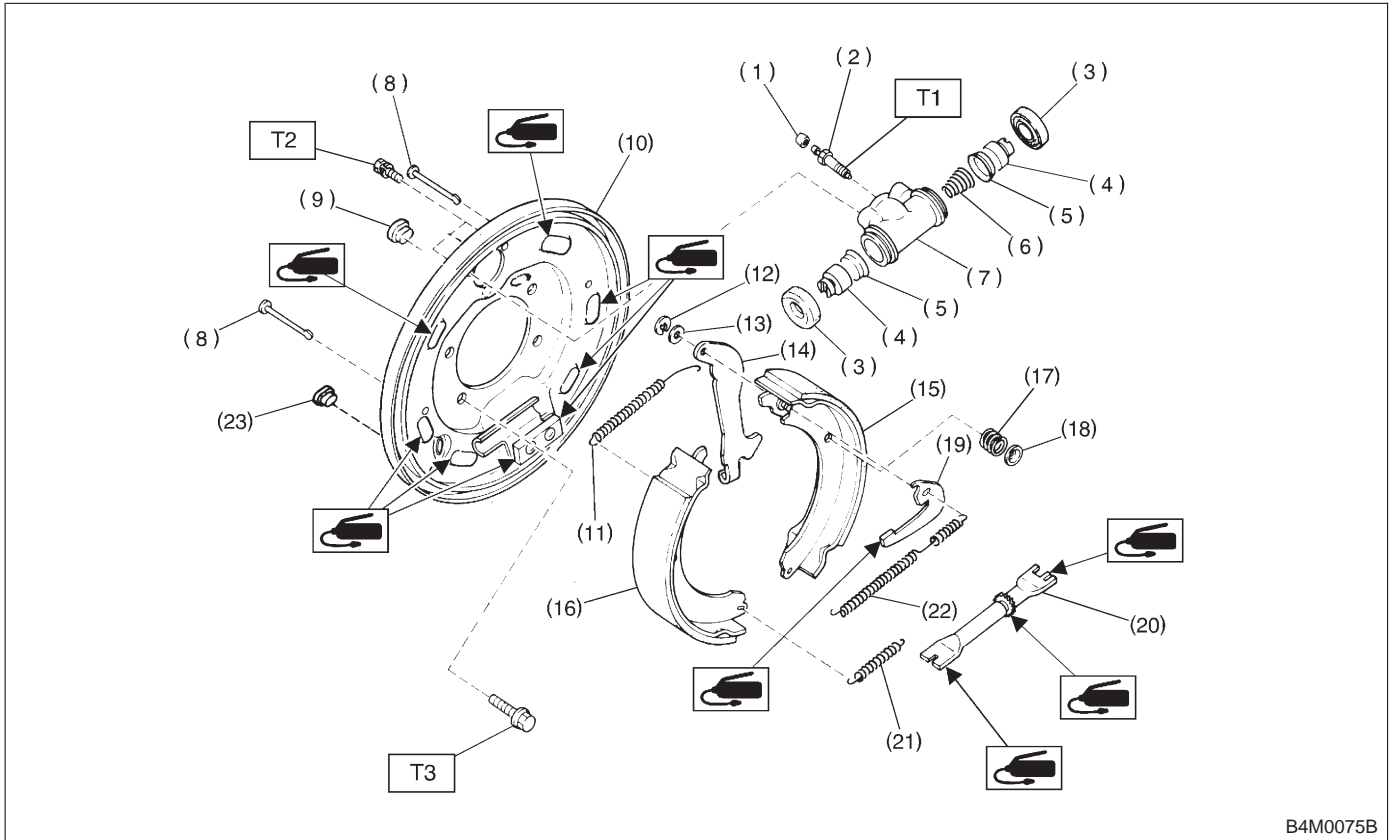


3. Rear Drum Brake

A: REMOVAL



B4M0075B

- | | | |
|-------------------------|-------------------------------|-------------------------------|
| (1) Air bleeder cap | (11) Upper shoe return spring | (21) Lower shoe return spring |
| (2) Air bleeder screw | (12) Retainer | (22) Adjusting spring |
| (3) Boot | (13) Washer | (23) Plug |
| (4) Piston | (14) Parking brake lever | |
| (5) Cup | (15) Brake shoe (Trailing) | |
| (6) Spring | (16) Brake shoe (Leading) | |
| (7) Wheel cylinder body | (17) Shoe hold-down spring | |
| (8) Pin | (18) Cup | |
| (9) Plug | (19) Adjusting lever | |
| (10) Back plate | (20) Adjuster | |

Tightening torque: N-m (kg-m, ft-lb)

T1: 8±1 (0.8±0.1, 5.8±0.7)

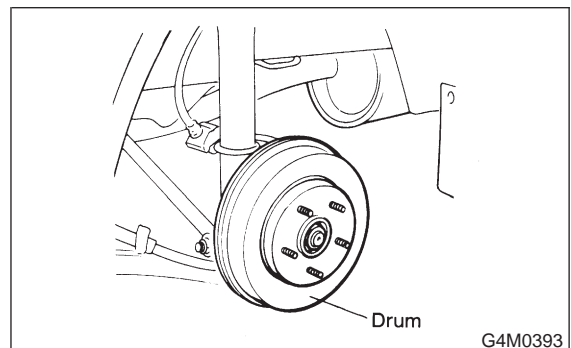
T2: 10±2 (1.0±0.2, 7.2±1.4)

T3: 52±6 (5.3±0.6, 38.3±4.3)

1. BRAKE DRUM AND SHOE

- 1) Loosen wheel nuts, jack-up vehicle, support it with rigid racks, and remove wheel.
- 2) Release parking brake.

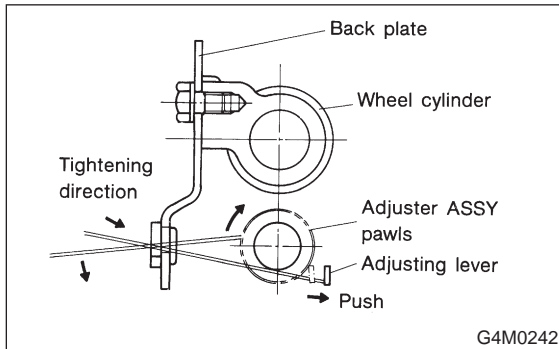
- 3) Remove brake drum from brake assembly.



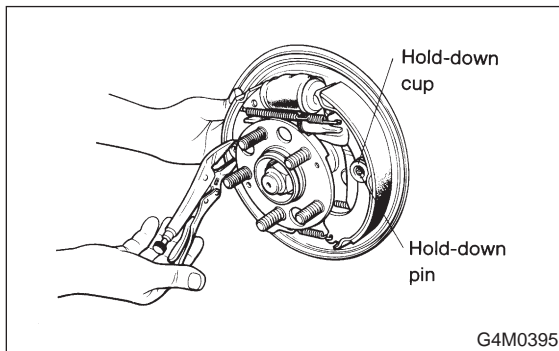
G4M0393

NOTE:

If it is difficult to remove brake drum, remove adjusting hole cover from back plate, and then, turn adjuster assembly pawls using a slot-type screwdriver until brake shoe separates from the drum.

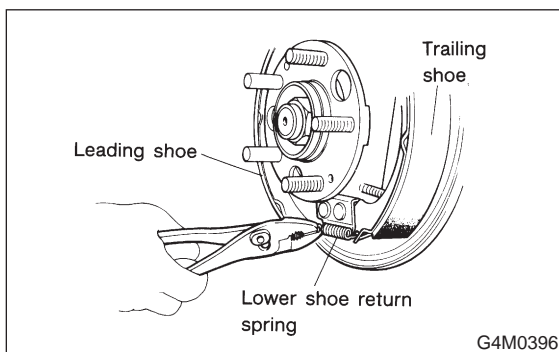


4) Hold hold-down pin by securing rear of back plate with your hand.



5) Disconnect hold-down cup from hold-down pin by rotating hold-down cup.

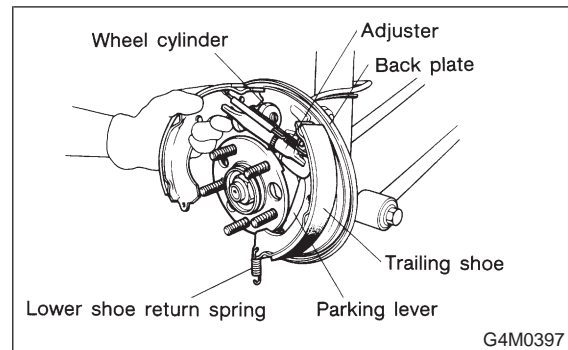
6) Disconnect lower shoe return spring from shoes.



7) Remove shoes one by one from back plate with adjuster.

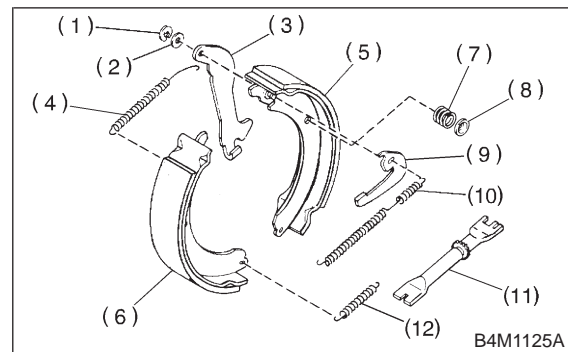
CAUTION:

Be careful not to bend parking brake cable excessively when removing brake shoes.



8) Disconnect parking brake cable from parking lever.

9) Remove the following:



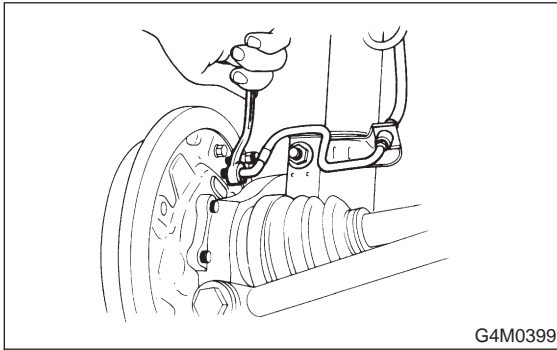
- (1) Retainer
- (2) Washer
- (3) Parking lever
- (4) Upper shoe return spring
- (5) Trailing shoe
- (6) Leading shoe
- (7) Shoe hold-down spring
- (8) Shoe hold-down cup
- (9) Adjusting lever
- (10) Adjusting spring
- (11) Adjuster
- (12) Lower shoe return spring

2. BRAKE ASSEMBLY

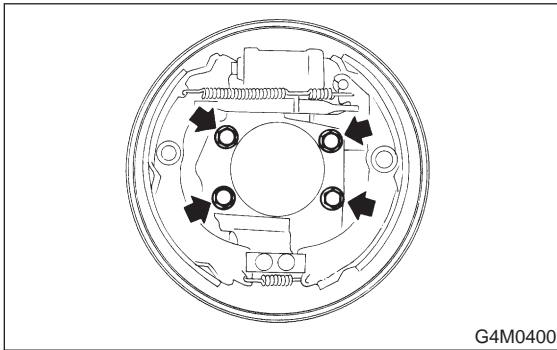
- 1) Remove wheel.
- 2) Remove axle nut.
- 3) Remove brake drum.

3. Rear Drum Brake

- 4) Unscrew the brake pipe flare nut and disconnect brake pipe.

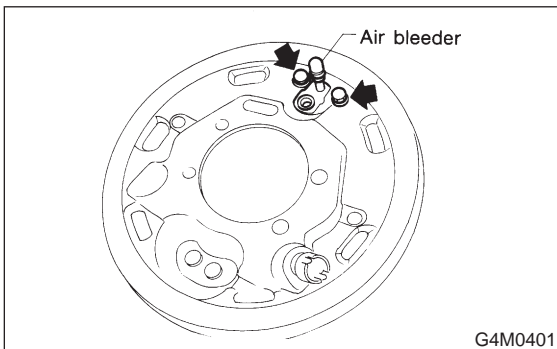


- 5) Remove hub. <Ref. to 4-2 [W2A0].>
6) Remove the bolts installing back plate, and then, remove brake assembly.



3. WHEEL CYLINDER

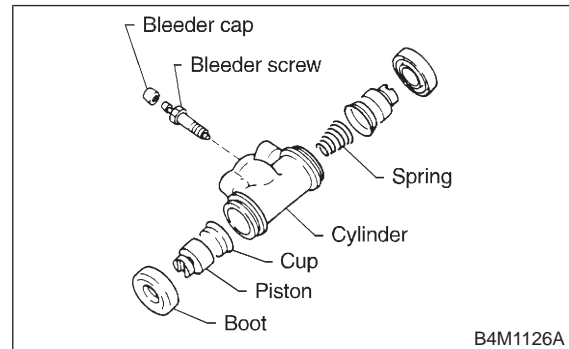
- 1) Remove brake drum and shoes.
2) Unscrew brake pipe flare nut; and disconnect brake pipe.
3) Remove the bolts installing wheel cylinder on back plate, and remove it.



B: DISASSEMBLY

1. WHEEL CYLINDER

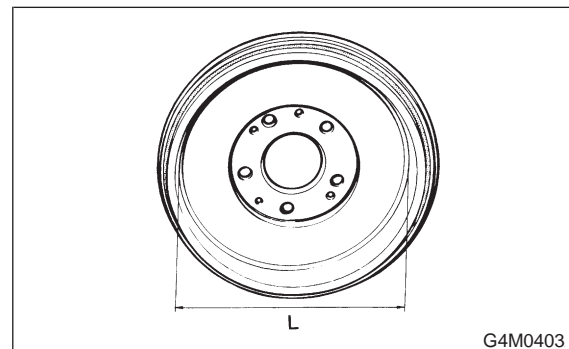
- 1) Remove right and left dust boots from wheel cylinder.



- 2) Remove piston, cup, spring and air bleeder screw and cap.

C: INSPECTION

- 1) If the inside surface of brake drum is streaked, correct the surface. And, if it is unevenly worn, taperingly streaked, or the outside surface of brake drum is damaged, correct or replace it.
2) Measure the drum inner diameter.

Drum inner diameter: "L"**Standard****228.6 mm (9 in)****Service limit****230.6 mm (9.08 in)**

- 3) Measure the lining thickness.

Lining thickness:**Standard****4.1 mm (0.161 in)****Service limit****1.5 mm (0.059 in)**

- 4) If the deformation or wear of back plate, shoe, etc. are notable, replace them.
5) When the shoe return spring tension is excessively weakened, replace it, taking care to identify upper and lower springs.

D: ASSEMBLY

1. WHEEL CYLINDER

- 1) Clean all parts in brake fluid. Check and replace faulty parts.
 - Cup and boot for damage or fatigue
 - Cylinder, piston and spring or damage or rust formation
- 2) Assembly is the reverse order of disassembly.
 - (1) When installing the cup, use ST, apply brake fluid to the frictional surface for smooth installation and pay attention to cup direction.
 - (2) STs are available in different sizes.

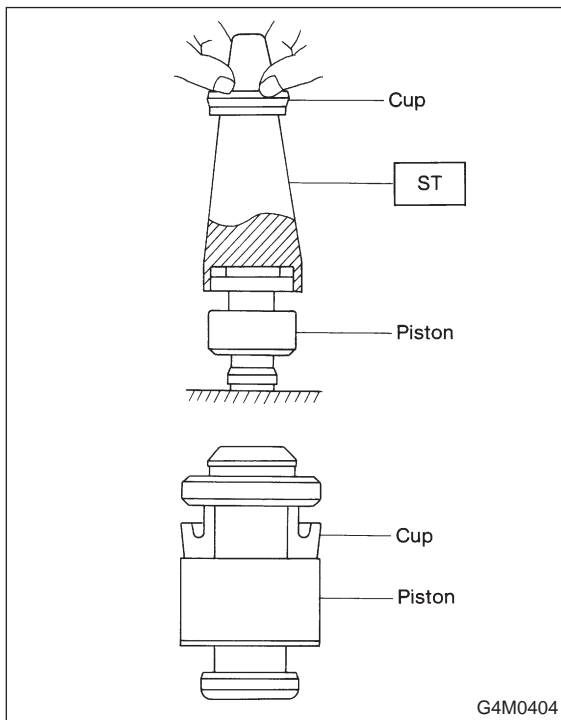
CAUTION:

- When replacing the repair kit, make sure that the sizes of cylinder and cup are the same as those which were replaced.
- Use only the tool of the correct size.

ST: ADAPTER	
Applicable size	Part No.
19.05 mm (3/4 in)	926460000

CAUTION:

While assembling, be careful to prevent any metal chip, dust or dirt from entering the wheel cylinder.



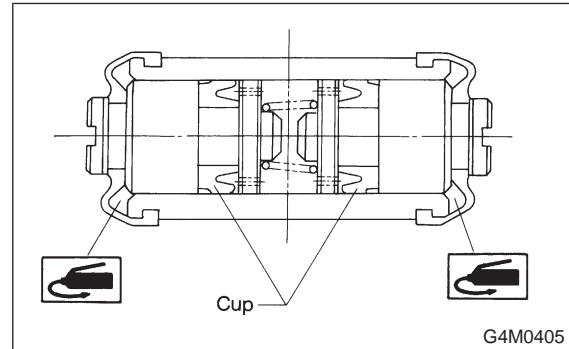
- 3) Apply rubber grease to the boot inside as shown in Figure.

Grease:

NIGLUBE RX-2 (Part No. 003606000)

CAUTION:

Never use brake grease.



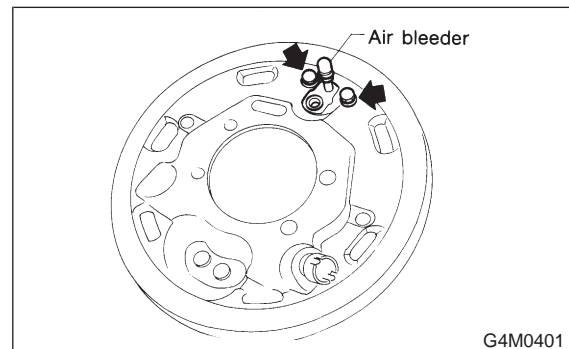
E: INSTALLATION

1. WHEEL CYLINDER

Install wheel cylinder on back plate, and tighten bolts.

Tightening torque:

10±2 N·m (1.0±0.2 kg·m, 7.2±1.4 ft·lb)



2. BRAKE DRUM AND SHOE

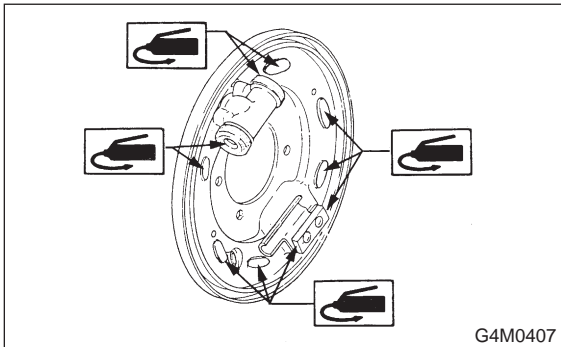
- 1) Clean back plate and wheel cylinder.

3. Rear Drum Brake

2) Apply grease to portions indicated by arrows in Figure.

Brake grease:

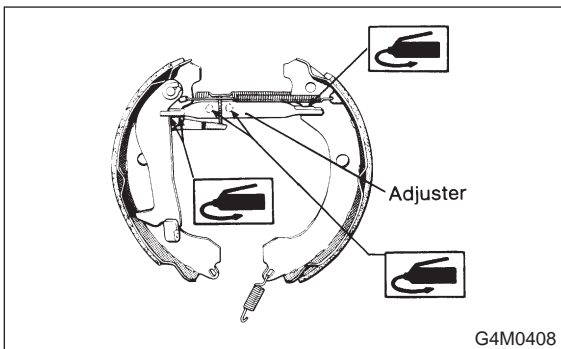
Dow Corning Molykote No. 7439 (Part No. 725191460)



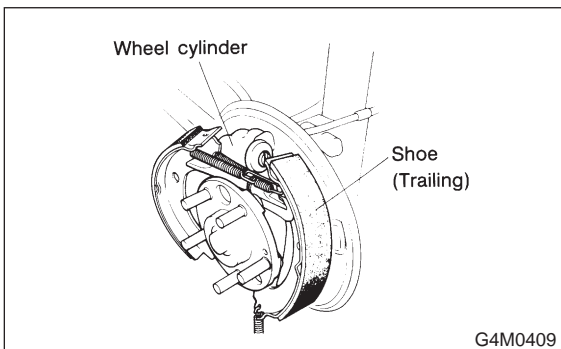
3) Apply grease to adjusting screw and both ends of adjuster.

Brake grease:

Dow Corning Molykote No. 7439 (Part No. 725191460)



4) Connect upper shoe return spring to shoes.
5) While positioning shoes (one at a time) in groove on wheel cylinder, secure shoes.



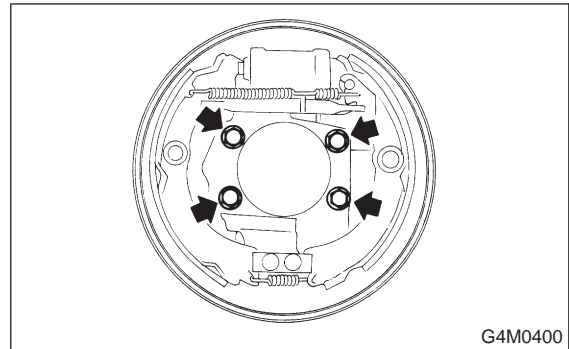
6) Connect lower shoe return spring.
7) Fix shoes by connecting hold-down cup to hold-down pin.

3. BRAKE ASSEMBLY

1) Install brake assembly on housing, and tighten bolts to install back plate.

Tightening torque:

52 ± 6 N·m (5.3 ± 0.6 kg·m, 38.3 ± 4.3 ft·lb)



2) Install hub. <Ref. to 4-2 [W2D0].>
3) Connect brake pipe, and tighten brake pipe flange nut.

Tightening torque:

$15^{+3}/_{-2}$ N·m ($1.5^{+0.3}/_{-0.2}$ kg·m, $10.8^{+2.2}/_{-1.4}$ ft·lb)

4) Set the outside diameter of brake shoes less than 0.5 to 0.8 mm (0.020 to 0.031 in) in comparison with the inside diameter of brake drum.
5) Install brake drum.
6) After installing brake assembly, bleed air from brake line.