

**Tightening torque (Bleeder screw):**  
 **$8 \pm 1 \text{ N}\cdot\text{m}$  ( $0.8 \pm 0.1 \text{ kg}\cdot\text{m}$ ,  $5.8 \pm 0.7 \text{ ft}\cdot\text{lb}$ )**

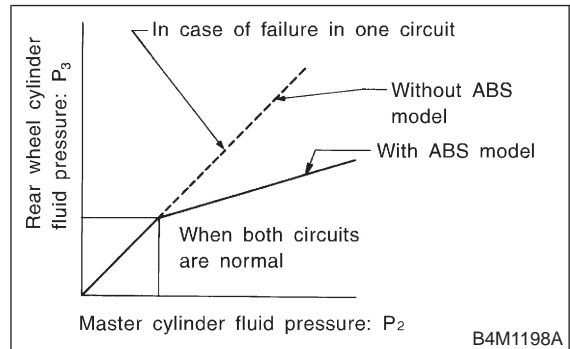
- 10) Bleed air from each wheel cylinder using the same procedures as described in before.
- 11) Depress brake pedal with a force of approximately 294 N (30 kg, 66 lb) and hold it there for approximately 20 seconds. At this time check pedal to see if it shows any unusual movement. Visually inspect bleeder screws and brake pipe joints to make sure that there is no fluid leakage.
- 12) Install wheels, and drive vehicle for a short distance between 2 to 3 km (1 to 2 miles) to make sure that brakes are operating properly.

## 12. Proportioning Valve

### A: INSPECTION

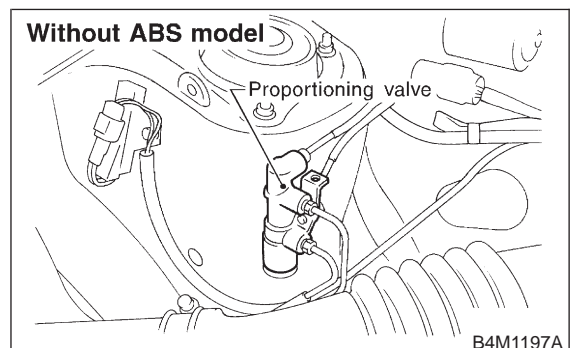
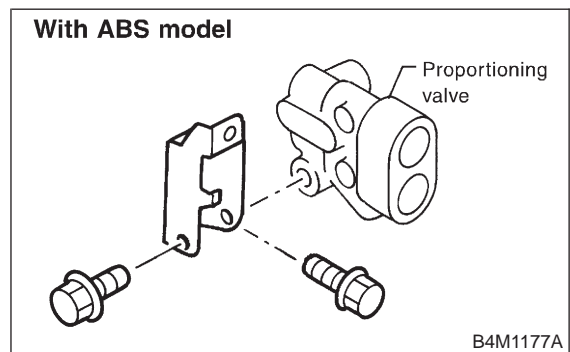
- 1) Install the oil pressure gauges to measure the master cylinder fluid pressure (front wheel brake fluid pressure) and rear wheel cylinder fluid pressure.
- 2) Bleed air from the oil pressure gauges.
- 3) Check the master cylinder fluid pressure and rear wheel cylinder fluid pressure.

The standard values are shown in Figure.



- 4) For the oil pressure in case of split point, refer to SPECIFICATIONS. <Ref. to 4-4 [S1A0].>

### B: REMOVAL



- 1) Remove brake pipe from proportioning valve at four places.
- 2) Remove proportioning valve from its bracket.

**CAUTION:**

Do not disassemble or adjust the proportioning valve. (The proportioning valve must be replaced as an assembly.)

**C: INSTALLATION**

- 1) Install proportioning valve to bracket.
- 2) Connect brake pipes correctly to proportioning valve.
- 3) Bleed air, then check each joint of brake pipe for oil leaks.

**Tightening torque:**

**Proportioning valve to brake pipe flare nut:**  
 $15^{+3}_{-2}$  N·m ( $1.5^{+0.3}_{-0.2}$  kg·m,  $10.8^{+2.2}_{-1.4}$  ft·lb)

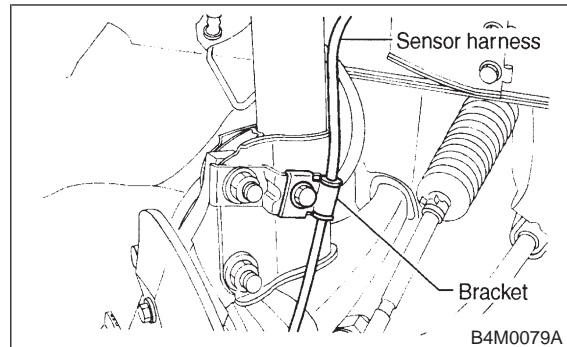
**Proportioning valve to bracket:**  
 $18 \pm 5$  N·m ( $1.8 \pm 0.5$  kg·m,  $13.0 \pm 3.6$  ft·lb)

**13. ABS Sensor**

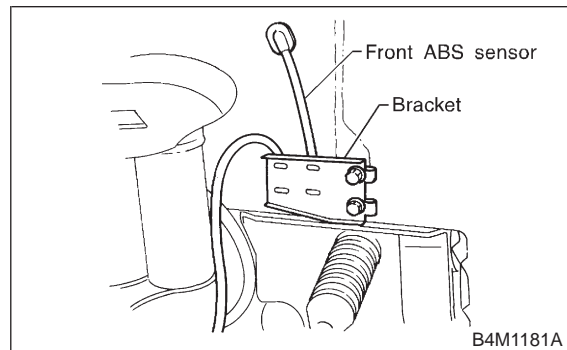
**A: REMOVAL**

**1. FRONT ABS SENSOR**

- 1) Disconnect front ABS sensor connector located in engine compartment.
- 2) Remove bolts which secure sensor harness to strut.



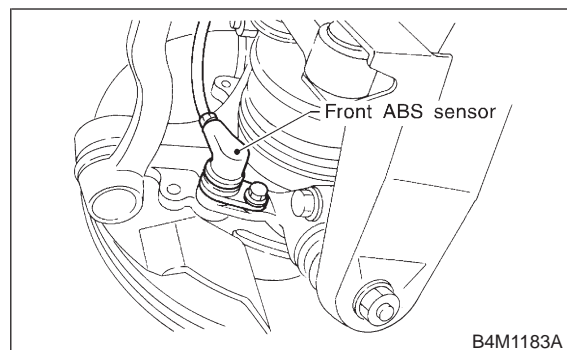
- 3) Remove bolts which secure sensor harness to body.



- 4) Remove bolts which secure front ABS sensor to housing, and remove front ABS sensor.

**CAUTION:**

- Be careful not to damage pole piece located at tip of the sensor and teeth faces during removal.
- Do not pull sensor harness during removal.



- 5) Remove front disc brake caliper and disc rotor from housing after removing front tire.